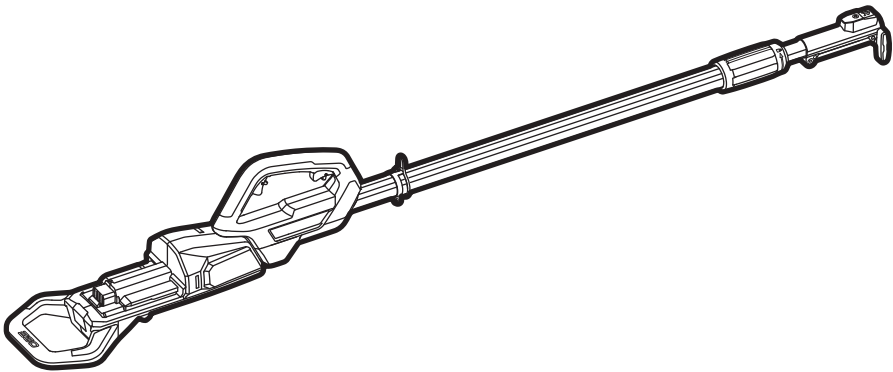


# EGO™

## POWER<sup>+</sup> TELESCOPIC POLE SERIES

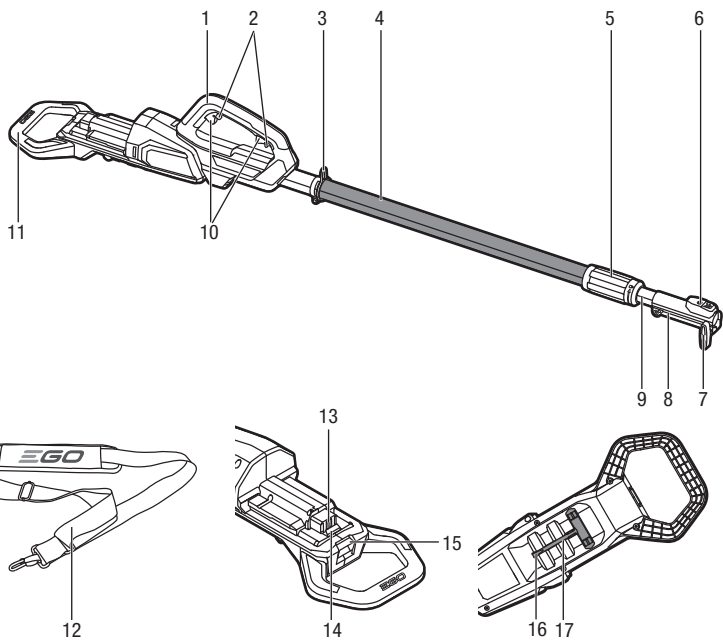
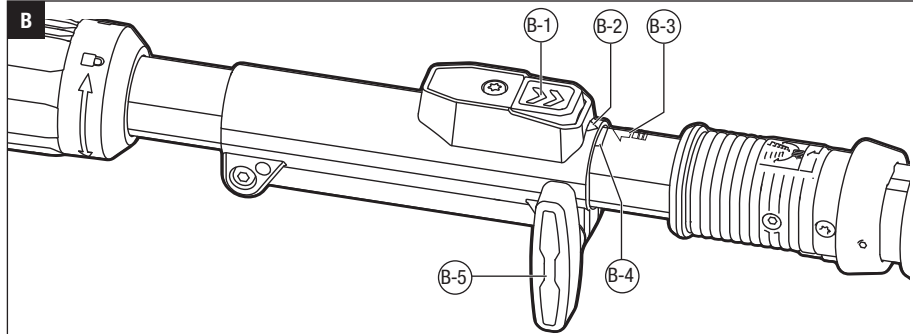
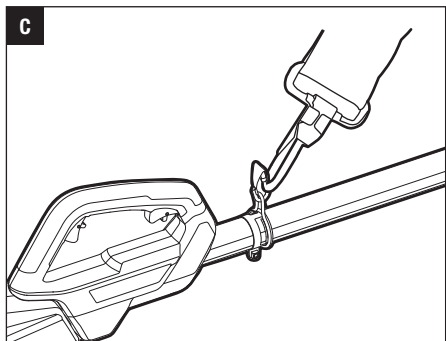
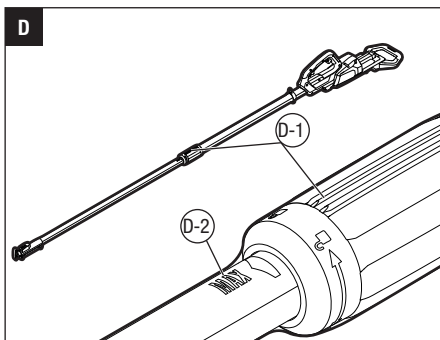


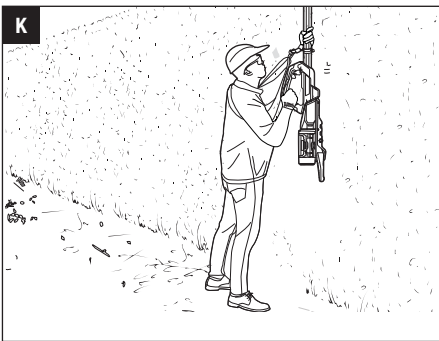
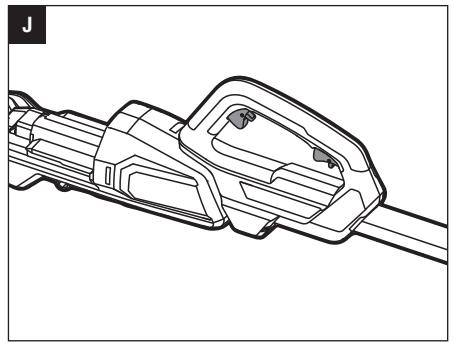
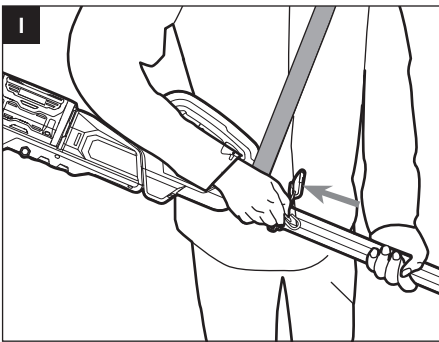
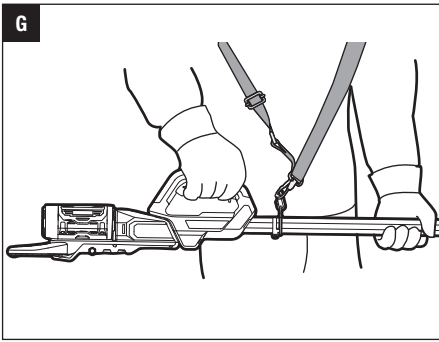
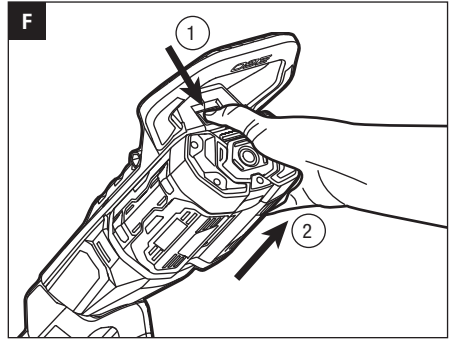
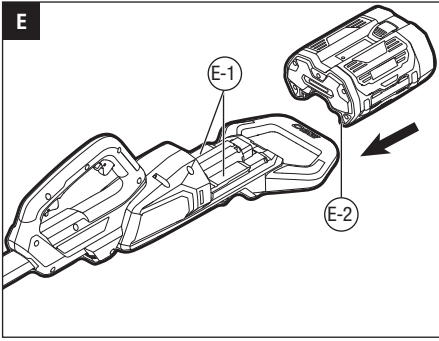
OPERATOR'S MANUAL

## 56-VOLT LITHIUM-ION TELESCOPIC POWER POLE

MODEL NUMBER PPX1000

EN	56-Volt telescopic power pole	4	SL	Teleskopska napajalna palica s 56 volti	108
DE	Ausziehbare 56-v-antriebswelle	10	LT	56 voltų elektrinė galvutė su sustumiamu kotu	114
FR	Taille-haie télescopique 56 volts	16	LV	56 voltu teleskopiskā pagarinājuma instrumentgalva	120
ES	Conjunto de motor telescópico de 56 voltios	22	GR	Τηλεσκοπικό κοντάρι ισχύος 56 volt	126
PT	Haste telescópica eléctrica de 56 volts	28	TR	56-Volt elektrikli teleskobik sap	133
IT	Asta motore telescopica da 56 volt	34	ET	56-voldine teleskoptoittepea	139
NL	56 Volt telescopische elektrische paal	40	UK	56-вольтна телескопічна приводна штанга	145
DK	56 V strømforsynet teleskopstang	46	BG	56-Волта литиево-йонна безкабелна захранваща глава	151
SE	56-Volt teleskopmotorenhet	51	HR	Teleskopski pogonski štap od 56 V	158
FI	56 voltin avulla varustettu teleskooppivarsi	57	KA	56 ვოლტზე მომუშავე ტელესკოპური ელექტრული ძეგლი	164
NO	56-volts teleskopisk kraftstolpe	63	SR	Teleskopska pogonska šipka od 56 Volti	173
RU	Телескопический приводной блок 56 В	69	BS	Teleskopska pogonska šipka 56 V	179
PL	Teleskopowy drążek zasilający 56 woltów	76	HE	טוט מתח 56 וולט	185
CZ	56 voltová teleskopická pohonná tyč	83	AR	رأس طاقة لاسلكي بطارية ليثيوم-أيون 56 فولت	190
SK	56-Voltová teleskopická pohonná tyč	89			
HU	56 V-os teleszköpos meghajtófej	95			
RO	Tijă de alimentare telescopică de 56 volți	102			

**A****B****C****D**



## EN READ ALL INSTRUCTIONS!



### READ OPERATOR'S MANUAL

**⚠ Residual risk!** People with electronic devices, such as pacemakers, should consult their physician(s) before using this product. Operation of electrical equipment in close proximity to a heart pacemaker could cause interference or failure of the pacemaker.

**⚠ WARNING:** To ensure safety and reliability, all repairs and replacements should be performed by a qualified service technician.

## SAFETY SYMBOLS

The purpose of safety symbols is to attract your attention to possible dangers. The safety symbols and the explanations with them deserve your careful attention and understanding. The symbol warnings do not, by themselves, eliminate any danger. The instructions and warnings they give are no substitutes for proper accident prevention measures.

**⚠ WARNING:** Be sure to read and understand all safety instructions in this Operator's Manual, including all safety alert symbols such as "DANGER," "WARNING," and "CAUTION" before using this tool. Failure to follow all instructions listed below may result in electric shock, fire, and/or serious personal injury.

## SYMBOL MEANING



**⚠ WARNING:** The operation of any power tools can result in foreign objects being thrown into your eyes, which can result in severe eye damage. Before beginning power tool operation, always wear safety goggles or safety glasses with side shields and a full face shield when needed. We recommend a Wide Vision Safety Mask for use over eyeglasses or standard safety glasses with side shields.

## SAFETY INSTRUCTIONS

This page depicts and describes safety symbols that may appear on this product. Read, understand, and follow all instructions on the machine before attempting to assemble and operate it.

	Safety Alert	Indicates a potential personal injury hazard.
	Read operator's manual	To reduce the risk of injury, user must read and Understand operator's manual before using this product.
	Wear Eye Protection	Always wear safety goggles or safety glasses with side shields and a full face shield when operating this product.
	CE	This product is in accordance with applicable EC directives.
	WEEE	Waste electrical products should not be disposed of with household waste. Take to an authorized recycler.
	Do Not Expose To Rain	Do not use in the rain or leave outdoors while it is raining.
IPX5	IP Symbol	Protection against ingress of water degree 5
V	Volt	Voltage
mm	Millimeter	Length or size
cm	Centimeter	Length or size
kg	Kilogram	Weight
	Direct Current	Type or a characteristic of current

**⚠ WARNING:** Read all safety warnings designated by the symbol and all instructions.

**Save all warnings and instructions for future EN reference.**

The term "power tool" in the warnings refers to your mains-operated (corded) power tool or battery-operated (cordless) power tool.

**⚠ General Power Tool Safety Warnings –Working area safety.**

- **Keep work area clean and well lit. Cluttered or dark areas invite accidents.**
- **Do not operate power tools in explosive atmospheres, such as in the presence of flammable liquids, petrol or dust.** Power tools create sparks which may ignite the dust or fumes.
- **Keep children and bystanders away while operating a power tool.** Distractions can cause you to lose control.

**⚠ General Power Tool Safety Warnings – Electrical safety.**

- **Power tool plugs must match the outlet. Never modify the plug in anyway. Do not use any adaptor plugs with earthed (grounded) power tools.** Unmodified plugs and matching outlets will reduce risk of electric shock.
- **Avoid body contact with earthed or grounded surfaces, such as pipes, radiators, ranges and refrigerators.** There is an increased risk of electric shock if your body is earthed or grounded.
- **Do not expose power tools to rain or wet conditions.** Water entering a power tool will increase the risk of electric shock.
- **Do not abuse the cord. Never use the cord for carrying, pulling or unplugging the power tool. Keep cord away from heat, oil, sharp edges or moving parts.** Damaged or entangled cords increase the risk of electric shock.
- **When operating a power tool outdoors, use an extension cord suitable for outdoor use.** Use of a cord suitable for outdoor use reduces the risk of electric shock.
- **If operating a power tool in a damp location is unavoidable, use a Ground-fault circuit interrupter protected supply.** Use of GFCI reduces the risk of electric shock.

**⚠ General Power Tool Safety Warnings – Personal Safety.**

- **Stay alert, watch what you are doing and use common sense when operating a power tool. Do not use a power tool while you are tired or under the influence of drugs, alcohol, or medication.** A moment of inattention while operating power tools may result in serious personal injury.
- **Use personal protective equipment. Always wear eye protection.** Protective equipment such as dust

mask, non-skid safety shoes, hard hat, or hearing protection used for appropriate conditions will reduce personal injuries.

- **Prevent unintentional starting. Ensure the switch is in the off-position before connecting to power source and/or battery pack, picking up or carrying the tool.** Carrying power tools with your finger on the switch or energizing power tools that have the switch on invites accidents.
- **Remove any adjusting key or wrench before turning the power tool on.** A wrench or a key left attached to a rotating part of the power tool may result in personal injury.
- **Do not overreach. Keep proper footing and balance at all times.** This enables better control of the power tool in unexpected situations.
- **Dress properly. Do not wear loose clothing or jewelry. Keep your hair, clothing and gloves away from moving parts.** Loose clothes, jewelry or long hair can be caught in moving parts.
- **If devices are provided for the connection of dust extraction and collection facilities, ensure these are connected and properly used.** Use of dust devices can reduce dust-related hazards.
- **Do not let familiarity gained from frequent use of tools allow you to become complacent and ignore tool safety principles.** A careless action can cause severe injury within a fraction of a second.

**⚠ General Power Tool Safety Warnings –Power Tool Use And Care.**

- **Do not force the power tool. Use the correct power tool for your application.** The correct power tool will do the job better and safer at the rate for which it was designed.
- **Do not use the power tool if the switch does not turn it on and off.** Any power tool that cannot be controlled with the switch is dangerous and must be repaired.
- **Disconnect the plug from the power source and/or the battery pack from the power tool before making any adjustments, changing accessories, or storing power tools.** Such preventive safety measures reduce the risk of starting the power tool accidentally.
- **Store idle power tools out of the reach of children and do not allow persons unfamiliar with the power tool or these instructions to operate the power tool.** Power tools are dangerous in the hands of untrained users.

- **Maintain power tools. Check for misalignment or binding of moving parts, breakage of parts and any other condition that may affect the power tool's operation. If damaged, have the power tool repaired before use.** Many accidents are caused by poorly maintained power tools.
- **Keep cutting tools sharp and clean.** Properly maintained cutting tools with sharp cutting edges are less likely to bind and are easier to control.
- **Use the power tool, accessories and tool bits etc. in accordance with these instructions, taking into account the working conditions and the work to be performed.** Use of the power tool for operations different from those intended could result in a hazardous situation.
- **Keep handles and grasping surfaces dry, clean and free from oil and grease.** Slippery handles and grasping surfaces do not allow for safe handling and control of the tool in unexpected situations.
- This 56V telescopic power pole PPX1000 may be used with only the following EGO attachments or subsequently introduced by EGO for use with this telescopic power pole:

ATTACHMENT TYPE	MODEL NUMBER
Hedge Trimmer Attachment	PTX5100
Pole Saw Attachment	PSX2500

### **⚠ General Power Tool Safety Warnings –Battery Tool Use And Care.**

- **Recharge only with the charger specified by the manufacturer.** A charger that is suitable for one type of battery pack may create a risk of fire when used with another battery pack.
- **Use power tools only with specifically designated battery packs.** Use of any other battery packs may create a risk of injury and fire.
- **When battery pack is not in use, keep it away from other metal objects, like paper clips, coins, keys, nails, screws or other small metal objects that can make a connection from one terminal to another.** Shorting the battery terminals together may cause burns or a fire.
- **Under abusive conditions, liquid may be ejected from the battery; avoid contact. If contact accidentally occurs, flush with water. If liquid contacts eyes, additionally seek medical help.** Liquid ejected from the battery may cause irritation or burns.

- **Do not use a battery pack or tool that is damaged or modified.** Damaged or modified batteries may exhibit unpredictable behaviour resulting in fire, explosion or risk of injury.
- **Do not expose a battery pack or tool to fire or excessive temperature.** Exposure to fire or temperature above 130°C may cause explosion.
- **Follow all charging instructions and do not charge the battery pack or tool outside the temperature range specified in the instructions.** Charging improperly or at temperatures outside the specified range may damage the battery and increase the risk of fire.

### **⚠ General Power Tool Safety Warnings –Services.**

- **Have your power tool serviced by a qualified repair person using only identical replacement parts.** This will ensure that the safety of the power tool is maintained.
- **Never service damaged battery packs.** Service of battery packs should only be performed by the manufacturer or authorized service providers.
- If situations occur that are not covered in this manual, use care and good judgment. Contact the EGO Service Center for assistance.

### **SAVE THESE INSTRUCTIONS**

**ADDITIONAL SPECIFIC SAFETY RULES CAN BE FOUND IN THE APPLICABLE ATTACHMENT'S OPERATOR'S MANUAL**

## **SPECIFICATIONS**

Voltage	56 V $\overline{\text{---}}$
Recommended Operating Temperature:	0°C-40°C
Recommended Storage Temperature	-20°C-70°C
Weight	3.9kg

## **DESCRIPTION**

### **KNOW YOUR TELESCOPIC POWER POLE (Fig. A)**

1. Rear Handle
2. Locking Tongue
3. Carrying Eyelet
4. Front Handle
5. Clamping Knob
6. Shaft-release Button
7. Locking Knob
8. Coupler
9. Telescopic Tube
10. Variable Speed Trigger

11. Tool Support
12. Shoulder Strap
13. Ejection Mechanism
14. Latch
15. Battery Release Button
16. Wrench Holder
17. Combi Wrench

## PACKING LIST (FIG. A)

### ASSEMBLY

**⚠ WARNING:** If any parts are damaged or missing, do not operate this product until the parts are replaced. Use of this product with damaged or missing parts could result in serious personal injury.

**⚠ WARNING:** Always remove the battery pack from the product when you are assembling parts, making adjustments, cleaning, or when the product is not in use.

### ATTACHING AN ATTACHMENT TO THE TELESCOPIC POWER POLE

**⚠ WARNING:** Read and understand entire Operator's Manual for each optional attachment used on this telescopic power pole and follow all warnings and instructions. Failure to follow all instructions could result in electric shock, fire and/or serious personal injury.

**⚠ WARNING:** This 56V telescopic power pole PPX1000 is designed to be used only with the EGO attachment models that are specified in this Operator's Manual or subsequently introduced by EGO for use with this telescopic power pole. Use of other, unauthorized attachments could cause serious personal injuries or property damage.

**⚠ WARNING:** Never install, remove, or adjust any attachment while the telescopic power pole is running or with the battery installed. Failure to stop the motor and remove the battery can cause serious personal injury.

The attachment connects to the telescopic power pole by means of a coupler device.

1. Stop the motor and remove the battery pack.
2. Loosen the locking knob.
3. Align the arrow on the attachment shaft with the aligning indicator on the coupler and push the attachment shaft into the coupler until you hear a clear "click" sound, the coupler should be positioned all the way to the reference line on the shaft that the attachment shaft is properly mounted into place. (Fig.B).

B-1	Shaft-release Button	B-4	Reference Line
B-2	Aligning Indicator	B-5	Locking Knob
B-3	Arrow Mark		

4. Pull the shaft of the attachment to verify that it is securely locked into the coupler. If not, push the attachment shaft in the coupler until it snaps into place.
5. Tighten the locking knob securely.

**⚠ WARNING:** Be certain that the locking knob is fully tightened before operating equipment; check it periodically for tightness during use to avoid serious personal injury.

### REMOVING THE ATTACHMENT FROM THE TELESCOPIC POWER POLE

1. Stop the motor and remove the battery pack.
2. Loosen the locking knob.
3. Press the shaft-release button, with the button depressed, pull the attachment shift out of the coupler.

### MOUNTING THE SHOULDER STRAP (Fig. C)

Depress the strap hook to open it and attach it onto the carrying eyelet.

### EXTENDING TELESCOPIC TUBE

The tool is equipped with a telescopic tube that will extend to 960 mm (fully extended).

The clamping knob is used to hold the telescopic tube in position at any extended length.

1. To extend the telescopic tube, loosen the clamping knob by following its unlock icon. The telescopic will slide freely (Fig. D)

D-1	Clamping Knob	D-2	Indication for Maximum limit
-----	---------------	-----	------------------------------

2. Pull the telescopic tube out to desired length of extension.
3. To locking the telescopic tube in position, tighten the clamping knob by following its lock icon.

**⚠ WARNING:** In case of pinching your hand or fingers, please cautiously watch out in every step

**⚠ WARNING:** Do not allow familiarity with this product to make you careless. Remember that a careless fraction of a second is sufficient to inflict serious injury.

**⚠ WARNING:** Always wear eye protection. Failure to do so could result in objects being thrown into your eyes and other possible serious injuries.

**⚠ WARNING:** Do not use any attachments or accessories not recommended by the manufacturer of this product. The use of attachments or accessories not recommended can result in serious personal injury.

### INSTALLING/REMOVING THE BATTERY PACK

**NOTE:** Fully charge the battery pack before first use.

#### To Install

Align the battery ribs with the mounting slots and press the battery pack down until you hear a “click” (Fig. E).

E-1	Mounting Slot	E-2	Rib
-----	---------------	-----	-----

#### To Remove

Depress the battery-release button and pull the battery pack out (Fig. F).

**⚠ WARNING:** To avoid serious personal injury, always remove the battery pack and keep hands clear of the locking tongue and trigger when carrying or transporting the tool.

### SHOULDER STRAP

For safe and better operation, put on the shoulder strap across the shoulder as Fig. G to relieve the weight on the operator’s arms. Adjust the shoulder strap in a comfortable operating position.

There are two ways to release the strap. Take it away from your shoulder directly (Fig. H) or press the hook of the strap and take it apart from the carrying eyelet fixed on the shaft (Fig. I)

**⚠ WARNING:** The shoulder strap is also a quick release mechanism in a hazardous situation. When an emergency occurs, take it off from your shoulder immediately, no matter what way the strap is in.

### HOLDING THE TELESCOPIC POWER POLE

The telescopic power pole is equipped with an advanced dual trigger system (Fig. J). Each trigger system can independently to switch on or off the tool. This innovated dual-control method gives most ergonomic operation in daily tough job. (Fig. K&L)

### STARTING/STOPPING THE TELESCOPIC POWER POLE

#### To start the telescopic power pole

Move the locking tongue forward and depress the variable speed trigger to switch on the telescopic power pole. The more pressure applied on the variable speed trigger, the higher speed of the head attachment is

#### To Stop

Release the variable speed trigger and locking tongue.

### MAINTENANCE

**⚠ WARNING:** When servicing, use only identical replacement parts. Inspect and maintain the machine regularly. To ensure safety and reliability, all repairs should be performed by a qualified service technician.

**⚠ WARNING:** Before inspecting, cleaning or servicing the unit, stop the motor, wait for all moving parts to stop, and remove the battery pack. Failure to follow these instructions can result in serious personal injury or property damage.

**⚠ NOTICE:** Before each use, inspect the entire product for damaged, missing, or loose parts such as screws, nuts, bolts, caps, etc. Tighten securely all fasteners and caps and do not operate this product until all missing or damaged parts are replaced. Please contact customer service or a qualified service technician.

### GENERAL MAINTENANCE

Avoid using solvents when cleaning plastic parts. Most plastics are susceptible to damage from various types of commercial solvents and may be damaged by their use. Use clean cloths to remove dirt, dust, oil, grease, etc.

### CLEANING THE TELESCOPIC POWER POLE

1. Stop the motor and remove the battery pack.
2. Clean dirt and debris from the telescopic power pole using a damp cloth with a mild detergent.

**NOTICE:** Do not use any strong detergents on the plastic housing or the handle. They can be damaged by certain aromatic oils such as pine and lemon.

### STORING THE TELESCOPIC POWER POLE

1. Remove the battery pack from the telescopic power pole before storing.
2. Clean all foreign material from the telescopic power pole.
3. Store it in a place that is inaccessible to children.
4. Keep away from corrosive agents such as garden chemicals and de-icing salts.



**Protecting the environment**

Do not dispose of electrical equipment, battery charger and batteries/rechargeable batteries into household waste!

**TROUBLESHOOTING**

See the applicable attachment's operator's manual.

**WARRANTY****EGO WARRANTY POLICY**

Please visit the website [egopowerplus.com](http://egopowerplus.com) for full terms and conditions of the EGO Warranty policy.

## LESEN SIE ALLE ANWEISUNGEN!



### LESEN SIE DIE BETRIEBSANLEITUNG

**⚠ Restrisiko!** Menschen mit elektronischen Geräten, wie z.B. Herzschrittmachern, sollten ihren Arzt konsultieren, bevor sie dieses Gerät verwenden. Die Bedienung von Elektrogeräten in unmittelbarer Nähe zu Herzschrittmachern kann zu Interferenzen und Störungen des Schrittmachers führen.

**⚠ WARNUNG:** Um die Sicherheit und Zuverlässigkeit zu gewährleisten, sollten alle Reparaturen und der Austausch von Teilen nur von qualifizierten Servicetechnikern durchgeführt werden.

## WARNSYMBOL

Der Zweck von Warnsymbolen besteht darin, Ihre Aufmerksamkeit auf mögliche Gefahren zu lenken. Die Warnsymbole und deren Erklärungen verdienen Ihre vollste Aufmerksamkeit und Beachtung. Durch die Warnsymbole allein sind die Gefahren noch nicht ausgeschaltet. Die Anweisungen und Warnhinweise stellen keinen Ersatz für angemessene Unfallverhütungsmaßnahmen dar.

**⚠ WARNUNG:** Vor der Benutzung des Geräts sollten Sie alle Sicherheitsanweisungen in dieser Bedienungsanleitung gelesen und verstanden haben, vor allem die Sicherheits- und Gefahrenzeichen wie „**VORSICHT**“, „**WARNUNG**“ und „**ACHTUNG**“. Die Nichtbeachtung aller aufgeführten Anweisungen kann zu Stromschlägen, Bränden und/oder schweren Verletzungen führen.

## SYMBOLBEDEUTUNG



**⚠ WARNUNG:** Beim Betrieb von Elektrowerkzeugen besteht die Gefahr, dass Fremdkörper in Ihre Augen geschleudert werden und Sie dadurch schwerwiegende Augenschäden davontragen. Tragen Sie immer eine Schutzbrille, wenn möglich mit Seitenschutz, oder, falls nötig, einen vollen Gesichtsschutz, bevor Sie Arbeiten mit dem Elektrowerkzeug verrichten. Wir empfehlen Ihnen, einen Gesichtsschutz über Ihrer eigenen Brille oder eine herkömmliche Schutzbrille mit Seitenschutz zu tragen.

## SICHERHEITSHINWEISE

Auf dieser Seite werden die Warnsymbole vorgestellt und beschrieben, die sich unter Umständen an dem Gerät befinden. Alle Anweisungen am Gerät lesen, verstehen und befolgen, bevor das Gerät montiert und eingesetzt wird.

	Sicherheitswarnung	Weist auf mögliche Verletzungsgefahren hin.
	Lesen Sie die Bedienungsanleitung	Um das Verletzungsrisiko zu verringern, muss der Benutzer die Bedienungsanleitung vor der Benutzung des Gerätes gelesen und verstanden haben.
	Augenschutz tragen	Tragen Sie immer eine Schutzbrille, möglichst mit Seitenschutz, und einen vollständigen Gesichtsschutz, wenn Sie das Gerät bedienen.
	CE	Dieses Produkt erfüllt die einschlägigen CE-Richtlinien.
	WEEE	Elektrische Altgeräte dürfen nicht im Hausmüll entsorgt werden. Bringen Sie das Gerät zu einem Wertstoffhof bzw. zu einer amtlichen Sammelstelle.
	Vor Regen schützen	Nicht im Regen verwenden oder bei Regen im Freien lassen.
IPX5	IP-Symbol	Schutzgrad 5 gegen das Eindringen von Wasser
V	Volt	Spannung
mm	Millimeter	Länge oder Größe
cm	Zentimeter	Länge oder Größe
kg	Kilogramm	Gewicht
	Gleichstrom	Art oder Eigenschaft der Stromzufuhr

**⚠ WARNUNG:** Lesen Sie alle durch das Symbol **⚠** gekennzeichneten Sicherheitshinweise und Anweisungen.

**Bewahren Sie alle Warn- und Bedienungshinweise für Nachschlagezwecke auf.**

Unter den Begriff „Elektrowerkzeug“ in den Warnhinweisen fallen netzbetriebene (d. h. schnurgebundene) oder akkubetriebene (d.h. schnurlose) Elektrowerkzeuge.

**⚠ Allgemeine Sicherheitshinweise zu Elektrowerkzeugen – Arbeitsplatzsicherheit.**

- Halten Sie den Arbeitsbereich stets sauber und gut beleuchtet. Unaufgeräumte oder dunkle Bereiche können Unfälle provozieren.
- Verwenden Sie das Elektrowerkzeug nicht in explosionsgefährdeten Umgebungen, wie z. B. in Gegenwart von entzündlichen Flüssigkeiten, Benzin oder Staub. Elektrowerkzeuge erzeugen Funken, die Staub oder Dämpfe entzünden können.
- Halten Sie Schaulustige und Kinder fern, während Sie das Elektrowerkzeug einsetzen. Ablenkungen können dazu führen, dass Sie die Kontrolle verlieren.

**⚠ Allgemeine Sicherheitshinweise zu Elektrowerkzeugen – Elektrische Sicherheit.**

- Die Netzstecker der Elektrowerkzeuge müssen in die Steckdosen passen. Der Netzstecker darf unter keinen Umständen verändert werden. Verwenden Sie keine Adapterstecker an geerdeten Elektrowerkzeugen. Nicht modifizierte Stecker und passende Steckdosen reduzieren die Stromschlaggefahr.
- Vermeiden Sie den Körperkontakt zu geerdeten Flächen wie zum Beispiel Rohrleitungen, Heizkörpern, Herden und Kühlschränken. Es besteht erhöhte Stromschlaggefahr, wenn Ihr Körper geerdet ist.
- Schützen Sie Elektrowerkzeuge vor Regen oder feuchten Bedingungen. Wenn Wasser in das Elektrowerkzeug eindringt, besteht erhöhte Stromschlaggefahr.
- Das Kabel darf nicht zweckentfremdet werden. Das Netzkabel darf nicht zum Tragen, Ziehen oder Herausziehen des Elektrowerkzeugs aus der Steckdose verwendet werden. Das Netzkabel muss vor Hitze, Öl, scharfen Kanten oder beweglichen Teilen ferngehalten werden. Durch beschädigte oder verknotete Kabel besteht erhöhte Stromschlaggefahr.
- Wenn Sie ein Elektrowerkzeug im Freien benutzen, verwenden Sie ein Verlängerungskabel, das für den Gebrauch im Freien geeignet ist. Die Stromschlaggefahr verringert sich bei Gebrauch eines Netzkabels, das für den Einsatz im Freien geeignet ist.
- Wenn sich der Einsatz des Elektrowerkzeugs an einem feuchten Ort nicht vermeiden lässt, benutzen Sie eine Steckdose, die mit einem FI-Schalter gesichert ist. Die Verwendung einer Fehlerstromschutzeinrichtung reduziert die Stromschlaggefahr.

**⚠ Allgemeine Sicherheitshinweise zu Elektrowerkzeugen – Personensicherheit.**

- Seien Sie wachsam, geben Sie darauf Acht, was Sie tun, und benutzen Sie Ihren gesunden Menschenverstand, wenn Sie ein Elektrowerkzeug verwenden. Betreiben Sie das Gerät nicht, wenn Sie müde sind oder unter dem Einfluss von Drogen, Alkohol oder Medikamenten stehen. Ein Moment der Unachtsamkeit kann beim Gebrauch eines Elektrowerkzeugs zu ernsthaften Verletzungen führen.
- Tragen Sie eine persönliche Schutzausrüstung. Tragen Sie immer einen Augenschutz. Durch eine für die jeweiligen Bedingungen geeignete Schutzausrüstung wie etwa eine Staubschutzmaske, rutschfeste Schuhe, Helm oder Gehörschutz lässt sich die Verletzungsgefahr verringern.
- Ungewollten Anlauf verhindern. Vor dem Anschließen an eine Steckdose und/oder einen Akku und vor dem Aufnehmen oder Transportieren des Geräts immer kontrollieren, ob der Hauptschalter in ausgeschalteter Position ist. Unfälle sind vorprogrammiert, wenn Sie Elektrowerkzeuge mit einem Finger am Betriebsschalter tragen oder Elektrowerkzeuge mit eingeschaltetem Betriebsschalter an eine Steckdose anschließen.
- Entfernen Sie alle Einstellschlüssel oder Schraubenschlüssel, bevor Sie das Elektrowerkzeug einschalten. Ein Schraubenschlüssel oder ein Schlüssel, der noch an einem beweglichen Teil des Elektrowerkzeugs befestigt ist, kann Verletzungen hervorrufen.
- Nicht überstrecken. Achten Sie stets auf einen festen Stand und halten Sie das Gleichgewicht. Dies ermöglicht in unerwarteten Situationen eine bessere Kontrolle über das Elektrowerkzeug.
- Tragen Sie angemessene Kleidung. Tragen Sie keine weite Kleidung oder Schmuck. Halten Sie Ihr Haar, Ihre Kleidung und Handschuhe von den beweglichen Teilen fern. Weite Kleidung, Schmuck oder langes Haar können sich in den beweglichen Teilen verfangen.
- Wenn Komponenten zum Anschluss an eine Absauganlage und an Auffangvorrichtungen mitgeliefert werden, achten Sie darauf, dass diese ordnungsgemäß befestigt und benutzt werden. Durch eine Staubabsaugvorrichtung lassen sich Gefahrenquellen durch Staub ausschalten.

- Lassen Sie sich nicht durch die aufgrund häufiger Benutzung entstandene Vertrautheit mit Werkzeugen dazu verleiten, unachtsam zu werden und die für Werkzeuge geltenden Sicherheitsgrundsätze zu ignorieren. Eine fahrlässige Handlung kann bereits im Bruchteil einer Sekunde zu schweren Verletzungen führen.

## ⚠ Allgemeine Sicherheitshinweise zu Elektrowerkzeugen – Gebrauch und Pflege von Elektrowerkzeugen.

- **Üben Sie keinen übermäßigen Druck auf das Elektrowerkzeug aus. Verwenden Sie ein geeignetes Elektrowerkzeug für die jeweiligen Arbeiten.** Durch das passende Elektrowerkzeug lassen sich die Arbeiten besser und sicherer in dem jeweils vorgesehenen Tempo erledigen.
- **Verwenden Sie das Elektrowerkzeug nicht, wenn es sich mit dem Schalter weder ein- noch ausschalten lässt.** Ein Elektrowerkzeug, das sich über den Schalter nicht betätigen lässt, ist gefährlich und muss repariert werden.
- **Ziehen Sie den Netzstecker aus der Steckdose bzw. nehmen Sie den Akku vom Elektrowerkzeug ab, bevor Sie Einstellungen vornehmen, das Zubehör wechseln oder das Elektrowerkzeug verstauen.** Solche vorsorglichen Sicherheitsmaßnahmen verringern die Gefahr, dass sich das Elektrowerkzeug unbeabsichtigt einschaltet.
- **Bewahren Sie nicht benutzte Elektrowerkzeuge außerhalb der Reichweite von Kindern auf und verbieten Sie Personen die Gerätebenutzung, die das Elektrowerkzeug oder diese Anweisungen nicht kennen.** In den Händen nicht eingewiesener Benutzer stellen Elektrowerkzeuge eine große Gefahr dar.
- **Elektrowerkzeuge müssen gewartet werden. Achten Sie auf falsch ausgerichtete oder fest sitzende bewegliche Teile, Bruchstellen und sonstige Umstände, die die Funktion des Elektrowerkzeuges beeinträchtigen können. Lassen Sie beschädigte Elektrowerkzeuge reparieren, bevor Sie sie wieder einsetzen.** Viele Unfälle entstehen durch schlecht gewartete Elektrowerkzeuge.
- **Halten Sie Schneidwerkzeuge scharf und sauber.** Sachgemäß gewartete Schneidwerkzeuge mit scharfen Schneiden neigen weniger zum Festfahren und sind leichter zu kontrollieren.
- **Benutzen Sie das Elektrowerkzeug, Zubehör, Bits usw. gemäß diesen Anweisungen und berücksichtigen Sie dabei die Arbeitsbedingungen**

und die auszuführenden Arbeiten. Die Verwendung des Elektrowerkzeugs für Aufgaben, die von seinem bestimmungsgemäßen Zweck abweichen, können zu gefährlichen Situationen führen.

- **Halten Sie die Griffe und Griffflächen trocken, sauber und frei von Öl und Fett.** Rutschige Griffe und Griffflächen beeinträchtigen die sichere Handhabung des Werkzeugs und führen in unerwarteten Situationen zum Verlust der Kontrolle über das Werkzeug.
- Die ausziehbare 56-V-Antriebswelle PPX1000 darf nur mit den folgenden EGO-Anbauwerkzeugen oder die in Zukunft von EGO zur Verwendung mit dieser ausziehbaren Antriebswelle eingeführten Anbauwerkzeugen verwendet werden:

ANBAUWERKZEUG	MODELLNUMMER
Stabheckenscheren-Anbauwerkzeug	PTX5100
Hochentaster-Anbauwerkzeug	PSX2500

## ⚠ Allgemeine Sicherheitshinweise zu Elektrowerkzeugen – Gebrauch und Pflege von Akkuwerkzeugen.

- **Laden Sie den Akku nur mit dem vom Hersteller vorgegebenen Ladegerät auf.** Ein Ladegerät, das für einen bestimmten Akkutyp geeignet ist, kann bei der Benutzung eines anderen Akkus zu einer Brandgefahr werden.
- **Benutzen Sie für die Elektrowerkzeuge nur die jeweils zugehörigen Akkus.**
- **Bei Verwendung anderer Akkus besteht Verletzungs- und Brandgefahr. Wenn der Akku nicht benutzt wird, halten Sie ihn von anderen metallischen Objekten fern, wie Büroklammern, Münzen, Schlüssel, Nägel, Schrauben oder anderen kleinen Metallgegenständen, die eine Verbindung zwischen den Batteriekontakten herstellen können.** Das Kurzschließen der Pole kann Verbrennungen oder Brände verursachen.
- **Bei unsachgemäßer Anwendung kann Flüssigkeit aus dem Akku austreten; Kontakt vermeiden. Falls Sie versehentlich mit Akkusäure in Berührung gekommen sind, spülen Sie mit Wasser. Falls Akkusäure in die Augen geraten ist, suchen Sie zudem einen Arzt auf.** Aus dem Akku austretende Flüssigkeit kann Reizungen oder Verätzungen verursachen.
- **Benutzen Sie keinen Akku oder ein Werkzeug, das beschädigt oder umgebaut wurde.** Beschädigte oder umgebaute Akkus können sich unvorhergesehen

verhalten, wodurch möglicherweise ein Brand, eine Explosion oder Verletzungen verursacht werden.

- **Akkus oder Werkzeuge vor Feuer oder extremen Temperaturen schützen.** Feuer oder Temperaturen über 130°C können eine Explosion verursachen.
- **Befolgen Sie alle Ladeanweisungen und laden Sie den Akku oder das Werkzeug nicht außerhalb des Temperaturbereichs auf, der in der Anleitung angegeben ist.** Das unsachgemäße Aufladen oder Laden außerhalb des angegebenen Temperaturbereichs kann den Akku beschädigen und die Brandgefahr erhöhen.

### **Allgemeine Sicherheitshinweise zu Elektrowerkzeugen – Reparaturen.**

- **Lassen Sie Ihr Elektrowerkzeug von einer qualifizierten Fachkraft und nur unter Verwendung baugleicher Ersatzteile reparieren.** Nur so kann für die Sicherheit des Elektrowerkzeugs gesorgt werden.
- **Reparieren Sie unter keinen Umständen beschädigte Akkus.** Akkus sollten ausschließlich vom Hersteller selbst oder einer autorisierten Reparaturwerkstatt repariert werden.
- Falls Situationen auftreten, die nicht in dieser Bedienungsanleitung behandelt werden, gehen Sie vorsichtig und vernünftig vor. Reparaturanfragen richten Sie bitte an das EGO-Servicezentrum.

### **HEBEN SIE DIESE ANLEITUNG AUF**

### **ZUSÄTZLICHE SICHERHEITSHINWEISE FINDEN SIE IN DER BETRIEBSANLEITUNG DES JEWELIGEN ANBAUWERKZEUGS**

## **TECHNISCHE DATEN**

Spannung	56 V
Empfohlene Betriebstemperatur:	0°C-40°C
Empfohlene Lagertemperatur	-20°C-70°C
Gewicht	3,9kg

## **BESCHREIBUNG**

### **BESCHREIBUNG IHRER ELEKTRO-TELESKOPSTANGE (Abb. A)**

1. Hinterer Griffbügel
2. Sicherheitsverriegelung
3. Trageöse
4. Vorderer Griff
5. Feststellschraube
6. Schaftverriegelung

7. Arretierknäuf
8. Kupplung
9. Teleskoprohr
10. Betriebsschalter mit variabler Drehzahl
11. Werkzeughalterung
12. Schultergurt
13. Auswurfmechanismus
14. Verschluss
15. Akku-Entriegelungstaste
16. Schlüsselhalter
17. Kombischlüssel

## **PACKLISTE (ABB. A)**

## **MONTAGE**

**WARNUNG:** Wenn irgendwelche Teile beschädigt sind oder fehlen, verwenden Sie das Produkt nicht, bis alle Teile ersetzt worden sind. Die Verwendung dieses Produkts mit beschädigten oder fehlenden Teilen kann zu schweren Verletzungen führen.

**WARNUNG:** Der Akku muss immer aus dem Gerät genommen werden, wenn Teile montiert, Einstellungen vorgenommen, Teile gereinigt werden oder das Gerät außer Betrieb genommen wird.

### **INSTALLIEREN EINES ANBAUWERKZEUGS AN DER AUSZIEHBAREN ANTRIEBSWELLE**

**WARNUNG:** Lesen Sie für jedes mit dieser ausziehbaren Antriebswelle verwendete optionale Anbauwerkzeug dessen Betriebsanleitung vollständig durch und befolgen Sie alle Warnhinweise und Anweisungen. Die Nichtbeachtung sämtlicher Anweisungen kann zu Stromschlägen, Feuer und/oder schweren Verletzungen führen.

**WARNUNG:** Die ausziehbare 56-V-Antriebswelle PPX1000 ist ausschließlich für die EGO-Anbauwerkzeuge konzipiert, die in dieser Betriebsanleitung aufgeführt sind oder die in Zukunft von EGO zur Verwendung mit dieser ausziehbaren Antriebswelle eingeführt werden. Die Verwendung anderer nicht zugelassener Anbauwerkzeuge kann zu schweren Verletzungen oder Sachschäden führen.

**WARNUNG:** Anbauwerkzeuge dürfen in keinem Fall bei laufender ausziehbarer Antriebswelle oder mit eingesetztem Akku installiert, abgenommen oder eingestellt werden. Der Motor muss ausgeschaltet und der Akku abgenommen werden, da sonst die Gefahr schwerer Verletzungen besteht.

Das Anbauwerkzeug wird über eine Kupplung mit der ausziehbaren Antriebswelle verbunden.

1. Motor ausschalten und Akku abnehmen.
2. Lockern Sie den Arretierknopf.
3. Richten Sie den Pfeil auf dem Schaft des Anbauwerkzeugs und den Pfeil auf der Kupplung aufeinander aus und schieben Sie das Anbauwerkzeug in die Kupplung, bis der Schaft des Anbauwerkzeugs hörbar einrastet (Abb. B). Die Kupplung sollte bis zur Bezugslinie auf der Welle so positioniert werden, dass die Anbauwerkzeugwelle korrekt montiert ist. (Abb. B)

B-1	Schaftentriegelung	B-4	Bezugslinie
B-2	Ausrichtungsanzeige	B-5	Arretierknopf
B-3	Pfeilmarkierung		

4. Ziehen Sie am Schaft des Anbauwerkzeugs, um zu überprüfen, dass er sicher in der Kupplung eingerastet ist. Falls nicht, drücken Sie den Schaft des Anbauwerkzeugs in die Kupplung, bis er einrastet.
5. Ziehen Sie den Arretierknopf gut fest.

**⚠️ WARNUNG:** Vergewissern Sie sich vor dem Betrieb des Geräts, dass der Arretierknopf gut festgezogen ist. Überprüfen Sie die Schraube während des Gebrauchs regelmäßig, um schweren Verletzungen vorzubeugen.

## ENTFERNEN DES ANBAUWERKZEUGS VON DER AUSZIEHBAREN ANTRIEBSWELLE

1. Motor ausschalten und Akku abnehmen.
2. Lockern Sie den Arretierknopf.
3. Drücken Sie die Entriegelungstaste des Schafts und ziehen Sie, während Sie die Taste gedrückt halten, den Aufsatzschaft aus dem Verbindungsstück.

## BEFESTIGEN DES SCHULTERGURTS (Abb. C)

Drücken Sie auf den Gurthaken, um ihn zu öffnen, und befestigen Sie ihn an der Trageöse.

## AUSZIEHEN DES TELESKOPROHRS

Das Werkzeug ist mit einem Teleskoprohr ausgestattet, das bis auf 960 mm ausziehbar ist (voll ausgefahren).

Die Feststellschraube dient dazu, das Teleskoprohr in jeder ausgezogenen Länge in Position zu halten.

1. Um das Teleskoprohr auszuziehen, lösen Sie die Feststellschraube, indem Sie seinem Entriegelungssymbol folgen. Das Teleskoprohr gleitet ungehindert (Abb. D)

D-1	Feststellschraube	D-2	Anzeige für maximalen Auszug
-----	-------------------	-----	------------------------------

2. Ziehen Sie das Teleskoprohr auf die gewünschte Auszugslänge heraus.
3. Um das Teleskoprohr in seiner Position zu arretieren, ziehen Sie die Feststellschraube fest, indem Sie dem Schlosssymbol folgen.

**⚠️ WARNUNG:** Damit Sie sich nicht die Hand oder die Finger einklemmen, seien Sie bitte bei jedem Schritt vorsichtig.

## BETRIEB

**⚠️ WARNUNG:** Auch wenn Sie sich mit dem Gerät auskennen, sollten Sie sich nicht zu einer gewissen Nachlässigkeit verleiten lassen. Denken Sie daran, dass ein kurzer Moment der Unachtsamkeit zu ernsthaften Verletzungen führen kann.

**⚠️ WARNUNG:** Tragen Sie immer einen Augenschutz. Andernfalls besteht die Gefahr, dass Gegenstände in Ihre Augen geschleudert werden oder andere schwere Verletzungen verursacht werden.

**⚠️ WARNUNG:** Verwenden Sie keine Anbauwerkzeuge oder Zubehörteile, die nicht vom Hersteller dieses Produkts empfohlen worden sind. Der Gebrauch von nicht empfohlenen Anbauwerkzeugen oder Zubehör kann zu schweren Verletzungen führen.

## EINSETZEN/ABNEHMEN DES AKKUS

**ANMERKUNG:** Laden Sie den Akku vor dem ersten Gebrauch voll auf.

## Zum Montieren

Lassen Sie die Rippen am Akkugehäuse mit den Öffnungen am Gerät fluchten und schieben Sie den Akku bis zum hörbaren Einrasten in das Gerät (Abb. E).

E-1	Einschuböffnung	E-2	Steg
-----	-----------------	-----	------

## So entfernen Sie den Akku

Drücken Sie den Akku-Freigabeknopf und ziehen Sie den Akku heraus (Abb. F).

**⚠️ WARNUNG:** Nehmen Sie beim Tragen oder Transportieren des Werkzeugs immer zuvor den Akku ab und nehmen Sie die Hände von der Feststellaste und dem Betriebsschalter, um schwere Verletzungen zu vermeiden.

## SCHLUTERGURT

Legen Sie zum sicheren und besseren Arbeiten den Schultergurt an, wie in Abb. G abgebildet, um das Gewicht auf dem Arm des Bedieners zu verringern. Stellen Sie den Schultergurt so ein, dass die Arbeitsposition bequem ist.

Es gibt zwei Möglichkeiten den Schultergurt zu lösen. Nehmen Sie ihn direkt von der Schulter ab (Abb. H) oder drücken Sie den Haken des Gurtes und nehmen Sie ihn von der am Schaft befestigten Trageöse ab (Abb. I).

**⚠️ WARNUNG:** Der Schultergurt ist zudem ein Schnelllösemechanismus, der in gefährlichen Situationen auslöst. Nehmen Sie ihn bei einem Notfall sofort von Ihrer Schulter, ganz gleich in welcher Weise der Schultergurt umgelegt ist.

## HALTEN DER AUSZIEHBAREN ANTRIEBSWELLE

Die ausziehbare Antriebswelle ist mit einem modernen Doppelauslösesystem ausgestattet (Abb. J). Jedes Auslösesystem kann das Werkzeug unabhängig ein- oder ausschalten. Diese innovative Doppelkontrollmethode ermöglicht eine höchst ergonomische Bedienung im Arbeitsalltag. (Abb. K und L)

## STARTEN/ANHALTEN DER AUSZIEHBAREN ANTRIEBSWELLE

### So starten Sie die ausziehbare Antriebswelle

Bewegen Sie die Sicherheitsverriegelung nach vorne und drücken Sie den Betriebsschalter mit variabler Drehzahl, um die ausziehbare Antriebswelle einzuschalten. Je mehr Druck auf den Betriebsschalter mit variabler Drehzahl ausgeübt wird, desto höher ist die Geschwindigkeit des Anbauwerkzeugs.

### Stoppen

Lassen Sie den Betriebsschalter mit variabler Drehzahl und die Sicherheitsverriegelung los.

## WARTUNG

**⚠️ WARNUNG:** Verwenden Sie für die Wartung nur baugleiche Ersatzteile. Prüfen und warten Sie das Gerät regelmäßig. Um die Sicherheit und Zuverlässigkeit zu gewährleisten, sollten alle Reparaturen nur von qualifizierten Servicetechnikern durchgeführt werden.

**⚠️ WARNUNG:** Vor Überprüfung, Reinigung oder Reparatur des Geräts den Motor ausschalten, warten, bis alle beweglichen Teile zum Stillstand gekommen sind, und Akku abnehmen. Bei Nichtbeachtung dieser Anweisungen kann es zu schweren Verletzungen oder Sachschäden kommen.

**⚠️ HINWEIS:** Inspizieren Sie das gesamte Produkt vor jeder Benutzung auf beschädigte, fehlende oder lockere Teile, wie z. B. Schrauben, Muttern, Bolzen, Abdeckungen

usw. Ziehen Sie alle Befestigungsteile und Abdeckungen an und bedienen Sie das Produkt nicht, bis alle beschädigten oder fehlenden Teile ersetzt worden sind. Bitte wenden Sie sich an den Kundendienst oder einen qualifizierten Techniker.

## ALLGEMEINE WARTUNG

Zum Reinigen von Kunststoffteilen Lösungsmittel vermeiden. Die verschiedenen handelsüblichen Lösungsmittel greifen die meisten Kunststoffe an. Verwenden Sie saubere Lappen zum Entfernen von Schmutz, Staub, Öl, Fett usw.

## REINIGEN DER AUSZIEHBAREN ANTRIEBSWELLE

1. Motor ausschalten und Akku abnehmen.
2. Reinigen Sie die ausziehbare Antriebswelle mit einem feuchten Lappen und mildem Spülmittel von Schmutz und Ablagerungen.

**HINWEIS:** Benutzen Sie keine starken Reiniger am Kunststoffgehäuse oder am Griff. Die Teile können von ätherischen Ölen wie z. B. Kiefern- oder Zitronenöl angegriffen werden.

## LAGERN DER AUSZIEHBAREN ANTRIEBSWELLE

1. Nehmen Sie vor der Lagerung den Akku vom dem ausziehbaren Antriebsrohr ab.
2. Reinigen Sie die ausziehbare Antriebswelle von Fremdkörpern.
3. Lagern Sie das Gerät an einem Ort, der für Kinder nicht erreichbar ist.
4. Halten Sie sie von korrosiven Mitteln wie Gartenchemikalien und Streusalz fern.

## Schutz der Umwelt



Entsorgen Sie elektronische Geräte, Ladegeräte und Batterien/Akkus nicht im Hausmüll!

## STÖRUNGSBEHEBUNG

Siehe Betriebsanleitung des jeweiligen Anbauwerkzeugs.

## GARANTIE

### EGO-GARANTIEBEDINGUNGEN

Sämtliche EGO Garantiebedingungen finden Sie auf der Website [egopowerplus.com](http://egopowerplus.com).

## LISEZ TOUTES LES INSTRUCTIONS!

FR



### LISEZ LE MANUEL D'UTILISATION

**⚠ Risques résiduels!** Les personnes portant des appareils électroniques, par exemple des stimulateurs cardiaques, doivent consulter leur(s) médecin(s) avant d'utiliser ce produit. L'utilisation d'un équipement électrique près d'un stimulateur cardiaque peut provoquer des interférences ou la panne du stimulateur cardiaque.

**⚠ AVERTISSEMENT:** Pour garantir la sécurité et la fiabilité, toutes les réparations et tous les changements de pièce doivent être effectués par un réparateur qualifié.

## SYMBOLE DE SECURITE

L'objectif des symboles de sécurité est d'attirer votre attention sur des dangers potentiels. Les symboles de sécurité et les explications les accompagnant doivent être lus attentivement et compris. Les symboles de mise en garde ne permettent pas par eux-mêmes d'éliminer les dangers. Les consignes et mises en garde ne se substituent pas à des mesures de prévention appropriées des accidents.

**⚠ AVERTISSEMENT:** Lisez et comprenez impérativement toutes les consignes de sécurité de ce manuel d'utilisation, y compris les symboles de mise en garde de sécurité tels que « DANGER », « AVERTISSEMENT » et « ATTENTION » avant d'utiliser cet outil. Le non respect de toutes les instructions énumérées ci-dessous peut entraîner un choc électrique, un incendie et / ou des blessures graves.

## SIGNIFICATION DES SYMBOLES



**⚠ AVERTISSEMENT:** L'utilisation d'un outil électrique peut provoquer la projection d'objets étrangers dans vos yeux, ce qui peut entraîner des lésions oculaires graves. Avant de commencer à utiliser l'outil électrique, portez toujours un masque de sécurité ou des lunettes de sécurité avec des protections latérales et une visière complète si nécessaire. Nous vous recommandons de porter un Masque de Sécurité à Vision Panoramique par-dessus des lunettes de vue ou des lunettes de sécurité standards avec des protections latérales.

## CONSIGNES DE SÉCURITÉ

Cette page décrit des symboles de sécurité pouvant être présents sur ce produit. Lisez, comprenez et respectez toutes les instructions présentes sur l'outil avant d'essayer de l'assembler et de l'utiliser.

	Alerte de sécurité	Indique un risque potentiel de blessure corporelle.
	Lire le manuel d'utilisation	Pour réduire le risque de blessures, l'utilisateur doit lire et comprendre le manuel d'utilisation avant d'utiliser ce produit.
	Porter une protection oculaire	Portez toujours un masque de sécurité ou des lunettes de sécurité avec boucliers latéraux et un masque facial intégral lors de l'utilisation de ce produit.
	CE	Ce produit est conforme aux directives CE applicables.
	DEEE	Les produits électriques usagés ne doivent pas être jetés avec les ordures ménagères. Apportez-les dans un centre de recyclage agréé.
	Ne pas exposer à la pluie.	N'utilisez pas ce produit sous la pluie et ne le laissez pas à l'extérieur quand il pleut.
IPX5	Symbole IP	Protection contre la pénétration d'eau de degré 5
V	Volts	Tension
mm	Millimètre	Longueur ou taille
cm	Centimètre	Longueur ou taille
kg	Kilogramme	Poids
	Courant continu	Type ou caractéristique du courant

**⚠ AVERTISSEMENT:** Lisez tous les avertissements de sécurité indiqués par le symbole **⚠** et toutes les instructions.

**Conservez tous les consignes de sécurité et toutes les instructions pour consultation ultérieure.**

Le terme « outil électrique » utilisé dans les consignes de sécurité désigne votre outil électrique fonctionnant sur le secteur (filaire) ou sur batterie (sans fil).



**⚠️ Consignes de sécurité générales pour l'outil électrique - Sécurité de la zone de travail.**

- Maintenez l'aire de travail propre et bien éclairée. Les endroits sombres ou désordonnés augmentent les risques d'accident.
- N'utilisez pas les outils électriques dans une atmosphère explosive, par exemple en présence de liquides inflammables, d'essence ou de poussières inflammables. Les outils électriques génèrent des étincelles pouvant enflammer les poussières et les vapeurs.
- Veillez à ce que les enfants et les autres personnes restent éloignés pendant l'utilisation d'un outil électrique. Un moment d'inattention peut vous faire perdre le contrôle de l'outil.

**⚠️ Consignes de sécurité générales pour l'outil électrique - Sécurité électrique.**

- La fiche de l'outil électrique doit correspondre à la prise électrique. Ne modifiez jamais la prise de quelque manière que ce soit. N'utilisez jamais d'adaptateur de prise avec les outils électriques pourvus d'une mise à la terre ou à la masse. Les fiches non modifiées et les prises électriques appropriées réduisent le risque de choc électrique.
- Évitez tout contact physique avec des surfaces mises à la terre ou mises à la masse, telles que tuyaux, radiateurs, fours et réfrigérateurs. Il y a un risque accru de choc électrique si votre corps est relié à la terre ou à la masse, directement ou indirectement.
- N'exposez pas les outils électriques à la pluie ou à un environnement mouillé. Si de l'eau pénètre dans un outil électrique, cela accroît le risque de choc électrique.
- Prenez soin du câble d'alimentation. N'utilisez jamais le câble d'alimentation pour porter, tirer ou débrancher l'outil électrique. Veillez à ce que le câble d'alimentation n'entre jamais en contact avec de l'huile, des pièces mobiles, des arêtes tranchantes, et ne soit jamais exposé à de la chaleur. Les câbles d'alimentation endommagés ou emmêlés augmentent le risque de choc électrique.
- Quand vous utilisez un outil électrique en extérieur, utilisez une rallonge électrique adaptée à un usage en extérieur. L'utilisation d'une rallonge conçue pour un usage en extérieur permet de réduire le risque de choc électrique.
- S'il est impossible d'éviter d'utiliser un outil électrique dans un endroit humide, utilisez une alimentation protégée par un disjoncteur de fuite à la terre (DDFT). L'utilisation d'un DDFT réduit le risque de choc électrique.

**⚠️ Consignes de sécurité générales pour l'outil électrique - Sécurité personnelle.**

- Restez vigilant, soyez attentif à ce que vous faites et faites preuve de bon sens lors de l'utilisation d'un outil électrique. N'utilisez pas un outil électrique quand vous êtes fatigué(e), sous l'emprise de l'alcool, de stupéfiants ou de médicaments. Un moment d'inattention pendant l'utilisation des outils électriques peut provoquer des blessures corporelles graves.
- Utilisez des équipements de protection individuelle. Portez toujours une protection oculaire. L'utilisation d'équipements de protection appropriés aux conditions de travail, tels que masque antipoussières, chaussures de sécurité antidérapantes, casque et protections auditives, permet de réduire les risques de blessures corporelles.
- Évitez les démarrages accidentels. Vérifiez que l'interrupteur marche/arrêt est dans la position arrêt avant de brancher l'outil dans une prise électrique et/ou une batterie, de le saisir ou de le transporter. Porter les outils électriques avec le doigt sur leur interrupteur ou les brancher dans une alimentation électrique alors que leur interrupteur est dans la position marche augmente le risque d'accident.
- Retirez toutes les clés de réglage et de serrage avant de mettre l'outil électrique en marche. Une clé de réglage ou de serrage laissée sur une pièce rotative de l'outil électrique peut provoquer des blessures corporelles.
- N'essayez pas de travailler des endroits difficiles à atteindre. Conservez en permanence des appuis des pieds solides et un bon équilibre. Cela permet un meilleur contrôle de l'outil électrique en cas de situations inattendues.
- Portez une tenue adaptée. Ne portez pas de vêtement ample ni de bijou. Maintenez vos cheveux, vêtements et gants éloignés des pièces mobiles. Les vêtements amples, les bijoux et les cheveux longs peuvent se prendre dans les pièces mobiles.
- Si un outil est conçu pour être utilisé avec des dispositifs d'extraction et de récupération des poussières, veillez à ce que ces dispositifs soient raccordés et correctement utilisés. L'utilisation de dispositifs anti-poussières permet de réduire les dangers liés aux poussières.
- Veillez à ne pas devenir trop sûr(e) de vous et ne cessez pas de respecter les principes de sécurité même si vous vous sentez familiarisé(e) à l'utilisation de l'outil. La négligence peut provoquer des blessures graves en une fraction de seconde.

## ⚠️ Consignes de sécurité générales pour l'outil électrique - Utilisation et entretien de l'outil électrique.

- **Ne forcez pas l'outil électrique. Utilisez l'outil électrique qui convient au travail que vous voulez effectuer.** L'utilisation d'un outil qui convient au travail à effectuer permet de réaliser ce travail plus efficacement, avec une sécurité accrue et au rythme pour lequel l'outil a été conçu.
- **N'utilisez pas l'outil électrique si son interrupteur marche/arrêt ne permet pas de l'allumer et de l'éteindre.** Tout outil électrique qui ne peut pas être contrôlé par son interrupteur marche/arrêt est dangereux et doit être réparé.
- **Débranchez la fiche électrique de la prise secteur et/ou retirez la batterie de l'outil électrique avant de procéder à des réglages, de changer des accessoires ou de ranger l'outil électrique.** Cette mesure de sécurité préventive réduit le risque de démarrage accidentel de l'outil électrique.
- **Rangez les outils électriques non utilisés hors de portée des enfants. N'autorisez pas les personnes non familiarisées avec l'outil électrique ou ce manuel d'utilisation à l'utiliser.** Les outils électriques sont dangereux dans les mains de personnes inexpérimentées.
- **Entretenez les outils électriques. Inspectez-les pour vérifier qu'aucune pièce mobile n'est grippée ou mal alignée, qu'aucune pièce n'est cassée, et pour tout autre problème qui pourrait affecter leur fonctionnement. Si un outil électrique est endommagé, il doit être réparé avant d'être réutilisé.** Beaucoup d'accidents sont dus à des outils électriques mal entretenus.
- **Veillez à ce que les accessoires de coupe restent affûtés et propres.** Des accessoires de coupe bien entretenus et bien affûtés risquent moins de se coincer et sont plus faciles à contrôler.
- **Utilisez l'outil électrique, ses accessoires, mèches/embutés et toutes les autres pièces conformément aux présentes instructions, en prenant en compte les conditions d'utilisation et le travail à effectuer.** Utiliser l'outil électrique à d'autres finalités que celles pour lesquelles il a été conçu peut engendrer des situations dangereuses.
- **Maintenez les poignées et surfaces de préhension propres, sèches et exemptes d'huile et de graisse.** Les poignées et surfaces de préhension glissantes ne permettent pas de tenir et de contrôler l'outil de manière sûre en cas de situations inattendues.

- Ce taille-haie télescopique 56 V PPX1000 doit uniquement être utilisé avec les extensions EGO suivantes ou les extensions introduites par EGO par la suite et destinées à ce taille-haie télescopique :

TYPE D'EXTENSION	NUMÉRO DE MODÈLE
Extension pour taille-haie	PTX5100
Extension élagueuse sur perche	PSX2500

## ⚠️ Consignes de sécurité générales pour l'outil électrique - Utilisation et entretien de l'outil électrique sans fil.

- **Rechargez la batterie exclusivement avec le chargeur spécifié par le fabricant.** Un chargeur adapté à un type de batterie en particulier peut présenter un risque d'incendie s'il est utilisé avec une batterie différente.
- **Utilisez les outils électriques exclusivement avec les batteries spécifiées. L'utilisation de toute autre batterie peut engendrer un risque de blessures et d'incendie.**
- **Quand la batterie n'est pas utilisée, elle doit être rangée loin de tous les objets métalliques, tels que les trombones, pièces de monnaie, clés, clous, vis et tous les autres petits objets métalliques pouvant mettre en contact ses bornes.** Mettre en court-circuit les bornes de la batterie peut provoquer des brûlures et un incendie.
- **Si la batterie est soumise à des conditions d'utilisation excessives, du liquide peut s'en échapper. Évitez tout contact avec ce liquide. En cas de contact accidentel, rincez à grande eau. En cas de contact avec les yeux, vous devez en outre consulter un médecin.** Le liquide qui s'échappe des batteries peut provoquer des irritations et des brûlures.
- **N'utilisez pas une batterie ou un outil endommagé ou modifié.** Les batteries modifiées ou endommagées peuvent avoir un comportement imprévisible provoquant un incendie, une explosion ou un risque de blessure.
- **N'exposez pas la batterie ou l'outil à des flammes ou à une température excessive.** L'exposition au feu ou à des températures supérieures à 130°C peut provoquer une explosion.
- **Respectez toutes les instructions de recharge et ne rechargez pas la batterie ou l'outil hors de la plage de température spécifiée dans les instructions.** La recharge incorrecte ou à des températures hors de la plage spécifiée peut endommager la batterie et accroître le risque d'incendie.

**⚠️ Consignes de sécurité générales pour l'outil électrique - Réparation.**

- **Faites réparer votre outil électrique par un réparateur qualifié qui ne doit utiliser que des pièces de rechange identiques.** Ceci permet de garantir la sûreté de l'outil électrique.
- **Ne réparez jamais les batteries endommagées.** La réparation des batteries doit toujours être effectuée par le fabricant ou des réparateurs agréés.
- Si des situations non décrites par ce manuel se produisent, faites preuve de prudence et de bon sens. Contactez le centre de réparation EGO pour obtenir de l'aide.

**CONSERVEZ CES INSTRUCTIONS**

**VOUS TROUVEREZ DES CONSIGNES DE SÉCURITÉ SPÉCIFIQUES DANS LE MANUEL D'UTILISATION DE L'EXTENSION.**

**SPÉCIFICATIONS**

Tension	56 V ---
Température de fonctionnement recommandée :	0°C-40°C
Température de stockage recommandée	-20°C-70°C
Weight	3,9kg

**DESCRIPTION**

**DESCRIPTION DE VOTRE TAILLE-HAIE TÉLESCOPIQUE (Schéma A)**

1. Poignée arrière
2. Languette de verrouillage
3. Cillet de transport
4. Poignée avant
5. Molette de serrage
6. Bouton de déverrouillage du manche
7. Molette de fixation
8. Raccord
9. Tube télescopique
10. Gâchette à vitesse variable
11. Support de l'outil
12. Sangle d'épaule
13. Mécanisme d'éjection
14. Verrou
15. Bouton de déblocage de la batterie
16. Support de clé
17. Clé combinée

**CONTENU DE L'EMBALLAGE (IMAGE A)**

**ASSEMBLAGE**

**⚠️ AVERTISSEMENT:** Si une ou plusieurs pièces sont manquantes ou endommagées, n'utilisez pas cet outil tant que toutes les pièces n'ont pas été remplacées. Utiliser cet outil avec des pièces endommagées ou manquantes peut provoquer des blessures corporelles graves.

**⚠️ AVERTISSEMENT:** Toujours retirer la batterie du produit avant d'assembler des pièces, d'effectuer une opération de réglage ou de nettoyage, et lorsque vous n'utilisez pas le produit.

**MONTER UNE EXTENSION SUR LE TAILLE-HAIE TÉLESCOPIQUE**

**⚠️ AVERTISSEMENT:** Vous devez lire et comprendre l'intégralité du manuel d'utilisation de chaque extension optionnelle utilisée sur ce taille-haie télescopique et respecter tous les avertissements et consignes. Le non-respect de l'intégralité des consignes peut provoquer une électrocution, un incendie et/ou des blessures corporelles graves.

**⚠️ AVERTISSEMENT:** Ce taille-haie télescopique PPX1000 56 V est conçu pour être utilisé uniquement avec les modèles d'extension EGO spécifiés dans le manuel d'utilisation ou introduits par EGO par la suite et destinés à ce taille-haie télescopique : L'utilisation d'autres extensions non autorisées est susceptible d'entraîner des blessures corporelles graves ou d'endommager des biens.

**⚠️ AVERTISSEMENT:** N'assemblez, ne retirez et ne réglez jamais une extension lorsque le taille-haie télescopique est en fonctionnement ou lorsque la batterie est insérée. Ne pas éteindre le moteur et ne pas retirer la batterie peut provoquer des blessures corporelles graves.

L'extension se raccorde au taille-haie télescopique à l'aide d'un dispositif de raccord.

1. Éteignez le moteur et retirez la batterie.
2. Desserrez la molette de fixation.
3. Alignez la flèche sur le manche de l'extension avec l'indicateur d'alignement sur le raccord et poussez le manche de l'extension dans le raccord jusqu'à ce que vous entendiez un déclic. Le raccord doit être placé le long de la ligne de référence indiquée sur le manche pour que ce dernier soit correctement monté. (Fig. B)

B-1	Bouton de déverrouillage du manche	B-4	Ligne de référence
B-2	Indicateur d'alignement	B-5	Molette de fixation
B-3	Flèche		

- Tirez sur le manche de l'extension pour vérifier qu'il est bien fixé dans le raccord. Si tel n'est pas le cas, poussez le manche de l'extension dans le raccord jusqu'à ce qu'il s'enclenche.
- Serrez la molette de fixation.

**⚠ AVERTISSEMENT:** Assurez-vous que la molette de fixation est bien serrée avant d'utiliser l'équipement. Vérifiez régulièrement le serrage pendant l'utilisation pour éviter tout risque de blessure grave.

### RETRAIT DE L'EXTENSION DU TAILLE-HAIE TELESCOPIQUE

- Éteignez le moteur et retirez la batterie.
- Desserrez la molette de fixation.
- Maintenez le bouton de déblocage du manche enfoncé puis tirez le manche de l'extension hors du raccord.

### FIXATION DE LA SANGLE D'ÉPAULE (Fig. C)

Appuyez sur le crochet de la sangle pour l'ouvrir et attachez-le dans l'œillet de transport.

### RALLONGEMENT DU TUBE TELESCOPIQUE

L'outil est équipé d'un tube télescopique qui peut être rallongé jusqu'à 960 mm (extension complète).

La molette de serrage permet de maintenir le tube télescopique en position à n'importe quelle longueur d'extension.

- Pour rallonger le tube télescopique, desserrez la molette de serrage dans le sens indiqué. La perche télescopique glisse librement (Fig. D).

D-1	Molette de serrage	D-2	Indication de limite maximale
-----	--------------------	-----	-------------------------------

- Tirez le tube télescopique à la longueur d'extension souhaitée.
- Pour bloquer le tube télescopique en position, serrez la molette de serrage dans le sens indiqué.

**⚠ AVERTISSEMENT:** Procédez avec précaution à chaque étape afin d'éviter de vous coincer les mains ou les doigts.

## FONCTIONNEMENT

**⚠ AVERTISSEMENT:** Veillez à ne pas devenir moins prudent(e) au fur et à mesure que vous vous familiarisez avec cet outil. Gardez à l'esprit qu'une fraction de seconde d'inattention peut suffire pour provoquer des blessures graves.

**⚠ AVERTISSEMENT:** Portez toujours une protection oculaire. Sans protection, des objets peuvent être projetés dans vos yeux et d'autres blessures graves peuvent se produire.

**⚠ AVERTISSEMENT:** N'utilisez aucun accessoire ou pièce non recommandé par le fabricant de ce produit. L'utilisation d'accessoires ou de pièces non recommandés peut provoquer des blessures corporelles graves.

### INSTALLER/RETIRER LA BATTERIE

**REMARQUE :** Rechargez la batterie au maximum avant de l'utiliser pour la première fois.

#### Installation

Alignez les arêtes de la batterie sur les rainures d'assemblage et poussez la batterie vers le bas jusqu'à entendre un déclic (Image E).

E-1	Rainure d'assemblage	E-2	Arête
-----	----------------------	-----	-------

#### Retrait

Appuyez sur le bouton de déblocage de la batterie et retirez la batterie hors de l'outil (Fig. F).

**⚠ AVERTISSEMENT:** Afin d'éviter tout risque de blessures graves, retirez toujours la batterie et maintenez vos mains à l'écart de la languette de verrouillage et de la gâchette lorsque vous portez ou transportez l'outil.

### SANGLE D'ÉPAULE

Pour améliorer et sécuriser l'utilisation, placez la sangle d'épaule en bandoulière comme montré sur l'image G pour soulager le poids des bras de l'opérateur. Réglez la sangle d'épaule dans une position d'utilisation confortable.

Il y a deux manières de défaire la sangle. Retirez-la directement de votre épaule (image H) ou appuyez sur le crochet de la sangle et détachez-le de l'œillet de transport du manche (image I).

**⚠ AVERTISSEMENT:** La sangle d'épaule est aussi un mécanisme de retrait rapide en cas de situation dangereuse. En cas d'urgence, retirez-la immédiatement de votre épaule, quelle que soit la manière dont elle est portée.

## MAINTIEN DU TAILLE-HAIE TÉLESCOPIQUE

Le taille-haie télescopique est équipé d'un double système de déclenchement avancé (fig. J). Chaque système de déclenchement peut indépendamment allumer ou éteindre l'outil. Cette méthode de double commande innovante permet une utilisation particulièrement ergonomique lors de travaux quotidiens exigeants. (fig. K et L)

## MARCHE/ARRÊT DU TAILLE-HAIE TÉLESCOPIQUE

### Démarrage du taille-haie télescopique

Déplacez la languette de verrouillage vers l'avant et appuyez sur la gâchette à vitesse variable pour mettre en marche le taille-haie télescopique. Plus la pression appliquée sur la gâchette sera forte, plus la vitesse du taille-haie sera élevée.

### Arrêt

Relâchez la gâchette et la languette de verrouillage.

## ENTRETIEN

**⚠ AVERTISSEMENT:** L'outil ne doit être réparé qu'avec des pièces de rechange identiques. Inspectez et entretenez l'outil régulièrement. Pour garantir la sécurité et la fiabilité, toutes les réparations doivent être effectuées par un réparateur qualifié.

**⚠ AVERTISSEMENT:** Avant d'inspecter, de nettoyer ou de réparer l'outil, éteignez le moteur, attendez que toutes les pièces mobiles se soient arrêtées et retirez la batterie. Ne pas respecter ces instructions peut provoquer des blessures corporelles graves et des dommages matériels.

**⚠ REMARQUE:** Avant chaque utilisation, inspectez l'ensemble du produit à la recherche de pièces endommagées, manquantes ou desserrées telles que des vis, écrous, boulons, capuchons, etc. Serrez fermement toutes les fixations et capuchons et ne faites pas fonctionner ce produit tant que toutes les pièces manquantes ou endommagées n'ont pas été remplacées. Veuillez contacter le service client ou un technicien qualifié.

## ENTRETIEN GÉNÉRAL

N'utilisez pas de solvant pour nettoyer les pièces en plastique. La plupart des plastiques peuvent être détériorés par de nombreux types de solvants vendus dans le commerce. Utilisez des chiffons propres pour enlever les saletés, les poussières, l'huile, la graisse, etc.

## NETTOYAGE DU TAILLE-HAIE TÉLESCOPIQUE

1. Éteignez le moteur et retirez la batterie.
2. Nettoyez la saleté et les débris présents sur le taille-haie télescopique à l'aide d'un chiffon humidifié d'un détergent doux.

**REMARQUE:** N'utilisez pas de détergent puissant sur le boîtier en plastique ou sur la poignée. Ceux-ci peuvent être endommagés par certaines huiles aromatiques, par exemple celles de pin et de citron.

## RANGEMENT DU TAILLE-HAIE TÉLESCOPIQUE

1. Retirez la batterie du taille-haie télescopique avant de le ranger.
2. Enlevez tous les corps étrangers du taille-haie télescopique.
3. Rangez-le dans un endroit hors de portée des enfants.
4. Veillez à ce qu'il reste à l'écart de produits corrosifs, par exemple les produits chimiques de jardinage et les sels de déverglacage.

## Protection de l'environnement



Ne jetez pas les équipements électriques, les chargeurs de batterie, les batteries rechargeables et les piles avec les ordures ménagères!

## DÉPANNAGE

Consultez le manuel d'utilisation de l'extension correspondante.

## GARANTIE

### POLITIQUE DE GARANTIE EGO

Visitez le site Web [egopowerplus.com](http://egopowerplus.com) pour consulter les conditions complètes de la politique de garantie EGO.

## ¡LEA TODAS LAS INSTRUCCIONES!

**⚠ ¡Riesgo residual!** Las personas con implantes electrónicos, como marcapasos, deberán consultar a su médico antes de utilizar este producto. La utilización de equipos eléctricos en las proximidades inmediatas de un marcapasos podría causar en este interferencias o averías.

**⚠ ADVERTENCIA:** Para garantizar la seguridad y fiabilidad de la herramienta, las reparaciones y sustituciones debe realizarlas únicamente un técnico cualificado.

## SÍMBOLO DE SEGURIDAD

El propósito de los símbolos de seguridad es atraer su atención hacia posibles peligros. Los símbolos de seguridad y las explicaciones que los acompañan requieren su máxima atención y comprensión. Por sí solos, los símbolos de advertencia no eliminan los posibles peligros. Las instrucciones y advertencias que proporcionan no sustituyen a las medidas adecuadas de prevención de accidentes.

**⚠ ADVERTENCIA:** Antes de utilizar esta herramienta, asegúrese de haber leído y entendido perfectamente todas las instrucciones incluidas en este Manual del usuario, incluidos todos los símbolos de aviso sobre seguridad, tales como **“PELIGRO”, “ADVERTENCIA”** y **“PRECAUCIÓN”**. Si no se observan todas las instrucciones que se indican a continuación existe riesgo de incendio, electrocución, así como de lesiones graves.

## SIGNIFICADO DE LOS SÍMBOLOS



**⚠ ADVERTENCIA:** Cuando se utilizan herramientas eléctricas, es posible que salgan despedidos objetos que podrían causar lesiones oculares graves. Antes de empezar a usar herramientas eléctricas, póngase siempre gafas de seguridad, gafas con cristales anti-impacto que cuenten con pantallas de protección lateral y una máscara facial completa. Recomendamos usar una máscara de seguridad de amplia visión que pueda utilizarse encima de gafas graduadas, o bien gafas normales de seguridad equipadas con pantallas laterales.

## PRECAUCIONES DE SEGURIDAD

Esta página muestra y describe los símbolos de seguridad que puede haber en este producto. Asegúrese de leer, comprender y cumplir todas las instrucciones que se indican en la máquina antes de proceder a su montaje y utilización.

	Aviso de seguridad	Indica una situación potencialmente peligrosa que, de no evitarse, podría provocar lesiones.
	Leer el Manual del usuario	Para reducir el riesgo de lesiones, el usuario debe leer y comprender el manual del usuario antes de utilizar este producto.
	Utilizar protección ocular	Utilice siempre gafas de seguridad, gafas con cristales anti-impacto que cuenten con pantallas de protección lateral, o bien una máscara facial que proteja completamente la cara cuando use este producto.
	CE	Este producto está en conformidad con las directivas de la CE aplicables.
	RAEE	Los productos eléctricos no deben eliminarse con la basura doméstica. Líévelos a un centro de reciclaje autorizado.
	No exponga la herramienta a la lluvia	No utilice la herramienta bajo la lluvia ni la deje a la intemperie cuando esté lloviendo.
IPX5	Símbolo de tipo de protección IP	Protección de nivel 5 contra la penetración de agua
V	Voltio	Tensión
mm	Milímetro	Longitud o tamaño
cm	Centímetro	Longitud o tamaño
kg	Kilogramo	Peso
	Corriente continua	Tipo o característica de la corriente

**⚠ ADVERTENCIA:** Lea todas las advertencias de seguridad señaladas con el símbolo y todas las instrucciones.

**Conserve todas las instrucciones y advertencias para poder consultarlas en el futuro.**

El término «herramientas eléctricas» que aparece en las advertencias se refiere tanto a aquellas herramientas que funcionan conectadas a la red eléctrica (mediante cable) como a aquellas otras que funcionan con batería (inalámbricas).

**⚠ Advertencias de seguridad generales para herramientas eléctricas – Seguridad en la zona de trabajo.**

- **Mantenga la zona de trabajo limpia y bien iluminada.** Las áreas de trabajo desordenadas y oscuras favorecen los accidentes.
- **No utilice herramientas eléctricas en entornos explosivos; como por ejemplo, en presencia de gasolina, o bien de líquidos, gases o polvo inflamables.** Las herramientas eléctricas generan chispas que podrían actuar como detonante de vapores y partículas de polvo inflamables.
- **Mantenga a los niños y las demás personas alejados cuando esté utilizando una herramienta eléctrica.** Las distracciones podrían hacerle perder el control de la herramienta.

**⚠ Advertencias de seguridad generales para herramientas eléctricas – Seguridad eléctrica.**

- **El enchufe de la herramienta eléctrica debe corresponder con la toma de corriente. No modifique nunca el enchufe en modo alguno. Nunca utilice enchufes adaptadores con herramientas eléctricas equipadas con conexión a tierra.** Si no se modifican los enchufes y estos corresponden con las tomas de corriente, se reducirán enormemente los riesgos de electrocución.
- **Evite cualquier contacto corporal con superficies conectadas a tierra, como tuberías, radiadores, hornillos eléctricos y frigoríficos.** Existe un mayor riesgo de descarga eléctrica si su cuerpo tiene conexión a tierra.
- **No exponga las herramientas eléctricas a la lluvia o a la humedad.** Si penetra agua en una herramienta eléctrica, aumentará el riesgo de descarga eléctrica.
- **No maltrate el cable. Nunca utilice el cable para transportar, arrastrar o desenchufar la herramienta eléctrica. Mantenga el cable alejado del calor, el aceite, los bordes afilados o las piezas móviles.** Los cables dañados o enredados aumentan el riesgo de descarga eléctrica.
- **Cuando use una herramienta eléctrica al aire libre, utilice un cable alargador adecuado para uso en exteriores.** Si se usa un cable adecuado para

exteriores, se reducirá el riesgo de descarga eléctrica.

- **Si es inevitable usar una herramienta eléctrica en un entorno húmedo, utilice una alimentación con un interruptor de protección diferencial.** La utilización de un interruptor de protección diferencial reducirá el riesgo de descarga eléctrica.

**⚠ Advertencias de seguridad generales para herramientas eléctricas – Seguridad personal.**

- **Manténgase alerta, preste atención a lo que está haciendo y aplique el sentido común durante el uso de una herramienta eléctrica. No utilice herramientas eléctricas si está cansado o se encuentra bajo los efectos de estupefacientes, alcohol o fármacos.** Cuando se están usando herramientas eléctricas, cualquier falta de atención, aunque sea por un instante, puede provocar lesiones graves.
- **Utilice equipo de protección personal. Utilice siempre protección ocular.** El equipo de protección, como máscaras antipolvo, calzado de seguridad antideslizante, casco protector o protección auditiva, cuando se utiliza adecuadamente, reduce las lesiones personales.
- **Evite la puesta en marcha accidental de la herramienta. Asegúrese de que el interruptor de encendido se encuentra en la posición de apagado antes de enchufar la herramienta a la red eléctrica y/o de acoplar la batería, así como al agarrar o transportar la herramienta.** Si lleva una herramienta eléctrica con el dedo puesto sobre el interruptor, o si enchufa una herramienta eléctrica con el interruptor encendido, pueden producirse accidentes.
- **Retire cualquier llave de ajuste o llave inglesa de la herramienta antes de encenderla.** Una llave inglesa o una llave de ajuste enganchada a una parte giratoria de la herramienta puede producir lesiones.
- **No se estire demasiado para alcanzar lugares de difícil acceso. Mantenga una posición firme y equilibrada en todo momento.** De este modo podrá controlar mejor la herramienta eléctrica en situaciones inesperadas.
- **Utilice ropa adecuada. No lleve puesta ropa holgada ni joyas. Mantenga el pelo, la ropa y los guantes alejados de las piezas móviles.** La ropa holgada, así como las joyas o el pelo, largo podrían engancharse en las partes móviles de la herramienta.
- **Si se incluyen dispositivos de conexión a extractores y colectores de polvo, asegúrese de conectarlos y utilizarlos adecuadamente.** La utilización de dispositivos colectores de polvo puede reducir los peligros ocasionados por el polvo.

- **El hecho de haberse familiarizado con la herramienta por el uso frecuente no debe hacer que se descuide e ignore los principios de seguridad.** Una distracción puede provocar lesiones graves en una fracción de segundo.

**⚠ Advertencias de seguridad generales para herramientas eléctricas – Utilización y cuidado de las herramientas eléctricas.**

- **No fuerce la herramienta eléctrica. Utilice la herramienta eléctrica adecuada para la tarea que vaya a realizar.** La herramienta correcta funcionará mejor y con más seguridad a la velocidad para la que ha sido diseñada.
- **No use la herramienta si el interruptor no funciona para encenderla y apagarla.** Toda herramienta que no se puede controlar con el interruptor es peligrosa y debe repararse.
- **Desconecte el enchufe de la toma de corriente o quite la batería de la herramienta antes de realizar algún ajuste, cambiar accesorios o guardarla.** Estas medidas de seguridad reducen el riesgo de que la herramienta se ponga en marcha por accidente.
- **Guarde las herramientas eléctricas apagadas fuera del alcance de niños y no deje que las usen personas que no estén familiarizadas con estas instrucciones o con las herramientas.** Las herramientas eléctricas son peligrosas si las usan personas sin experiencia.
- **Lleve a cabo el mantenimiento que sea necesario en sus herramientas eléctricas. Compruebe si hay elementos móviles desalineados o trabados, piezas rotas u otra circunstancia que pueda afectar al funcionamiento de la herramienta. Si la herramienta eléctrica está dañada, llévela a reparar antes de usarla.** Muchos accidentes se deben a un mantenimiento deficiente de las herramientas eléctricas.
- **Mantenga las herramientas de corte afiladas y limpias.** Las herramientas de corte bien afiladas tienen menos probabilidades de atascarse y son más fáciles de controlar.
- **Use la herramienta eléctrica, los accesorios, las brocas, etc., siguiendo las instrucciones y teniendo en cuenta las condiciones de trabajo y la tarea a realizar.** El uso de las herramientas eléctricas para fines diferentes a los previstos puede dar lugar a situaciones de peligro.
- **Mantenga las asas y las superficies de agarre secas, limpias y libres de aceite y grasa.** Si las asas y las superficies de agarre están resbaladizas no se puede manejar la herramienta de forma segura ni mantener el control en las situaciones inesperadas.

- Este conjunto de motor telescópico de 56 V PPX1000 únicamente puede utilizarse con las siguientes herramientas EGO o con las que lance EGO posteriormente para el uso con este conjunto de motor telescópico:

TIPO DE ACCESORIO	N.º DE MODELO
Herramienta cortasetos	PTX5100
Accesorio de sierra telescópica	PSX2500

**⚠ Advertencias de seguridad generales para herramientas eléctricas – Utilización y cuidado de la batería.**

- **Recargue únicamente con el cargador especificado por el fabricante.** Un cargador que es adecuado para un tipo de batería podría ocasionar un incendio si se utiliza con una batería distinta.
- **Utilice herramientas eléctricas solamente con las baterías diseñadas específicamente para ellas.** El uso de cualquier otro tipo de batería puede provocar riesgo de lesiones e incendio.
- **Cuando no se esté utilizando la batería, manténgala apartada de objetos metálicos como clips para papeles, monedas, llaves, clavos, tornillos, o cualquier otro objeto metálico pequeño que pudiera provocar un cortocircuito en sus terminales de corriente.** Si se provoca el cortocircuito en los terminales de la batería, podrían producirse quemaduras o incendios.
- **En condiciones de uso intensivo, es posible que se produzca una fuga de líquido de la batería; evite el contacto. Enjuague con agua si se produce un contacto accidental. Si el líquido entra en contacto con los ojos, solicite también atención médica.** El líquido que emana de la batería puede provocar irritaciones o quemaduras.
- **No utilice una batería o una herramienta que haya sido modificada o que esté dañada.** Las baterías dañadas o modificadas pueden tener un comportamiento impredecible y provocar un incendio, explosión o riesgo de lesiones.
- **No ponga la batería ni la herramienta al fuego ni a una temperatura excesiva.** La exposición al fuego o a una temperatura superior a 130°C podría provocar una explosión.
- **Siga todas las instrucciones de carga y no cargue la batería ni la herramienta fuera del rango de temperatura especificado en las instrucciones.** Una carga incorrecta o a temperaturas fuera del rango especificado puede dañar la batería y aumentar el riesgo de incendio.



**⚠ Advertencias de seguridad generales para herramientas eléctricas – Servicios.**

- Las reparaciones de las herramientas eléctricas debe realizarlas un técnico cualificado, utilizando solo piezas de recambio idénticas. De este modo, podrá garantizarse la seguridad de uso de la herramienta eléctrica.
- No repare nunca baterías que estén dañadas. Las baterías solo debe repararlas el fabricante o un centro de servicio técnico autorizado.
- Si se produce alguna situación que no esté incluida en este manual, actúe con cuidado y sentido común. Póngase en contacto con el departamento de atención al cliente de EGO para solicitar ayuda.

**GUARDE ESTAS INSTRUCCIONES**

**EN EL MANUAL DEL USUARIO DEL ACCESORIO APLICABLE ENCONTRARÁ REGLAS DE SEGURIDAD ESPECÍFICAS ADICIONALES**

**ESPECIFICACIONES**

Tensión	56 V $\overline{---}$
Temperatura de funcionamiento recomendada:	de 0°C a 40°C
Temperatura de almacenamiento recomendada	de -20°C a 70°C
Peso	3,9kg

**DESCRIPCIÓN**

**FAMILIARÍCESE CON EL CONJUNTO DE MOTOR TELESCÓPICO (Fig. A)**

1. Empuñadura trasera
2. Lengüeta de bloqueo
3. Anilla de transporte
4. Empuñadura delantera
5. Tuerca de fijación
6. Botón de liberación del tubo
7. Tuerca de bloqueo
8. Acoplador
9. Tubo telescópico
10. Gatillo para la velocidad variable
11. Soporte de herramienta
12. Correa bandolera
13. Mecanismo de expulsión
14. Seguro
15. Botón de liberación de la batería
16. Soporte de la llave
17. Llave combinada

**LISTA DE CONTENIDO (FIG. A)**

**MONTAJE**

**⚠ ADVERTENCIA:** Si alguna pieza falta o está rota, no utilice el producto hasta haber sustituido las piezas. Podrían producirse lesiones graves en caso de utilizar el producto si alguna de sus piezas falta o está dañada.

**⚠ ADVERTENCIA:** Quite siempre la batería del producto antes de instalar piezas, efectuar ajustes, proceder a su limpieza, o cuando el producto no esté en uso.

**INSTALAR UN ACCESORIO EN EL CONJUNTO DE MOTOR TELESCÓPICO**

**⚠ ADVERTENCIA:** Lea y comprenda totalmente el manual del usuario de cada accesorio opcional que utilice con este conjunto de motor telescópico y tenga en cuenta todas las advertencias e instrucciones. Si no se siguen todas las instrucciones, podría producirse una descarga eléctrica, un incendio o lesiones graves.

**⚠ ADVERTENCIA:** Este conjunto de motor telescópico de 56 V PPX1000 está diseñado para usarlo únicamente con los modelos de accesorios de EGO especificados en este manual del usuario o comercializados en el futuro por EGO para su uso con este conjunto de motor telescópico. La utilización de otros accesorios no autorizados podría provocar lesiones graves o daños materiales.

**⚠ ADVERTENCIA:** No instale, retire ni ajuste nunca ningún accesorio mientras el conjunto de motor telescópico esté funcionando o con la batería instalada. Si no se apaga el motor y se retira la batería pueden producirse lesiones graves.

El accesorio se conecta al conjunto de motor telescópico mediante un dispositivo de acoplamiento.

1. Apague el motor y quite la batería.
2. Afloje la tuerca de bloqueo.
3. Alinee la flecha del tubo del accesorio con el indicador de alineación en el acoplador, y empuje el tubo del accesorio para introducirlo en el acoplador hasta que oiga claramente un «clic», que indica que el tubo del accesorio está montado correctamente en su sitio. (Fig. B).

B-1	Botón de liberación del tubo	B-4	Línea de referencia
B-2	Indicador de alineación	B-5	Tuerca de bloqueo
B-3	Marca de flecha		

- Tire del tubo del accesorio para comprobar que está bloqueado de modo seguro en el acoplador. De lo contrario, empuje el tubo del accesorio en el acoplador hasta que enganche en su sitio.
- Apriete firmemente la tuerca de bloqueo.

**⚠ ADVERTENCIA:** Asegúrese de que la tuerca de bloqueo está totalmente apretada antes de utilizar el equipo: compruebe el apriete periódicamente durante el uso para evitar lesiones personales graves.

## DESINSTALAR UN ACCESORIO DEL CONJUNTO DE MOTOR TELESCÓPICO

- Apague el motor y quite la batería.
- Afloje la tuerca de bloqueo.
- Mantenga presionado el botón de liberación del tubo y, al mismo tiempo, tire del tubo del accesorio para sacarlo del acoplador.

## MONTAJE DE LA CORREA BANDOLERA (fig. C)

Presione el gancho de la correa para abrirlo y engánchelo a la anilla de transporte.

## ALARGAR EL TUNO TELESCÓPICO

La herramienta está equipada con un tubo telescópico que se puede alargar hasta 960 mm (cuando está totalmente extraído).

La tuerca de fijación se utiliza para mantener el tubo telescópico en la posición ajustada a cualquier longitud.

- Para alargar el tubo telescópico, afloje la tuerca de fijación siguiendo el símbolo de desbloqueo. El tubo telescópico se deslizará libremente (fig. D)

D-1	Tuerca de fijación	D-2	Indicación del límite máximo
-----	--------------------	-----	------------------------------

- Tire del tubo telescópico para sacarlo hasta la longitud que desee.
- Para bloquear el tubo telescópico en esa posición, apriete la tuerca de fijación siguiendo el símbolo de bloqueo.

**⚠ ADVERTENCIA:** Tenga cuidado en todos los pasos para evitar pellizcarse los dedos o la mano.

## FUNCIONAMIENTO

**⚠ ADVERTENCIA:** No permita que el hecho de estar familiarizado con el producto le haga descuidarse. Recuerde que cualquier distracción de una fracción de segundo es suficiente para provocar lesiones graves.

**⚠ ADVERTENCIA:** Utilice siempre protección ocular. De lo contrario, de la herramienta pueden salir objetos despedidos y alcanzar los ojos, provocando lesiones graves.

**⚠ ADVERTENCIA:** No utilice piezas o accesorios no recomendados por el fabricante de este producto. La utilización de piezas o accesorios no recomendados puede provocar lesiones graves.

## INSTALAR/QUITAR LA BATERÍA

**NOTA:** Cargue siempre la batería completamente antes del primer uso.

### Instalación

Alinee las nervaduras de la batería con las ranuras de montaje, e introduzca la batería presionándola hacia abajo hasta oír un «clic» (fig. E).

E-1	Ranura de montaje	E-2	Nervadura
-----	-------------------	-----	-----------

### Extracción

Pulse el botón de liberación de la batería y saque la batería tirando de ella (fig. F).

**⚠ ADVERTENCIA:** Para evitar lesiones graves, cuando lleve la herramienta o la transporte quite siempre la batería y mantenga las manos alejadas de la lengüeta de desbloqueo y del gatillo.

## CORREA BANDOLERA

Para un funcionamiento mejor y más seguro, póngase la correa bandolera cruzada desde el hombro, como se muestra en la fig. G. Ajuste la correa bandolera en una posición cómoda para utilizar la herramienta.

Hay dos formas de soltar la correa. Quitesela directamente del hombro (fig. H) o presione el gancho de la correa y quítela de la anilla de transporte situada en el tubo (fig. I).

**⚠ ADVERTENCIA:** La correa bandolera también es un mecanismo de liberación rápida si se produce una situación peligrosa. En caso de emergencia, quítela del hombro inmediatamente, sin importar cómo esté colocada la correa.

## CÓMO SUJETAR EL CONJUNTO DE MOTOR TELESCÓPICO

El conjunto de motor telescópico está equipado con un avanzado sistema de dos gatillos (fig. J). Cada sistema de gatillo se puede usar independientemente para encender o apagar la herramienta. Este innovador método de doble control permite un uso más ergonómico en las arduas tareas diarias. (Fig. K y L)

## ARRANQUE/PARADA DEL CONJUNTO DE MOTOR TELESCÓPICO

### Para arrancar el conjunto de motor telescópico

Mueva hacia delante la lengüeta de bloqueo y presione el gatillo para la velocidad variable para encender el conjunto de motor telescópico. Cuanta más presión se aplica en el interruptor para la velocidad variable, mayor es la velocidad en el accesorio.

### Parada

Suelte el gatillo para la velocidad variable y la lengüeta de bloqueo.

## MANTENIMIENTO

**⚠ ADVERTENCIA:** Cuando repare la herramienta, utilice solo piezas idénticas a las originales. Examine la herramienta regularmente y lleve a cabo las operaciones de mantenimiento. Para garantizar la seguridad y fiabilidad de la herramienta, las reparaciones debe realizarlas únicamente un técnico cualificado.

**⚠ ADVERTENCIA:** Antes de inspeccionar, limpiar o realizar el mantenimiento de la herramienta, apague el motor, espere a que se detengan todas las partes móviles y quite la batería. El incumplimiento de estas instrucciones podría provocar lesiones personales graves o daños materiales.

**⚠ AVISO:** Antes de cada uso, examine todo el producto para ver si hay piezas dañadas, extraviadas o sueltas, como tornillos, tuercas, pernos, tapones, etc. Apriete bien todas las sujeciones y los tapones y no ponga en marcha el producto hasta haber reemplazado todas las piezas que falten o que estén dañadas. Póngase en contacto con el servicio al cliente o con un técnico de servicio cualificado.

### MANTENIMIENTO GENERAL

Evite utilizar disolventes para limpiar las piezas de plástico. La mayoría de los plásticos podrían dañarse si se limpian con algunos de los tipos de disolventes disponibles en el mercado. Utilice paños limpios para eliminar la suciedad y los residuos de polvo, aceite, grasa, etc.

### LIMPIEZA DEL CONJUNTO DE MOTOR TELESCÓPICO

1. Apague el motor y quite la batería.
2. Limpie la suciedad y restos del conjunto de motor telescópico utilizando un paño húmedo con un detergente suave.

**AVISO:** No utilice detergentes fuertes en la carcasa de plástico o la empuñadura. Algunos aceites aromáticos, como aquellos a base de limón o pino, podrían dañar estas piezas.

### ALMACENAMIENTO DEL CONJUNTO DE MOTOR TELESCÓPICO

1. Quite la batería del conjunto de motor telescópico antes de guardarlo.
2. Limpie cualquier cuerpo extraño del conjunto de motor telescópico.
3. Guárdelo en un lugar al que no pueda acceder ningún niño.
4. Manténgalo apartado de agentes corrosivos, como productos químicos de jardinería y sal para deshielo.

### Protección del medio ambiente



¡No elimine aparatos eléctricos, cargadores de baterías, pilas o baterías recargables junto con los desperdicios domésticos!

## SOLUCIÓN DE PROBLEMAS

Consulte el manual del usuario del accesorio aplicable.

## GARANTÍA

### POLÍTICA DE GARANTÍA DE EGO

Visite la página web [egopowerplus.com](http://egopowerplus.com) para conocer los términos y condiciones completos de la política de garantía de EGO.

## LEIA TODAS AS INSTRUÇÕES!



### LEIA O MANUAL DE INSTRUÇÕES

**⚠ Risco residual!** As pessoas com dispositivos eletrônicos, como pacemakers, deverão consultar o seu médico antes de utilizarem este produto. A utilização de equipamento elétrico perto de um pacemaker pode causar interferências ou falhas no pacemaker.

**⚠ AVISO:** Para assegurar a segurança e bom funcionamento, todas as reparações e substituições deverão ser efetuadas por um técnico de reparação qualificado.

## SÍMBOLO DE SEGURANÇA

O objetivo dos símbolos de segurança é chamar a atenção para possíveis perigos. Os símbolos de segurança e as respetivas explicações apresentadas requerem a sua atenção e compreensão. Os avisos de segurança, só por si, não eliminam o perigo. As instruções e avisos dados não são substitutos para medidas de prevenção adequadas a acidentes.

**⚠ AVISO:** Certifique-se de que lê e compreende todos os avisos de segurança neste manual do utilizador, incluindo todos os símbolos de alerta de segurança, como “PERIGO”, “AVISO” e “CUIDADO” antes de usar esta ferramenta. O não cumprimento de todas as instruções apresentadas abaixo pode resultar em choque elétrico, incêndio e/ou lesões pessoais graves.

## SIGNIFICADO DOS SÍMBOLOS



**⚠ AVISO:** O funcionamento de qualquer ferramenta elétrica pode dar origem ao ressalto de quaisquer objetos estranhos que podem atingir os olhos, podendo dar origem a sérias lesões oculares. Antes de começar a utilizar a ferramenta elétrica, utilize sempre óculos de segurança com proteções laterais e uma proteção completa para o rosto, quando necessário. Recomendamos a utilização de máscaras de segurança com visão panorâmica por cima dos óculos ou óculos de segurança padrão com proteção lateral.

## INSTRUÇÕES DE SEGURANÇA

Esta página retrata e descreve os símbolos de segurança que podem aparecer neste produto. Leia, compreenda e siga todas as instruções na máquina antes de tentar montar e utilizar.

	Alerta de segurança	Indica um potencial perigo de lesões pessoais.
	Leia o manual do operador.	Para reduzir o risco de ferimentos, o utilizador tem de ler e compreender o manual do utilizador antes de utilizar este produto.
	Use proteção ocular.	Use sempre óculos de segurança com proteção lateral e, se necessário, uma proteção completa do rosto, quando utilizar este produto.
	CE	Este produto encontra-se em conformidade com as diretivas CE aplicáveis.
	REEE	Os produtos elétricos residuais não deverão ser eliminados juntamente com o lixo doméstico comum. Entregue-os num centro de reciclagem autorizado.
	Não exponha à chuva.	Não use este produto à chuva nem o deixe no exterior quando chover.
IPX5	Símbolo IP	Proteção contra a entrada de água de grau 5
V	Volts	Voltagem
mm	Milímetro	Comprimento ou tamanho
cm	Centímetro	Comprimento ou tamanho
kg	Quilograma	Peso
	Corrente direta	Tipo ou característica da corrente

**⚠ AVISO:** Leia todos os avisos de segurança indicados pelo símbolo e todas as instruções. Guarde todos os avisos e instruções para futuras referências.

O termo “ferramenta elétrica” nos avisos diz respeito à sua ferramenta alimentada pela rede (com fio) ou com bateria (sem fio).

**⚠ Avisos de segurança gerais da ferramenta elétrica - Segurança na área de trabalho.**

- **Mantenha a área de trabalho limpa e bem iluminada. Áreas desarrumadas ou escuras são propícias a acidentes.**
- **Não ligue ferramentas elétricas em atmosferas explosivas, tal como na presença de líquidos inflamáveis, gasolina ou pó.** As ferramentas elétricas produzem faíscas que podem dar origem à ignição de lixos e de gases.
- **Mantenha as crianças e pessoas que passem afastadas enquanto trabalhar com uma ferramenta elétrica.** As distrações podem fazer com que perca o controlo.

**⚠ Avisos de segurança gerais da ferramenta elétrica - Segurança elétrica.**

- **As fichas da ferramenta elétrica têm de corresponder à tomada. Nunca modifique a ficha de algum modo. Não utilize adaptadores de ficha com ferramentas elétricas com ligação à terra (aterradas).** O uso de fichas não modificadas e tomadas correspondentes reduz o risco de choque elétrico.
- **Evite o contacto do corpo com superfícies ligadas à terra, tais como tubos, radiadores, bases e frigoríficos.** Existe um risco acrescido de choque elétrico se o seu corpo estiver ligado à terra.
- **Não exponha as ferramentas elétricas à chuva ou a condições húmidas.** A entrada da água na ferramenta elétrica aumentará o risco de choque elétrico.
- **Não force o fio. Nunca utilize o fio para transportar, puxar ou desligar a ferramenta elétrica. Mantenha o fio afastado do calor, óleo, arestas afiadas ou peças móveis.** Fios danificados ou presos aumentam o risco de choque elétrico.
- **Quando estiver a trabalhar com uma ferramenta elétrica ao ar livre, utilize uma extensão adequada para a utilização no exterior.** A utilização de um fio adequado ao exterior reduz o risco de choque elétrico.
- **Se for inevitável trabalhar com uma ferramenta elétrica num local húmido, utilize um interruptor de circuito de falha de ligação à terra.** A utilização deste interruptor reduz o risco de choque elétrico.

**⚠ Avisos de segurança gerais da ferramenta elétrica.**

- **Mantenha-se alerta, observe o que está a fazer e use senso comum quando estiver a trabalhar com uma ferramenta elétrica. Não use uma ferramenta elétrica enquanto estiver cansado ou sob o efeito de drogas, álcool ou medicação.** Um momento de

falta de atenção enquanto trabalha com ferramentas elétricas pode resultar em lesões sérias.

- **Use equipamento pessoal de proteção. Utilize sempre proteção ocular.** O equipamento de segurança, tal como máscara respiratória, calçado de segurança antiderrapante, capacete de segurança, ou proteção para os ouvidos, utilizado nas condições adequadas reduzirá a hipótese de lesões.
- **Evite ligações sem intenção. Certifique-se de que o interruptor se encontra na posição de desligado antes de ligar a fonte de energia e/ou à bateria ao agarrar ou transportar a ferramenta.** Transportar ferramentas elétricas com o seu dedo no interruptor ou fornecer energia a ferramentas elétricas que tenham o interruptor na posição de ligado convida a acidentes.
- **Retire qualquer chave de ajuste ou chave de fendas antes de ligar a ferramenta elétrica.** Uma chave de porcas ou uma chave deixada ligada a uma peça rotativa da ferramenta elétrica pode provocar ferimentos.
- **Não se estique. Mantenha sempre a base e o equilíbrio adequados.** Isso proporciona um melhor controlo da ferramenta elétrica em situações inesperadas.
- **Vista-se adequadamente. Não utilize roupa larga ou jóias. Mantenha o seu cabelo, roupa e luvas afastadas das peças móveis.** Roupas largas, jóias ou cabelo comprido podem ser apanhados pelas peças em movimento.
- **Se forem fornecidos dispositivos para a ligação de extração de pó e facilidades de recolha, certifique-se de que estes estão ligados e de que são devidamente utilizados.** A utilização de dispositivos de recolha do pó pode reduzir os perigos relacionados com o pó.
- **Não permita que a familiarização ganhe com a utilização de ferramentas o torne mais complacente e ignore os princípios de segurança da ferramenta.** Uma ação descuidada pode causar graves ferimentos numa fração de segundo.

**⚠ Avisos de segurança gerais da ferramenta elétrica - Utilização e cuidados da ferramenta elétrica.**

- **Não force a ferramenta elétrica. Utilize a ferramenta elétrica correta para a sua aplicação.** A ferramenta elétrica correta fará o trabalho melhor e de forma mais segura ao ritmo para o qual foi concebida.
- **Não utilize a ferramenta elétrica se o interruptor não a ligar ou desligar.** Qualquer ferramenta que não possa ser controlada com o interruptor é perigosa e deve ser reparada.

- **Desligue a ficha da alimentação e/ou da bateria da ferramenta elétrica antes de fazer quaisquer ajustes, mudar de acessórios ou armazenar a ferramenta elétrica.** Tais medidas preventivas de segurança reduzem o risco de ligar a ferramenta acidentalmente.
- **Guarde ferramentas elétricas sem carga fora do alcance de crianças e não permita que pessoas estranhas às ferramentas elétricas ou a estas instruções trabalhem com a ferramenta elétrica.** As ferramentas elétricas são perigosas nas mãos de utilizadores sem formação.
- **Proceda à manutenção das ferramentas elétricas. Verifique desalinhamentos ou bloqueios das peças móveis, peças partidas e quaisquer outras condições que possam afetar o funcionamento da ferramenta elétrica. Se estiver danificada, leve a ferramenta elétrica para ser reparada antes da utilização.** Muitos acidentes são provocados pela falta manutenção das ferramentas elétricas.
- **Mantenha as ferramentas de corte afiadas e limpas.** Ferramentas devidamente mantidas com arestas de corte afiadas são menos fáceis de prender e mais fáceis de controlar.
- **Use a ferramenta elétrica, acessórios e brocas, etc., de acordo com estas instruções, tendo em conta as condições de trabalho e o trabalho a ser efetuado.** A utilização da ferramenta elétrica para operações diferentes daquelas para que foi criada pode dar origem a uma situação perigosa.
- **Mantenha as pegas e superfícies de segurar secas, limpas e sem óleo ou gordura.** Pegas e superfícies de segurar escorregadias não permitem o manuseamento seguro nem o controlo da ferramenta em situações inesperadas.
- Esta haste telescópica elétrica de 56V PPX1000 só pode ser usada com os seguintes acessórios EGO ou indicados pela EGO para serem usados com esta haste telescópica elétrica.

TIPO DE ACESSÓRIO	NÚMERO DO MODELO
Acessório de corta-sebes	PTX5100
Acessório da podadora	PSX2500

### **⚠ Avisos de segurança gerais da ferramenta elétrica - Utilização e cuidados da bateria.**

- **Recarregue apenas com os carregadores especificados pelo fabricante.** Um carregador que seja adequado a um tipo de bateria pode criar um risco de incêndio quando usado com outra bateria.

- **Utilize as ferramentas elétricas apenas com as baterias especificamente designadas.** A utilização de outras baterias pode criar um risco de lesão e incêndio.
- **Quando não usar a bateria, mantenha-a afastada de outros objetos de metal, como clipes de papel, moedas, chaves, pregos, parafusos ou outros pequenos objetos de metal que possam fazer a ligação entre os dois terminais.** Colocar os terminais da bateria em curto-circuito pode dar origem a queimaduras ou fogo.
- **Sob condições abusivas, pode ser ejetado líquido da bateria; evite o contacto. Se ocorrer contacto acidentalmente, lave com água corrente. Se o líquido entrar em contacto com os olhos, procure ajuda médica.** O líquido ejetado da bateria pode provocar irritação ou queimaduras.
- **Não use a bateria nem a ferramenta se estiverem danificadas ou modificadas.** Baterias danificadas ou modificadas podem apresentar comportamentos imprevisíveis, dando origem a fogo, explosão ou risco de lesões.
- **Não exponha a bateria ou a ferramenta ao fogo ou temperatura excessiva.** A exposição ao fogo ou a temperaturas acima dos 130°C pode causar uma explosão.
- **Siga todas as instruções de carregamento e não carregue a bateria nem a ferramenta a uma temperatura fora dos parâmetros especificados nas instruções.** Carregar incorretamente ou a temperaturas fora dos parâmetros especificados pode danificar a bateria e aumentar o risco de fogo.

### **⚠ Avisos de segurança gerais da ferramenta elétrica - Reparação.**

- **A manutenção da sua ferramenta elétrica deverá ser sempre efetuada por pessoas qualificadas, utilizando apenas peças de substituição idênticas.** Tal irá assegurar que a segurança da ferramenta elétrica é mantida.
- **Nunca tente reparar uma bateria danificada.** A reparação das baterias só deverá ser efetuada pelo fabricante ou por um reparador autorizado.
- Se ocorrerem situações que não sejam abrangidas por este manual, tenha cuidado e faça uso do bom senso. Contacte o centro de reparação da EGO para obter assistência.

### **GUARDE ESTAS INSTRUÇÕES**

**AS REGRAS DE SEGURANÇA ESPECÍFICAS ADICIONAIS PODEM SER ENCONTRADAS NOS MANUAIS DE INSTRUÇÃO DOS ACESSÓRIOS APLICÁVEIS.**

## CARACTERÍSTICAS TÉCNICAS

Voltagem	56 V ---
Temperatura de funcionamento recomendada:	0°C-40°C
Temperatura de armazenamento recomendada	-20°C-70°C
Peso	3,9kg

## DESCRIÇÃO

### CONHEÇA A SUA HASTE TELESCÓPICA ELÉTRICA (Imagem A)

1. Pega traseira
2. Trinco de fixação
3. Ilhó de transporte
4. Pega dianteira
5. Manipulo de fixação
6. Botão de libertação do eixo
7. Manipulo de fixação
8. Acoplador
9. Tubo telescópico
10. Gatilho da velocidade variável
11. Suporte da ferramenta
12. Alça para o ombro
13. Mecanismo de ejeção
14. Trinco
15. Botão de libertação da bateria
16. Suporte da chave
17. Chave combinada

### LISTA DE PEÇAS (IMAGEM A)

## MONTAGEM

**⚠️ AVISO:** Se houver peças danificadas ou em falta, não utilize o produto até ter substituído essas peças. Utilizar este produto com peças danificadas ou em falta pode dar origem a lesões pessoais sérias.

**⚠️ AVISO:** Retire sempre a bateria do produto quando estiver a montar peças, fazer ajustes, limpar ou quando não utilizar o produto.

### INSTALAR UM ACESSÓRIO NA HASTE TELESCÓPICA ELÉTRICA

**⚠️ AVISO:** Leia e compreenda o manual de instruções para cada acessório usado com esta haste telescópica elétrica e siga todos os avisos e instruções. Não seguir todas as instruções pode resultar em choque elétrico, incêndio e/ou ferimentos graves.

**⚠️ AVISO:** Esta haste telescópica elétrica PPX1000 de 56V foi criada para ser usada apenas com acessórios EGO especificados neste manual de instruções ou subsequentemente introduzidos pela EGO para serem usados com esta haste telescópica elétrica. A utilização de outros acessórios não autorizados pode causar lesões pessoais sérias ou danos patrimoniais.

**⚠️ AVISO:** Nunca instale, retire nem ajuste qualquer acessório enquanto a haste telescópica elétrica estiver a funcionar ou com a bateria instalada. Falha em parar o motor e retirar a bateria pode causar ferimentos sérios.

O acessório liga-se à haste telescópica elétrica através de um dispositivo de acoplamento.

1. Pare o motor e retire a bateria.
2. Desaperte o manípulo de fixação.
3. Alinhe a seta no eixo de fixação com o indicador de alinhamento no acoplador, e pressione o eixo de fixação para o acoplador até ouvir um "clique". O acoplador deverá ser posicionado até ao fim na linha de referência no eixo, para que o eixo de fixação fique devidamente fixado no respetivo lugar. (Imagem B)

B-1	Botão de libertação do eixo	B-4	Linha de referência
B-2	Indicador de alinhamento	B-5	Manipulo de fixação
B-3	Marca da seta		

4. Puxe o eixo do acessório para se certificar de que está bem fixado no acoplador. Caso contrário, pressione o eixo do acessório para o acoplador até ficar fixado no respetivo lugar.
5. Aperte bem o manípulo de fixação.

**⚠️ AVISO:** Certifique-se de que o manípulo de fixação está completamente apertado antes de utilizar o equipamento. Verifique-o periodicamente quanto ao aperto durante a utilização, para evitar ferimentos sérios.

### RETIRAR O ACESSÓRIO DA HASTE TELESCÓPICA ELÉTRICA

1. Pare o motor e retire a bateria.
2. Desaperte o manípulo de fixação.
3. Pressione o botão de libertação do veio. Com o botão pressionado, puxe o eixo de fixação para fora do acoplador.

### MONTAR A ALÇA PARA O OMBRO (Imagem C)

Pressione o gancho da alça para o abrir e fixe no ilhó de transporte.

## ESTICAR O TUBO TELESCÓPICO

A ferramenta vem equipada com um tubo telescópico que se estica até aos 960 mm (completamente esticado).

O manípulo de fixação é usado para manter o tubo telescópico na respetiva posição em qualquer comprimento.

1. Para esticar o tubo telescópico, desape o manípulo de fixação de acordo com o ícone de desbloquear. O tubo telescópico desliza livremente (Imagem D).

D-1	Manípulo de fixação	D-2	Indicação de limite máximo
-----	---------------------	-----	----------------------------

2. Puxe o tubo telescópico para fora, para o comprimento desejado.
3. Para fixar o tubo telescópico, aperte o manípulo de fixação de acordo com o ícone de bloquear.

**AVISO:** Tenha cuidado em todos os passos para não ficar com os dedos ou as mãos presas.

## FUNCIONAMENTO

**AVISO:** Não deixe que a sua familiaridade com o produto o torne descuidado. Lembre-se de que uma fração de segundo de desatenção é o suficiente para sofrer um ferimento sério.

**AVISO:** Utilize sempre proteção ocular. Se não o fizer, pode apanhar com objetos nos olhos, dando origem a possíveis ferimentos graves.

**AVISO:** Não utilize quaisquer acessórios para além dos recomendados pelo fabricante deste produto. A utilização de acessórios que não sejam recomendados pode dar origem a lesões pessoais sérias.

## INSTALAR/RETIRAR A BATERIA

**NOTA:** Carregue por completo a bateria antes da primeira utilização.

### Instalar

Alinhe as abas da bateria com as ranhuras de fixação e pressione a bateria para baixo até ouvir um “clique” (Imagem E).

E-1	Ranhura de fixação	E-2	Abas
-----	--------------------	-----	------

### Retirar

Prima o botão de libertação da bateria e puxe a bateria para fora (Imagem F).

**AVISO:** Para evitar ferimentos sérios, retire sempre a bateria e mantenha as mãos afastadas do trinco de bloqueio e gatilho quando segurar ou transportar a ferramenta.

## ALÇA PARA O OMBRO

Para uma operação melhor e mais segura, coloque a alça no ombro, conforme apresentado na Imagem G, para aliviar o peso dos braços do operador. Ajuste a alça numa posição de funcionamento confortável.

Há dois modos de libertar a pega. Retire-a diretamente do seu ombro (Imagem H) ou pressione o gancho na alça e retire-a do ilhó de transporte fixado no eixo (Imagem I).

**AVISO:** A alça para o ombro é também um mecanismo de libertação rápida em situações perigosas. Quando ocorre uma emergência, retire-a imediatamente do seu ombro, não importa o modo como a alça se encontra.

## SEGURAR A HASTE TELESCÓPICA ELÉTRICA

A haste telescópica elétrica vem equipada com um sistema de duplo gatilho avançado (Imagem J). Cada sistema de gatilho pode ligar e desligar a ferramenta de forma independente. Este método inovador de controlo duplo oferece um funcionamento mais ergonómico para os trabalhos mais difíceis. (Imagem K e L)

## LIGAR/DESLIGAR A HASTE TELESCÓPICA ELÉTRICA

### Ligar a haste telescópica elétrica

Mova o trinco de fixação para a frente e pressione o gatilho da velocidade variável para ligar a haste telescópica elétrica. Quanto mais pressão fizer no gatilho da velocidade variável, maior será a velocidade do acessório.

### Parar

Liberte o gatilho da velocidade variável e o trinco de fixação.

## MANUTENÇÃO

**AVISO:** Quando fizer reparações, utilize apenas peças sobresselentes idênticas. Inspeção e efetue a manutenção da máquina com regularidade. Para assegurar a segurança e bom funcionamento, todas as reparações deverão ser efetuadas por um técnico de reparação qualificado.

**AVISO:** Antes de inspecionar, limpar ou reparar a unidade, pare o motor, espere que todas as peças móveis parem por completo e retire a bateria. O não seguimento destas instruções pode dar origem a ferimentos sérios ou danos patrimoniais.



**⚠ AVISO:** Antes de cada utilização, inspecione todo o produto quanto a peças danificadas, em falta ou soltas, como parafusos, porcas, tampas, etc. Aperte bem todos os fixadores e tampas e não utilize este produto até que todas as peças em falta ou danificadas sejam substituídas. Contacte o centro de apoio ao cliente ou um técnico de reparação qualificado.

### MANUTENÇÃO GERAL

Evite usar solventes quando limpar peças de plástico. Grande parte dos plásticos é suscetível a danos devido a vários tipos de solventes comerciais. Use panos limpos para retirar a sujidade, pó, óleo, gordura, etc.

### LIMPAR A HASTE TELESCÓPICA ELÉTRICA

1. Pare o motor e retire a bateria.
2. Limpe a sujidade e o lixo da haste telescópica elétrica, usando um pano ligeiramente embebido em água e detergente neutro.

**OBSERVAÇÃO:** Não utilize detergentes fortes na estrutura de plástico ou na pega. Estes podem ser danificados por determinados óleos aromáticos, como pinho e limão.

### GUARDAR A HASTE TELESCÓPICA ELÉTRICA

1. Retire a bateria da haste telescópica elétrica antes de a guardar.
2. Limpe todos os objetos estranhos da haste telescópica elétrica.
3. Guarde-a num local inacessível a crianças.
4. Mantenha afastado de agentes corrosivos, como químicos de jardinagem e sais de degelo.

### Proteja o ambiente



Não elimine equipamento elétrico, carregador da bateria e baterias/baterias recarregáveis juntamente com o lixo doméstico comum!

## RESOLUÇÃO DE PROBLEMAS

Consulte o manual de utilização dos respetivos acessórios.

## GARANTIA

### POLÍTICA DE GARANTIA EGO

Visite o website [egopowerplus.com](http://egopowerplus.com) para os termos e condições completos da política de garantia da EGO.

PT

## LEGGERE TUTTE LE ISTRUZIONI!



### LEGGERE IL MANUALE DI ISTRUZIONI

**⚠️ Rischi residui!** Le persone portatrici di dispositivi elettronici, ad esempio pacemaker, devono consultare il proprio medico prima di usare questo prodotto. L'uso di apparecchi elettrici in prossimità di pacemaker cardiaci comporta il rischio di interferenze o malfunzionamento del pacemaker.

**⚠️ AVVERTENZA!** Per garantire sicurezza e affidabilità, tutte le riparazioni e sostituzioni devono essere eseguite da un tecnico qualificato.

## SIMBOLI DI SICUREZZA

Lo scopo dei simboli di sicurezza è attirare l'attenzione dell'operatore su possibili pericoli. I simboli di sicurezza e le relative spiegazioni richiedono la massima attenzione e comprensione da parte dell'operatore. Le avvertenze espresse dai simboli, da sole, non eliminano tutti i rischi. Le istruzioni e le avvertenze non sostituiscono le adeguate misure di prevenzione contro gli incidenti.

**⚠️ AVVERTENZA!** Accertarsi di aver letto e compreso tutte le istruzioni di sicurezza in questo manuale, inclusi tutti i simboli di avvertenza come **“PERICOLO”**, **“AVVERTENZA”** e **“ATTENZIONE”**, prima di usare questo apparecchio. Il mancato rispetto di tutte le istruzioni elencate di seguito comporta il rischio di scossa elettrica, incendio e/o lesioni gravi.

## SIGNIFICATO DEI SIMBOLI



**⚠️ AVVERTENZA!** L'uso di apparecchi elettrici può causare il lancio di oggetti estranei verso l'operatore, con il rischio di lesioni gravi agli occhi. Durante l'uso dell'apparecchio, indossare sempre occhiali protettivi o occhiali di sicurezza con protezioni laterali e, se necessario, una maschera facciale. Si consiglia di indossare una maschera di sicurezza con ampio campo visivo sopra gli occhiali o occhiali di sicurezza standard con protezioni laterali.

## AVVERTENZE DI SICUREZZA

Questa pagina illustra e descrive i simboli di sicurezza che possono comparire sul prodotto. Leggere, comprendere e seguire tutte le istruzioni sull'apparecchio prima di tentare di assemblarlo e ripararlo.

	Avvertenza di sicurezza	Indica un potenziale rischio di infortunio.
	Leggere il manuale di istruzioni	Per ridurre il rischio di infortunio, l'utente deve leggere e comprendere tutte le istruzioni prima di usare questo prodotto.
	Indossare protezioni per gli occhi	Durante l'uso del prodotto, indossare sempre occhiali protettivi o occhiali di sicurezza con protezioni laterali e una maschera facciale.
	CE	Questo prodotto è conforme alle direttive europee applicabili.
	RAEE	I prodotti elettrici non devono essere smaltiti insieme ai rifiuti domestici. Portarli presso un centro di riciclaggio autorizzato.
	Non esporre alla pioggia	Non usare l'apparecchio in caso di pioggia e non lasciarlo all'aperto quando piove.
IPX5	Simbolo IP	Protezione contro l'ingresso di acqua di livello 5
V	Volt	Tensione
mm	Millimetro	Lunghezza o dimensioni
cm	Centimetro	Lunghezza o dimensioni
kg	Chilogrammo	Peso
	Corrente continua	Tipo o caratteristica della corrente

**⚠️ AVVERTENZA!** Leggere tutte le istruzioni e le avvertenze contrassegnate con il simbolo **⚠️**.

Conservare tutte le avvertenze e le istruzioni per futuro riferimento.

Il termine “utensile elettrico” utilizzato nelle avvertenze indica un utensile elettrico alimentato tramite rete elettrica (con cavo) o batterie (senza cavo).

**⚠ Avvertenze di sicurezza comuni a tutti gli utensili elettrici - Sicurezza dell'area di lavoro.**

- **Mantenere l'area di lavoro pulita e ben illuminata. Il disordine e la scarsa illuminazione favoriscono gli incidenti.**
- **Non usare l'utensile elettrico in atmosfere esplosive, ad esempio in presenza di liquidi, gas o polveri infiammabili.** Gli utensili elettrici creano scintille che possono incendiare polveri o fumi.
- **Durante l'uso dell'utensile elettrico, tenere a distanza i bambini e le persone presenti.** Le distrazioni possono far perdere il controllo dell'utensile.

**⚠ Avvertenze di sicurezza comuni a tutti gli utensili elettrici - Sicurezza elettrica.**

- **Le spine degli utensili elettrici devono essere adatte al tipo di presa. Non modificare la spina in alcun modo. Non usare adattatori con gli utensili elettrici dotati di messa a terra (collegati a massa).** L'uso di spine originali corrispondenti al tipo di presa riduce il rischio di scossa elettrica.
- **Evitare il contatto del corpo con superfici collegate a terra come tubi, radiatori, fornelli elettrici e frigoriferi.** Il rischio di scossa elettrica aumenta se il proprio corpo è collegato a terra.
- **Non esporre gli utensili elettrici a pioggia o umidità.** L'infiltrazione di acqua all'interno di un utensile elettrico aumenta il rischio di scossa elettrica.
- **Non utilizzare il cavo in modo improprio. Non usare il cavo per trasportare, tirare o scollegare l'utensile elettrico dalla presa di corrente. Tenere il cavo al riparo da calore, olio, bordi taglienti o parti in movimento.** La presenza di cavi danneggiati o aggrovigliati aumenta il rischio di scossa elettrica.
- **Durante l'uso di un utensile elettrico all'aperto, utilizzare una prolunga idonea per ambienti esterni.** L'uso di un cavo idoneo riduce il rischio di scossa elettrica.
- **Se è necessario lavorare in un luogo umido, utilizzare un circuito elettrico dotato di interruttore differenziale.** L'uso di un interruttore differenziale (RCD) riduce il rischio di scossa elettrica.

**⚠ Avvertenze di sicurezza comuni a tutti gli utensili elettrici - Sicurezza personale.**

- **Durante l'uso di un utensile elettrico, prestare sempre la massima attenzione e utilizzare il buon senso. Non usare un utensile elettrico se si è stanchi o sotto l'effetto di droghe, alcol o farmaci.** Anche un solo momento di disattenzione durante l'uso dell'utensile elettrico può provocare gravi infortuni.

- **Indossare dispositivi di protezione individuale. Indossare sempre protezioni per gli occhi** I dispositivi di protezione individuale come maschere antipolvere, calzature antiscivolo, caschi e cuffie per le orecchie, se utilizzati quando le circostanze lo richiedono, riducono il rischio di infortuni.
- **Prevenire l'avvio accidentale. Assicurarsi che l'interruttore sia in posizione di arresto prima di sollevare, trasportare o collegare l'utensile elettrico alla presa di corrente e/o alla batteria.** Per ridurre il rischio di incidenti, non trasportare gli utensili elettrici tenendo le dita sull'interruttore e non collegarli alla fonte di alimentazione se l'interruttore è in posizione di avvio.
- **Rimuovere eventuali chiavi di regolazione o avvitarlo prima di avviare l'utensile elettrico.** Una chiave rimasta inserita in un elemento mobile dell'utensile elettrico può provocare infortuni.
- **Non allungarsi eccessivamente. Tenere i piedi a contatto con il pavimento e mantenere sempre l'equilibrio.** Ciò assicura un miglior controllo dell'utensile elettrico in situazioni impreviste.
- **Vestirsi in modo adeguato. Non indossare indumenti ampi o gioielli. Tenere capelli, indumenti e guanti lontani dalle parti in movimento.** Indumenti ampi, gioielli o capelli lunghi possono rimanere impigliati nelle parti in movimento.
- **Se sono disponibili dei dispositivi per l'estrazione e la raccolta della polvere, assicurarsi che siano collegati e utilizzati correttamente.** L'uso di tali dispositivi può ridurre i rischi connessi alle polveri.
- **Non lasciare che la familiarità con l'apparecchio (derivata da un uso frequente) abbassi il livello di attenzione.** Anche una minima distrazione può causare gravi infortuni.

**⚠ Avvertenze di sicurezza comuni a tutti gli utensili elettrici - Uso e manutenzione dell'utensile elettrico.**

- **Non forzare l'utensile elettrico. Utilizzare l'utensile più adatto al lavoro da svolgere.** Un utensile elettrico corretto è più sicuro ed efficace al regime per cui è stato progettato.
- **Non usare l'utensile elettrico se l'interruttore non funziona correttamente.** Un utensile elettrico che non può essere controllato dall'interruttore è pericoloso e deve essere riparato.
- **Scollegare la spina dalla presa di corrente e/o rimuovere il gruppo batteria prima di regolare o riporre l'utensile elettrico o di sostituire gli accessori.** Tali misure preventive riducono il rischio di avvio accidentale dell'utensile elettrico.

- **Riporre gli utensili elettrici fuori dalla portata dei bambini e non permetterne l'uso a persone che non hanno familiarità con l'apparecchio o con queste istruzioni.** Gli utensili elettrici sono pericolosi se utilizzati da persone non competenti.
- **Mantenere gli utensili elettrici in buono stato.** Verificare che le parti mobili non siano disallineate o inceppate, che i componenti non siano danneggiati e che non siano presenti altri problemi che potrebbero pregiudicare il corretto funzionamento dell'utensile elettrico. Se l'utensile elettrico è danneggiato, farlo riparare prima di utilizzarlo nuovamente. Molti incidenti sono provocati da utensili elettrici in cattive condizioni.
- **Mantenere gli accessori di taglio puliti e affilati.** Un'adeguata manutenzione e affilatura degli accessori da taglio riduce il rischio di inceppamento e facilita il controllo dell'utensile elettrico.
- **Usare l'utensile elettrico, gli accessori, le punte ecc. conformemente a queste istruzioni, tenendo conto delle condizioni dell'area di lavoro e del tipo di lavoro da svolgere.** L'uso dell'utensile elettrico per operazioni diverse da quelle per cui è progettato può comportare situazioni di pericolo.
- **Mantenere le impugnature e le superfici di presa asciutte, pulite e prive di olio o grasso.** Impugnature e superfici di presa scivolose non garantiscono l'uso sicuro e il controllo dell'utensile in situazioni impreviste.
- **L'asta motore telescopica da 56 V PPX1000 è progettata per essere utilizzata esclusivamente con i seguenti accessori EGO, e con quelli introdotti in futuro da EGO per l'uso con questa asta motore telescopica.**

ACCESSORIO	NUMERO MODELLO
Accessorio tagliasiepi	PTX5100
Accessorio potatore	PSX2500

**⚠ Avvertenze di sicurezza comuni a tutti gli utensili elettrici - Uso e manutenzione della batteria.**

- **Ricaricare la batteria esclusivamente con il caricabatteria specificato dal costruttore.** Un caricabatteria adatto a un certo tipo di gruppo batteria comporta il rischio di incendio se utilizzato con gruppi batteria di tipo diverso.
- **I gruppi batteria devono essere utilizzati esclusivamente con gli utensili per cui sono progettati.** L'uso di altri gruppi batteria comporta il rischio di incendio e infortunio.
- **Quando il gruppo batteria non è in uso, tenerlo lontano da piccoli oggetti metallici, ad esempio**

graffette, monete, chiavi, chiodi, viti ecc. poiché potrebbero creare un collegamento tra i due terminali. Il cortocircuito dei terminali della batteria comporta il rischio di incendio o ustioni.

- **L'utilizzo improprio può causare fuoriuscite di liquido dalla batteria: evitare il contatto con tale liquido. In caso di contatto accidentale, lavare con acqua. Se il liquido entra a contatto con gli occhi, consultare un medico.** Il liquido fuoriuscito dalla batteria può causare irritazioni o ustioni.
- **Non usare gruppi batteria o utensili danneggiati o modificati.** Le batterie danneggiate o modificate possono manifestare comportamenti imprevisti, con il rischio di incendio, esplosione o infortunio.
- **Non esporre il gruppo batteria o l'utensile a fiamme o temperature eccessive.** L'esposizione a fiamme o temperature superiori a 130°C comporta il rischio di esplosione.
- **Rispettare tutte le istruzioni relative alla ricarica e non ricaricare il gruppo batteria o l'utensile a temperature diverse da quelle specificate nelle istruzioni.** Una ricarica eseguita in modo improprio o a temperature diverse da quelle specificate può danneggiare la batteria e aumentare il rischio di incendio.

**⚠ Avvertenze di sicurezza comuni a tutti gli utensili elettrici - Riparazioni.**

- **Affidare la riparazione dell'utensile a personale qualificato e utilizzare esclusivamente parti di ricambio identiche.** Ciò garantisce la sicurezza dell'utensile elettrico.
- **Non riparare gruppi batteria danneggiati.** La riparazione dei gruppi batteria deve essere effettuata esclusivamente dal costruttore o da un centro di assistenza autorizzato.
- **In caso di situazioni non contemplate in questo manuale, agire con cautela e usare il buon senso.** Contattare il centro di assistenza EGO per assistenza.

**CONSERVARE QUESTE ISTRUZIONI**

**ULTERIORI AVVERTENZE DI SICUREZZA SPECIFICHE SONO RIPORTATE NEL MANUALE DI ISTRUZIONI DELL'ACCESSORIO APPLICABILE**

**SPECIFICHE TECNICHE**

Tensione	56 V $\overline{\text{---}}$
Temperatura di funzionamento raccomandata	Da 0°C a 40°C
Temperatura di conservazione raccomandata	Da -20°C a 70°C
Peso	3,9kg

## DESCRIZIONE

### DESCRIZIONE DELL'ASTA MOTORE TELESCOPICA (Fig. A)

1. Impugnatura posteriore
2. Linguetta di bloccaggio
3. Anello di trasporto
4. Impugnatura anteriore
5. Ghiera di bloccaggio
6. Pulsante di rilascio dell'asta
7. Manopola di bloccaggio
8. Attacco
9. Tubo telescopico
10. Interruttore a velocità variabile
11. Supporto per utensile
12. Tracolla
13. Meccanismo di espulsione
14. Dispositivo di chiusura
15. Pulsante di rilascio della batteria
16. Porta-chiave
17. Chiave combinata

### CONTENUTO DELL'IMBALLAGGIO (FIG. A)

### ASSEMBLAGGIO

**⚠ AVVERTENZA!** In caso di componenti danneggiati o mancanti, non usare l'apparecchio finché i componenti non vengono sostituiti. L'uso dell'apparecchio con componenti danneggiati o mancanti comporta il rischio di lesioni gravi.

**⚠ AVVERTENZA!!** Rimuovere il gruppo batteria dall'apparecchio quando non è in uso e prima delle operazioni di assemblaggio, regolazione e pulizia.

### INSTALLAZIONE DELL'ACCESSORIO SULL'ASTA MOTORE TELESCOPICA

**⚠ AVVERTENZA!** Leggere e comprendere integralmente il manuale di istruzioni di ogni accessorio opzionale installabile su questa asta motore telescopica, e rispettare tutte le avvertenze e le istruzioni. Il mancato rispetto di tutte le istruzioni comporta il rischio di scossa elettrica, incendio e/o lesioni gravi.

**⚠ AVVERTENZA!** L'asta motore telescopica da 56 V PPX1000 è progettata per essere utilizzata esclusivamente con gli accessori EGO specificati in questo manuale e quelli introdotti in futuro da EGO per l'uso con questa asta motore telescopica. L'uso di altri accessori non autorizzati comporta il rischio di danni e lesioni gravi.

**⚠ AVVERTENZA!** Non installare, rimuovere o regolare un accessorio quando l'asta motore telescopica è in funzione o con la batteria installata. In caso contrario, sussiste il rischio di lesioni gravi.

L'accessorio si collega all'asta motore telescopica tramite un dispositivo di raccordo.

1. Arrestare il motore e rimuovere il gruppo batteria.
2. Allentare la manopola di bloccaggio.
3. Allineare la freccia sull'asta dell'accessorio con l'indicatore di allineamento sul raccordo e spingere l'asta dell'accessorio nel raccordo fino al "clic". Il raccordo deve essere inserito completamente fino alla linea di riferimento sull'asta (Fig. B).

B-1	Pulsante di rilascio dell'asta	B-4	Linea di riferimento
B-2	Indicatore di allineamento	B-5	Manopola di bloccaggio
B-3	Simbolo della freccia		

4. Tirare l'asta dell'accessorio per verificare che sia fissata saldamente nel raccordo. In caso contrario, spingere l'asta dell'accessorio nel raccordo finché non si incastra in posizione.
5. Serrare la manopola di fissaggio.

**⚠ AVVERTENZA!** Accertarsi che la manopola di fissaggio sia serrata completamente prima di usare l'apparecchio; controllare periodicamente che sia serrata durante l'uso per evitare lesioni gravi.

### RIMOZIONE DELL'ACCESSORIO DALL'ASTA MOTORE TELESCOPICA

1. Arrestare il motore e rimuovere il gruppo batteria.
2. Allentare la manopola di bloccaggio.
3. Tenere premuto il pulsante di rilascio dell'asta ed estrarre l'asta dell'accessorio tirandola.

### INSTALLAZIONE DELLA TRACOLLA (Fig. C)

Premere il moschettone della tracolla per aprirlo e fissarlo all'anello di trasporto.

### ESTENSIONE DEL TUBO TELESCOPICO

L'apparecchio è dotato di un tubo telescopico che può essere esteso fino a 960 mm.

La ghiera di bloccaggio permette di bloccare il tubo telescopico alla lunghezza desiderata.

1. Per allungare il tubo telescopico, ruotare la ghiera di bloccaggio verso il simbolo del lucchetto aperto. Il tubo telescopico scorrerà liberamente (Fig. D).

D-1	Ghiera di bloccaggio	D-2	Indicatore limite massimo
-----	----------------------	-----	---------------------------

2. Tirare il tubo telescopico fino alla lunghezza desiderata.
3. Per bloccare il tubo telescopico in posizione, ruotare la ghiera di bloccaggio verso il simbolo del lucchetto chiuso.

**AVVERTENZA!** Prestare attenzione durante l'operazione per evitare lesioni a dita e mani.

## UTILIZZO

**AVVERTENZA!** La familiarità con questo apparecchio non deve rendere l'operatore disattento. Anche un solo momento di disattenzione comporta il rischio di lesioni gravi.

**AVVERTENZA!** Indossare sempre protezioni per gli occhi per evitare il rischio di oggetti proiettati verso gli occhi dell'operatore e altre lesioni gravi.

**AVVERTENZA!** Non usare accessori non raccomandati dal costruttore dell'apparecchio. L'uso di accessori non raccomandati comporta il rischio di lesioni gravi.

## INSTALLAZIONE/RIMOZIONE DEL GRUPPO BATTERIA

**NOTA:** ricaricare completamente il gruppo batteria prima del primo utilizzo.

### Installazione

Allineare i rilievi sul gruppo batteria con le scanalature di assemblaggio e premere il gruppo batteria fino al "clic" (Fig. E).

E-1	Scanalatura di assemblaggio	E-2	Sporgenza
-----	-----------------------------	-----	-----------

### Scolleghamento

Premere il pulsante di rilascio della batteria ed estrarre il gruppo batteria (Fig. F).

**AVVERTENZA!** Per evitare lesioni gravi, rimuovere sempre il gruppo batteria e tenere le mani lontane dalla linguetta di bloccaggio e dall'interruttore durante il trasporto dell'apparecchio.

## TRACOLLA

Per un funzionamento migliore e sicuro e non concentrare il peso dell'apparecchio sulle braccia, indossare la tracolla sulla spalla come illustrato in Fig. G. Regolare la tracolla per una posizione di lavoro confortevole.

Sono disponibili due modalità di rimozione della tracolla. È possibile sfilarla direttamente dalla spalla (Fig. H) o premere il moschettono della tracolla e separarla dall'anello di trasporto fissato sull'asta (Fig. I).

**AVVERTENZA!** La tracolla funziona anche da meccanismo di rilascio rapido in situazioni di pericolo. In caso di emergenza, sfilarla immediatamente dalla spalla, indipendentemente dalla sua modalità di fissaggio.

## IMPUGNATURA DELL'ASTA MOTORE TELESCOPICA

L'asta motore telescopica è dotata di un avanzato sistema a due interruttori (Fig. J). Ciascun interruttore può avviare e arrestare l'apparecchio in modo indipendente. Questo innovativo sistema a doppio controllo consente un utilizzo ergonomico durante qualsiasi operazione (Fig. K e L).

## AVVIO/ARRESTO DELL'ASTA MOTORE TELESCOPICA

### Avvio dell'asta motore telescopica

Spostare la linguetta di bloccaggio in avanti e premere l'interruttore a velocità variabile per avviare l'asta motore telescopica. Aumentare la pressione sull'interruttore per aumentare la velocità dell'accessorio installato.

### Arresto

Rilasciare l'interruttore a velocità variabile e la linguetta di bloccaggio.

## MANUTENZIONE

**AVVERTENZA!** Per la riparazione dell'apparecchio, usare esclusivamente parti di ricambio identiche. Ispezionare l'apparecchio e sottoporlo a regolare manutenzione. Per garantire sicurezza e affidabilità, tutte le riparazioni e le sostituzioni devono essere eseguite da un tecnico qualificato.

**AVVERTENZA!** Prima di ispezionare, pulire o regolare l'apparecchio, arrestare il motore, attendere che tutte le parti mobili si arrestino e rimuovere il gruppo batteria. Il mancato rispetto di queste istruzioni comporta il rischio di lesioni gravi o danni materiali.

**NOTA:** Prima di ogni utilizzo, ispezionare l'intero apparecchio per verificare che nessun elemento sia mancante e non siano presenti componenti danneggiati o allentati, ad esempio viti, bulloni, cappucci, ecc. Serrare saldamente tutti i dispositivi di fissaggio e non usare l'apparecchio finché tutti i componenti mancanti o danneggiati non vengono sostituiti. Contattare il servizio clienti o un tecnico qualificato.

## MANUTENZIONE GENERALE

Evitare l'uso di solventi durante la pulizia delle parti in plastica. La maggior parte dei materiali plastici può essere danneggiata da diversi tipi di solventi in commercio. Usare un panno pulito per rimuovere sporcizia, polvere, olio, grasso, ecc.

## PULIZIA DELL'ASTA MOTORE TELESCOPICA

1. Arrestare il motore e rimuovere il gruppo batteria.
2. Rimuovere sporcizia e detriti dall'asta motore telescopica usando un panno inumidito con del detergente neutro.

**NOTA:** non usare detergenti aggressivi sulle superfici esterne in plastica o sull'impugnatura perché possono essere danneggiate da alcuni oli aromatici, come pino e limone.

## CONSERVAZIONE DELL'ASTA MOTORE TELESCOPICA

1. Rimuovere il gruppo batteria dall'asta motore telescopica prima di riporla.
2. Rimuovere tutti i materiali estranei dall'asta motore telescopica.
3. Conservarla in un luogo inaccessibile ai bambini.
4. Tenerla al riparo da agenti corrosivi, ad esempio sostanze chimiche per il giardinaggio e sale per disgelo.

## Protezione dell'ambiente



Non smaltire apparecchi elettrici, caricabatteria e batterie/batterie ricaricabili insieme ai rifiuti indifferenziati!

## RISOLUZIONE DEI PROBLEMI

Consultare il manuale di istruzioni dell'accessorio applicabile.

## GARANZIA

### CONDIZIONI DELLA GARANZIA EGO

Visitare il sito web [egopowerplus.com](http://egopowerplus.com) per consultare le condizioni complete della garanzia EGO.

IT

## LEES ALLE INSTRUCTIES!



### LEES DE GEBRUIKSAANWIJZING

**⚠ Restrisico!** Personen met elektronische apparaten, zoals pacemakers, moeten eerst hun arts(en) raadplegen voordat ze dit product gebruiken. De werking van een elektrisch apparaat in de nabijheid van een pacemaker kan een storing of defect van de pacemaker veroorzaken.

NL

**⚠ WAARSCHUWING:** Om een continue veiligheid en betrouwbaarheid te waarborgen, dienen alle reparaties en vervangingen van onderdelen uitgevoerd te worden door een vakbekwame reparateur.

## VEILIGHEIDSSYMBOL

Het doel van de veiligheidssymbolen is om u te wijzen op mogelijke gevaren. Besteed daarom voldoende aandacht hieraan en begrijp de veiligheidssymbolen en bijbehorende uitleg. De symboolwaarschuwingen op zich elimineren geen enkel gevaar. De verstrekte instructies en waarschuwingen gelden niet als vervanging voor gepaste voorzorgsmaatregelen tegen ongevallen.

**⚠ WAARSCHUWING:** Lees en begrijp alle veiligheidsinstructies die in deze gebruiksaanwijzing staan vermeld, waaronder alle veiligheidssymbolen zoals "GEVAAR," "WAARSCHUWING," en "OPGELET" voordat u dit gereedschap in gebruik neemt. Het negeren van onderstaande instructies kan leiden tot een elektrische schok, brand en/of ernstig persoonlijk letsel.

## BETEKENIS VAN DE SYMBOLEN



**⚠ WAARSCHUWING:** De werking van het apparaat kan leiden tot het rondslingeren van (vreemde) objecten die in uw ogen kunnen terechtkomen. Dit kan leiden tot ernstig oogletsel. Wanneer u elektrisch gereedschap gebruikt, zorg er dan voor dat u altijd een veiligheidsbril (met zijschermen) of een gelaatsscherm draagt. We bevelen aan om een gelaatsscherm over uw bril of standaard veiligheidsbril met zijschermen te gebruiken.

## VEILIGHEIDSIINSTRUCTIES

Deze pagina toont en beschrijft alle veiligheidssymbolen die zich op dit product kunnen bevinden. Lees, begrijp en volg alle instructies op de machine voordat u deze in elkaar zet en gebruikt.

	Veiligheidswaarschuwing	Geeft een risico op persoonlijk letsel aan.
	Lees de gebruiksaanwijzing	De gebruiker dient de gebruiksaanwijzing voor het gebruik van dit product te lezen en te begrijpen om risico op letsel te beperken.
	Draag oogbescherming	Draag altijd een veiligheidsbril (met zijschermen) en een gelaatsscherm als u dit product gebruikt.
	CE	Dit product is in overeenstemming met de EG-richtlijnen.
	WEEE	Gooi elektrisch afval niet via het huishoudelijk afval weg. Breng het naar een geautoriseerd recyclingbedrijf.
	Niet aan regen blootstellen	Gebruik het apparaat niet in de regen en laat het tevens niet buiten achter als het regent.
IPX5	IP symbool	Bescherming tegen het binnendringen van water klasse 5
V	Volt	Spanning
mm	Millimeter	Lengte of afmeting
cm	Centimeter	Lengte of afmeting
kg	Kilogram	Gewicht
	Gelijkstroom	Stroomtype of -karakteristiek

**⚠ WAARSCHUWING:** Lees alle veiligheidswaarschuwingen die bij het **⚠** symbool horen en alle instructies.

**Bewaar alle waarschuwingen en instructies voor toekomstig gebruik.**

De term "elektrisch gereedschap" in de waarschuwingen verwijst naar uw op het voedingsnet aangedreven (met snoer) elektrisch gereedschap of batterij aangedreven (snoerloos) elektrisch gereedschap.



**⚠ Algemene veiligheidswaarschuwingen voor elektrisch gereedschap - veiligheid op de werkplek.**

- **Houd uw werkplaats schoon en goed verlicht.** Rommelige of donkere ruimten kunnen ongevallen veroorzaken.
- **Gebruik elektrisch gereedschap niet in explosieve omgevingen, zoals in de aanwezigheid van ontvlambare vloeistoffen, gassen of stof.** Elektrisch gereedschap creëert vonken, deze kunnen stof of dampen in brand steken.
- **Houd kinderen en omstanders uit de buurt wanneer u een elektrisch gereedschap bedient.** Aflleiding kan tot controleverlies leiden.

**⚠ Algemene veiligheidswaarschuwingen voor elektrisch gereedschap - elektrische veiligheid.**

- **De stekker van het elektrisch gereedschap dient met het stopcontact overeen te stemmen. Pas de stekker op geen enkele manier aan. Gebruik geen adapterstekker met geaard elektrisch gereedschap.** Niet aangepaste stekkers en overeenkomstige stopcontacten beperken het risico op elektrische schokken.
- **Vermijd lichamelijk contact met gearde oppervlakken, zoals pijpleidingen, radiatoren, fornuizen of koelkasten.** Het risico op een elektrische schok is groter als uw lichaam geaard is.
- **Stel elektrisch gereedschap niet bloot aan regen of vochtige omstandigheden.** Water dat elektrisch gereedschap binnendringt, vergroot het risico op een elektrische schok.
- **Gebruik de kabel niet op een verkeerde manier. Gebruik de kabel nooit om het elektrisch gereedschap te dragen, te trekken of om de stekker uit het stopcontact te halen. Houd de kabel uit de buurt van hitte, olie, scherpe randen of bewegende onderdelen.** Beschadigde of verstrikte kabels vergroten het risico op een elektrische schok.
- **Wanneer u een elektrisch gereedschap buitenshuis bedient, gebruik dan een verlengkabel die geschikt is voor gebruik buitenshuis.** Het gebruik van een kabel die voor gebruik buitenshuis geschikt is, verkleint het risico op een elektrische schok.
- **Als het gebruik van elektrisch gereedschap in een vochtige ruimte noodzakelijk is, gebruik dan een aardlekschakelaar.** Het gebruik van een aardlekschakelaar verkleint het risico op een elektrische schok.

**⚠ Algemene veiligheidswaarschuwingen voor elektrisch gereedschap - persoonlijke veiligheid.**

- **Wees waakzaam, let op wat u doet en gebruik uw gezond verstand wanneer u elektrisch gereedschap gebruikt. Gebruik een elektrisch gereedschap niet als u moe bent of onder invloed staat van drugs, alcohol of medicijnen.** Een moment van onoplettendheid tijdens het gebruik van elektrische gereedschappen kan leiden tot ernstig persoonlijk letsel.
- **Gebruik persoonlijke beschermingsmiddelen. Draag altijd oogbescherming.** Beschermingsmiddelen zoals een stofmasker, slijpvaste werkschoenen, veiligheidshelm of gehoorbescherming afhankelijk van de aard en het gebruik van het gereedschap verkleint het risico op persoonlijk letsel.
- **Vermijd dat het gereedschap per ongeluk wordt gestart. Zorg dat de schakelaar op de stand 'Uit' is ingesteld voordat u het gereedschap op een stroombron en/of accupack aansluit, vastneemt of draagt.** Het dragen van elektrisch gereedschap met uw vinger op de schakelaar of gereedschap ingeschakeld op de stroomvoorziening aansluiten kan ongevallen veroorzaken.
- **Verwijder instelsleutels of moersleutels voordat u het elektrisch gereedschap inschakelt.** Een instelsleutel of moersleutel in een draaiend deel van het elektrisch gereedschap achterlaten kan leiden tot persoonlijk letsel.
- **Reik niet te ver. Zorg er altijd voor dat u stevig en stabiel staat.** Dit zorgt ervoor dat u het elektrisch gereedschap in onverwachte situaties beter onder controle kunt houden.
- **Draag passende kleding. Draag geen los hangende kleding of sieraden. Houd uw haar, kleding en handschoenen uit de buurt van bewegende onderdelen.** Los hangende kleding, sieraden en lang haar kunnen in bewegende onderdelen verstrikt raken.
- **Wanneer de montage van stofafzuiging- of stofopvangvoorzieningen mogelijk is, dient u ervoor te zorgen dat deze juist aangesloten en gebruikt worden.** Het gebruik van voorzieningen voor stofopvang kan helpen om het risico in verband met stof te verlagen.
- **Word niet zelfingenomen door de ervaring die u heeft opgedaan door frequent gebruik, waardoor u dan de veiligheidswaarschuwingen negeert.** Een achteloze actie kan binnen een fractie van een seconde ernstig letsel veroorzaken.

## **⚠ Algemene veiligheidswaarschuwingen voor elektrisch gereedschap - het gebruik en onderhoud van elektrisch gereedschap.**

- **Overbelast het elektrisch gereedschap niet.** Gebruik het juiste elektrisch gereedschap voor uw toepassing. Met het juiste elektrisch gereedschap werkt u beter en veiliger binnen het aangegeven vermogensbereik.
- **Gebruik het elektrisch gereedschap niet als de schakelaar niet kan worden in- en uitgeschakeld.** Elektrisch gereedschap dat niet kan worden in- of uitgeschakeld is gevaarlijk en moet worden gerepareerd.
- **Trek de stekker uit het stopcontact en/of verwijder het accupack voordat u het elektrisch gereedschap instelt, accessoires vervangt of het gereedschap opbergt.** Deze preventieve voorzorgsmaatregelen beperken het risico op onbedoeld starten van het elektrisch gereedschap.
- **Berg niet-gebruikt elektrisch gereedschap op buiten het bereik van kinderen en zorg ervoor dat personen die niet vertrouwd zijn met het gereedschap of die deze instructies niet hebben gelezen het gereedschap niet gebruiken.** Elektrisch gereedschap is gevaarlijk wanneer het door onervaren personen wordt gebruikt.
- **Draag goed zorg voor uw elektrisch gereedschap. Controleer of de bewegende onderdelen correct functioneren en niet vastklemmen en of de onderdelen zodanig gebroken of beschadigd zijn dat de werking van het elektrisch gereedschap nadelig wordt beïnvloed. Laat een beschadigd elektrisch gereedschap eerst repareren voordat u het weer in gebruik neemt.** Vele ongevallen zijn het gevolg van slecht onderhouden elektrisch gereedschap.
- **Houd de snij-onderdelen scherp en schoon.** Zorgvuldig onderhouden snij-gereedschap met scherpe snijranden klemt minder snel vast en is gemakkelijker te beheersen.
- **Gebruik het elektrisch gereedschap, accessoires, inzetgereedschap, etc. in overeenstemming met deze instructies en houd hierbij rekening met de werkomstandigheden en de uit te voeren werkzaamheden.** Het gebruik van elektrisch gereedschap voor andere dan de beoogde toepassingen kan tot gevaarlijke situaties leiden.
- **Houd de handgrepen en greepvlakken droog, schoon en vrij van olie en smeervet.** Glibberige handgrepen en greepvlakken maken een veilige omgang en de controle over het elektrisch gereedschap in onverwachte situaties onmogelijk.

- Deze 56V telescopische elektrische paal PPX1000 kan alleen worden gebruikt voor het volgende EGO toebehoor of die later door EGO op de markt worden gebracht om met deze telescopische elektrische paal te worden gebruikt:

TOEBEHOOR TYPE	MODELNUMMER
Heggenschaar toebehoor	PTX5100
Zaag met paal-toebehoor	PSX2500

## **⚠ Algemene veiligheidswaarschuwingen voor elektrisch gereedschap - het gebruik en onderhoud van accugereedschap.**

- **Opladen alleen met de lader die door de fabrikant is aangegeven.** Een lader die geschikt is voor een bepaald type accupack kan tot brandgevaar leiden wanneer hij gebruikt wordt met een ander accupack.
- **Gebruik elektrisch gereedschap alleen met het specifiek aangegeven accupack.** Het gebruik van andere accupacks kan risico op letsel en brandgevaar veroorzaken.
- **Wanneer u het accupack niet gebruikt, houd het uit de buurt van andere metalen voorwerpen zoals paperclips, muntstukken, sleutels, spijkers, schroeven of andere kleine metalen voorwerpen die de twee aansluitklemmen kunnen verbinden.** Het kortsluiten van de aansluitklemmen kan brandwonden of brand veroorzaken.
- **Bij verkeerd gebruik kan er vloeistof uit de accu worden gespoten; vermijd elk contact. Als aanraking met de vloeistof toevallig plaatsvindt, spoel het dan af met water. Als de vloeistof in de ogen komt, dient u onmiddellijk een arts te consulteren.** Vloeistof dat uit de accu wordt gespoten kan irritatie of brandwonden veroorzaken.
- **Gebruik geen accupack of gereedschap dat is beschadigd of aangepast.** Beschadigde of aangepaste accu's kunnen resulteren in onvoorzien gedrag zoals brand, explosie of het risico op letsel.
- **Stel een accupack of gereedschap niet bloot aan vuur of excessieve temperaturen.** Blootstelling aan vuur of temperaturen boven 130°C kunnen leiden tot een explosie.
- **Neem alle laadinstructies in acht en laad het accupack of het gereedschap niet buiten het gespecificeerde temperatuurbereik in de handleiding op.** Het onjuist laden of bij een temperatuur buiten het temperatuurbereik kan de accu beschadigen en er bestaat een gevaar op brand.

**⚠ Algemene veiligheidswaarschuwingen voor elektrisch gereedschap - onderhoud.**

- **Laat uw elektrisch gereedschap repareren door een gekwalificeerde reparateur en alleen met identieke reserve-onderdelen.** Dit waarborgt de veiligheid van het elektrisch gereedschap.
- **Repareer beschadigde accupacks nooit.** Onderhoud van accupacks mag alleen worden uitgevoerd door de fabrikant of een geautoriseerde dienstverlener.
- Als er zich situaties voordoen die niet in deze handleiding zijn behandeld, gebruik uw gezond verstand. Neem contact op met het EGO servicecentrum voor hulp.

**BEWAAR DEZE GEBRUIKSAANWIJZING**

**AANVULLENDE SPECIFIEKE VEILIGHEIDSinSTRUCTIES VINDT U IN DE DESBETREFFENDE GEBRUIKSAANWIJZING**

**SPECIFICATIES**

Spanning	56 V ---
Aanbevolen bedrijfstemperatuur:	0°C-40°C
Aanbevolen opslagtemperatuur	-20°C-70°C
Gewicht	3,9kg

**BESCHRIJVING**

**KEN UW TELESCOPISCHE ELEKTRISCHE PAAL (afb. A)**

1. Achterste handgreep
2. Sluitlip
3. Draaagoogje
4. Voorste handgreep
5. Klemknop
6. Asvrijgaveknop
7. Vergrendelingsknop
8. Koppeling
9. Telescopische buis
10. Instelbare snelheidsknop
11. Gereedschapsondersteuning
12. Schouderriem
13. Uitwerpmechanisme
14. Vergrendeling
15. Accu-ontgrendelingsknop
16. Sleutelhouder
17. Combi-sleutel

**PAKLIJST (AFB.A)**

**MONTAGE**

**⚠ WAARSCHUWING:** Als er onderdelen beschadigd zijn of ontbreken, gebruik dit product niet totdat alle onderdelen vervangen of aanwezig zijn. Dit product gebruiken met beschadigde of ontbrekende onderdelen kan ernstig persoonlijk letsel veroorzaken.

**⚠ WAARSCHUWING:** Verwijder altijd het accupack uit het product wanneer u onderdelen monteert, aanpassingen uitvoert, het product reinigt of wanneer het niet in gebruik is.

**BEVESTIGEN VAN EEN TOEBEHOOR OP DE TELESCOPISCHE ELEKTRISCHE PAAL**

**⚠ WAARSCHUWING:** Lees en begrijp de hele gebruiksaanwijzing voor elk optioneel toebehoor dat met deze telescopische elektrische paal wordt gebruikt en neem alle waarschuwingen en instructies in acht. Het negeren van alle instructies kan leiden tot een elektrische schok, brand en/of ernstig persoonlijk letsel.

**⚠ WAARSCHUWING:** De 56V telescopische elektrische paal PPX1000 is ontworpen om te worden gebruikt met EGO toebehoor dat wordt vermeld in de gebruiksaanwijzing of op een later tijdstip door EGO nog op de markt wordt gebracht voor deze telescopische elektrische paal. Het gebruik van ander, niet geautoriseerd toebehoor kan ernstig persoonlijk letsel of materiële schade veroorzaken.

**⚠ WAARSCHUWING:** Installeer, verwijder of pas een toebehoor nooit aan terwijl de telescopische elektrische paal loopt of de accu is geïnstalleerd. Het niet stoppen van de motor of het niet verwijderen van de accu kan ernstig persoonlijk letsel tot gevolg hebben.

Het toebehoor wordt met behulp van een koppeling vastgemaakt aan de telescopische elektrische paal.

1. Stop de motor en verwijder het accupack.
2. Maak de vergrendelingsknop los.
3. Breng de pijl van de toebehoorschacht in één lijn met de uitlijningsindicator op de koppeling en druk de toebehoorschacht in de koppeling totdat u een "klik" hoort. De koppeling moet helemaal op de referentielijl van de schacht worden geplaatst zodat de toebehoorschacht juist is gemonteerd. (Afb. B).

B-1	Asvrijgaveknop	B-4	referentielijn
B-2	Uittijningsindicator	B-5	Vergrendelingsknop
B-3	Pijlmarkering		

- Trek aan de schacht van het toebehoor om te controleren dat deze correct is bevestigd op de koppeling. Indien dat niet het geval is, drukt u de schacht in de koppeling totdat deze vastklikt.
- Draai de vergrendelingsknop stevig vast.

NL

**⚠ WAARSCHUWING:** Controleer of de vergrendelingsknop helemaal is vastgedraaid voordat u het apparaat in gebruik neemt; controleer regelmatig de bevestiging tijdens het gebruik om ernstig persoonlijk letsel te voorkomen.

## HET TOEBEHOOR VAN DE TELESCOPISCHE ELEKTRISCHE PAAL VERWIJDEREN

- Stop de motor en verwijder het accupack.
- Maak de vergrendelingsknop los.
- Druk op de ontgrendelingsknop voor de schacht en met de knop ingedrukt, trekt u de bevestigingsovergang uit het koppelmechanisme.

## DE SCHOUDERRIEM BEVESTIGEN (afb. C)

Druk het bevestigingshaak van de riem in om hem te openen en bevestig hem op het draagoojje.

## DE TELESCOPISCHE BUIS VERLENGEN

Het gereedschap is voorzien van een telescopische buis die kan worden uitgetrokken tot een lengte van 960 mm (volledig uitgetrokken).

De klemknop wordt gebruikt om de telescopische buis in verlengde positie op zijn plek te houden.

- Om de telescopische buis uit te trekken, moet u de klemknop losmaken door het ontgrendelingsymbool te volgen. De telescopische buis kan vrij bewegen (afb. D)

D-1	Klemknop	D-2	Indicatie voor de maximum grens
-----	----------	-----	---------------------------------

- Trek de telescopische buis uit tot op de gewenste lengte.
- Om de telescopische buis op zijn plek te vergrendelen, moet u de klemknop vastdraaien door het vergrendelingsymbool te volgen.

**⚠ WAARSCHUWING:** Pas bij elke stap goed op, zodat u uw hand of vingers niet vast klemt.

## GEBRUIK

**⚠ WAARSCHUWING:** Vertrouwdheid kan leiden tot onvoorzichtigheid. Opgelet, één seconde van onoplettendheid kan ernstig letsel teweegbrengen.

**⚠ WAARSCHUWING:** Draag altijd oogbescherming. Het niet dragen van deze beschermingsuitrusting kan ertoe leiden dat voorwerpen in uw ogen terecht komen of kan een ander ernstig letsel veroorzaken.

**⚠ WAARSCHUWING:** Gebruik geen opzetstukken of toebehoren die niet door de fabrikant van dit product zijn aanbevolen. Het gebruik van niet aanbevolen opzetstukken of toebehoren kan leiden tot ernstig persoonlijk letsel.

## INSTALLEREN/VERWIJDEREN VAN HET ACCUPACK

**OPMERKING:** Laad het accupack voor de eerste ingebruikname volledig op.

### Installeren

Breng de ribbels van de accu overeen met de montagesleuven en druk het accupack naar beneden totdat u "klik" hoort (afb. E).

E-1	Montagesleuf	E-2	Ribbel
-----	--------------	-----	--------

### Verwijderen

Druk de accu-ontgrendelingsknop naar beneden en trek het accupack eruit (afb. F).

**⚠ WAARSCHUWING:** Om ernstig persoonlijk letsel te voorkomen, dient u het accupack altijd te verwijderen en de handen buiten het bereik van de sluitlip en inschakelknop te houden tijdens het dragen of transporteren van het gereedschap.

## SCHOUDERRIEM

Voor een veilig en beter gebruik draagt u de schouderriem over de schouder zoals weergegeven in afb. G om het gewicht op de armen van de gebruiker te verlagen. Pas de schouderriem aan zodat u een comfortabele werkpositie bereikt.

Er bestaan twee mogelijkheden om de riem los te maken. Haal hem direct van de schouder (afb. H) of druk de haak van de riem en haal hem van het draagoojje dat op de schacht is gefixeerd (afb. I)

**⚠ WAARSCHUWING:** De schouderriem heeft ook een snelontspanningsmechanisme voor in gevaarlijke situaties. Als er sprake is van een noodgeval, haalt u hem direct van de schouder, ongeacht hoe de riem zit.

## DE TELESCOPISCHE ELEKTRISCHE PAAL VAST- HOUDEN

De telescopische elektrische paal is voorzien van een geavanceerd duaal schakelaarsysteem (afb. J). Elk schakelaarsysteem kan onafhankelijk van elkaar het gereedschap aan en uit schakelen. De innovatieve duale schakelaarmethode biedt de meest ergonomische bediening tijdens het dagelijkse harde werk. (Afb. K&L)

## DE TELESCOPISCHE ELEKTRISCHE PAAL STARTEN/ STOPPEN

### De telescopische elektrische paal starten

Beweeg de sluitlip naar voren en druk de variabele snelheidsschakelaar om de telescopische elektrische paal. Hoe meer druk u uitoefent op de variabele snelheidsschakelaar, hoe hoger de snelheid van het koptoebehoor is.

### Stoppen

Laat de variabele snelheidsschakelaar en de sluitlip los.

## ONDERHOUD

**⚠ WAARSCHUWING:** Bij reparatie, gebruik uitsluitend identieke reserve-onderdelen. Controleer en onderhoud het gereedschap regelmatig. Laat alle reparaties uitvoeren door een vakbekwame reparateur om een continue veiligheid en betrouwbaarheid te waarborgen.

**⚠ WAARSCHUWING:** Voor het inspecteren, reinigen of onderhouden van het apparaat dient u de motor te stoppen, te wachten totdat alle bewegende onderdelen tot stilstand zijn gekomen en het accupack te verwijderen. Het negeren van deze instructies kan ernstig persoonlijk letsel of materiële schade tot gevolg hebben.

**⚠ OPMERKING:** Voor elk gebruik dient u het complete product op beschadigingen, missende of los zittende onderdelen zoals schroeven, moeren, bouten, doppen etc. te controleren. Draai alle bevestigingen en doppen goed vast en gebruik dit product niet totdat alle missende of beschadigde onderdelen zijn vervangen. Neem alstublieft contact op met de klantenservice of een gekwalificeerde onderhoudsmonteur.

## ALGEMEEN ONDERHOUD

Maak de kunststof onderdelen niet schoon met oplosmiddelen. De meeste kunststoffen kunnen worden beschadigd wanneer ze in contact komen met commerciële oplosmiddelen. Gebruik een schone doek voor het verwijderen van vuil, stof, olie, smeer, etc.

## DE TELESCOPISCHE ELEKTRISCHE PAAL REINIGEN

1. Stop de motor en verwijder het accupack.

2. Verwijder met behulp van een vochtig doekje en een mild reinigingsmiddel vuil en verontreinigingen van de telescopische elektrische paal.

**OPMERKING:** Maak de kunststof behuizing of handgreep niet schoon met een agressief schoonmaakmiddel. Deze kunnen door bepaalde aromatische oliën, zoals pijnboom en citroen worden beschadigd.

## DE TELESCOPISCHE ELEKTRISCHE PAAL OPBERGEN

1. Verwijder het accupack van de telescopische elektrische paal alvorens hem op te bergen.
2. Verwijder al het vreemde materiaal van de telescopische elektrische paal.
3. Berg binnenshuis op in een ruimte die voor kinderen ontoegankelijk is.
4. Houd uit de buurt van corrosieve middelen, zoals tuinchemicaliën en strooizout.

## Het milieu beschermen



Gooi geen elektrische apparaten, acculaders en accu's/oplaadbare batterijen met het huisafval weg!

## PROBLEEMOPLOSSING

Zie de gebruiksaanwijzing van het geschikte toebehoor.

## GARANTIE

### EGO GARANTIEBELEID

Bezoek alstublieft de website [egopowerplus.com](http://egopowerplus.com) voor de volledige voorwaarden van het EGO garantiebeleid.

## LÆS ALLE ANVISNINGER!



### LÆS BRUGERVEJLEDNINGEN

**⚠ Resterende risiko!** Folk med elektroniske anordninger, såsom pacemakere, bør spørge deres læge(r) til råds, før de bruger dette produkt. Betjening af elektrisk udstyr i umiddelbar nærhed af et hjerte pacemaker kan forårsage forstyrrelser eller svigt af pacemakeren.

**⚠ ADVARSEL:** For at sikre sikkerhed og pålidelighed bør alle reparationer og udskiftninger udføres af en kvalificeret servicetekniker.

DK

## SIKKERHEDSSYMBOL

Formålet med sikkerheds- symboler er at tiltrække din opmærksomhed på mulige farer. Du bør være meget opmærksom på sikkerhedssymbolerne og forklaringerne til dem og lære at forstå dem. Symbolernes advarsler fjerner ikke i sig selv eventuelle farer. De anvisninger og advarsler, de giver ingen erstatninger for ordentlig forebyggelse af ulykker foranstaltninger.

**⚠ ADVARSEL:** Sørg for at læse og forstå alle sikkerhedsanvisninger i denne brugsanvisning, inklusive alle sikkerhedssymboler, såsom "FARE", "ADVARSEL" og "FORSIGTIG", før du bruger dette værktøj. Hvis anvisningerne nedenfor ikke følges, kan det føre til elektrisk stød, brand og/eller alvorlig personskade.

## SYMBOL BETYDNING



**⚠ ADVARSEL:** Når elværktøjer bruges, er der altid en risiko for at genstande slynges ind i øjnene, som kan føre til alvorlige øjenskader. Inden du begynder elværktøj drift, altid bære beskyttelsesbriller eller sikkerhedsbriller med side skjolde og en fuld ansigtsmaske når det er nødvendigt. Vi anbefaler en Wide Vision Safety Maske til brug over briller eller standard sikkerhedsbriller med sideskærme.

## SIKKERHEDSANVISNINGER

Denne side viser og beskriver sikkerheds- symboler, der kan vises på dette produkt. Læs, forstå, og følg alle anvisninger på maskinen, før du forsøger at samle og betjene den.

	Sikkerheds- advarsel	Angiver en potentiel fare for personskade.
	Læs brugsan- visningen	For at reducere risikoen for skader, skal brugeren læse og forstå brugsanvisningen, før dette produkt tages i brug.
	Wear Eye Protection	Bær altid beskyttelsesbriller eller sikkerhedsbriller med side skjolde og en fuld ansigtsskærm, når du betjener dette produkt.
	CE	Dette produkt er i overens- stemmelse med gældende EU-direktiver.
	WEEE	Elektriske affaldsprodukter må ikke bortskaffes sammen med husholdningsaffald. Tag det til en godkendt genbrugsplads.
	Må ikke udsættes for regn	Må ikke bruges i regn og må ikke efterlades udenfor i regnevej.
IPX5	IP-symbol	Beskyttelse mod indtrængen af vand grad 5
V	Volt	Spænding
mm	Millimeter	Længde eller størrelse
cm	Centimeter	Længde eller størrelse
kg	Kg	Vægt
	Jævnstrøm (DC)	Spændingstype eller egenskab

**⚠ ADVARSEL:** Læs alle sikkerhedsadvarslerne på symbolet og alle instruktionerne.

Gem alle advarsler og instruktioner til fremtidig reference.

Udtrykket "elværktøj" i advarslerne henviser til eldrevet (ledningsforbundet) og batteridrevet (ledningsfrit) elværktøj.

### **⚠ Generelle sikkerhedsadvarsler om elektriske værktøjer - sikkerheds omkring arbejdsområdet.**

- **Sørg for, at arbejdsområdet er rent og godt belyst. Et rodet eller mørkt område kan føre til ulykker.**
- **Elværktøjet må ikke bruges i eksplosive miljøer, såsom steder med brændbare væsker, benzin eller støv.** Elværktøj kan slå gnister og antænde støv og dampe.
- **Hold børn og tilskuere på afstand, når et elværktøj er i brug.** Distraktioner kan medføre, at du mister kontrollen.

### **⚠ Generelle sikkerhedsadvarsler om elektriske værktøjer - sikkerheds omkring elektricitet.**

- **Stikket på elværktøjet skal passe i stikkontakten. Stikket må på ingen måde ændres. Jordforbundet elværktøj må ikke bruges med et adapterstik.** Uændrede stik, der passer til stikkontakterne, nedsætter risikoen for elektrisk stød.
- **Undgå kropskontakt med jordforbundne overflader, såsom rør, radiatorer, komfurer og køleskabe.** Der er øget risiko for elektrisk stød, hvis din krop er jordforbundet.
- **Elværktøj må ikke udsættes for regn eller våde forhold.** Vand kommer ind et elværktøj øger risikoen for elektrisk stød.
- **Ledningen må ikke mishandles. Brug aldrig ledningen til at bære eller trække elværktøjet eller til at trække stikket ud af stikkontakten. Hold ledningen væk fra varme, olie, skarpe kanter og bevægelige dele.** Beskadigede eller sammenfiltrede ledninger, øger risikoen for elektrisk stød.
- **Når et elværktøj bruges udendørs, skal der bruges en forlængerledning, der er egnet til udendørs brug.** Brug af en egnet ledning til udendørs brug, reducerer risikoen for elektrisk stød.
- **Hvis et elværktøj skal bruges på et fugtigt sted, skal du bruge en strømforsyning med et fejlstrømsrelæ.** Brug af et fejlstrømsrelæ, reduceres risikoen for elektrisk stød.

### **⚠ Generelle sikkerhedsadvarsler om elektriske værktøjer - personlig sikkerhed.**

- **Vær forsigtig, hold øje med hvad du laver, og brug din sunde fornuft, når du bruger et elværktøj. Brug ikke et elværktøj, hvis du er træt eller under indflydelse af narkotika, alkohol eller medicin.** Et øjeblik uopmærksomhed, kan føre til alvorlige personskader.
- **Brug personligt beskyttelsesudstyr. Brug altid beskyttelsesbriller.** Værnemidler såsom støvmaske, skridsikre sikkerhedssko, hjelm eller høreværn, der anvendes til passende betingelser nedsætter risikoen for personskader.

- **Forhindre utilsigtet start. Sørg for, at tænd/slukknappen er slukket, inden apparatet sluttes til strømkilden eller batteripakken, samt inden det løftes op eller bæres rundt.** Hvis elværktøjet bæres med fingeren på kontakten, eller oplades med tænd/sluk-knappen tændt, øger det risikoen for ulykker.
- **Fjern indstillingsværktøj eller skruenøgler, før elværktøjet startes.** En skruenøgle eller en nøgle sidder i en roterende del af elektrisk værktøj, kan resultere i personskade.
- **Undgå at række for langt frem. Sørg altid for at stå ordentligt fast og i god balance.** Dette giver bedre kontrol af det elektriske værktøj når uventede situationer.
- **Brug passende tøj. Undgå, at bære løstsiddende tøj eller smykker. Hold dit hår, tøj og handsker fra bevægelige dele.** Løse tøj, smykker eller langt hår kan blive fanget i bevægelige dele.
- **Hvis der monteres tilbehør til opsamling af støv eller andet, skal det sikres, at disse monteres og bruges korrekt.** Anvendelse af støvanordninger kan mindske støvrelaterede risici.
- **Selvom du ofte bruger og har et godt kendskab til værktøjer, må du ikke være overmodig eller glemme sikkerhedsprincipperne.** En uagtsom handling kan forårsage alvorlig skade i en brøkdæl af et sekund.

### **⚠ Generelle sikkerhedsadvarsler om elektriske værktøjer - brug og pleje af elværktøjet.**

- **Elværktøjet må ikke tvinges under brug. Brug det korrekte elværktøj til formålet.** Det rigtige elværktøj gør arbejdet bedre og mere sikkert, da det er beregnet til formålet.
- **Brug ikke elværktøjet, hvis kontakten ikke kan tænde og slukke.** Alt elværktøj, hvor kontakterne ikke dur, er farligt og skal repareres.
- **Træk stikket til apparatets strømforsyning ud af stikkontakten og/eller fjern batteripakken, inden du foretager justeringer, skifter tilbehør eller lægger elværktøjet til opbevaring.** Sådanne forebyggende sikkerhedsforanstaltninger mindsker risikoen for at starte elværktøjet utilsigtet.
- **Opbevar elværktøj, der ikke bruges, utilgængeligt for børn, og tillad ikke personer, der ikke kender elværktøjet eller disse anvisninger, at bruge elværktøjet.** Elværktøj er farligt i hænderne på brugere, der ikke ved, hvordan det skal bruges.
- **Vedligeholdelse af elværktøj. Kontroller, at de bevægelige dele ikke er fejljusterede eller binder eller er i en tilstand, der kan påvirke elværktøjets drift. Få beskadigede elværktøjet repareret før brug.** Mange ulykker er forårsaget af dårligt vedligeholdt elværktøj.

- **Hold skæreværktøj skarpe og rene.** Skæreværktøjer med skarpe kanter, der vedligeholdes ordentligt, er mindre tilbøjelige til at binde og er lettere at styre.
- **Elværktøjet, tilbehør og bits osv. skal bruges i overensstemmelse med disse instruktioner, hvor arbejdsforholdene og arbejdet, der skal udføres, skal tages i betragtning.** Anvendelse af elværktøj til andre formål end dem, de er beregnet til, kan medføre en farlig situation.
- **Hold håndtag og grebflader tørre, rene og fri for olie og fedt.** Glatte håndtag og glatte overflader, der holdes i, gør værktøjet farligt at bruge i uventede situationer.
- Denne 56 V strømforsynet teleskopstang PPX1000 må kun bruges med følgende tilbehør fra EGO, og evt. tilbehør, der produceres senere af EGO:

TILBEHØRSTYPE	MODELNUMMER
Hækkeklippertilbehør	PTX5100
Stangsavstillebehør	PSX2500

### ⚠ Generelle sikkerhedsadvarsler om elektriske værktøjer - brug og pleje af et batteridrevet værktøjet.

- **Genoplad kun med opladeren er angivet af fabrikanten.** Hvis en oplader, der er egnet til én slags batteri, bruges med en anden slags batteri, kan det føre til brand.
- **Anvend kun elektrisk værktøj med særligt udpegede batteripakker.** Brug af andre batterier kan skabe risiko for personskade og brand.
- **Når batteriet ikke er i brug, skal den holdes væk fra andre metalgenstande som papirclips, mønter, nøgler, søm, skruer eller andre små metalgenstande, der kan skabe forbindelse fra en pol til en anden.** Shorting batteripolerne sammen kan forårsage forbrændinger eller brand.
- **Ved forkert anvendelse kan der slippe væske ud af batteriet: Undgå kontakt.** Hvis det alligevel skulle ske, skal området skylles med vand. Hvis væsken kommer i øjnene, skal man søge læge. Væske fra batteriet kan forårsage irritation eller forbrændinger.
- **Anvend ikke et batteri eller et værktøj, der er beskadiget eller modificeret.** Beskadigede eller modificerede batterier kan opføre sig uforudsigeligt og forårsage brand, eksplosion eller risiko for personskade.
- **Udsæt ikke et batteri eller et værktøj for ild eller for høj temperatur.** Udsættelse for ild eller temperaturer over 130°C kan forårsage eksplosion.
- **Følg alle anvisninger vedrørende opladning, og oplad ikke batteriet eller værktøjet uden for temperaturområdet angivet i anvisningerne.** Forkert

opladning eller temperaturer uden for det angivne område kan beskadige batteriet og øge risikoen for brand.

### ⚠ Generelle sikkerhedsadvarsler om elektriske værktøjer - service.

- **Dit elværktøj skal repareres af en kvalificeret person, og der må kun bruges identiske reservedele.** På denne måde sikrer man, at elværktøjet forbliver sikkert at bruge.
- **Udfør aldrig selv service på beskadigede batterier.** Service på batterier må kun udføres af producenten eller godkendte servicecentre.
- Ved situationer, der ikke er dækket i denne vejledning: Vær forsigtig, og arbejd med omtanke. Kontakt EGO's servicecenter for at få hjælp.

### SEM DISSE VEJLEDNINGER

YDERLIGERE SPECIFIKKE SIKKERHEDSREGLER KAN FINDES I BRUGSANVISNINGEN TIL DET PÅGÆLDENDE TILBEHØR

## SPECIFIKATIONER

Spænding	56 V ---
Anbefalet driftstemperatur:	0°C-40°C
Anbefalet opbevaringstemperatur	-20°C-70°C
Vægt	3,9kg

## BESKRIVELSE

### GØR DIG BEKENDT MED DEN STRØMFORSYNEDE TELESKOPSTANG (fig. A)

1. Bageste håndtag
2. Låsegreb
3. Snørehul til rem
4. Forreste håndtag
5. Klemmeknop
6. Knap til frigørelse af skaft
7. Låseknap
8. Koblingsstykke
9. Teleskoprør
10. Gashåndtag
11. Værktøjsstøtte
12. Skulderstrop
13. Udløsermekanisme
14. Lås
15. Udløserknap til batteri
16. Nøgleholder
17. Kombi-skruenøgle



## LISTE OVER DELE I PAKKEN (FIG. A)

### SAMLING

**⚠ ADVARSEL:** Hvis der er dele, der er beskadigede eller mangler, anvendes apparatet ikke, før delene er udskiftet. Brug af dette produkt med beskadigede eller manglende dele kan medføre alvorlig personskade.

**⚠ ADVARSEL:** Fjern altid batteriet fra produktet, når du monterer dele, foretager justeringer, ved rengøring, eller når det ikke bruges.

### SÅDAN MONTERES TILBEHØRET PÅ TELESKOPSTANGEN

**⚠ ADVARSEL:** Læs og forstå hele brugsanvisningen for hvert ekstra stykke tilbehør, der bruges med denne teleskopstang, og følg alle advarsler og instruktioner. Hvis du ikke følger alle instruktionerne nedenfor, kan det medføre elektrisk stød, brand og/eller alvorlig personskade.

**⚠ ADVARSEL:** Denne 56 V strømforsyning teleskopstang PPX1000 er designet til kun at blive brugt med tilbehørsmodeller fra EGO, der er angivet i denne brugsanvisning eller som efterfølgende produceres af EGO til brug med denne teleskopstang. Brug af andet tilbehør, der ikke er godkendt, kan forårsage alvorlige personskader eller materielle skader.

**⚠ ADVARSEL:** Tilbehør må aldrig installeres, fjernes eller tilpasses, når teleskopstangen kører eller med batteriet isat. Motoren skal standses og batteriet skal fjernes, da der ellers kan ske alvorlige personskader.

Tilbehøret sættes på teleskopstangen med et koblingsstykke.

1. Stop motoren, og fjern batteripakken.
2. Løsn låseknoppen.
3. Flugt pilen på tilbehørets skaft med indikatoren på koblingsstykket, og tryk tilbehøret ind i koblingsstykket, indtil du hører et "klik". Koblingen skal trykkes hele vejen på frem til referencelinjen på skaftet, hvilket betyder at tilbehøret er sat ordentligt på. (Fig. B).

B-1	Knap til frigørelse af skaft	B-4	Referencelinje
B-2	Tilpasningsindikator	B-5	Låseknop
B-3	Pilemærke		

4. Træk i skaftet på tilbehøret for at kontrollere, at det sidder fast i koblingsstykket. Hvis ikke, skal du trykke

tilbehøret i koblingen, indtil det klikker på plads.

5. Spænd låseknoppen ordentligt.

**⚠ ADVARSEL:** Sørg for, at låseknoppen er spændt godt til, inden du betjener udstyret; tjek jævnligt under brug, at det er spændt til for at undgå alvorlig personskade.

### AFMONTERING AF TILBEHØRET PÅ TELESKOPSTANGEN

1. Stop motoren, og fjern batteripakken.
2. Løsn låseknoppen.
3. Hold aksel-udløserknappen nede samtidig med, at du trækker tilbehøret ud af koblingen.

### MONTERING AF SKULDERSTROP (fig. C)

Tryk på stropens krog for at åbne den, og sæt den i snørehullet.

### FORLÆNGELSE AF TELESKOPRØRET

Dette værktøj er udstyret med et teleskoprør, der kan forlænges til 960 mm (når det trækkes helt ud).

Klemmeknappen bruges til at holde teleskoprøret på plads, når det er trukket ud.

1. For at forlænge teleskoprøret, skal du løsne klemmeknappen, ved at dreje det til det oplåste ikon. Teleskoprøret kan nu frist trække ud (fig. D).

D-1	Klemmeknop	D-2	Indikator til maksimal udtrækning
-----	------------	-----	-----------------------------------

2. Træk teleskoprøret ud til den ønskede længde.
3. For at låse teleskoprøret på plads, skal du spænde klemmeknappen, ved at dreje det til det låste ikon.

**⚠ ADVARSEL:** Vær forsigtig med ikke, at få fingrene i klemme.

### BETJENING

**⚠ ADVARSEL:** Lad ikke fortrolighed med dette produkt gøre dig skodesløs. Husk på, at det kan føre til alvorlige skader, hvis du ikke er opmærksom i blot et sekund.

**⚠ ADVARSEL:** Brug altid beskyttelsesbriller. Hvis disse ikke bruges, kan du få genstande slynget i øjnene, og der kan også opstå andre alvorlige skader.

**⚠ ADVARSEL:** Anvend ikke tilbehør eller påmonteringer, der ikke anbefales af fabrikanten af dette produkt. Brug af tilbehør eller påmonteringer, der ikke anbefales, kan forårsage alvorlig personskade.

## INSTALLATION / FJERNELSE AF BATTERIPAKKE

**BEMÆRK:** Oplad batteriet helt før første brug.

### Montering

Flugt batteriets ribber med monteringsnoterne, og tryk batteriet ned, indtil du hører et "klik" (fig. E).

E-1	Monteringsrille	E-2	Rib
-----	-----------------	-----	-----

### Afmontering

Tryk på knappen til batteriudløseren, og træk batteripakken ud (fig. F).

**⚠ ADVARSEL:** For at undgå alvorlig personskade skal du altid fjerne batteripakken og ikke røre låsespændet eller gashåndtaget, når du bærer eller transporterer værktøjet.

### SKULDERREM

For sikker og bedre betjening, skal du tage skulderremmen over skulderen som vist i fig. G, for at lette vægten på brugerens arme. Justér skulderremmen, så den giver en behagelig arbejdsstilling.

Der er to måder at løsne remmen. Tag den direkte af skulderen (fig. H), eller tryk på remmens krog, og tag den ud snørehullet på på skaflet (fig. I).

**⚠ ADVARSEL:** Skulderstroppen er også en mekanisme til hurtig frigørelse i farlige situationer. Når der opstår en fare, så tag den straks af skulderen, uanset hvordan stroppen er sat på.

### SÅDAN HOLDES TELESKOPSTANGEN

Teleskopstangen er udstyret med to gashåndtag (fig. J). Hvert gashåndtag kan bruges til at tænde og slukke værktøjet, uafhængig af det andet. De to gashåndtag gør det muligt, at bruge produktet på ergonomisk vis i daglige opgaver. (Fig. K & L)

### START/STOP AF TELESKOPSTANGEN

#### Sådan startes teleskopstangen

Tryk låsebeslaget fremad og tryk på gashåndtaget, for at tænde teleskopstangen. Jo mere, der trykkes på gashåndtaget, jo hurtigere kører tilbehøret.

#### Sådan stoppes produktet

Slip gashåndtaget og låsebeslaget.

## VEDLIGEHOLDELSE

**⚠ ADVARSEL:** Ved service må der kun bruges originale reservedele. Efterse og vedligehold apparatet regelmæssigt. For at sikre sikkerhed og pålidelighed, bør alle reparationer udføres af en kvalificeret servicetekniker.

**⚠ ADVARSEL:** Før eftersyn, rengøring eller service på enheden standses motoren. Vent til alle bevægelige dele

er standset, og fjern batteripakken. Efterkommes disse anvisninger ikke, kan det medføre alvorlig personskade eller materielle skader.

**⚠ BEMÆRK:** Før hver brug skal du undersøge hele produktet for skader, manglende eller løse dele, såsom skruer, møtrikker, bolte, hætter etc. Tilsænd omhyggeligt alle befæstelsesdele og hætter, og betjen ikke dette produkt, før alle manglende eller beskadigede dele er udskiftet. Kontakt venligst kundeservice eller en kvalificeret servicetekniker.

### GENEREL VEDLIGEHOLDELSE

Undgå, at bruge opløsningsmidler til rengøring af plastdele. De fleste plastmaterialer risikerer at blive ødelagt, ved brug af forskellige slags alment tilgængelige opløsningsmidler. Brug rene klude til at fjerne snavs, støv, olie, fedt osv.

### SÅDAN RENGØRES TELESKOPSTANGEN

1. Stop motoren, og fjern batteripakken.
2. Fjern snavs og skidt på teleskopstangen med en fugtig klud med et mildt rengøringsmiddel.

**BEMÆRK:** Brug ikke stærke rengøringsmidler på plastikabinettet eller -håndtaget. De kan blive beskadiget af visse aromatiske olier, såsom af fyrretræ og citron.

### SÅDAN OPBEVARES TELESKOPSTANGEN

1. Tag batteripakken ud af teleskopstangen, inden den gemmes væk.
2. Fjern alle fremmedlegemer på teleskopstangen.
3. Opbevar den et sted, der er utilgængeligt for børn.
4. Holdes væk fra ætsende stoffer, såsom havekemikalier og vejsalt.

### Beskyttelse af miljøet



Smid ikke elektrisk udstyr, batterioplader og batterier/genopladelige batterier i skraldespanden!

## FEJLFINDING

Se brugsanvisningen for det relevante tilbehør.

## GARANTI

### EGO GARANTI POLITIK

Besøg venligst hjemmesiden [egopowerplus.com](http://egopowerplus.com) for fuldstændige vilkår og betingelser for EGO's garantipolitik.

## LÄS IGENOM ALLA INSTRUKTIONER!



### LÄS IGENOM BRUKSANVISNINGEN

**⚠ Dolda risker!** Personer med elektroniska enheter såsom pacemaker skall rådfråga sin läkare innan denna produkt används. Användning av elektronisk utrustning i närheten av en pacemaker kan orsaka störningar eller fel på pacemakern.

**⚠ WARNING:** För att garantera säkerheten och pålitligheten skall alla reparationer och utbyten utföras av en kvalificerad servicetekniker.

## SÄKERHETSSYMBOL

Syftet med säkerhetssymboler är att uppmärksamma eventuella faror. Säkerhetssymbolerna och förklaringarna av dessa kräver din fullständiga uppmärksamhet och förståelse. Symbolvarningarna i sig eliminerar inte några faror. Instruktionerna och varningarna som ges är inte något substitut för korrekta åtgärder för förhindrande av olyckor.

**⚠ WARNING:** Var noga med att läsa och förstå alla säkerhetsinstruktioner i denna bruksanvisning, inklusive alla varningssymboler som t.ex. **“FARA!”**, **“WARNING!”** och **“FÖRSIKTIGHET!”** innan du använder detta verktyg. Underlåtenhet att läsa alla instruktioner som listas nedan kan resultera i elektrisk stöt, brand och/eller allvarlig personskada.

## SYMBOLBETYDELSE



**⚠ WARNING:** Användning av något elverktyg kan resultera i att främmande föremål kastas in i dina ögon vilket kan resultera i allvarliga ögonskador. Innan elverktyget börjar användas skall alltid skyddsglasögon eller skyddsglasögon med sidoskydd och full ansiktsskydd användas när så behövs. Vi rekommenderar att en ansiktsmask med brett synfält används ovanpå glasögonen eller standard skyddsglasögon med sidoskydd.

## SÄKERHETSINSTRUKTIONER

Denna sida framställer och beskriver säkerhetssymboler som kan visas på denna produkt. Läs igenom, förstå och följ alla instruktioner på maskinen innan försök görs att montera och hantera den.

	Säkerhetslarm	Indikerar en potentiell risk för personskada.
	Läs igenom bruksanvisningen	För att minska risker för skador måste användare läsa igenom och förstå bruksanvisningen innan denna produkt används.
	Använd ögonskydd	Använd alltid skyddsglasögon eller säkerhetsglasögon med sidoskydd och en full ansiktsmask när denna produkt används.
	CE	Denna produkt är i enlighet med gällande EG-direktiv.
	WEEE	Förbrukade elektriska produkter får inte kastas i hushållssoporna. Lämna in dem till en auktoriserad återvinningsstation.
	Utsätt den inte för regn	Använd den inte vid regn och lämna den inte utomhus om det regnar.
IPX5	IP-symbol	Skyddar mot inträngande av vatten grad 5
V	Volt	Spänning
mm	Millimeter	Längd eller storlek
cm	Centimeter	Längd eller storlek
kg	Kilogram	Vikt
	Likström	Typ eller karakteristik av ström

**⚠ WARNING:** Läs igenom alla säkerhetsvarningar angivna med symbolen och alla instruktioner.

Spara alla varningar och instruktioner för framtida referens.

Termen “elverktyg” i varningarna syftar på ditt starkströmsdrivna (sladdanslutna) elverktyg eller batteridrivna (sladdlösa) elverktyg.

SE

## **⚠ Allmänna säkerhetsvarningar för elverktyg – Säkerhet på arbetsplatsen.**

- **Håll arbetsområdet rent och ordentligt upplyst. Belamrade eller mörka områden inbjuder till olyckor.**
- **Använd inte motordrivna verktyg i explosiva miljöer som t.ex. i närvaron av brandfarliga vätskor, bensin eller damm.** Elverktyg skapar gnistor vilka kan antända dammet eller ångorna.
- **Håll barn och åskådare borta medan elverktyget arbetar.** Störningarna kan göra att du tappar kontrollen.

SE

## **⚠ Allmänna säkerhetsvarningar för elverktyg – Elektrisk säkerhet.**

- **Elverktygets kontakter måste matcha uttaget. Modifiera aldrig stickkontakten på något sätt. Använd inte några adapterkontakter med jordanslutna (jordade) elektriska verktyg.** Stickkontakter som inte modifierats och passar i eluttaget minskar risken för elektriska stötar.
- **Undvik kroppskontakt med jordanslutna eller jordade ytor såsom rör, värmeelement, spisar och kylskåp.** Det finns en ökad risk för elektrisk stöt om din kropp är jordansluten eller jordad.
- **Utsätt inte elverktyg för regn eller våta förhållanden.** Vatten som kommer in i ett elektriskt verktyg ökar risken för elektriska stötar.
- **Vanvärda inte sladden. Använd aldrig kabeln för att bära, släpa eller dra ut kontakten för elverktyget. Håll kabeln borta från värme, olja, skarpa kanter och rörliga delar.** Skadade eller tilltraslade sladdar ökar risken för elektrisk stöt.
- **Vid användning av motordrivna verktyg utomhus, använd en förlängningskabel som är avsedd för utomhusbruk.** Användning av en sladd som passar för utomhusanvändning minskar risken för elektrisk stöt.
- **Om arbete med ett elverktyg i en fuktig lokal är oundvikligt, använd ett uttag som är skyddat med jordfelsbrytare.** Användning av en jordfelsbrytare minskar risken för elektriska stötar.

## **⚠ Allmänna säkerhetsvarningar för elverktyg – Personlig säkerhet.**

- **Var uppmärksam och observant samt använd sunt förnuft när du använder ett elverktyg. Använd inte ett elverktyg om du är trött eller under påverkan av droger, alkohol eller medicin.** Ett ögonblick av ouppmärksamhet under arbete med elverktyg kan resultera i allvarliga personskador.

- **Använd personlig skyddsutrustning. Använd alltid skyddsglasögon.** Skyddsutrustning såsom dammfilterskydd, halksäkra säkerhetsskor, skyddshjälm eller hörselskydd som används för lämpliga förhållanden minskar personskador.
- **Förebygg oavsiktlig igångsättning. Se till att strömbrytaren är i frånläge innan du ansluter till strömkällan och/eller batteripaketet, plockar upp eller bär verktyget.** Att bära elverktyget med fingret på strömbrytaren eller verktyg som är påslagna inbjuder till olyckor.
- **Ta bort inställningsnycklar eller skiftnycklar innan elverktyget slås på.** En skiftnyckel eller en nyckel som sitter kvar på en roterande del av elverktyget kan resultera i personskada.
- **Sträck dig inte för långt. Ha ordentligt fötfäste och balans hela tiden.** Detta möjliggör bättre kontroll av elverktyget i oväntade situationer.
- **Klä dig på lämpligt sätt. Bär inte löst sittande kläder eller smycken. Håll ditt hår, kläder och handskar borta från rörliga delar.** Löst sittande kläder, smycken och långt hår kan fastna i rörliga delar.
- **Om enheter har anslutning för dammuppsamlare och anslutningsmöjligheter, se till att de är anslutna och används på korrekt sätt.** Användning av dammuppsamlare kan minska dammrelaterade faror.
- **Var alltid uppmärksam vid användning av verktyget, även efter många användningstillfällen, och ignorera inte verktygets säkerhetsprinciper.** En vårdslös handling kan orsaka allvarliga personskador inom bråkdelen av en sekund.

## **⚠ Allmänna säkerhetsvarningar elverktyg – Elverktyg användning och skötsel.**

- **Tvinga inte elverktyget. Använd ett korrekt elverktyg för ditt arbete.** Ett korrekt elverktyg utför jobbet bättre och säkrare om det används för rätt arbete.
- **Använd inte elverktyget om strömbrytaren inte kan slås på eller stängas av.** Ett elverktyg som inte kan kontrolleras med strömbrytaren är farligt och måste repareras.
- **Koppla ifrån kontakten från strömkällan och/eller batteripaketet från elverktyget innan några justeringar görs, tillbehör byts eller elverktyget läggs undan.** Dessa förebyggande säkerhetsåtgärder minskar risken för att elverktyget startas oavsiktligt.
- **Förvara elverktyg som går på tomgång utom räckhåll för barn och låt inte personer som är ovana med elverktyget eller dessa instruktioner använda elverktyget.** Elverktyg är farliga i händerna på utbildade användare.

- **Underhåll elektriska verktyg. Kontrollera felinställningar eller om rörliga delar har fastnat, bristning hos delar och andra eventuella förhållanden som kan komma att påverka elverktygets funktion.** Om skadad, lämna in elverktyget för reparation innan det används. Många olyckor beror på dåligt underhållna elverktyg.
- **Håll kapverktyg vassa och rena.** Ordentligt underhållna kapverktyg med vassa sågkanter är mindre sannolika att fastna och är lättare att kontrollera.
- **Använd elverktyget, tillbehör, verktygsbits osv. i enlighet med dessa instruktioner och ta hänsyn till arbetsförhållanden och det arbete som ska utföras.** Om elverktyget används för andra tillämpningar än det är avsett för kan det resultera i farliga situationer.
- **Håll handtagen och greppytorna torra, rena och fria från olja och fett.** Hala handtag och greppytor förhindrar säker hantering och kontroll av verktyget vid oväntade situationer.
- Denna 56V teleskopmotorenhet PPX1000 kan endast användas med följande EGO-tillsatser eller efterföljande introducerade av EGO för användning med denna teleskopmotorenhet:

TILLBEHÖRSTYP	MODELLNUMMER
Häcktrimmertillsats	PTX5100
Tillbehör för stängsåg	PSX2500

### Allmänna säkerhetsvarningar för elverktyg - Batteriverktyg användning och skötsel.

- **Ladda endast med den laddare som rekommenderas av tillverkaren.** En laddare som är lämplig för en typ av batteripaket kan skapa en risk för brand när den används med ett annat batteripaket.
- **Använd endast elverktyg med deras särskilt avsedda batteripaket.** Användning av andra batteripaket kan medföra risk för personskador och eld.
- **När batteripaket inte används bör det hållas borta från andra metallföremål som gem, mynt, nycklar, spikar, skruvar och andra små metallföremål som kan skapa kontakt mellan de två polerna.** Kortslutning av batteriets terminaler kan orsaka brännskador eller en brand.
- **Under olämpliga förhållanden kan vätska spruta ut från batteriet. Undvik kontakt. Vid oavsiktlig kontakt, spola med vatten. Om vätskan kommer i kontakt med ögonen, sök också läkarhjälp.** Vätska som sprutar ur batteriet kan orsaka sveda och brännskador.

- **Använd inte ett batteripaket eller verktyg som skadats eller modifierats.** Skadade eller modifierade batterier kan leda till oförutsägbart uppträdande som leder till brand, explosion eller risk för personskador.
- **Utsätt inte batteripaketet eller verktyget för eld eller extrema temperaturer.** Exponering av eld eller temperaturer över 130 °C kan orsaka explosion.
- **Följ alla laddningsinstruktioner och ladda inte batteripaketet eller verktyget utanför det temperaturområde som anges i instruktionerna.** Felaktig laddning eller vid temperaturer utanför angivet temperaturområde kan skada batteriet och ökar risken för brand.

### Allmänna säkerhetsvarningar för elverktyg - Service.

- **Lämna ditt elverktyg för service hos en kvalificerad servicetekniker som endast använder identiska utbytesdelar.** Det garanterar att säkerheten hos elverktygets bibehålls.
- **Utför aldrig service på skadade batteripaket.** Service av batteripaket bör endast utföras av tillverkaren eller auktoriserade serviceverkstäder.
- Om en situation som inte beskrivs i bruksanvisningen uppstår, använd försiktighet och gott omdöme. Kontakta EGO Service Center för hjälp.

### SPARA DESSA INSTRUKTIONER

### KOMPLETTERANDE SÄKERHETSREGLER KAN HITTAS I TILLBEHÖRETS BRUKSANVISNING

## SPECIFIKATIONER

Spänning	56 V ---
Rekommenderad drifttemperatur:	0°C-40°C
Rekommenderad förvaringstemperatur	-20°C-70°C
Vikt	3,9kg

## BESKRIVNING

### LÄR KÄNNA DIN TELEKOPSMOTORENHET (bild A)

1. Bakre handtag
2. Låstunga
3. Bärögla
4. Främre handtag
5. Klämrratt
6. Låsknapp för axeln
7. Låsrratt
8. Koppling
9. Teleskoprör
10. Variabelt gasreglage

11. Verktygsstöd
12. Axelrem
13. Utmatningsmekanism
14. Spärrhake
15. Lås knapp för batteriet
16. Hållare för skiftnyckel
17. Kombinyckel

## PACKLISTA (BILD A)

### MONTERING

**⚠ VARNING:** Om någon del är skadad eller saknas skall inte denna produkt användas innan delarna ersatts.

Användning av denna produkt om den är skadad eller saknar delar kan resultera i allvarliga personskador.

**⚠ VARNING:** Ta alltid bort batteripaketet från produkten vid montering av delar, justeringar, rengöring eller när produkten inte används.

### ANSLUTA EN TILLSATS TILL TELESKOPMOTORENHETEN

**⚠ VARNING:** Läs igenom och förstå den fullständiga bruksanvisningen för varje tillbehör (valfritt) som används på denna teleskopmotorenhet och följ alla varningar och instruktioner. Underlåtenhet att följa alla instruktioner kan resultera i elektriska stötar, brand och/eller allvarliga personskador.

**⚠ VARNING:** Denna 56 volts teleskopmotorenhet PPX1000 är endast utvecklad för användning med EGO-tillbehör av modellerna som anges i denna bruksanvisning eller senare införts av EGO för användning med denna teleskopmotorenhet. Användning av andra, otilåtna tillbehör kan orsaka allvarlig personskador eller skador på egendom.

**⚠ VARNING:** Du får aldrig installera, ta bort eller justera något tillbehör medan teleskopmotorenheten är igång eller med batteriet monterat. Underlåtenhet att stoppa motorn och ta ut batteriet kan orsaka allvarliga personskador.

Tillbehöret ansluts till teleskopmotorenheten via en kopplingsenhet.

1. Stoppa motorn och ta bort batteripaketet.
2. Lossa låsratten.
3. Rikta in pilen på tillbehörets axel med pilen på kopplingen och tryck in axeln in i kopplingen och skjut tillsatsaxeln in i kopplingen tills du hör ett tydligt "klick", kopplingen skall vara placerad hela vägen till referenslinjen på axeln så att axeln är korrekt monterad på plats. (bild B)

B-1	Lås knapp för axeln	B-4	referenslinje
B-2	Inriktningsindikatorer	B-5	Låsratt
B-3	Pilmarkering		

4. Dra i tillbehörets axel för att bekräfta att den är fastlåst i kopplingen. Om den inte är fastlåst, skjut in kopplingen tills den knäpps på plats.

5. Dra åt låsratten ordentligt.

**⚠ VARNING:** Säkerställ att låsratten är helt åtdragen innan utrustningen används. Kontrollera regelbundet att den är åtdragen före användning för att undvika allvarliga personskador.

### TA BORT TILLBEHÖR FRÅN TELESKOPMOTORENHETEN

1. Stoppa motorn och ta bort batteripaketet.
2. Lossa låsratten.
3. Tryck på skaftets lås knapp, med knappen nedtryckt, dra ut utbytbara tillsatsen från kopplingen.

### MONTERA AXELREMMEN (bild C)

Tryck in remhaken för att öppna den och fästa den på bäröglan.

### FÖRLÄNGT TELESKOPRÖR

Verktyget är utrustad med ett teleskoprör som kan förlängas till 960 mm (fullt utdragen).

Klämratten används för att hålla teleskopröret på plats vid alla utdragna lägen.

1. För att förlänga teleskopröret, lossa klämringen genom att följa dess upplåsningsikon. Teleskopröret kommer att glida fritt (bild D).

D-1	Klämratt	D-2	Indikering för maxgräns
-----	----------	-----	-------------------------

2. Dra ut teleskopröret till önskad utdragen längd.
3. För att lås teleskopröret på plats, dra åt klämringen genom att följa dess låsningsikon.

**⚠ VARNING:** Om du klämmer handen eller fingrarna, var försiktig när varje steg utförs.

### DRIFT

**⚠ VARNING:** Bli inte vårdslös bara för att du är bekant med denna produkt. Kom ihåg att oaksamhet under en bråkdel av en sekund är tillräcklig för att orsaka allvarliga skador.

**⚠ VARNING:** Använd alltid skyddsglasögon. Om inte så görs kan det resultera i att föremål kastas in i ögonen och andra möjliga allvarliga skador.

**⚠ VARNING:** Använd inga andra tillsatser eller tillbehör än de som rekommenderas av tillverkaren av denna produkt. Användning av tillbehör eller tillsatser som inte rekommenderas kan resultera i allvarlig personskada.

## INSTALLERA/TA UT BATTERIPAKETET

**NOTERA:** Ladda batteripaketet fullt före första användning.

### Installation

Rikta in listerna på batteriet med monteringsspåren och tryck sedan ner batteripaketet tills du hör ett "klick" (bild E).

E-1	Monteringsspår	E-2	List
-----	----------------	-----	------

### Borttagning

Tryck in låsknappen för batteriet och dra sedan ut batteripaketet (bild F).

**⚠ VARNING:** För att undvika allvarliga personskador, ta alltid ut batteripaketet och håll händerna borta från startspårren och avtryckaren när verktyget bärs eller transporteras.

### Axelrem

För en säkrare och bättre användning, ta på dig axelremmen över axeln såsom visas i bild G för att lätta på vikten på operatörens arm. Justera axelremmen för ett bekvämt arbetsläge.

Du kan lossa remmen på två sätt. Ta bort den direkt från din axel (bild H) eller tryck på haken på remmen och ta isär den från bäröglan på axeln (bild I).

**⚠ VARNING:** Axelremmen är även en snabb frigöringsmekanism vid en farlig situation. När ett nödläge inträffar, ta omedelbart av den från axeln oavsett vilket läge som remmen är i.

## HÅLLA TELESKOPMOTORENHETEN

Teleskopmotorenheten är utrustad med en avancerad dubbel avtryckare (bild J). Varje avtryckarsystem kan oberoende slå på eller stänga av verktyget. Denna innovativa dubbla kontrollmetod ger mest ergonomisk drift vid dagliga tuffa arbeten. (bild K och L)

## STARTA/STOPPA TELESKOPMOTORENHETEN

### För att starta teleskopmotorenheten

Flytta låstungan framåt och tryck på den variabla gasreglaget för att slå på teleskopmotorenheten. Ju mer

tryck som används på variabla gasreglaget det högra hastighet på huvudtillsatsen

### Stoppa

Släpp upp variabla gasreglaget och låstungan.

## UNDERHÅLL

**⚠ VARNING:** Vid service ska enbart identiska utbyteskomponenter användas. Inspektera och underhåll maskinen regelbundet. För att garantera en säker och pålitlig användning måste alla reparationer utföras av en kvalificerad servicetekniker.

**⚠ VARNING:** Före inspektion, rengöring eller service av enheten, stoppa motorn, vänta tills alla rörliga delar har stoppats och ta sedan ut batteripaketet. Underlåtenhet att följa dessa instruktioner kan resultera i allvarliga personskador eller skada på egendom.

**⚠ NOTERA:** Inspektera hela produkten innan varje användning om där finns skador, saknade eller lösa delar såsom skruvar, muttrar, bultar, höljen etc. Dra åt alla fästelement och lock och använd inte denna produkt innan alla saknade eller skadade delar bytts ut. Kontakta kundtjänst eller en behörig servicetekniker.

## ALLMÄNT UNDERHÅLL

Använd inte lösningsmedel när du rengör plastdelarna. De flesta plaster är känsliga för skador från olika typer av kommersiella lösningsmedel och kan skadas av dess användning. Använd rena trasor för att ta bort smuts, damm, olja, fett osv.

## RENGÖRA TELESKOPMOTORENHETEN

1. Stoppa motorn och ta bort batteripaketet.
2. Rengör teleskopmotorenheten från smuts och skräp med en fuktad trasa med ett mildt rengöringsmedel.

**NOTERA:** Använd inte starka rengöringsmedel på plastlejlet eller handtaget. Det kan orsaka skador av vissa aromatiska oljor som t.ex. tall och citron.

## FÖRVARA TELESKOPMOTORENHETEN

1. Ta bort batteripaketet från teleskopmotorenheten innan förvaring.
2. Ta bort alla främmande föremål från teleskopmotorenheten.
3. Förvara den på en plats som är utom räckhåll för barn.
4. Håll den undan från korrosiva medel såsom trädgårdskemikalier och avsnings salt.

## Skydda miljön



Kasta inte elektrisk utrustning, batteriladdare och batterier/ laddningsbara batterier i hushållssoporna!



## FELSÖKNING

Se bruksanvisningen för tillämpliga tillbehör.

## GARANTI

### EGO GARANTIPOLICY

Besök webbsidan [egopowerplus.com](http://egopowerplus.com) för fullständiga villkor för EGO garantipolicy.



## LUE KAIKKI OHJEET!



### LUE KAIKKI OHJEET

**⚠ Jäännösriski!** Henkilöiden, joilla on sydämentahdistin tai muu vastaava elektroninen laite, tulisi keskustella lääkärin kanssa ennen tämän tuotteen käyttöä. Sähkölaitteiden käyttö sydämentahdistimen lähettyvillä saattaa häiritä tahdistimen toimintaa tai aiheuttaa vakavan toimintahäiriön.

**⚠ VAROITUS:** Anna asiantuntevan huoltoteknikon tehdä kaikki korjaukset ja osien vaihdot, jotta laite on varmasti turvallinen ja luotettava.

## TURVALLISUUSYMBOLIT

Turvallisuussymbolien tarkoituksena on kiinnittää huomiota mahdollisiin vaaroihin. Turvallisuussymbolit ja niiden selitykset on syytä lukea tarkkaan ja ymmärtää perusteellisesti. Varoitussymbolit eivät yksin poista vaaran mahdollisuutta. Niiden antamat ohjeet ja varoitukset eivät korvaa kunnollisia onnettomuuksien ehkäisytoimenpiteitä.

**⚠ VAROITUS:** Lue ja ymmärrä tämän käyttöoppaan kaikki turvallisuusohjeet, mukaan lukien kaikki turvallisuusvaroitussymbolit, kuten **“VAARA”**, **“VAROITUS”** ja **“HUOMIO”** ennen laitteen käyttämistä. Alla olevien ohjeiden noudattamatta jättäminen saattaa aiheuttaa sähköiskun, tulipalon ja/tai vakavan henkilökohtaisen vamman.

## SYMBOLIEN MERKITYKSET



**⚠ VAROITUS:** Minkä tahansa sähkötyökalun käyttö saattaa aiheuttaa vierasesineiden sinkoutumisen silmiin, mikä voi aiheuttaa vakavia silmävammoja. Käytä aina suojalaseja, joissa on sivusuojat, ja tarvittaessa koko kasvot peittävää suojaa, kun käytät sähkötyökaluja. Silmälasien päällä suosittelamme käytettäväksi suojamaskia, jossa on laaja näkökenttä, tai tavallisia suojalaseja, joissa on sivusuojat.

## TURVALLISUUSOHJEET

Tällä sivulla kuvataan ja esitellään turvallisuussymbolit, jotka saattavat esiintyä tässä tuotteessa. Lue, ymmärrä ja noudata kaikkia laitteen ohjeita ennen kuin yrität koota sen tai käyttää sitä.

	Turvallisuushälytys	Osoittaa mahdollista henkilövahinkojen vaaraa.
	Lue käyttöoppas	Käyttäjän on luettava ja ymmärrettävä käyttöopas ennen tämän laitteen käyttöä loukkaantumista varten vähentämiseksi.
	Käytä silmäsuojaimia	Käytä aina suojalaseja tai sivusuojilla varustettuja suojalaseja ja kokonaamarua, kun käytät tätä tuotetta.
	CE	Tämä tuote vastaa sovellettuja EU-direktiivejä.
	WEEE	Vanhoja sähkölaitteita ei saa hävittää kotitalousjätteen mukana. Vie laite valtuutetun kierrätyslaitokseen.
	Älä altista sateelle	Älä käytä sateella tai jätä ulos sateeseen.
IPX5	IP-symbolit	Suojaus vesiroiskeilta luokitus 5
V	Voltti	Jännite
mm	Millimetri	Pituus tai koko
cm	Senttimetri	Pituus tai koko
kg	Kilogramma	Paino
	Tasavirta	Virran tyyppi tai ominaisuus

**⚠ VAROITUS:** Lue kaikki **⚠** symboliilla merkityt turvallisuusvaroitukset ja kaikki muut ohjeet.

**Säilytä kaikki varoitukset ja ohjeet myöhempiä käyttöä varten.**

Varoituksissa käytetty termi “sähkötyökalu” tarkoittaa joko verkkovirtakäyttöistä (johdollista) sähkötyökalua tai akkukäyttöistä (johdotonta) sähkötyökalua.

## **⚠️ Yleiset sähkötyökalujen turvallisuusvaroitukset - työskentelyalueen turvallisuus.**

- Pidä työskentelyalue siistinä ja hyvin valaistuna. Sotkuiset tai hämärät alueet aiheuttavat onnettomuuksia.
- Älä käytä sähkötyökaluja räjähdysherkässä ympäristössä, kuten esimerkiksi syttyvien nesteiden, bensiinin tai polyn lähellä. Sähkötyökalut saattavat aiheuttaa kipinöitä, jotka voivat sytyttää tomun tai höyryjä.
- Älä päästä lapsia tai sivullisia lähelle, kun käytät sähkötyökaluja. Häiriötekijät voivat aiheuttaa hallinnan menettämisen.

FI

## **⚠️ Yleiset sähkötyökalujen turvallisuusvaroitukset - sähköturvallisuus.**

- Sähkötyökalun pistotulpan on vastattava pistorasiaa. Älä muuta pistoketta millään tavalla. Älä käytä minkäänlaisia sovittipistotulppia maadoitettujen sähkötyökalujen kanssa. Muokkaamattomat pistotulpat ja niihin sopivat pistorasiat vähentävät sähköiskun vaaraa.
- Vältä koskemasta vartalollasi maadoitettuihin pintoihin, kuten putkiin, lämmityspattereihin, liesiin ja jääkaappeihin. Sähköiskun riski kasvaa, jos kehosi on maadoitettu.
- Älä altista sähkötyökaluja sateelle tai kosteudelle. Sähkötyökaluun pääsevä vesi lisää sähköiskun vaaraa.
- Älä väärinkäytä johtoa. Älä koskaan kannan tai vedä laitetta johdosta tai irrota pistoketta pistorasiasta johdosta vetämällä. Pidä johto poissa tulen, öljyn, terävien reunojen tai liikkuvien osien läheltä. Vahingoittuneet tai sotkeutuneet johdot lisäävät sähköiskun vaaraa.
- Kun käytät sähkötyökalua ulkona, käytä ulkokäyttöön tarkoitettua jatkojohtoa. Ulkokäyttöön tarkoitetun jatkojohtoon käyttö vähentää sähköiskun riskiä.
- Jos et voi välttää sähkötyökalun käyttöä kosteissa olosuhteissa, käytä vikavirtasuojakytkimellä varustettua pistorasiaa. Vikavirtasuojakytkimen käyttö vähentää sähköiskun riskiä.

## **⚠️ Yleiset sähkötyökalujen turvallisuusvaroitukset - henkilöturvallisuus.**

- Ole valpas, tarkkaavainen ja käytä maalaisjärkeä, kun käytät sähkötyökalua. Älä käytä sähkötyökalua, kun olet väsynyt tai kun olet

huumeiden, alkoholin tai lääkityksen vaikutuksen alaisena. Hetkellinenkin huomion herpaantuminen sähkötyökalua käytettäessä saattaa aiheuttaa vakavan henkilökohtaisen vamman.

- Käytä henkilönsuojaimia. Käytä aina silmäsuojaimia. Tarvittaessa käytettävät suojaruusteet, kuten hengityssuojain, liukusteelliset turvakengät, suojakypärä tai kuulosuojaimet, vähentävät henkilövahinkoja.
- Estä vahingossa käynnistyminen. Varmista, että kytkin on off-asennossa, ennen kuin liität virtalähteen ja/tai akun, nosta laitteen tai kannat sitä. Sähkötyökalujen kantaminen niin, että sormesi on kytkimellä, tai sähkötyökaluihin virran kytkeminen kytkin päällä voi aiheuttaa onnettomuuksia.
- Poista kaikki säätöön käytetyt avaimet tai kiintoavaimet ennen kuin käynnistät sähkötyökalun. Sähkötyökalun pyöriivään osaan jätetty avain tai kiintoavain saattaa aiheuttaa henkilövamman.
- Älä kurkottele. Säilytä aina tukeva asento ja hyvä tasapaino. Näin hallitset sähkötyökalun parhaalla mahdollisella tavalla odottamattomissa tilanteissa.
- Pukeudu asianmukaisesti. Älä käytä väljiä vaatteita tai koruja. Pidä hiuksesi, vaatteesi ja käsineesi poissa liikkuvien osien läheltä. Väljät vaatteet, korut tai pitkät hiukset voivat takertua liikkuviin osiin.
- Jos laitteissa on liitännät polynpoistolaitteille ja keräilylaitteille, varmista, että ne on liitetty ja niitä käytetään oikein. Polynpoistolaitteiden käyttö voi vähentää polyn liittyviä vaaroja.
- Älä anna tuotteen tuttuuden toistuvan jäätön takia tehdä sinua liian itsevarmaksi, äläkä jätä työkalun turvallisuusohjeita noudattamatta. Huolimaton toiminta voi aiheuttaa vakavan henkilövahingon sekunnin murtu-osassa.

## **⚠️ Yleiset sähkötyökaluja koskevat turvallisuusvaroitukset - sähkötyökalujen käyttö ja ylläpito.**

- Älä pakota sähkötyökalua. Käytä omaan käyttötarkoitukseesi soveltuvaa sähkötyökalua. Oikea sähkötyökalu suoriutuu parhaiten ja turvallisimmin tehtävästä sille tarkoitettulla nopeudella.
- Älä käytä sähkötyökalua, jos sitä ei saa käynnistettyä ja suljettua kytkimellä. Sähkötyökalun, jota ei voida hallita kytkimellä, käyttö on vaarallista ja laite on korjattava.

- **Irrota pistotulppa virtalähteestä ja/tai akku sähkötyökalusta ennen kuin teet mitään muutoksia, vaihdat apuvälineitä tai laitat sähkötyökalun varastoon.** Nämä estävät turvallisuus-toimenpiteet vähentävät sähkötyökalun vahingossa käynnistämisen riskiä.
- **Säilytä käyttämättömiä sähkötyökaluja lasten ulottumattomissa, äläkä anna henkilöiden, jotka eivät tunne sähkötyökalua tai näitä ohjeita, käyttää sähkötyökalun.** Sähkötyökalut ovat vaarallisia kokemattomien käyttäjien käsissä.
- **Ylläpidä sähkötyökaluja. Tarkista, että liikkuvat osat ovat kunnolla paikallaan, että osat ovat ehjiä, ja että sähkötyökalussa ei ole muita ongelmia, jotka saattaisivat vaikuttaa sen toimintaan.** Jos sähkötyökalu on vahingoittunut, korjauta se ennen käyttöä. Monet onnettomuudet johtuvat huonosti ylläpidetyistä sähkötyökaluista.
- **Pidä leikkuutyökalut terävinä ja puhtaina.** Oikein huolletut leikkuutyökalut, joissa on terävät leikkuureunat, eivät todennäköisesti jumiuudu, ja niitä on helpompia hallita.
- **Käytä sähkötyökaluja, lisävarusteita ja teriä yms. näiden ohjeiden mukaisesti ja niin, että otat huomioon käyttöolosuhteet ja tehtävän työn.** Sähkötyökalujen käyttö muihin kuin niille suunniteltuihin tarkoituksiin saattaa aiheuttaa vaaratilanteen.
- **Pidä kahvat ja tartuntapinnat kuivina, puhtaina, öljyttöminä ja rasvattomina.** Liukkaat kahvat ja tartuntapinnat eivät mahdollista työkalun turvallista käsittelyä ja hallintaa odottamattomissa tilanteissa.
- **Tätä 56 V:n akullista teleskooppivartta PPX1000 saa käyttää seuraavien EGO-lisäosien tai EGO:n tälle akulliselle teleskooppivarrelle suosittelemien lisäosien kanssa:**

LISÄOSAN TYYPPI	MALLIN NUMERO
Pensasleikkurilisäosa	PTX5100
Varsisahaslisäosa	PSX2500

### Yleiset sähkötyökalujen turvallisuusvaroitukset - akkutyökalun käyttö ja kunnossapito.

- **Lataa vain valmistajan määrittelemällä laturilla.** Laturi, joka sopii yhdyntyyppiselle akulle voi aiheuttaa tulipalovaaran, jos sitä käytetään toisenlaisen akun kanssa.

- **Käytä sähkötyökaluissa vain erityisesti niihin tarkoitettuja akkuja.** Muunlaisten akkujen käyttö saattaa aiheuttaa henkilövahingon tai tulipalon vaaran.
- **Kun akku ei ole käytössä, pidä se poissa metalliesineiden, kuten paperiliitinten, kolikoiden, avainten, naulojen, ruuvien tai muiden pienten metalliesineiden, läheltä, jotta ne eivät voi liittää yhtä napaa toiseen.** Akun napojen oikosulku voi aiheuttaa palovammoja tai tulipalon.
- **Akusta voi valua nestettä väärästä käytöstä johtuen. Vältä kosketusta nesteeseen.** Jos kosket nesteeseen vahingossa, huuhtelee vedellä. Jos nestettä pääsee silmiin, hakeudu lääkärin hoitoon. Akusta valuva neste voi aiheuttaa ärsytystä tai palovammoja.
- **Älä käytä akkua tai työkalua, joka on vaurioitunut tai jota on muutettu.** Vaurioituneet tai muutetut akut voivat käyttäytyä arvaamattomasti ja aiheuttaa tulipalon, räjähdyksen tai henkilövahingon vaaran.
- **Älä altista akkua tai työkalua tulelle tai äärimmäisille lämpötiloille.** Altistaminen yli 130 °C:n lämpötilalle voi aiheuttaa räjähdyksen.
- **Noudata kaikkia latausohjeita. Älä lataa akkua tai työkalua lämpötilassa, joka ole ohjeissa ilmoitetun lämpötila-alueen sisällä.** Virheellinen lataaminen tai lataaminen ilmoitetun lämpötila-alueen ulkopuolella olevassa lämpötilassa voi vaurioittaa akkua ja lisätä palovaaraa.

### Yleiset sähkötyökalujen turvallisuusvaroitukset - huolto.

- **Huollata sähkötyökalusi asiantuntevalla korjaajalla, joka käyttää vain identtisiä varaosia.** Näin taataan sähkötyökalun turvallisuuden säilyminen.
- **Älä koskaan huolla vaurioituneita akkuja.** Akkujen huollon saa tehdä vain valmistaja tai sen valtuuttamat huoltoliikkeet.
- **Jos kohtaat tilanteen, jota ei tässä käyttöoppaassa käsitellä, toimi varoen ja käytä omaa harkintakykyä.** Pyydä lisäohjeita EGO-huoltokeskuksesta.

### SÄILYTÄ NÄMÄ OHJEET

ERITYISIÄ LISÄTURVAOHJEITA ON KUNKIN KÄYTETTÄVÄN LISÄOSAN KÄYTTÖOPPAASSA.

### TEKNISET TIEDOT

Jännite	56 V ---
Suosittelu käyttölämpötila:	0–40 °C
Suosittelu säilytyslämpötila	-20–70 °C
Paino	3,9 kg

## KUVAUS

### AKULLISEN TELESKOOPPIVARREN OSAT (kuva A)

1. Takakahva
2. Lukituskieli
3. Kantosilmukka
4. Etukahva
5. Puristusnuppi
6. Varren vapautuspainike
7. Lukitusnuppi
8. Liitoskappale
9. Teleskooppiputki
10. Portaaton nopeuden liipaisin
11. Terän tuki
12. Olkahihna
13. Poistomekanismi
14. Salpa
15. Akun vapautuspainike
16. Avaimen pidike
17. Yhdistelmäavain

FI

## PAKKAUSLUETTELO (KUVA A)

### KOKOAMINEN

**VAROITUS:** Jos jokin osa on vahingoittunut tai puuttuu, älä käytä tuotetta ennen kuin osat on vaihdettu. Tuotteen käyttö vioittuneilla tai puuttuvilla osilla voi aiheuttaa vakavan henkilövahingon.

**VAROITUS:** Poista akku laitteesta aina, kun kokoat osia, teet säätöjä tai puhdistat laitetta, tai kun et käytä laitetta.

### LISÄOSAN KIINNITTÄMINEN AKULLISEEN TELESKOOPPIVARTEEN

**VAROITUS:** Lue ja ymmärrä jokaisen akullisessa teleskooppivarressa käytettävän valinnaisen lisäosan käyttöopas ja noudata kaikkia varoituksia ja ohjeita. Ohjeiden noudattamatta jättäminen saattaa aiheuttaa sähköiskun, tulipalon ja/tai vakavan henkilövahingon.

**VAROITUS:** Tämä 56 V akullinen teleskooppivarsi PPX1000 on suunniteltu käytettäväksi vain käyttöopassa määritettyjen EGO-lisäosamallien kanssa tai EGO:n tähän akulliseen teleskooppivarteeseen myöhemmin lisäämien mallien kanssa. Muiden, luovattomien lisäosien käyttö voi aiheuttaa vakavia henkilövahinkoja tai omaisuusvahinkoja.

**VAROITUS:** Älä koskaan asenna, poista tai säädä mitään lisäosaa, kun akullinen teleskooppivarsi

on käynnissä tai akku on asennettuna. Moottorin sammuttamatta jättäminen ja akun poistamatta jättäminen voivat aiheuttaa vakavan henkilövahingon.

Lisäosa yhdistyy akulliseen teleskooppivarteeseen liitoskappaleen välityksellä.

1. Pysäytä moottori ja poista akku.
2. Löysää lukitusnuppi.
3. Kohdistista lisäosan varren nuoli liitoskappaleeseen kohdistusmerkkiin ja paina lisäosan varretta liitoskappaleeseen, kunnes kuulet "naksahdavan äänen". Liitoskappale on asetettava varteen viitelinjaan saakka, jotta lisäosan varsi asetuu kunnolla paikoilleen. (Kuva B)

B-1	Varren vapautuspainike	B-4	viitelinja
B-2	Kohdistusmerkki	B-5	Lukitusnuppi
B-3	Nuolimerkki		

4. Tarkasta lisäosan varren lukittuminen liitoskappaleeseen vetämällä varretta. Jos se ei pysy, paina lisäosan varretta liitoskappaleeseen, kunnes varsi naksahdtaa paikoilleen.
5. Kiristä lukitusnuppi kunnolla.

**VAROITUS:** Varmista, että lukitusnuppi on kunnolla kiristetty ennen laitteen käyttämistä; tarkista sen kireys säännöllisesti käytön aikana vakavien henkilövahinkojen välttämiseksi.

### LISÄOSAN POISTAMINEN AKULLISESTA TELESKOOPPIVARRESTA

1. Pysäytä moottori ja poista akku.
2. Löysää lukitusnuppi.
3. Paina varren vapautuspainiketta ja pidä painike painettuna, vedä lisäosavarsi irti liitoksesta.

### OLKAHIHNAAN KIINNITYS (kuva C)

Avaa hihnan koukku painamalla ja kiinnitä se kantosilmukkaan.

### TELESKOOPPPUTKEN PIDENTÄMINEN

Työkalu on varustettu teleskooppiputkella, joka laajenee 960 mm:n pituuteen (täysi pituus).

Puristusnuppiä käytetään teleskooppiputken pitämisessä paikollaan kaikissa pituuksissa.

1. Voit pidentää teleskooppiputken löysäämällä puristusnupin noudattaen sen avauskuvaketta. Teleskooppiputki liukuu vapaasti (kuva D)

D-1	Puristusnuppi	D-2	Enimmäisrajan merkki
-----	---------------	-----	----------------------

2. Vedä teleskooppiputki haluamaasi pituuteen.
3. Voit lukita teleskooppiputken paikoilleen, kiristämällä puristusnupin noudattaen sen lukkokuvaetta.

**VAROITUS:** Ole varovainen joka vaiheessa, ettei kätesi tai sormesi jää puristuksiin.

## KÄYTTÖ

**VAROITUS:** Älä anna tämän laitteen tuttuuden tehdä sen käsittelystä huolimattomana. Muista, että sekunnin sadosasankin huolimattomuus riittää vakavan vamman aiheutumiseen.

**VAROITUS:** Käytä aina silmäsuojaimia. Tämän ohjeen laiminlyöminen saattaa aiheuttaa esineiden sinkoutumisen silmiin ja mahdollisen vakavan henkilövahingon.

**VAROITUS:** Älä käytä lisälaitteita tai lisävarusteita, jos tämän tuotteen valmistaja ei ole suositellut niitä. Tällaisten lisävarusteiden tai apuvälineiden käyttö saattaa aiheuttaa vakavia henkilövahinkoja.

## AKUN ASENTAMINEN/POISTAMINEN

**HUOMAA:** Lataa akku täysin ennen käyttöä.

### Asentaminen

Aseta akun ulokset kiinnitysaukoihin ja paina akkua alaspäin, kunnes kuulet naksahduksen (kuva E).

E-1	Kiinnitysaukko	E-2	Uloke
-----	----------------	-----	-------

### Irrottaminen

Paina akun vapautuspainiketta ja vedä akku ulos (kuva F).

**VAROITUS:** Poista akku aina vakavien henkilövahinkojen välttämiseksi, ja pidä kädet poissa lukituskieldestä ja liipaisimelta, kun kannat tai kuljetat työkalua.

### OLKAHIHNA

Käytön turvallisuuden ja sujuvuuden takia laita olkahihna olan yli, kuten kuvassa G. Tämä vähentää käyttäjän käsiin kohdistuvaa painoa. Säädä olkahihnaa, kunnes käyttöasento on mukava.

Hihnan voi vapauttaa kahdella tavalla. Ota se suoraan pois olaltasi (kuva H) tai paina hihnan koukkuja ja irrota se varten kiinnitetystä kantosilmukasta (kuva I).

**VAROITUS:** Olkahihnassa on myös nopea vapautusmekanismi vaaratilanteita varten. Kun on hätätilanne, ota hihna olaltasi välittömästi riippumatta hihnan asennosta.

## AKULLISEN TELESKOOPPIVARREN PITÄMINEN

Akullinen teleskooppivarsi on varustettu edistyneellä kaksoisliipaisinjärjestelmällä (kuva J). Kumpikin liipaisinjärjestelmä voi itsenäisesti kytkeä työkalun päälle tai pois päältä. Innovatiivinen kaksoisohjausmenetelmä mahdollistaa ergonomisen käytön päivittäisessä raskaassa työssä. (Kuvat K ja L)

## AKULLISEN TELESKOOPPIVARREN KÄYNNISTÄMINEN/SAMMUTTAMINEN

### Akullisen teleskooppivarren käynnistäminen

Siirrä lukituskieli eteenpäin ja paina portaaton nopeuden liipaisin pohjaan kytkeäksesi akullisen teleskooppivarren päälle. Mitä enemmän painat portaattonta nopeuden liipaisinta, sitä suuremman nopeuden päälisäosa saavuttaa.

### Pysäyttämisen

Vapauta portaattoman nopeuden liipaisin ja lukituskieli.

## KUNNOSSAPITO

**VAROITUS:** Käytä huollon yhteydessä vain identtisiä varaosia. Tarkasta kone ja huolla sitä säännöllisesti. Pätevän huoltoteknikon tulee suorittaa kaikki korjaukset, jotta voidaan taata tuotteen turvallinen ja luotettava käyttö.

**VAROITUS:** Pysäytä moottori, odota kaikkien liikkuvien osien pysähtymistä ja poista akku ennen laitteen tarkastamista, puhdistamista tai huoltamista. Näiden ohjeiden noudattamatta jättäminen saattaa johtaa vakavaan henkilövahinkoon tai omaisuusvahinkoon.

**HUOMAUTUS:** Ennen jokaista käyttökertaa tarkista koko laite vahingoittuneiden, puuttuvien tai löystyneiden osien varalta, kuten ruuvit, mutterit, pultit, korkit jne. Kiinnitä kaikki kiinnittimet ja korkit tiukasti, äläkä käytä laitetta ennen kuin kaikki puuttuvat tai vahingoittuneet osat on vaihdettu. Ota yhteyttä asiakaspalveluun tai pätevään huoltoasentajaan.

## YLEINEN KUNNOSSAPITO

Vältä liuotainaineiden käyttöä, kun puhdistat muoviosia. Useimmat muovit ovat herkkiä vaurioitumaan erilaisista kaupallisista liuottimista ja voivat vaurioitua niiden käytöstä. Poista lika, pöly, öljy, rasva ym. puhtaalla liinalla.

## AKULLISEN TELESKOOPPIVARREN PUHDISTAMINEN

1. Pysäytä moottori ja poista akku.
2. Puhdista lika ja roskat akullisesta teleskooppivarresta kostealla liinalla ja miedolla puhdistusaineella.

**HUOMAUTUS:** Älä käytä voimakkaita puhdistusaineita muoviseen kuoreen tai kahvaan. Ne saattavat vahingoittaa tietyistä aromaattisista öljyistä, kuten mänty ja sitruuna.

## AKULLISEN TELESKOOPPIVARREN SÄILYTTÄMINEN

1. Poista akku akullisesta teleskooppivarresta ennen säilytykseen laittamista.
2. Puhdista kaikki vieras materiaali akullisesta teleskooppivarresta.
3. Säilytä sitä paikassa, johon lapset eivät pääse.
4. Pidä poissa syövyttävien aineiden, kuten puutarhakemikaalien ja jäänestosuolojen, läheltä.

FI

## Ympäristönsuojelu



Älä hävitä sähkölaitteita, akkulaturia tai akkua / ladattavia paristoja kotitalousjätteen seassa!

## VIANMÄÄRITYS

Katso käytettävän lisäosan käyttöopasta.

## TAKUU

### EGON TAKUUEHDOT

Verkkosivustolta [egopowerplus.com](http://egopowerplus.com) löydät EGO:n takuuehtojen täydelliset ehdot kokonaisuudessaan.

## LES GJENNOM ALLE INSTRUKSJONENE!



### LES BRUKERHÅNDBOKEN

**⚠ Restrisiko!** Personer med elektroniske enheter, for eksempel pacemakere, må rådføre seg med lege før de bruker dette produktet. Drift av elektrisk utstyr i umiddelbar nærhet av en pacemaker kan føre til at pacemakeren forstyrres eller svikter.

**⚠ ADVARSEL:** For å ivareta sikkerheten og påliteligheten må alle reparasjoner og utskiftinger utføres av en kvalifisert servicetekniker.

## SIKKERHETSSYMBOL

Formålet med sikkerhetssymbolene er å rette oppmerksomheten din mot mulige faresituasjoner. Sikkerhetssymbolene og forklaringene krever din fulle oppmerksomhet og forståelse. Symbolvarslene eliminerer ikke farer i seg selv. Instruksjonene og advarslene i dem kan ikke erstatte passende ulykkesforebyggende tiltak.

**⚠ ADVARSEL:** Sørg for at du har lest og forstått alle sikkerhetsanvisningene i denne bruksanvisningen, inkludert alle varselsymboler som «FARE», «ADVARSEL» og «FORSIKTIG» før du bruker dette verktøyet. Hvis du ikke følger alle instruksjonene nedenfor kan det føre til elektrisk støt, brann og/eller alvorlig personskade.

## SYMBOLFORKLARINGER



**⚠ ADVARSEL:** Bruk av hvilke som helst elektroverktøy kan føre til at fremmedlegemer blir kastet mot øynene, noe som kan gi alvorlige øyeskader. Før du begynner å bruke elektroverktøyet, skal du alltid ta på vernebriller eller vernebriller med sideskyttelse, og en full ansiktsskjerm der det trengs. Vi anbefaler en sikkerhetsmaske med bred visjon til bruk over briller, eller standard vernebriller med sideskyttelse.

## SIKKERHETSINSTRUKSER

Denne siden viser og beskriver sikkerhetssymboler som kan være på produktet. Les, forstå og følg alle instruksjoner på enheten før du begynner montering og tar den i bruk.

	Sikkerhetsadvarsel	Angir potensiell fare for personskade.
	LES BRUKERMANUALEEN	For å redusere risikoen for personskade, må brukeren lese og forstå brukerhåndboken før du bruker dette produktet.
	Bruk vernebriller	Bruk alltid vernebriller eller vernebriller med sideskyttelse, og full ansiktsskjerm når du bruker dette produktet.
	CE	Dette produktet er i samsvar med gjeldende EF-direktiver.
	WEEE Elektrisk og elektronisk avfall	Elektrisk avfall skal ikke kastes sammen med husholdningsavfall. Innlever ved en godkjent gjenvinningsstasjon.
	Må ikke utsettes for regn.	Må ikke brukes i regnvær eller etterlates utendørs når det regner.
IPX5	IP-symbol	Beskyttelse mot inntrengning av vanngrad 5
V	Volt	Spenning
mm	Millimeter	Lengde eller størrelse
cm	Centimeter	Lengde eller størrelse
kg	Kilogram	Vekt
	Likestrøm	Type eller en karakteristikk av strømtype

**⚠ ADVARSEL:** Les alle sikkerhetsadvarslere som er angitt med symbolet og alle instruksjonene.

**Ta vare på alle advarslere og instruksjoner for fremtidig bruk.**

Betegnelsen "elektroverktøy" i advarslene refererer til elektroverktøy som kobles til strømmettet (med ledning), eller batteridrevet (trådløst) elektroverktøy.

NO

## **⚠ Generelle sikkerhetsadvarsler for elektroverktøy - Sikkerhet på arbeidsområdet.**

- **Hold arbeidsområdet rent og godt opplyst. Rotete eller mørke områder gjør at ulykker lettere oppstår.**
- **Ikke bruk elektroverktøy i eksplosive omgivelser, for eksempel i nærvær av brennbare væsker, bensin eller støv.** Elektroverktøy lager gnister som kan antenne støv eller damp.
- **Hold barn og andre personer unna når elektroverktøyet er i bruk.** Distraksjoner kan føre til at du mister kontrollen.

## **⚠ Generelle sikkerhetsadvarsler for elektroverktøy - Elektrisk sikkerhet.**

- **Støpselet til elektroverktøyet må passe inn i stikkkontakten. Støpselet må ikke modifiseres eller gjøres om på noen som helst måte.** Ikke bruk adapterstøpsler sammen med jordede elektroverktøy. Støpsler det ikke er gjort endringer med og riktige stikkontakter reduserer risikoen for elektrisk støt.
- **Unngå kroppskontakt med jordete overflater som rør, radiatorer, komfyrer og kjøleskap.** Det er økt risiko for elektrisk støt hvis kroppen din er jordet.
- **Ikke utsett elektroverktøy for regn eller våte omgivelser.** Kommer det vann inn i et elektroverktøy, øker risikoen for elektrisk støt.
- **Ikke utsett ledningen for feil behandling. Unngå å bære eller dra i verktøyet ved hjelp av ledningen, eller å dra i ledningen når du skal ta verktøyet ut av stikkkontakten.** Hold ledningen på avstand fra varme, olje, skarpe kanter og bevegelige deler. Skadede eller sammenfiltrede ledninger øker risikoen for elektriske støt.
- **Når du bruker et elektroverktøy utendørs må du bruke skjøteledning som er godkjent for dette.** Bruk av ledning som er egnet for utendørs bruk reduserer risikoen for elektrisk støt.
- **Hvis du er nødt til å bruke et elektroverktøy i fuktige omgivelser, skal du bruke en jordfeilbryter-beskyttet strømforsyning.** Bruk av GFCI reduserer risikoen for elektrisk støt.

## **⚠ Generelle sikkerhetsadvarsler for elektroverktøy - Personlig sikkerhet.**

- **Vær årvåken, se hva du gjør, og følg sunn fornuft når du bruker et elektroverktøy. Ikke bruk et elektroverktøy hvis du er trøtt eller påvirket av narkotiske stoffer, alkohol eller legemidler.** Et øyeblikks uoppmerksomhet mens du bruker elektroverktøy kan føre til alvorlige personskader.

- **Bruk personlig verneutstyr. Bruk alltid vernebriller.** Verneutstyr som støvmasker, skliskikre vernesko, hjelm eller hørselsvern i egnede forhold reduserer risikoen for personskader.
- **Unngå utilsikket oppstart. Pass på at bryteren er i av-stilling før du kobler til strømkilden og/eller batteripakken, eller når du løfter og bærer verktøyet.** Bærer du elektroverktøy med fingeren på bryteren eller kobler det til strømkilden mens bryteren står i på-posisjon, vil det øke faren for ulykker.
- **Fjern eventuelle justeringsnøkler før du slår på elektroverktøyet.** Et verktøy eller en nøkkel som sitter igjen i en roterende del av elektroverktøyet, kan føre til personskade.
- **Ikke strekk deg for langt. Pass på å ha skikkelig fotfeste og balanse til enhver tid.** Dette muliggjør bedre kontroll over elektroverktøyet i uventede situasjoner.
- **Kle deg riktig. Ikke bruk løstsittende klær eller smykker. Hold hår, klær og hansker unna bevegelige deler.** Løse klær, smykker eller langt hår kan sette seg fast i bevegelige deler.
- **Hvis det følger med utstyr for tilkopling av støvavsug og oppsamlingsutstyr, skal disse kobles til og brukes riktig.** Bruk av støvenheter kan redusere støvrelaterte farer.
- **Selv om du har opparbeidet deg erfaring gjennom hyppig bruk av verktøyet må du alltid være årvåken og følge sikkerhetsinstruksjonene.** Et ørlite øyeblikks uoppmerksomhet er alt som skal til for at alvorlige personskader kan oppstå.

## **⚠ Generelle sikkerhetsadvarsler for elektroverktøy - bruk og stell av elektroverktøy.**

- **Ikke legg press på elektroverktøyet. Bruk et elektroverktøy som er egnet for det du skal gjøre.** Et egnet elektroverktøy vil gjøre jobben på en bedre og tryggere måte, i den hastigheten verktøyet er konstruert for.
- **Ikke bruk elektroverktøyet hvis bryteren ikke slår det på og av.** Elektroverktøy som ikke kan kontrolleres med bryteren er farlig og må repareres.
- **Koble støpselet fra strømkilden og/eller ta batteripakken ut av verktøyet før du foretar justeringer, skifter tilbehør eller setter bort maskinen.** Slike forebyggende sikkerhetstiltak reduserer risikoen for at det elektriske verktøyet starter utilsikket.



- **Oppbevar elektroverktøy utilgjengelig for barn, og ikke la personer som ikke er kjent med verktøyet eller disse instruksjonene, betjene maskinen.**  
Elektroverktøy er farlige når de brukes av uerfarne personer.
- **Vedlikehold av elektroverktøy. Se etter feiljusteringer eller oppbinding av bevegelige deler, skadede deler og eventuelle andre forhold som kan påvirke elektroverktøyets funksjon.** Hvis det er skadet, må elektroverktøyet repareres før bruk. Mange ulykker forårsakes av elektroverktøy som ikke er godt vedlikeholdt.
- **Hold skjæreverktøyet skjerpet og rent.** Riktig vedlikehold av skjæreverktøy med skarpe kanter gjør at det er mindre sannsynlighet for oppbinding, og at det er lettere å kontrollere.
- **Bruk elektroverktøy, tilbehør, bits, osv. i henhold til disse anvisningene, og ta hensyn til omgivelsene og arbeidet som skal utføres.** Bruk av elektroverktøy til andre formål enn det som er angitt, kan føre til farlige situasjoner.
- **Hold håndtakene og gripeflatene tørre, rene og fri for olje og fett.** Glatte håndtak og gripeflater vil gjøre det vanskelig å kontrollere verktøyet og håndtere det på en sikker måte i uventede situasjoner.
- Denne 56V teleskopiske kraftstangen PPX1000 kan bare brukes med følgende EGO-tilbehør eller senere introdusert av EGO for bruk med denne teleskopiske kraftstangen:

TYPE TILBEHØR	MODELLNUMMER
Hekksaksvedlegg	PTX5100
Stangsag (tilbehør)	PSX2500

### **⚠ Generelle sikkerhetsadvarsler for elektroverktøy - Bruk og stell av batteriverktøy.**

- **Lades bare med ladere som er spesifisert av produsenten.** En lader som passer for én type batteripakke, kan gi brannfare dersom den brukes med andre batteripakker.
- **Elektroverktøyet skal bare brukes med spesifiserte batteripakker.** Bruk av andre batteripakker kan skape risiko for skader og brann.
- **Når batteriet ikke er i bruk, skal det holdes unna andre metallgjenstander som binders, mynter, nøkler, spikere, skruer eller andre små objekter av metall som kan lage forbindelse fra én terminal til en annen.** Kortslutning av batteripolene kan forårsake brannskader eller brann.

- **Under farlige forhold kan væske komme ut av batteriet. Unngå kontakt med denne.** Hvis kontakt oppstår ved et uhell, skylld med vann. Får du væske i øynene, skal det i tillegg søkes medisinsk hjelp. Væske som blir slynget ut av batteriet, kan forårsake irritasjon eller brannskader.
- **Ikke bruk en batteripakke eller et verktøy som er skadet eller tilpasset.** Skadde eller modifiserte batterier kan oppføre seg uforutsigbart og medføre brann, eksplosjon eller risiko for personskade.
- **Ikke eksponer batteripakken eller verktøyet for ild eller svært høye temperaturer.** Eksponering for ild eller temperaturer over 130 °C kan forårsake eksplosjon.
- **Følg alle ladeinstruksjonene, og ikke lad batteripakken eller verktøyet utenfor temperaturområdet som er angitt i instruksjonene.** Hvis batteriet lades på feil måte eller ved temperaturer som er utenfor det angitte området, kan batteriet bli skadet og brannrisikoen øke.

### **⚠ Generelle sikkerhetsadvarsler for elektroverktøy - tjenester.**

- **Elektroverktøyet må repareres av et kvalifisert serviceverksted som kun bruker identiske reservedeler.** Dette opprettholder sikkerheten til elektroverktøyet.
- **Batteripakker som er skadet, må aldri brukes.** Service på batteripakker må bare utføres av produsenten eller autoriserte tjenesteleverandører.
- Hvis situasjoner oppstår som ikke er dekket i denne håndboken, må du utvise forsiktighet og sunn fornuft. Kontakt EGOs servicesenter for hjelp.

### **TA VARE PÅ DISSE INSTRUKSJONENE**

### **ANDRE SPESIFIKKE REGLER OM SIKKERHET FINNES I HÅNDBOKEN TIL DET AKTUELLE TILBEHØRET**

## **SPESIFIKASJONER**

Spenning	56 V
Anbefalt driftstemperatur	0 °C–40 °C
Anbefalt lagringstemperatur	-20°C-70°C
Vekt	3,9 kg

## **BESKRIVELSE**

### **KJENN DIN TELESKOPISE STRØMPOLE (fig. A)**

1. Bakre håndtak

2. Låsetunge
3. Bærende eyelet
4. Fronthåndtak
5. Klemknott
6. Akselutløserknapp
7. Låsehåndtak
8. Koplingsstykke
9. Teleskoprør
10. Trigger med variabel hastighet
11. Verktøysstøtte
12. Skulderrem
13. Utkastingsmekanisme
14. Lås
15. Utløserknapp til batteri
16. Nøkkelholder
17. Kombinasjonsnøkkel

## PAKKELISTE (FIG.A)

NO

## MONTERING

**⚠ ADVARSEL:** Hvis noen av delene er skadet eller mangler, må du ikke bruke dette produktet før delene er byttet. Bruk av dette produktet dersom deler er skadet eller mangler, kan føre til alvorlige personskader.

**⚠ ADVARSEL:** Batteripakken skal alltid tas ut når du monterer deler, gjør justeringer, rengjør produktet, eller når produktet ikke er i bruk.

### FESTE ET FESTE TIL TELESKOPISK STRØMPOL

**⚠ ADVARSEL:** Les og forstå hele brukerhåndboken for hvert ekstrautstyr som brukes på denne teleskopiske kraftstangen, og følg alle advarsler og instruksjoner. Unnlattelse av å følge alle instruksjonene kan føre til elektrisk støt, brann og / eller alvorlig personskade.

**⚠ ADVARSEL:** Denne 56V teleskopiske kraftstangen PPX1000 er designet for kun å brukes med EGO-tilkoblingsmodellene som er spesifisert i denne brukerhåndboken eller senere introdusert av EGO for bruk med denne teleskopiske kraftstangen. Bruk av annet tilbehør som ikke er godkjent for produktet, kan medføre alvorlig personskade eller skade på eiendeler.

**⚠ ADVARSEL:** Du må aldri installere, fjerne eller justere tilbehør mens den teleskopiske kraftstangen går eller når batteriet er installert. Hvis du ikke stopper motoren og fjerner batteriet, kan det oppstå alvorlig personskade.

Festet kobles til den teleskopiske kraftstangen ved hjelp av en koblingsanordning.

1. Stopp motoren og ta ut batteripakken.
2. Løsne låseknotten.
3. Juster pilen på festeakselen med justeringsindikatoren på koblingen og skyv festeakselen inn i koblingen til du hører en tydelig "klikk" -lyd, koblingen skal være plassert helt til referanselinjen på akselen som festet akselen er riktig montert på plass. (Fig. B).

B-1	Akselutløserknapp	B-4	referanselinje
B-2	Justeringsindikator	B-5	Låsehåndtak
B-3	Pilmerke		

4. Trekk i skaffet på utstyret for å kontrollere at den er ordentlig låst i koblingen. Hvis ikke, skyv festeakselen i koblingen til den klikker på plass.
5. Stram låseknappen godt.

**⚠ ADVARSEL:** Vær sikker på at låseknotten er strammet helt til før du bruker utstyret; sjekk det med jevne mellomrom for tetthet under bruk for å unngå alvorlig personskade.

### FJERNE FESTET FRA TELESKOPISK STRØMPOL

1. Stopp motoren og ta ut batteripakken.
2. Løsne låseknotten.
3. Trykk på akselutløserknappen, med knappen inne, trekk festeskiftet ut av koblingen.

### MONTERING AV SKULDERREMEN (fig. C)

Trykk på stroppekroken for å åpne den og fest den på bæreyet.

### UTVIDENDE TELESKOPISK RØR

Verktøyet er utstyrt med et teleskoprør som strekker seg til 960 mm (helt utvidet).

Klemknappen brukes til å holde teleskoprøret i posisjon i en lengre lengde.

1. For å utvide det teleskopiske røret, løsner du klemknappen ved å følge opplåsningsikonet. Teleskoprøret vil gli fritt (fig. D)

D-1	Klemknott	D-2	Indikasjon for maksimumsgrense
-----	-----------	-----	--------------------------------

2. Trekk teleskoprøret ut til ønsket lengde på forlengelsen.
3. For å låse teleskoprøret på plass, stram klemmen ved å følge låsikonet.

**⚠ ADVARSEL:** Hvis du klemmer i hånden eller fingrene, må du være forsiktig med å passe på hvert trinn

## OPERASJON

**⚠ ADVARSEL:** Ikke føl deg så trygg med dette verktøyet at du blir skjodesløs. Husk at et uforsiktig tiendedel av et sekund er nok til å forårsake alvorlige skader.

**⚠ ADVARSEL:** Bruk alltid vernebriller. Dersom dette ikke blir gjort, kan du få fremmedlegemer inn i øynene eller pådra deg andre alvorlige skader.

**⚠ ADVARSEL:** Ikke bruk tilbehør eller deler som ikke er anbefalt av produsenten av produktet. Bruk av tilbehør eller deler som ikke anbefales, kan medføre alvorlige personskader.

### INSTALLERE/FJERNE BATTERIPAKKEN

**MERK:** Batteripakken skal fullades før første gangs bruk.

#### Installering

Rett inn batteririllene etter monteringspalene, og trykk batteripakken ned til du hører et "klikk" (fig. E).

E-1	Festespor	E-2	Rib
-----	-----------	-----	-----

#### Frakobling

Trykk på batteriutløserknappen og trekk batteripakken ut (fig. F).

**⚠ ADVARSEL:** For å unngå alvorlig personskade, må du alltid ta ut batteripakken og holde hendene borte fra låsetungen og avtrekkeren når du bærer eller transporterer verktøyet.

#### SKULDERSTROPP

For sikker og bedre bruk, ta på skulderstroppen over skulderen som fig. G for å avlaste vekten på førerens armer. Juster skulderstroppen i en komfortabel operasjonsposisjon.

Det er to måter du kan utløse remmen på. Ta den direkte fra skulderen (fig. H), eller trykk på kroken på stroppen og ta den fra bæreeyet som er festet på skaftet (fig. I)

**⚠ ADVARSEL:** Skulderremmen er også en rask utløsermekanisme i farlige situasjoner. Når en nødsituasjon oppstår, ta apparatet av skulderen umiddelbart, uansett hvordan remmen er påsatt.

### HOLDER DEN TELESKOPISK STRØMPOLEN

Den teleskopiske kraftstangen er utstyrt med et avansert dobbelt utløsesystem (fig. J). Hvert utløsesystem kan uavhengig slå på eller av verktøyet. Denne nyskapende metoden med dobbel kontroll gir mest ergonomisk drift i

daglig tøff jobb. (Fig. K&L)

### START / STOPP AV TELESKOPISK STRØMPOL

#### Å starte den teleskopiske kraftstangen

Flytt låsetungen fremover og trykk på avtrekkeren for variabel hastighet for å slå på teleskopkraftstangen. Jo mer trykk som utøves på den avtrekkeren med variabel hastighet, jo høyere hastighet på hodefeste

#### For å stanse

Slipp avtrekkeren og låsetungen på variabel hastighet.

## VEDLIKEHOLD

**⚠ ADVARSEL:** Når verktøyet trenger service, må bare identiske reservedeler benyttes. Maskinen må etteres og vedlikeholdes regelmessig. For å sikre trygg og pålitelig bruk må alle reparasjoner utføres av en kvalifisert fagperson.

**⚠ ADVARSEL:** Før du etterser, rengjør eller vedlikeholder verktøyet, må du stoppe motoren, vente på at alle deler har stanset, og så ta ut batteripakken. Hvis du ikke følger disse instruksjonene, kan det resultere i alvorlig personskade eller skade på eiendeler.

**⚠ MERK:** Hver gang du skal bruke produktet, må du sjekke at det ikke er skadet eller mangler deler som skruer, muttre, bolter, hetter osv. Trekk godt til alle festeanordninger og hetter, og unngå å bruke produktet før du har fått byttet alle deler som mangler eller er skadet. Ta kontakt med kundeservice eller en kvalifisert servicetekniker.

#### GENERELT VEDLIKEHOLD

Unngå bruk av løsemidler når plastdeler skal rengjøres. De fleste plasttyper kan ta skade av ulike typer løsemidler som er i salg, og kan dermed bli ødelagt. Bruk rene kluter til å fjerne smuss, støv, olje, fett osv.

#### RENGJØRING AV DEN TELESKOPISK STRØMPOLEN

1. Stopp motoren og ta ut batteripakken.
2. Rengjør smuss og rusk fra teleskopstangen med en fuktig klut med et mildt vaskemiddel.

**MERK:** Ikke bruk sterke vaskemidler på plastdeksel eller håndtak. De kan bli skadet av enkelte aromatiske oljer som furu og sitron.

#### LAGRING AV DEN TELESKOPISK STRØMPOLEN

1. Fjern batteripakken fra teleskopstangen før du lagrer den.

2. Rengjør alt fremmedlegemer fra teleskopstangen.
3. Oppbevar den på et sted som er utilgjengelig for barn.
4. Holdes vekk fra etsende midler, for eksempel hagekjemikalier og avisingssalter.

## Beskytt miljøet



Ikke kast elektrisk utstyr, batterilader og batterier / oppladbare batterier i husholdningsavfallet!

## FEILSØKING

Se ellers håndboken til det aktuelle tilbehøret.

## GARANTI

### EGOs GARANTIREGLER

Besøk nettsiden [egopowerplus.com](http://egopowerplus.com) for å se fullstendige vilkår og betingelser for EGO-garantireglene.

## ПРОЧИТАЙТЕ ВСЕ ИНСТРУКЦИИ!



### ПРОЧИТАЙТЕ ВСЕ ИНСТРУКЦИИ

**⚠ Остаточный риск!** Если вы используете такие электронные устройства, как кардиостимулятор, перед эксплуатацией данного устройства проконсультируйтесь с врачом. Использование электрооборудования в непосредственной близости от кардиостимулятора может привести к образованию помех и повреждению кардиостимулятора.

**⚠ ПРЕДУПРЕЖДЕНИЕ.** Для обеспечения безопасной и надежной работы устройства его ремонт и замену частей должен выполнять квалифицированный специалист.

## СИМВОЛЫ БЕЗОПАСНОСТИ

Символы безопасности предназначены для привлечения внимания к возможным рискам. Символы безопасности, а также пояснения к ним, требуют особого внимания и понимания. Предупреждения по технике безопасности сами по себе не устраняют опасность. Инструкции и предупреждения не заменяют соответствующие меры по предотвращению несчастных случаев.

**⚠ ПРЕДУПРЕЖДЕНИЕ.** Перед использованием устройства внимательно прочитайте все инструкции в данном руководстве пользователя и ознакомьтесь с предупреждающими символами безопасности, такими как «ОПАСНОСТЬ», «ПРЕДУПРЕЖДЕНИЕ» и «ВНИМАНИЕ». Несоблюдение всех приведенных ниже инструкций может привести к поражению электрическим током, возникновению пожара и (или) получению серьезных травм.

## УСЛОВНЫЕ ОБОЗНАЧЕНИЯ



**⚠ ПРЕДУПРЕЖДЕНИЕ.** В результате работы электроинструмента в глаза могут попасть посторонние предметы, что приведет к серьезному повреждению глаз. Перед началом использования электроинструмента всегда надевайте защитную маску или защитные очки с боковыми щитками и полнопрофильную защитную маску (при необходимости). Поверх очков или стандартных защитных очков рекомендуется надевать безопасную маску с широким обзором.

## ИНСТРУКЦИЯ ПО ТЕХНИКЕ БЕЗОПАСНОСТИ

Далее приведено изображение и описание символов безопасности, которые могут присутствовать на данном устройстве. Перед сборкой или использованием внимательно прочитайте все инструкции, приведенные на устройстве, и соблюдайте их.

	Предупреждение об опасности	Указывает на потенциальную опасность получения травмы.
	Внимательно прочитайте руководство пользователя.	Чтобы уменьшить риск получения травм, перед использованием устройства необходимо прочитать и понять руководство по эксплуатации.
	Используйте защитные очки.	При работе с данным устройством всегда используйте защиту для глаз или защитные очки с боковыми щитками и полнопрофильную защитную маску.
	CE	Соответствует основным требованиям стандартов безопасности Европейских директив.
	WEEE (утилизация электрического и электронного оборудования)	Неисправные электрические устройства нельзя выбрасывать вместе с бытовым мусором. Сдавайте их в авторизованные пункты сбора и утилизации.
	Не оставляйте под дождем.	Во время дождя не используйте устройство и не оставляйте его вне помещения.
IPX5	Класс защиты IP	Защита от воздействия воды 5 степени
V	Вольт	Напряжение
mm	Миллиметр	Длина или размер
cm	Сантиметр	Длина или размер
kg	Килограмм	Масса
	Постоянный ток	Тип или характеристика тока

RU

**⚠ ПРЕДУПРЕЖДЕНИЕ.** Прочитайте все предупреждения по технике безопасности, обозначенные символом ⚠, и все инструкции.

Сохраните все предупреждения и инструкции для использования в будущем.

Термин «электроинструмент» в предупреждениях означает электрический инструмент с питанием от сети (с кабелем) или электрический инструмент с питанием от аккумулятора (без кабеля).

**⚠ Общие правила техники безопасности для электроинструмента — безопасность рабочего места.**

- Обеспечьте чистоту и освещенность рабочего места. Загроможденные и плохо освещенные места служат причиной несчастных случаев.
- Не используйте электроинструменты во взрывоопасных местах, например вблизи горючих жидкостей, бензина или пыли. Электроинструменты генерируют искры, которые могут воспламенить пыль или испарения.
- Не позволяйте детям и посторонним находиться вблизи работающего электроинструмента. Отвлекающие факторы могут привести к потере контроля.

**⚠ Общие правила техники безопасности при работе с электроинструментами — электробезопасность.**

- Вилка электроинструмента должна соответствовать розетке. Никогда не перерабатывайте вилку. Не используйте переходники для заземленного электроинструмента. Использование оригинальных вилок и соответствующих им розеток уменьшает риск поражения электрическим током.
- Избегайте прикосновений к заземленным объектам, таким как трубы, радиаторы, плиты и холодильники. Риск поражения электрическим током выше, когда тело заземлено.
- Не подвергайте электроинструменты воздействию дождя или влаги. При попадании воды в электроинструмент увеличивается риск поражения электрическим током.
- Обращайтесь с кабелем аккуратно. Никогда не переносите, не тяните и не выключайте электроинструмент за кабель. Держите кабель подальше от источников тепла, масла, острых предметов и движущихся частей. Поврежденные и запутанные кабели повышают риск поражения электрическим током.
- Для работы с электроинструментом вне помещения используйте предназначенный для этого удлинительный кабель. Использование

кабеля, подходящего для использования вне помещения, снижает риск поражения электрическим током.

- Если использование электроинструмента в сыром месте неизбежно, подключайте его через выключатель короткого замыкания на землю (ВКЗЗ). Использование ВКЗЗ уменьшает риск поражения электрическим током.

**⚠ Общие правила техники безопасности при работе с электроинструментами — личная безопасность.**

- При использовании электроинструмента будьте бдительны, следите за своими действиями и следуйте здравому смыслу. Не пользуйтесь электроинструментом, если вы устали или находитесь под воздействием наркотиков, алкоголя или медикаментов. Даже кратковременная невнимательность при работе с электроинструментом может привести к тяжелым травмам.
- Используйте средства индивидуальной защиты. Всегда используйте защитные средства для глаз. Использование защитных средств, таких как респиратор, нескользкая защитная обувь, каска и средства защиты органов слуха в соответствующих условиях уменьшает риск получения травм.
- Не допускайте случайного запуска инструмента. Перед подключением электроинструмента к сети питания (или аккумулятору) и перед его переноской убедитесь, что выключатель находится в выключенном положении. Не держите палец на выключателе при переноске электроинструментов и не включайте вилку в розетку, если электроинструмент включен. Это может привести к несчастному случаю.
- Перед включением электроинструмента снимите с него регулировочные инструменты и гаечные ключи. Регулировочный инструмент или гаечный ключ, оставленный на вращающейся части электроинструмента, может стать причиной травмы.
- Не тянитесь. Всегда сохраняйте устойчивое положение и равновесие. Это позволит лучше контролировать электроинструмент в непредвиденных ситуациях.
- Одевайтесь надлежащим образом. Не надевайте свободную одежду и украшения. Держите волосы, одежду и перчатки подальше от движущихся частей. Свободная одежда, украшения и длинные волосы могут попасть в движущиеся части.
- При наличии устройств для отвода и сбора пыли убедитесь, что они подключены и правильно работают. Использование пылеулавливающих устройств снижает вред, причиняемый пылью.

- Не допускайте небрежности, которая может возникнуть из-за частого использования инструмента и повлечь за собой самоуверенность и игнорирование правил безопасности. Неосторожное действие может причинить серьезную травму за доли секунды.

**⚠ Общие правила техники безопасности при работе с электроинструментами — использование и уход за электроинструментом.**

- Не прикладывайте к электроинструменту чрезмерных усилий. Используйте подходящий для ваших задач электроинструмент. Правильно выбранный электроинструмент более эффективен и безопасен при номинальной нагрузке.
- Не используйте электроинструмент, если его выключатель неисправен. Электроинструменты с неисправным выключателем опасны и подлежат ремонту.
- Перед регулировкой, сменой аксессуаров или хранением отключите электроинструмент от сети питания и (или) аккумулятора. Такие меры предосторожности уменьшают риск случайного запуска электроинструмента.
- Храните неиспользуемые электроинструменты в местах, недоступных для детей, и не доверяйте электроинструмент лицам, не знакомым с ним и с этими инструкциями. Электроинструменты опасны в руках неподготовленных пользователей.
- Выполняйте техническое обслуживание электроинструментов. Проверьте выравнивание и сцепление подвижных деталей, наличие поломок и прочие условия, которые могут повлиять на работу электроинструмента. Если электроинструмент поврежден, перед использованием его необходимо отремонтировать. Недостаточный уход за электроинструментом является причиной многих несчастных случаев.
- Храните режущие инструменты в чистоте и заточенном состоянии. Правильно обслуживаемые и хорошо заточенные режущие инструменты меньше заклинивают и лучше контролируются.
- Используйте электроинструмент, аксессуары, насадки и т. п. в соответствии с этими инструкциями, учитывая условия и специфику выполняемой работы. Использование электроинструмента для выполнения непредусмотренных операций может привести к опасным ситуациям.
- Следите за тем, чтобы рукоятки и поверхности захвата были сухими и чистыми и на них не было масла или смазочного материала. Скользкие рукоятки и поверхности захвата не

позволяют безопасно использовать инструмент и контролировать его в непредвиденных ситуациях.

- Телескопический приводной блок 56 В РРХ1000 можно использовать только с указанными далее инструментами EGO либо с насадками, которые впоследствии будут представлены EGO как предназначенные для использования с данным приводным блоком.

ТИП ИНСТРУМЕНТА	НОМЕР МОДЕЛИ
Насадка кустореза	PTX5100
Насадка высотореза	PSX2500

**⚠ Общие правила техники безопасности при работе с электроинструментами — использование и обслуживание инструмента с питанием от аккумулятора.**

- Заряжайте аккумулятор только с помощью зарядного устройства, указанного изготовителем. Зарядное устройство, предназначенное для одного типа аккумуляторных батарей, может стать причиной пожара при использовании с другим типом батарей.
- Используйте электроинструмент только со специально предназначенными для него аккумуляторами. Использование любого другого вида аккумуляторных батарей может стать причиной несчастных случаев или пожара.
- Когда аккумулятор не используется, храните его отдельно от металлических предметов — канцелярских скрепок, монет, ключей, гвоздей, винтов и др. они могут соединить контакты. Короткое замыкание контактов аккумуляторной батареи может стать причиной ожогов или пожара.
- При неблагоприятных обстоятельствах из аккумулятора может потечь электролит; избегайте контакта с ним. При случайном контакте промойте водой. Если жидкость попала в глаза, обратитесь к врачу. Жидкость из аккумуляторной батареи может вызвать раздражение и ожоги.
- Не используйте аккумулятор и инструмент, если они повреждены или подвергались модификациям. Поведение поврежденных или модифицированных аккумуляторов может быть непредсказуемым, что приведет к возгоранию, взрыву и риску получения травм.
- Не подвергайте аккумуляторную батарею и инструмент воздействию огня и высокой температуры. Воздействие огня или температуры выше 130°C может привести к взрыву.

- Следуйте всем инструкциям по зарядке и не заряжайте аккумулятор и инструмент при температуре, выходящей за пределы указанного диапазона. Если зарядка выполняется неправильно или в условиях неподходящей температуры, это может привести к повреждению аккумулятора и возгоранию.

**⚠ Общие правила техники безопасности при работе с электроинструментами — обслуживание.**

- Ремонт электроинструмента должен производиться квалифицированным специалистом с использованием только идентичных запасных частей. Это обеспечит безопасную работу электроинструмента.
- Никогда не выполняйте обслуживание поврежденного аккумулятора. Обслуживание аккумуляторов должно выполняться только производителем или в авторизованном сервисном центре.
- При возникновении ситуаций, не описанных в данном руководстве, соблюдайте осторожность и руководствуйтесь здравым смыслом. Обратитесь в сервисный центр EGO за помощью.

**СОХРАНИТЕ ДАННОЕ РУКОВОДСТВО. ДОПОЛНИТЕЛЬНЫЕ СПЕЦИАЛЬНЫЕ ПРАВИЛА ТЕХНИКИ БЕЗОПАСНОСТИ МОЖНО НАЙТИ В ИНСТРУКЦИЯХ ПО ЭКСПЛУАТАЦИИ ПРИМЕНЯЕМЫХ ИНСТРУМЕНТОВ**

## СПЕЦИФИКАЦИИ

Напряжение	56 В ---
Рекомендуемая рабочая температура	0...40 °C
Рекомендуемая температура хранения	-20...70 °C
Масса	3,9 кг

## ОПИСАНИЕ

**ЧАСТИ ТЕЛЕСКОПИЧЕСКОГО ПРИВОДНОГО БЛОКА (Рис. А)**

1. Задняя рукоятка
2. Запорный язычок
3. Ушко для крепления ремня
4. Передняя рукоятка
5. Фиксатор
6. Кнопка извлечения вала
7. Фиксатор
8. Муфта
9. Телескопическая трубка
10. Рычаг регулировки скорости

11. Опорная рукоятка
12. Наплечный ремень
13. Выталкивающий механизм
14. Зашелка
15. Кнопка извлечения аккумулятора
16. Держатель гаечного ключа
17. Комбинированный ключ

## КОМПЛЕКТ ПОСТАВКИ (РИС. А)

### СБОРКА

**⚠ ПРЕДУПРЕЖДЕНИЕ.** Если какие-либо части повреждены или отсутствуют, не используйте устройство, пока они не будут установлены. Использование устройства в случае повреждения или отсутствия частей может привести к получению серьезной травмы.

**⚠ ПРЕДУПРЕЖДЕНИЕ.** Перед сборкой, регулировкой, очисткой, а также когда устройство не используется, всегда извлекайте из него аккумулятор.

### УСТАНОВКА НАСАДКИ НА ТЕЛЕСКОПИЧЕСКИЙ ПРИВОДНОЙ БЛОК

**⚠ ПРЕДУПРЕЖДЕНИЕ.** Полностью прочитайте руководство пользователя для каждого дополнительного инструмента, используемого с телескопическим приводным блоком, и следуйте всем предупреждениям и инструкциям. Несоблюдение инструкций может привести к поражению электрическим током, возникновению пожара и (или) получению серьезных травм.

**⚠ ПРЕДУПРЕЖДЕНИЕ.** Этот телескопический приводной блок 56 В PPX1000 предназначен для использования только с моделями инструментов EGO, указанными в данном руководстве пользователя или рекомендованными EGO для использования с данным приводным блоком. Использование других неавторизованных инструментов может стать причиной серьезных травм и повреждения имущества.

**⚠ ПРЕДУПРЕЖДЕНИЕ.** Никогда не выполняйте установку, демонтаж или регулировку инструментов, если телескопический приводной блок работает или установлен аккумулятор. Двигатель должен быть остановлен, а аккумулятор извлечен, в противном случае существует риск получения серьезных травм.

Инструмент соединяется с телескопическим приводным блоком при помощи муфты.

1. Остановите двигатель и извлеките аккумулятор.
2. Откройте фиксатор.



- Совместите стрелку на валу насадки с индикатором выравнивания на муфте и вставьте вал насадки в муфту до щелчка. Чтобы насадка была установлена правильно, муфта должна быть расположена точно до контрольной линии на валу (Рис. В).

B-1	Кнопка извлечения вала	B-4	Контрольная линия
B-2	Индикатор выравнивания	B-5	Фиксатор
B-3	Стрелка		

- Потяните за вал инструмента, чтобы убедиться, что он надежно зафиксирован в муфте. Если это не так, задвиньте вал инструмента в муфту до щелчка.
- Надежно затяните фиксатор.

**⚠ ПРЕДУПРЕЖДЕНИЕ.** Перед использованием устройства убедитесь, что фиксатор полностью затянут. Во время использования время от времени проверяйте надежность его затяжения, чтобы предотвратить риск получения травм.

### ИЗВЛЕЧЕНИЕ ИНСТРУМЕНТА ИЗ ТЕЛЕСКОПИЧЕСКОГО ПРИВОДНОГО БЛОКА

- Остановите двигатель и извлеките аккумулятор.
- Откройте фиксатор.
- Нажмите кнопку извлечения вала и, удерживая ее нажатой, вытяните вал инструмента из муфты.

### УСТАНОВКА НАПЛЕЧНОГО РЕМНЯ (Рис. С)

Нажмите на карабин ремня, чтобы открыть его, и присоедините к ушку для крепления ремня.

### ВЫДВИЖЕНИЕ ТЕЛЕСКОПИЧЕСКОЙ ТРУБКИ

Инструмент оснащен телескопической трубкой, которая выдвигается до 960 мм (полная длина).

Для удержания телескопической трубы в любом раздвинутом положении используется фиксатор.

- Чтобы выдвинуть телескопическую трубку, ослабьте фиксатор в соответствии со значком разблокировки. Телескопическая трубка будет свободно скользить (Рис. D).

D-1	Фиксатор	D-2	Индикатор максимального выдвижения
-----	----------	-----	------------------------------------

- Вытяните телескопическую трубку до нужной длины.
- Чтобы заблокировать телескопическую трубку в выбранном положении, затяните фиксатор.

**⚠ ПРЕДУПРЕЖДЕНИЕ.** Будьте осторожны, чтобы не защемить пальцы.

## ЭКСПЛУАТАЦИЯ

**⚠ ПРЕДУПРЕЖДЕНИЕ.** Не допускайте небрежности и беспечности при работе с устройством. Помните, что потери бдительности на долю секунды достаточно для получения серьезной травмы.

**⚠ ПРЕДУПРЕЖДЕНИЕ.** Всегда используйте защитные средства для глаз. В противном случае выбрасываемые предметы могут попасть в глаза, что приведет к получению серьезной травмы.

**⚠ ПРЕДУПРЕЖДЕНИЕ.** Не используйте насадки или дополнительные приспособления, не рекомендованные производителем устройства. Использование нерекондованных насадок и дополнительных приспособлений может привести к серьезным травмам.

### УСТАНОВКА И ИЗВЛЕЧЕНИЕ АККУМУЛЯТОРА

**ПРИМЕЧАНИЕ.** Перед первым использованием полностью зарядите аккумулятор.

#### Установка

Совместите ребра аккумулятора с крепежными отверстиями и вставьте аккумулятор до щелчка (Рис. E).

E-1	Крепежное отверстие	E-2	Выступ
-----	---------------------	-----	--------

#### Извлечение

Нажмите кнопку фиксации аккумулятора и извлеките аккумулятор (Рис. F).

**⚠ ПРЕДУПРЕЖДЕНИЕ.** Чтобы предотвратить получение серьезной травмы, во время переноски и транспортировки инструмента всегда извлекайте аккумулятор и не держите руки на запорном язычке и курковом переключателе.

#### ПЛЕЧЕВОЙ РЕМЕнь

Для более безопасной и эффективной работы надевайте ремень через плечо, как показано на Рис. G, чтобы уменьшить нагрузку на руки оператора. Отрегулируйте наплечный ремень до удобного положения.

Существует два способа отсоединения ремня. Снимите его непосредственно с плеча (Рис. Н) или отстегните карабин и отсоедините его от ушка для крепления ремня на валу (Рис. I).

**⚠ ПРЕДУПРЕЖДЕНИЕ.** Наплечный ремень также является быстроразъемным механизмом, использующимся в опасных ситуациях. В случае возникновения чрезвычайной ситуации немедленно снимите его с плеча любым способом.

## ОБРАЩЕНИЕ С ТЕЛЕСКОПИЧЕСКИМ ПРИВОДНЫМ БЛОКОМ

Телескопическая штанга оснащена усовершенствованной двойной системой включения (Рис. J). Каждая система может независимо включать и выключать инструмент. Этот инновационный метод двойного управления обеспечивает максимальную эргономичность в повседневной сложной работе (Рис. K и L).

RU

## ЗАПУСК И ОСТАНОВКА ТЕЛЕСКОПИЧЕСКОГО ПРИВОДНОГО БЛОКА

### Запуск телескопического приводного блока

Чтобы включить приводной блок, переместите запорный язычок вперед и нажмите курковый регулятор скорости. Чем сильнее давление на курковый регулятор скорости, тем выше скорость насадки.

### Остановка

Отпустите курковый регулятор скорости и отпустите запорный язычок.

## ОБСЛУЖИВАНИЕ

**⚠ ПРЕДУПРЕЖДЕНИЕ.** При ремонте используйте только идентичные запасные части. Регулярно проверяйте устройство и выполняйте его обслуживание. Для обеспечения безопасности и надежности устройства его ремонт должен выполнять квалифицированный специалист.

**⚠ ПРЕДУПРЕЖДЕНИЕ.** Прежде чем выполнять проверку, очистку или обслуживание устройства, выключите двигатель, дождитесь, пока все движущиеся детали полностью остановятся, а затем извлеките аккумулятор. Несоблюдение данных инструкций может привести к серьезным травмам или материальному ущербу.

**⚠ ПРИМЕЧАНИЕ.** Перед каждым использованием полностью проверяйте устройство на наличие поврежденных, отсутствующих или плохо

закрепленных частей, таких как винты, гайки, болты, заглушки и т. д. Надежно закрепите все фиксаторы и заглушки и не пользуйтесь устройством до тех пор, пока не будут заменены поврежденные или отсутствующие части. Обратитесь в сервисный центр или к квалифицированному специалисту.

## ОБЩЕЕ ОБСЛУЖИВАНИЕ

Не используйте растворители для очистки пластиковых частей. Большинство пластиковых частей чувствительны к различным бытовым растворителям и могут быть повреждены. Для очистки от грязи, пыли, масла, смазки и т. п. используйте чистую ткань.

## ОЧИСТКА ТЕЛЕСКОПИЧЕСКОГО ПРИВОДНОГО БЛОКА

1. Остановите двигатель и извлеките аккумулятор.
2. Очистите приводной блок от грязи и мусора с помощью влажной ткани с мягким моющим средством.

**ПРИМЕЧАНИЕ.** Не используйте активные моющие средства для очистки пластикового корпуса или рукоятки. Они могут быть повреждены определенными ароматическими маслами, такими как хвойное и лимонное масла.

## ХРАНЕНИЕ ТЕЛЕСКОПИЧЕСКОГО ПРИВОДНОГО БЛОКА

1. Перед хранением извлеките аккумулятор из приводного блока.
2. Очистите приводной блок от всех инородных материалов.
3. Храните в недоступном для детей месте.
4. Храните вдали от источников коррозии, таких как садовые удобрения и техническая соль.

### Защита окружающей среды



Не выбрасывайте электрооборудование, зарядные устройства, батарейки и аккумуляторы вместе с бытовыми отходами!



### УСТРАНЕНИЕ НЕПОЛАДOK

См. руководство пользователя используемого инструмента.

### ГАРАНТИЯ

#### ГАРАНТИЙНАЯ ПОЛИТИКА EGO

Посетите веб-сайт [egopowerplus.com](http://egopowerplus.com), чтобы ознакомиться со всеми условиями и сроками гарантийной политики EGO.

## PRZECZYTAJ WSZYSTKIE INSTRUKCJE!



### PRZECZYTAJ INSTRUKCJĘ OBSŁUGI

**⚠ Ryzyko resztkowe!** Osoby z urządzeniami elektronicznymi, takimi jak rozruszniki serca, powinny przed użyciem produktu skonsultować się ze swoim(i) lekarzem/-ami. Używanie urządzeń elektrycznych blisko rozrusznika serca może spowodować zakłócenia lub uszkodzić rozrusznik.

**⚠ OSTRZEŻENIE:** Aby zagwarantować bezpieczeństwo i niezawodność, wszystkie naprawy i wymiany części powinny być wykonywane przez wykwalifikowanych techników serwisu.

## SYMBOL BEZPIECZEŃSTWA

Celem symboli bezpieczeństwa jest zwrócenie uwagi użytkownika na możliwe zagrożenia. Symbole bezpieczeństwa i objaśnienia do nich zaslужują na to, aby je uważnie przestudiować i zrozumieć. Symbole bezpieczeństwa nie eliminują same z siebie jakichkolwiek zagrożeń. Podawane w nich instrukcje i ostrzeżenia nie zastępują odpowiednich środków zapobiegania wypadkom.

**⚠ OSTRZEŻENIE:** Przed użyciem narzędzia należy koniecznie przeczytać ze zrozumieniem wszystkie instrukcje dotyczące bezpieczeństwa podane w podręczniku użytkownika, łącznie z wszystkimi symbolami ostrzegawczymi takimi jak „**NIEBEZPIECZEŃSTWO**”, „**OSTRZEŻENIE**” i „**UWAGA**”. Niestosowanie się do wszystkich podanych niżej instrukcji może doprowadzić do porażenia prądem, pożaru i/lub poważnych obrażeń.

## ZNACZENIE SYMBOLI



**⚠ OSTRZEŻENIE:** Praca elektronarzędziami może spowodować wyrzucenie ciał obcych w oczy użytkownika, co może doprowadzić do poważnych urazów oczu. Przed rozpoczęciem pracy elektronarzędziem należy zawsze założyć gogle ochronne lub okulary z osłonami bocznymi, a w stosownych przypadkach także pełną osłonę na twarz. Zalecamy nakładanie na zwykłe okulary maski zabezpieczającej o szerokim polu widzenia lub stosowanie standardowych okularów zabezpieczających z osłonami bocznymi.

## INSTRUKCJE DOTYCZĄCE BEZPIECZEŃSTWA

Na tej stronie pokazano i opisano symbole bezpieczeństwa, które mogą występować na produkcie. Przed podjęciem próby złożenia i użycia urządzenia należy przeczytać i zrozumieć wszystkie instrukcje dotyczące narzędzia oraz zastosować się do nich.

	Ostrzeżenie dotyczące bezpieczeństwa	Wskazuje na potencjalne ryzyko urazów ciała.
	Przeczytaj instrukcję obsługi	Aby zmniejszyć ryzyko urazów, przed rozpoczęciem używania urządzenia, użytkownik musi przeczytać i zrozumieć instrukcję.
	Noś okulary ochronne	Podczas używania produktu należy zawsze nosić gogle ochronne lub okulary ochronne z osłonami bocznymi, a także pełną osłonę na twarz.
	CE	Ten produkt jest zgodny z obowiązującymi dyrektywami WE.
	WEEE	Zużytych wyrobów elektrycznych nie należy wyrzucać razem ze zwykłymi odpadami domowymi. Należy je oddać do autoryzowanego punktu recyklingu.
	Chronić przed deszczem	Nie używać w deszczu i nie zostawiać na dworze podczas deszczu.
IPX5	Symbol IP	Zabezpieczenie przed dostawianiem się wody do środka, stopień 5
V	Wolt	Napięcie
mm	Milimetr	Długość lub rozmiar
cm	Centymetr	Długość lub rozmiar
kg	Kilogram	Ciężar
	Prąd stały	Rodzaj lub charakterystyka prądu

**⚠ OSTRZEŻENIE:** Prosimy przeczytać wszystkie ostrzeżenia oznaczone symbolem oraz wszystkie instrukcje.

Wszystkie ostrzeżenia i instrukcje należy zachować na przyszłość.

Termin „elektronarzędzie” występujący w ostrzeżeniach dotyczy narzędzia elektrycznego o zasilaniu sieciowym (przewodowego) lub akumulatorowym (beprzewodowego).

**⚠ Ogólne ostrzeżenia dotyczące elektronarzędzi – bezpieczeństwo w miejscu pracy.**

- Należy dbać o czystość i dobre oświetlenie w miejscu pracy. Bałagan i złe oświetlenie sprzyjają wypadkom.
- Nie należy używać elektronarzędzi w miejscach zagrożonych wybuchem, np. w obecności łatwopalnych cieczy, benzyny lub pyłu. Elektronarzędzia wytwarzają iskry, które mogą zapalić opary lub pył.
- W czasie pracy elektronarzędzie należy trzymać z dala od dzieci i osób postronnych. Chwila nieuwagi może spowodować utratę kontroli nad urządzeniem.

**⚠ Ogólne ostrzeżenia dotyczące elektronarzędzi – bezpieczeństwo elektryczne.**

- Wtyczki elektronarzędzi muszą pasować do gniazdek. Nigdy w jakikolwiek sposób nie należy przerabiać wtyczki. Do elektronarzędzi wymagających uziemienia nie należy używać przejściówek. Oryginalne wtyczki i pasujące do nich gniazdka zmniejszają ryzyko porażenia prądem.
- Należy unikać dotykania ciałem powierzchni uziemionych, takich jak np. rury, kaloryfery, kuchenki i lodówki. Uziemienie ciała zwiększa ryzyko porażenia prądem.
- Elektronarzędzia należy chronić przed deszczem i wilgocią. Woda dostająca się do wnętrza elektronarzędzia zwiększa ryzyko porażenia prądem.
- Nie należy nadwyrażać przewodu. Nigdy nie należy używać przewodu do noszenia lub ciągnięcia elektronarzędzia; nie należy chwycić za przewód, aby wyjąć wtyczkę z kontaktu. Przewód należy chronić przed gorącym, ropą, olejem, ostrymi krawędziami i poruszającymi się częściami. Zaplątane lub uszkodzone przewody zwiększają ryzyko porażenia prądem.
- Podczas używania elektronarzędzia na dworze należy stosować przedłużacz nadający się do używania na dworze. Używanie przewodu

przeznaczonego do stosowania na dworze zmniejsza ryzyko porażenia prądem.

- Jeżeli użycie elektronarzędzia w miejscu o dużej wilgotności jest nieuniknione, należy stosować zasilanie zabezpieczone wyłącznikiem różnicowoprądowym. Używanie wyłącznika różnicowoprądowego zmniejsza ryzyko porażenia prądem.

**⚠ Ogólne ostrzeżenia dotyczące elektronarzędzi – bezpieczeństwo osobiste.**

- Podczas pracy narzędziem należy zachowywać czujność, patrzeć, co się robi i kierować się zdrowym rozsądkiem. Nie należy używać elektronarzędzia, gdy użytkownik jest zmęczony, albo pod wpływem narkotyków, alkoholu lub leków. Chwila nieuwagi w czasie posługiwania się elektronarzędziami może spowodować poważne obrażenia.
- Należy używać środków ochrony osobistej. Należy zawsze nosić okulary ochronne. Stosowanie w odpowiednich warunkach sprzętu ochronnego takiego jak np. maska przeciwpyłowa, obuwie ochronne z podszewkami antypoślizgowymi, kask lub ochronniki słuchu zmniejszy ewentualne obrażenia.
- Nie należy dopuszczać do przypadkowego włączenia. Należy pilnować, aby przed podłączeniem narzędzia do zasilania i/lub baterii akumulatorowej oraz przed podniesieniem i przenoszeniem przełącznik był ustawiony w pozycji „wyłączone”. Trzymanie palca na przełączniku włączającym w czasie przenoszenia elektronarzędzi lub podłączanie ich do zasilania, gdy przełącznik ustawiony jest w pozycji „włączone”, może doprowadzić do wypadku.
- Przed włączeniem elektronarzędzia należy usunąć wszystkie klucze regulacyjne i inne narzędzia. Klucz zaczepiony o obracającą się część elektronarzędzia może spowodować obrażenia.
- Nie należy sięgać za daleko. Należy zawsze dbać o utrzymanie równowagi i pewne podparcie nóg. W nieprzewidzianych sytuacjach zapewnia to lepszą kontrolę nad elektronarzędziem.
- Należy nosić odpowiednią odzież. Nie powinno się nosić luźnych ubrań ani biżuterii. Włosy, odzież i rękawice należy trzymać z dala od poruszających się części. Luźne ubrania, biżuteria lub długie włosy mogą zaczepić się o poruszające się części.
- Jeżeli urządzenie jest przystosowane do podłączania do odsysacza pyłu i urządzenia zbierającego, należy dopilnować, aby systemy te były podłączone i właściwie stosowane. Używanie urządzeń służących do pochłaniania pyłu może zmniejszyć zagrożenia związane z pyłem.

- Nie wolno dopuścić do tego, aby poczucie znajomości narzędzia wynikające z jego częstego używania doprowadziło do lekceważenia i ignorowania zasad bezpieczeństwa. Jedno lekkomyślne działanie może w ułamku sekundy doprowadzić do ciężkich urazów.

## **⚠ Ogólne ostrzeżenia dotyczące elektronarzędzi – używanie i utrzymanie elektronarzędzi.**

- Elektronarzędzia nie należy forsować. Należy używać narzędzia dostosowanego do wykonywanej pracy. Odpowiednie narzędzie elektryczne wykona pracę lepiej i bezpieczniej, gdy pozwoli mu się pracować z prędkością/obrotami do jakich zostało zaprojektowane.
- Nie należy używać elektronarzędzia, jeżeli przełącznik zasilania nie włącza go lub nie wyłącza. Elektronarzędzie, którego nie da się kontrolować przełącznikiem, jest potencjalnie niebezpieczne i wymaga naprawy.
- Przed jakąkolwiek regulacją, wymianą akcesoriów lub schowaniem elektronarzędzia należy wyjąć wtyczkę z gniazdka i/lub odłączyć od narzędzia akumulator. Tego typu zapobiegawcze środki ostrożności zmniejszają ryzyko przypadkowego włączenia się elektronarzędzia.
- Nieużywane elektronarzędzia należy przechowywać w miejscu niedostępnym dla dzieci. Osobom, które nie znają narzędzia lub nie zapoznały się z instrukcją nie należy pozwalać go używać. W rękach nieprzeszkolonych użytkowników elektronarzędzia mogą stanowić zagrożenie.
- Elektronarzędzia należy utrzymywać w dobrym stanie. Należy kontrolować, czy części ruchome nie są odchylone od osi, nie zaczynają się i nie są pęknięte lub uszkodzone w inny sposób, który mógłby wpłynąć na działanie elektronarzędzia. W razie uszkodzenia, przed użyciem narzędzie należy oddać do naprawy. Wiele wypadków wynika ze złej konserwacji elektronarzędzi.
- Należy dbać o czystość i naostrzenie narzędzi tnących. Odpowiednio utrzymane narzędzia tnące z ostrymi krawędziami tnącymi są mniej narażone na zakleszczanie się i łatwiej jest je kontrolować.
- Elektronarzędzi, akcesoriów, wiertel, bitów, itp. należy używać zgodnie z niniejszą instrukcją, z uwzględnieniem warunków i rodzaju wykonywanej pracy. Korzystanie z elektronarzędzi niezgodnie z przeznaczeniem może prowadzić do niebezpiecznych sytuacji.
- Należy dbać o to, aby uchwyty i powierzchnie do trzymania były suche, czyste i niezaplamione olejem

lub smarem. Śliskie uchwyty nie pozwalają w bezpieczny sposób kontrolować narzędzia w nieprzewidzianych sytuacjach.

- Ten teleskopowy drążek zasilający PPX1000 56 V może być używany wyłącznie z następującymi końcówkami EGO lub z końcówkami EGO wprowadzonymi przez EGO później i przeznaczonymi do stosowania z teleskopowym drążkiem zasilającym:

RODZAJ KOŃCÓWKI	NUMER MODELU
Końcówka nożyce do żywoplotu	PTX5100
Końcówka okrzesywarka na wysięgniku	PSX2500

## **⚠ Ogólne ostrzeżenia dotyczące elektronarzędzi – używanie i utrzymanie narzędzi akumulatorowych.**

- Do ładowania należy używać wyłącznie ładowarki wskazanej przez producenta. Użycie ładowarki pochodzącej od jednego akumulatora do ładowania innego akumulatora grozi pożarem.
- Elektronarzędzi należy używać wyłącznie z dedykowanymi do nich akumulatorami. Użycie jakichkolwiek innych akumulatorów grozi obrażeniami i pożarem.
- Jeżeli akumulator nie jest używany, należy go przechowywać z dala od innych przedmiotów metalowych, np. spinaczy, monet, kluczy, gwoździ, śrub i innych drobnych przedmiotów metalowych, które mogłyby spowodować zwarcie wyprowadzeń akumulatora. Zwarcie wyprowadzeń akumulatora może doprowadzić do oparzenia lub pożaru.
- W niesprzyjających warunkach może dojść do wycieku cieczy z akumulatora. Należy wtedy unikać wszelkiego kontaktu z tą cieczą. W razie przypadkowego kontaktu ze skórą, zabrudzone miejsce należy obficie przemyć wodą. Jeżeli płyn dostanie się do oczu, należy dodatkowo zasięgnąć porady lekarza. Płyn wyciekający z akumulatora może powodować podrażnienie lub oparzenia.
- Nie należy używać akumulatora lub narzędzia, które są uszkodzone lub zostały poddane przeróbkom. Uszkodzone lub zmodyfikowane akumulatory mogą zachowywać się w sposób nieprzewidywalny, co może doprowadzić do pożaru lub wybuchu lub stwarzać ryzyko urazów.
- Nie należy narażać akumulatora lub narzędzia na kontakt z ogniem lub zbyt wysokimi temperaturami. Ogień lub temperatury przekraczające 130°C mogą doprowadzić do wybuchu.
- Należy przestrzegać wszystkich instrukcji ładowania. Nie należy ładować akumulatora lub

**narzędzia poza przedziałem temperatur podanym w instrukcji.** Ładowanie w sposób nieprawidłowy lub w temperaturze wykraczającej poza określony zakres może doprowadzić do uszkodzenia akumulatora i zwiększa ryzyko pożaru.

**⚠ Ogólne ostrzeżenia dotyczące elektronarzędzi – serwisowanie.**

- **Serwisowanie elektronarzędzia należy powierzać wykwalifikowanemu serwisantowi, a do naprawy używać wyłącznie części zamiennych identycznych z oryginalnymi.** Zapewni to bezpieczeństwo eksploatacji elektronarzędzia.
- **Uszkodzonych akumulatorów nie należy nigdy naprawiać.** Jakiegokolwiek czynności serwisowe przy akumulatorach powinny być wykonywane wyłącznie przez producenta lub pracowników autoryzowanego serwisu.
- W sytuacjach, które nie zostały przewidziane w niniejszej instrukcji należy zachować ostrożność i kierować się własnym zdrowym rozsądkiem. W celu uzyskania pomocy prosimy skontaktować się z centrum serwisowym EGO.

**NINIEJSZĄ INSTRUKCJĘ NALEŻY ZACHOWAĆ.**

**DODATKOWE SPECJALNE ZASADY BEZPIECZEŃSTWA ZNALEŻĆ MOŻNA W INSTRUKCJACH DO POSZCZEGÓLNYCH KOŃCÓWEK**

## SPECYFIKACJA

Napięcie	56 V
Zalecana temperatura użytkowania:	0-40°C
Zalecana temperatura przechowywania	-20°C-70°C
Ciężar	3,9 kg

## OPIS

**ZAPOZNANIE Z KOŃCÓWKĄ TELESKOPOWY DRAŻEK ZASILAJĄCY (Rys. A)**

1. Uchwyt tylny
2. Dźwignia odblokowująca
3. Oczko do noszenia
4. Uchwyt przedni
5. Pokrętko zaciskowe
6. Przycisk odłączania trzonka
7. Pokrętko blokujące
8. Sprzęgacz
9. Trzonek teleskopowy
10. Spust z regulacją prędkości
11. Wspornik narzędzia

12. Pasek naramienny
13. Mechanizm odłączania
14. Zatrzasak
15. Przycisk odblokowujący akumulator
16. Uchwyt na klucz
17. Klucz wielofunkcyjny

## LISTA ELEMENTÓW W OPAKOWANIU (RYS. A)

### MONTAŻ

**⚠ OSTRZEŻENIE:** W przypadku braku lub uszkodzenia którejs z części nie należy uruchamiać urządzenia aż do momentu wymiany lub naprawy części. Używanie urządzenia z uszkodzonymi częściami lub gdy którejs z części brakuje może doprowadzić do poważnych urazów ciała.

**⚠ OSTRZEŻENIE:** Przed montażem części, regulacją i czyszczeniem oraz gdy produkt nie jest używany należy zawsze wyjąć z niego akumulator.

### PODŁĄCZANIE KOŃCÓWKI DO TELESKOPOWEGO DRAŻKA ZASILAJĄCEGO

**⚠ OSTRZEŻENIE:** Prosimy przeczytać i zrozumieć całą instrukcję operatora do każdej opcjonalnej końcówki używanej z teleskopowym drążkiem zasilającym, należy też zastosować się do wszystkich podanych ostrzeżeń i instrukcji. Niestosowanie się do wszystkich instrukcji może doprowadzić do porażenia prądem, pożaru i/lub poważnych obrażeń.

**⚠ OSTRZEŻENIE:** Teleskopowy drążek zasilający PPX1000 56 V zaprojektowano do używania tylko z modelami końcówek EGO podanych w instrukcji operatora lub wprowadzonymi przez EGO w późniejszym okresie z przeznaczeniem do używania razem z niniejszym teleskopowym drążkiem zasilającym. Używanie innych końcówek, które nie zostały zatwierdzone przez producenta może doprowadzić do poważnych urazów lub szkód materialnych.

**⚠ OSTRZEŻENIE:** Nigdy nie należy zakładać, zdejmować ani regulować jakichkolwiek końcówek, gdy teleskopowy drążek zasilający pracuje lub z założonym akumulatorem. Niewyłączenie silnika narzędzia i niewyjęcie akumulatora może spowodować poważne urazy ciała.

Końcówka jest połączona z teleskopowym drążkiem zasilającym za pomocą elementu sprzęgającego.

1. Wyłączyć silnik i wyjąć akumulator.

2. Poluzować pokrętko blokujące.
3. Dopasować strzałkę na wałku końcówki do oznaczenia dopasowania na sprzęgaczu i wcisnąć wałek końcówki do sprzęgacza aż do punktu, w którym rozlegnie się kliknięcie. Sprzęgacz powinien być , które oznacza, że wałek końcówki został zamocowany w sprzęgaczu (Rys. B). (Rys. B).

B-1	Przycisk odłączania trzonka	B-4	Linia odniesienia
B-2	Oznaczenie dopasowania	B-5	Pokrętko blokujące
B-3	Znak strzałki		

4. Pociągnąć wałek końcówki, aby upewnić się, czy jest on dobrze zamocowany w sprzęgaczu. Jeśli nie jest, wcisnąć wałek końcówki w sprzęgaczu, aż zablokuje się i zaskoczy.
5. Mocno dokręcić pokrętko blokujące.

**⚠ OSTRZEŻENIE:** Przed użyciem urządzenia należy dopilnować, aby pokrętko blokujące było całkowicie dokręcone, w czasie użytkowania pokrętko należy okresowo kontrolować, aby nie dopuścić do poważnych urazów.

## ZDEJMOWANIE KOŃCÓWKI Z TELESKOPEWEGO DRAŻKA ZASILAJĄCEGO

1. Wyłączyć silnik i wyjąć akumulator.
2. Poluzować pokrętko blokujące.
3. Nacisnąć i przytrzymać przycisk odblokowujący drążek i wyciągnąć trzonek końcówki z łączówki.

## MONTAŻ PASKA NARAMIENNEGO (Rys. C)

Należy nacisnąć zaczep na pasek, aby go otworzyć i zaczepić go na oczku do noszenia.

## WYSUWANIE TRZONKA TELESKOPEWEGO

Narzędzie jest wyposażone w trzonek teleskopowy, który rozsuwa się na długość 960 mm (maksymalne wysunięcie).

Pokrętko zaciskowe służy do przytrzymywania drążka teleskopowego w pozycji rozsuniętej na zadaną długość.

1. Aby rozsunąć trzonek teleskopowy, poluzować pokrętko zaciskowe w kierunku pokazanym ikoną „odblokowane”. Trzonek teleskopowy będzie teraz można swobodnie rozsuwać (Rys. D).

D-1	Pokrętko zaciskowe	D-2	Oznaczenie maksymalnego rozsunienia
-----	--------------------	-----	-------------------------------------

2. Wysunąć trzonek teleskopowy na żądaną długość.
3. Aby zablokować trzonek teleskopowy w ustawionej pozycji, dokręcić pokrętko zaciskowe w kierunku pokazanym ikoną „zablokowane”.

**⚠ OSTRZEŻENIE:** Aby nie przytrzasnąć sobie dłoni lub palców, prosimy zachować ostrożność na każdym etapie pracy.

## UŻYTKOWANIE

**⚠ OSTRZEŻENIE:** Nie wolno dopuścić do tego, aby znajomość narzędzia doprowadziła do nieuwagi. Należy pamiętać, że do spowodowania poważnych obrażeń wystarczy zaledwie chwila nieuwagi.

**⚠ OSTRZEŻENIE:** Należy zawsze nosić okulary ochronne. Nieprzestrzeganie tego zalecenia może doprowadzić do poważnych obrażeń oczu odłamkiem lub skrawkiem materiału wyrzuconym przez pracujące narzędzie, a także grozi innymi możliwymi urazami.

**⚠ OSTRZEŻENIE:** Nie należy używać końcówek lub akcesoriów innych niż zalecane przez producenta produktu. Używanie końcówek lub akcesoriów innych niż zalecane może doprowadzić do poważnych obrażeń.

## ZAKŁADANIE WYJMOWANIE AKUMULATORA

**UWAGA:** Przed pierwszym użyciem należy całkowicie naładować akumulator.

### Instalacja

Należy dopasować żeberka akumulatora do szczelin mocujących i wsunąć akumulator do ładowarki aż da się słyszeć kliknięcie (Rys. E).

E-1	Szczelina mocująca	E-2	Żebro
-----	--------------------	-----	-------

### Wyjmowanie

Należy wcisnąć przycisk wyjmowania akumulatora i wysunąć akumulator (Rys. F).

**⚠ OSTRZEŻENIE:** Aby uniknąć poważnych obrażeń ciała, na czas przenoszenia i transportowania narzędzia należy zawsze wyjmować akumulator. Ręce należy trzymać z dala od dźwigni odblokowującej i spustu.

### PASEK NARAMIENNY

Aby bezpieczniej i lepiej pracować narzędziem, należy przeloczyć przez ramię pasek naramienny, tak jak na Rys. G. Pasek ten odciąża ramiona operatora. Pasek należy wyregulować w taki sposób, aby zagwarantować



wygodną pozycję pracy.

Pasek można rozpiąć na dwa sposoby. Można go bezpośrednio zdjąć z ramienia (Rys. H) lub można nacisnąć zaczep na pasku i zdjąć pasek z oczka do noszenia zamocowanego na trzonku (Rys. I).

**⚠ OSTRZEŻENIE:** Pasek naramienny jest także mechanizmem szybkiego odczepiania w niebezpiecznych sytuacjach. W sytuacji awaryjnej należy go natychmiast zdjąć z ramienia, niezależnie od sposobu założenia paska.

## TRZYMANIE TELESKOPOWEGO DRAŻKA ZASILAJĄCEGO

Teleskopowy drążek zasilający jest wyposażony w zaawansowany system podwójnego spustu (Rys. J). Każdy system spustowy jest w stanie niezależnie włączyć lub wyłączyć narzędzie. Tego typu innowacyjna metoda podwójnego sterowania narzędziem zapewnia maksymalną ergonomię podczas codziennej pracy. (Rys. K i L)

## WŁĄCZANIE/WYŁĄCZANIE TELESKOPOWEGO DRAŻKA ZASILAJĄCEGO

### Włączanie teleskopowego drążka zasilającego

Aby włączyć teleskopowy drążek zasilający, należy przestawić do przodu dźwignię odblokowującą i wcisnąć spust z regulacją prędkości. Im mocniej wciśnięty będzie spust z regulacją prędkości, tym wyższa będzie prędkość końcówki/głowicy.

### Wyłączanie

Wystarczy puścić spust prędkości i dźwignię odblokowującą.

## KONSERWACJA

**⚠ OSTRZEŻENIE:** Podczas serwisowania należy używać wyłącznie części zamiennych identycznych z oryginalnymi. Narzędzie należy regularnie kontrolować i konserwować. Aby zagwarantować bezpieczeństwo i niezawodność, wszystkie naprawy powinny być wykonywane przez wykwalifikowanych techników serwisu.

**⚠ OSTRZEŻENIE:** Przed kontrolą, czyszczeniem lub serwisowaniem urządzenia należy wyłączyć silnik, odczekać aż wszystkie poruszające części zatrzymają się i wyjąć akumulator. Niezastosowanie się do powyższych instrukcji może doprowadzić do poważnych obrażeń ciała lub do uszkodzenia mienia.

**⚠ UWAGA:** Przed każdym użyciem należy skontrolować cały produkt pod kątem uszkodzonych, brakujących lub obluźwionych części takich jak śruby, wkręty, nakrętki, nasadki itp. Wszystkie elementy połączeniowe i nasadki

należy mocno dokręcić. Nie używać produktu zanim wszystkie brakujące lub uszkodzone części nie zostaną wymienione. Prosimy skontaktować się z działem obsługi klienta lub wykwalifikowanym technikiem serwisu.

## KONSERWACJA OGÓLNA

Podczas czyszczenia części plastikowych należy unikać używania rozpuszczalników. Pod wpływem kontaktu z różnego rodzaju rozpuszczalnikami dostępnymi w handlu większość tworzyw może ulec uszkodzeniu. Do usuwania zabrudzeń, kurzu, oleju, smaru itp. należy używać czystych ściereczek.

## CZYSZCZENIE TELESKOPOWEGO DRAŻKA ZASILAJĄCEGO

1. Wyłączyć silnik i wyjąć akumulator.
2. Wilgotną ściereczką z delikatnym detergentem usunąć ziemię i zanieczyszczenia z teleskopowego drążka zasilającego.

**UWAGA:** Do czyszczenia części plastikowych lub uchwytów nie należy używać jakichkolwiek silnych detergentów. Elementy te mogą zostać uszkodzone przez niektóre olejki aromatyczne, takie jak olejek sosnowy i cytrynowy.

## PRZECHOWYWANIE TELESKOPOWEGO DRAŻKA ZASILAJĄCEGO

1. Przed schowaniem z teleskopowego drążka zasilającego należy wyjąć akumulator.
2. Oczyszczyć teleskopowy drążek zasilający z wszystkich zanieczyszczeń.
3. Wyrób przechowywać w miejscu niedostępnym dla dzieci.
4. Wyrób należy chronić przed żrącymi substancjami takimi jak chemia ogrodnicza i sól do usuwania lodu.

## Ochrona środowiska



Urządzeń elektrycznych, ładowarki do akumulatorów oraz akumulatorów/baterii akumulatorowych nie należy wyrzucać do zwykłych zmieszanych śmieci domowych!

## ROZWIĄZYWANIE PROBLEMÓW

Patrz instrukcja obsługi do odpowiednich końcówek.

## GWARANCJA

### POLITYKA GWARANCYJNA EGO

W celu zapoznania się z wszystkimi warunkami polityki gwarancyjnej EGO prosimy odwiedzić stronę [egopowerplus.com](http://egopowerplus.com).

## PŘEČTĚTE SI VŠECHNY POKYNY!



### PŘEČTĚTE SI NÁVOD K OBSLUZE

**⚠ Zbytkové riziko!** Lidé s elektronickými přístroji, jako jsou např. kardiostimulátory, by se měli před použitím toho výrobku poradit se svým lékařem. Použití elektrického zařízení v těsné blízkosti kardiostimulátoru může způsobit narušení činnosti nebo poruchu kardiostimulátoru.

**⚠ VAROVÁNÍ:** Z důvodu bezpečnosti by měl všechny opravy a výměny provádět kvalifikovaný servisní technik.

## SYMBOL IP

Účelem bezpečnostních symbolů je upoutat vaši pozornost k případným nebezpečím. Bezpečnostní symboly a jejich vysvětlení vyžadují vaši zvýšenou pozornost a porozumění. Výstražné symboly samy o sobě nevyklučují žádné nebezpečí. Pokyny a varování nejsou náhradou vhodných opatření pro prevenci úrazů.

**⚠ VAROVÁNÍ:** Před použitím tohoto nástroje si přečtěte a seznamte se se všemi bezpečnostními pokyny v tomto návodu k obsluze včetně veškerých výstražných symbolů jako např. „**NEBEZPEČÍ**“, „**VAROVÁNÍ**“ a „**UPOZORNĚNÍ**“. Nedodržení níže uvedených pokynů může mít za následek úraz elektrickým proudem, požár anebo vážná poranění osob.

## VÝZNAM SYMBOLŮ



**⚠ VAROVÁNÍ:** Při použití elektrického nářadí může dojít k vymrštění cizích těles do očí, což může způsobit jejich závažné poškození. Před použitím elektrického nářadí si vždy nasadte ochranné brýle, ochranné brýle s bočními kryty nebo v případě potřeby obličejový štít. Na brýle nebo standardní ochranné brýle s bočními kryty doporučujeme použít ochrannou masku.

## BEZPEČNOSTNÍ POKYNY

Na této stránce jsou zobrazeny a popsány bezpečnostní symboly, které se mohou objevit na výrobku. Před montáží a provozem si přečtěte, seznamte se a dodržujte veškeré pokyny ke stroji.

	Bezpečnostní upozornění	Upozorňuje na možné riziko úrazu.
	Přečtěte si návod k obsluze	Z důvodu snížení nebezpečí úrazu si musí uživatel před použitím tohoto výrobku přečíst návod k obsluze a porozumět mu.
	Použijte ochranu očí	Při práci s tímto výrobkem vždy noste ochranné brýle nebo bezpečnostní brýle s bočními ochrannými štíty nebo obličejový štít.
	CE	Tento výrobek je v souladu s platnými směrnice ES.
	WEEE	Odpadní elektrické výrobky se nesmí likvidovat s domovním odpadem. Odevzdejte je do autorizovaného recyklačního střediska.
	Nevystavujte dešti	Nepoužívejte v dešti ani nenechávejte venku na dešti.
IPX5	Symbol IP	Ochrana proti vniknutí vody stupeň 5
V	Volty	Napětí
mm	Milimetr	Délka nebo velikost
cm	Centimetr	Délka nebo velikost
kg	Kilogram	Hmotnost
	Stejnosemenný proud	Druh nebo vlastnosti proudu

**⚠ VAROVÁNÍ:** Přečtěte si všechny bezpečnostní pokyny označené symbolem a celý návod.

Všechna varování a pokyny uschovejte pro budoucí použití.

CZ

Termín „elektrické nářadí“ ve varováních odkazuje na vaše elektrické nářadí (s kabelem) nebo akumulátorové nářadí (bez kabelu).

## **⚠ Obecná bezpečnostní varování pro práci s elektrickým nářadím - bezpečnost pracovního prostoru.**

- Udržujte pracovní prostor v čistotě a dobře osvětlený. Nepořádek nebo neosvětlené pracovní oblasti bývají příčinou úrazů.
- Elektrické nástroje/přístroje neprovozujte ve výbušném prostředí, jako například s výskytem hořlavých kapalin, plynů nebo prachu. Elektrické nářadí je zdrojem jiskření, které může zapálit prach nebo výparu.
- Při práci s elektrickým nářadím udržujte děti a přihlížející osoby v bezpečné vzdálenosti. Neousouzenost může způsobit ztrátu kontroly.

## **⚠ Obecná bezpečnostní varování pro práci s elektrickým nářadím - elektrická bezpečnost.**

- Zástrčky elektrického nářadí musí odpovídat zásuvkám. Zástrčku nikdy nijak neupravujte. Nepoužívejte adaptér zástrčky s uzemněným (ukostřeným) elektrickým nářadím. Neupravené zástrčky a shodné zásuvky snižují riziko úrazu elektrickým proudem.
- Zabraňte kontaktu těla s uzemněnými povrchy, jako jsou potrubí, radiátory, sporáky a ledničky. Existuje zvýšené riziko úrazu elektrickým proudem, pokud je vaše tělo uzemněno.
- Nevystavujte elektrické nářadí dešti nebo vlhkému prostředí. Vniknutí vody do elektrického nářadí zvyšuje riziko úrazu elektrickým proudem.
- Nezatěžujte kabel. Nikdy nepoužívejte napájecí kabel k přenášení nářadí, tahání nebo vytahování zástrčky ze zásuvky. Udržujte kabel daleko od tepla, oleje, ostrých hran nebo pohyblivých částí. Poškozené nebo spletené kabely zvyšují riziko úrazu elektrickým proudem.
- Při práci s nářadím venku používejte prodlužovací kabel vhodný pro venkovní použití. Použití kabelu vhodného pro venkovní použití snižuje riziko úrazu elektrickým proudem.
- Pokud musíte s elektrickým nářadím pracovat ve vlhkém prostředí, použijte napájení chráněné zemním jističem. Použití přerušovače zemního obvodu (GFCI) snižuje riziko úrazu elektrickým proudem.

## **⚠ Obecná bezpečnostní varování pro práci s elektrickým nářadím - osobní bezpečnost.**

- Při práci s elektrickým nářadím buďte stále pozorní, sledujte, co děláte a používejte zdravý rozum. Nepoužívejte elektrické nářadí, jste-li unaveni nebo pod vlivem drog, alkoholu nebo léků. Chvilka nepozornosti při práci s nářadím může vést k vážnému zranění.
  - Používejte osobní ochranné pracovní prostředky. Vždy používejte ochranu očí. Ochranné pomůcky, jako např. respirátor, protiskluzová bezpečnostní obuv, pevná přilba nebo chrániče sluchu, používané ve vhodném prostředí snižují riziko úrazu.
  - Zabraňte náhodnému spuštění. Před připojením ke zdroji napětí a/nebo akumulátoru, zvedáním nebo přenášením nářadí se ujistěte, že spínač je ve vypnuté poloze. Přenášení elektrického nářadí s prstem na spínači nebo zapojování elektrického nářadí, které má zapnutý spínač, může snadno způsobit nehodu či úraz.
  - Před zapnutím elektrického nářadí odstraňte seřizovací klíče nebo klíče. Nástroj nebo klíč, který zůstane upevněn k otáčející se části elektrického nářadí, může způsobit osobní zranění.
  - Nepřeceňujte své síly. Vždy udržujte pevný postoj a rovnováhu. To umožní lepší ovládnutí elektrického nářadí v nečekaných situacích.
  - Používejte vhodný oděv. Nenoste volný oděv ani šperky. Udržujte své vlasy, oblečení a rukavice mimo dosah pohyblivých částí. Volný oděv, šperky nebo dlouhé vlasy se mohou zachytit do pohyblivých dílů.
  - Pokud je zařízení vybaveno adaptérem pro připojení odsávání prachu a sběrnými zařízeními, zajistěte jejich správné připojení a řádnou funkci. Použití zařízení k odsávání prachu může snížit rizika spojená s prachem.
  - Nedovolte, abyste se po získání zkušeností častým používáním nástrojů stali neobezpečenými a ignorovali zásady bezpečnosti. Nedbalá činnost může způsobit vážné zranění za zlomek sekundy.
- ## **⚠ Obecná bezpečnostní varování pro práci s elektrickým nářadím - používání a péče o elektrické nářadí.**
- Netlačte příliš na nářadí. Používejte správný typ nářadí pro vaše použití. Správné elektrické nářadí bude pracovat lépe a bezpečněji rychleji, pro kterou bylo navrženo.
  - Nepoužívejte elektrické nářadí v případě, že vypínač nefunguje. Jakékoliv elektrické nářadí, které nelze ovládat spínačem, je nebezpečné a musí být opraveno.

- Před prováděním úprav, výměnou příslušenství nebo uskladněním elektrického nářadí odpojte zástrčku od elektrické sítě anebo vyjměte akumulátor. Tato preventivní bezpečnostní opatření snižují riziko náhodného spuštění nářadí.
- Nepoužívané elektrické nářadí uchovávejte mimo dosah dětí a nechte s elektrickým nářadím pracovat osoby, které se neseznámily s elektrickým nářadím nebo těmito pokyny. Elektrické nářadí je v rukou nekvalifikované obsluhy nebezpečné.
- Údržba elektrického nářadí. Zkontrolujte vychylení či zaseknutí pohyblivých částí, poškození jednotlivých dílů a jiné okolnosti, které mohou ovlivnit chod nářadí. Je-li nářadí poškozeno, nechejte ho před použitím opravit. Mnoho nehod je způsobeno nedostatečnou údržbou nářadí.
- Udržujte řezné nástroje ostré a čisté. Řádně udržované řezné nástroje s ostrými řeznými hranami nemají tendenci se ohýbat a lépe se ovládají.
- Používejte elektrické nářadí, příslušenství a nástrojové bity atd. v souladu s těmito pokyny s přihlédnutím k pracovním podmínkám a práci, která má být provedena. Použití elektrického nástroje na činnosti jiné, než je určující použití, může vést k nebezpečným situacím.
- Udržujte rukojeti a uchopovací plochy suché, čisté, bez oleje a maziva. Kluzké rukojeti a plochy pro uchopení neumožňují bezpečnou manipulaci s nářadím a jeho ovládání v nečekaných situacích.
- 56voltovou teleskopickou pohonnou tyč PPX1000 lze použít pouze s níže uvedenými nástavci EGO nebo s nástavci, které společnost EGO uvede na trh později pro použití s touto teleskopickou pohonnou tyčí:

TYP NÁSTAVCE	ČÍSLO MODELU
Nástavec pro plotové nůžky	PTX5100
Nástavec tyčové pily	PSX2500

### ⚠ Obecná bezpečnostní varování pro práci s elektrickým nářadím - používání a péče o nářadí s akumulátorem.

- K nabíjení používejte pouze nabíječku doporučenou výrobcem. Nabíječka vhodná pro jeden typ akumulátoru může způsobit riziko požáru při použití s jiným akumulátorem.
- Používejte elektrické nářadí pouze se specifikovanými akumulátory. Použití jiných akumulátorů může způsobit riziko úrazu a požáru.
- Pokud akumulátor nepoužíváte, držte jej z dosahu kovových předmětů, jako jsou kancelářské sponky na papír, mince, klíče, hřebíky, šroubky nebo další

drobné kovové předměty, které mohou spojit vývody baterie navzájem. Zkratování kontaktů baterie může způsobit spálení nebo požár.

- V nevhodných podmínkách může z baterie unikat kapalina. Zabraňte kontaktu. Při náhodném kontaktu opláchněte zasažené místo vodou. Při zasažení očí kapalinou vyhledejte lékařskou pomoc. Unikající kapalina z akumulátoru může způsobit podráždění pokožky nebo popálení.
- Nepoužívejte akumulátor nebo nástroj, který je poškozen nebo upraven. Poškozené nebo upravené baterie mohou mít nepředvídatelné chování, které může vést k požáru, výbuchu nebo nebezpečí zranění.
- Nevystavujte akumulátor ani nářadí ohni nebo příliš vysoké teplotě. Při vystavení ohni nebo teplotě nad 130 °C může dojít k výbuchu.
- Dodržujte všechny pokyny pro nabíjení a nenabíjejte baterii nebo nářadí mimo rozsah teplot uvedených v pokynech. Nesprávné nabíjení nebo nabíjení při teplotách mimo stanovený rozsah může poškodit akumulátor a zvýšit riziko požáru.

### ⚠ Obecná bezpečnostní varování pro práci s elektrickým nářadím - servis.

- Svěřte opravu vašeho elektrického nářadí kvalifikované osobě používající pouze shodné náhradní díly. Tím zajistíte bezpečnost elektrického nářadí.
- Nikdy neopravujte poškozené akumulátory. Servis akumulátorů může provádět pouze výrobce nebo autorizovaní poskytovatelé služeb.
- Pokud nastane situace, která není popsána v tomto návodu, použijte pečlivý a zdravý úsudek. O pomoc kontaktujte servisní středisko společnosti EGO.

### USCHOVEJTE SI TYTO POKYNY

### DALŠÍ SPECIFICKÉ BEZPEČNOSTNÍ PRAVIDLA LZE NALÉZT V PŘÍRUČCE PŘÍSLUŠNÉHO NÁSTAVCE

### TECHNICKÉ ÚDAJE

Napětí	56 V $\overline{\text{---}}$
Doporučená provozní teplota:	0–40 °C
Doporučená skladovací teplota	-20 °C – 70 °C
Hmotnost	3,9 kg

## POPIS

### SEZNAMTE SE S TELESKOPICKOU POHONNOU TYČÍ (obr. A)

1. Zadní rukojeť
2. Zajišťovací jazýček
3. Přenosné oko
4. Přední rukojeť
5. Upevňovací knoflík
6. Tlačítko pro uvolnění hřídele
7. Zajišťovací otočný knoflík
8. Spojka
9. Teleskopická trubice
10. Spoušť s proměnnou rychlostí
11. Podpěra nářadí
12. Ramenní popruh
13. Vysunovací mechanismus
14. Západka
15. Tlačítko pro uvolnění akumulátoru
16. Držák na klíč
17. Kombinovaný klíč

CZ

## OBSAH BALENÍ (OBR. A)

### MONTÁŽ

**VAROVÁNÍ:** Pokud jsou některé díly poškozené, nebo chybí, nepoužívejte výrobek, dokud se díly nevymění. Použití tohoto výrobku s poškozenými nebo chybějícími díly může vést k vážnému úrazu.

**VAROVÁNÍ:** Pokud provádíte montáž dílů, úpravy, čištění nebo výrobek dlouhodobě nepoužíváte, vždy vyjměte akumulátor.

### PŘIPOJENÍ NÁSTAVCE K TELESKOPICKÉ POHONNÉ TYČI

**VAROVÁNÍ:** Přečtěte si a pochopte celou příručku pro každý volitelný nástavec použitý s touto teleskopickou pohonnou tyčí a dodržujte veškerá varování a pokyny. Nedodržení pokynů může mít za následek úraz elektrickým proudem, požár anebo vážná poranění osob.

**VAROVÁNÍ:** Tato 56 V teleskopická pohonná tyč PPX1000 je navržena pro používání pouze s nástavcovými modely EGO, které jsou uvedeny v příručce

nebo následně zavedeny společností EGO pro použití s touto teleskopickou pohonnou tyčí. Použití jiných, neautorizovaných nástavců může způsobit vážné zranění osob nebo poškození majetku.

**VAROVÁNÍ:** Nikdy neinstalujte, neodstraňujte, nebo neupravujte nástavec, když teleskopická pohonná tyč běží nebo s nainstalovanou baterií. Pokud nezastavíte motor a vyjmete baterii, může dojít k vážnému zranění.

Nástavec se připojí k teleskopické pohonné tyči pomocí spojovacího zařízení.

1. Vypněte motor a vyjměte akumulátor.
2. Uvolněte zajišťovací otočný knoflík.
3. Srovnejte šipku na nástavcové hřídeli s ukazatelem zarovnání na spoje a zatlačte nástavcovou hřídel do spojky, dokud neuslyšíte jasně „cvaknutí“. Spojka by měla být vyrovnaná s referenční čárou na hřídeli, což znamená, že nástavcová hřídel je řádně ukotvena na svém místě. (Obr. B)

B-1	Tlačítko pro uvolnění hřídele	B-4	referenční čárka
B-2	Ukazatel zarovnání	B-5	Zajišťovací otočný knoflík
B-3	Šipka		

4. Vytáhněte hřídel nástavce pro ověření jejího bezpečného zajištění ve spoje. Pokud tomu tak není, zatlačte nástavcovou hřídel do spojky, dokud nezapadne na své místo.
5. Dobře utáhněte zajišťovací otočný knoflík.

**VAROVÁNÍ:** Před uvedením zařízení do provozu se ujistěte, že zajišťovací otočný knoflík je pevně utažen; během používání pravidelně kontrolujte jeho dotažení, aby nedošlo k vážnému zranění.

### SEJMUTÍ NÁSTAVCE Z TELESKOPICKÉ POHONNÉ TYČI

1. Vypněte motor a vyjměte akumulátor.
2. Uvolněte zajišťovací otočný knoflík.
3. Stiskněte tlačítko pro uvolnění hřídele, se stisknutým tlačítkem vytáhněte nástavec ven ze spojky.

### PŘIPEVNĚNÍ RAMENNÍHO POPRUHU (obr. C)

Stačte háček popruhu pro otevření a připojte ho na přenosné oko.

## NATAŽENÍ TELESKOPICKÉ TRUBICE

Nářadí je vybaveno teleskopickou trubicí, kterou lze natahnout až do délky 960 mm (maximální délka).

K držení teleskopické trubice v jakékoli prodloužené délce se používá upevňovací knoflík.

1. Chcete-li natahnout teleskopickou trubicí, uvolněte upevňovací knoflík pomocí příslušné ikony. Teleskopická trubice se volně vysune (obr. D).

D-1	Upevňovací knoflík	D-2	Indikace maximální délky
-----	--------------------	-----	--------------------------

2. Vytáhněte teleskopickou trubicí do požadované délky.
3. K zajištění teleskopické trubice utáhněte upevňovací knoflík do polohy dle příslušné ikony.

**VAROVÁNÍ:** V případě sevření ruky nebo prstů dávejte pozor na každý krok.

## OBSLUHA

**VAROVÁNÍ:** Dbejte na to, abyste po seznámení s výrobkem nepřestali být opatrní. Nezapomínejte, že stačí chvíle nepozornosti a může se stát vážný úraz.

**VAROVÁNÍ:** Vždy používejte ochranu očí. Pokud tak neučiníte, může dojít k vymrštění předmětu do očí nebo případně jiným vážným úrazům.

**VAROVÁNÍ:** Nepoužívejte nástavce nebo příslušenství, které nedoporučuje výrobce tohoto výrobku. Použití nedoporučených nástavců a příslušenství může vést k vážnému úrazu.

## INSTALACE/VYJMUTÍ AKUMULÁTORU

**POZNÁMKA:** Před prvním použitím akumulátor plně nabijte.

### Instalace

Srovnejte žebrování akumulátoru s instalačními drážkami a zatlačte na akumulátor, dokud neuslyšíte „cvaknutí“ (obr. E).

E-1	Instalační drážka	E-2	Výstupek
-----	-------------------	-----	----------

### Vyjmutí

Stiskněte tlačítko pro uvolnění akumulátoru a vytáhněte jej (Obr. F).

**VAROVÁNÍ:** Aby nedošlo k vážnému zranění, vždy vyjměte akumulátor a nedržte ruce na zajišťovacím jazýčku

a spouštěči při přenášení nebo přepravě nástroje.

## RAMENNÍ POPRUH

Pro bezpečnou a snadnější obsluhu si nasadte ramenní popruh, jak je uvedeno na obr. G, čímž snížíte zátěž pro paži během obsluhy. Upravte ramenní popruh do pohodlné pracovní polohy.

Existují dva způsoby, jak uvolnit popruh. Sundějte ho ze svého ramene přímo (obr. h) nebo stiskněte háček popruhu a sundějte ho z přenosného oka upevňovacího na hřídeli (obr. I).

**VAROVÁNÍ:** Ramenní popruh je vybaven rychlounvolňovacím mechanismem pro nebezpečné situace. Dojde-li k nouzové situaci, okamžitě si odepněte popruh z ramene bez ohledu na to, jakým způsobem je popruh připnutý.

## DRŽENÍ TELESKOPICKÉ POHONNÉ TYČE

Teleskopická tyč je vybavena pokročilým duálním spouštěcím systémem (obr. J). Každý spouštěcí systém může nezávisle nářadí zapnout a vypnout. Tato inovativní metoda duálního ovládání maximálně usnadňuje každodenní náročnou práci. (Obr. K & L).

## SPUŠTĚNÍ / VYPNUTÍ TELESKOPICKÉ POHONNÉ TYČE

### Spuštění teleskopické pohonné tyče

Posuňte zajišťovací jazýček vpřed a stisknutím spouště s proměnnou rychlostí teleskopickou pohonnou tyč spustíte. Čím více zatlačíte na spoušť s proměnnou rychlostí, tím vyšší rychlostí bude pracovat hlava nástavce.

### Zastavení

Uvolněte spoušť s proměnnou rychlostí a zajišťovací jazýček.

## ÚDRŽBA

**VAROVÁNÍ:** Při opravách používejte pouze originální náhradní díly. Pravidelně stroj kontrolujte a udržujte. Z důvodu bezpečnosti by měl všechny opravy provádět kvalifikovaný servisní technik.

**VAROVÁNÍ:** Před kontrolou, čištěním nebo údržbou přístroje zastavte motor, počkejte, až se všechny pohyblivé díly zastaví a vyjměte baterii. Nedodržení těchto instrukcí může vést k vážnému zranění nebo poškození majetku.

**⚠ POZNÁMKA:** Před každým použitím zkontrolujte celý výrobek, zda není poškozen, nechybí nebo nejsou uvolněné žádné díly, jako např. vruty, matice, šrouby, uzávěry atd. Pevně utáhněte všechny upevňovací prvky a uzávěry a výrobek nepoužívejte, dokud se nevymění všechny chybějící nebo poškozené díly. Obratě se na zákaznické služby nebo kvalifikovaného servisního technika.

## CELKOVÁ ÚDRŽBA

K čištění plastových dílů nepoužívejte rozpouštědla. Většina plastů je náchylná k poškození různými typy komerčních rozpouštědel a jejich použití je může poškodit. K odstranění nečistot, prachu, oleje, maziva atd. použijte čistý hadr.

## ČIŠTĚNÍ TELESKOPICKÉ POHONNÉ TYČE

1. Vypněte motor a vyjměte akumulátor.
2. Vyčistěte špínu a nečistoty z teleskopické pohonné tyče vlhkým hadříkem s jemným čisticím prostředkem.

**POZNÁMKA:** Na plastový kryt nebo rukojeť nepoužívejte žádné silné čisticí prostředky. Mohou být poškozeny některými aromatickými oleji, jako např. borovicovým nebo citronovým.

CZ

## ULOŽENÍ TELESKOPICKÉ POHONNÉ TYČE

1. Před uložením vyjměte akumulátor z teleskopické pohonné tyče.
2. Vyčistěte všechny nečistoty z teleskopické pohonné tyče.
3. Skladujte na místě, které je mimo dosah dětí.
4. Uchovávejte v bezpečné vzdálenosti od korozivních látek, jako jsou chemické látky a rozmrazovací soli.

## Ochrana životního prostředí



Elektrické zařízení, nabíječku a baterie/ nabíjecí baterie nevhazujte do domovního odpadu!

## ODSTRAŇOVÁNÍ ZÁVAD

Viz příslušný návod nástavce.

## ZÁRUKA

ZÁRUKA SPOLEČNOSTI EGO

Úplné záruční podmínky společnosti EGO naleznete na webové stránce [egopowerplus.com](http://egopowerplus.com).



## PREČÍTAJTE SI VŠETKY POKYNY!



PREČÍTAJTE SI NÁVOD NA OBSLUHU

**⚠ Zvyškové riziko!** Ľudia s elektronickými zariadeniami, napríklad kardiostimulátorom, musia používanie tohto výrobku konzultovať so svojím lekárom. Použitie elektrických zariadení v tesnej blízkosti kardiostimulátora by mohlo spôsobiť rušenie alebo zlyhanie kardiostimulátora.

**⚠ VAROVANIE:** Pre zaistenie bezpečnosti a spoľahlivosti je nevyhnutné, aby všetky opravy a výmeny vykonával len kvalifikovaný servisný technik.

## BEZPEČNOSTNÝ SYMBOL

Účelom bezpečnostných symbolov je upozorniť na možné nebezpečenstvá. Venujte príslušnú pozornosť a pochopte bezpečnostné symboly a ich vysvetlenia. Varovné symboly, samy o sebe, nedokážu eliminovať nebezpečenstvo. Pokyny a varovania, ktoré obsahujú, nie sú náhradou za vhodné opatrenia na prevenciu úrazov.

**⚠ VAROVANIE:** Pred použitím tohto nástroja si prečítajte a pochopte všetky bezpečnostné pokyny v tomto návode na obsluhu, vrátane všetkých bezpečnostných výstražných symbolov, ako sú „**NEBEZPEČENSTVO**“, „**VAROVANIE**“ a „**UPOZORNENIE**“. Nedodržanie nižšie uvedených pokynov môže mať za následok úraz elektrickým prúdom, požiar a/alebo vážne zranenie.

## VÝZNAM SYMBOLU



**⚠ VAROVANIE:** Prevádzka akéhokoľvek elektrického náradia môže viesť k vymršteniu cudzích predmetov do vašich očí, čo môže spôsobiť vážne poškodenie zraku. Predtým, než začnete používať elektrické náradie, si vždy nasadzte ochranné okuliare alebo ochranné okuliare s postrannými krytmi a prípadne celotvárový štít. Odporúčame použiť bezpečnostnú masku so širokým prierezom na okuliare alebo štandardné bezpečnostné okuliare s postrannými krytmi.

## BEZPEČNOSTNÉ POKYNY

Táto strana zobrazuje a popisuje bezpečnostné symboly, ktoré sa objavujú na tomto výrobku. Pred pokusom o zostavenie a prevádzkovanie si prečítajte, pochopte a dodržiavajte všetky pokyny na stroji.

	Bezpečnostné upozornenie	Upozorňuje na potenciálne nebezpečenstvo úrazu.
	Prečítajte si návod na obsluhu	Ak chcete znížiť riziko zranenia, používateľ musí pred použitím tohto výrobku prečítať a pochopiť návod na obsluhu.
	Používajte ochranu zraku.	Pri práci s týmto výrobkom vždy noste ochranné okuliare alebo ochranné okuliare s postrannými krytmi a celotvárový štít.
	CE	Tento výrobok je v súlade s platnými smernicami ES.
	WEEE	Odpadové elektrické výrobky sa nesmú likvidovať spolu s domovým odpadom. Odovzdajte do autorizovaného recyklačného strediska.
	Nezvyšujte teplotu	Nepoužívajte ani nenechávajte vonku na daždi.
IPX5	Symbol IP	Ochrana proti vniknutiu vody 5. stupňa
V	Volt	Napätie
mm	Milimeter	Dĺžka alebo veľkosť
cm	Centimeter	Dĺžka alebo veľkosť
kg	Kilogram	Hmotnosť
	Jednosmerný prúd	Typ alebo charakteristika prúdu

**⚠ VAROVANIE:** Prečítajte si všetky bezpečnostné varovania označené symbolom a všetky pokyny.

Všetky varovania a pokyny si ponechajte pre prípadnú potrebu v budúcnosti.

Termín „elektrické náradie“ vo varovaniach znamená váš elektrický prístroj zapojený (cez kábel) do prívodu elektrickej energie alebo napájaný (bezdrôtovo) z batérie.

**⚠ Všeobecné bezpečnostné varovania pre elektrické náradie - Bezpečnosť pracovného priestoru.**

SK

- Udržujte pracovisko čisté a dobre osvetlené. Neporiadok alebo tmavé miesta spôsobujú nehody.
  - Nepoužívajte elektrické náradie v prostredí s výbušnou atmosférou, napríklad v prítomnosti horľavých kvapalín, benzínu alebo prachu. Elektrické náradie je zdrojom iskrenia, ktoré môže zapáliť prach alebo výpary.
  - Pri používaní elektrického náradia udržiavajte deti a okolostojace osoby mimo pracoviska. Rozptyľovanie pozornosti môže viesť ku strate kontroly.
- ⚠ Všeobecné bezpečnostné varovania pre elektrické náradie - Elektrická bezpečnosť.**
- Zástrčka elektrického náradia musí zodpovedať elektrickej zásuvke. Nikdy a žiadnym spôsobom nemodifikujte zástrčku. Nepoužívajte adaptér na zástrčku s uzemnenými elektrickými zariadeniami. Neupravené zástrčky a vhodné zásuvky obmedzia nebezpečenstvo úrazu elektrickým prúdom.
  - Zabráňte kontaktu tela s uzemnenými povrchmi, ako sú rúry, radiátory, sporáky a chladničky. Dochádza k zvýšeniu rizika úrazu elektrickým prúdom, ak je vaše telo uzemnené.
  - Chráňte elektrické náradie pred dažďom a vlhkým prostredím. Vniknutie vody do elektrického náradia zvyšuje riziko úrazu elektrickým prúdom.
  - Nepoužívajte kábel nesprávnym spôsobom. Nepoužívajte ho na prenášanie, ťahanie alebo odopájanie elektrického náradia. Udržujte kábel v dostatočnej vzdialenosti od zdrojov tepla, oleja, ostrých hrán alebo pohyblivých častí. Poškodená alebo zamotaná šnúra zvyšuje riziko zasiahnutia elektrickým prúdom.
  - Ak sa chystáte náradie použiť v exteriéroch, použite výhradne predlžovaciu šnúru vhodnú na použitie v exteriéroch. Použitie šnúry vhodnej pre použitie v exteriéroch znižuje riziko úrazu elektrickým prúdom.
  - Ak je používanie elektrického náradia vo vlhkom prostredí nevyhnutné, použite napájanie chránené uzemneným prúdovým chráničom. Použitie uzemneného prúdového chrániča znižuje riziko úrazu elektrickým prúdom.
- ⚠ Všeobecné bezpečnostné varovania pre elektrické náradie - Bezpečnosť osôb.**
- Buďte pozorní, sledujte to, čo robíte a používajte zdravý rozum pri práci s elektrickým náradím. Nepoužívajte elektrické náradie, ak ste unavení alebo pod vplyvom drog, alkoholu alebo liekov. Chvilková nepozornosť pri práci s elektrickým náradím môže mať za následok vážne zranenie.
  - Používajte osobné ochranné pomôcky. Vždy používajte ochranu očí. Ochranné prostriedky ako respirátor, protišmyková bezpečnostná obuv, prilba alebo chrániče sluchu použité za vhodných podmienok znižujú nebezpečenstvo zranenia.
  - Zabráňte neúmyselnému uvedeniu stroja do prevádzky. Pred pripojením k zdroju napájania a/alebo akumulátoru, pri zdvíhaní alebo prenášaní nástroja sa uistite, že prepínač je vo vypnutej polohe. Prenášanie elektrického náradia s prstom na vypínači alebo aktivácia elektrického náradia, ktoré má zapnutý vypínač, môže viesť k úrazu.
  - Pred spustením náradia vždy odstráňte nastavovací klin alebo kľúč. Kľúč alebo klin, ktorý necháte pripevnený k otáčajúcej sa časti elektrického náradia, môže spôsobiť zranenie osôb.
  - Neprečenejte sa. Pri práci vždy dodržujte správny postoj a rovnováhu. To umožňuje lepšiu ovládateľnosť náradia v nečakaných situáciách.
  - Noste vhodné oblečenie. Nenoste šperky alebo voľný odev. Udržujte vlasy, oblečenie a rukavice v dostatočnej vzdialenosti od pohybujúcich sa dielov. Voľný odev, šperky alebo dlhé vlasy môžu byť zachytené pohybujúcimi sa dielmi.
  - Pokiaľ je náradie vybavené zariadením na zachytávanie prachu a úlomkov materiálu, skontrolujte, či je k náradiu správne pripevnené. Použitie odsávania prachu môže znížiť nebezpečenstvo, ktoré súvisí s prachom.
  - Nedovoľte, aby ste sa po získaní skúseností častým používaním nástrojov stali neobozretnými a ignorovali zásady bezpečnosti. Nedbalá činnosť môže spôsobiť vážne zranenie za zlomok sekundy.
- ⚠ Dodatočné všeobecné bezpečnostné pokyny pre elektrické náradie - Použitie elektrického náradia a starostlivosť.**
- Stroj nepreťažujte. Používajte správny typ náradia určený na danú prácu. Náradie bude pracovať lepšie a bezpečnejšie pri rýchlosti, na ktorú bolo navrhnuté.
  - Nepoužívajte elektrické náradie, ak sa nedá zapnúť a vypnúť použitím vypínača. Akékoľvek elektrické náradie, ktoré sa nedá ovládať vypínačom je nebezpečné a musí sa opraviť.
  - Pred akýmkoľvek nastavením, výmenou príslušenstva alebo pred uložením elektrického náradia odpojte zástrčku od zdroja a/alebo akumulátora. Takéto preventívne bezpečnostné opatrenia znižujú riziko náhodného spustenia elektrického náradia.

- Uchovávajte nepoužívané elektronáradie mimo dosahu detí a nedovoľte, aby osoby neoboznámene s elektrickým náradím alebo s týmito pokynmi náradie používali. Elektrické náradie je nebezpečné v rukách neskúsených používateľov.
- Starajte sa o elektrické náradie. Skontrolujte nastavenie pohyblivých častí, poškodenie dielov a akékoľvek ďalšie okolnosti, ktoré môžu mať vplyv na funkciu elektrického náradia. Ak je elektrické náradie poškodené, nechajte ho pred použitím opraviť. Veľa úrazov je zapríčinených zle udržiavaným náradím.
- Rezacie nástroje udržiavajte ostré a čisté. Starostlivo ošetrované rezné nástroje s ostrými čepeľami menej pravdepodobne uviaznu a jednoduchšie sa ovládajú.
- Používajte elektronáradie, príslušenstvo, násady apod. podľa týchto pokynov a rešpektujte pritom pracovné podmienky a vykonávanú činnosť. Použitie elektrického náradia na iné ako určené účely môže viesť k nebezpečným situáciám.
- Udržujte rukoväte a uchopovacie plochy suché, čisté, bez oleja a maziva. Klzké držadlá a uchopovacie plochy neumožňujú bezpečnú manipuláciu s nástrojom a jeho ovládanie v nečakaných situáciách.
- Táto 56 V teleskopická pohonná tyč PPX1000 sa môže používať iba s nasledujúcimi nástavcami EGO alebo s následne uvedenými nástavcami EGO na použitie s touto teleskopickou pohonnou tyčou:

TYP NÁSTAVCA	ČÍSLO MODELU
Nástavec pre nožnice na živý plot	PTX5100
Nástavec tyčovej pily	PSX2500

### Všeobecné bezpečnostné varovania pre elektrické náradie - Používanie a starostlivosť o akumulátor.

- Nabíjajte len pomocou nabíjačky špecifikovanej výrobcom. Nabíjačka, ktorá je vhodná pre jeden typ akumulátorovej batérie, môže predstavovať pri nabíjaní iného typu akumulátorovej batérie nebezpečenstvo.
- Používajte elektrické náradie iba s výslovné určenými akumulátormi. Použitie iných typov akumulátorov môže spôsobiť riziko úrazu a požiaru.
- Pokiaľ akumulátor nepoužívate, držte ho mimo dosahu kovových predmetov, ako sú kancelárske sponky na papier, mince, kľúče, klince, skrutky alebo ďalšie drobné kovové predmety, ktoré môžu spôsobiť vzájomné skratovanie kontaktov. Skratovanie kontaktov akumulátora môže spôsobiť popálenie alebo požiar.

- Za nevhodných podmienok môže z akumulátora unikáť kvapalina. Zabráňte kontaktu. Pri náhodnom kontakte opláchnite vodou. Pri zasiahnutí očí vyhľadajte lekársku pomoc. Unikajúca kvapalina z akumulátora môže spôsobiť podráždenie pokožky alebo popálenie.
- Nepoužívajte akumulátor alebo nástroj, ktorý je poškodený alebo upravený. Poškodené alebo upravené akumulátory môžu mať nepredvídateľné chovanie, ktoré môže viesť k požiaru, výbuchu alebo nebezpečenstvu poranenia.
- Nevystavujte akumulátor ani nástroj ohňu alebo nadmernej teplote. Pri vystavení ohňu alebo teplote nad 130 ° C môže dôjsť k výbuchu.
- Dodržujte všetky pokyny pre nabíjanie a nenabíjajte akumulátor alebo nástroj mimo rozsah teplôt uvedených v pokynoch. Nesprávne nabíjanie alebo nabíjanie pri teplotách mimo stanovený rozsah môže poškodiť akumulátor a zvýšiť riziko požiaru.

### Všeobecné bezpečnostné varovania pre elektrické náradie - Servis.

- Náradie zverte do opravy kvalifikovanej osobe, ktorá použije iba originálne náhradné diely. Zabezpečte tak zachovanie bezpečnosti elektrického náradia.
- Nikdy neopravujte poškodené akumulátory. Servis akumulátorov smie robiť iba výrobca alebo autorizovaní servisní poskytovatelia.
- Ak sa vyskytnú situácie, ktoré nie sú zahrnuté v tomto návode, dávajte pozor a použite zdravý úsudok. Obráťte sa na servisné stredisko EGO pre pomoc.

### ODLOŽTE SI TIETO POKYNY

### ĎALŠIE ŠPECIFICKÉ BEZPEČNOSTNÉ PRAVIDLÁ MÔŽETE NÁJSŤ V PRÍRUČKE PRÍSLUŠNÉHO NÁSTAVCA

### TECHNICKÉ ÚDAJE

Napätie	56 V ---
Odporúčaná prevádzková teplota:	0 ° C - 40 ° C
Odporúčaná skladovacia teplota	- 20 ° C ~ 70 ° C
Hmotnosť	3,9 kg

### POPIS

Zoznámte sa s vašou teleskopickou pohonnou tyčou (obr. A)

1. Zadná rukoväť

2. Uzamykací jazyček
3. Prenášacie očko
4. Predná rukoväť
5. Upínací gombík
6. Tlačidlo na uvoľnenie hriadeľa
7. Blokovací gombík
8. Spojka
9. Teleskopická tyč
10. Páčka nastavenia premenlivej rýchlosti
11. Podpora nástroja
12. Ramenný popruh
13. Vyhadzovací mechanizmus
14. Západka
15. Tlačidlo na uvoľnenie akumulátora
16. Držiak na kľúč
17. Kombinovaný kľúč

## OBSAH BALENIA (OBR. A)

### MONTÁŽ

**VAROVANIE:** Ak akýkoľvek diel chýba, alebo je poškodený, nepoužívajte tento výrobok, kým nie sú vymenené diely. Ak používate tento výrobok s poškodenými alebo chýbajúcimi časťami, môže dôjsť k vážnemu zraneniu.

SK

**VAROVANIE:** Vždy vyberte batériu z prístroja pri montáži dielov, vykonávaní úprav, čistení, alebo keď sa nepoužíva.

### PRIPOJENIE/ODPOJENIE NÁSTAVCA NA TELESKOPICKÚ POHONNÚ TYČ

**VAROVANIE:** Prečítajte si a pochopte celú príručku pre každý voľiteľný nástavec použitý s touto teleskopickou pohonnou tyčou a dodržujte všetky varovania a pokyny. Nedodržanie všetkých uvedených pokynov môže mať za následok úraz elektrickým prúdom, požiar a/alebo vážne zranenie.

**VAROVANIE:** Táto 56 V teleskopická pohonná tyč PPX1000 je navrhnutá pre používanie len s nástavcovými modelmi EGO, ktoré sú uvedené v príručke alebo následne zavedené spoločnosťou EGO na použitie s touto teleskopickou pohonnou hlavou. Použitie iných, neautorizovaných nástavcov môže spôsobiť vážne zranenie osôb alebo poškodenie majetku.

**VAROVANIE:** Nikdy neinštalujte, neodstraňujte, alebo neupravujte nástavec, keď teleskopická pohonná tyč beží alebo s nainštalovaným akumulátorom. Neschopnosť

zastaviť motor a vybrať akumulátor môže spôsobiť vážne zranenie.

Nástavec sa pripojí na teleskopickú pohonnú tyč pomocou spojovacieho zariadenia.

1. Zastavte motor a vyberte akumulátor.
2. Uvoľnite blokovací gombík.
3. Zarovnajete šípku na hriadeľ nástavca so značkou zarovnania na spojke a zatlačte hriadeľ nástavca do spojky, až kým nebudete počuť zreteľný zvuk „kliknutia“. Spojka by mala byť zasunutá úplne po referenčnú čiaru na hriadeľ nástavca pre jeho správne namontovanie na miesto. (obr. B)

B-1	Tlačidlo na uvoľnenie hriadeľa	B-4	Referenčná čiara
B-2	Značka zarovnania	B-5	Blokovací gombík
B-3	Značka šípky		

4. Povythnite hriadeľ nástavca na overenie jeho bezpečného zaistenia do spojky. Ak tomu tak nie je, pootočte hriadeľ nástavca zo strany na stranu v spojke, pokiaľ nezapadne na svoje miesto.
5. Dobre utiahnete blokovací gombík.

**VAROVANIE:** Pred uvedením zariadenia do prevádzky sa uistite, že blokovací gombík je pevne dotiahnutý; počas používania pravidelne kontrolujte jeho dotiahnutie, aby nedošlo k vážnemu zraneniu.

### ODPOJENIE NÁSTAVCA Z TELESKOPICKEJ POHONNEJ TYČE

1. Zastavte motor a vyberte akumulátor.
2. Uvoľnite blokovací gombík.
3. Stlačte tlačidlo pre uvoľnenie hriadeľa, so stlačením tlačidlom vythnite nástavec von zo spojky.

### PRÍPEVNENIE RAMENNÉHO POPRUHU (obr. C)

Stlačte háčik popruhu, aby ste ho otvorili, a pripojte ho na prenášacie očko ramenného popruhu.

### PREDĽŽENIE TELESKOPICKEJ TYČE

Náradie je vybavené teleskopickou tyčou, ktorá sa môže predĺžiť na 960 mm (úplne vysunutá).

Upínací gombík slúži na udržanie teleskopickej trubice v polohe na ľubovoľnej predĺženej dĺžke.

1. Ak chcete vysunúť teleskopickú tyč, uvoľnite upínací gombík podľa jeho ikony odomknutia. Teleskopická tyč sa bude voľne kĺzať (obr. D)

D-1	Upínací gombík	D-2	Označenie maximálnej hranice
-----	----------------	-----	------------------------------

2. Vytiahnite teleskopickú tyč na požadovanú dĺžku vysunutia.
3. Ak chcete zaistiť teleskopickú tyč, utiahnite upínací gombík podľa jeho ikony zamknutia.

**VAROVANIE:** Dávajte pozor na každý krok, aby nedošlo k zovretiu ruky alebo prstov.

## OBSLUHA

**VAROVANIE:** Nedovoľte, aby dlhodobá skúsenosť práce s týmto výrobkom spôsobila vašu neopatrnosť. Pamätajte na to, že aj chvíľková neopatrnosť stačí na to, aby spôsobila vážny úraz.

**VAROVANIE:** Vždy používajte ochranu očí. Ak tak neurobíte, môže dôjsť k vymršteniu predmetov do očí a k ďalším možným vážnym zraneniam.

**VAROVANIE:** Nepoužívajte žiadne doplnky alebo príslušenstvo, ak ho neodporúča výrobca uvedeného výrobku. Používanie nástavcov alebo príslušenstva, ktoré nie je odporúčané, môže viesť k vážnemu zraneniu osôb.

## INŠTALÁCIA/VYBRATIE AKUMULÁTORA

**POZNÁMKA:** Pred prvým použitím akumulátor úplne nabite.

### Inštalácia

Zarovnajte rebrovanie akumulátora s montážnymi drážkami a zatlačte akumulátor nadol, kým nezačujete „cvaknutie“ (obr. E).

E-1	Montážny otvor	E-2	Výstupok
-----	----------------	-----	----------

### Odstránenie

Stlačte tlačidlo pre uvoľnenie akumulátora a vytiahnite ho von (obr. F).

**VAROVANIE:** Aby nedošlo k vážnemu zraneniu, vždy vyberte akumulátor a nedržte ruky na uzamykacom jazýčku a vypínači pri prenášaní alebo preprave nástroja.

## RAMENNÝ POPRUH

Na bezpečné a lepšie fungovanie si preložte ramenný popruh cez rameno, ako znázorňuje obr. G pre rozloženie záťaže na ramená obsluhy. Upravte

ramenný popruh do pohodlnej pracovnej polohy.

Existujú dva spôsoby, ako uvoľniť popruh: Priamo ho zložte zo svojho ramena (obr. H), alebo stlačte háčik popruhu a vyberte ho z prenášacieho očka pripevneného na hriadeľ (obr. I).

**VAROVANIE:** Ramenný popruh má takisto rýchlovypínací mechanizmus pre nebezpečné situácie. Ak dôjde k núdzovej situácii, ihneď si popruh odopnite zo svojho ramena bez ohľadu na to, akým spôsobom je pripnutý.

## DRŽANIE TELESKOPICKEJ Pohonnej tyče

Teleskopická pohonná tyč je vybavená pokročilým systémom duálneho vypínača (obr. J). Každý vypínací systém môže samostatne zapnúť alebo vypnúť nástroj. Táto inovovaná metóda duálneho ovládania poskytuje najergonomickejšiu obsluhu v každodennej náročnej práci. (obr. K a L).

## SPUSTENIE/ZASTAVENIE TELESKOPICKEJ Pohonnej tyče

### Spustenie teleskopickéj pohonnej tyče

Posuňte uzamykací jazýček dopredu a stlačením páčky nastavenia premenlivej rýchlosti zapnete teleskopickú pohonnú tyč. Čím viac stlačíte páčku nastavenia premenlivej rýchlosti, tým vyššia je rýchlosť hlavy nástavca

### Zastavenie

Uvoľnite páčku nastavenia premenlivej rýchlosti a uzamykací jazýček.

## ÚDRŽBA

**VAROVANIE:** Pri servise používajte iba identické náhradné diely. Pravidelne kontrolujte a udržiavajte stroj. Pre zaistenie bezpečnosti a spoľahlivosti je nevyhnutné, aby všetky opravy vykonával len kvalifikovaný servisný technik.

**VAROVANIE:** Pred kontrolou, čistením alebo údržbou prístroja zastavte motor, počkajte, kým sa všetky pohyblivé diely zastavia a vyberte akumulátor. Nedodržanie týchto pokynov môže viesť k vážnemu zraneniu alebo poškodeniu majetku.

**POZNÁMKA:** Pred každým použitím skontrolujte, či na zariadení nie sú poškodené, chýbajúce alebo uvoľnené časti, napríklad skrutky, matice, závit, uzávery atď.

Bezpečne utiahnite všetky upevňovacie prvky a uzávery a nepoužívajte tento výrobok, kým nebudú vymenené všetky chýbajúce alebo poškodené diely. Obráťte sa na zákaznícke služby alebo kvalifikovaného servisného technika.

## VŠEOBECNÁ ÚDRŽBA

Na čistenie plastových dielov nepoužívajte rozpúšťadlá. Väčšina plastov je náchylná na poškodenie rôznymi typmi komerčných rozpúšťadiel a môžu sa poškodiť, ak sa rozpúšťadlá použijú. Použite čisté handry na odstránenie nečistôt, prachu, oleja, maziva atď.

## ČISTENIE TELESKOPICKEJ POHONNEJ TYČE

1. Zastavte motor a vyberte akumulátor.
2. Vyčistite špinu a nečistoty z teleskopickkej pohonnej tyče vlhkou handrou s jemným čistiacim prostriedkom.

**POZNÁMKA:** Nepoužívajte žiadne silné čistiace prostriedky na plastový kryt alebo rukoväť. Môžu sa poškodiť určitými aromatickými olejmi, ako je borovica a citrón.

## SKLADOVANIE TELESKOPICKEJ POHONNEJ TYČE

1. Pred uskladnením zastavte motor a vyberte akumulátor z teleskopickkej pohonnej tyče.
2. Odstráňte všetky nečistoty z teleskopickkej pohonnej tyče.
3. Skladujte na mieste, ktoré je neprístupné deťom.
4. Chráňte pred agresívnymi látkami, ako sú záhradné chemikálie a rozmrazovacie soli.

## Ochrana životného prostredia



Nevyhadzujte elektrické zariadenia, nabíjačku batérií a batérie/akumulátory do domového odpadu!

## ODSTRÁŇOVANIE PORÚCH

Pozrite si príslušný návod pre nástavec.

## ZÁRUKA

### ZÁRUČNÁ POLITIKA EGO

Navštívte webové stránky [egopowerplus.com](http://egopowerplus.com) pre úplné podmienky záručnej politiky spoločnosti EGO.

## OLVASSA EL AZ ÖSSZES UTASÍTÁST!



### OLVASSA EL A HASZNÁLATI ÚTUTATÓT

**⚠ Fenmaradó kockázat!** Az elektronikus készülékekkel, például pacemakerrel élő emberek a termék használata előtt kérjék ki az orvos véleményét. Az elektromos felszerelésnek a pacemakerhez közel való működtetése interferenciát vagy meghibásodást okozhat a pacemakerben.

**⚠ FIGYELMEZTETES:** A biztonságosság és megbízhatóság biztosítása érdekében minden javítást és cserét szakképzett szerviztechnikus hajtson végre.

## BIZTONSÁGI SZIMBÓLUM

A biztonsági szimbólumok célja, hogy felhívják a figyelmet az esetleges veszélyekre. Nagyon figyeljen a biztonsági szimbólumokra és magyarázatokra, ill. ezek megértésére. A szimbólumok figyelmeztetési önmagukban nem hárítják el a veszélyeket. Az utasítások és figyelmeztetések nem helyettesítik a megfelelő balesetmegelőző intézkedéseket.

**⚠ FIGYELMEZTETES:** A szerszám használata előtt feltétlenül olvassa el a jelen használati útmutató minden biztonsági utasítását, a „VESZÉLY”, „FIGYELMEZTETÉS” és „FIGYELEM” biztonsági szimbólumokat is. Az alább felsorolt utasítások be nem tartása áramütést, tűzveszélyt és/vagy súlyos személyi sérülést idézhet elő.

## SZIMBÓLUM JELENTÉSE



**⚠ FIGYELMEZTETES:** Bármely elektromos kéziszerszám működtetése azzal járhat, hogy idegen tárgyak szembe kerülnek, ami súlyos szemsérüléseket okozhat. Az elektromos kéziszerszám működtetése előtt mindig vegyen fel oldalsó védőlemezrel ellátott védőszemüveget és a teljes védőálarcot, ha szükséges. Javasoljuk, hogy viseljen Wide Vision Safety Mask-ot (védőálarc) a védőszemüveg fölött vagy standard védőszemüveget oldalsó védőlemezrel.

## BIZTONSÁGI ELŐÍRÁSOK

Ezen az oldalon olyan biztonsági szimbólumok láthatók és olvashatók, amelyek megjelenhetnek a terméken. Az összeszerelés vagy működtetés előtt olvassa el, érte meg és tartsa be a gép minden utasítását.

	Biztonsági figyelmeztetés	Potenciális személyi sérülés veszélyét jelzi.
	Olvassa el a használati útmutatót	A sérülések kockázatának csökkentése érdekében a termék használata előtt a felhasználónak el kell olvasnia a használati útmutatót és meg kell érteni az abban foglaltakat.
	Viseljen szemvédőt	Mindig viseljen védőszemüveget vagy oldalsó védőlemezrel ellátott védőszemüveget és teljes védőálarcot a termék működtetése közben.
	CE	A termék megfelel az érvényes EK irányelveknek.
	WEEE	Az elhasznált elektromos termékek nem helyezhetők a háztartási hulladékok közé. Vigye hivatalos újrahasznosító telephelyre.
	Ne tegye ki esőnek	Ne használja esőben, és ne hagyja kültéren, ha esik az eső.
IPX5	IP szimbólum	Víz behatolása elleni védelmi szint: 5
V	Volt	Feszültség
mm	Milliméter	Hossz vagy méret
cm	Centiméter	Hossz vagy méret
kg	Kilogramm	Súly
	Egyenáram	Áram típusa vagy jellemzői

**HU**

**⚠ FIGYELMEZTETÉS:** Olvassa el a szimbólummal jelölt biztonsági figyelmeztetéseket és az összes utasítást.

**Őrizzen meg minden figyelmeztetést és utasítást, hogy később is elő tudja majd venni.**

Az „elektromos kéziszerszám” megnevezés a figyelmeztetésekben egyaránt vonatkozik a hálózati feszültségről meghajtott elektromos kéziszerszámokra (hálózati vezetékkel rendelkező elektromos kéziszerszámok), valamint az akkumulátorról működtetett elektromos kéziszerszámokra (hálózati vezeték nélküli elektromos kéziszerszámok).

**⚠ Az elektromos szerszámokra vonatkozó általános biztonsági figyelmeztetések - Munkaterület biztonsága.**

- A munkaterület legyen tiszta és jól megvilágított. A munkaterületen uralkodó rendtelenségnek vagy a rossz megvilágításnak baleset lehet a következménye.
- Ne használjon elektromos szerszámokat robbanási veszélyt keltő környezetben, például olyan helyen, ahol éghető folyadékok, benzín vagy porok találhatóak. Az elektromos kéziszerszámok szikrákat képeznek, amelyek meggyújthatják a porokat vagy gázokat.
- Tartsa távol a gyermekeket és az illetéktelen személyeket, amikor elektromos kéziszerszámmal dolgozik. Ha megzavarják, elveszítheti uralmát a készülék felett.

**⚠ Az elektromos szerszámokra vonatkozó általános biztonsági figyelmeztetések - Elektromos biztonság.**

- Az elektromos kéziszerszám hálózati csatlakozódugójának illeszkednie kell az elektromos aljzathoz. Soha és semmiképpen se módosítsa a csatlakozódugót. Ne használjon adapteres csatlakozódugókat a földelt elektromos kéziszerszámokhoz. Az eredeti csatlakozódugó és megfelelő hálózati aljzat alkalmazásával megelőzi az áramütés veszélyét.
- Ne érjen földelt felületekhez, ilyenek pl. a csövek, fűtőtestek, tűzhelyek vagy hűtőszekrények. Az áramütés kockázata nagyobb, ha a teste le van földelve.
- Ne tegye ki az elektromos kéziszerszámot esőnek vagy nedves környezetnek. Az elektromos kéziszerszámba bekerülő víz megnöveli az áramütés kockázatát.
- Ne használja a kábelt helytelen módon. Soha ne használja a kábelt az elektromos kéziszerszám hordozására, húzására vagy lecsatlakoztatására. Tartsa távol a vezetéket hőtől, olajtól, éles szegélyektől és mozgó alkatrészekről. A sérült

vagy összegabalyodott hálózati kábelek megnövelik az áramütés veszélyét.

- **Az elektromos szerszám szabadtéri üzemeltetéséhez használjon szabadtéren használható hosszabbító kábelt.** A szabadtéren használható kábel alkalmazása csökkenti az áramütés kockázatát.
- **Ha elkerülhetetlen az elektromos kéziszerszám használata nedves helyen, használjon földelő áramköri megszakítóval ellátott tápellátást.** A GFCI használata csökkenti az áramütés veszélyét.

**⚠ Az elektromos szerszámokra vonatkozó általános biztonsági figyelmeztetések - Személyi biztonság.**

- Legyen figyelmes, ügyeljen arra, amit csinál, és józan ésszel fogjon a munkához, ha elektromos kéziszerszámot használ. Ne használjon elektromos kéziszerszámot, ha fáradt, kábítószert, alkoholt vagy gyógyszer befolyása alatt áll. Az elektromos kéziszerszám üzemeltetése közben egy pillanatnyi figyelmetlenség is súlyos személyi sérülést okozhat.
- **Használjon személyi védőfelszerelést. Mindig viseljen védőszemüveget.** A védőfelszerelések, mint például porvédő maszk, csúszásmentes lábbeli, sisak és hallásvédő, rendeltetésszerű használata révén elkerüli a sérülési veszélyeket.
- **Akadályozza meg a véletlen indítást. Ügyeljen arra, hogy a kapcsoló kikapcsolt állásban legyen, mielőtt az áramforráshoz és/vagy az akkumulátoregységhez csatlakoztatja, felveszi vagy viszi a szerszámot.** Balesetekhez vezethet, ha a hálózatra csatlakoztatott szerszámot úgy viszi, hogy közben az ujjja a bekapcsoló gombon van, vagy ha a hálózati csatlakozódugót olyankor dugja be az aljzatba, amikor a szerszám be van kapcsolva.
- **Vegye ki a csavarkulcsot és a beállító szerszámot, mielőtt az elektromos kéziszerszámot bekapcsolná.** Az elektromos szerszám mozgó alkatrészén felejtett csavarkulcs vagy eszköz személyi sérülést okozhat.
- **Ne hajoljon a gép fölé. Vegyen fel stabil testhelyzetet, és mindig tartsa meg az egyensúlyát.** Ezáltal jobban tudja irányítani az elektromos kéziszerszámot a legváratlanabb helyzetben is.
- **Viseljen megfelelő ruházatot. Ne viseljen laza ruházatot vagy ékszereket. A haj, a ruházat és a kesztyű ne érjen a mozgó részekhez.** A laza ruházatot, az ékszert vagy a hosszú hajat becsíphetik a mozgó alkatrészek.
- **Ha az elektromos kéziszerszámot porfelszívó vagy porfelfogó eszközzel szerelik fel, akkor győződjön meg arról, hogy ezek előírászerűen vannak-e csatlakoztatva, és használja őket a rendeltetésüknek megfelelően.** Porgyűjtő használata csökkentheti a porral járó veszélyeket.



- **Ne hagyja, hogy a rendszeres használat során megszerzett tapasztalat miatt túl magabiztosá váljon, és emiatt figyelmen kívül hagyja a biztonsági irányelveket.** Egy óvatlan cselekedet a másodperc törtédeke alatt súlyos sérülést okozhat.

**⚠ Az elektromos szerszámokra vonatkozó általános biztonsági figyelmeztetések - Az elektromos szerszámok üzemeltetése és gondozása.**

- **Ne terhelje túl az elektromos kéziszerszámot. A munkájához használja az arra alkalmas elektromos kéziszerszámot.** A megfelelő elektromos kéziszerszámmal jobban és biztonságosabban dolgozhat a megadott teljesítményhatárokon belül.
- **Ne használja az elektromos kéziszerszámot, ha nem lehet a bekapcsoló gomb segítségével be- vagy kikapcsolni.** Az olyan elektromos kéziszerszám, amely nem irányítható a kapcsolóval, veszélyes és javításra szorul.
- **Húzza ki a hálózati csatlakozó dugót az aljzattól, mielőtt beállításokat végezne, tartozékok cserélne vagy az elektromos kéziszerszámot félretenné.** Az ilyen megelőző biztonsági óvintézkedések csökkentik az elektromos kéziszerszám véletlen beindításának kockázatát.
- **A használaton kívüli elektromos kéziszerszámokat gyermekektől távol tartsa, és ne engedje meg, hogy olyan személyek használják az elektromos kéziszerszámot, akik nem ismerik azt, vagy nincsenek tisztában ezekkel a biztonsági utasításokkal.** Az elektromos szerszámok veszélyt jelentenek a gyakorlatlan felhasználó kezében.
- **Végezze el az elektromos kéziszerszám karbantartását.** Ellenőrizze a mozgó részek beállítását és rögzítését, vizsgáljon meg minden részt, nem sérült-e, és ellenőrizze, nem állnak-e fenn olyan körülmények, amelyek befolyásolhatják az elektromos kéziszerszámok helyes működtetését. Használat előtt javítsa meg a sérült elektromos kéziszerszámot. A rosszul karbantartott elektromos szerszámok sok balesetet okoznak.
- **A vágószerszámok legyenek mindig élesek és tiszták.** A megfelelően karbantartott és kiélezett vágóélekkel rendelkező vágószerszámok kevésbé hajlamosak az elgörcbülésre, valamint könnyebben kezelhetők.
- **Az elektromos kéziszerszámot, tartozékot, vágóféléteket, stb. mindig ezen biztonsági utasításoknak megfelelően használja, mindig vegye figyelembe a munkakörülményeket, és legyen tekintettel a megmunkálendő munkadarabra.** Az elektromos kéziszerszámoknak az előírt rendeltetési céltól eltérő célra való használata veszélyes.

- **Tartsa szárazon, tisztán, olajtól és zsírtól mentesen a fogantyúkat és a tartófelületeket.** A csúszós fogantyúk és tartófelületek miatt a szerszám kezelése és vezérése váratlan helyzetekben nem biztonságos.
- **Az 56 V-os PPX1000 teleszkópos meghajtófejet csak az alábbi EGO adapterekkel, illetve az EGO által a későbbiekben bemutatott, az ehhez a teleszkópos meghajtófejhez való adapterekkel szabad használni:**

ALKATRÉSZ TÍPUSA	MODELLSZÁM
Sövénynyíró adapter	PTX5100
Ágazófűrész adapter	PSX2500

**⚠ Az elektromos szerszámokra vonatkozó általános biztonsági figyelmeztetések - Az akkumulátorral működő szerszámok üzemeltetése és gondozása.**

- **Csak a gyártó által meghatározott töltőt használja.** Az olyan töltő, amely egy típusú akkumulátoregységhez alkalmas, tűzveszélyt okozhat, ha más típusú akkumulátoregységhez használja.
- **Az elektromos kéziszerszámokat csak speciálisan meghatározott akkumulátoregységekkel használja.** Bármely más akkumulátoregység használata sérülés- vagy tűzveszélyt okozhat.
- **Amikor nem használja az akkumulátoregységet, tartsa távol más fémtárgyaktól, például gemkapocs, érmék, kulcsok, tűk, csavarok vagy más kis fémtárgyak, amelyek a kapcsolatok érintkezésbe hozhatják egymással.** Az akkumulátorok kapcsolataik rövidzárlata égési sérülést vagy tüzet okozhat.
- **Nem megfelelő körülmények között folyadék szívároghat az akkumulátorból; ne érjen ehhez. Amennyiben véletlenül hozzáérne, mossa le a vizvel.** Ha ez a folyadék szembe kerül, forduljon orvoshoz. Az akkumulátorból kiszivárgó folyadék irritációt vagy égési sérülést okozhat.
- **Ne használjon sérült vagy módosított akkumulátoregységet vagy szerszámot.** A sérült vagy módosított akkumulátorok előre nem látható viselkedést válthatnak ki, amelynek eredménye tűz, robbanás vagy sérülésveszély lehet.
- **Ne tegye ki az akkumulátoregységet tűznek vagy túl magas hőmérsékletnek.** Ha tűznek, vagy 130 °C feletti hőmérsékletnek teszi ki, akkor felrobbanhat.
- **Tartsa be a töltési utasításokat, és ne töltse az akkumulátoregységet vagy a szerszámot az utasításokban meghatározott hőmérséklet-tartományon kívül.** A nem megfelelő vagy a meghatározott hőmérséklet-tartományon kívüli töltés megrongálhatja az akkumulátort, és növeli a tűzveszélyt.


**▲ Az elektromos szerszámokra vonatkozó általános biztonsági figyelmeztetések - Szervizelés.**

- Az elektromos kéziszerszám szervizelését szakképzett szerelő végezze, csak az eredetivel megegyező cserealkatrészek felhasználásával. Ezzel biztosítja az elektromos kéziszerszám biztonságának fenntartását.
- Soha ne szervizeljen sérült akkumulátoregységet. Az akkumulátoregységet csak a gyártó vagy felhatalmazott szerviz szolgáltató szervizelheti.
- Amennyiben olyan helyzet adódik, amely nem szerepel a jelen használati útmutatóban, akkor óvatosan és kellő mérlegeléssel cselekedjen. Forduljon az EGO szervizközponthoz segítségért.

**ŐRIZZE MEG EZEKET AZ UTASÍTÁSOKAT!**

**KIEGÉSZÍTŐLEG SPECIÁLIS BIZTONSÁGI SZABÁLYOK TALÁLHATÓK A MEGFELEŐ ALKATRÉSZ HASZNÁLATI ÚTMUTATÓJÁBAN.**

## JELLEMZŐK

Feszültség	56 V 
Javasolt működési hőmérséklet:	0°C - 40°C
Javasolt tárolási hőmérséklet	-20°C-70°C
Súly	3,9 kg

HU

## LEÍRÁS

**ISMERJE MEG A TELESZKÓPOS MEGHAJTÓFEJET (A ábra)**

1. Hátsó fogantyú
2. Rögzítőnyelv
3. Hordozószem
4. Elülső fogantyú
5. Rögzítőgomb
6. Tengelykioldó gomb
7. Rögzítőgomb
8. Csatlakozó
9. Teleszkópos cső
10. Állítható sebességszabályozó kapcsoló
11. Szerszámtámaszték
12. Vállsij
13. Kioldó mechanizmus
14. Zár
15. Akkumulátor kioldógomb
16. Csavarkulcs tartó
17. Kombinált kulcs

## A CSOMAG TARTALMA (A ÁBRA)

### ÖSSZESZERELÉS

**▲ FIGYELMEZTETÉS:** Ha bármely alkatrész sérült vagy hiányzik, akkor ne működtesse a terméket, amíg az alkatrészeket ki nem cserélik. Sérült vagy hiányzó alkatrészekkel való használat súlyos személyes sérülést okozhat.

**▲ FIGYELMEZTETÉS:** Mindig vegye ki az akkumulátoregységet a termékből, amikorra összeszereli az alkatrészeket, beállításokat, tisztítást végez, vagy amikor nem használja a terméket.

### ADAPTER RÖGZÍTÉSE A TELESZKÓPOS MEGHAJTÓFEJRE

**▲ FIGYELMEZTETÉS:** Olvassa el, és értse meg a teleszkópos meghajtófejjel használt minden opcionális adapter teljes használati útmutatóját, és tartson be minden figyelmeztetést és utasítást. Az utasítások be nem tartása áramütést, tűzveszélyt és/vagy súlyos sérülést idézhet elő.

**▲ FIGYELMEZTETÉS:** Az 56 V-os PPX1000 teleszkópos meghajtófejet csak olyan EGO adapterekkel szabad használni, amelyek a jelen használati útmutatóban meg vannak határozva, vagy az EGO utólag engedélyezte ezek használatát a teleszkópos meghajtófejjel. Más, nem engedélyezett tartozékok használata súlyos személyi sérüléseket vagy anyagi kárt okozhat.

**▲ FIGYELMEZTETÉS:** Soha ne csatlakoztasson, vegyen le vagy állítson be adaptert, mialatt a teleszkópos meghajtófej működésben van, vagy ha az akkumulátor be van helyezve. Ha nem sikerül leállítani a motort, vagy kivenni az akkumulátort, akkor az súlyos személyi sérüléseket okozhat.

Az adapter a teleszkópos meghajtófejhez egy csatlakozó készülékkel csatlakozik.

1. Állítsa le a motort, és vegye ki az akkumulátoregységet.
2. Lazítsa meg a rögzítőgombot.
3. Illessze az adapter tengelyén található nyílkat a csatlakozón lévő illesztési jelhez, és tolja az adapter tengelyét a csatlakozóba, amíg kattant hangot nem hall. A csatlakozónak ekkor úgy kell elhelyezkednie egészen a referencia vonalig, hogy az adapter tengelye megfelelően álljon a helyén. (B ábra).

B-1	Tengelykioldó gomb	B-4	Referencia vonal
B-2	Illesztési jel	B-5	Rögzítőgomb
B-3	Nyíl jel		

- Húzza ki a tengelyt az adapterből, hogy megnézzé, biztonságosan van-e a csatlakozóban rögzítve. Ha nem, akkor az adapter tengelyét a csatlakozó készülékbe, amíg a helyére nem kattán.
- Húzza meg biztonságosan a rögzítőgombot.

**⚠ FIGYELMEZTETÉS:** A készülék működtetése előtt győződjön meg arról, hogy a rögzítőgomb meg van-e húzva; időnként ellenőrizze a rögzítettséget használat közben a súlyos személyi sérülések elkerülése érdekében.

### AZ ADAPTER LEVÉTELE A TELESZKÓPOS MEGHAJTÓFEJRŐL

- Állítsa le a motort, és vegye ki az akkumulátoregységet.
- Lazítsa meg a rögzítőgombot.
- Nyomja meg a tengelykioldó gombot és tartsa nyomva a gombot, és húzza ki az adapterszárat a csatlakozóból.

### A VÁLLSZÍJ FELSZERELÉSE (C ábra)

Nyomja le a válszj kampóját a kinyitáshoz, és csatlakoztassa a hordozószerkezethez.

### KIHÚZHATÓ TELESZKÓPOS CSŐ

A kéziszerszám teleszkópos csővel van felszerelve, amely akár 960 mm-re is kihúzható (teljesen kihúzott állapot).

A rögzítőgomb tartja a teleszkópos csövet a megfelelő pozícióban, bármennyire van is kihúzva.

- A teleszkópos cső kihúzásához lazítsa meg a rögzítőgombot a kioldás ikon irányába. A teleszkópos cső akadály nélkül kihúzható (D ábra)

D-1	Rögzítőgomb	D-2	A maximális kihúzás jelölése
-----	-------------	-----	------------------------------

- Húzza ki a teleszkópos csövet a kívánt meghosszabbított méretre.
- A teleszkópos cső megfelelő pozícióban való rögzítéséhez szorítsa meg a rögzítőgombot a rögzítés ikon irányába.

**⚠ FIGYELMEZTETÉS:** Kérjük, minden lépésnél körültekintően járjon el, hogy a kezei vagy az ujjai ne csipődhessenek be

## MŰKÖDTETÉS

**⚠ FIGYELMEZTETÉS:** Ne hagyja, hogy a termékkel szerzett jártassága miatt óvatlanná váljon. Emlékezzon arra, hogy a másodperc töredéke alatt történő óvatlanság súlyos sérülést okozhat.

**⚠ FIGYELMEZTETÉS:** Mindig viseljen védőszemüveget. Amennyiben nem ezt teszi, tárgyak repülhetnek a szemébe, és más komoly sérülések keletkezhetnek.

**⚠ FIGYELMEZTETÉS:** Ne használjon a termék gyártója által nem javasolt tartozékokat. A nem javasolt tartozékok használata súlyos személyi sérülést okozhat.

### AZ AKKUMULÁTOREGYSÉG FELHELYEZÉSE/ LEVÉTELE

**MEGJEGYZÉS:** Az első használat előtt teljesen töltsé fel az akkumulátoregységet.

#### Felhelyezés

Illesse az akkumulátor bordáit a szerelőnyílásokba és nyomja le az akkumulátoregységet, amíg kattánást nem hall (E ábra).

E-1	Szerelőnyílás	E-2	Perem
-----	---------------	-----	-------

HU

#### Levétele

Oldja ki az akkumulátor kioldógombot, és húzza ki az akkumulátoregységet (F ábra).

**⚠ FIGYELMEZTETÉS:** A súlyos személyi sérülések elkerülése érdekében mindig vegye le az akkumulátoregységet, és vegye le a kezét a rögzítőnyelvről és a szabályozó kapcsolóról, amikor az eszközt viszi vagy szállítja.

### VÁLLSZÍJ

A biztonságos és jobb működés érdekében a válszját a vállán keresztben tegye fel (ahogy a G ábrán látható), hogy tehermentesítse a karját a rá nehezedő súlytól. A válszját kényelmes működtetési pozícióba állítsa.

A szj kioldásának kétféle módja van. Közvetlenül vegye le a válláról (H ábra), vagy nyomja meg a szjion lévő kampót, és vegye le a tengelyre szerelt hordozószeremről (I ábra)

**⚠ FIGYELMEZTETÉS:** A válszj is egy gyorskioldó mechanizmus veszélyes helyzetben. Ha vészhelyzet adódik, akkor azonnal vegye le a válláról, függetlenül attól, hogyan van feltéve a szj.

## A TELESZKÓPOS MEGHAJTÓFEJ TARTÁSA

A teleszkópos meghajtófej korszerű kétszeres aktiváló mechanizmussal van felszerelve (J ábra). Mindegyik aktiváló mechanizmus képes önállóan működni és be vagy kikapcsolni a kéziszerszámot. Az innovatív, kétszeres vezérlő mechanizmus ergonomikusabb használatot tesz lehetővé a napi munka során. (K és L ábra)

## A TELESZKÓPOS MEGHAJTÓFEJ INDÍTÁSA/ LEÁLLÍTÁSA

### A teleszkópos meghajtófej indítása

Mozgassa előrefelé a rögzítőnyelvet, és nyomja meg az állítható sebességszabályozó kapcsolót a teleszkópos meghajtófejen. Minél jobban nyomja az állítható sebességszabályozó kapcsolót, az adapter annál magasabb sebességgel működik

### Leállítás

Engedje ki az állítható sebességszabályozó kapcsolót és a rögzítőnyelvet.

## KARBANTARTÁS

**⚠ FIGYELMEZTETÉS:** Javitáskor használjon azonos pótalkatrészeket. Rendszeresen ellenőrizze a gépet, és végezzen karbantartást. A biztonságosság és megbízhatóság biztosítása érdekében minden javítást szakképzett szerviztechnikus hajtson végre.

**⚠ FIGYELMEZTETÉS:** Az egység ellenőrzése, tisztítása vagy szervizelése előtt állítsa le a motort, várjon, amíg minden mozgó alkatrész leáll, és vegye ki az akkumulátoregységet. A jelen utasítások be nem tartása súlyos személyi sérülést vagy anyagi kárt eredményezhet.

**⚠ MEGJEGYZÉS:** Minden használat előtt ellenőrizze a teljes terméket sérülések, hiányzó vagy laza alkatrészek, pl. csavarok, anyák, alátétek, sapkák stb. szempontjából. Biztonságosan húzzon meg minden rögzítőt és sapkát, és ne működtesse a terméket, amíg a sérült vagy hiányzó alkatrészeket ki nem cserélték. Kérjük, lépjen kapcsolatba az ügyfélszolgálattal vagy szakképzett szerviz szakemberrel.

## ÁLTALÁNOS KARBANTARTÁS

A műanyag alkatrészek tisztításához ne használjon oldószereket. A legtöbb műanyag különböző vegyi oldószerek hatására károsodik, ezek megromláthatják őket. Használjon tiszta ruhát a szennyeződés, por, olaj, zsír, stb. eltávolításához.

## A TELESZKÓPOS MEGHAJTÓFEJ TISZTÍTÁSA

1. Állítsa le a motort, és vegye ki az akkumulátoregységet.
2. Tisztítsa le a szennyeződések a teleszkópos meghajtófejről egy nedves ruhával és kímélő tisztítószerral.

**MEGJEGYZÉS:** Ne használjon erős tisztítószereket a műanyag burkolaton vagy a fogantyún. Ezek megsérülhetnek a különböző aromaolajaktól, pl. fenyő vagy citrom.

## A TELESZKÓPOS MEGHAJTÓFEJ TÁROLÁSA

1. Elrakás előtt vegye le az akkumulátoregységet a teleszkópos meghajtófejről.
2. Tisztítson le minden idegen anyagot a teleszkópos meghajtófejről.
3. Gyermekek számára nem elérhető helyen tárolja.
4. Tartsa távol maró hatású szerektől, például kerti vegyszerektől, és jégmentesítő sótól.

### Környezetvédelem



Ne tegye az elektromos felszerelést, az akkumulátortöltőt és az akkumulátorokat/újratölthető akkumulátorokat a háztartási hulladékok közé!



### HIBAEHÁRÍTÁS

Lásd a megfelelő tartozékok használati útmutatóit.

### GARANCIA

#### EGO GARANCIÁLIS FELTÉTELEK

Kérjük, látogasson el az [egopowerplus.com](http://egopowerplus.com) oldalra, ahol megtalálja a részletes EGO garanciális feltételeket.

## CITIȚI TOATE INSTRUCȚIUNILE!



### CITIȚI MANUALUL DE INSTRUCȚIUNI

**⚠ Riscuri reziduale!** Persoanele cu dispozitive electronice precum stimulatoare cardiace ar trebui să se consulte cu medicul (medicii) înainte de a utiliza acest produs. Funcționarea echipamentelor electrice în imediata apropiere a unui stimulator cardiac ar putea provoca interferențe sau defecțiuni ale stimulatorului cardiac.

**⚠ AVERTISMENT:** Pentru siguranța și fiabilitatea produsului, toate reparațiile și înlocuirile de piese ar trebui efectuate de către un tehnician de service autorizat.

## SIMBOL DEEE

Scopul simbolurilor privind siguranța este să vă atragă atenția asupra pericolelor posibile. Simbolurile privind siguranța și explicațiile furnizate cu acestea merită atenția și înțelegerea dumneavoastră. Avertizările simbolurilor nu elimină, prin ele însele, niciun pericol. Instrucțiunile și avertizările pe care le oferă acestea nu pot înlocui măsurile adecvate de prevenire a accidentelor.

**⚠ AVERTISMENT:** Asigurați-vă că ați citit și înțelegiți toate instrucțiunile privind siguranța din acest Manual de utilizare, inclusiv toate simbolurile de alertă privind siguranța precum **“PERICOL,”** **“AVERTISMENT,”** și **“ATENȚIE”** înainte de a utiliza această sculă. Nerespectarea tuturor avertismentelor și instrucțiunilor poate duce la electrocutare, incendiu și/sau răni grave.

RO

## SEMNIFICAȚIA SIMBOLURILOR



**⚠ AVERTISMENT:** Exploatarea oricăror scule electrice se poate solda cu rikoșarea de obiecte străine în ochii dumneavoastră, ceea ce se poate solda cu vătămarea gravă a ochilor. Înainte de a începe să utilizați scula electrică, echipați-vă întotdeauna cu ochelari de protecție sau ochelari de protecție cu apărători laterale și vizieră pentru față, atunci când este nevoie. Vă recomandăm să purtați o vizieră lată de protecție peste ochelarii de vedere sau ochelari de protecție standard cu apărători laterale.

## INSTRUCȚIUNI PRIVIND SIGURANȚA

Această pagină descrie simbolurile de siguranță ce pot apărea pe acest produs. Citiți, înțelegeți și respectați toate instrucțiunile de pe mașină înainte de a o asambla și de a o utiliza.

	Alertă privind siguranța	Indică un risc posibil de vătămare corporală.
	Citiți manualul de instrucțiuni	Pentru a reduce riscul de vătămare, utilizatorul trebuie să citească și să înțeleagă manualul de instrucțiuni înainte de a utiliza acest produs.
	Purtați echipament de protecție oculară	Purtați întotdeauna ochelari de protecție sau ochelari de protecție cu apărători laterale și o vizieră facială completă când utilizați acest produs.
	CE	Acest produs este în conformitate cu directivele europene aplicabile.
	DEEE	Deșeurile produselor electrice nu trebuie să fie eliminate împreună cu deșeurile menajere. Predați-le unui punct de reciclare autorizat.
	A nu se expune la ploaie	Nu utilizați acest produs în ploaie și nu-l lăsați în exterior în timp ce plouă.
IPX5	Simbol IP	Protecție de grad 5 împotriva pătrunderii apei
V	Volt	Tensiune
mm	Milimetru	Lungime sau dimensiune
cm	Centimetru	Lungime sau dimensiune
kg	Kilogram	Greutate
	Curent continuu	Tip sau o caracteristică de curent

**⚠ AVERTISMENT:** Citiți toate avertismentele de siguranță desemnate de simbolul și toate instrucțiunile.

**Păstrați toate avertizările și instrucțiunile pentru consultare ulterioară.**

Termenul „sculă electrică” din avertizări se referă la scula electrică (cu cablu) alimentată de la rețeaua electrică sau scula electrică (fără cablu de alimentare) care funcționează cu acumulator.

**⚠️ Avertismente generale privind siguranța sculei electrice – Siguranța zonei de lucru.**

- Păstrați zona de lucru curată și bine iluminată. Zonele dezordonate și întunecoase predispun la accidente.
- Nu puneți în funcțiune sculele electrice în atmosfere explozive, cum ar fi în prezența lichidelor, gazelor sau pulberilor inflamabile. Sculele electrice creează scântei, care pot aprinde pulberile sau gazele.
- Țineți copiii și persoanele prezente la distanță atunci când utilizați o sculă electrică. Distragerea atenției vă poate face să pierdeți controlul.

**⚠️ Avertismente generale privind siguranța sculei electrice – Siguranța electrică.**

- Ștecherile sculelor electrice trebuie să corespundă cu priza de rețea electrică. Nu modificați niciodată ștecherul în vreun fel. Nu utilizați adaptoare de priză cu scule electrice împământate. Ștecherile nemodificate și prizele adecvate vor reduce riscul de electrocutare.
- Evitați contactul corpului cu suprafețele legate la împământare, cum sunt țevile, caloriferele, mașinile de gătit și frigiderule. Acest lucru reprezintă un risc sporit de electrocutare în cazul care corpul dumneavoastră este împământat.
- Nu expuneți sculele electrice la ploaie sau condiții de umiditate. Pătrunderea apei într-o sculă electrică va crește riscul de electrocutare.
- Nu folosiți în mod abuziv cablul de alimentare. Nu utilizați niciodată cordonul de alimentare pentru a transporta, a trage sau a scoate din priză scula electrică. Țineți cablul de alimentare departe de căldură, ulei, margini tăioase sau piese în mișcare. Cablurile electrice deteriorate sau încălcite cresc riscul de electrocutare.

- Când utilizați o sculă electrică în aer liber utilizați un cablu prelungitor adecvat pentru utilizarea în aer liber. Utilizarea unui cablu adecvat pentru utilizare în aer liber reduce riscul de electrocutare.

- Dacă utilizarea unei scule electrice într-o zonă umedă este inevitabilă, utilizați o sursă de alimentare protejată cu un întrerupător de protecție la defecțiune circuit de împământare. Utilizarea unui astfel de întrerupător reduce riscul de electrocutare.

**⚠️ Avertismente generale privind siguranța sculei electrice – Siguranța personală.**

- Păstrați-vă vigilența, urmăriți ceea ce faceți și apelați la bunul simț când utilizați o sculă electrică. Nu utilizați o sculă electrică când sunteți obosit, sau sub influența medicamentelor, a alcoolului sau a medicației. Un moment de neatenție în timp ce utilizați sculele electrice se poate solda cu vătămări grave.

- Utilizați echipamente individuale de protecție. Purtați întotdeauna echipament de protecție oculară. Echipamentele de protecție, cum ar fi masca de praf, bocancii de protecție antiderapați, casca sau antifonoale utilizate în condiții corespunzătoare, vor reduce vătămrile corporale.

- Preveniți pornirea accidentală. Asigurați-vă că întrerupătorul este în poziția oprit înainte de a conecta scula la o sursă de alimentare și/sau set de acumulatori, înainte de a ridica sau transporta scula. Transportul sculelor electrice cu degetul pe întrerupător sau cu alimentarea cu energie electrică pornită predispuie la accidente.

- Îndepărtați orice cheie de reglare sau cheie fixă înainte de a porni scula electrică. O cheie lăsată într-o piesă rotativă a sculei electrice poate duce la accidente.

- Nu încercați să ajungeți în locuri inaccesibile. Păstrați-vă stabilitatea și echilibrul în orice moment. Astfel veți avea un control mai bun asupra sculei electrice în situații neașteptate.

- Îmbrăcați-vă corespunzător. Nu purtați haine largi sau bijuterii. Păstrați-vă părul, îmbrăcămintea și mânușile departe de componentele în mișcare. Îmbrăcămintea largă, bijuteriile sau părul lung pot fi prinse de piesele în mișcare.

- Dacă sunt furnizate dispozitive pentru conectarea sistemelor de extragere și colectare a prafului, asigurați-vă că acestea sunt conectate și utilizate corespunzător. Utilizarea dispozitivelor colectoare de praf poate reduce pericolele legate de praf.

- Nu permiteți ca familiaritatea dobândită în urma utilizării frecvente a sculelor să vă facă să neglijați sau să nesocotiți principiile de siguranță ale sculei. O operație neglijentă poate cauza vătămări grave într-o fracțiune de secundă.

**⚠️ Avertismente generale privind siguranța sculei electrice – Utilizarea și îngrijirea sculei electrice.**

- Nu forțați scula electrică. Utilizați scula electrică corespunzătoare pentru aplicația dumneavoastră. Scula electrică adecvată va face o treabă mai bună și mai sigură când este utilizată conform specificațiilor pentru care a fost concepută.

- Nu utilizați scula electrică dacă întrerupătorul nu comută pe pozițiile pornit și oprit. Orice sculă electrică ce nu poate fi controlată de la întrerupător este periculoasă și trebuie reparată.

- Deconectați ștecherul de la sursa de alimentare și/sau setul de acumulatori de scula electrică înainte de efectuarea oricăror reglaje, schimbări de accesorii sau înainte de depozitarea sculelor electrice. Astfel de măsuri preventive reduc riscul de pornire accidentală a sculei electrice.

- **Depozitați sculele electrice într-un loc inaccesibil copiilor și nu permiteți utilizarea sculei electrice de persoane nefamiliarizate cu aceasta sau cu aceste instrucțiuni.** Sculele electrice sunt periculoase în mâinile utilizatorilor neinstruiți.
- **Întrețineți sculele electrice.** Verificați dacă există abateri de la coaxialitate sau îndoiri ale pieselor în mișcare, deteriorări ale pieselor și orice altă situație care poate afecta funcționarea sculelor electrice. În caz de deteriorare, reparați scula electrică înainte de utilizare. Multe accidente sunt cauzate de sculele electrice prost întreținute.
- **Mențineți sculele de tăiere ascuțite și curate.** Sculele de tăiere întreținute corespunzător și cu muchii de tăiere ascuțite riscă mai puțin să se îndoie și sunt mai ușor de controlat.
- **Utilizați scula electrică, accesoriile și cuțitele demontabile etc. în conformitate cu aceste instrucțiuni, ținând cont de condițiile de lucru și lucrarea de efectuat.** Utilizarea sculei electrice pentru operații diferite de cele intenționate s-ar putea solda cu o situație periculoasă.
- **Mențineți mânerul și suprafețele de apucat uscate, curate și fără ulei și vaselină.** Mânerul și suprafețele de apucare alunecoase nu permit manevrarea în siguranță și controlul asupra sculei în situații neașteptate.
- Această tijă de alimentare telescopică de 56V PPX1000 poate fi utilizată doar cu următoarele accesorii EGO sau introduse ulterior de EGO pentru utilizare cu această tijă de alimentare telescopică:

TIP DE DISPOZITIV	NUMĂR MODEL
Accesoriu pentru foarfecele de tăiat gard viu	PTX5100
Accesoriu tijă de tăiere	PSX2500

**⚠️ Avertismente generale privind siguranța sculei electrice – Utilizarea și îngrijirea acumulatorului sculei electrice.**

- **Reîncărcați numai cu încărcătorul specificat de producător.** Un încărcător adecvat pentru un tip de set de acumulatori poate prezenta risc de incendiu dacă este utilizat cu alt set de acumulatori.
- **Utilizați sculele electrice doar cu seturile de acumulatori special menționate.** Utilizarea oricărui alt set de acumulatori prezintă risc de accidente și incendiu.
- **Când nu se utilizează setul de acumulatori, țineți-l departe de alte obiecte metalice precum clamele de hârtie, monedele, cheile, cuiile, șuruburile sau alte**

**obiecte metalice mici care pot realiza o conexiune între borne.** Scurtcircuitarea bornelor acumulatorului poate produce arsuri sau un incendiu.

- **În condiții abuzive se poate scurge lichid din acumulator; evitați contactul.** Dacă are loc contactul accidental, clătiți cu apă. Dacă lichidul intră în contact cu ochii, efectuați suplimentar un consult medical. Lichidul scurs din acumulator poate produce iritații sau arsuri.
- **Nu utilizați un set de acumulatori sau o sculă deteriorată sau modificată.** Acumulatorii deteriorați sau modificați pot prezenta comportament imprevizibil, care poate duce la incendiu, explozie sau risc de vătămare.
- **Nu expuneți setul de acumulatori la foc sau la temperaturi excesive.** Expunerea la foc sau la temperaturi de peste 130°C poate provoca explozie.
- **Respectați instrucțiunile de încărcare și nu încărcați setul de acumulatori sau scula în afara intervalului de temperatură specificat în instrucțiuni.** Încărcarea necorespunzătoare sau la temperaturi în afara domeniului specificat poate duce la deteriorarea acumulatorului și la creșterea riscului de incendiu.

**⚠️ Avertismente generale privind siguranța sculei electrice – Depanare.**

- **Apelați numai la o persoană calificată pentru a vă repara scula electrică utilizând numai piese de schimb identice.** Astfel se asigură menținerea nivelului de siguranță al sculei electrice.
- **Nu efectuați niciodată operații de service asupra seturilor de acumulatori deteriorați.** Depanarea acumulatorilor trebuie să fie efectuată numai de producător sau de prestatorii autorizați de servicii.
- **În cazul situațiilor care nu sunt adresate în acest manual, utilizați grijă și raționament.** Contactați centrul de service EGO pentru asistență.

## PĂSTRAȚI ACESTE INSTRUCȚIUNI

**REGULI SUPLIMENTARE DE SIGURANȚĂ SPECIFICE SE GĂSESC ÎN MANUALUL AFERENT DISPOZITIVELOR COMPATIBILE**

## SPECIFICAȚII

Tensiune	56 V $\overline{\text{---}}$
Temperatură de funcționare recomandată:	0°C-40°C
Temperatură de depozitare recomandată	-20°C-70°C
Greutate	3,9 kg



## DESCRIERE

### DESCRIEREA TIJEI DE ALIMENTARE TELESCOPICE (Fig. A)

1. Mâner posterior
2. Manetă de blocare
3. Ochet de transport
4. Mâner frontal
5. Buton de prindere
6. Buton de eliberare a tijei
7. Buton de blocare
8. Cuplor
9. Tub telescopic
10. Declanșator cu turație variabilă
11. Suport de sculă
12. Cureaua de umăr
13. Mecanism de ejectare
14. Zăvor
15. Buton de detașare a acumulatorului
16. Suport pentru cheie
17. Cheie combinată

### LISTA COMPONENTELOR (FIG. A)

#### ASAMBLARE

**⚠️ AVERTISMENT:** Dacă unele piese sunt deteriorate sau lipsesc, nu utilizați acest produs până la înlocuirea pieselor. Utilizarea acestui produs cu piese deteriorate sau lipsă s-ar putea solda cu vătămări grave.

**⚠️ AVERTISMENT:** Scoateți întotdeauna setul de acumulatori din produs înainte de a asambla componente, a efectua reglaje, a curăța sau atunci când produsul nu este utilizat.

#### ATAȘAREA ACCESORIULUI LA TIJA DE ALIMENTARE TELESCOPICĂ

**⚠️ AVERTISMENT:** Citiți și înțelegeți întregul Manual de utilizare pentru fiecare dispozitiv opțional utilizat cu această tijă de alimentare telescopică și respectați toate avertismentele și instrucțiunile. Nerespectarea tuturor instrucțiunilor poate duce la electrocutare, incendiu și/sau vătămări grave.

**⚠️ AVERTISMENT:** Această tijă de alimentare telescopică PPX1000 de 56 V este proiectată pentru a fi utilizată numai cu modelele dispozitivelor EGO specificate în acest Manual de instrucțiuni sau introduse după aceea de EGO pentru a fi utilizate cu această tijă de alimentare telescopică. Utilizarea altor dispozitive neautorizate poate cauza vătămări grave sau pagube.

**⚠️ AVERTISMENT:** Nu instalați, nu îndepărtați și nu reglați niciodată vreun dispozitiv în timp ce tijă de alimentare telescopică este în funcțiune sau dacă acumulatorul este instalat. Neoprirea motorului și neîndepărtarea acumulatorului se pot solda cu vătămări corporale grave.

Dispozitivul se conectează la tijă de alimentare telescopică cu ajutorul unui dispozitiv de cuplare.

1. Opriți motorul și scoateți setul de acumulatori.
2. Slăbiți butonul de blocare.
3. Aliniați săgeata de pe tijă cu indicatorul de aliniere de pe cuplor și împingeți tijă în cuplor până când auziți un sunet clar de „clic”, cuplorul trebuie să fie poziționat până la linia de referință de pe tijă, iar tijă să fie montată corespunzător în poziție. (Fig. B)

B-1	Buton de eliberare a tijei	B-4	linie de referință
B-2	Indicator de aliniere	B-5	Buton de blocare
B-3	Marcaj săgeată		

4. Trageți de tijă dispozitivului pentru a vă asigura că aceasta este bine blocată în cuplor. Dacă nu, rotiți tijă dispozitivului în cuplor până se anclanșează.
5. Strângeți bine butonul de blocare.

**⚠️ AVERTISMENT:** Asigurați-vă că butonul de blocare este bine strâns înainte de a utiliza echipamentul; asigurați-vă periodic că este bine strâns în timpul utilizării pentru evitarea vătămarilor grave.

RO

#### DECONNECTAREA ACCESORIULUI DE TIJA DE ALIMENTARE TELESCOPICĂ

1. Opriți motorul și scoateți setul de acumulatori.
2. Slăbiți butonul de blocare.
3. Apăsăți pe butonul de eliberare a axului. Cu butonul apăsat, trageți axul accesoriu din cuplaj.

#### MONTAREA CURELII DE UMĂR (Fig. C)

Apăsăți pe cârligul curelei pentru a-l deschide și fixați-l pe ochetul de prindere a curelei de umăr.

#### PRELUNGIREA TUBULUI TELESCOPIC

Scula este echipată cu un tub telescopic care se va extinde la 960 mm (complet extins).

Butonul de prindere este utilizat pentru a menține tubul telescopic în poziție la orice lungime extinsă.

1. Pentru a extinde tubul telescopic, slăbiți butonul de prindere urmând pictograma de deblocare. Tubul telescopic va aluneca liber (Fig. D).

D-1	Buton de prindere	D-2	Indicație pentru limita maximă
-----	-------------------	-----	--------------------------------

2. Trageți tubul telescopic spre exterior la lungimea dorită de prelungire.
3. Pentru a bloca tubul telescopic în poziție, strângeți butonul de prindere urmând pictograma de blocare.

**⚠️ AVERTISMENT:** În cazul în care vă ciupiți mâna sau degetele, vă rugăm să fiți atenți la fiecare pas.

## FUNCȚIONARE

**⚠️ AVERTISMENT:** Nu permiteți ca familiarizarea cu acest produs să vă determine să fiți neatent. Amintiți-vă că o fracțiune de secundă de neatenție este suficientă pentru a provoca vătămări grave.

**⚠️ AVERTISMENT:** Purtați întotdeauna echipament de protecție oculară. Nerespectarea acestei instrucțiuni ar putea avea ca rezultat proiectarea în ochi a obiectelor și alte posibile vătămări grave.

**⚠️ AVERTISMENT:** Nu utilizați nicio componentă sau accesoriu care nu a fost recomandat de producătorul acestui produs. Utilizarea de accesorii nerecomandate se poate solda cu vătămări grave.

## INSTALAREA/ÎNDEPĂRTAREA SETULUI DE ACUMULATORI

**NOTĂ:** Reîncărcați complet setul de acumulatori înaintea primei utilizări.

### Instalarea

Aliniați nervurile de pe acumulator cu fantele de montare și apăsați în jos setul de acumulatori până la auzul unui clic (Fig. E).

E-1	Fantă de montare	E-2	Proeminență
-----	------------------	-----	-------------

### Îndepărtarea

Apăsați butonul de detașare al setului de acumulatori și scoateți setul de acumulatori (Fig. F).

**⚠️ AVERTISMENT:** Pentru a evita vătămările grave, scoateți întotdeauna setul de acumulatori și nu atingeți cu mâna maneta de blocare când deplasați sau transportați scula.

## CUREA DE UMĂR

Pentru o funcționare sigură și mai bună, poziționați cureaua de umăr peste umăr ca în fig. G pentru a ușura greutatea pe brațele operatorului. Reglați curea de umăr într-o poziție confortabilă de lucru.

Există două moduri de a elibera cureaua. Scoateți-o direct de pe umăr (Fig. H) sau apăsați pe cârligul curelei și îndepărtați-o din ochetul de transport fixat pe tijă (Fig. I).

**⚠️ AVERTISMENT:** Cureaua de umăr este și un mecanism de eliberare rapidă în situații periculoase. În caz de urgență, îndepărtați imediat cureaua de pe umăr, indiferent de modul de instalare a curelei.

## ȚINEREA TIJEI DE ALIMENTARE TELESCOPICE

Tija de alimentare telescopică este echipată cu un sistem avansat de declanșare dublă (Fig. J). Fiecare sistem de declanșare poate porni sau dezactiva independent scula. Această metodă inovată de control dublu oferă cea mai ergonomică funcționare în lucrările dificile zilnice. (Fig. K și L)

## PORNIREA/OPRIREA TIJEI DE ALIMENTARE TELESCOPICE

### Pentru pornirea tijei de alimentare telescopică

Deplasați maneta de blocare înainte și apăsați pe declanșatorul cu turație variabilă pentru a porni tija de alimentare telescopică. Cu cât se aplică o presiune mai mare pe declanșatorul cu turație variabilă, cu atât este mai mare turația accesoriului capului.

### Oprirea

Eliberați declanșatorul cu turație variabilă și maneta de blocare.

## ÎNȚREȚINERE

**⚠️ AVERTISMENT:** La depanare, utilizați numai piese de schimb identice. Inspectați și efectuați întreținerea mașinii cu regularitate. Pentru siguranța și fiabilitatea produsului, toate reparațiile trebuie efectuate de către un tehnician de service autorizat.

**⚠️ AVERTISMENT:** Înainte de a inspecta, a curăța sau a efectua operațiuni de service asupra aparatului, opriți motorul, asigurați-vă că toate componentele mobile sunt oprite și îndepărtați setul de acumulatori dacă este nevoie. Nerespectarea acestor instrucțiuni se poate solda cu vătămări corporale grave sau distrugerea bunurilor.

**⚠️ OBSERVAȚIE:** Înaintea fiecărei utilizări, inspectați întregul produs pentru depistarea defectelor, componentelor lipsă sau slăbite precum șuruburi, piulițe, bolțuri, capace etc. Strângeți bine toate elementele de

prindere și capacele și nu utilizați acest produs dacă piesele lipsă sau defecte nu sunt înlocuite. Vă rugăm să contactați serviciul de clienți sau un tehnician de service calificat.

### ÎNȚREȚINERE GENERALĂ

Evitați utilizarea solvenților când curățați piese din plastic. Majoritatea pieselor din plastic sunt susceptibile să se deterioreze de la diverse tipuri de solvenți comerciali și se pot defecta prin utilizarea acestora. Utilizați lavete curate pentru a îndepărta murdăria, praful, uleiul, unsoarea etc.

### CURĂȚAREA TIJEI DE ALIMENTARE TELESCOPICE

1. Oprii motorul și scoateți setul de acumulatori.
2. Curățați murdăria și resturile de pe tija de alimentare telescopică cu ajutorul unei lavete ușor umezite cu detergent slab.

**OBSERVAȚIE:** Nu utilizați detergenți puternici pe carcasa de plastic sau pe mâner. Acestea se pot deteriora de anumite uleiuri parfumate precum molid și lămâie.

### DEPOZITAREA TIJEI DE ALIMENTARE TELESCOPICE

1. Scoateți setul de acumulatori de pe tija de alimentare telescopică înainte de depozitare.
2. Curățați toate materiile străine de pe tija de alimentare telescopică.
3. Depozitați-l într-un loc inaccesibil copiilor.
4. Țineți-l la distanță de agenți corozivi, precum substanțele chimice de grădină și sărurile de dezghețare.

### Protejarea mediului înconjurător



Nu eliminați echipamentul electric, încărcătorul de acumulator și bateriile/acumulatorii împreună cu deșeurile menajere!

### DEPANARE

Consultați manualul de instrucțiuni al dispozitivului aplicabil.

### GARANȚIE

#### POLITICA PRIVIND GARANȚIA EGO

Vă rugăm să consultați site-ul [egopowerplus.com](http://egopowerplus.com) pentru termenii și condițiile complete ale politicii privind garanția EGO.

## PREBERITE VSA NAVODILA!



### PREBERITE PRIROČNIK Z NAVODILI ZA UPORABO

**⚠ Tveganje zaradi preostalega toka!** Pred uporabo izdelka se morajo osebe z elektronskimi napravami, kot je srčni spodbujevalnik, posvetovati s svojim zdravnikom. Delovanje električne opreme v bližini srčnega spodbujevalnika lahko povzroči motnje ali okvaro srčnega spodbujevalnika.

**⚠ OPOZORILO:** Za zagotovitev varnosti in zanesljivosti mora vsa popravila in zamenjave izvesti usposobljen servisni tehnik.

## VARNOSTNI SIMBOL

Namen varnostnih simbolov je, da vas opozorijo na morebitne nevarnosti. Bodite pozorni na varnostne simbole in njihova pojasnila ter jih poskušajte razumeti. Opozorilni simboli sami ne odpravljajo nobene nevarnosti. Navodila in opozorila niso nadomestilo za ustrezne ukrepe za preprečevanje nesreč.

**⚠ OPOZORILO:** poskrbite, da boste pred uporabo orodja prebrali in razumeli vsa varnostna navodila v priročniku z navodili za uporabo, vključno z vsemi simboli za varnostna opozorila, kot so »NEVARNOST«, »OPOZORILO«, in »SVARILLO«. Neupoštevanje spodaj navedenih navodil se lahko odrazi v električnem udaru, požaru in/ali resnih telesnih poškodbah.

SL

## POMEN SIMBOLA



**⚠ OPOZORILO:** Delovanje katerega koli električnega orodja lahko povzroči metanje tujkov v vaše oči, kar lahko povzroči resne poškodbe očesa. Pred začetkom dela z električnim orodjem vedno nosite zaščitna ali varnostna očala s stranskimi zaščitami in po potrebi tudi zaščito za celoten obraz. Priporočamo vam uporabo varnostne maske Wide Vision Safety Mask za uporabo prek očal ali standardnih varnostnih očal s stransko zaščito.

## VARNOSTNA NAVODILA

Na tej strani so prikazani in opisani varnostni simboli, ki se lahko pojavijo na tem izdelku. Preberite in osvojite navodila na stroju ter jih upoštevajte, preden se lotite sestavljanja in upravljanja stroja.

	Varnostno opozorilo	Označuje morebitno nevarnost za telesne poškodbe.
	Preberite priročnik z navodili za uporabo	Za zmanjšanje nevarnosti poškodb je pomembno, da uporabnik pred uporabo tega izdelka prebere priročnik za uporabo in ga razume.
	Nosite zaščito za oči	Pri upravljanju tega izdelka vedno nosite zaščitna očala ali varnostna očala s stransko zaščito in ščitnik za obraz.
	CE	Ta izdelek je skladen z veljavnimi direktivami ES.
	Odpadna električna in elektronska oprema (OEEO)	Odpadnih električnih izdelkov ne odlagajte med gospodinjne odpadke. Odnosite jih v pooblaščen obrat za recikiranje.
	Ne izpostavljajte dežju	Naprave ne uporabljajte v dežju ali je puščajte zunaj, ko dežjuje.
IPX5	Simbol IP	5. stopnja zaščite pred vdorom vode
V	Volt	Napetost
mm	Milimeter	Dolžina ali velikost
cm	Centimeter	Dolžina ali velikost
kg	Kilogram	Teža
	Enosmerni tok	Vrsta ali značilnost toka

**⚠ OPOZORILO:** Preberite vsa varnostna opozorila, označena s simbolom in vsa navodila.

Vsa opozorila in navodila shranite za kasnejšo uporabo.

Izraz »električno orodje« v opozorilih se nanaša na orodja, ki jih poganja električni tok (žična), ali na baterijska (brežžična) orodja.

**⚠ Splošna varnostna opozorila za električna orodja - varnost delovnega območja.**

- Delovno območje naj bo čisto in dobro osvetljeno. Na neurejenih ali temnih območjih se hitro zgodijo nesreče.
- Električnih orodij ne upravljajte v eksplozivnih atmosferah, kot npr. ob prisotnosti vnetljivih tekočin, goriva ali prahu. Električno orodje ustvarja iskre, ki lahko povzročijo vžig prahu ali hlapov.
- Med uporabo električnega orodja v bližino ne pustite otrok in drugih ljudi. Zaradi motenj lahko izgubite nadzor.

**⚠ Splošna varnostna opozorila za električna orodja - električna varnost.**

- Vtiči električnih orodij se morajo prilegati vtičnicam. Vtiča ne smete nikoli spreminjati na kakršen koli način. Z ozemljenimi električnimi orodji ne uporabljajte adapterjev. Nespremenjeni vtiči in pripadajoče vtičnice bodo zmanjšali tveganje električnega udara.
- Izogibajte se telesnemu stiku z ozemljenimi površinami, kot so cevi, radiatorji, štedilniki in hladilniki. Če je vaše telo ozemljeno, obstaja povečano tveganje električnega udara.
- Orodja ne izpostavljajte dežju ali vlažnim vremenskim pogojem. Če v električno orodje zaide voda, obstaja večja možnost električnega udara.
- Ne poškodujte električnega kabla. Kabla nikoli ne uporabljajte za nošenje, vlečenje ali odkapljanje električnega orodja. Kabel hranite stran od vročine, olja, ostrih robov ali premikajočih se delov. Poškodovani ali zapleteni kabli zvišujejo tveganje električnega udara.
- Med zunanjo uporabo električnega orodja uporabljajte podaljšek, ki je primeren za zunanjo uporabo. Uporaba kabla, primerne za zunanjo uporabo, znižuje tveganje električnega udara.
- Če je uporaba električnega orodja na vlažnem mestu neizogibna, uporabite stikalo za prekinitev napajanja pri najmanjšem okvarnem toku. Uporaba stikala bo zmanjšala nevarnost električnega udara.

**⚠ Splošna varnostna opozorila za električna orodja - osebna varnost.**

- Med uporabo električnega orodja bodite pozorni, spremljajte potek dela in uporabljajte zdrav razum. Električnega orodja ne uporabljajte, kadar ste utrujeni ali pod vplivom drog, alkohola ali zdravil. Trenutek nepazljivosti med uporabo električnega orodja lahko povzroči hude telesne poškodbe.

- Uporabljajte osebno varovalno opremo. vedno uporabljajte zaščito za oči. Če v različnih okoliščinah nosite ustrezno zaščitno opremo, kot so maska proti prahu, obutev z nedrsečim podplatom, trdno pokrivalo glave in zaščita za sluh, zmanjšate možnost telesnih poškodb.
- Preprečite neželen zagon. Pred priklopom na vir napajanja in/ali priklopom baterijskega sklopa ter pred dvigovanjem ali nošenjem orodja se prepričajte, da je stikalo v položaju za izklop. Prenajanje električnih orodij s prstom na stikalu ali napajanje električnih orodij, pri katerih je stikalo v položaju za vklop, povzroči telesne poškodbe.
- Pred vklopom električnega orodja odstranite morebitne nastavitvene ključe ali viličaste ključe. Viličasti ali drug ključ, ki je pritrjen na vrtljivi del električnega orodja, lahko povzroči telesne poškodbe.
- Ne stegujte se preveč. Pazite, da ves čas stojite stabilno in ohranjate ravnotežje. To omogoča boljši nadzor nad električnim orodjem v nepričakovanih situacijah.
- Bodite primerno oblečeni. Ne nosite ohlapnih oblačil ali nakita. Pazite, da lasje, oblačila in rokavice ne pridejo v bližino gibljivih delov. Ohlapna oblačila, nakit ali dolgi lasje se lahko zapletejo v gibljive dele.
- Če imate na voljo naprave za sesanje in zbiranje prahu, preverite, ali so priključene in ali se ustrezno uporabljajo. Uporaba naprav za odstranjevanje prahu lahko zmanjša nevarnosti, povezane s prahom.
- Čeprav dobro poznate orodje zaradi pogoste uporabe, ne postanite ravnodušni in ne prezirajte varnostnih načel orodja. Nepazljivost pri uporabi lahko povzroči hude telesne poškodbe v delcu sekunde.

**⚠ Splošna varnostna opozorila za električna orodja - Uporaba in vzdrževanje električnega orodja.**

- Električnega orodja ne preobremenjujte. Uporabite električno orodje, ki je primerno za vaše delo. Ustrezno električno orodje bo nalogo opravilo bolje in varneje pri zmogljivosti, za katero je bilo zasnovano.
- Ne uporabljajte električnega orodja, če ga ni mogoče vklopiti in izklopiti s stikalom. Kakršno koli električno orodje, ki ga ni mogoče nadzirati s stikalom, je nevarno in ga je potrebno popraviti.
- Odklopite vtič iz vira napajanja in/ali baterije, preden opravite kakršne koli prilagoditve, menjate dodatke ali shranjujete električno orodje. Tovrstni preventivni varnostni ukrepi zmanjšujejo tveganje nenamernega zagona električnega orodja.
- Električna orodja, ki niso v uporabi, shranjujte izven dosega otrok in ne dovolite, da bi električno orodje uporabljale osebe, ki niso seznanjene z električnim orodjem ali s temi navodili. Električno orodje je v rokah neusposobljenih uporabnikov nevarno.

SL

- **Vzdrževanje orodja.** Preverite morebitno nepravilnost ali povezavo premikajočih se delov, zlome delov ali morebitno drugačno stanje, ki bi lahko vplivalo na delovanje električnega orodja. Če je električno orodje poškodovano, ga pred ponovno uporabo nesite na popravilo. Mnogo nesreč se pripeti zaradi slabo vzdrževanih električnih orodij.
- **Rezalna orodja naj bodo vedno nabrušena in čista.** Pravilno vzdrževana rezalna orodja z ostrimi rezili se težje zaskočijo in jih je lažje nadzirati.
- **Električno orodje, dodatke, dele orodja itd. uporabljajte v skladu s temi navodili, pri tem pa upoštevajte delovne pogoje in delo, ki ga boste opravljali.** Če boste električno orodje uporabljali za neustrezne namene, lahko pride do nevarnih situacij.
- **Ročaji in prijemalne površine naj bodo suhe, čiste in brez madežev olja ali masti.** Drseči ročaji in prijemalne površine ne omogočajo varnega ravnanja in nadzorovanja orodja v nepričakovanih situacijah.
- Ta teleskopska napajalna palica PPX1000 s 56 volti se lahko uporablja le z naslednjimi priključki EGO ali ga EGO pozneje predstavi za uporabo s to teleskopsko napajalno palico:

TIP PRIKLJUČKA	ŠTEVILKA MODELA
Priključek z obrezovalnikom žive meje	PTX5100
Priključek za višinski obrezovalnik	PSX2500

SL

## ⚠ Splošna varnostna opozorila za električna orodja - Uporaba in vzdrževanje baterijskega orodja.

- **Baterijo polnite le s polnilnikom, ki ga določa proizvajalec.** Polnilnik, ki je primeren za eno vrsto baterijskega sklopa, morda lahko povzroči nevarnost požara, če z njim polnite drugo vrsto baterijskega sklopa.
- **Baterijska orodja uporabljajte samo s predpisano vrsto baterijskih sklopov.** Uporaba katerih koli drugih baterijskih sklopov lahko povzroči tveganje za telesne poškodbe in požar.
- **Ko baterijski sklop ni v uporabi, ga hranite ločeno od kovinskih predmetov, kot so sponke za papir, kovanci, ključi, žebliji, vijaki ali drugi majhni kovinski predmeti, ki lahko povzročijo stik med enim in drugim terminalom.** Kratak stik zaradi povezanih kontaktov baterije lahko povzroči opekline ali požar.
- **Ob zlorabi baterije lahko iz nje brizgne tekočina, stik s katero preprečite. Če se nehote dotaknete tekočine, mesto stika sperite z vodo. Če pride tekočina v stik z očmi, poleg tega poiščite zdravstveno pomoč.** Tekočina, ki brizgne iz baterije, lahko povzroči draženje ali opekline.

- **Baterijskega sklopa ali orodja, ki je poškodovano ali spremenjeno, ne uporabljajte.** Poškodovane ali spremenjene baterije se lahko nepredvidljivo vedejo, kar lahko povzroči požar, eksplozijo ali tveganje telesnih poškodb.
- **Baterijskega sklopa ali orodja ne izpostavljajte ognju ali previsokim temperaturam.** Izpostavljenost ognju ali temperaturam nad 130 °C lahko povzroči eksplozijo.
- **Upoštevajte vsa navodila za polnjenje in baterijskega sklopa ali orodja ne polnite izven temperaturnega razpona, navedenega v navodilih.** Zaradi nepravilnega polnjenja ali temperature zunaj navedenega razpona lahko pride do poškodb baterije in povečanega tveganja za požar.

## ⚠ Splošna varnostna opozorila za električna orodja - storitve.

- **Električno orodje naj servisira usposobljeno servisno osebje, ki uporablja le enake nadomestne dele.** To bo zagotovilo ohranjanje varnosti električnega orodja.
- **Nikoli ne popravljajte poškodovanih baterijskih sklopov.** Baterijske sklope lahko popravi le proizvajalec ali pooblaščen izvajalec servisiranja.
- Če pride do situacij, ki niso zajete v tem priročniku, bodite pazljivi in uporabite dobro presojo. Za pomoč stopite v stik servisnim centrom EGO.

## TA NAVODILA SHRANITE

## DODATNA SPECIFIČNA VARNOSTNA PRAVILA NAJDETE V PRIROČNIKU Z NAVODILI USTREZNEGA PRIKLJUČKA

## TEHNIČNI PODATKI

Napetost	56 V
Priporočena delovna temperatura:	Od 0 °C do 40 °C
Priporočena temperatura za shranjevanje	Od -20 °C do 70 °C
Teža	3,9 kg

## OPIS

### POZNAJTE SVOJO TELESKOPSKO NAPAJSALNO PALICO (sl. A)

1. Zadnji ročaj
2. Zaklepni jeziček
3. Nosilna vstavitvena odprtina
4. Sprednji ročaj
5. Vpenjalni gumb
6. Gumb za sprostitvev gredi
7. Gumb za zaklep

8. Spojka
9. Izvlečna cev
10. Sprožilec za nastavitve števila vrtljajev
11. Podpora za orodje
12. Ramenski pas
13. Mehanizem za izmet
14. Zapah
15. Gumb za sprostitve baterije
16. Nosilec ključa
17. Kombiniran ključ

## VSEBINA PAKETA (SL. A)

### SESTAVLJANJE

**⚠ OPOZORILO:** Če so deli poškodovani ali manjkajo, orodja ne uporabljajte, dokler ne zamenjate delov. Če ta izdelek uporabljate s poškodovanimi ali manjkajočimi deli, lahko pride do hudih telesnih poškodb.

**⚠ OPOZORILO:** pri nameščanju delov, opravljanju prilagoditev, čiščenju ali kadar izdelek ni v uporabi vedno odstranite baterijski sklop.

#### PRITRJEVANJE PRITRDNITVE NA TELESKOPSKO NAPAJSALNO PALICO

**⚠ OPOZORILO:** prebrati in razumeti morate celoten priročnik z navodili za vsako izbirno pritrnitev, ki je uporabljena na tej teleskopski napajalni palici in sledite vsem opozorilom in navodilom. Neupoštevanje navodil lahko vodi do električnega udara, požara in/ali resnih telesnih poškodb.

**⚠ OPOZORILO:** ta teleskopska napajalna palica PPX1000 s 56 volti je zasnovan za uporabo samo z modeli priključkov EGO, ki so navedeni v tem priročniku z navodili ali navodili, ki jih je podjetje EGO objavilo naknadno za uporabo s to teleskopsko napajalno palico. Uporaba drugih nepooblaščenih priključkov lahko povzroči hude telesne poškodbe ali materialno škodo.

**⚠ OPOZORILO:** nikoli ne nameščajte, odstranite ali prilagajate priključkov, če teleskopska napajalna palica deluje oziroma je nameščena baterija. Če ne zaustavite motorja in odstranite baterije, lahko pride do hudih telesnih poškodb.

Priključek je priključen na teleskopsko napajalno palico s pomočjo spojnika.

1. Ustavite motor in odstranite baterijski sklop.
2. Zrahljajte gumb za zaklep.

3. Poravnajte puščico na priključni gredi s kazalnikom poravnave na spojniku in potiskajte priključno gred v spojnik, dokler ne zaslišite jasnega »klika«, spojnik bi moral biti na poziciji referenčne črte na gredi, da je priključna gred primerno na svojem mestu. (sl. B).

B-1	Gumb za sprostitvev gredi	B-4	Referenčna črta
B-2	Kazalnik poravnave	B-5	Gumb za zaklep
B-3	Oznaka puščice		

4. Povlecite gred priključka, da se prepričate, da je čvrsto nameščena v spojniku. Če ni, pritisnite priključno gred v spojniku, dokler se ne zaskoči.
5. Čvrsto privijte gumb za zaklep.

**⚠ OPOZORILO:** pred uporabo opreme preverite, ali je gumb za zaklep povsem privit. Med uporabo opreme redno preverjajte, ali je vijak dovolj privit, da prepreči hude telesne poškodbe.

#### ODSTRANJEVANJE PRIKLJUČKA S TELESKOPSKO NAPAJSALNE PALICE

1. Ustavite motor in odstranite baterijski sklop.
2. Zrahljajte gumb za zaklep.
3. Pritisnite gumb za sprostitvev osi in ko je gumb pritisnjen povlecite ročico dodatka iz spojke.

#### NAMEŠČANJE RAMENSKEGA PASU (sl. C)

Pritisnite kavelj pasu, da ga odprete, in ga pričvrstite nosilno vstavitevno odprtino.

#### IZVLEČNA CEV, KI JO JE MOGOČE PODALJŠATI

Orodje je opremljeno z izvlečno cevjo, ki se podaljša na 960 mm (popolnoma podaljšana).

Vpenjalni gumb drži izvlečno cev na mestu na kateri koli podaljšani dolžini.

1. Če želite podaljšati izvlečno cev, zrahljate vpenjalni gumb tako, da sledite njegovi ikoni za odklepanje. Izvlečna cev bo prosto drsela (sl. D)

D-1	Vpenjalni gumb	D-2	Prikaz najvišje meje
-----	----------------	-----	----------------------

2. Izvlecite izvlečno cev na zeleno dolžino podaljšanja.
3. Če izvlečno cev želite zakleniti na položaj, zategnite vpenjalni gumb tako, da sledite njegovi ikoni za zaklepanje.

**⚠ OPOZORILO:** če si priščipnete roko ali prste, prosimo, bodite previdni pri vsakem koraku

## UPRAVLJANJE

**⚠ OPOZORILO:** tudi če se dodobra seznanite s tem izdelkom, bodite pri ravnanju z njim pazljivi. Upošteвайте, da je samo delček sekunde nepazljivosti dovolj, da pride do hude telesne poškodbe.

**⚠ OPOZORILO:** vedno uporabljajte zaščito za oči. V nasprotnem primeru vam lahko v oči priletijo predmeti ali pride do drugih hudih telesnih poškodb.

**⚠ OPOZORILO:** Ne uporabljate priključkov ali dodatkov, ki jih proizvajalec tega izdelka ne priporoča. Uporaba priključkov ali dodatkov, ki niso priporočeni, lahko povzroči hude telesne poškodbe.

## NAMEŠČANJE/ODSTRANJEVANJE BATERIJSKEGA SKLOPA

**OPOMBA:** pred prvo uporabo popolnoma napolnite baterijski sklop.

### Namestititev

Rebra baterije poravnajte z režami za namestitiv in baterijski sklop potisnite navzdol, da zaslisiš »klik« (slika E).

E-1	Reža za montažo	E-2	Rebro
-----	-----------------	-----	-------

### Odstranitev

Pritisnite gumb za sprostitev baterije in izvlecite baterijski sklop (slika F).

**⚠ OPOZORILO:** med prenašanjem ali transportom orodja vedno odstranite baterijski sklop in se z rokami ne približujte zaklepnemu jezičku in sprožilni, da se izognete hudim telesnim poškodbam.

### RAMENSKI PAS

Za varno in boljše delovanje si preko rame nadenite ramenski pas, kot je prikazano na sliki G, da zmanjšate težo z rok upravitelja. Ramenski pas nastavite v udoben položaj za upravljanje.

Obstajata dva načina za sprostitev pasu. Neposredno ga snemite z ramena (slika H) ali pa pritisnite kavelj pasu in ga odstranite z nosilne vstavitvene odprtine, ki je pritrjena na gredi (slika I).

**⚠ OPOZORILO:** Ramenski pas je tudi hiter mehanizem za sprostitev v nevarnih situacijah. V nujnih primerih ga nemudoma snemite z rame, ne glede na to, kako je vstavljen.

### DRŽANJE TELESKOPSKE NAPAJSKE PALICE

Teleskopska napajalna palica je opremljena z naprednim dvojnimi sprožilnim sistemom (sl. J). Vsak sprožilni sistem lahko samostojno vklopi ali izklopi orodje. Ta inovativna

metoda dvojnega nadzora zagotavlja najbolj ergonomsko delovanje pri vsakodnevnih težkih opravilih. (Sl. K in L)

## ZAGON/ZAUSTEVITEV TELESKOPSKE NAPAJSKE PALICE

### Zagon teleskopske napajalne palice

Zaklepni jeziček premaknite naprej in pritisnite sprožilec za nastavitev števila vrtljajev, da vklopite teleskopsko napajalno palico. Pod večjim pritiskom kot je sprožilec za nastavitev števila vrtljajev, večja je hitrost priključka glave

### Zaustavitev

Sprostite sprožilec za nastavitev števila vrtljajev in zaklepni jeziček.

## VZDRŽEVANJE

**⚠ OPOZORILO:** za popravila uporabljajte le identične nadomestne dele. Stroj redno pregledujte in vzdržujte. Za zagotovitev varnosti in zanesljivosti mora vsa popravila izvesti usposobljen servisni tehnik.

**⚠ OPOZORILO:** pred pregledom, čiščenjem ali popravilom enote zaustavite motor, počakajte, da se zaustavijo vsi premikajoči se deli, in odstranite baterijski sklop. Neupoštevanje teh navodil lahko povzroči hude telesne poškodbe ali materialno škodo.

**⚠ OPOMBA:** pred vsako uporabo celoten izdelek pregledajte za poškodovane, manjkajoče ali zrahljanje dele, kot so vijaki, matice, pokrovi itd. Vsa zapirala in pokrove trdno privijte in izdelka ne uporabljajte dokler ne zamenjate manjkajočih ali poškodovanih delov. Obrnite se na službo za pomoč strankam ali kvalificiranega serviserja.

### SPLOŠNO VZDRŽEVANJE

Pri čiščenju plastičnih delov ne uporabljajte topil. Večina vrst plastike se lahko pri uporabi različnih komercialnih topil poškoduje. Umazanijo, prah, olje, maščobe itd. odstranite s čisto krpo.

### ČIŠČENJE TELESKOPSKE NAPAJSKE PALICE

1. Ustavite motor in odstranite baterijski sklop.
2. Očistite umazanijo in ostanke s teleskopske napajalne palice z vlažno krpo in blagim detergentom.

**OPOMBA:** za čiščenje plastičnega ohišja ali ročaja ne uporabljajte močnih čistilnih sredstev. Poškodujejo ga lahko določena aromatična olja, kot sta olje bora in limone.

### SHRANJEVANJE TELESKOPSKE NAPAJSKE PALICE



1. Pred shranjevanjem iz teleskopske napajalne palice odstranite baterijski sklop.
2. S teleskopske napajalne palice odstranite vse tujke.
3. Napravo shranjujte v prostoru, ki je nedostopen otrokom.
4. Orodja ne shranjujte v bližini korozivnih sredstev, kot so vrtno kemikalije in soli za topljenje ledu.

**Varovanje okolja**

Električne opreme, polnilnika baterij in baterij/polnilnih baterij, ne odvrzite med gospodinjske odpadke!

**ODPRAVLJANJE TEŽAV**

Oglejte si priročnik z navodili ustreznega priključka.

**GARANCIJA****GARANCIJSKA POLITIKA DRUŽBE EGO**

Za popolne pogoje garancijske politike družbe EGO obiščite spletno mesto [egopowerplus.com](http://egopowerplus.com).

## PERSKAITYKITE VISĄ INSTRUKCIJĄ!



### PERSKAITYKITE NAUDOJIMO INSTRUKCIJĄ

**⚠ Liekamasis pavojus!** Žmonėms, kuriems implantuoti elektroniniai prietaisai, pvz., širdies stimulatoriai, prieš pradėdami naudoti šį gaminį, reikia pasitarti su savo gydytoju (-ais). Arti širdies stimulatoriaus veikiantis elektros įranga gali trikdyti širdies stimulatoriaus veikimą arba jį sugadinti.

**⚠ ĮSPĖJIMAS:** norint užtikrinti saugų ir patikimą gaminio naudojimą, visus remonto ir keitimo darbus turi atlikti kvalifikuotas techninės priežiūros specialistas.

## SAUGOS SIMBOLIS

Saugos simbolių paskirtis – atkreipti dėmesį į galimus pavojus. Gerai susipažinkite su saugos simboliais bei jų paaikškinimais ir juos įsidėmėkite. Simbolių įspėjimai patys savaime negali apsaugoti nuo pavojų. Jais žymimi nurodymai ir įspėjimai neatstoja tinkamų nelaimingų atsitikimų prevencijos priemonių.

**⚠ ĮSPĖJIMAS:** Prieš pradėdami naudoti šį įrankį, perskaitykite visus šioje naudojimo instrukcijoje pateiktus saugos nurodymus, taip pat susipažinkite su visais saugos įspėjimaisiais simboliais, tokiais kaip **PAVOJUS**, **ĮSPĖJIMAS** ir **DĖMESIO** ir įsitikinkite, ar juos supratote. Nesilaikant visų toliau išdėstytų nurodymų galima patirti elektros smūgį, sukelti gaisrą ir (ar) sunkiai susižaloti.

## SIMBOLIO REIKŠMĖ



**⚠ ĮSPĖJIMAS:** bet koks elektrinis įrankis naudojimo metu gali išsviesti šiukšles, kurios gali pataikyti į akis ir sunkiai jas sužaloti. Prieš pradėdami naudoti elektrinį įrankį, visada užsidėkite apsauginius akinius arba apsauginius akinius su šonine apsauga ir, jei reikia, visą veidą dengiantį skydelį. Rekomenduojame naudoti platų matymo lauką užtikrinančią apsauginę kaukę, dedamą ant akinių, arba standartinius apsauginius akinius su šonine apsauga.

## SAUGOS NURODYMAI

Šiame puslapyje pavaizduoti ir aprašyti saugos simboliai, kurie gali būti nurodyti ant šio gaminio. Prieš bandydami surinkti ir naudoti įrenginį, perskaitykite visus ant jo pateiktus nurodymus, įsitikinkite, ar juos supratote, ir jais vadovaukitės.

	Įspėjimas dėl saugos	Nurodo galimą susižalojimo pavojų.
	Skaityti naudojimo instrukciją	Kad sumažintų susižalojimo pavojų, prieš naudodamas šį gaminį naudotojas turi perskaityti naudojimo instrukciją ir įsitikinti, kad ją suprato.
	Užsidėti apsauginius akinius	Naudodami šį gaminį, visada užsidėkite apsauginius akinius arba apsauginius akinius su šonine apsauga ir visą veidą dengiantį skydelį.
	CE	Šis gaminys atitinka taikomas EB direktyvas.
	WEEE	Netinkamas naudoti elektros prietaisus draudžiama išmesti kartu su buitinėmis atliekomis. Pristatyti įgiotam perdirbėjui.
	Saugoti nuo lietaus	Nenaudoti lyjant ir nepalikti lauke per lietų.
	IPX5	IP simbolis
	Voltai	Įtampa
	mm	Milimetrai
	cm	Centimetrai
	kg	Kilogramai
	Nuolatinė srovė	Srovės tipas arba charakteristika

**⚠ ĮSPĖJIMAS:** Perskaitykite visus įspėjimus dėl saugos, pažymėtus **⚠** simboliu, ir visą instrukciją.

**Išsaugokite visas instrukcijas su įspėjimais, nes jų gali prireikti ateityje.**

Įspėjimuose vartojamu terminu „elektrinis įrankis“ nurodomas iš elektros lizdo maitinamas (laidinis) arba baterija maitinamas (belaidis) elektrinis įrankis.

### **⚠ Bendrieji įspėjimai dėl elektrinio įrankio saugos – darbo zonos sauga.**

- Darbo vieta turi būti švari ir gerai apšviesta. Jei darbu vieta netvarkinga ar blogai apšviesta, gali įvykti nelaimingas atsitikimas.
- Nedirbkite su elektriniais įrankiais sprogoje aplinkoje, pvz., ten, kur yra degių skysčių, benzino arba dulkių. Elektriniai įrankiai gali kibirkščiuoti, o nuo kibirkščių gali užsidegti dulksės arba susikaupę garai.
- Dirbdami su elektriniu įrankiu, neleiskite artintis vaikams ir pašaliniais asmenims. Dėl dėmesio blaškymo galite nesuvaldyti įrankio.

### **⚠ Bendrieji įspėjimai dėl elektrinio įrankio saugos – elektrosauga.**

- Elektrinio įrankio kištukas turi tikti elektros lizdui. Niekada nebandykite kištuko perdaryti. Įžemintiems elektriniams įrankiams nenaudokite jokių kištukų adapterių. Originalūs kištukai, tiksliai tinkantys elektros tinklo lizdui, sumažina elektros smūgio pavojų.
- Nesilieskite prie įžemintų paviršių, pavyzdžiui, vamzdžių, radiatorių, viryklių ir šaldytuvų. Jei jūsų kūnas bus įžemintas, padidės elektros smūgio pavojus.
- Saugokite elektrinius įrankius nuo lietaus ir drėgmės. Į elektrinio įrankio vidų patekus vandeniui padidėja elektros smūgio pavojus.
- Atsargiai elkitės su maitinimo laidu. Niekada neneškite ir netempkite elektrinio įrankio, laikydami už maitinimo laido. Netraukite laikydami už maitinimo laido, norėdami ištraukti kištuką iš elektros lizdo. Saugokite laidą nuo kaitros šaltinių, alyvos, aštrių briaunų ir judančių dalių. Pažeidus arba supainiojus laidus išauga pavojus patirti elektros smūgį.
- Kai elektriniu įrankiu dirbate lauke, naudokite laukui skirtą laido ilgintuvą. Naudojant laukui skirtą maitinimo laidą, sumažėja pavojus patirti elektros smūgį.
- Jei nėra galimybės išvengti elektrinio įrankio naudojimo drėgnoje vietoje, naudokite maitinimo šaltinį, apsaugotą nuotėkio rele. Nuotėkio relė sumažina pavojų patirti elektros smūgį.

### **⚠ Bendrieji įspėjimai dėl elektrinio įrankio saugos – asmeninė sauga.**

- Dirbdami su elektriniu įrankiu būkite budrūs, stebėkite, ką darote, ir vadovaukitės sveika nuovoka. Nedirbkite su elektriniu įrankiu, jei esate pavargę, apsvaigę nuo narkotinių medžiagų, alkoholio arba vaistų. Dirbant su elektriniais įrankiais pakanka vienos neatidumo akimirkos ir galima sunkiai susižaloti.
- Naudokite asmenines apsaugos priemones. Visada būkite su apsauginiais akiniais. Naudojant asmenines saugos priemones, pvz., apsaugos nuo dulkių kaukę,

neslystančius batus, apsauginį šalną ar klausos apsaugos priemones, rekomenduojamas dirbant tam tikromis sąlygomis, sumažėja pavojus susižaloti.

- **Apsisaugokite nuo atsitiktinio įrankio įsijungimo.** Prieš jungdami prie maitinimo šaltinio ir (ar) sudėtinės baterijos, prieš įrankį keldami arba nešdami įsitikinkite, kad jungiklis yra išjungimo padėtyje. Nešant elektrinius įrankius uždėjus pirštą ant jungiklio arba netyčia įjungiant elektrinį įrankį su įjungtu jungikliu, gali įvykti nelaimingas atsitikimas.
- Prieš įjungdami elektrinį įrankį, patraukite į šalį visus reguliavimo raktus ir veržliarakčius. Elektrinio įrankio sukamojoje dalyje likus raktui ar veržliarakčiui galima susižaloti.
- Nesistenkite pasiekti pernelyg toli. Visada stovėkite tvirtai ir išlaikykite pusiausvyrą. Tuomet geriau suvaldysite elektrinį įrankį netikėtose situacijose.
- Dėvėkite tinkamus drabužius. Nedėvėkite laisvų drabužių ir nenešiotkite laisvai kabančių papuošalų. Saugokite plaukus, drabužius ir pirštines nuo judamų prietaiso dalių. Laisvus drabužius, papuošalus ar ilgus plaukus gali įtraukti besisukančios dalys.
- Jei yra įtaisai, skirti dulkių išsiurbimo ir surinkimo įtaisams prijungti, tinkamai juos prijunkite ir naudokite. Naudojant dulkių filtravimo įtaisus galima sumažinti kenksmingą dulkių poveikį.
- Dažnai naudojami įrankius pernelyg savi nepasitikėkite ir neparaskite budrumo, kad paisytumėte saugaus įrankio naudojimo taisyklių. Užtenka akimirkos, kad dėl neatsargaus veiksmo sunkiai susižalotumėte.

### **⚠ Bendrieji įspėjimai dėl elektrinio įrankio saugos – elektrinio įrankio naudojimas ir priežiūra.**

- Elektrinio įrankio pernelyg nespaukite. Naudokite jūsų darbiui tinkamą elektrinį įrankį. Veikdamas numatytuju greičiu, tinkamas elektrinis įrankis darba atlieka veiksmingiau ir saugiau.
- Nenaudokite elektrinio įrankio, jeigu jo negalima įjungti ar išjungti jungikliu. Bet koks elektrinis įrankis, kurio jungiklis neveikia, yra pavojingas, tad jį būtina sutaisyti.
- Prieš keisdami bet kokius elektrinio įrankio nustatymus ir priedus ar padėdami jį į sandėlį, atjunkite kištuką nuo maitinimo šaltinio ir (ar) sudėtinę bateriją nuo elektrinio įrankio. Ši saugumo priemonė apsaugos jus nuo netyčinio elektrinio įrankio įjungimo.
- Nenaudojamus elektrinius įrankius laikykite vaikams neprieinamoje vietoje. Su elektriniu įrankiu neleiskite dirbti asmenims, nesusipažinusiems su įrankiu arba šia instrukcija. Neapmokytų naudotojų naudojami elektriniai įrankiai kelia pavojų.

- Rūpinkitės savo elektrinių įrankių būkle. Tikrinkite, ar sukamos jų dalys išcentruotos ir nestringa, ar nėra sulūžusių dalių ir kitų sąlygų, galinčių turėti įtakos elektrinio įrankio veikimui. Jei elektrinis įrankis sugedęs, prieš naudodami jį suremontuokite. Daugelio nelaimingų atsitikimų priežastis yra netinkama elektrinių įrankių priežiūra.
- Pjovimo įrenginiai turi būti aštrūs ir švarūs. Tinkamai prižiūrimi pjovimo įrankiai aštriais ašmenimis rečiau stringa ir lengviau valdomi.
- Elektrinį įrankį, priedus, antgalius ir kitas dalis naudokite pagal šią instrukciją, atsižvelgdami į darbo sąlygas ir atliekamą darbą. Naudojant elektrinius įrankius ne pagal paskirtį gali susidaryti pavojingos situacijos.
- Įrankių rankenos ir sugriebimo paviršiai turi būti sausi, švarūs ir neištepti alyva ar tepalu. Dėl slidžių rankenų ir sugriebimo paviršių įrankį sunku saugiai valdyti ir jis gali išsprūsti netikėtomis aplinkybėmis.
- Šią 56 V elektrinę galvutę su sustumiamu kotu PPX1000 galima naudoti tik su toliau lentelėje nurodytais EGO įtaisais arba su kitais įtaisais, kuriuos EGO ateiityje išleis ir patvirtins, kad jie tinka naudoti su šia elektrine galvute:

ĮTAISO TIPAS	MODELIO NUMERIS
Gyvatvorių žirklių įtaisas	PTX5100
Aukštapijovės įtaisas	PSX2500

**⚠ Bendrieji įspėjimai dėl elektrinio įrankio saugos – akumuliatorinio įrankio naudojimas ir priežiūra.**

- Kraukite naudodami tik gamintojo nurodytą įkroviklį. Naudojant įkroviklį, skirtą kito tipo sudėtinei baterijai, gali kilti gaisro pavojus.
- Elektrinius įrankius naudokite tik su jiems skirtomis sudėtinėmis baterijomis. Naudojant kitokias sudėtines baterijas gali kilti sužalojimų ir gaisro pavojus.
- Nenaudojama sudėtinė baterija turi būti laikoma atokiau nuo metalinių objektų, tokių kaip sąvaržėlės, monetos, raktai, viny, varžtai ar kiti metaliniai daiktai, galintys sujungti abu baterijos gnybtus. Įvykus trumpajam jungimui tarp baterijos gnybtų galima nusideginti ar gali kilti gaisras.
- Dėl netinkamų sąlygų iš baterijos gali ištekėti skystis – nelieskite jo. Skystičiui atsitiktinai patekus ant odos, nedelsiant nuplaukite vandeniu. Jeigu skystis pateko į akis, kreipkitės ir į gydytojus. Iš baterijos ištekėjęs skystis gali dirginti arba nudeginti.
- Nenaudokite pažeistos ar modifikuotos sudėtinės baterijos ar įrankio. Tokios netinkamos sudėtinės baterijos gali kelti gaisro, sprogdimo ar sužalojimo pavojų.

- Sudėtinės baterijos ar įrankio negalima deginti ar kaitinti. Bateriją deginant ar įkaitinus virš 130 °C ji gali sprogti.
  - Laikykitės įrankio ar sudėtinės baterijos įkrovimo instrukcijų ir įkrovimą vykdykite nurodytame temperatūrų diapazone. Priešingu atveju galite sugadinti sudėtinę bateriją ar net sukelti gaisrą.
- ⚠ Bendrieji įspėjimai dėl elektrinio įrankio saugos – techninė priežiūra.**

- Jūsų elektrinio įrankio techninės priežiūros darbus gali vykdyti tik kvalifikuotas remonto meistras, naudodamas tik identiškas atsargines dalis. Tokiu būdu elektrinis įrankis išliks saugus.
- Niekada neremontuokite sugadintos sudėtinės baterijos. Tokias baterijas remontuoti gali tik gamintojas arba įgalioto techninės priežiūros centro specialistai.
- Susidariusi šioje instrukcijoje neaprašyti situacijai, būkite atsargūs ir vadovaukitės sveika nuovoka. Pagalbos kreipkitės į EGO techninės priežiūros centrą.

## IŠSAUGOKITE ŠIĄ INSTRUKCIJĄ

**PAPILDOMAS SAUGOS TAISYKLES GALITE RASTI NAUDOJAMO ĮTAISO NAUDOJIMO INSTRUKCIJOJE**

## TECHNINIAI DUOMENYS

Įtampa	56 V $\overline{\text{---}}$
Rekomenduojama darbinė temperatūra:	0–40 °C
Rekomenduojama sandėliavimo temperatūra	-20–70 °C
Svoris	3,9 kg

## APRAŠYMAS

**PAŽINKITE SAVO ELEKTRINĘ GALVUTĘ SU SUSTUMIAMU KOTU (A pav.)**

1. Galinė rankena
2. Fiksavimo liežuvelis
3. Nešimo aša
4. Priekinė rankena
5. Suveržimo rankenėlė
6. Veleno atjungimo mygtukas
7. Fiksavimo rankenėlė
8. Jungiamoji mova
9. Sustumiamas vamzdis
10. Greičio reguliavimo jungiklis
11. Įrankio atrama
12. Peties diržas
13. Išstūmimo mechanizmas
14. Fiksatorius
15. Baterijos atjungimo mygtukas
16. Veržliarakčio laikiklis
17. Universalus raktas

## PAKUOTĖS TURINIO SĄRAŠAS (A PAV.)

### SURINKIMAS

**⚠️ ĮSPĖJIMAS:** jei kurios nors dalys pažeistos arba jų nėra, nenaudokite šio gaminio tol, kol tos dalys nebus pakeistos. Naudojant gaminį su pažeistomis dalimis arba kai jų trūksta, galima sunkiai susižaloti.

**⚠️ ĮSPĖJIMAS:** prieš surinkdami gaminio dalis, reguliuodami, valydami arba jo nenaudodami visada išimkite sudėtinę bateriją.

### ĮTAISO PRIJUNGIMAS PRIE ELEKTRINĖS GALVUTĖS SU SUSTUMIAMU KOTU

**⚠️ ĮSPĖJIMAS:** atidžiai perskaitykite ir supraskite visą kiekvieno pasirinkamo įtaiso, jungiamo prie šios elektrinės galvutės su sustumiamu kotu, naudojimo instrukciją, ir laikykitės visų įspėjimų ir nurodymų. Nesilaikant visų nurodymų galima patirti elektros smūgį, sukelti gaisrą ir (ar) sunkiai susižaloti.

**⚠️ ĮSPĖJIMAS:** šią 56 V elektrinę galvutę su sustumiamu kotu PPX1000 galima naudoti tik su šioje naudojimo instrukcijoje nurodytais EGO įtaisų modeliais arba su kitais įtaisais, kuriuos EGO ateiityje išleis ir patvirtins, kad jie tinka naudoti su šia elektrine galvute. Naudodami kitus, nerekomenduojamus įtaisus galite sunkiai susižaloti arba sugadinti turtą.

**⚠️ ĮSPĖJIMAS:** niekada nebandykite prijungti, atjungti ar reguliuoti įtaisų, kol veikia elektrinė galvutė su sustumiamu kotu arba yra įdėta baterija. Nesustabdę variklio ir neišėmę baterijos galite sunkiai susižaloti.

Įtaisas prie elektrinės galvutės su sustumiamu kotu tvirtinamas naudojant jungiamąjį movą.

1. Išjunkite variklį ir išimkite sudėtinę bateriją.
2. Atsukite fiksavimo rankenėlę.
3. Sulyginkite ant įtaiso veleno esančią rodyklę su rodykle ant jungiamosios movos ir stumkite įtaiso veleną į movą, kol išgirsite spragtelėjimą; jungties linija ant veleno turi atsidurti prie pat movos – tai reiškia, kad įtaiso velenas tinkamai įtvirtintas savo vietoje (B pav.).

B-1	Veleno atjungimo mygtukas	B-4	Jungties linija
B-2	Lygiavimo indikatorius	B-5	Fiksavimo rankenėlė
B-3	Rodyklės žymė		

4. Truktelėkite įtaiso veleną, kad įsitikintumėte, jog jis patikimai užsifiksavo movoje. Jei neužsifiksavo, pasukinėkite įtaiso veleną abiem kryptimis, kol jis užsifiksuos jungiamojoje movoje.
5. Tvirtai užveržkite fiksavimo rankenėlę.

**⚠️ ĮSPĖJIMAS:** prieš paleisdami įrankį patikrinkite, ar fiksavimo rankenėlė tvirtai užveržta. Įrankio naudojimo metu periodiškai tikrinkite užveržimą, kad išvengtumėte sunkių sužalojimų.

### ĮTAISO NUĖMIMAS NUO ELEKTRINĖS GALVUTĖS SU SUSTUMIAMU KOTU

1. Išjunkite variklį ir išimkite sudėtinę bateriją.
2. Atsukite fiksavimo rankenėlę.
3. Paspauskite veleno atjungimo mygtuką ir, neatleisdami mygtuko, ištraukite įtaiso veleną iš movos.

### PETIES DIRŽO PRIKABINIMAS (C pav.)

Spausdami atverkite diržo kabliuką ir užkabinkite jį už nešimo ašos.

### SUSTUMIAMO KOTO PAILGINIMAS

Įrankis yra su sustumiamu kotu, kurį galima pailginti iki 960 mm.

Suveržimo rankenėlė naudojama iki norimo ilgio pailgintam sustumiamam kotui užfiksuoti.

1. Jei sustumiamą kotą norite pailginti, atsukite suveržimo rankenėlę, sukdami į atrakinimo piktogramos pusę. Sustumiamas kotas turi lengvai išsitraukti (D pav.).

D-1	Suveržimo rankenėlė	D-2	Maksimalaus ištraukimo ilgio žymė
-----	---------------------	-----	-----------------------------------

LT

2. Ištraukite sustumiamą kotą iki pageidaujamo ilgio.
3. Kai sustumiamą kotą norite užfiksuoti norimoje padėtyje, priveržkite suveržimo rankenėlę, sukdami į užrakinimo piktogramos pusę.

**⚠️ ĮSPĖJIMAS:** procedūros metu būkite atidūs, kad nesugnybtumėte savo pirštų.

### DARBAS

**⚠️ ĮSPĖJIMAS:** mokėjimas naudotis šiuo įrankiu nesuteikia teisės dirbti nerūpestingai. Atsiminkite, kad trumpam atitraukę dėmesį galite sunkiai susižaloti.

**⚠️ ĮSPĖJIMAS:** visada būkite su apsauginiais akiniais. Nesilaikant šio nurodymo į akis gali pataikyti išsviestos šiukšlės arba galite kitaip sunkiai susižaloti.

**⚠ ĮSPĖJIMAS:** nenaudokite jokių papildomų įtaisų ar priedų, kurių nerekomendavo šio įrankio gamintojas. Naudojant nerekomenduojamus papildomus įtaisus ar priedus galima sunkiai susižaloti.

## SUDĖTINĖS BATERIJOS ĮSTATYMAS IR IŠĖMIMAS

**PASTABA:** prieš naudodami sudėtinę bateriją pirmą kartą iki galo ją įkraukite.

### Įstatymas

Įtaikykite baterijos briaunas į tvirtinimo griovelius ir spauskite bateriją žemyn, kol išgirsite spragtelėjimą (E pav.).

E-1	Tvirtinimo griovelis	E-2	Briauna
-----	----------------------	-----	---------

### Išėmimas

Paspauskite sudėtinės baterijos atjungimo mygtuką ir bateriją ištraukite (F pav.).

**⚠ ĮSPĖJIMAS:** kad sunkiai nesusižalotumėte, prieš nešdami ar gabendami įrankį visada išimkite sudėtinę bateriją ir neikiškite rankų prie fiksavimo liežuvelio ir jungiklio.

### PETIES DIRŽAS

Kad dirbti su įrankiu būtų saugiau ir patogiau, užsidėkite ant peties diržą, kaip pavaizduota G paveiksle – taip sumažinsite rankų apkrovą. Susireguliuokite peties diržą, kad jis atsidurtų patogioje darbinėje padėtyje.

Diržą galite nusiimti dviem būdais. Galite nuimti tiesiai nuo paties (H pav.) arba nuspausti diržo kabliuką ir atkabinti nuo nešimo ašos, pritvirtintos prie veleno (I pav.).

LT

**⚠ ĮSPĖJIMAS:** pavojingoje situacijoje peties diržą galima nusiimti labai greitai. Susidarius tokiai situacijai nedelsdami nusiimkite peties diržą, nepaisydami, kokioje padėtyje jis yra.

### ELEKTRINĖS GALVUTĖS SU SUSTUMIAMU KOTU LAIKYMAS

Elektrinėje galvutėje su sustumiamu kotu įrengta pažangi dviejų jungiklių sistema (J pav.). Kiekviena nepriklausoma jungiklio sistema įrankį gali įjungti ir išjungti. Dėl šios novatoriškos dviejų jungiklių funkcijos sunkiam kasdieniniam darbui galima pasirinkti patogiausią padėtį (K ir L pav.).

### ELEKTRINĖS GALVUTĖS SU SUSTUMIAMU KOTU PALEIDIMAS IR SUSTABDYMAS

#### Elektrinės galvutės su sustumiamu kotu paleidimas

Pastumkite fiksavimo liežuvėlį į priekį ir paspauskite greičio reguliavimo jungiklį, kad įrankį įjungtumėte. Kuo stipriau spausite greičio reguliavimo jungiklį, tuo didesniu greičiu suksis papildomo įtaiso galvutė.

#### Sustabdymas

Atleiskite greičio reguliavimo jungiklį ir fiksavimo liežuvėlį.

## TECHNINĖ PRIEŽIŪRA

**⚠ ĮSPĖJIMAS:** Atlikdami techninės priežiūros darbus, naudokite tik identiškas atsargines dalis. Įrenginį reguliariai tikrinkite ir techniškai prižiūrėkite. Norint užtikrinti saugumą ir patikimumą, visus remonto darbus turi atlikti kvalifikuotas techninės priežiūros specialistas.

**⚠ ĮSPĖJIMAS:** Prieš tikrindami, valydami įrankį ar atlikdami techninę jo priežiūrą sustabdykite variklį, palaukite, kol sustos visos judančios dalys, ir išimkite akumuliatorių. Nesilaikydami šių instrukcijų galite sunkiai arba net mirtinai susižaloti, sugadinti turtą.

**⚠ PASTABA:** Kaskart prieš naudodami gaminį visą jį patikrinkite, ar nesugadintas, ar netrūksta dalių, pavyzdžiui, sraigčių, varžlių, varžtų, dangtelių ir t. t., ar jos neatsilaisvinę. Patikimai priveržkite visas tvirtinimo detales ir dangtelius ir nenaudokite šio gaminio, kol nepakeisite visų trūkstamų ar sugadintų dalių. Susisiekiate su klientų aptarnavimo centru arba kvalifikuotu techninės priežiūros specialistu.

### BENDROJI PRIEŽIŪRA

Plastikinių dalių nevalykite tirpikliais. Įvairūs komerciniai tirpikliai gali pažeisti įvairių tipų plastiką ir jų naudoti nerekomenduojama. Purva, dulkes, alyvą, tepalus ir t. t. valykite švaria šluoste.

### ELEKTRINĖS GALVUTĖS SU SUSTUMIAMU KOTU VALYMAS

1. Išjunkite variklį ir išimkite sudėtinę bateriją.
2. Drėgna šluoste ir mažos koncentracijos plovikliu nuvalykite nuo elektrinės galvutės su sustumiamu kotu nešvarumus ir šiukšles.

**PASTABA:** plastikinėms korpuso arba rankenos dalims valyti nenaudokite jokių koncentruotų ploviklių. Kai kurios aromatinės alyvos (pvz., pušies arba citrinų) gali jas sugadinti.

### ELEKTRINĖS GALVUTĖS SU SUSTUMIAMU KOTU LAIKYMAS

1. Prieš padėdami į sandėlį išimkite iš elektrinės galvutės su sustumiamu kotu sudėtinę bateriją.
2. Nuvalykite nuo įrankio visas pašalines medžiagas.
3. Laikykite vaikams neprieinamoje vietoje.
4. Laikykite toliau nuo esdinančių medžiagų, pvz., sodų chemikalų ir ledo tirpymo druskų.

**Aplinkos apsauga**

Neišmeskite elektros įrangos, akumuliatoriaus įkroviklio ir akumuliatoriaus ar įkraunamo akumuliatoriaus kartu su buitinėmis atliekomis!

**TRIKČIŲ ŠALINIMAS**

Žr. atitinkamo papildomo įtaiso naudojimo instrukcija.

**GARANTIJA****EGO GARANTINĖ POLITIKA**

Norėdami sužinoti visas EGO garantinės politikos sąlygas, apsilankykite interneto svetainėje [egopowerplus.com](http://egopowerplus.com).

## IZLASIET VISUS NORĀDĪJUMUS!



### IZLASIET LIETOTĀJA ROKASGRĀMATU

**⚠ Citi riski!** Personām, kuras lieto elektroniskas ierīces, piemēram, elektrokardiostimulatorus, pirms šīs ierīces lietošanas jākonsultējas ar savu ārstu. Elektriskā aprīkojuma darbība sirds elektrokardiostimulatora tuvumā var radīt stimulatora darbības traucējumus vai kļūmes.

**⚠ BRĪDINĀJUMS!** Lai garantētu drošību un uzticamību, ierīces remontu un tās detaļu nomaiņu uzticiet veikt tikai kvalificētam servisa tehniķim.

## DROŠĪBAS APZĪMĒJUMS

Drošības apzīmējumi ir paredzēti, lai pievērstu jūsu uzmanību iespējamiem apdraudējumiem. Pievērsiet uzmanību drošības apzīmējumiem un to skaidrojumiem, un izprotiet tos. Brīdinājumu apzīmējumi paši par sevi nenovērš apdraudējumu. Tajos ietvertie norādījumi un brīdinājumi neaizstāj atbilstošu negadījumu novēršanas pasākumu īstenošanu.

**⚠ BRĪDINĀJUMS!** Pirms šī instrumenta lietošanas izlasiet un izprotiet visus šajā lietotāja rokasgrāmatā iekļautos drošības norādījumus, tostarp visus drošības brīdinājuma apzīmējumus, piemēram, „**BĪSTAMI!**”, „**BRĪDINĀJUMS!**” un „**UZMANĪBU!**”. Visu turpmāk uzskaitīto norādījumu neievērošana var izraisīt elektriskās strāvas triecienu, aizdegšanos un/vai smagus miesas bojājumus.

## SIMBOLA NOZĪME



**⚠ BRĪDINĀJUMS!** Jebkura elektroinstrumenta lietošanas laikā acis var iekļūt svešķermenī, kas var radīt smagu acu traumu. Pirms elektroinstrumenta ieslēgšanas vienmēr uzvelciet aizsargbrilles vai aizsargbrilles ar sānu aizsargiem un, ja nepieciešams, pilnu sejas aizsargmasku. Iesakām izmantot aizsargmasku ar plašu skata laukumu, ko uzvelk virs parastajām brillēm, vai arī standarta aizsargbrilles ar sānu aizsargiem.

## DROŠĪBAS INSTRUKCIJA

Šajā lapaspusē ir parādīti aprakstīti drošības apzīmējumi, kas var būt norādīti uz šī izstrādājuma. Pirms iekārtas montāžas un lietošanas izlasiet, izprotiet un ievērojiet visus uz iekārtas sniegtos norādījumus.

	Drošības brīdinājums	Norāda uz iespējamu miesas bojājumu risku.
	Izlasiet lietotāja rokasgrāmatu	Lai mazinātu traumu rašanās bīstamību, pirms šī izstrādājuma lietošanas tā lietotājam jāizlasa un jāizprot lietošanas rokasgrāmatā norādītā informācija.
	Valkāt acu aizsarglīdzekļus	Šī izstrādājuma darbināšanas laikā vienmēr valkājiet aizsargbrilles vai aizsargbrilles ar sānu aizsargiem un pilnu sejas aizsargmasku.
	CE	Šis izstrādājums atbilst piemērojamām EK direktīvām.
	EEIA	Elektrisko izstrādājumu atkritumus nedrīkst izmest kopā ar sadzīves atkritumiem. Nogādāt uz pilnvarotu pārstrādes punktu.
	Sargāt no lietus	Neizmantojiet lietū vai neatstājiet ārā, kamēr līst lietus.
IPX5	IP apzīmējums	5. aizsardzības klase pret ūdens iekļūšanu
V	Volti	Spriegums
mm	Milimetrs	Garums vai izmērs
cm	Centimetrs	Garums vai izmērs
kg	Kilograms	Svars
	Līdzstrāva	Strāvas veids vai raksturojums

**⚠ BRĪDINĀJUMS!** Izlasiet visus ar simbolu apzīmētos drošības brīdinājumus un norādījumus.

**Saglabājiet visus brīdinājumus un instrukcijas turpmākai atsaucei.**

Brīdinājumos lietotais termins „elektroinstrumenti” attiecas uz elektriski darbināmu instrumentu, kura barošanu nodrošina elektrotīkli (ar elektrokabeļi) vai akumulators (bez elektrokabeļa).



**⚠️ Ispārējie elektroinstrumenta drošības brīdinājumi — Drošība darba zonā.**

- Uzturiet darba zonu tīru un labi apgaismotu.
- Nesakārtotā un slikti apgaismotā darba zonā var notikt nelaimes gadījumi.
- Nedarbīniet elektroinstrumentu sprādzienbīstamā vidē, piemēram, viegli uzliesmojošu šķidrums, degvielas vai putekļu klātbūtnē. Elektroinstrumenti rada dzirksteles, kas var aizdedzināt putekļus vai izgarojumu tvaikus.
- Neļaujiet bērniem un klātesošajiem atrasties elektroinstrumenta tuvumā, kamēr tas darbojas. Apjukuma brīdī jūs varat zaudēt vadību pār iekārtu.

**⚠️ Vispārējie elektroinstrumenta drošības brīdinājumi — Elektrodrošība.**

- Elektroinstrumenta kontaktdakšai jāsakrīt ar kontaktrozeti. Nekad nekādā veidā nepārveidojiet kontaktdakšu. Neizmantojiet adaptera savienojumus kopā ar sazēmātiem elektroinstrumentiem. Lietojot nepārveidotas kontaktdakšas un atbilstošas kontaktlīdzdas tiek samazināts elektriskās strāvas triecienu risks.
- Nepieskarieties sazēmētām virsmām, piemēram cauruļvadiem, radiatoriem, plītiem un ledusskapjiem. Sazēmējoties Jūs palielināt elektriskās strāvas triecienu risku.
- Sargājiet elektroinstrumentus no lietus vai mitruma. Mitruma iekļūšana elektroinstrumentā palielina elektriskās strāvas triecienu risku.
- Nebojājiet strāvas vadu. Nekad nelietojiet strāvas vadu elektroinstrumenta pārnēsāšanai, vilkšanai vai kontaktdakšas izvilkšanai no kontaktrozetes. Sargājiet strāvas vadu no karstuma, eļļas, asām malām vai kustīgām daļām. Bojāti vai samudzīnāti strāvas vadi palielina risku saņemt elektriskās strāvas triecienu.
- Strādājot ar elektroinstrumentu ārpus telpām, nodrošiniet, lai arī izmantotie vadu pagarinātāji būtu piemēroti āra darbiem. Āra darbiem paredzēta vadu pagarinātāja izmantošana samazina elektriskās strāvas triecienu risku.
- Ja tomēr elektroinstrumenta darbināšana mitrā vidē ir neizbēgama, izmantojiet ar paliekošās strāvas iekārtu (RCD) aizsargātu avotu. Izmantojot RCD, tiek samazināts elektriskās strāvas triecienu risks.

**⚠️ Vispārējie elektroinstrumenta drošības brīdinājumi — Personiskā drošība.**

- Darbinot elektroinstrumentu, esiet modri, pievērsiet uzmanību tam, ko jūs darāt, un rīkojieties ar to saprātīgi. Nelietojiet elektroinstrumentu, ja esat noguris, atrodaties apreibinošo vielu vai alkohola iedarbībā vai lietojat medikamentus. Pat viens mirklis neuzmanības elektroinstrumenta lietošanas laikā var kļūt par cēloni nopietnām traumām.

- Izmantojiet individuālos aizsarglīdzekļus. Vienmēr valkājiet acu aizsarglīdzekļus. Ja tiek lietots darba specifiskai atbilstošs aizsargaprīkojums, piemēram, maska ar putekļu filtru, nesliidoši darba apavi, ķivere vai austiņas, samazinās traumu gūšanas riskus.
- Novērsiet nejaucas ieslēgšanas iespējamību. Pirms iekārtas pievienošanas strāvas avotam un/vai akumulatoru blokam pārliecinieties, vai slēdzis atrodas izslēgtā stāvoklī. Pārnēsājot elektroinstrumentu ar pirkstu uz slēdža vai iedarbinot elektroinstrumentu, kas jau ir ieslēgtā stāvoklī, var notikt nelaimes gadījums.
- Pirms elektroinstrumenta ieslēgšanas izņemiet visas noregulēšanas vai uzgrīzņu atslēgas. Regulēšanas instruments vai atslēga, kas palikusi elektroinstrumenta rotējošās daļās, var izraisīt traumas.
- Nepārvērtējiet savas spējas. Ieņemiet pareizu stāju un vienmēr saglabājiet līdzsvaru. Tādējādi jūs varēsiet labāk apvaldīt elektroinstrumentu negadītās situācijās.
- Valkājiet atbilstošu apģērbu. Nevalkājiet vaļīgu apģērbu vai rotaslietas. Neļaujiet saviem matiem, apģērbam un cimdiem nonākt saskarē ar kustīgajām daļām. Vaļīgs apģērbs, rotaslietas vai gari mati var iekerties iekārtas kustīgajās daļās.
- Ja iekārtas ir paredzētas savienošanai ar putekļu nosūkšanas un savākšanas iekārtām, pārliecinieties, vai tās ir pieslēgtas un tiek izmantotas pareizi. Putekļu savākšanas iekārtu izmantošana var samazināt ar putekļiem saistītos apdraudējumus.
- Nepieļaujiet, ka iekārtas bieža lietošana varētu izraisīt nevērīgu attieksmi darbā ar to, un neignorējiet ar iekārtas lietošanu saistītos drošības principus. Viens brīdis neuzmanības var izraisīt nopietnas traumas.

**⚠️ Vispārējie elektroinstrumenta drošības brīdinājumi — Elektroinstrumenta lietošana un apkope.**

- Nespiediet elektroinstrumentu ar spēku. Lietojiet attiecīgajam darbam piemērotāko elektroinstrumentu. Piemērots elektroinstruments labāk un drošāk spēs izpildīt veicamo darbu, darbojoties tam paredzētajā ātrumā.
- Nelietojiet elektroinstrumentu, ja to nav iespējams ieslēgt un izslēgt ar slēdzi. Ja elektroinstrumentu nav iespējams ieslēgt un izslēgt ar slēdzi, tas ir bīstams, tāpēc nekavējoties jāsabalob.
- Pirms jebkādu pielāgojumu veikšanas, piederumu maiņas vai elektroinstrumenta novietošanas glabāšanā atvienojiet kontaktdakšu no barošanas avota un/vai izņemiet no elektroinstrumenta akumulatoru. Šādi piesardzības pasākumi palīdzēs novērst nejaucu elektroinstrumenta ieslēgšanu.

- Ja elektroinstrumenti kādu laiku netiek lietoti, uzglabājiet tos bērniem nepieejamā vietā un neļaujiet ar elektroinstrumentu darboties personām, kas instrumentu nepazīna vai nav izlasījušas šīs instrukcijas. Nemācīlīgās rokās nonākuši elektroinstrumenti ir potenciāls briesmu avots.
- Uzturiet elektroinstrumentus darba kārtībā. Pārbaudiet, vai ir pareizi uzstādītas kustīgās daļas un vai tās neķeras, un vai elektroinstrumenta daļām nav bojājumu, kas var negatīvi ietekmēt tā darbību. Bojāts elektroinstruments ir jāsalabo pirms nākamās lietošanas reizes. Daudzu negadījumu cēlonis ir sliktā stāvoklī esošu elektroinstrumentu izmantošana.
- Griežņinstrumentiem jābūt asiem un tīriem. Rūpīgi kopti griežņinstrumenti retāk iestrēgst un ir vieglāk vadāmi.
- Lietojiet elektroinstrumentu, tā piederumus un maināmos instrumentus, kā arī citus saistītos elementus atbilstoši šiem norādījumiem, ņemot vērā darba apstākļus un veicamo uzdevumu. Elektroinstrumenta lietošana neparedzētiem mērķiem var radīt bīstamu situāciju.
- Rokturiem un satveršanas daļām jābūt sausiem, tīriem un uz tiem nedrīkst būt eļļa vai smērviela. Ja rokturi un satveršanas daļas ir mitras, tās slīdēs, un ar instrumentu vairs nebūs droši strādāt, kā arī apvaldīt neparedzētu apstākļu gadījumos.
- 56 V teleskopiskā pagarinājuma instrumentgalvu PPX1000 var izmantot kopā tikai ar šādām EGO palīgierīcēm vai jaunākām EGO palīgierīcēm, kas paredzētas izmantošanai kopā ar šo teleskopiskā pagarinājuma instrumentgalvu:

PALĪGIERĪCES TIPS	MODEĻA NUMURS
Dzīvzogu apgriezējašinas palīgierīce	PTX5100
Zaru zāga palīgierīce	PSX2500

**⚠ Vispārējie elektroinstrumenta drošības brīdinājumi — Akumulatora darbarīka lietošana un apkope.**

- Uzglabājiet iekārtu tikai ar ražotāja noteikto lādētāju. Lādētājs, kas paredzēts lietošanai tikai ar viena veida akumulatoru bloku, var radīt aizdegšanās draudus, ja to izmanto kopā ar citu akumulatoru bloku.
- Lietojiet elektroinstrumentus kopā tikai ar tiem paredzētiem akumulatoru blokiem. Jebkura cita akumulatoru bloka lietošana var radīt traumu gūšanas un aizdegšanās risku.
- Kamēr akumulatoru bloks netiek izmantots, glabājiet to tā, lai tas nenonāktu saskarē ar citiem metāla objektiem, piemēram, papīra saspaudēm, monētām, atslēgām, naglām, skrūvēm vai citiem

maziem objektiem, kas var radīt savienojumu starp spailēm. Akumulatora spaiļu īsslēgums var izraisīt aizdegšanos vai ugunsgrēku.

- Nepareizas rīcības gadījumā no akumulatora var iztect šķidrums; izvairieties no saskares ar to. Ja tas nejausi nokļuvis uz ādas, noskalojiet ar ūdeni. Ja šķidrums iekļuvis acīs, nekavējoties meklējiet medicīnisko palīdzību. No akumulatora izkļuvušais šķidrums var izraisīt kairinājumu vai apdegumus.
- Nelietojiet bojātu vai pārveidotu akumulatoru bloku vai instrumentu. Bojātu vai pārveidotu akumulatoru izmantošana var izraisīt neparedzamus apstākļus, kas rada aizdegšanās, sprādziena vai traumas gūšanas draudus.
- Nepakļaujiet akumulatoru bloku vai iekārtu uguns liesmu vai pārmērīgas temperatūras iedarbībai. Uguns liesmu iedarbība vai temperatūra virs 130 °C var izraisīt sprādzienu.
- Izpildiet visas uzlādēšanas instrukcijas un neuzlādējiet akumulatoru bloku vai instrumentu ārpus instrukcijās norādītajām temperatūras vērtībām. Ja iekārta tiek uzlādēta nepareizi vai tiek pārsniegtas instrukcijās norādītās uzlādēšanas temperatūras vērtības, akumulators var sabojāties un palielināt aizdegšanās risku.


**⚠ Vispārējie elektroinstrumenta drošības brīdinājumi — Serviss.**

- Elektroinstrumenta remontdarbus drīkst veikt tikai kvalificēts speciālists, izmantojot tikai oriģinālās rezerves daļas. Tādējādi tiks garantēts elektroinstrumenta lietošanas drošums.
- Nekad neveiciet bojātām akumulatoru blokam remontdarbus pašrocīgi. Bojāta akumulatoru bloka remontdarbus drīkst veikt tikai ražotājs vai pilnvaroti servisa darbinieki.
- Gadījumos, kas nav aprakstīti šajā rokasgrāmatā, esiet uzmanīgi un rīkojieties prātīgi. Lai saņemtu palīdzību, sazinieties ar EGO apkopes centru.

**SAGLABĀJIET ŠOS NORĀDĪJUMUS!**

**PAPILDU ĪPAŠIE DROŠĪBAS NOTEIKUMI IR ATRODAMI LIETOTĀJA ROKASGRĀMATAS ATTIECIGĀJĀ PIELIKUMĀ.**

## SPECIFIKĀCIJAS

Spriegums	56 V 
Ieteicamā darba temperatūra:	0°C - 40°C
Ieteicamā uzglabāšanas temperatūra	-20 °C– 70 °C
Svars	3,9 kg

## APRAKSTS

### PĀRZINIET SAVU TELESKOPISKĀ PAGARINĀJUMA INSTRUMENTGALVU (A att.)

1. Aizmugurējais rokturis
2. Fiksācijas mēlīte
3. Pārnēsāšanas cilpiņa
4. Priekšējais rokturis
5. Iespīlēšanas poga
6. Darbvārpstas atbrīvošanas poga
7. Fiksēšanas poga
8. Uzmava
9. Teleskopiskā caurule
10. Regulējamā ātruma slēdzis
11. Darbarīka atbalsts
12. Plecu sikсна
13. Izsviešanas mehānisms
14. Slēgmehānisms
15. Akumulatora atbrīvošanas poga
16. Uzgriežņu atslēgu turētājs
17. Kombinētā atslēga

### IĒPAKOJUMA SATURA SARAKSTS (A ATT.)

#### MONTĀŽA

**⚠ BRĪDINĀJUMS!** Ja kāda daļa ir bojāta vai trūkst, nedarbiniet šo izstrādājumu, kamēr nav nomainīta bojātā daļa. Darbinot šo izstrādājumu ar bojātām vai trūkstošām daļām, varat gūt smagus miesas bojājumus.

**⚠ BRĪDINĀJUMS!** Vienmēr izņemiet akumulatoru bloku no produkta, ja tiek veikta detaļu izjaukšana, regulēšanas vai tīrīšanas darbi, kā arī tad, kad produkts netiek lietots.

#### PALĪGIERĪCES PIESTIPRINĀŠANA TELESKOPISKĀ PAGARINĀJUMA INSTRUMENTGALVAI

**⚠ BRĪDINĀJUMS!** Izlasiet un izprotiet visu šajā lietotāja rokasgrāmatā norādīto informāciju par katru izvēles palīgierīci, ko izmanto kopā ar šo teleskopā pagarinājuma instrumentgalvu, un ievērojiet visus brīdinājumus un norādījumus. Šo norādījumu neievērošanas sekas var radīt elektriskās strāvas triecienu, ugunsgrēku un/vai nopietnus miesas bojājumus.

**⚠ BRĪDINĀJUMS!** Šī 56 V teleskopā pagarinājuma instrumentgalva PPX1000 ir paredzēta lietošanai tikai kopā ar EGO palīgierīču modeļiem, kas norādīti šajā lietotāja rokasgrāmatā, vai jaunākām EGO palīgierīcēm, kas paredzētas izmantošanai kopā ar šo teleskopiskā pagarinājuma instrumentgalvu: Citu neapstiprinātu palīgierīču izmantošana var izraisīt nopietnus miesas bojājumus vai īpašuma bojājumus.

**⚠ BRĪDINĀJUMS!** Nekad nepiestipriniet, nenovietojiet vai nenoregulējat nevienu palīgierīci, kamēr darbojas instrumentgalva vai, ja tajā atrodas akumulators. Ja motors netiek apturēts un nav izņemts akumulators, jūs varat gūt smagus miesas bojājumus.

Palīgierīci savieno ar teleskopiskā pagarinājuma instrumentgalvu, izmantojot savienotājerīci.

1. Apturiet motoru un izņemiet akumulatoru bloku.
2. Atskrūvējiet bloķēšanas pogu.
3. Salāgojiet uz palīgierīces darbvārpstas norādīto bultīņu ar savienotājerīces savienošanas indikatoru un iespiediet palīgierīces darbvārpstu savienotājerīcē, līdz ir dzirdama „klikšķa” skaņa, un savienotājerīcei jābūt izvietotai līdz darbvārpstas atsaucenes līnijai, lai palīgierīces darbvārpsta būtu pareizi uzstādīta. (B att.)

B-1	Darbvārpstas atbrīvošanas poga	B-4	Atsaucenes līnija
B-2	Savienošanas indikators	B-5	Fiksēšanas poga
B-3	Bultīņas atzīme		

4. Pavelciet darbvārpstu uz āru no palīgierīces, lai pārbaudītu, vai tā ir stingri nofiksēta savienotājerīcē. Ja nav, iespiediet palīgierīces darbvārpstu savienotājerīcē, līdz tā nofiksējas.
5. Stingri pievelciet fiksēšanas pogu.

**⚠ BRĪDINĀJUMS!** Pirms iekārtas iedarbināšanas pārlicinieties, vai fiksēšanas poga ir pilnībā pieskrūvēta; lai izvairītos no nopietniem miesas bojājumiem, periodiski pārbaudiet, vai tā ir stingri pieskrūvēta.

#### PALĪGIERĪCES IZŅEMŠANA NO TELESKOPISKĀ PAGARINĀJUMA INSTRUMENTGALVAS

1. Apturiet motoru un izņemiet akumulatoru bloku.
2. Atskrūvējiet bloķēšanas pogu.
3. Nospiediet vārpstas atbrīvošanas pogu un izvelciet no savienotāja pierīces vārpstu.

#### PLECU SIKSNAS PIESTIPRINĀŠANA (C attēls)

Lai atvērtu siksnas āķi, nospiediet to un pieķējiēt pie pārnēsāšanas cilpiņas.

#### PAGARINĀMĀ TELESKOPISKĀ CAURULE

Šis darbarīks ir aprīkots ar teleskopisko cauruli, ko var pagarināt līdz 960 mm (izstiepta līdz galam).

Iespīlēšanas pogu izmanto, lai noturētu teleskopisko cauruli jebkurā garumā.

1. Lai pagarinātu teleskopisko cauruli, atļaidiet fiksācijas pogu, sekojot tās atbloķēšanas ikonai. Teleskopisko cauruli varēs brīvi pārvietot (D attēls)

D-1	Iespīlēšanas poga	D-2	Norāde par maksimālo ierobežojumu
-----	-------------------	-----	-----------------------------------

2. Izvelciet teleskopisko cauruli nepieciešamajā garumā.
3. Lai fiksētu teleskopisko cauruli, atļaidiet iespīlēšanas pogu, sekojot tās bloķēšanas ikonai.

**⚠ BRĪDINĀJUMS!** Rīkojieties piesardzīgi, veicot ikvienu darbības soli, lai nesaspīestu rokas vai pirkstus

## EKSPLUATĀCIJA

**⚠ BRĪDINĀJUMS!** Saglabājiet modrību visu griezējinstrumenta lietošanas laiku. Neaizmirstiet, ka pat mirklis neuzmanības var izraisīt nopietnu traumu.

**⚠ BRĪDINĀJUMS!** Vienmēr valkājiet acu aizsarglīdzekļus. Šo noteikumu neievērošanas rezultātā acis var nonākt svešķermeņi vai arī jūs varat gūt citas smagas traumas.

**⚠ BRĪDINĀJUMS!** Nelietojiet palīgierīces vai piederumus, ko nav ieteicis šī produkta ražotājs. Šādu neapstiprinātu palīgierīču vai piederumu lietošana var radīt nopietnus ievainojumus.

### AKUMULATORA IEVIETOŠANA/IZŅEMŠANA

**PIEZĪME!** Pirms pirmās lietošanas reizes uzlādējiet akumulatoru bloku pilnībā.

#### ievietošana

Salāgojiet akumulatora izciņņus ar stiprinājuma rievām un iespiediet akumulatoru bloku, līdz ir dzirdama „klikšķa” skaņa (E att.).

E-1	Stiprinājuma rievā	E-2	Izcilnis
-----	--------------------	-----	----------

#### Izņemšana

Nospiediet akumulatora atbrīvošanas pogu un izņemiet akumulatoru bloku (F attēls).

**⚠ BRĪDINĀJUMS!** Lai izvairītos no smagām traumām, vienmēr izņemiet akumulatoru bloku, un iekārtas pārnēsāšanas vai pārvietošanas laikā neturiet pirkstus uz fiksācijas mēlītes un slēdža.

### PLECU SIKSNA

Lai lietošana būtu drošāka un labāka, uzvelciet pāri plecam

siksnu, kā tas parādīts G attēlā, tas atvieglos slodzi uz operatora rokām. Noregulējiet siksnu ērtā darba pozīcijā.

Siksnu var noņemt divos veidos. Noņemiet nost no pleca (H attēls) vai nospiediet siksna āķi un noņemiet no pārnēsāšanas cilpiņas, kas nostiprināta uz darbvarpsta (I attēls)

**⚠ BRĪDINĀJUMS!** Plecu siksnei ir arī ātrās atbrīvošanas mehānisms bīstamām situācijām. Avārijas situācijas gadījumā nekavējoties noņemiet siksnu no pleca neatkarīgi no tā, kādā pozīcijā tā atrodas.

### TELESKOPISKĀ PAGARINĀJUMA INSTRUMENTGALVAS TURĒŠANA

Teleskopiskā pagarinājuma instrumentgalva ir aprīkota ar uzlabotu duālās darbības sprūda sistēmu (J attēls). Katra sprūda sistēma var neatkarīgi ieslēgt vai izslēgt darbarīku. Šī novatoriskā duālās vadības metode nodrošina visergonomiskāko darbību ikdienā veicamā grūtā darba laikā. (K un L att.)

### TELESKOPISKĀ PAGARINĀJUMA INSTRUMENTGALVAS IESLĒGŠANA/APTURĒŠANA

#### Teleskopiskā pagarinājuma instrumentgalvas ieslēgšana

Lai ieslēgtu teleskopiskā pagarinājuma instrumentgalvu, pārvietojiet fiksācijas mēli uz priekšu un nospiediet regulējamā ātruma slēdzi. Jo stiprāk spiedīsiet regulējamā ātruma slēdzi, jo lielāks būs instrumentgalvas palīgierīces ātrums

#### Apturēšana

Atļaidiet regulējamā ātruma slēdzi un fiksācijas mēlīti.

## APKOPE

**⚠ BRĪDINĀJUMS!** Veicot ierīces apkopi, izmantojiet tikai identiskas rezerves daļas. Regulāri pārbaudiet instrumentu un veiciet tam apkopi. Lai garantētu drošu un uzticamu instrumenta darbību, visi remontdarbi jāveic kvalificētam servisa speciālistam.

**⚠ BRĪDINĀJUMS!** Pirms ierīces pārbaudīšanas, tīrīšanas vai apkopes darbu veikšanas apturiet motoru, pagaidiet, līdz apstājas visas kustīgās daļas, un izņemiet akumulatora bloku. Šo norādījumu neievērošana var radīt smagus miesas bojājumus vai kaitējumu īpašumam.

**⚠ PIEZĪME!** Pirms katras lietošanas pārbaudiet visu ierīci, vai tā nav bojāta, vai tai nav trūkstošu vai atskrūvējušos daļu, piemēram, skrūves, uzgriežņi, bultskrūves, vāciņi utt. Stingri pievelciet visus stiprinājumus un vāciņus un nedarbiniet izstrādājumu, kamēr nav nomainītas visas trūkstošās vai bojātās daļas. Lūdzu, sazinieties ar klientu apkalpošanas dienestu vai kvalificētu servisa tehniķi.

### VISPĀRĒJĀ APKOPE

Plastmasas detaļu tīrīšanai neizmantojiet šķīdinātājus. Vairums plastmasu ir uzņēmīgas pret dažāda veida komerciālu šķīdinātāju radītiem bojājumiem un, tos izmantojot, var tikt sabojātas. Lai notīrītu netīrumus, putekļus, eļļu, smērvielas u.c., izmantojiet tīras lupatiņas.

### TELESKOPISKĀ PAGARINĀJUMA INSTRUMENTGALVAS TĪRĪŠANA

1. Apturiet motoru un izņemiet akumulatoru bloku.
2. Iztīriet no teleskopiskā pagarinājuma instrumentgalvas netīrumus un gružus, izmantojot lupatiņu, kas samitrināta ar saudzīgu mazgāšanas līdzekli.

**PIEZĪME!** Netīriet plastmasas korpusu un rokturi ar kodīgiem tīrīšanas līdzekļiem. Plastmasas daļas var sabojāt ar zināmām aromatizētām eļļām, piemēram, priežu un citrona.

### TELESKOPISKĀ PAGARINĀJUMA INSTRUMENTGALVAS UZGLABĀŠANA

1. Pirms uzglabāšanas izņemiet akumulatoru bloku no teleskopiskā pagarinājuma instrumentgalvas.
2. Iztīriet no teleskopiskā pagarinājuma instrumentgalvas visus svešķermeņus.
3. Glabājiet bērniem nepieejamā vietā.
4. Sargājiet no kodīgām vielām, piemēram, dārzā lietojamajām ķīmikālijām un atledošanas sāls.

### Apkārtējās vides aizsardzība



Neizmetiet elektroierīces, akumulatora lādētāju un baterijas/uzlādējamus akumulatorus mājāsaimniecības atkritumos!

## KĻŪDU NOVĒRŠANA

Izlasiet attiecīgās palīgierīces lietotāja rokasgrāmatu.

## GARANTĪJA

### EGO GARANTĪJAS POLITIKA

Lūdzu, apmeklējiet tīmekļa vietni [egopowerplus.com](http://egopowerplus.com), kur pieejama pilna EGO garantijas politikas noteikumu un nosacījumu versija.

## ΔΙΑΒΑΣΤΕ ΟΛΕΣ ΤΙΣ ΟΔΗΓΙΕΣ!



### ΜΕΤΑΦΡΑΣΗ ΤΩΝ ΠΡΩΤΟΤΥΠΩΝ ΟΔΗΓΙΩΝ ΑΠΟ ΤΑ ΑΓΓΛΙΚΑ

**⚠ Υπολειπόμενοι κίνδυνοι!** Άνθρωποι που φέρουν ηλεκτρονικές συσκευές όπως βηματοδότες πρέπει να συμβουλευονται τους γιατρούς τους, πριν τη χρήση αυτού του προϊόντος. Η λειτουργία ηλεκτρολογικού εξοπλισμού κοντά σε βηματοδότη μπορεί να προκαλέσει παρεμβολές ή βλάβη στο βηματοδότη.

**⚠ ΠΡΟΕΙΔΟΠΟΙΗΣΗ:** Προκειμένου να διασφαλιστεί η ασφάλεια και η αξιοπιστία, όλες οι επισκευές και οι αντικαταστάσεις πρέπει να πραγματοποιούνται από εξειδικευμένο τεχνικό σέρβις.

### ΣΥΜΒΟΛΟ ΑΣΦΑΛΕΙΑΣ

Ο σκοπός των συμβόλων ασφαλείας είναι να σας επιστήσουν την προσοχή σε ενδεχόμενους κινδύνους. Προσέξτε και κατανοήστε τα σύμβολα ασφαλείας και τις επεξηγήσεις που τα συνοδεύουν. Τα σύμβολα προειδοποίησης από μόνα τους δεν εξαλείφουν κανέναν κίνδυνο. Οι οδηγίες και οι προειδοποιήσεις που παρέχουν δεν υποκαθιστούν τα κατάλληλα μέτρα πρόληψης ατυχημάτων.

**ΠΡΟΕΙΔΟΠΟΙΗΣΗ:** Βεβαιωθείτε ότι έχετε διαβάσει και κατανοήσει όλες τις οδηγίες ασφαλείας στο παρόν εγχειρίδιο χειριστή, συμπεριλαμβανομένων όλων των συμβόλων ασφαλείας όπως «**ΚΙΝΔΥΝΟΣ**», «**ΠΡΟΕΙΔΟΠΟΙΗΣΗ**» και «**ΠΡΟΣΟΧΗ**», προτού να χρησιμοποιήσετε αυτό το εργαλείο. Η μη τήρηση όλων των παρακάτω οδηγιών μπορεί να οδηγήσει σε ηλεκτροπληξία, πυρκαγιά και/ή σοβαρό τραυματισμό.

GR

### ΕΠΕΞΗΓΗΣΗ ΣΥΜΒΟΛΩΝ



**⚠ ΠΡΟΕΙΔΟΠΟΙΗΣΗ:** Η λειτουργία ηλεκτρικών εργαλείων μπορεί να προκαλέσει την εκτόξευση ξένων αντικειμένων στα μάτια σας, με αποτέλεσμα σοβαρό τραυματισμό. Προτού ξεκινήσετε τη χρήση του ηλεκτρικού εργαλείου, φοράτε πάντα προστατευτικά γυαλιά ή γυαλιά με πλευρική προστασία και, εφόσον απαιτείται, πλήρη προστατευτική προσωπίδα. Συνιστούμε μια προσωπίδα ασφαλείας ευρείας όρασης, για χρήση πάνω από γυαλιά ή τα συνήθη προστατευτικά γυαλιά με πλευρική προστασία.

## ΟΔΗΓΙΕΣ ΑΣΦΑΛΕΙΑΣ

Αυτή η σελίδα απεικονίζει και περιγράφει τα σύμβολα ασφαλείας που μπορεί να υπάρχουν επάνω στο προϊόν. Διαβάστε, κατανοήστε και τηρείτε όλες τις οδηγίες επάνω στη μηχανή, προτού επιχειρήσετε να τη συναρμολογήσετε ή να τη χρησιμοποιήσετε.

	Προειδοποίηση ασφαλείας	Υποδηλώνει δυνητικό κίνδυνο τραυματισμού.
	Διαβάστε το εγχειρίδιο χρήσης	Προκειμένου να μειωθεί ο κίνδυνος τραυματισμού, ο χρήστης πρέπει να διαβάσει και να κατανοήσει το εγχειρίδιο χρήσης προτού να χρησιμοποιήσει το προϊόν.
	Φοράτε προστατευτικά γυαλιά	Φοράτε πάντοτε προστατευτικά γυαλιά ή γυαλιά ασφαλείας με πλευρική προστασία και πλήρη προστατευτική προσωπίδα κατά τη λειτουργία αυτού του προϊόντος.
	CE	Αυτό το προϊόν συμμορφώνεται με τις εφαρμοστέες οδηγίες της ΕΚ.
	AHHE	Τα απόβλητα ειδών ηλεκτρικού και ηλεκτρονικού εξοπλισμού δεν πρέπει να απορρίπτονται στα οικιακά απορρίμματα. Παραδώστε τα σε εξουσιοδοτημένη μονάδα ανακύκλωσης.
	Να μην εκτίθεται στη βροχή	Να μη χρησιμοποιείται στη βροχή και να μην παραμένει σε εξωτερικό χώρο όταν βρέχει.
IPX5	Σύμβολο IP	Βαθμός προστασίας 5 έναντι διείσδυσης νερού
V	Volt	Τάση
mm	Χιλιοστό	Μήκος ή μέγεθος
cm	Εκατοστό	Μήκος ή μέγεθος
kg	Κιλό	Βάρος
	Συνεχές ρεύμα	Τύπος ή χαρακτηριστικά ρεύματος

**⚠ ΠΡΟΕΙΔΟΠΟΙΗΣΗ:** Διαβάστε όλες τις προειδοποιήσεις ασφαλείας που επισημαίνονται με το σύμβολο **⚠** και όλες τις οδηγίες.

Φυλάξτε όλες τις προειδοποιήσεις και τις οδηγίες για μελλοντική αναφορά.

Ο όρος «ηλεκτρικό εργαλείο» στις προειδοποιήσεις αναφέρεται στο ηλεκτρικό σας εργαλείο που λειτουργεί είτε με σύνδεση σε πρίζα (ενσύρματα) είτε με μπαταρίες (ασύρματα).

**⚠ Γενικές προειδοποιήσεις ασφαλείας για τα ηλεκτρικά εργαλεία – Ασφάλεια χώρου εργασίας.**

- Διατηρείτε το χώρο εργασίας καθαρό και καλά φωτισμένο. Οι ακατάστατοι χώροι και οι χώροι με κακό φωτισμό ενισχύουν την πιθανότητα ατυχημάτων.
- Μη χρησιμοποιείτε ηλεκτρικά εργαλεία σε εκρηκτική ατμόσφαιρα, όπως σε χώρους όπου υπάρχουν εύφλεκτα υγρά, βενζίνη ή σκόνη. Τα ηλεκτρικά εργαλεία δημιουργούν σπινθήρες που μπορεί να αναφλέξουν τη σκόνη ή τις αναθυμιάσεις.
- Διατηρείτε τα παιδιά και τους παρευρισκόμενους μακριά, όταν χρησιμοποιείτε το ηλεκτρικό εργαλείο. Εάν κάτι αποσπάσει την προσοχή σας, μπορεί να χάσετε τον έλεγχο του ηλεκτρικού εργαλείου.

**⚠ Γενικές προειδοποιήσεις ασφαλείας για τα ηλεκτρικά εργαλεία – Ηλεκτρική ασφάλεια.**

- Το φως του ηλεκτρικού εργαλείου πρέπει να ταιριάζει στην πρίζα. Μην τροποποιήσετε ποτέ και με κανέναν τρόπο το φως. Μη χρησιμοποιείτε κανενός είδους προσαρμογείς πριζών με ηλεκτρικό εργαλείο, τα οποία διαθέτουν προστατευτικό καλώδιο (γείωση). Τα μη τροποποιημένα φως και οι κατάλληλες πρίζες μειώνουν τον κίνδυνο ηλεκτροπληξίας.
- Αποφύγετε την επαφή με γειωμένες επιφάνειες, όπως σωλήνες, θερμαντικά σώματα, εστίες και ψυγεία. Υπάρχει αυξημένος κίνδυνος ηλεκτροπληξίας όταν το σώμα σας είναι γειωμένο.
- Μην εκθέτετε τα ηλεκτρικά εργαλεία σε βροχή ή υγρασία. Εάν εισχωρήσει νερό στο ηλεκτρικό εργαλείο θα αυξηθεί ο κίνδυνος ηλεκτροπληξίας.
- Μην κακομεταχειρίζεστε το καλώδιο. Μη χρησιμοποιείτε ποτέ το καλώδιο για να μεταφέρετε, να τραβήξετε ή να αποσυνδέσετε το ηλεκτρικό εργαλείο από την πρίζα. Διατηρείτε το καλώδιο μακριά από θερμότητα, λάδια, αιχμηρές γωνίες ή κινούμενα εξαρτήματα. Τα κατεστραμμένα ή μπλεγμένα καλώδια αυξάνουν τον κίνδυνο ηλεκτροπληξίας.

- Όταν χρησιμοποιείτε ένα ηλεκτρικό εργαλείο σε εξωτερικό χώρο, χρησιμοποιείτε καλώδιο προέκτασης κατάλληλο για χρήση σε εξωτερικό χώρο. Τα καλώδια που είναι κατάλληλα για εξωτερικό χώρο περιορίζουν τον κίνδυνο ηλεκτροπληξίας.

- Εάν δεν μπορείτε να αποφύγετε τη χρήση του ηλεκτρικού εργαλείου σε χώρο με υγρασία, χρησιμοποιήστε πρίζα με διακόπτη κυκλώματος βλάβης γείωσης (GFCI). Η χρήση διακόπτη κυκλώματος βλάβης γείωσης περιορίζει τον κίνδυνο ηλεκτροπληξίας.

**⚠ Γενικές προειδοποιήσεις ασφαλείας για τα ηλεκτρικά εργαλεία – Προσωπική ασφάλεια.**

- Να βρίσκεστε πάντα σε εγρήγορση, να προσέχετε τι κάνετε και να εφαρμόζετε κοινή λογική όταν χρησιμοποιείτε ηλεκτρικά εργαλεία. Μη χρησιμοποιείτε ηλεκτρικά εργαλεία όταν είστε κουρασμένοι ή υπό την επήρεια ναρκωτικών, αλκοόλ ή φαρμάκων. Όταν χρησιμοποιείτε ηλεκτρικά εργαλεία, μια στιγμή απροσεξίας μπορεί να προκαλέσει σοβαρό τραυματισμό.
- Χρησιμοποιείτε μέσα ατομικής προστασίας. Φοράτε πάντα προστατευτικά γυαλιά. Η χρήση των κατάλληλων μέσων ατομικής προστασίας, όπως, μάσκας προστασίας από τη σκόνη, αντιολισθητικών παπουτσιών ασφαλείας, κράνους ή υποσποτίδων, μειώνει τον κίνδυνο τραυματισμών.
- Λαμβάνετε μέτρα για να μην ενεργοποιηθεί κατά λάθος το ηλεκτρικό εργαλείο. Βεβαιώνετε ότι ο διακόπτης βρίσκεται στη θέση απενεργοποίησης (OFF) προτού να συνδέσετε το ηλεκτρικό εργαλείο στο ρεύμα και/ή στη συστοιχία μπαταριών, ή όταν σηκώνετε ή μεταφέρετε το εργαλείο. Μη μεταφέρετε το ηλεκτρικό εργαλείο με το δάκτυλο πάνω στο διακόπτη και μη συνδέετε το ηλεκτρικό εργαλείο στην παροχή ρεύματος με ενεργοποιημένο το διακόπτη, διότι αυξάνεται ο κίνδυνος ατυχήματος.
- Προτού να ενεργοποιήσετε το ηλεκτρικό εργαλείο, αφαιρέστε κάθε εργαλείο ρύθμισης ή κλειδί. Εάν το εργαλείο ρύθμισης ή το κλειδί παραμείνει συνδεδεμένο στο περιστρεφόμενο εξάρτημα του ηλεκτρικού εργαλείου, μπορεί να προκληθεί τραυματισμός.
- Μην τεντώνετε υπερβολικά για να πραγματοποιήσετε την εργασία. Πατάτε πάντα σταθερά και διατηρείτε την ισορροπία σας. Έτσι θα ελέγχετε καλύτερα το ηλεκτρικό εργαλείο σε περίπτωση απροσδόκητων καταστάσεων.
- Φοράτε κατάλληλα ρούχα. Μη φοράτε φαρδιά ρούχα ή κοσμήματα. Διατηρείτε τα μαλλιά, τα ρούχα και τα γάντια σας μακριά από κινούμενα μέρη. Χαλαρά ρούχα, κοσμήματα ή μακριά μαλλιά μπορεί να πιαστούν στα κινούμενα μέρη.

- Εάν υπάρχει δυνατότητα σύνδεσης συσκευών απομάκρυνσης και συλλογής της σκόνης, βεβαιωθείτε ότι αυτές οι συσκευές έχουν συνδεθεί και χρησιμοποιούνται σωστά. Η χρήση συσκευών συλλογής σκόνης μπορεί να μειώσει τους κινδύνους που σχετίζονται με αυτή.

- **Κόμα κι εάν χρησιμοποιείτε συχνά ηλεκτρικά εργαλεία, μην εφησυχάζετε και μην παραβλέπετε τους βασικούς κανόνες ασφαλείας.** Μια στιγμή απροσεξίας μπορεί να οδηγήσει σε σοβαρό τραυματισμό.

### **⚠ Γενικές προειδοποιήσεις ασφαλείας για τα ηλεκτρικά εργαλεία – Χρήση και φροντίδα του ηλεκτρικού εργαλείου.**

- **Μη ζορίζετε το ηλεκτρικό εργαλείο. Χρησιμοποιήστε το κατάλληλο ηλεκτρικό εργαλείο για την εκάστοτε εργασία.** Η εργασία θα πραγματοποιηθεί καλύτερα και ασφαλέστερα εάν χρησιμοποιηθεί το κατάλληλο ηλεκτρικό εργαλείο και στην ταχύτητα για την οποία έχει σχεδιαστεί.

- **Μη χρησιμοποιήσετε το ηλεκτρικό εργαλείο εάν δεν μπορείτε να το ενεργοποιήσετε και να το απενεργοποιήσετε από τον διακόπτη.** Κάθε ηλεκτρικό εργαλείο που δεν ελέγχεται από το διακόπτη είναι επικίνδυνο και απαιτεί επισκευή.

- **Αποσυνδέετε το φως από την πρίζα και/ή αφαιρείτε τη συστοιχία μπαταρίας προτού να κάνετε οποιαδήποτε ρύθμιση, να αλλάξετε εξαρτήματα ή να αποθηκεύσετε το ηλεκτρικό εργαλείο.** Με αυτόν τον τρόπο, περιορίζεται ο κίνδυνος να ενεργοποιηθεί κατά λάθος το ηλεκτρικό εργαλείο.

- **Αποθηκεύετε τα ηλεκτρικά εργαλεία που δεν χρησιμοποιείτε σε μέρος όπου δεν πλησιάζουν παιδιά και μην αφήνετε να χρησιμοποιηθούν από άτομα που δεν είναι εξοικειωμένα με αυτά ή με τις οδηγίες τους.** Τα ηλεκτρικά εργαλεία είναι επικίνδυνα στα χέρια ατόμων που δεν έχουν εκπαιδευτεί στη χρήση τους.

- **Συντηρείτε σωστά τα ηλεκτρικά εργαλεία.** Ελέγχετε για κακή ευθυγράμμιση ή εμπλοκή των κινούμενων εξαρτημάτων, για σπασμένα εξαρτήματα και για κάθε άλλη κατάσταση που μπορεί να επηρεάσει τη λειτουργία του ηλεκτρικού εργαλείου. Εάν έχει υποστεί ζημιά το ηλεκτρικό εργαλείο, επισκευάστε το προτού να το χρησιμοποιήσετε. Πολλά ατυχήματα οφείλονται σε πλημμελώς συντηρημένα ηλεκτρικά εργαλεία.

- **Διατηρείτε τα κοπτικά εξαρτήματα αιχμηρά και καθαρά.** Τα κοπτικά εργαλεία που έχουν συντηρηθεί σωστά και διαθέτουν αιχμηρές κόψεις είναι λιγότερο πιθανό να μπλοκάρουν, ενώ είναι ευκολότερα στο χειρισμό.

- **Χρησιμοποιείτε το ηλεκτρικό εργαλείο, τα εξαρτήματα, τις μύτες, κτλ., σύμφωνα με αυτές τις οδηγίες, λαμβάνοντας υπόψη τις συνθήκες εργασίας και την προς εκτέλεση εργασία.** Η χρήση ενός ηλεκτρικού εργαλείου για λειτουργίες διαφορετικές από αυτές για τις οποίες προορίζεται μπορεί να οδηγήσει σε επικίνδυνες καταστάσεις.

- **Διατηρείτε τις λαβές και τις επιφάνειες συγκράτησης του εργαλείου στεγνές και καθαρές, χωρίς λάδια και γράσα.** Εάν γλιστρούν οι λαβές και οι επιφάνειες συγκράτησης δε θα μπορέσετε να χειριστείτε με ασφάλεια το εργαλείο, ούτε θα μπορέσετε να το ελέγξετε σε περίπτωση που προκύψει κάποια απροσδόκητη κατάσταση.

- Αυτό το τηλεσκοπικό κοντάρι ισχύος 56 volt PPX1000 μπορεί να χρησιμοποιηθεί μόνο με τα ακόλουθα προσαρτήματα EGO ή με εξαρτήματα που θα υποδείξει η EGO μελλοντικά ως κατάλληλα για χρήση με αυτό το τηλεσκοπικό κοντάρι ισχύος:

ΤΥΠΟΣ ΠΡΟΣΑΡΤΗΜΑΤΟΣ	ΑΡΙΘΜΟΣ ΜΟΝΤΕΛΟΥ
Προσάρτημα ψαλιδιού μπροντούρας	PTX5100
Προσάρτημα πριονιού με κοντάρι	PSX2500

### **⚠ Γενικές προειδοποιήσεις ασφαλείας για τα ηλεκτρικά εργαλεία – Χρήση και φροντίδα του ηλεκτρικού εργαλείου μπαταρίας.**

- **Επαναφορτίστε το ηλεκτρικό εργαλείο μόνο με το φορτιστή που ορίζεται από τον κατασκευαστή.** Οι φορτιστές που είναι κατάλληλοι για κάποιο συγκεκριμένο τύπο συστοιχίας μπαταριών μπορεί να προκαλέσουν πυρκαγιά εάν χρησιμοποιηθούν με άλλον άλλο τύπο.

- **Χρησιμοποιείτε το ηλεκτρικό εργαλείο μόνο με τη συγκεκριμένη συστοιχία μπαταριών που προορίζεται για αυτό.** Εάν χρησιμοποιηθεί οποιαδήποτε άλλη συστοιχία μπαταριών, μπορεί να προκληθεί τραυματισμός και πυρκαγιά.

- **Όταν η συστοιχία μπαταριών δε χρησιμοποιείται, φυλάσσετε τη μακριά από μεταλλικά αντικείμενα, όπως, συνδετήρες, κέρματα, κλειδιά, καρφιά, βίδες ή άλλα μικρά μεταλλικά αντικείμενα, τα οποία μπορεί να δημιουργήσουν σύνδεση μεταξύ των ακροδεκτών.** Το βραχυκύκλωμα των ακροδεκτών της συστοιχίας μπαταριών μεταξύ τους ενδέχεται να προκαλέσει εγκαύματα ή πυρκαγιά.



- Σε συνθήκες κακής χρήσης, μπορεί να διαρρέυσει υγρό από τη συστοιχία μπαταριών. Αποφύγετε την επαφή με αυτό. Σε περίπτωση τυχαίας επαφής, ξεπλύνετε καλά με νερό. Εάν το υγρό έρθει σε επαφή με τα μάτια, αναζητήστε επιπλέον ιατρική βοήθεια. Το υγρό που διαρρέει από τη συστοιχία μπαταριών μπορεί να προκαλέσει ερεθισμό ή εγκαύματα.
- Μη χρησιμοποιείτε τη συστοιχία μπαταριών ή το εργαλείο εάν έχουν υποστεί ζημιά ή έχουν τροποποιηθεί. Οι συστοιχίες μπαταριών που έχουν υποστεί ζημιά ή έχουν τροποποιηθεί μπορεί να έχουν απρόβλεπτη συμπεριφορά και να προκαλέσουν πυρκαγιά, έκρηξη ή τραυματισμό.
- Η συστοιχία μπαταριών και το ηλεκτρικό εργαλείο δεν πρέπει να εκτίθενται σε φωτιά ή υπερβολικά υψηλή θερμοκρασία. Η έκθεση σε φωτιά ή θερμοκρασία πάνω από 130 °C μπορεί να προκαλέσει έκρηξη.
- Τηρείτε όλες τις οδηγίες σχετικά με τη φόρτιση και μη φορτίζετε τη συστοιχία μπαταριών ή το ηλεκτρικό εργαλείο εκτός του εύρους θερμοκρασίας που αναφέρεται στις οδηγίες. Εάν η φόρτιση δε γίνει σωστά ή πραγματοποιηθεί σε θερμοκρασία εκτός του καθορισμένου εύρους, η συστοιχία μπαταριών μπορεί να υποστεί ζημιά και να αυξηθεί ο κίνδυνος πυρκαγιάς.

**⚠ Γενικές προειδοποιήσεις ασφαλείας για τα ηλεκτρικά εργαλεία – Επισκευές.**

- Το ηλεκτρικό εργαλείο πρέπει να επισκευάζεται μόνο από πιστοποιημένο επαγγελματία, χρησιμοποιώντας μόνο παανομοίτυπα ανταλλακτικά. Με αυτόν τον τρόπο διασφαλίζεται η ασφαλής λειτουργία του ηλεκτρικού εργαλείου.
- Μην επιχειρήσετε ποτέ να επισκευάσετε συστοιχία μπαταριών που έχει υποστεί ζημιά. Η συστοιχία μπαταριών πρέπει να επισκευάζεται μόνο από τον κατασκευαστή ή από εξουσιοδοτημένα κέντρα σέρβις.
- Εάν προκύψουν καταστάσεις που δεν καλύπτονται στο παρόν εγχειρίδιο, προσέχετε και εφαρμόστε κοινή λογική. Επικοινωνήστε με το κέντρο σέρβις της EGO για βοήθεια.

## ΦΥΛΑΞΤΕ ΑΥΤΕΣ ΤΙΣ ΟΔΗΓΙΕΣ

**ΠΡΟΣΘΕΤΟΙ ΕΙΔΙΚΟΙ ΚΑΝΟΝΕΣ ΑΣΦΑΛΕΙΑΣ ΥΠΑΡΧΟΥΝ ΣΤΟ ΙΣΧΥΟΝ ΕΓΧΕΙΡΙΔΙΟ ΧΡΗΣΗΣ ΤΟΥ ΠΡΟΣΑΡΤΗΜΑΤΟΣ**

## ΤΕΧΝΙΚΕΣ ΠΡΟΔΙΑΓΡΑΦΕΣ

Τάση	56 V ---
Συνιστώμενη θερμοκρασία λειτουργίας:	0°C - 40°C
Συνιστώμενη θερμοκρασία αποθήκευσης	-20°C - 70°C
Βάρος	3,9 kg

## ΠΕΡΙΓΡΑΦΗ

**ΓΝΩΡΙΣΤΕ ΤΟ ΤΗΛΕΣΚΟΠΙΚΟ ΚΟΝΤΑΡΙ ΙΣΧΥΟΣ (Εικ. Α)**

1. Πίσω χειρολαβή
2. Γλωπίδα ασφάλισης
3. Οφθαλμίδιο μεταφοράς
4. Μπροστινή χειρολαβή
5. Κουμπί σύσφιξης
6. Κουμπί αποδέσμευσης άξονα
7. Κουμπί ασφάλισης
8. Συζεύκτης
9. Τηλεσκοπικός σωλήνας
10. Σκανδάλη μεταβλητής ταχύτητας
11. Βάση εργαλείου
12. Ιμάντας ώμου
13. Μηχανισμός εκτόξευσης
14. Μάνταλο
15. Κουμπί αποδέσμευσης συστοιχίας μπαταριών
16. Θήκη μηχανικού κλειδιού
17. Συνδυαστικό μηχανικό κλειδί

**ΚΑΤΑΛΟΓΟΣ ΕΞΑΡΤΗΜΑΤΩΝ ΣΥΣΚΕΥΑΣΙΑΣ (ΕΙΚ. Α)**

## ΣΥΝΑΡΜΟΛΟΓΗΣΗ

**⚠ ΠΡΟΕΙΔΟΠΟΙΗΣΗ:** Σε περίπτωση που κάποια από τα εξαρτήματα έχουν υποστεί ζημιά ή λείπουν, μη χρησιμοποιήσετε το προϊόν, μέχρι να αντικατασταθούν. Η χρήση αυτού του προϊόντος με φθαρμένα ή ελλιπή εξαρτήματα μπορεί να έχει ως αποτέλεσμα σοβαρό τραυματισμό.

**⚠ ΠΡΟΕΙΔΟΠΟΙΗΣΗ:** Αφαιρείτε πάντα τη συστοιχία μπαταριών από το προϊόν, όταν συναρμολογείτε εξαρτήματα, κάνετε ρυθμίσεις, πραγματοποιείτε καθαρισμό ή όταν το προϊόν δε χρησιμοποιείται.

**ΤΟΠΟΘΕΤΗΣΗ ΕΝΟΣ ΠΡΟΣΑΡΤΗΜΑΤΟΣ ΣΤΟ ΤΗΛΕΣΚΟΠΙΚΟ ΚΟΝΤΑΡΙ ΙΣΧΥΟΣ**

**⚠ ΠΡΟΕΙΔΟΠΟΙΗΣΗ:** Διαβάστε και κατανοήστε ολόκληρο το εγχειρίδιο χρήσης για κάθε προαιρετικό προσάρτημα που χρησιμοποιείται σε αυτό το τηλεσκοπικό κοντάρι ισχύος και τηρείτε όλες τις προειδοποιήσεις και οδηγίες. Η μη τήρηση όλων των οδηγιών μπορεί να οδηγήσει σε ηλεκτροπληξία, πυρκαγιά και/ή σοβαρό τραυματισμό.

**⚠ ΠΡΟΕΙΔΟΠΟΙΗΣΗ:** Αυτό το τηλεσκοπικό κοντάρι ισχύος 56V PPX1000 έχει σχεδιαστεί για χρήση μόνο με μοντέλα προσαρτημάτων EGO που καθορίζονται στο παρόν εγχειρίδιο χρήσης ή προτείνονται συνεπώς από την

EGO για χρήση με αυτό το τηλεσκοπικό κοντάρι ισχύος. Η χρήση άλλων, μη εγκεκριμένων προσαρτημάτων μπορεί να προκαλέσει σοβαρούς τραυματισμούς ή υλικές ζημιές.

**⚠️ ΠΡΟΕΙΔΟΠΟΙΗΣΗ:** Ποτέ μην εγκαθιστάτε, απομακρύνετε ή ρυθμίζετε οποιοδήποτε προσάρτημα ενώ λειτουργεί το τηλεσκοπικό κοντάρι ισχύος ή με τοποθετημένη τη συστοιχία μπαταριών. Εάν δε σβήσετε τον κινητήρα και δεν αφαιρέσετε τη συστοιχία μπαταριών, μπορεί να προκληθεί σοβαρός τραυματισμός.

Το προσάρτημα συνδέεται με το τηλεσκοπικό κοντάρι ισχύος μέσω μιας συσκευής ζεύξης.

1. Σβήστε τον κινητήρα και αφαιρέστε τη συστοιχία μπαταριών.
2. Λασκάρετε το κουμπί ασφάλισης.
3. Ευθυγραμμίστε το βέλος στον άξονα προσαρτήματος με την ένδειξη ευθυγράμμισης στο συζεύκτη και ωθήστε τον άξονα προσαρτήματος μέσα στο συζεύκτη, ώσπου να ακούσετε έναν ήχο «κλικ» που υποδηλώνει ότι ο συζεύκτης έχει τοποθετηθεί πλήρως κατά μήκος της γραμμής αναφοράς στον άξονα και ότι ο άξονας προσαρτήματος έχει τοποθετηθεί σωστά στη θέση του. (Εικ. Β).

B-1	Κουμπί αποδέσμευσης άξονα	B-4	Γραμμή αναφοράς
B-2	Ένδειξη ευθυγράμμισης	B-5	Κουμπί ασφάλισης
B-3	Βέλος		

4. Τραβήξτε τον άξονα του προσαρτήματος για να βεβαιωθείτε ότι έχει κλειδώσει με ασφάλεια στο συζεύκτη. Στην αντίθετη περίπτωση, ωθήστε τον άξονα προσαρτήματος στο συζεύκτη ώσπου να κουμπώσει στη θέση του.
5. Συσφίξτε καλά το κουμπί ασφάλισης.

**⚠️ ΠΡΟΕΙΔΟΠΟΙΗΣΗ:** Βεβαιωθείτε ότι το κουμπί ασφάλισης έχει συσφιχθεί πλήρως προτού να θέσετε σε λειτουργία τον εξοπλισμό. Ελέγχετε τακτικά τη σύσφιξη κατά τη διάρκεια της χρήσης, για την αποφυγή σοβαρού τραυματισμού.

## ΑΦΑΙΡΕΣΗ ΕΝΟΣ ΠΡΟΣΑΡΤΗΜΑΤΟΣ ΑΠΟ ΤΟ ΤΗΛΕΣΚΟΠΙΚΟ ΚΟΝΤΑΡΙ ΙΣΧΥΟΣ

1. Σβήστε τον κινητήρα και αφαιρέστε τη συστοιχία μπαταριών.
2. Λασκάρετε το κουμπί ασφάλισης.
3. Πιέστε το κουμπί αποδέσμευσης άξονα και, με το κουμπί πιεσμένο, τραβήξτε το προσάρτημα έξω από το συζεύκτη.

## ΤΟΠΟΘΕΤΗΣΗ ΤΟΥ ΙΜΑΝΤΑ ΩΜΟΥ (Εικ. C)

Πατήστε το άγκιστρο ιμάντα για να το ανοίξετε και προσαρτήστε το στο οφθαλμίδιο μεταφοράς.

## ΤΗΛΕΣΚΟΠΙΚΟΣ ΣΩΛΗΝΑΣ ΠΡΟΕΚΤΑΣΗΣ

Αυτό το ηλεκτρικό εργαλείο είναι εξοπλισμένο με τηλεσκοπικό σωλήνα που μπορεί να προεκταθεί στα 960 mm (πλήρης προέκταση).

Το κουμπί σύσφιξης χρησιμοποιείται για τη διατήρηση του τηλεσκοπικού σωλήνα στη θέση του σε οποιοδήποτε μήκος προέκτασης.

1. Για να προεκτείνετε τον τηλεσκοπικό σωλήνα, λασκάρετε το κουμπί σύσφιξης σύμφωνα με το εικονίδιο απασφάλισης. Ο τηλεσκοπικός σωλήνας θα γλιστρήσει ελεύθερα (Εικ. (Fig. D)

D-1	Κουμπί σύσφιξης	D-2	Ένδειξη μέγιστου ορίου
-----	-----------------	-----	------------------------

2. Τραβήξτε τον τηλεσκοπικό σωλήνα προς τα έξω, στο επιθυμητό μήκος προέκτασης.
3. Για την ασφάλιση του τηλεσκοπικού σωλήνα στη θέση του, συσφίξτε το κουμπί σύσφιξης σύμφωνα με το εικονίδιο ασφάλισης.

**⚠️ ΠΡΟΕΙΔΟΠΟΙΗΣΗ:** Προσέχετε ιδιαίτερα για την αποφυγή μαγκώματος των χεριών και των δακτύλων σας.

## ΛΕΙΤΟΥΡΓΙΑ

**⚠️ ΠΡΟΕΙΔΟΠΟΙΗΣΗ:** Η εξοικειωσή σας με αυτό το προϊόν δε θα πρέπει να σας κάνει λιγότερο προσεκτικούς. Θυμηθείτε πως ένα κλάσμα δευτερολέπτου απροσεξίας μπορεί να προκαλέσει σοβαρό τραυματισμό.

**⚠️ ΠΡΟΕΙΔΟΠΟΙΗΣΗ:** Φοράτε πάντα προστατευτικά γυαλιά. Στην αντίθετη περίπτωση, είναι πιθανό να υπάρξει εκτόξευση αντικειμένων στα μάτια σας και άλλοι πιθανοί σοβαροί τραυματισμοί.

**⚠️ ΠΡΟΕΙΔΟΠΟΙΗΣΗ:** Μη χρησιμοποιείτε εξαρτήματα που δε συνιστώνται από τον κατασκευαστή αυτού του προϊόντος. Η χρήση προσαρτημάτων ή εξαρτημάτων που δε συνιστώνται από τον κατασκευαστή, ενέχει τον κίνδυνο σοβαρού τραυματισμού.

## ΤΟΠΟΘΕΤΗΣΗ/ΑΦΑΙΡΕΣΗ ΤΗΣ ΣΥΣΤΟΙΧΙΑΣ ΜΠΑΤΑΡΙΩΝ

**ΣΗΜΕΙΩΣΗ:** Φορτίστε τη συστοιχία μπαταριών πλήρως πριν την πρώτη χρήση.

### Τοποθέτηση

Ευθυγραμμίστε τις νευρώσεις της συστοιχίας μπαταριών με τις οπές τοποθέτησης και πιέστε τη συστοιχία μπαταριών προς τα κάτω, μέχρι να ακούσετε «κλικ» (Εικ. E).

E-1	Υποδοχή τοποθέτησης	E-2	Νεύρωση
-----	---------------------	-----	---------

## Αφαίρεση

Πιέστε το Κουμπί αποδέσμευσης της συστοιχίας μπαταριών και τραβήξτε την προς τα έξω (Εικ. F).

**ΠΡΟΕΙΔΟΠΟΙΗΣΗ:** Για την αποφυγή σοβαρού τραυματισμού, αφαιρείτε πάντα τη συστοιχία μπαταριών και διατηρείτε τα χέρια μακριά από τη γλωττίδα ασφάλισης και τη σκανδάλη όταν μεταφέρετε το εργαλείο.

## ΙΜΑΝΤΑΣ ΩΜΟΥ

Για ασφαλή και καλύτερη λειτουργία, τοποθετήστε τον ιμάντα ώμου διαγώνια στον ώμο, σύμφωνα με την Εικ. G, για να μειώσετε το βάρος που ασκείται στα χέρια του χειριστή. Ρυθμίστε τον ιμάντα ώμου σε μια άνετη θέση λειτουργίας.

Υπάρχουν δύο τρόποι αποδέσμευσης του ιμάντα. Αφαιρέστε τον από τον ώμο σας απευθείας (Εικ. Η) ή πιέστε το άγκιστρο του ιμάντα και αποσπάστε τον από το οφθαλμίδιο μεταφοράς πάνω στον άξονα (Εικ. Ι)

**ΠΡΟΕΙΔΟΠΟΙΗΣΗ:** Ο ιμάντας ώμου είναι επίσης ένας μηχανισμός γρήγορης αποδέσμευσης σε κάποια επικίνδυνη κατάσταση. Σε μια επείγουσα κατάσταση, αφαιρέστε τον από τον ώμο σας αμέσως, ανεξάρτητα από τη θέση του ιμάντα.

## ΚΡΑΤΗΜΑ ΤΟΥ ΤΗΛΕΣΚΟΠΙΚΟΥ ΚΟΝΤΑΡΙΟΥ ΙΣΧΥΟΣ

Το τηλεσκοπικό κοντάρι ισχύος είναι εξοπλισμένο με ένα προηγμένο σύστημα διπλού σκανδαλισμού (Εικ. J). Κάθε σύστημα σκανδαλισμού μπορεί να ενεργοποιήσει ή να απενεργοποιήσει ανεξάρτητα το ηλεκτρικό εργαλείο. Αυτός ο καινοτόμος τρόπος ελέγχου παρέχει την καλύτερη εργονομική χρήση κατά τη διάρκεια καθημερινών δύσκολων εργασιών. (Εικ. K & L)

## ΕΝΕΡΓΟΠΟΙΗΣΗ/ΑΠΕΝΕΡΓΟΠΟΙΗΣΗ ΤΟΥ ΤΗΛΕΣΚΟΠΙΚΟΥ ΚΟΝΤΑΡΙΟΥ ΙΣΧΥΟΣ

### Ενεργοποίηση του τηλεσκοπικού κονταριού ισχύος

Μετακινήστε τη γλωττίδα ασφάλισης προς τα εμπρός και πιέστε τη σκανδάλη μεταβλητής ταχύτητας για να ενεργοποιήσετε το τηλεσκοπικό κοντάρι ισχύος. Όσο μεγαλύτερη πίεση ασκείται στη σκανδάλη μεταβλητής ταχύτητας, τόσο περισσότερο αυξάνει η ταχύτητα του προσαρτήματος της κεφαλής.

### Απενεργοποίηση

Αποδεσμεύστε τη σκανδάλη μεταβλητής ταχύτητας και τη γλωττίδα ασφάλισης.

## ΣΥΝΤΗΡΗΣΗ

**ΠΡΟΕΙΔΟΠΟΙΗΣΗ:** Κατά τη συντήρηση, χρησιμοποιείτε μόνο όμοια ανταλλακτικά. Ελέγχετε και συντηρείτε τακτικά τη μηχανή. Προκειμένου να διασφαλιστεί η ασφάλεια και η αξιοπιστία, όλες οι επισκευές πρέπει να διενεργούνται από εξειδικευμένο τεχνικό σέρβις.

**ΠΡΟΕΙΔΟΠΟΙΗΣΗ:** Πριν από τον έλεγχο, τον καθαρισμό ή τη συντήρηση της μονάδας, σβήστε τον κινητήρα, περιμένετε ώσπου να ακινητοποιηθούν όλα τα κινούμενα εξαρτήματα και αφαιρέστε τη συστοιχία μπαταριών. Η μη τήρηση των οδηγιών μπορεί να οδηγήσει σε σοβαρό τραυματισμό ή υλικές ζημιές.

**ΠΡΟΣΟΧΗ:** Πριν από κάθε χρήση, ελέγχετε πλήρως το προϊόν για φθαρμένα, ελλιπή ή χαλαρά εξαρτήματα, όπως βίδες, παξιμάδια, μπουλόνια, πώματα, κτλ. Συσφίξτε με ασφάλεια όλους τους σφιγκτήρες και τα πώματα και μη θέσετε σε λειτουργία το προϊόν προτού να αποκατασταθούν όλα τα ελλιπή ή φθαρμένα εξαρτήματα. Επικοινωνήστε με την υπηρεσία εξυπηρέτησης πελατών ή με εξειδικευμένο τεχνικό σέρβις.

## ΓΕΝΙΚΗ ΣΥΝΤΗΡΗΣΗ

Αποφύγετε τη χρήση διαλυτών κατά τον καθαρισμό των πλαστικών εξαρτημάτων. Τα περισσότερα πλαστικά είναι ευπαθή στη χρήση διαφόρων τύπων διαλυτών του εμπορίου και καταστρέφονται από τη χρήση τους. Χρησιμοποιείτε καθαρό πανί για την απομάκρυνση βρωμιάς, σκόνης, λαδιού, γράσου, κτλ.

## ΚΑΘΑΡΙΣΜΟΣ ΤΟΥ ΤΗΛΕΣΚΟΠΙΚΟΥ ΚΟΝΤΑΡΙΟΥ ΙΣΧΥΟΣ

1. Σβήστε τον κινητήρα και αφαιρέστε τη συστοιχία μπαταριών.
2. Καθαρίστε τους ρύπους και τα υπολείμματα από το τηλεσκοπικό κοντάρι ισχύος χρησιμοποιώντας ένα ωπλό πανί με ήπιο απορρυπαντικό.

**ΠΡΟΣΟΧΗ:** Μη χρησιμοποιήσετε δραστικά απορρυπαντικά στο πλαστικό περίβλημα ή τη χειρολαβή. Αυτά μπορούν να καταστραφούν από ορισμένα αρωματικά έλαια, όπως πεύκου και λεμονίου.

## ΑΠΟΘΗΚΕΥΣΗ ΤΟΥ ΤΗΛΕΣΚΟΠΙΚΟΥ ΚΟΝΤΑΡΙΟΥ ΙΣΧΥΟΣ

1. Αφαιρέστε τη συστοιχία μπαταριών από το τηλεσκοπικό κοντάρι ισχύος πριν από την αποθήκευση.
2. Απομακρύνετε όλα τα ξένα σώματα από το τηλεσκοπικό κοντάρι ισχύος.
3. Να αποθηκεύεται σε χώρο στον οποίο δεν έχουν πρόσβαση παιδιά.

4. Να διατηρείται μακριά από διαβρωτικές ουσίες, όπως χημικές ουσίες και αποπαγωτικά άλατα κήπου.

### Προστασία του περιβάλλοντος



Μην απορρίπτετε ηλεκτρολογικό εξοπλισμό, το φορτιστή μπαταρίας και τις συστοιχίες μπαταριών/επαναφορτιζόμενες μπαταρίες στα οικιακά απορρίμματα!

### ΑΝΤΙΜΕΤΩΠΙΣΗ ΠΡΟΒΛΗΜΑΤΩΝ

Ανατρέξτε στο αντίστοιχο εγχειρίδιο χρήσης του προσαρτήματος.

### ΕΓΓΥΗΣΗ

#### ΠΟΛΙΤΙΚΗ ΕΓΓΥΗΣΗΣ EGO

Επισκεφθείτε την ιστοσελίδα [egopowerplus.com](http://egopowerplus.com) για όλους τους όρους και τις προϋποθέσεις της πολιτικής εγγύησης EGO.

## TÜM TALİMATLARI OKUYUN!



### KULLANIM KILAVUZUNU OKUYUN

**⚠ Artık risk!** Kalp pili gibi elektronik cihaz kullanan kişiler bu ürünü kullanmadan önce hekimlerine danışmalıdır. Elektrikli cihazların, kalp pili yakınında çalıştırılması kalp piliinde parazite veya arızaya neden olabilir.

**⚠ UYARI:** Güvenliği ve güvenilirliği sağlamak için, tüm onarım ve değiştirme işlemleri yetkili bir servis teknisyeni tarafından gerçekleştirilmelidir.

## GÜVENLİK SEMBOLÜ

Güvenlik sembollerinin amacı olası tehlikelere dikkatinizi çekmektir. Güvenlik sembolleri ve yanlarındaki açıklamalar özel dikkat ve anlayış göstermenizi gerektirir. Uyarı sembolleri kendi başlarına herhangi bir tehlikeyi göstermez. Sundukları talimat ve uyarılar uygun kaza önleme önlemlerinin yerine geçmez.

**UYARI:** Bu aleti kullanmadan önce, "TEHLİKE", "UYARI" ve "DİKKAT" gibi tüm güvenlik uyarı ve sembollerini içeren bu Kullanım Kılavuzu içerisindeki tüm güvenlik talimatlarını okuyup anladığınızdan emin olun. Aşağıdaki talimatların tamamına uyulmaması elektrik çarpması, yangın ve/veya ciddi kişisel yaralanma ile sonuçlanabilir.


## SEMBOLÜN ANLAMI



**⚠ UYARI:** Elektrikli aletlerin kullanımı yabancı nesnelerin gözlerinize fırlatılması sonucunu doğurabilir, bu da gözlerde ciddi hasara yol açabilir. Elektrikli aleti kullanmaya başlamadan önce, daima göz koruması veya yan siperleri olan koruyucu gözlük takın ve gerektiğinde tam yüz siperi kullanın. Gözlük üzerine kullanın için Wide Vision Koru-yucu Maske ya da yan siperleri olan standart koruyucu gözlükleri tavsiye ederiz.

## GÜVENLİK TALİMATLARI

Bu sayfada, bu ürün üzerinde görülebilecek güvenlik sembolleri gösterilmekte ve açıklanmaktadır. Makineyi monte etmeye ve kullanmaya başlamadan önce, maki-neye ilişkin tüm talimatları okuyup anlayın ve bu talimat-lara uyun.

	Güvenlik Uyarısı	Olası bir yaralanma tehlikesi olduğunu belirtir.
	Kullanma kılavuzunu okuyun	Yaralanma riskini azaltmak için kullanıcı bu ürünü kullanmadan önce kullanım kılavuzunu okuyup anlamalıdır.
	Koruyucu Gözlük Takın	Bu ürünü kullanırken daima göz koruması, yan siperleri olan koruyucu gözlük ya da tam yüz maskesi takın.
	CE	Bu ürün, yürürlükteki AB yönetmeliklerine uygundur.
	WEEE	Atık elektrikli ürünler, evsel atıklar ile birlikte bertaraf edilmemelidir. Yetkili bir geri dönüşüm merkezine teslim edilmelidir.
	Yağmura Maruz Bırakmayın	Bu ürünü yağmur altında kullanmayın veya yağmur yağarken dışarıda bırakmayın.
IPX5	IP Sembölü	Su girişine karşı koruma sınıfı 5
V	Volt	Voltaj
mm	Milimetre	Uzunluk veya boyut
cm	Santimetre	Uzunluk veya boyut
kg	Kilogram	Ağırlık
	Doğru Akım	Akımın türü veya özelliği

**⚠ UYARI:** Tüm talimatları ve **⚠** sembolü ile belirtilen tüm güvenlik uyarılarını okuyun.

**Tüm uyarı ve talimatları gelecekte başvuru amacıyla muhafaza edin.**

Uyarılarda geçen "elektrikli alet" terimi ile elektrik prizinden beslenen (kablolu) elektrikli alet veya şarjlı (kablolu) elektrikli alet kastedilmektedir.

## ⚠ Elektrikli Aletler için Genel Güvenlik Uyarıları – Çalışma alanı güvenliği.

- Çalışma alanını temiz tutun ve yeterli aydınlatma sağlayın. Karışık veya karanlık alanlar kazalara yol açar.
- Elektrikli aletleri yanıcı sıvılar, benzin veya tozların bulunduğu yerler gibi patlayıcı ortamlarda çalıştırmayın. Elektrikli aletlerden çıkan kıvılcıklar toz veya gazları tutuşturabilir.
- Bir elektrikli aleti kullanırken çocukların ve etraftaki kişilerin aletten uzakta olduğundan emin olun. Dikkatinizin dağılması kontrolü kaybetmenize neden olabilir.

## ⚠ Elektrikli Aletler için Genel Güvenlik Uyarıları – Elektrik güvenliği.

- Elektrikli aletin fişi prize uygun olmalıdır. Fiş üzerinde asla değişiklik yapmayın. Topraklanmış elektrikli aletler için herhangi bir adaptör fişi kullanmayın. Üzerinde değişiklik yapılmamış fişler ve uygun prizler elektrik çarpması riskini azaltır.
- Boru, radyatör, fırınlı ocak ve buzdolabı gibi topraklanmış yüzeylerle temastan kaçının. Topraklanmış yerlerle temas etmeniz halinde elektrik çarpması riski artar.
- Elektrikli aletleri yağmura veya ıslak ortamlara maruz bırakmayın. Elektrikli alet içine giren su, elektrik çarpması riskini artırır.
- Kabloyu hatalı kullanmayın. Kabloyu elektrikli aleti taşımak, çekmek veya prizden çıkarmak için kullanmayın. Kabloyu sıcaktan, yağdan, keskin kenarlardan veya hareketli parçalardan uzak tutun. Hasarlı veya birbirine dolaşmış kablolar elektrik çarpması riskini artırır.
- Bir elektrikli aleti açık havada kullanırken, uygun bir dış mekan uzatma kablosu kullanın. Dış mekan için uygun bir kablunun kullanılması elektrik çarpması riskini azaltır.
- Elektrikli aletin rutubetli bir ortamda kullanılması gerekiyorsa kaçak akım rölesi bulunan bir şebeke kullanın. GFCI (toprak hata devre kesicisi) kullanımı elektrik çarpması riskini azaltır.

## ⚠ Elektrikli Aletler için Genel Güvenlik Uyarıları – Kişisel Güvenlik.

- Elektrikli aletleri kullanırken daima dikkatli olun, yaptığınız işe yoğunlaşın ve sağduyulu davranın. Yorgunken, uyuşturucu, alkol veya ilaçlı bir tedavi etkisi altındayken elektrikli aleti kullanmayın. Elektrikli aletleri kullanırken bir anlık dikkatsizlik ciddi yaralanmayla sonuçlanabilir.

- Kişisel koruyucu ekipman kullanın. Daima koruyucu gözlük takın. Koşullara uygun toz maskesi, kaymaz emniyet ayakkabıları, kask veya işitme koruması gibi koruyucu ekipman kullanılması yaralanmaları azaltır.
- Yanlışlıkla çalıştırmaktan kaçının. Aleti güç kaynağına ve/veya aküye takmadan, havaya kaldırmadan veya taşımadan önce açma kapatma düğmesinin kapalı olduğundan emin olun. Aleti, parmağınızın açma kapatma düğmesinin üzerindenkeyken taşımak veya alet açırken fişi prize takmak kazalara davetiye çıkarır.
- Elektrikli alete takılı herhangi bir alyan veya anahtar varsa aleti çalıştırmadan önce bunları çıkarın. Elektrikli aletin döner parçalarına takılı bir alyan veya anahtar yaralanmalara neden olabilir.
- Dengesiz bir duruşla çalışma yapmayın. Çalışma süresince ayaklarınızı sağlam basın ve dengeyi koruyun. Bu sayede beklenmedik durumlarda elektrikli alet daha iyi kontrol edilebilir.
- Uygun bir şekilde giyinin. Bol giysiler giymeyin veya takı takmayın. Saçlarınızı, elbiselerinizi ve eldivenlerinizi hareketli parçalardan uzak tutun. Bol giysiler, takılar veya uzun saçlar aletin hareketli parçalarına takılabilir.
- Toz emme ve toplama araçlarının bağlantısı için sağlanan cihazlar varsa bunların takılı olduğundan ve düzgün bir biçimde kullanıldığından emin olun. Toz tutucu cihazların kullanımını tozdan kaynaklanabilecek tehlikeleri azaltabilir.
- Aletleri sık kullanarak edindiğiniz alışkanlık rahat olmanıza ve aletin güvenlik ilkelerini göz ardı etmenize neden olmamalıdır. Dikkatsiz bir hareket, bir saniyeden daha kısa bir sürede ağır yaralanmalara neden olabilir.

## ⚠ Elektrikli Aletler için Genel Güvenlik Uyarıları – Elektrikli Alet Kullanımı ve Bakımı.

- Elektrikli aleti zorlamayın. Yaptığınız işe uygun elektrikli aleti kullanın. Doğru elektrikli alet, tasarımına uygun değerlerde kullanıldığında daha iyi ve daha güvenli çalışır.
- Açma kapatma düğmesi çalışmıyorsa elektrikli aleti kullanmayın. Açma kapatma düğmesi ile kontrol edilemeyen bir elektrikli alet tehlikelidir ve onarılması gerekir.
- Herhangi bir ayar işlemi, aksesuar değişimi veya elektrikli aletlerin depolanması öncesinde fişi prizden çekin ve/veya aküyü elektrikli aletten çıkarın. Bu tür önleyici güvenlik önlemleri, elektrikli aletin yanlışlıkla çalışması riskini azaltır.

- **Kullanılmayan elektrikli aletleri çocukların erişemeyeceği yerlerde saklayın ve elektrikli alet veya bu talimatlar hakkında bilgi sahibi olmayan kişilerin elektrikli aleti kullanmasına izin vermeyin.** Elektrikli aletler eğitimsiz kullanıcıların elinde tehlikelidir.
- **Elektrikli aletlerin bakımını yapın. Hareketli parçaların hizalanmasının veya bağlanmasının doğru yapıp yapılmadığını, parçalarda hasar olup olmadığını ve elektrikli aletin çalışmasını etkileyebilecek tüm diğer koşulları kontrol edin.** Elektrikli alet hasarlı ise kullanmadan önce onarılmasını sağlayın. Kazaların çoğu, elektrikli alet bakımının yeterli şekilde yapılmamasından kaynaklanır.
- **Kesici aletleri keskin ve temiz tutun.** Keskin kesim kenarlarına sahip, bakımı düzgün yapılmış kesim aletleri daha az sorun çıkarır ve kontrolü kolaydır.
- **Elektrikli aleti, aksesuarlarını ve alet uçlarını vb. çalışma şartlarını ve yapılacak işi dikkate alarak bu talimatlara uygun şekilde kullanın.** Elektrikli aletin kullanım amacı dışındaki işlerde kullanılması tehlikeli durumlara neden olabilir.
- **Tutma saplarını ve kavrama yüzeylerini kuru, temiz, benzin ve yağdan uzak tutun.** Kaygan saplar ve kavrama yüzeyleri, aletin beklenmeyen durumlarda güvenli bir şekilde tutulmasına ve kontrol edilmesine izin vermez.
- **PPX1000 model bu 56V elektrikli teleskobik sap sadece aşağıdaki EGO aparatlarıyla veya bu elektrikli teleskobik sap ile kullanım için EGO tarafından daha sonra piyasaya sürülecek ürünlerle kullanılabilir:**

APARAT TÜRÜ	MODEL NUMARASI
Çit Budama Aparatı	PTX5100
Yüksek Dal Budama Testeresi Aparatı	PSX2500

## ⚠ Elektrikli Aletler için Genel Güvenlik Uyarıları – Aküyle Çalışan Aletlerin Kullanımı ve Bakımı.

- **Sadece üretici tarafından belirtilen şarj cihazı ile şarj edin.** Bir akü için uygun olan şarj cihazı, başka bir akü ile kullanıldığında yangın riski oluşturabilir.
- **Elektrikli aletleri sadece özel olarak üretilmiş akülerle kullanın.** Başka akü türlerinin kullanımı yaralanma ve yangın tehlikesi oluşturabilir.
- **Akülerin kullanımda olmadığı durumlarda, aküleri ataş, bozuk para, anahtar, çivi, vida veya pil kutupları arasında kısa devre yapabilecek diğer metal nesnelere uzak tutun.** Akü kutuplarının kısa devre yapılması yangın veya yanıklara neden olabilir.

- **Kötü şartlar altında aküden sıvı akışı olabilir; sıvı ile temas etmekten kaçının.** Yanlışlıkla temas edilirse etkilenen bölgeyi su ile yıkayın. Sıvı göze temas ederse ayrıca tıbbi yardım alın. Aküden akan sıvı tahriş veya yanıklara neden olabilir.
- **Aküyü veya aleti hasarlı veya üzerinde değişiklik yapılmış şekilde kullanmayın.** Hasarlı veya üzerinde değişiklik yapılmış aküler yangın, patlama veya yaralanma riskine neden olacak şekilde beklenmeyen davranışlar gösterebilir.
- **Aküyü veya aleti ateşe veya aşırı sıcaklıklara maruz bırakmayın.** Ateşe veya 130 °C'nin üzerindeki sıcaklıklara maruz kalması patlamaya neden olabilir.
- **Tüm şarj talimatlarına uyun ve akü veya aleti talimatlarda belirtilen sıcaklık aralığının dışındaki sıcaklıklarda şarj etmeyin.** Hatalı veya belirtilen sıcaklık aralığının dışındaki sıcaklıklarda şarj etmek, aküye zarar verebilir ve yangın riskini artırır.

## ⚠ Elektrikli Aletler için Genel Güvenlik Uyarıları – Servis.

- **Elektrikli aletinizin bakımını, sadece orijinal yedek parça kullanan uzman bir tamirciye yaptırın.** Bu sayede elektrikli aletin emniyetinin korunmasını sağlanır.
- **Asla hasarlı aküleri bakım-onarım yapmayın.** Akülerin bakımı sadece üretici veya yetkili servisler tarafından yapılmalıdır.
- **Bu kılavuzda yer almayan durumlar meydana gelirse dikkatli ve sağduyulu davranın.** Yardım için EGO Servis Merkeziyle iletişime geçin.

## BU TALİMATLARI SAKLAYIN

## EK ÖZEL GÜVENLİK KURALLARI İLGİLİ AKSESUARIN KULLANICI KILAVUZUNDA BULUNABİLİR

## TEKNİK ÖZELLİKLER

Voltaj	56 V ---
Önerilen Çalışma Sıcaklığı	0 °C - 40 °C
Önerilen Depolama Sıcaklığı	-20 °C - 70 °C
Ağırlık	3,9 kg

TR

## AÇIKLAMA

### ELEKTRİKLİ TELESKOBİK SAP ÜRÜNÜNÜZÜ TANIYIN (Şek. A)

1. Arka Tutma Kolu
2. Kilitleme Dili
3. Taşıma Halkası
4. Ön Tutma Kolu
5. Sıkıştırma Bileziği
6. Mil Çıkarma Düğmesi

7. Kilitleme Düğmesi
8. Kaplin
9. Teleskobik Boru
10. Değişken Hız Tetiği
11. Alet Desteği
12. Omuz Askısı
13. Çıkarma Mekanizması
14. Mandal
15. Akü Çıkarma Düğmesi
16. Anahtar Yuvası
17. Çok Amaçlı Anahtar

## AMBALAJ İÇERİĞİ (ŞEK. A)

### MONTAJ

**⚠ UYARI:** Hasarlı veya eksik parça varsa bu parçalar değiştirilinceye kadar ürünü çalıştırmayın. Bu ürünün hasarlı veya eksik parçalar ile kullanılması ciddi yaralanmalara yol açabilir.

**⚠ UYARI:** Parçaları monte ederken, ayar yaparken, temizlikten önce ve ürün kullanımda değilken daima aküyü üründen çıkarın.

### ELEKTRİKLİ TELESKOBİK SAPA APARAT TAKILMASI

**⚠ UYARI:** Bu elektrikli teleskobik sap ile birlikte kullanılan isteğe bağlı aparatların her biriyle ilgili Kullanım Kılavuzunu tamamen okuyup anlayın ve tüm uyarılara ve talimatlara uyun. Talimatların tamamına uyulmaması elektrik çarpması, yangın ve/veya ciddi yaralanma ile sonuçlanabilir.

**⚠ UYARI:** PPX1000 model bu 56V elektrikli teleskobik sap sadece bu Kullanım Kılavuzunda belirtilen EGO aparat modelleriyle veya bu elektrikli teleskobik sap ile kullanım için EGO tarafından daha sonra piyasaya sürülecek ürünlerle birlikte kullanılmak üzere tasarlanmıştır. Onaysız herhangi bir başka aparatın kullanılması ciddi yaralanmalara veya maddi hasara neden olabilir.

**⚠ UYARI:** Elektrikli teleskobik sap çalışırken veya akü takılıyken asla herhangi bir aparatı takmayın, çıkarmayın veya ayarlamayın. Motorun durdurulmaması ve akünün çıkarılmaması ciddi yaralanmalara neden olabilir.

Aparat bir kaplinle elektrikli teleskobik sapa bağlanır.

1. Motoru durdurun ve aküyü çıkarın.
2. Kilitleme düğmesini gevşetin.
3. Aparat milindeki ok ile kaplin üzerindeki göstergelyi hizalayın ve aparat milini net bir "tık" sesi duyana kadar kapline doğru itin. Kaplin, mil üzerindeki referans çizgisine kadar tamamen yerleşmiş olmalıdır,

böylece aparat mili düzgün bir şekilde monte edilmiş olur. (Şek. B).

B-1	Mil Çıkarma Düğmesi	B-4	Referans Çizgisi
B-2	Hızalama Göstergesi	B-5	Kilitleme Düğmesi
B-3	Ok İşareti		

4. Aparatın sıkı bir şekilde kapline geçtiğinden emin olmak için aparatın milini çekin. Sıkıca geçmemişse yerine oturana kadar aparat milini kapline itin.
5. Kilitleme düğmesini sağlam bir şekilde sıkın.

**⚠ UYARI:** Cihazı çalıştırmadan önce kilitleme düğmesinin tamamen sıkıldığından emin olun. Ciddi yaralanmaların önüne geçmek için kullanım sırasında düğmenin sıkılığını düzenli olarak kontrol edin.

### APARATIN ELEKTRİKLİ TELESKOBİK SAPTAN ÇIKARILMASI

1. Motoru durdurun ve aküyü çıkarın.
2. Kilitleme düğmesini gevşetin.
3. Şaft serbest bırakma düğmesine basın, ardından düğmeyi basılı tutarak ataşmanın şaftını bağlantı parçasından çekerek çıkarın.

### OMUZ ASKISININ TAKILMASI (Şek. C)

Askı kancasına basarak açın ve taşıma halkasına takın.

### TELESKOBİK BORUNUN UZATILMASI

Bu alet, 960 mm'ye kadar uzayabilen (tamamen uzatıldığında) teleskobik bir boru ile donatılmıştır.

Teleskobik boruyu istenilen uzunlukta tutmak için sıkıştırma bileziği kullanılır.

1. Teleskobik boruyu uzatmak için kilit açma simgesine doğru sıkıştırma bileziğini gevşetin. Teleskobik boru serbestçe kaydırılabilir (Şek. D).

D-1	Sıkıştırma Bileziği	D-2	Maksimum sınır göstergesi
-----	---------------------	-----	---------------------------

2. Teleskobik boruyu istenilen uzunluğa uzatın.
3. Teleskobik boruyu bulunduğu pozisyonda kilitlemek için kilit simgesine doğru sıkıştırma bileziğini sıkın.

**⚠ UYARI:** Elinizin veya parmaklarınızın sıkışmaması için lütfen her adımda dikkatli olun.

### ÇALIŞTIRMA

**⚠ UYARI:** Bu ürüne karşı edindiğiniz alışkanlıklar sizi dikkatsiz yapmasına izin vermeyin. Bir anlık dikkatsizliğiniz ciddi yaralanmalara sebep olabileceğini unutmayın.



**⚠ UYARI:** Daima koruyucu gözlük takın. Aksi halde gözlerinize nesnelere fırlayabilir ve başka ciddi yaralanmalar oluşabilir.

**⚠ UYARI:** Bu ürünün üreticisi tarafından önerilmeyen herhangi bir aparatı veya aksesuarı kullanmayın. Önerilmeyen aparatların veya aksesuarların kullanımı ciddi yaralanmalara sebep olabilir.

## AKÜNÜN TAKILMASI/ÇIKARILMASI

**NOT:** İlk kullanımdan önce aküyü tamamen şarj edin.

### Takmak için

Aküdeki montaj kanalları ile montaj yuvalarını hizalayın ve bir "tik" sesi duyana kadar aküyü bastırın (Şek. E).

E-1	Montaj Yuvası	E-2	Montaj Kanalı
-----	---------------	-----	---------------

### Çıkarmak için

Akü çıkarma düğmesine basın ve aküyü çekip çıkarın (Şek. F).

**⚠ UYARI:** Aleti taşıırken veya naklederken, ciddi yaralanmaların oluşmasını önlemek için her zaman aküyü çıkarın ve ellerinizi kilitleme dilinden ve tetikten uzak tutun.

## OMUZ ASKISI

Güvenli ve daha iyi çalışma için kullanıcının kollarındaki ağırlığı azaltmak amacıyla omuz askısını Şek. G'de gösterildiği gibi omuza geçirin. Omuz askısını rahat bir çalışma konumuna ayarlayın.

Askıyı çıkarmak için iki yöntem vardır. Doğrudan omuzunuzdan çıkarabilirsiniz (Şek. H) veya askının kancasına bastırarak mil üzerindeki sabit taşıma halkasından ayırabilirsiniz (Şek. I).

**⚠ UYARI:** Omuz askısı aynı zamanda tehlikeli durumlarda hızla çıkarılabilen bir mekanizmadır. Acil bir durumda, askıyı hangi şekilde takılı olursa olsun derhal omuzunuzdan çıkarın.

## ELEKTRİKLİ TELESKOBİK SAPIN TUTULMASI

Elektrikli teleskobik sap gelişmiş ikili tetik sistemi ile donatılmıştır (Şek. J). Her bir tetik sistemi aleti bağımsız olarak açıp kapatabilir. Bu yenilikçi ikili kontrol yöntemi, zorlu günlük işlerde en ergonomik şekilde çalışılmasını sağlar. (Şek. K ve L).

## ELEKTRİKLİ TELESKOBİK SAPIN ÇALIŞTIRILMASI/ DURDURULMASI

### Elektrikli teleskobik sapı çalıştırmak için

Kilitleme dilini ileri itin ve elektrikli teleskobik sapı çalış-

tırmak için değişken hız tetiğine basın. Değişken hız tetiğine ne kadar çok basılırsa başlık aparatının hızı da o kadar yüksek olur.

### Durdurmak için

Değişken hız tetiğini ve kilitleme dilini serbest bırakın.

## BAKIM

**⚠ UYARI:** Bakım yaparken sadece aynı olan yedek parçaları kullanın. Makineyi düzenli olarak kontrol edin ve bakımını yapın. Emniyet ve güvenilirliği sağlamak için tüm tamir işleri uzman bir servis teknisyeni tarafından yapılmalıdır.

**⚠ UYARI:** Cihazın kontrol, temizlik veya bakımından önce motoru durdurun ve tüm hareketli parçaların durmasını bekleyin, ardından aküyü çıkarın. Bu talimatlara uyulmaması ciddi kişisel yaralanmalara veya maddi hasara yol açabilir.

**⚠ DİKKAT:** Her kullanımdan önce ürünü inceleyerek hasarlı, eksik veya vida, somun, civata, kapak vb. gevşek parça olup olmadığını kontrol edin. Tüm bağlantı parçalarını ve kapakları sıkın, bu ürünü eksik veya hasarlı parçalar tamamlanmadan çalıştırmayın. Müşteri hizmetleri veya kalifiye bir servis teknisyeni ile iletişime geçin.

## GENEL BAKIM

Plastik parçaları temizlerken çözücü maddeler kullanmaktan kaçının. Çoğu plastik malzeme çeşitli ticari çözücü türlerinden etkilenmeye yatkındır ve bu çözücü maddele-rin kullanılması durumunda zarar görebilirler. Kir, toz, yağ, gres vb. gidermek için temiz bez kullanın.

## ELEKTRİKLİ TELESKOBİK SAPIN TEMİZLENMESİ

1. Motoru durdurun ve aküyü çıkarın.
2. Az miktarda deterjanlı nemli bir bez kullanarak elektrikli teleskobik saptaki kiri ve kalıntıları temizleyin.

**DİKKAT:** Plastik gövde veya tutma sapı üzerinde güçlü deterjanlar kullanmayın. Çam ve limon gibi bazı aromatik yağlar bu yüzeylere zarar verebilir.

## ELEKTRİKLİ TELESKOBİK SAPIN DEPOLANMASI

1. Depolamadan önce elektrikli teleskobik saptan aküyü çıkarın.
2. Elektrikli teleskobik saptan tüm yabancı maddeleri temizleyin.
3. Aleti çocukların ulaşamayacağı bir yerde depolayın.
4. Bahçe kimyasalları ve buz eritici tuzlar gibi aşındırıcı maddelerden uzak tutun.

## Çevre koruması



Elektrikli cihazları, akü şarj cihazını ve aküleri/şarj edilebilir aküleri evsel atıklarla birlikte atmayın!

## SORUN GİDERME

İlgili aparatın kullanım kılavuzuna bakın.

## GARANTİ

### EGO GARANTİ POLİTİKASI

EGO Garanti politikasına ilişkin tüm hüküm ve koşullar için, lütfen [egopowerplus.com](http://egopowerplus.com) adresindeki web sitemizi ziyaret edin.

## LUGEGE KÕIKI JUHISEID!



### LUGEGE KASUTUSJUHENDI

**⚠ Kaasnev risk!** Inimesed, kes kasutavad elektroonilisi seadmeid, nt südamestimulaatorit, peaksid enne selle toote kasutamist konsulteerima oma arstiga. Elektriseadmete kasutamine südamestimulaatori läheduses võib põhjustada südamestimulaatori häireid või rikkeid.

**⚠ HOIATUS!** Ohutuse ja töökindluse tagamiseks tohivad seda seadet remontida ainult vastava kvalifikatsiooniga hooldustehnikud.

## OHUTUSSÜMBOL

Ohutussümbolite eesmärk on pöörata tähelepanu võimalikele ohtudele. Ohutussümbolitele ja nende juures olevatele seletustele tuleb korralikult tähelepanu pöörata ja need endale selgeks teha. Ohutussümbolid iseenesest ei kõrvalda ohu olemasolu. Nendega kaasnevad juhendid ja hoiatused ei asenda asjakohaseid õnnetuste ennetamise meetmeid.

**HOIATUS!** Enne käesoleva seadme kasutamist lugege kindlasti läbi ja tehke endale selgeks kõik Kasutusjuhendis toodud ohutusjuhised, sh kõik ohutussümbolid nagu „OHT“, „HOIATUS“, ja „ETTEVAATUST“. Kui kõiki alpool loetletud juhiseid ei järgita, võib tagajärjeks olla elektrilöök, tulekahju ja/või tõsised isikuvigastused.

## SÜMBOLITE TÄHENDUSED



**⚠ HOIATUS!** Mis tahes elektriliste tööriistade kasutamine võib põhjustada võõrkehade paiskumist silma, mis võib põhjustada raskeid silmakahjustusi. Kandke elektriliste tööriistade kasutamise ajal alati kaitseprille või külgkaitsetega kaitseprille ja vajadusel täielikku näokaitset. Soovitame kanda prillide peal laia vaatealaga kaitsemaski või tavalisi külgkaitsetega kaitseprille.

## OHUTUSJUHISED

Sel lehel on kujutatud ja kirjeldatud ohutusümboliteid, mida võib käesolevalt tootelt leida. Enne seadme kokkupanemist ja kasutamist lugege, tehke omale selgeks ja järgige kõiki juhiseid.

	Ohutusteade	Tähistab võimalikku kehavigastuste ohtu.
	Lugege kasutusjuhendit	Vigastuste ohu vähendamiseks peab kasutaja enne toote kasutamist lugema kasutusjuhendit ja selle endale selgeks tegema.
	Kandke kaitseprille	Kandke selle toote kasutamise ajal alati kaitseprille või külgkaitsetega kaitseprille ja täielikku näokaitset.
	CE	Toode vastab rakendatavatele EÜ direktiividele.
	WEEE	Elektriseadmete jäätmeid ei tohi visata olmejäätmete hulka. Viige volitatud taaskäitaja juurde.
	Mitte jätta vihma kätte	Mitte kasutada vihma käes ega jätta välistingimustesse vihmajärgel.
IPX5	JP-sümbol	5. astme kaitse vee sissepääsu vastu
V	volti	Pinge
mm	Millimeeter	Pikkus või suurus
cm	Sentimeeter	Pikkus või suurus
kg	Kilogramm	Kaal
	Alalisvool	Voolu tüüp või omadus

**⚠ HOIATUS!** Lugege kõiki **⚠** sümboliga tähistatud ohuteteid ja kõiki juhiseid.

Säilitage kõik hoiatused ja juhised hilisemaks kasutuseks.

Hoiatuses kasutatud termin "elektritööriist" viitab voolu jõul (juhtmega) töötavale elektrilisele tööriistale või aku jõul töötavale (juhtmeta) elektrilisele tööriistale.

ET

## **⚠ Elektritööriista üldised ohutusjuhised/hoiatused - Tööala ohutus.**

- Tööpiirkond peab olema puhas ja hästi valgustatud. Segadus või valgustamata tööpiirkonnad võivad põhjustada õnnetusi.
- Ärge kasutage elektritööriistu plahvatusohtlikus keskkonnas, kus leidub nt tuleohtlikke vedelikke, bensiini või tolmu. Elektritööriistad tekitavad sädemeid, mis võivad süüdata tolmu või aurusid.
- Elektritööriistadega töötamisel hoidke lapsed ja kõrvalised isikud eemal. Tähelepanu hajumisel võite kaotada kontrolli seadme üle.

## **⚠ Elektritööriista üldised ohutusjuhised/hoiatused - elektriõhutus.**

- Elektritööriistad tuleb ühendada sobivasse pistikupesasse. Ärge kunagi muutke pistikut mitte mingil viisil. Ärge kasutage maandatud elektritööriistadega mistahes üleminekuadaptoreid. Muutmata pistikud ja sobivad pistikupesad vähendavad elektrilöögi ohtu.
- Vältige kehalist kontakti maandatud pindadega (nt torud, radiaatorid, katted, külmikud). Kui teie keha on maandatud, suureneb elektrilöögi oht.
- Ärge jätke elektritööriistu vihma kätte ega niisketesse tingimustesse. Vee sattumine elektritööriista sisse suurendab elektrilöögi ohtu.
- Ärge rikkuge juhet. Ärge kasutage juhet elektritööriista kandmiseks või tõmbamiseks ja ärge tõmmake juhtmest, kui soovite pistikut pistikupesast eemaldada. Vältige juhtme kokkupuudet kuumade esemete, õli, teravate servade või liikuvate osadega. Kahjustatud või puntras juhe suurendab elektrilöögi ohtu.
- Elektritööriistaga välitingimustes töötamiseks kasutage välitingimustesse sobivat pikendusjuhet. Välitingimustesse sobiva juhtme kasutamine vähendab elektrilöögi ohtu.
- Kui peate kindlasti elektritööriista märjas kohas kasutama, kasutage seadet, millel on maandusrikke katkestus. Selle reegli järgimine vähendab elektrilöögi ohtu.

## **⚠ Elektritööriista üldised ohutusjuhised/hoiatused - isikuohutus.**

- Olge tähelepanelik, töötage hoolikalt ja rakendage tervet mõistust. Ärge kasutage elektritööriista, kui olete väsinud või tarvitanud narkootikume, alkoholi või ravimeid. Vaid hetkeline tähelepanematus elektritööriista kasutamisel võib põhjustada raskeid kehavigastusi.

- Kasutage isikukaitsevahendeid. Kandke alati silmakaitsevahendeid. Töötingimustele vastava kaitsevarustuse (nt tolmu maski, libisemiskindlate turvajalanõude, kiivri või kuulmiskaitsete) kasutamine vähendab kehavigastuste ohtu.
- Ennetage tööriista tahtmatut käivitamist. Enne tööriista vooluvõrgu ja/või akuplokiga ühendamist ning enne tööriista kandmist või üles tõstmist veenduge, et lüliti on mitteaktiivses asendis. Elektritööriistade kandmine sõrme lüliti hoides või aktiivses olekus lülitiga põhjustab õnnetusi.
- Enne tööriista sisselülitamist eemaldage sellelt kõik reguleerimis- ja mutrivõtmed. Elektritööriista pöörleva osa külge unustatud võtmed vms tööriistad võivad põhjustada kehavigastusi.
- Ärge küünitage liiga kaugele. Töötage ainult kindlal pinnal ja kohtades, kus pole ohtu tasakaalu kaotada. Nii säilitate ootamatutes olukordades parema kontrolli elektritööriista üle.
- Riietuge asjakohaselt. Ärge kandke ehteid ega avaraid riideid. Vältige juuste, riiete ja kinnaste kokkupuudet liikuvate osadega. Liiga avarad riided, ehted ja pidud juuksed võivad liikuvate osade vahele kinni jääda.
- Kui tootega on kaasas vahendid tolmuärastus- ja kogumisseadmete ühendamiseks, siis veenduge, et need seadmed on korralikult ühendatud ja asjakohases kasutuses. Tolmukogumisseadmete kasutamine vähendab tolmu seotud ohtusid.
- Kui seade on teile sagedase kasutamise tulemusel harjumuspäraseks saanud, ärge laske ennast lõdvaks ega ignoreerige tööriista kasutamise ohutusreegleid. Hooletuse tõttu võite saada tõsiselt vigastusi ka sekundi murdosa jooksul.

## **⚠ Elektritööriista üldised ohutusjuhised/hoiatused - elektritööriista kasutamine ja hooldus.**

- Ärge rakendage elektritööriista kasutamisel jõudu. Kasutage konkreetseks tööks sobivat elektritööriista. Sobiva elektritööriistaga sobival kiirusel töötades saate töö valmis kiiresti ja ohutult.
- Ärge kasutage elektritööriista, mida ei saa lülitist sisse ja välja lülitada. Elektritööriistad, mille lüliti ei tööta, on ohtlikud ja tuleb parandada.
- Eemaldage juhe vooluvõrgust ja/või akuplokk elektritööriista küljest enne, kui alustate tööriista kohandamist, tarvikute lisamist või eemaldamist ja enne elektritööriista hoiustamist. Selliste ohutusmeetmete rakendamisel vähendate elektritööriista juhusliku käivitamise võimalust.

- **Elektritööriistu, mida te hetkel ei kasuta, hoidke lastele kättesaamatus kohas ning ärge lubage nendega töötada isikutel, kes pole tööriistade tööpõhimõtete või käesoleva juhendiga tutvunud.** Koolitatamata isikute käes on elektritööriistad ohtlikud.
- **Elektritööriistade hooldamine** Kontrollige, et liikuvad komponendid on korrektselt joondatud ja ükski osa ei ole katki ning jälgige ka muid aspekte, mis võiksid elektritööriista omadusi mõjutada. **Kahjustatud elektritööriist tuleb enne kasutamist parandada.** Halvasti hooldatud elektritööriistad põhjustavad palju õnnetusi.
- **Hoidke oma löiketööriistad teravad ja puhtad.** Korralikult hooldatud ja teravate servadega löikevahendid ei kiilu nii kergesti kinni ja on lihtsamini kontrollitavad.
- **Kasutage elektritööriista, selle tarkuikuid, tööriistaosi jm vastavalt käesolevale juhendile, võttes arvesse töötingimusi ja teostatavat tööd.** Elektritööriista mittesihipärane kasutamine võib põhjustada ohtlikke olukordi.
- **Hoidke käepidemed ja haardepinnad kuivad ja puhtad ning vältige neile õli ja rasva sattumist.** Libedad käepidemed ja haardepinnad takistavad seadme ohutut kasutamist ja käsitsemist ootamatutes olukordades.
- Seda 56 V teleskoopitoitepead PPX1000 võib kasutada vaid koos järgnevate EGO tarkvikutega või selliste tarkvikutega, mida EGO on selle teleskoopitoitepeaga kasutamiseks soovitanud.

TARVIKU TÜÜP	MUDELI NUMBER
Hekilõikuri tarkvik	PTX5100
Teleskoopsae tarkvik	PSX2500

### **⚠ Elektritööriista üldised ohutusjuhised/hoiatused - akutööriista kasutamine ja hooldus.**

- **Kasutage laadimiseks ainult tootja poolt ette nähtud laadijaid.** Akulaadija, mis sobib teatud tüüpi akuplokile, võib põhjustada tulekahju ohtu, kui seda kasutada mõne teise akuplokiga.
- **Kasutage elektritööriista ainult nende jaoks ette nähtud akuplokkidega.** Mõne muu akuploki kasutamine võib põhjustada vigastuste ja tulekahju ohtu.
- **Kui akut ei kasutata, hoidke seda eemal muudest metallesemetest nagu kirjaklambritest, müntidest, võtmetest, naeltest, kruvidest ja muudest väikestest metallesemetest, mis võivad klemmide vahel ühenduse luua.** Akuklemmide lühiühendus võib

põhjustada põletushaavu ja tulekahju ohtu.

- **Valedes tingimustes kasutamisel võib akust vedelikku välja tulla; vältige kokkupuudet sellega.** Kokkupuute korral loputage veega. Kui vedelik satub silma, pöörduge lisaks ka arsti poole. Akust ertuv vedelik võib põhjustada ärritust või põletusi.
- **Ärge kasutage kahjustunud või modifitseeritud akuplokki või tööriista.** Kahjustunud või modifitseeritud akud võivad toimida ettearvamatu, mille tagajärjeks võivad olla tulekahju, plahvatus või vigastuste oht.
- **Vältige akuploki või tööriista kokkupuudet tule või liiga kõrge temperatuuriga.** Kokkupuude lahtise tule või temperatuuriga üle 130°C võib põhjustada plahvatuse.
- **Järgige kõiki laadimisjuhiseid ja ärge laadige akuplokki või tööriista vale temperatuuri juures (vt juhiseid).** Valesti või valel temperatuuril laadimine võib kahjustada akut ja suurendada tulekahju ohtu.

### **⚠ Elektritööriista üldised ohutusjuhised/hoiatused - hooldus.**

- **Laske oma elektritööriista hooldada kvalifitseeritud remonditehnikul, kes kasutab ainult identseid originaalvaruosi.** See tagab elektritööriista ohutuse.
- **Ärge kunagi hooldage kahjustunud akuplokke.** Akuplokkide hooldust võib teostada ainult tootja või volitatud teeninduskeskus.
- Kui esineb olukordi, mida pole käesolevas juhendis kirjeldatud, käituge hoolsalt ja lähtuge tervest mõistusest. Küsige abi EGO hoolduskeskusest.

### **HOIDKE SEE KASUTUSJUHEK ALLES TÄIENDAVAD OHUTUSJUHEK LEIATE VASTAVA TARVIKU KASUTUSJUHEKIST**

## **SPETSIFIKATSIOONID**

Pinge	56 V ---
Soovituslik töökeskkonna temperatuur:	0°C-40°C
Soovituslik hoiustamise temperatuur	-20°C-70°C
Kaal	3,9 kg

**ET**

## **KIRJELDUS**

### **TUNNE OMA TELESKOOPITOITEPEAD (joon. A)**

1. Tagumine käepide
2. Lukustuskeel
3. Kandeas
4. Eesmine käepide

5. Kinnitusnupp
6. Varre vabastusnupp
7. Lukustusnupp
8. Ühenduslüli
9. Teleskoopvars
10. Kiiruse reguleerimise päästik
11. Tööriista tugikäepide
12. Ölarihm
13. Väljutusmehhanism
14. Riiv
15. Akuvabastusnupp
16. Mutrivõtme hoidja
17. Kombivõti

## PAKENDI LOEND (Joon. A)

### KOKKUPANEK

**⚠ HOIATUS!** Kui mõni osa on kahjustatud või puudub, ärge kasutage toodet enne, kui see osa on parandatud. Kasutades kahjustatud või vajalikke komponentideta seadet, võite saada raskeid vigastusi.

**⚠ HOIATUS!** Toote kokkupanemise, reguleerimise, puhastamise või mittekasutamise ajaks tuleb alati eemaldada akuplokk.

### TARVIKU ÜHENDAMINE TELESKOOPTOITEPEAGA

**⚠ HOIATUS!** Lugege läbi ja tehke endale selgeks kõigi selle teleskoopitoitepeaga kasutatavate valikuliste tarvikute kasutusjuhendid ning järgige kõiki hoiatusi ja juhiseid. Juhiste eiramise tagajärjeks võib olla elektrilöök, tulekahju ja/või tõsised kehavigastused.

**⚠ HOIATUS!** See 56 V teleskoopitoitepea PPX1000 on mõeldud kasutamiseks vaid käesolevas kasutusjuhendis loetletud EGO tarvikutega või tarvikutega, mis on hiljem EGO poolt selle teleskoopitoitepea jaoks soovitatud. Teiste, lubamatute, tarvikute kasutamine võib tekitada tõsiseid vigastusi isikutele või varale.

**⚠ HOIATUS!** Ärge kunagi paigaldage, eemaldage või reguleerige ühtegi tarvikut, kui teleskoopitoitepea töötab või aku on paigaldatud. Mootori peatamata jätmine või aku eemaldamata jätmine võib põhjustada tõsiseid vigastusi.

Tarvik ühendatakse teleskoopitoitepeaga haakeseadel abil.

1. Seisake mootor ja eemaldage akuplokk.
2. Keerake lukustusnupp lahti.
3. Joondage tarviku varrel asuv nool haakeseadel oleva joondusindikaatoriga ja suruge tarvik varre haakeseadmesse, kuni kuulete klõpsatust, mis

annab märku tarviku korrektsest kinnitumisest nii, et haakeseadel on täielikult varre indikaatorjoonel. (joon. B).

B-1	Varre vabastusnupp	B-4	Indikaatorjoon
B-2	Joondusindikaator	B-5	Lukustusnupp
B-3	Noolemärgis		

4. Tõmmake tarviku vart, et veenduda kindlast haakeseadmega lukustumisest. Vajadusel lükake tarviku vart haakeseadmesse, kuni see klõpsatusega paika kinnitub.
5. Keerake lukustusnupp tugevalt kinni.

**⚠ HOIATUS!** Enne seadme kasutamist veenduge, et lukustusnupp on korralikult pingutatud ja kontrollige seda regulaarselt ka kasutamise ajal, sest sedasi ennetate võimalikke vigastusi.

### TARVIKU TELESKOOPITOITEPEAST EEMALDAMINE

1. Seisake mootor ja eemaldage akuplokk.
2. Keerake lukustusnupp lahti.
3. Vajutage varre vabastusnupu ja nuppu all hoides tõmmake tarviku vars ühendusosast välja.

### ÖLARIHMA PAIGALDAMINE (joon. C)

Vajutage rihma haagile, et see avada ja kinnitage see kandaaasa külge.

### TELESKOOPVARRE PIKENDAMINE

Tööriistal on teleskoopvars, mille pikkus täielikult väljatõmbamisel on 960 mm.

Teleskoopvarre mistahes pikkuses paigalhoidmiseks kasutatakse kinnitusnuppu.

1. Teleskoopvarre pikendamiseks vabastage kinnitusnupp vabastamise ikooni suunas. Teleskoopvars libiseb vabalt (joon. D)

D-1	Kinnitusnupp	D-2	Maksimumi piirjoon
-----	--------------	-----	--------------------

2. Tõmmake teleskoopvars välja, soovitud pikkusesse.
3. Teleskoopvarre paika lukustamiseks keerake kinnitusnupp kinni lukustamise ikooni suunas.

**⚠ HOIATUS!** Käte või sõrmede muljumise vältimiseks olge igal sammul äärmiselt ettevaatlik

## SEADME KASUTAMINE

**⚠ HOIATUS!** Ärge muutuge toodet tundma õppides hooletuks. Pidage mees, et raskeid vigastusi põhjustavaks õnnetuseks piisab ka sekundi murdosa pikkusest tähelepanematuses.

**⚠ HOIATUS!** Kandke alati silmakaitsevahendeid. Vastasel korral võib teile midagi silma paiskuda ja võite saada ka muud laadi raskeid vigastusi.

**⚠ HOIATUS!** Ärge kasutage lisaseadmeid või -tarvikuid, mida selle seadme valmistaja pole soovitanud. Mittesoovituslike lisaseadmete või -tarvikute kasutamine võib põhjustada raskeid kehavigastusi.

### AKUPLOKI PAIGALDAMINE/EEMALDAMINE

**MÄRKUS!** Laadike akuplokk enne esimest kasutuskorda täiesti täis.

#### Paigaldamiseks

Joondage aku sooned paigaldusavadega ja suruge akuplokki alla, kuni kuulete klõpsatust (joon. E).

E-1	Paigaldusava	E-2	Soon
-----	--------------	-----	------

#### Eemaldamiseks

Vajutage akuvabastusnuppu ja tõmmake akuplokk välja (joon. F).

**⚠ HOIATUS!** Tõsiste vigastuste vältimiseks eemaldage enne tööriista kandmist või transportimist alati akuplokk ja hoidke käed emal lukustuskeelest ja päästikut.

#### ÕLARIHM

Turvalisema ja parema kasutamise jaoks pange õlarihm üle õla, nagu on näidatud joon. G. Nii vähendate seadme kasutaja kätele langevat koormust. Reguleerige õlarihma nii, et teil on mugav töötada.

Rihma vabastamiseks on kaks võimalust. Võtke see kohe õlalt ära (joon. H) või vajutage rihma konksule ja eemaldage see varre külge fikseeritud kandaasa küljest (joon. I).

**⚠ HOIATUS!** Õlarihm on ohusituatsioonides ka kiirvabastusmehhanismiks. Õnnetuse korral võtke see koheselt ära, ükskõik millises asendis rihm on.

### TELESKOOPTOITEPEA HOIDMINE

Teleskooptoitepeal on kõrgema taseme kaksikpäästiku süsteem (joon. J). Mõlemat päästikut saab kasutada eraldiseisvalt tööriista käivitamiseks või väljalülitamiseks. See innovaatiline kaksikujuhitamise meetod võimaldab

seadme kõige ergonoomilisemat käsitsemist igapäevaselt raske töö puhul. (joon. K ja L)

### TELESKOOPTOITEPEA KÄIVITAMINE/PEATAMINE

#### Teleskooptoitepea käivitamine

Teleskooptoitepea sisselülitamiseks liigutage lukustuskeelt ettepoole ja vajutage kiiruse reguleerimise päästikut. Mida tugevamini kiiruse reguleerimise päästikule vajutada, seda suuremaks toitepea kiirus muutub.

#### Peatamiseks

Vabastage kiiruse reguleerimise päästik ja lukustuskeel.

### HOOLDUS

**⚠ HOIATUS!** Hooldusel ja remontimisel kasutage vaid originaalvaruosi. Kontrollige ja hooldage seadet regulaarselt. Turvalisuse ja vastupidavuse tagamiseks peab kõiki parandustöid läbi viima kvalifitseeritud hooldustehnik.

**⚠ HOIATUS!** Enne seadme kontrolli, puhastamist või hooldust tuleb mootor peatada ja oodata kõigi liikuvate osade peatumist ja eemaldada akuplokk. Juhiste eiramine võib kaasa tuua tõsise vigastuse või varalise kahju.

**⚠ MÄRKUS!** Enne iga kasutuskorda kontrollige tervet seadet, et ei esineks kahjustunud, puuduvaid või lahtisi osi, nt. kruve, mutreid, polte, korke vms. Kinnitage kõik kinnitused ja korgid ning ärge kasutage toodet, kuni kõik puuduvad või kahjustatud osad on välja vahetatud. Võtke palun ühendust klienditeeninduse või vastava kvalifikatsiooniga hooldustehnikuga.

#### ÜLDHOOLDUS

Vältige plastosade puhastamisel lahustite kasutamist. Enamik plastmaterjalid on vastuvõtlikud müügil olevatest lahustitest tulenevatele kahjustustele. Kasutage mustuse, tolm, õli, määrded jms eemaldamiseks puhast lappi.

#### TELESKOOPTOITEPEA PUHASTAMINE

1. Seisake mootor ja eemaldage akuplokk.
2. Teleskooptoitepealt mustuse ja jääkide eemaldamiseks kasutage niisket lappi ja õrnatoimelist puhastusainet.

**MÄRKUS!** Ärge puhastage plastmasskomponente või käepidet tugevatoimeliste puhastusainetega. Seadme osi võivad kahjustada teatud aromaatsed õlid (nt männi- või sidruniõli).

## TELESKOOPTOITEPEA HOIUSTAMINE

1. Enne hoiustamist eemaldage akuplokk teleskooptoitepea küljest.
2. Puhastage teleskooptoitepealt mistahes võõrmaterjal.
3. Hoidke seda sisetingimustes ja lastele kättesaamatus kohas.
4. Hoidke seda eemal korrodeerivatest ainetest (nt aiakemikaalid ja jääsulatussoolad).

### Keskkonnakaitse



Ärge visake elektriseadmeid, akulaadijat ega patareisid / akusid olmeprügi hulka!

## TÕRKEOTSING

Vaadake asjakohase tarviku kasutusjuhendit.

## GARANTII

### EGO GARANTIIPÕHIMÕTTED

Täielikud EGO garantiitingimused leiate veebilehelt [egopowerplus.com](http://egopowerplus.com).



## ПРОЧИТАЙТЕ ВСІ ІНСТРУКЦІЇ



### ПРОЧИТАЙТЕ ПОСІБНИК З ЕКСПЛУАТАЦІЇ

**⚠ Залишковий ризик!** Люди з електронними пристроями, наприклад кардіостимуляторами, повинні проконсультуватися зі своїм лікарем (лікарями) перед використанням цього виробу. Експлуатація електрообладнання в безпосередній близькості від кардіостимулятора може спричинити перешкоди або несправність кардіостимулятора.

**⚠ ПОПЕРЕДЖЕННЯ.** Для гарантування безпеки та надійності всі роботи з ремонту та заміни повинен проводити кваліфікований технічний спеціаліст.

## СИМВОЛ БЕЗПЕКИ

Мета символів, пов'язаних із безпекою, – привернути вашу увагу до можливих небезпек. Символи безпеки та їхнє пояснення заслуговують на вашу пильну увагу та розуміння. Символи попереджень самі по собі не усувають будь-якої небезпеки. Інструкції та попередження, які вони надають, не замінюють належних заходів щодо запобігання аваріям.

**ПОПЕРЕДЖЕННЯ.** Перш ніж користуватися цим інструментом, обов'язково ознайомтеся з усіма інструкціями з безпеки, наведеними в цьому посібнику користувача, зокрема з усіма символами попереджень, такими як «НЕБЕЗПЕКА», «ПОПЕРЕДЖЕННЯ» та «ЗАСТЕРЕЖЕННЯ». Недотримання наведених нижче вказівок може спричинити ураження електричним струмом, пожежу та/або серйозні травми.

## ЗНАЧЕННЯ СИМВОЛУ



**⚠ ПОПЕРЕДЖЕННЯ.** Використання будь-яких електроінструментів може призвести до потрапляння сторонніх предметів в очі, що може спричинити серйозне пошкодження очей. Перед початком експлуатації електроінструмента завжди надягайте закриті захисні окуляри або відкриті захисні окуляри з бічними щитами та, якщо потрібно, повнопрофільну захисну маску. Ми рекомендуємо захисну маску широкого розміру для використання поверх окулярів або стандартні відкриті захисні окуляри з бічними щитами.

## ПРАВИЛА ТЕХНІКИ БЕЗПЕКИ

На цій сторінці зображено та описано символи, пов'язані з безпекою, які можуть відображатися на цьому виробі. Перш ніж намагатися зібрати та експлуатувати його, ознайомтеся з усіма інструкціями на інструменті та дотримуйтесь їх.

	Попередження щодо безпеки	Вказує на потенційну небезпеку травмування.
	Прочитайте посібник з експлуатації.	Щоб зменшити ризик травми, користувач повинен ознайомитися з інструкцією користувача перед використанням цього виробу.
	Надягайте засоби захисту очей	Працюючи з цим виробом, завжди носіть закриті захисні окуляри чи відкриті захисні окуляри з бічними щитами або повнопрофільну захисну маску.
	CE	Цей виріб відповідає чинним директивам ЄС.
	WEEE	Відходи електричних виробів не слід викидати разом із побутовим сміттям. Зверніться до авторизованого пункту переробки.
	Не залишайте під дощем	Не використовуйте цей пристрій у дощ і не залишайте його в дощ надворі.
IPX5	Символ IP	Захист від проникнення води ступеня 5
V	Вольт	Напруга
mm	Міліметр	Довжина або розмір
cm	Сантиметр	Довжина або розмір
kg	Кілограм	Вага
	Постійний струм	Тип або характеристика струму

**⚠ ПОПЕРЕДЖЕННЯ.** Прочитайте всі попередження з техніки безпеки, позначені символом і всі інструкції.

UK

Зберігайте всі попередження та інструкції для використання в майбутньому.

Термін «електроінструмент» у попередженнях стосується електричного інструмента, що працює від електромережі (через шнур) або від акумулятора (без шнура).

**⚠ Загальні попередження щодо техніки безпеки роботи з електроінструментами – безпека в робочій зоні.**

- Робоче місце має бути чистим і гарно освітленим. Неприбрана або погано освітлена робоча зона може стати причиною нещасного випадку.
- Не працюйте з інструментом у вибухонебезпечному середовищі, наприклад за наявності легкозаймистих рідин, бензину або пилу. Під час роботи електроприлада утворюються іскри, від яких можуть зайнятися пил або випари.
- Дітям і спостерігачам заборонено перебувати поруч з електроінструментом, що працює. Це може відволікати вас і призвести до втрати контролю.

**⚠ Загальні попередження щодо техніки безпеки роботи з електроінструментами – електробезпека.**

- Штепсельні вилки електроінструмента мають підходити до розеток. Заборонено модифікувати вилку будь-яким чином. Не використовуйте жодні штепселі-перехідники для роботи з заземленими електроінструментами. Використання штепселів і розеток, у які не вносилися зміни, зменшує ризик ураження електричним струмом.
- Уникайте контакту частин тіла із заземленими поверхнями, такими як труби, батареї, плити й холодильники. У разі заземлення тіла збільшується ризик ураження електричним струмом.
- Бережіть електроінструмент від дощу та вологи. Вода, що потрапила в електроінструмент, підвищує ризик ураження електричним струмом.
- Поводьтесь обережно зі шнуром живлення. Не використовуйте шнур живлення для перенесення чи перетягування інструмента та виймання вилки з розетки. Бережіть шнур живлення від джерел тепла, мастил, гострих країв та рухомих частин. Пошкоджені або заплутані шнури живлення підвищують ризик ураження електричним струмом.
- Під час роботи з електроінструментом надворі використовуйте подовжувач, призначений для зовнішніх робіт. Використання подовжувача, призначеного для зовнішніх робіт, зменшує ризик ураження електричним струмом.

- Якщо роботи з електроінструментом у вологому середовищі не уникнути, скористайтеся вимикачем короткого замикання на землю. Використання ВКЗЗ зменшує ризик ураження електричним струмом.

**⚠ Загальні попередження щодо техніки безпеки роботи з електроінструментами – індивідуальна техніка безпеки.**

- Під час роботи з електроінструментом будьте уважними, слідкуйте за своїми діями та мисліть розсудливо. Не працюйте з електроінструментом, якщо ви втомлені або перебуваєте під дією наркотичних речовин, алкоголю чи ліків. Навіть миттєва втрата пильності під час роботи з електроінструментами може стати причиною важкої травми.
- Використовуйте засоби особистого захисту. Завжди носіть засоби захисту очей. Використання у відповідних умовах таких захисних засобів, як протипиловий респіратор, неслизьке захисне взуття, шолом-каска і навушки допоможе зменшити ризик травмування.
- Уникайте випадкового запуску інструмента. Перш ніж підключати електроінструмент до мережі живлення чи акумулятора, брати чи переносити його, перевірте, чи встановлено перемикач у положенні «вимкнено». Якщо переносити електроінструмент, тримаючи палець на перемикачі живлення, або підключати його до джерела живлення, коли перемикач живлення перебуває в положенні «увімкнено», це може призвести до травмування.
- Перш ніж вимкати електроінструмент, слід зняти всі регульовані клинці або гайкові ключі. Якщо залишити такий ключ на рухомій частині електроінструмента, це може призвести до травмування.
- Не дотягуйтеся. Завжди міцно стійте на ногах і втримуйте рівновагу. Це дає змогу краще керувати електроінструментом у разі виникнення непередбачуваних ситуацій.
- Одягайтеся належним чином. Не носіть вільного одягу або прикрас. Стежте за тим, щоб волосся, одяг та рукавиці не потрапили на рухомі частини. Вільний одяг, прикраси або довге волосся можуть потрапити в рухомі частини.
- Якщо пристрій обладнано системою видалення пилу, переконайтеся, що її правильно підключено і що ви використовуєте її належним чином. Використання пристрою для збирання пилу може зменшити небезпеку, пов'язану з пилом.

- Не дозволяйте навичкам, отриманим після частого використання інструментів, змусити вас стати самовпевненими та ігнорувати принципи безпеки інструмента. Недбала дія може спричинити серйозну травму протягом доли секунди.

**⚠ Загальні попередження щодо техніки безпеки роботи з електроінструментами – використання електроінструмента і догляд за ним.**

- Не застосовуйте силу до електроінструмента. Використовуйте належний електроінструмент відповідно до потреби. Правильно підібраний електроінструмент допоможе краще і безпечніше зробити роботу зі швидкістю, яка для неї передбачена.
- Не використовуйте електроінструмент, якщо перемикач не вмикає або не вимикає його. Усі електроінструменти, якими неможливо керувати за допомогою перемикача, становлять небезпеку й підлягають ремонту.
- Перш ніж проводити будь-які налаштування, замінювати приладдя, а також перед зберіганням вийміть штепсель із розетки або акумулятор з інструмента. Такі запобіжні заходи техніки безпеки зменшують ризик випадкового запуску електроінструмента.
- Зберігайте інструменти, що не використовуються, подалі від дітей і не дозволяйте особам, які не мають досвіду роботи з такими інструментами або не знайомі з цією інструкцією, користуватися електроінструментом. Електроінструменти становлять небезпеку в руках недосвідчених користувачів.
- Виконуйте належне технічне обслуговування електроінструментів. Перевіряйте їх на предмет розладнання чи блокування рухомих частин, а також будь-яких обставин, які можуть вплинути на роботу електроінструмента. У разі пошкодження електроінструмент слід здати в ремонт, перш ніж користуватися ним. Часто нещасні випадки трапляються внаслідок неналежного технічного обслуговування електроінструментів.
- Тримайте ріжучі інструменти гострими й чистими. Належним чином доглянуті ріжучі інструменти з гострими ріжучими краями рідше блокуються, і ними легше керувати;
- Користуйтеся електроінструментом, аксесуарами та насадками для інструмента згідно з цією інструкцією, зважаючи на робочі умови та роботу, яку слід виконати. Використання електроінструмента не за призначенням може стати причиною виникнення небезпечних ситуацій.

- Підтримуйте руків'я та захватні поверхні сухими, чистими, без жиру і бруду. Слизькі ручки та захватні поверхні не дають змоги безпечно тримати та керувати інструментом у непередбачених ситуаціях.
- Ця 56-вольтна телескопічна приводна штанга PPX1000 може використовуватися тільки з наведеними нижче насадками EGO або тими, які EGO представить пізніше для використання з цією телескопічною приводною штангою:

ТИП НАСАДКИ	НОМЕР МОДЕЛІ
Насадка для підрізання живоплоту	PTX5100
Насадка-штангова пила	PSX2500

**⚠ Загальні попередження щодо техніки безпеки роботи з електроінструментами – використання акумуляторного інструмента і догляд за ним.**

- Заряджайте лише за допомогою зарядного пристрою, указанного виробником. Зарядний пристрій, який підходить для акумуляторів одного виду, може спричинити ризик пожежі у випадку його використання з іншим акумулятором.
- З електроінструментами слід використовувати лише призначені для них акумуляторні батареї. Використання будь-яких інших акумуляторних батарей може призвести до травми або пожежі.
- Коли батарея не використовується, її слід тримати окремо від металевих предметів, наприклад затискачів для паперу, монет, ключів, цвяхів, шурупів та інших дрібних предметів, які можуть замкнути клеми. Коротке замикання клем акумулятора може стати причиною опіків чи пожежі.
- У надто важких умовах експлуатації з акумулятора може витікати рідина; не доторкайтесь до неї. Якщо випадково ви все ж торкнулись її, слід промити це місце водою. Якщо рідина потрапила в очі, слід також звернутися до лікаря. Рідина, яка виступає з акумулятора, може спричинити подразнення або опіки.
- Не використовуйте акумуляторну батарею або інструмент, які пошкоджені або змінені. Пошкоджені або змінені батареї можуть мати непередбачувану поведінку, що може спричинити пожежу, вибух або ризик травмування.
- Не надавайте акумуляторну батарею або інструмент дії вогню або високих температур. Вогонь або температура вище 130 °C може спричинити вибух.

- Дотримуйтесь усіх інструкцій щодо заряджання та не заряджайте акумуляторну батарею або інструмент за межами температурного діапазону, зазначеного в інструкціях. Зарядження неналежним чином або при температурах за межами вказаного діапазону може пошкодити акумулятор і збільшити ризик виникнення пожежі.

**⚠ Загальні попередження щодо техніки безпеки роботи з електроінструментами – обслуговування.**

- Обслуговування електроінструмента повинен виконувати кваліфікований ремонтник із використанням лише ідентичних запасних частин. Це забезпечить нормальну роботу електроінструмента.
- Ніколи не ремонтуйте пошкоджені акумулятори. Сервісне обслуговування акумуляторних батарей має виконувати лише виробник або авторизовані постачальники послуг.
- Якщо виникають ситуації, які не розглядаються в цьому посібнику, проявляйте обережність і розсудливість. Зверніться до сервісного центру EGO за допомогою.

## ЗБЕРЕЖІТЬ ЦЮ ІНСТРУКЦІЮ

**ДОДАТКОВІ СПЕЦІАЛЬНІ ПРАВИЛА БЕЗПЕКИ МОЖНА ЗНАЙТИ В ІНСТРУКЦІЇ КОРИСТУВАЧА ВІДПОВІДНОЇ НАСАДКИ**

## ТЕХНІЧНІ ХАРАКТЕРИСТИКИ

Напруга	56 V $\overline{\text{---}}$
Діапазон рекомендованих робочих температур:	0 °C - 40 °C
Діапазон рекомендованих температур зберігання	-20 °C - 70 °C
Вага	3,9 кг

## ОПИС

**ОЗНАЙОМЛЕННЯ З ПРИВІДНОЮ ШТАНГОЮ (рис. А)**

1. Задня ручка
2. Запірний язичок
3. Вушко для перенесення
4. Передня ручка
5. Затискна ручка
6. Кнопка від'єднання вала
7. Ручка блокування
8. З'єднувальна муфта
9. Телескопічна трубка
10. Пусковий перемикач зі змінною швидкістю
11. Опора інструмента
12. Плечовий ремінь

13. Механізм викидання
14. Засувка
15. Кнопка звільнення батареї
16. Тримач ключа
17. Комбінований ключ

## ПАКУВАЛЬНИЙ СПИСОК (РИС. А)

### ЗБИРАННЯ

**⚠ ПОПЕРЕДЖЕННЯ.** Якщо якісь частини пошкоджені або відсутні, не користуйтеся цим інструментом, доки вони не будуть замінені. Використання цього виробу з пошкодженими або відсутніми деталями може призвести до серйозних травм.

**⚠ ПОПЕРЕДЖЕННЯ.** Завжди виймайте акумуляторну батарею з виробу, коли збираєте деталі, виконуєте регулювання, очищення, або коли виріб не використовується.

### КРИПЛЕННЯ НАСАДКИ ДО ТЕЛЕСКОПІЧНОЇ ПРИВІДНОЇ ШТАНГИ

**⚠ ПОПЕРЕДЖЕННЯ.** Ознайомтеся повністю з інструкцією користувача для кожної додаткової насадки, що використовується на цій телескопічній приводній штанзі, і дотримуйтесь усіх попереджень та інструкцій. Недотримання всіх вказівок може спричинити ураження електричним струмом, пожежу та/або серйозні травми.

**⚠ ПОПЕРЕДЖЕННЯ.** Ця 56-вольтна телескопічна приводна штанга PPX1000 призначена для використання лише з моделями насадок EGO, зазначених у цій інструкції користувача, або представлених EGO пізніше для використання з цією телескопічною приводною штангою. Використання інших, недозволених насадок може призвести до серйозних травм або пошкодження майна.

**⚠ ПОПЕРЕДЖЕННЯ.** Ніколи не встановлюйте, не знімайте та не регулюйте насадку під час роботи телескопічної приводної штанги, або коли батарея встановлена. Якщо не зупинити мотор і не зняти батарею, це може призвести до серйозних травм.

Насадка з'єднується з телескопічною приводною штангою за допомогою пристрою для з'єднання.

1. Вимкніть мотор і вийміть акумулятор.
2. Послабте затискну ручку.
3. Вирівняйте стрілку на валі насадки з індикатором вирівнювання на муфті та насуньте вал насадки на муфту, доки не почуєте чітке «кляцання», муфта має бути розміщена впритул до контрольної лінії

на валу, вказуючи, що вал насадки закріплено правильно. (Рис. В).

B-1	Кнопка від'єднання вала	B-4	контрольна лінія
B-2	Індикатор вирівнювання	B-5	Ручка блокування
B-3	Позначка «стрілка»		

- Потягніть вал насадки, щоб переконатися, що він надійно зафіксований у муфті. Якщо ні, засовуйте вал насадки в муфту, доки він не зафіксується на місці.
- Зафіксуйте затискну ручку надійно.

**⚠ ПОПЕРЕДЖЕННЯ.** Упевніться, що затискна ручка повністю затягнута, перед використанням обладнання. Періодично перевіряйте її на міцність під час використання, щоб уникнути серйозних травм.

### ЗНЯТТЯ НАСАДКИ З ТЕЛЕСКОПІЧНОЇ ПРИВОДНОЇ ШТАНГИ

- Вимкніть мотор і вийміть акумулятор.
- Послабте затискну ручку.
- Натисніть кнопку розблокування вала, при натиснутій кнопці витягніть вал насадки з муфти.

### КРІПЛЕННЯ ПЛЕЧОВОГО РЕМЕНЯ (рис. С)

Натисніть на гачок ремня, щоб відкрити його, і прикріпіть його до вушка для перенесення.

### ПОДОВЖЕННЯ ТЕЛЕСКОПІЧНОЇ ТРУБКИ

Інструмент оснащений телескопічною трубкою, яка може висуватися на 960 мм (у повністю висуnutому положенні).

Затискна ручка використовується для утримання телескопічної трубки в потрібному положенні при будь-якій довжині.

- Щоб висунути телескопічну трубку, послабте затискну ручку, повернувши її до значка розблокування. Телескопічна трубка вільно ковзатиме (рис. D).

D-1	Затискна ручка	D-2	Індикація максимальної межі
-----	----------------	-----	-----------------------------

- Витягніть телескопічну трубку на бажану довжину.
- Щоб зафіксувати телескопічну трубку, затягніть затискну ручку, повернувши її до значка блокування.

**⚠ ПОПЕРЕДЖЕННЯ.** У разі защемлення руки або пальців будьте обережні на кожному кроці

## ЕКСПЛУАТАЦІЯ

**⚠ ПОПЕРЕДЖЕННЯ.** Знання виробу не має робити вас небалим. Пам'ятайте, що півсекунди неважкості досить для серйозної травми.

**⚠ ПОПЕРЕДЖЕННЯ.** Завжди носіть засоби захисту очей. Без окулярів ви ризикуєте травмами очей від викинутих предметів та іншими серйозними травмами.

**⚠ ПОПЕРЕДЖЕННЯ.** Не використовуйте приладдя чи насадки, не рекомендовані виробником цього пристрою. Використання нерекomenдованого приладдя чи насадок може призвести до серйозних травм.

### УСТАНОВЛЕННЯ/ВИЙМАННЯ АКУМУЛЯТОРНОЇ БАТАРЕЇ

**ПРИМІТКА.** Повністю зарядіть акумулятор перед першим використанням.

### Установлення

Вирівняйте виступи на акумуляторі з кріпильними отворами та натисніть на акумуляторну батарею, доки не почуєте «клацання» (рис. E).

E-1	Кріпильний отвір	E-2	Виступ
-----	------------------	-----	--------

### Видалення

Натисніть кнопку звільнення акумулятора та витягніть акумуляторну батарею (рис. F).

**⚠ ПОПЕРЕДЖЕННЯ.** Щоб уникнути серйозних травм, завжди виймайте акумуляторну батарею та тримайте руки подалі від фіксуючого язичка та тригера під час перенесення або транспортування інструмента.

### ПЛЕЧОВИЙ РЕМІНЬ

Для безпечної та кращої експлуатації надягайте плечовий ремінь через плече, як показано на рис. G, щоб полегшити навантаження на руки оператора. Відрегулюйте плечовий ремінець у зручному робочому положенні.

Існує два способи звільнення ремінця. Зніміть його прямо з плеча (рис. H) або натисніть на гачок ремінця і витягніть його з вушка для перенесення, закріпленого на валу (рис. I).

**⚠ ПОПЕРЕДЖЕННЯ.** Плечовий ремінь також є механізмом швидкого звільнення в небезпечній ситуації. Коли трапляється надзвичайна ситуація, негайно зніміть його з плеча, незалежно від того, у який спосіб одягнуто ремінь.

## ТРИМАННЯ ТЕЛЕСКОПІЧНОЇ ПРИВОДНОЇ ШТАНГИ

Телескопічна штанга оснащена вдосконаленою системою подвійного тригера (рис. J). Кожна система тригера може незалежно вмикати або вимикати інструмент. Цей інноваційний метод подвійного керування забезпечує найбільш ергономічну експлуатацію в повсякденній складній роботі. (Рис. K і L)

## ЗАПУСК/ЗУПИНКА ТЕЛЕСКОПІЧНОЇ ПРИВОДНОЇ ШТАНГИ

### Запуск телескопічної приводної штанги

Перемістіть фіксувальний язичок вперед і натисніть на пусковий перемикач зі змінною швидкістю, щоб увімкнути телескопічну приводну штангу. Що сильніший тиск на пусковий перемикач зі змінною швидкістю, то вище швидкість насадки.

### Зупинка

Відпустіть пусковий перемикач зі змінною швидкістю та фіксувальний язичок.

## ОБСЛУГОВУВАННЯ

**⚠ ПОПЕРЕДЖЕННЯ.** Використовуйте для технічного обслуговування лише ідентичні запчастини. Регулярно оглядайте інструмент і виконуйте його обслуговування. Для гарантування безпеки та надійності всі ремонтні роботи повинен проводити кваліфікований технічний спеціаліст.

**⚠ ПОПЕРЕДЖЕННЯ.** Перед оглядом, чищенням або обслуговуванням пристрою зупиніть двигун, почекайте доки всі рухомі частини зупиняться, і вийміть акумуляторну батарею. Недотримання цих інструкцій може призвести до серйозних персональних травм або пошкодження майна.

**⚠ ПРИМІТКА.** Перед кожним використанням перевіряйте весь виріб на предмет пошкоджень, відсутності або послаблення деталей, таких як гвинти, гайки, болти, кришки тощо. Закріпіть усі затискачі та ковпачки і не використовуйте цей прилад, доки не будуть замінені всі відсутні або пошкоджені деталі. Зверніться до служби підтримки або кваліфікованого спеціаліста з обслуговування.

## ЗАГАЛЬНИЙ ТЕХНІЧНИЙ ДОГЛЯД

Не використовуйте розчинники для очищення пластмасових деталей. Більшість пластмас чутливі до різноманітних промислових розчинників і можуть бути ними пошкоджені. Для видалення бруду, пилу, мастила тощо користуйтеся чистою ганчіркою.

## ОЧИЩЕННЯ ТЕЛЕСКОПІЧНОЇ ПРИВОДНОЇ ШТАНГИ

1. Вимкніть мотор і вийміть акумулятор.
2. Очистіть бруд і сміття на телескопічній приводній штанзі, використовуючи вологу ганчірку з м'яким мийним засобом.

**ПРИМІТКА.** Не використовуйте сильні миючі засоби на пластиковому корпусі або ручці. Вони можуть бути пошкоджені деякими ароматичними маслами, наприклад хвойним і лимонним.

## ЗБЕРІГАННЯ ТЕЛЕСКОПІЧНОЇ ПРИВОДНОЇ ШТАНГИ

1. Вийміть акумулятор із телескопічної приводної штанги перед зберіганням.
2. Видаліть усі сторонні матеріали з телескопічної приводної штанги.
3. Зберігайте її в місці, недоступному для дітей.
4. Тримайте подалі корозійні агенти, такі як садові хімікати та солі проти ожеледі.

## Захист довкілля



Не викидайте електричне обладнання, зарядний пристрій та батареї/акумулятори в побутові відходи!

## УСУНЕННЯ НЕСПРАВНОСТЕЙ

Див. посібник користувача для насадки.

## ГАРАНТІЯ

### ПРАВИЛА ГАРАНТІЇ EGO

Відвідайте веб-сайт [egopowerplus.com](http://egopowerplus.com) для отримання повного тексту умов гарантійної політики EGO.

## ПРОЧЕТЕТЕ ВСИЧКИ ИНСТРУКЦИИ!



### ПРОЧЕТЕТЕ РЪКОВОДСТВОТО НА ОПЕРАТОРА

**⚠ Остатъчен риск!** Хора с електронни устройства, като пейсмейкър трябва да се консултират с лекуващия(те) си лекар(и) преди употреба на този продукт. Работата с електрическо оборудване в непосредствена близост до сърдечен пейсмейкър може да предизвика смущение или неизправност на пейсмейкъра.

**⚠ ПРЕДУПРЕЖДЕНИЕ:** За да осигурите безопасността и надеждността, всички поправки и подмени трябва да се извършват от квалифициран сервизен техник.

## СИМВОЛ ЗА БЕЗОПАСНОСТ

Целта на символите за безопасност е да привлечат вниманието към възможни опасности. Символите за безопасност и обясненията към тях заслужават вашето повишено внимание и осъзнаване. Символите за безопасност сами по себе си не елиминират каквато и да е опасност. Инструкциите и предупрежденията, които предоставят не са заместители за подходящите мерки за предотвратяване на инцидент.

**⚠ ПРЕДУПРЕЖДЕНИЕ:** Уверете се, че сте прочели и осъзнали всички инструкции за безопасност в това Ръководство на оператора, включително всички известяващи символи за безопасност, като **“ОПАСНОСТ,” “ПРЕДУПРЕЖДЕНИЕ,”** и **“ВНИМАНИЕ”** преди да използвате този инструмент. Неспазването на всички инструкции изброени долу може да доведе до електрически шок, пожар и/или сериозно нараняване.

## ЗНАЧЕНИЕ НА СИМВОЛИТЕ



### ⚠ ПРЕДУПРЕЖДЕНИЕ:

Експлоатацията на всички електрически инструменти, може да доведе до изхвърляне на чужди предмети към вашите очи, което може да доведе до сериозно нараняване на очите. Преди започване на работа с електрически инструмент, винаги носете предпазни очила със странична защита и визьор за цялото лице, когато е необходимо. Ние препоръчваме предпазна маска с широк визьор за употреба над очила или стандартни предпазни очила със странична защита.

## ИНСТРУКЦИИ ЗА БЕЗОПАСНОСТ

Тази страница изобразява и описва символите за безопасност, които може да се появят по този продукт. Прочетете, осъзнайте и следвайте всички инструкции по машината преди предприемане на сглобяване и работа.

	Сигнал за безопасност	Показва риска от потенциално нараняване на човек.
	Прочетете ръководството на оператора	За намаляване на опасността от нараняване, потребителят трябва да прочете и разбере ръководството на оператора преди използването на този продукт.
	Носете защита за очите	Винаги носете предпазни очила със странична защита и предпазен екран за цялото лице, когато работите с този продукт.
	CE	Този продукт е в съответствие с приложимите директиви на ЕС.
	WEEE	Отпадъчните електрически продукти не трябва да бъдат изхвърляни заедно с домакинския отпадък. Отнесете го до упълномощено място за рециклиране.
	Не излагайте на дъжд	Не използвайте в дъжд или не го оставяйте навън, когато вали.
IPX5	IP символ	Защита от навлизане на вода степен 5
V	Волт	Напрежение
mm	Милиметър	Дължина или размер
cm	Сантиметър	Дължина или размер
kg	Килограм	Тегло
	Постоянен ток	Вид или характеристика на тока

**⚠ ПРЕДУПРЕЖДЕНИЕ:** Прочетете всички предупреждения за безопасност, указани със символа **⚠** и всички инструкции.

Запазете всички предупреждения и инструкции за бъдеща справка.

Терминът "Електрически инструмент" в предупрежденията се отнася до захранвани от мрежата (кабелни) електрически инструменти или захранвани чрез батерия (безкабелни) електрически инструменти.

**⚠ Общи предупреждения за безопасност на електрически инструменти - безопасност на работната зона.**

- Поддържайте работната зона чиста и добре осветена. Разхвърляни или тъмни работни зони породжат инциденти.
- Не работете с електрически инструменти в експлозивна атмосфера, като например в присъствието на запалими течности, бензин или прах. Електрическият инструмент създава искра, която може да възпламени праха или изпаренията.
- Дръжте на разстояние децата и страничните лица, докато работите с електрически инструмент. Разсейването може да причини загуба на контрол.

**⚠ Общи предупреждения за безопасност на електрически инструменти - електрическа безопасност.**

- Щепселите на електрическия инструмент трябва да съответстват на контакта. Никога не модифицирайте щепсела по какъвто и да е начин. Не използвайте какъвто и да е адаптер със заземени електрически инструменти. Немодифицираните щепсели и съответстващите контакти ще намалят риска от електрически шок.
- Избягвайте контакт на тялото със заземени повърхности, като тръби, радиатори, кухненски печки и хладилници. Съществува повишена опасност от токов удар, ако тялото Ви е заземено.
- Не излагайте електрическите инструменти на дъжд или влажни условия. Навлизането на вода в електрическия инструмент ще увеличи риска от токов удар.
- Не злоупотребявайте с кабела. Никога не използвайте кабела за пренасяне, изтегляне или изключване от контакта на електрическия инструмент. Дръжте кабела настрана от топлина, масло, остри ръбове или движещи се части. Повредени или оплетени кабели увеличават риска от електрически удар.

- Когато работите с електрически инструмент на открито, използвайте удължителен кабел подходящ за употреба на открито. Употребата на кабел подходящ за употреба на открито намалява риска от електрически удар.
- Ако работата с електрическия инструмент на влажно място е неизбежна, използвайте захранване със защитен прекъсвач на веригата при неизправно заземяване (GFCI). Употребата на GFCI намалява риска от токов удар.

**⚠ Общи предупреждения за безопасност на електрически инструменти - лична безопасност.**

- Внимавайте, гледайте какво правите и използвайте здрав разум, когато работите с електрически инструмент. Не използвайте електрически инструмент, когато сте уморени или когато сте под влияние на наркотици, алкохол или лекарства. Момент невнимание по време на работата с електрически инструмент, може да доведе до сериозно лично нараняване.
- Използвайте лични предпазни средства. Винаги носете защита за очите. Защитно оборудване като прахови маски, не плъгащи се безопасно обувки, твърда каска или защита за слуха използвана при подходящи условия ще намали риска от лични наранявания.
- Предотвратете непреднамерено пускане. Уверете се, че ключът е в изключена позиция, преди да свържете към захранване и/или батерия, повдигайки или носейки инструмента. Носейки инструмента, докато пръстът ви е на спусъка или подаването на захранване на инструменти, които са с включен прекъсвач е предпоставка за инциденти.
- Извадете всеки регулиращ ключ или гаечен ключ, преди да включите захранването. Гаечен или друг ключ оставен закачен към въртящите се части на електрическия инструмент, може да доведе до лично нараняване.
- Не се протягвайте. Запазете правилна стойка и баланс по всяко време. Това позволява подобър контрол върху електрическия инструмент в непредвидени ситуации.
- Облечете се подходящо. Не носете отпуснати дрехи или бижута. Дръжте косата, дрехите и ръкавиците далеч от движещи се части. Отпуснати дрехи, бижута или дълга коса, могат да бъдат хванати в движещите се части.
- Ако са предоставени устройства за свързване на прахоуловител или съоръжения за събиране, уверете се, че те са свързани и са правилно използвани. Употребата на устройства за прах може да намали рисковете свързани с прах.



- Не позволявайте на рутинността придобита от честата употреба на инструмента да позволи да станете небрежни и да игнорирате принципите за безопасност на инструмента. Небрежно действие може да причини сериозно нараняване за части от секундата.

**⚠ Общи предупреждения за безопасност на електрически инструменти - употреба и грижи за електрическите инструменти.**

- Не пресилвайте електрически инструмент. Използвайте правилния електрически инструмент за вашата работа. Правилният електрически инструмент ще свърши работата по-добре и по-безопасно при капацитета за който е проектиран.
- Не използвайте електрическия инструмент ако ключът не го включва или изключва. Всеки електрически инструмент, който не може да бъде контролиран от ключа е опасен и трябва да бъде поправен.
- Разкачете щепсела от захранването и/или батерията от електрическия инструмент, преди да извършите настройки, смяна на аксесоари или съхраняване на инструментите. Подобни превантивни мерки за безопасност намаляват риска от стартиране на инструмента инцидентно.
- Дръжте свободния електрически инструмент извън достъпа до деца и не позволявайте хора, които не са запознати с електрическия инструмент или тези инструкции да работят с него. Електрическите инструменти са опасни в ръцете на необучени потребители.
- Поддържайте електрическите инструменти. Проверете за разместване или блокиране на подвижни части, счупване на части, и всякакви други условия, които могат да повлияят на работата на електрическия инструмент. При повреда ремонтирайте инструмента преди употреба. Много инциденти са причинени от лошо поддържани електрически инструменти.
- Дръжте режещите инструменти остри и чисти. Правилно поддържани режещи инструменти, с остри режещи ръбове е по-малко вероятно да се заклещат и по-лесно се контролират.
- Използвайте електрическия инструмент, аксесоарите, частите на инструмента и т.н в съответствие с тези инструкции, като вземете предвид условията на работа и вида работа, която ще бъде извършвана. Употребата на електрическия инструмент за дейности различни от предназначените може да доведе до опасни ситуации.

- Дръжте ръкохватките и повърхностите за захващане сухи, чисти и без масло и грес. Хлъзгавите ръкохватки и места за захващане не позволяват безопасно боравене и контролиране на инструмента при неочаквана ситуация.
- Този 56 V телескопичен захранващ прът PPX1000 може да бъде използван само със следните приставки EGO или въведени впоследствие от EGO за употреба с този телескопичен захранващ прът:

ВИД ПРЕДАВКА	НОМЕР НА МОДЕЛ
Приставка ножица за жив плет	PTX5100
Приставка прътов трион	PSX2500

**⚠ Общи предупреждения за безопасност на електрически инструменти - употреба и грижи за батерията на инструмента.**

- Презареждайте само със зарядното устройство определено от производителя. Зарядно устройство, което е подходящо за един вид акумулаторна батерия може да създаде опасност от пожар, когато се използва с друга акумулаторна батерия.
- Използвайте електрически инструменти само със специфично обозначени акумулаторни батерии. Използването на всяка друга акумулаторна батерия може да създаде риск от нараняване и пожар.
- Когато акумулаторните батерии не са в употреба ги дръжте на разстояние от други метални обекти, като кламери, монети, ключове, пирони, отвертки или други малки метални предмети, които могат да направят свързване между клемите. Свързване на късо на клемите на батерията може да причини изгаряне или пожар.
- При условия на злоупотреба, може да се изхвърли течност от батерията. Избягвайте контакт. В случай на инцидентен контакт измийте с вода. Ако течността влезе в контакт с очите, потърсете допълнително медицинска помощ. Течността изхвърлена от батерията може да причини раздразнение или изгаряния.
- Не използвайте акумулаторна батерия или инструмент, които са повредени или модифицирани. Повредените или модифицираните батерии може да проявят непредсказуемо поведение, което да доведе до пожар, експлозия или риск от нараняване.
- Не излагайте батерията или инструмента на огън или прекомерна температура. Излагане на огън или температури над 130 °C може да причини експлозия.

- Следвайте всички инструкции за зареждане и не зареждайте батерията или инструмента извън температурния обхват зададен в инструкциите. Неправилното зареждане или зареждане извън определения температурен обхват може да повреди батерията и да повиши риска от пожар.


**⚠ Общи предупреждения за безопасност на електрически инструменти - сервизно обслужване.**

- Обслужвайте вашия електрически инструмент чрез квалифициран техник, като използвате само идентични резервни части. Това ще осигури поддържането на безопасност не електрическия инструмент.
- Никога не поправяйте повредени акумулаторни батерии. Ремонтът на акумулаторни батерии трябва да бъде извършван от производителя или оторизиран сервиз.
- Ако настъпят събития, които не са засегнати в това ръководство, бъдете предпазливи и използвайте добра преценка. Свържете се със сервизния център на EGO за помощ.

## ЗАПАЗЕТЕ ТЕЗИ ИНСТРУКЦИИ

ДОПЪЛНИТЕЛНИ СПЕЦИФИЧНИ ПРАВИЛА ЗА БЕЗОПАСНОСТ МОГАТ ДА БЪДАТ ОТКРИТИ В РЪКОВОДСТВОТО НА ОПЕРАТОРА НА СЪОТВЕТНИТЕ ПРИСТАВКИ

## СПЕЦИФИКАЦИИ

Напрежение	56 V 
Препоръчителна работна температура:	0°C-40°C
Препоръчителна температура на съхранение	-20°C-70°C
Тегло	3.9kg

## ОПИСАНИЕ

**BG**

**ЗАПОЗНАЙТЕ СЕ С ВАШИЯ ТЕЛЕСКОПИЧЕН ЗАХРАНВАЩ ПРЪТ (Фиг. А)**

1. Задна ръкохватка
2. Заклучващо езиче
3. Халка за носене
4. Предна ръкохватка
5. Затягащ бутон
6. Бутон за освобождаване на шпиндела
7. Фиксиращ бутон

8. Съединително устройство
9. Телескопична тръба
10. Спуск за променлива скорост
11. Опора на инструмента
12. Ремък за рамо
13. Механизъм за изваждане
14. Резе
15. Бутон за освобождаване на батерията
16. Държач за гаечния ключ
17. Комбиниран гаечен ключ

## ОПАКОВЪЧЕН ЛИСТ (ФИГ. А)

### МОНТАЖ

**⚠ ПРЕДУПРЕЖДЕНИЕ:** Ако някои от частите са повредени или липсват, не работете с този продукт, докато частите не се подменят. Използването на този продукт с повредени или липсващи части може да доведе до сериозно лично нараняване.

**⚠ ПРЕДУПРЕЖДЕНИЕ:** Винаги изваждайте акумулаторната батерия от продукта, когато монтирате части, правите настройки, почиствате или когато продуктът не е в употреба.

### СВЪРЗВАНЕ НА ПРИСТАВКА КЪМ ТЕЛЕСКОПИЧНИЯ ЗАХРАНВАЩ ПРЪТ

**⚠ ПРЕДУПРЕЖДЕНИЕ:** Прочетете и разберете цялото ръководство на оператора за всяка от опционалните приставки, използвани на този телескопичен захранващ прът и следвайте всички предупреждения и инструкции. Неспазването на всички инструкции може да доведе до токов удар, пожар и/или сериозно нараняване.

**⚠ ПРЕДУПРЕЖДЕНИЕ:** Този 56V телескопичен захранващ прът RPX1000 е проектиран за употреба само с модели на приставки EGO, които са определени в ръководството на оператора или в следствие представени от EGO за употреба с този телескопичен захранващ прът. Използването на други неоторизирани приставки може да причини сериозно нараняване или щети по собствеността.

**⚠ ПРЕДУПРЕЖДЕНИЕ:** Никога не монтирайте, изваждайте или регулирайте приставка, докато телескопичният захранващ прът работи или когато батерията е монтирана. Неспазването на спиране на мотора и изваждане на батерията може да доведе до сериозно нараняване.

Приставката се свързва с телескопичния захранващ прът чрез съединителното устройство.

1. Спрете мотора и извадете акумулаторната батерия.
2. Разхлабете фиксиращия бутон.
3. Подравнете стрелката на шпиндела на приставката с индикатора за подравняване на съединителното устройство и натиснете приставката в съединителя, докато чуете ясен звук “щрак”, съединителят трябва да бъде позиционира така към базовата линия на шпиндела, че приставката да е монтирана на местото си. (Фиг. В)

B-1	Бутон за освобождаване на шпиндела	B-4	базова линия
B-2	Индикатор за подравняване	B-5	Фиксиращ бутон
B-3	Стрелка маркировка		

4. Издърпайте шпиндела на приставката за да се уверите, че е сигурно заключен в съединителя. Ако не е заключен, въртете шпиндела на приставката в съединителя, докато се фиксира на местото си.
5. атегнете сигурно фиксиращия бутон.

**⚠ ПРЕДУПРЕЖДЕНИЕ:** Уверете се, че фиксиращият бутон е напълно затегнат, преди да работите с оборудването, проверявайте го за затягане периодично по време на употреба, за да избегнете сериозно нараняване.

### ИЗВАЖДАНЕ НА ПРИСТАВКАТА ОТ ТЕЛЕСКОПИЧНИЯ ЗАХРАНВАЩ ПРЪТ

1. Спрете мотора и извадете акумулаторната батерия.
2. Разхлабете фиксиращия бутон.
3. Натиснете бутона за освобождаване на вала и с натиснат бутон издърпайте вала на приставката от съединителя.

### МОНТИРАНЕ НА РЕМЪКА ЗА РАМО (Фиг. С)

Натиснете куката на ремъка, за да я отворите и я закрепете върху халката за носене.

### УДЪЛЖАВАНЕ НА ТЕЛЕСКОПИЧНАТА ТРЪБА

Инструментът е оборудван с телескопична тръба, която се удължава до 960 mm (напълно удължена).

Затягащият бутон се използва за задържане на телескопичната тръба на място при всяка дължина на удължаване.

1. За удължаване на телескопичната тръба разхлабете затягащия бутон като следвате неговата икона за отключване. Телескопичната тръба ще се пълзва свободно (Фиг. D)

D-1	Затягащ бутон	D-2	Индикация за максималната граница
-----	---------------	-----	-----------------------------------

2. Издърпайте телескопичната тръба до желаната дължина на удължаване.
3. За заключване на телескопичната тръба в позицията затегнете затягащия бутон като следвате неговата икона за заключване.

**⚠ ПРЕДУПРЕЖДЕНИЕ:** В случай, че си преципете ръката или пръстите, моля, внимателно изпълнявайте всяка стъпка

### ЕКСПЛОАТАЦИЯ

**⚠ ПРЕДУПРЕЖДЕНИЕ:** Не позволявайте рутината с този продукт да ви направи непредпазливи. Запомнете, че невнимание за малка част от секундата е достатъчна за да нанесе сериозно нараняване.

**⚠ ПРЕДУПРЕЖДЕНИЕ:** Винаги носете защита за очите. Ако не го направите може да доведе до изхвърляне на предмети към очите ви и други възможни сериозни наранявания.

**⚠ ПРЕДУПРЕЖДЕНИЕ:** Не използвайте други приставки или аксесоари, които не са препоръчани от производителя на този продукт. Употребата на приставки или аксесоари, които не са препоръчани, може да доведе до сериозно нараняване.

### МОНТИРАНЕ/ИЗВАЖДАНЕ НА АКУМУЛАТОРНАТА БАТЕРИЯ

**БЕЛЕЖКА:** Заредете напълно акумулаторната батерия преди пълна употреба.

#### За да монтирате

Подравнете ребрата на акумулаторната батерия с монтажните жлеbove и натиснете батерията надолу, докато чуете “щракване” (Фиг. E).

E-1	Монтажен отвор	E-2	Ребро
-----	----------------	-----	-------

#### За да извадите

Натиснете бутона за освобождаване на батерията и издърпайте акумулаторната батерия навън (Фиг. F).

**⚠ ПРЕДУПРЕЖДЕНИЕ:** За да избегнете сериозно нараняване винаги изваждайте акумулаторната батерия и дръжте ръцете си извън заключващото езиче и спусъка, когато носите или транспортирате инструмента.

## РЕМЪК ЗА РАМО

За безопасна и по-добра работа, поставете ремъка за рамо през рамото, в съответствие с фиг. G, за да освободите теллото от ръцете на оператора. Регулирайте ремъка за рамо в удобна работна позиция.

Има два начина да освободите ремъка. Свалете го директно от вашето рамо (фиг. H) или натиснете куката на ремъка и я отделете от скобата на халката за носене закрепена на пръта (фиг. I).

**⚠ ПРЕДУПРЕЖДЕНИЕ:** Ремъкът за рамо, също е механизъм за бързо освобождаване при опасни ситуации. При наличие на аварийна ситуация, незабавно го свалете от рамото си, независимо по кой начин се намира ремъка.

## ДЪРЖАНЕ НА ТЕЛЕСКОПИЧНИЯ ЗАХРАНВАЩ ПРЪТ

Телескопичният захранващ прът е снабден с усъвършенствана система с двоен спусък (Фиг. J). Всяка система със спусък може независимо да включва или изключва инструмента. Този иновативен метод за двойно управление предоставя най-ергономичната работа в ежедневните задачи. (Фиг. K и L)

## СТАРТИРАНЕ/СПИРАНЕ НА ТЕЛЕСКОПИЧНИЯ ЗАХРАНВАЩ ПРЪТ

**За да стартирате телескопичния захранващ прът**  
Придвигнете заключващото езиче напред и натиснете спусъка за променлива скорост, за да включите телескопичния захранващ прът. Колкото по-силен натиск прилагате върху спусъка за променлива скорост, толкова е по-висока скоростта на приставката на главата

**BG**

### За да спрете

Освободете спусъка за променлива скорост и заключващото езиче.

## ПОДДРЪЖКА

**⚠ ПРЕДУПРЕЖДЕНИЕ:** Когато обслужвате, използвайте само идентични резервни части. Проверявайте и поддържайте машината редовно. За

да осигурите безопасността и надеждността, всички поправки трябва да се извършват от квалифициран сервизен техник.

**⚠ ПРЕДУПРЕЖДЕНИЕ:** Преди инспекция, почистване или обслужване на уреда спрете мотора, изчакайте всички движещи части да спрат и извадете акумулаторната батерия. Неспазването на тези инструкции може да доведе до сериозно нараняване или щети по собствеността.

**⚠ БЕЛЕЖКА:** Преди всяка употреба проверявайте целия продукт за повредени, липсващи или разхлабени части, като винтове, гайки, болтове, капачки и др. Затегнете сигурно всички закопчалки и капачки и не работете с този продукт, докато всички повредени или липсващи части не бъдат подменени. Моля свържете се с обслужване на клиенти или с квалифициран сервизен техник.

## ОБЩА ПОДДРЪЖКА

Избягвайте употребата на разтворители, когато почиствате пластмасовите части. Повечето пластмасови части са уязвими на повреда от различни видове разтворители в търговската мрежа и може да се повредят от тяхната употреба. Използвайте чист плат, за премахване на мръсотия, прах, масло и т.н.

## ПОЧИСТВАНЕ НА ТЕЛЕСКОПИЧНИЯ ЗАХРАНВАЩ ПРЪТ

1. Спрете мотора и извадете акумулаторната батерия.
2. Почистете мръсотията и отлаганията от телескопичния захранващ прът, използвайки влажна кърпа с мек почистващ препарат.

**БЕЛЕЖКА:** Не използвайте силен почистващ препарат по пластмасата на корпуса или ръкохватката. Те могат да бъдат повредени от определени ароматни масла като бор и лимон.

## СЪХРАНЕНИЕ НА ТЕЛЕСКОПИЧНИЯ ЗАХРАНВАЩ ПРЪТ

1. Отстранете акумулаторната батерия от телескопичния захранващ прът преди съхранение.
2. Почистете всички чужди материали от телескопичния захранващ прът.
3. Съхранете го на място, което е недостъпно до деца.
4. Пазете го от корозивни препарати като градински химикали и сол за обезледяване.

**Опазване на околната среда**

Не изхвърляйте електрическо оборудване, зарядно устройство за акумулаторни батерии и батерии/ акумулаторни батерии в домакинския отпадък!

**ОТСТРАНЯВАНЕ НА ПРОБЛЕМИ**

Вижте съответните приложения към ръководството на оператора.

**ГАРАНЦИЯ****ГАРАНЦИОННА ПОЛИТИКА EGO**

Моля, посетете уебсайта [egopowerplus.com](http://egopowerplus.com) за пълните срокове и условия по гаранционната политика на EGO.

## PROČITAJTE UPUTE U CIJELOSTI!



**PROČITAJTE PRIRUČNIK ZA RUKOVATELJE.**

**⚠ Preostale opasnosti!** Osobe s elektroničkim uređajima poput srčanih elektrostimulatora prije uporabe ovog proizvoda trebaju se posavjetovati sa svojim liječnikom. Rad električne opreme u neposrednoj blizini srčanih elektrostimulatora može prouzročiti smetnju ili kvar srčanog elektrostimulatora.

**⚠ UPOZORENJE:** Zbog sigurnosti i pouzdanosti, sve popravke treba obavljati kvalificirani servisni tehničar.

## SIGURNOSNI SIMBOL

Svrha sigurnosnih simbola je skretanje pozornosti na moguće opasnosti. Sigurnosni simboli i njihova objašnjenja zahtijevaju vašu potpunu pozornost i razumijevanje. Sami simboli upozorenja ne isključuju opasnost. Upute i upozorenja koja pružaju nisu zamjena za propisne mjere za prevenciju nesreća.

**⚠ UPOZORENJE!** Prije uporabe ovog alata pobrinite se da sve upute u ovom korisničkom priručniku, uključujući sve sigurnosne simbole kao što su **“OPASNOST”**, **“UPOZORENJE”** i **“OPREZ”** pročitate s razumijevanjem. Zanimarivanje svih uputa navedenih u nastavku može rezultirati strujnim udarom, požarom i/ili teškim tjelesnim ozljedama.

## ZNAČENJE SIMBOLA



**⚠ UPOZORENJE:** Rukovanje električnim alatima može rezultirati odbacivanjem stranih predmeta u oči što opet može izazvati teška oštećenja očiju. Prije početka rukovanja električnim alatom nosite zatvorene zaštitne naočale ili zaštitne naočale s bočnim štitnicima, a prema potrebi i štitnik za cijelo lice. Preporučujemo nošenje sigurnosne maske proizvođača Wide Vision preko naočala, ili nošenje standardnih zaštitnih naočala s bočnim štitnicima.

## SIGURNOSNE UPUTE

Na ovoj stranici slikovno su prikazani i objašnjeni sigurnosni simboli koji se mogu pojaviti na ovom proizvodu. Prije pokušaja sastavljanja i rukovanja s razumijevanjem pročitajte sve upute na stroju i pridržavajte ih se.

	Upozorenje u vezi sigurnosti	Označava moguću opasnost od tjelesne ozljede.
	Pročitajte korisnički priručnik.	Radi smanjenja opasnosti od ozljeda, prije uporabe ovog proizvoda korisnik treba s razumijevanjem pročitati ovaj korisnički priručnik.
	Nosite zaštitu za oči.	Kada rukujete ovim proizvodom, nosite zatvorene zaštitne naočale ili zaštitne naočale s bočnim štitnicima i štitnik za cijelo lice.
	CE	Ovaj proizvod je u skladu s važećim direktivama EU.
	OEE0	Otpadni električni proizvodi ne smiju se odlagati s otpadom iz kućanstva. Odnosite ih u ovlašteni centar za recikliranje.
	Ne izlažite kiši	Proizvod ne upotrebljavajte na kiši i ne ostavljajte ga na otvorenom kad pada kiša.
IPX5	IP simbol	Zaštita od prodora vode, 5. stupanj
V	Volti	Napon
mm	Milimetar	Duljina ili veličina
cm	Centimetar	Duljina ili veličina
kg	Kilogram	Težina
	Istosmjerna struja	Vrsta ili karakteristike struje

**⚠ UPOZORENJE:** Pročitajte sva sigurnosna upozorenja označena simbolom i sve upute.

**Sačuvajte sva upozorenja i sve upute za buduće potrebe.** Pojam “električni alat” u upozorenjima odnosi se na električni alat s napajanjem iz električne mreže (s kabelom) ili na električni alat s napajanjem iz baterije (bez kabela).

**⚠ Opća upozorenja u vezi sigurnosti za električni alat – sigurnost radnog područja.**

- Radno područje održavajte čistim i dobro osvijetljenim. Pretrpana ili mračna područja izazivaju nesreće.
- Električni alat ne upotrebljavajte u eksplozivnim okruženjima, primjerice u prisutnosti zapaljivih tekućina, benzina ili prašine. Električni alat stvara iskre koje mogu zapaliti prašinu ili isparenja.
- Udaljite djecu i promatrače za vrijeme rada s električnim alatom. Ometanja mogu rezultirati gubitkom kontrole nad alatom.

**⚠ Opća upozorenja u vezi sigurnosti za električni alat – sigurnost od električnog udara.**

- Utikači električnog alata moraju odgovarati utičnici. Ne izvodite nikakve preinake utikača. Ne upotrebljavajte adaptere za utikače s uzemljenim električnim alatom. Nепреиначени utikači i odgovarajuće utičnice smanjit će rizik od električnog udara.
- Izbjegavajte kontakt tijela s uzemljenim površinama, kao što su slavine, radijatori, peći i hladnjaci. Rizik od električnog udara je veći ako je vaše tijelo uzemljeno.
- Električni alat ne izlažite kiši ili mokrim uvjetima. Prodor vode u električni alat povećat će rizik od električnog udara.
- Kabel ne upotrebljavajte nepropisno. Kabel nemojte upotrebljavati za nošenje, povlačenje ili odspajanje električnog alata od električnog napajanja. Kabel držite dalje od izvora topline, ulja, oštih rubova ili pokretnih dijelova. Oštećeni ili prignječeni kabeli povećavaju rizik od električnog udara.
- Kada električnim alatom radite na otvorenom, upotrebljavajte produžni kabel prikladan za uporabu na otvorenom. Uporaba kabela prikladnog za uporabu na otvorenom smanjuje rizik od električnog udara.
- Ako je rad s električnim alatom u vlažnom području neizbježan, upotrebljavajte napajanje s uređajem za zaštitu od dozemnog spoja. Uporabom uređaja za zaštitu od dozemnog spoja smanjuje se rizik od električnog udara.

**⚠ Opća upozorenja u vezi sigurnosti za električni alat – tjelesna sigurnost.**

- Budite oprezni, gledajte što radite i vodite se načelima zdravog razuma kada radite s električnim alatom. Nemojte raditi s električnim alatom ako ste umorni ili pod utjecajem droge, alkohola ili lijekova. Trenutak nepažnje tijekom rada s električnim alatom može rezultirati teškim tjelesnim ozljedama.

- Upotrebljavajte osobnu zaštitnu opremu. Obvezno nosite zaštitu za oči. Osobna zaštitna oprema kao što je maska protiv prašine, zaštitne cipele s potplatama protiv klizanja, zaštitna kaciga ili štitnici za sluh, koja se koristi za odgovarajuća stanja, umanjit će opasnost od ozljede.
- Spriječite nenamjerno pokretanje. Prije spajanja na izvor napajanja i/ili baterijski modul, uzimanja ili nošenja alata uvjerite se da se prekidač nalazi u isključenom položaju. Nošenje električnih alata s prstom na sklopici ili napajanje električnih alata koji imaju uključenu sklopku izaziva nesreće.
- Prije uključivanja električnog alata, uklonite sve ključeve za podešavanje ili stezne ključeve. Ključ ili ključ za podešavanje ostavljen na rotacijskom dijelu električnog alata može rezultirati tjelesnim ozljedama.
- Nemojte se naginjati preko alata. Cijelo vrijeme održavajte propisno držanje i ravnotežu. To će omogućiti bolju kontrolu nad električnim alatom u neočekivanim situacijama.
- Obucite se prikladno. Ne nosite široku odjeću ili nakit. Kosu, odjeću i rukavice držite dalje od pokretnih dijelova. Široka odjeća, nakit ili duga kosa može se zahvatiti pokretnim dijelovima.
- Ako su uređaji opremljeni priključkom za odvod i sakupljanje prašine, pobrinite se da se propisno spoje i upotrebljavaju. Uporabom uređaja za sakupljanje prašine mogu se smanjiti opasnosti koje se odnose na prašinu.
- Nemojte dopustiti da vas poznavanje alata stečeno čestom uporabom učini samodopadnim te da zanemarite sigurnosna načela za alat. Nepažljiv rad može rezultirati teškim ozljedama u djeliću sekunde.

**⚠ Dodatna opća upozorenja o sigurnosti električnog alata – upotreba i održavanje električnog alata.**

- Ne forsirajte električni alat. Upotrebljavajte propisani električni alat za primjenu. Propisani električni alat bolje će i sigurnije obaviti zadatak brzinom za koju je konstruiran.
- Ne upotrebljavajte električni alat ako ga sklopkom ne možete uključiti i isključiti. Svaki električni alat koji se ne može kontrolirati sklopkom opasan je i potrebno ga je popraviti.
- Prije podešavanja, mijenjanja nastavaka ili spremanja alata odvojite utikač od izvora napajanja i/ili iz alata izvadite baterijski modul. Takve preventivne mjere sigurnosti smanjuju rizik od iznenadnog pokretanja električnog alata.

- **Nekoristišeni električni alat spremite izvan dohvata djece i ne dopustite osobama koje ne poznaju električni alat ili ove upute da rade s električnim alatom.** Električni alati opasni su u rukama neobučениh korisnika.
- **Održavajte električni alat.** Provjerite jesu li pokretni dijelovi centrirani ili spojeni, da nema polomljenih dijelova i da nema stanja koja mogu utjecati na rad električnog alata. **Ako je oštećen, električni alat dajte na popravak prije uporabe.** Loše održavani električni alati uzrok su mnogih nesreća.
- **Rezne alate održavajte oštroma i čistima.** Propisno održavani rezni alati s oštrim reznim bridovima manje su sklони zaglavlivanju i lakši su za upravljanje.
- **Električni alat, dodatnu opremu i alatne nastavke, itd., upotrebljavajte u skladu s ovim uputama, uzimajući u obzir radne uvjete i zadatak koji je potrebno obaviti.** Uporaba električnog alata za radove drukčija od namjenske može rezultirati opasnim situacijama.
- **Rukohvate i površine rukohvata održavajte suhim, čistim i očišćenim od ulja i masti.** Skliski rukohvati i skliske površine rukohvata onemogućuju sigurno rukovanje i upravljanje alatom u neočekivanim situacijama.
- **Ovaj teleskopski pogonski štap PPX1000 od 56 V može se koristiti samo sa sljedećim EGO nastavcima ili onima koje tvrtka EGO naknadno predstavi za upotrebu s ovim teleskopskim pogonskim štapom:**

VRSTA NASTAVKA	BROJ MODELA
Nastavak škara za živicu	PTX5100
Nastavak štapne pile	PSX2500

## **⚠ Opća upozorenja u vezi sigurnosti za električni alat – upotreba i održavanje baterijskog alata.**

- **Punjenje obavljajte samo s punjačem kojeg je propisao proizvođač.** Punjač koji je prikladan za jedan tip baterijskog modula može stvoriti rizik od požara ako ga se upotrebljava s drugim baterijskim modulom.
- **Električni alat upotrebljavajte samo s izričito propisanim baterijskim modulima.** Uporaba drugih baterijskih modula može stvoriti rizik od ozljeda i požara.
- **Kada baterijski modul nije u upotrebi, čuvajte ga što dalje od metalnih predmeta kao što su spajalice, novčići, ključevi, čavli, vijci i drugi mali metalni predmeti koji mogu ostvariti kratki spoj među priključcima.** Kratko spajanje baterijskih kontakata može prouzročiti opekline ili požar.

- **U slučaju neprimjerene uporabe, baterija može izbaciti tekućinu; izbjegavajte kontakt. Ako slučajno dođe do doticaja, mjesta doticaja isperite vodom. Ako tekućina dođe u doticaj s očima, dodatno potražite pomoć liječnika.** Tekućina koju izbaci baterija može prouzročiti nadraženost kože ili opekline.
- **Ne upotrebljavajte baterijski modul ili alat koji je oštećen ili preinačen.** Oštećene ili preinačene baterije mogu pokazati nepredvidivo ponašanje koje može rezultirati požarom, eksplozijom ili opasnošću od ozljeda.
- **Baterijski modul i alat ne izvrgavajte vatri ili previsokoj temperaturi.** Izvrgavanje vatri ili temperaturi višoj od 130 °C može prouzročiti eksploziju.
- **Prizdržavajte se svih uputa za punjenje, a baterijski modul ili alat nemojte puniti izvan raspona temperature propisanog u uputama.** Nepropisno punjenje ili punjenje pri temperaturama izvan propisanog raspona može oštetiti bateriju i povećati opasnost od požara.

## **⚠ Opća upozorenja u vezi sigurnosti za električni alat – servis.**

- **Servisiranje električnog alata prepustite kvalificiranom osoblju za popravak koje upotrebljava samo identične zamjenske dijelove.** Time će se osigurati održavanje sigurnosti električnog alata.
- **Ne servisirajte oštećene baterijske module.** Servisiranje baterijskih modula smiju obavljati samo proizvođač ili ovlašteni serviseri.
- **Ako se pojave situacije koje nisu obuhvaćene ovim priručnikom, postupite oprezno i uz dobru procjenu.** Za pomoć se obratite servisnom centru proizvođača EGO.

## **SAČUVAJTE OVE UPUTE**

**DODATNI KONKRETNI SIGURNOSNI PROPISI MOGU SE PRONAĆI U PRIRUČNIKU ZA RUKOVANJE ODGOVARAJUĆIM NASTAVKOM.**

## **TEHNIČKI PODACI**

Napon	56 V ---
Preporučena radna temperatura:	0°C-40°C
Preporučena temperatura skladištenja	-20°C-70°C
Težina	3.9kg



## OPIS

### UPOZNAJTE TELESKOPSKI POGONSKI ŠTAP (SI. A)

1. Stražnja drška
2. Jezičak za fiksiranje
3. Ušica za prenošenje
4. Prednja drška
5. Gumb za stezanje
6. Gumb za oslobađanje vratila
7. Gumb za fiksiranje
8. Spojka
9. Teleskopska cijev
10. Okidač s regulacijom brzine
11. Nosač alata
12. Naramenica
13. Mehanizam za izbacivanje
14. Zapor
15. Gumb za oslobađanje baterije
16. Držač ključa
17. Kombinirani ključ

## OTPREMNICIA (SL. A)

### SASTAVLJANJE

**⚠ UPOZORENJE:** Ako je bilo koji dio oštećen ili nedostaje, nemojte upotrebljavati proizvod dok se ne zamijene dijelovi. Upotreba proizvoda na kojemu nedostaju dijelovi ili su oštećeni, može dovesti do ozbiljne tjelesne ozljede.

**⚠ UPOZORENJE:** Pri sastavljanju dijelova, obavljanju podešavanja, čišćenju ili kada ne upotrebljavati proizvod, baterijski modul izvadite iz proizvoda.

### PRIČVRŠĆIVANJE NASTAVKA NA TELESKOPSKI POGONSKI ŠTAP

**⚠ UPOZORENJE:** Pročitajte i usvojite cijeli Korisnički priručnik za svaki opcijski nastavak koji se koristi na ovom teleskopskom pogonskom štapu i pratite sva upozorenja i upute. Zanemarivanje uputa može rezultirati električnim udarom, požarom i/ili teškim tjelesnim ozljedama.

**⚠ UPOZORENJE:** Ovaj teleskopski pogonski štap PPX1000 od 56 V predviđen je za uporabu samo s EGO modelima nastavaka koji su navedeni u ovom Korisničkom priručniku ili onima koje tvrtka EGO naknadno predstavi za upotrebu s ovim teleskopskim pogonskim štapom. Upotreba drugih, neovlaštenih nastavaka može uzrokovati teške tjelesne ozljede ili materijalnu štetu.

**⚠ UPOZORENJE:** Nastavak nemojte pričvršćivati ili podešavati dok je teleskopski pogonski štap u radu ili

kada je baterija ugrađena. Zanemarivanje zaustavljanja rada motora i uklanjanja baterije može rezultirati teškim tjelesnim ozljedama.

Nastavak se spaja na teleskopski pogonski štap pomoću spojke.

1. Zaustavite rad motora i izvadite baterijski modul.
2. Otpustite gumb za fiksiranje.
3. Poravnajte strelicu na vratilu nastavka s indikatorom poravnavanja na spojki i gurnite vratilo nastavka u spojku tako da se začuje jasan zvuk „klik“, spojka mora biti postavljena skroz do referentne linije na vratilu na koje je na pravilan način pričvršćeno vratilo nastavka. (Sl. B)

B-1	Gumb za oslobađanje vratila	B-4	referentna linija
B-2	Indikator poravnavanja	B-5	Gumb za fiksiranje
B-3	Strelica		

4. Povucite vratilo nastavka kako biste provjerili da je pričvršćeno u spojku. Ako nije, gurnite vratilo nastavka u spojku tako da sjedne na svoje mjesto.
5. Čvrsto stegnite gumb za fiksiranje.

**⚠ UPOZORENJE:** Provjerite je li gumb za fiksiranje do kraja stegnut prije korištenja opreme; povremeno provjeravajte stegnutost tijekom upotrebe kako biste izbjegli teške tjelesne ozljede.

### UKLANJANJE NASTAVKA S TELESKOPSKOG POGONSKOG ŠTAPA

1. Zaustavite rad motora i izvadite baterijski modul.
2. Otpustite gumb za fiksiranje.
3. Pritisnite gumb za oslobađanje vratila i dok je gumb utisnut, povucite nastavak i izvucite ga iz spojke.

### MONTIRANJE NARAMENICE (SI. C)

Utisnite kuku za traku kako bi se otvorila i pričvrstite ju na ušicu za nošenje.

### PRODUŽIVANJE TELESKOPSKJE CIJEVI

Alat je opremljen teleskopskom cijevi koja se proteže do 960 mm (potpuno izvučena).

Gumb za stezanje služi za držanje teleskopske cijevi u položaju na bilo kojoj izvučenoj duljini.

1. Da biste izvukli teleskopsku cijev, otpustite gumb za stezanje prateći njegovu ikonu za otključavanje. Teleskopska cijev će kliziti slobodno (Sl. D)

D-1	Gumb za stezanje	D-2	Oznaka za maksimalno ograničenje
-----	------------------	-----	----------------------------------

- Izvučite teleskopsku cijev do željene duljine produženja.
- Da biste zaključali teleskopsku cijev na svom mjestu, zategnite gumb za stezanje prateći njegovu ikonu za zaključavanje.

**⚠ UPOZORENJE:** U slučaju priklještenja ruke ili prstiju, budite oprezni u svakom koraku

## RAD

**⚠ UPOZORENJE:** Nemojte biti nepažljivi zato što ste upoznati s načinom rada proizvoda. Zapamtite da je samo jedan djelić sekunde nepažnje dovoljan za nastanak ozbiljne ozljede.

**⚠ UPOZORENJE:** Obavezno nosite zaštitu za oči. Nepostupanje u skladu s tim može rezultirati odbacivanjem predmeta u oči i drugim mogućim teškim ozljedama.

**⚠ UPOZORENJE:** Nemojte upotrebljavati priključke ili pribor koje nije preporučio proizvođač ovog proizvoda. Upotreba nastavaka ili pribora koji nije preporučeni, može dovesti do ozbiljnih tjelesnih ozljeda.

## UGRADNJA/UKLANJANJE BATERIJSKOG MODULA

**NAPOMENA:** Baterijski modul napunite do kraja prije prve uporabe.

### Ugradnja

Poravnajte izbočenja baterije s montažnim utorima i utiskujte baterijski modul prema dolje dok ne začujete klik (sl. E).

E-1	Utor za ugradnju	E-2	Izbočenje
-----	------------------	-----	-----------

### Uklanjanje

Pritisnite gumb za oslobađanje baterije i izvučite baterijski modul (sl. F).

**⚠ UPOZORENJE:** Da biste izbjegli teške tjelesne ozljede, uklonite baterijski modul i držite ruke dalje od jezička za fiksiranje i okidača prilikom nošenja ili transporta alata.

## NARAMENICA

Za siguran i bolji rad, stavite naramenicu preko ramena kako je prikazano na Sl. G, za ublažavanje opterećenja ruku korisnika. Podesite naramenicu u udoban radni položaj.

Postoje dva načina za oslobađanje naramenice. Skinite je izravno s ramena (Sl. H) ili pritisnite kuku trake i odvojite je od ušice za prenošenje na vratilu (Sl. I).

**⚠ UPOZORENJE:** Naramenica je i mehanizam za brzo oslobađanje u opasnim situacijama. U slučaju nužde, naramenicu odmah skinite s ramena bez obzira na koji način naramenica postavljena.

## DRŽANJE TELESKOPSKOG POGONSKOG ŠTAPA

Teleskopski pogonski štap opremljen je naprednim sustavom dvostrukog okidača (Sl. J). Svaki sustav okidača može se zasebno koristiti za uključivanje ili isključivanje alata. Ova inovativna metoda dvostrukog upravljanja pruža ergonomski rad u svakodnevnom teškom poslu. (Sl. K i L)

## POKRETANJE/ZAUSTAVLJANJE TELESKOPSKOG POGONSKOG ŠTAPA

### Pokretanje teleskopskog pogonskog štapa

Pomaknite jezičak za fiksiranje naprijed i pritisnite okidač s regulacijom brzine za uključivanje teleskopskog pogonskog štapa. Što je veći pritisak na okidač s regulacijom brzine, to je veća brzina glave nastavka

### Zaustavljanje

Utpustite okidač s regulacijom brzine i jezičac za fiksiranje.

## ODRŽAVANJE

**⚠ UPOZORENJE:** Pri servisiranju koristite samo identične zamjenske dijelove. Redovito obavljajte preglede i održavajte stroj. Radi sigurnosti i pouzdanosti, sve popravke treba obavljati kvalificirani servisni tehničar.

**⚠ UPOZORENJE:** Prije pregleda, čišćenja ili servisiranja uređaja, zaustavite rad motora, pričekaite da se svi pokretni dijelovi zaustave i izvadite bateriju. Nepoštivanje ovih uputa može rezultirati ozbiljnim tjelesnim ozljedama ili oštećenjem imovine.

**⚠ OBAVIJEST:** Prije svake upotrebe, pregledajte da na stroju nema oštećenih, nedostajućih ili olabavljenih dijelova kao što su vijci, matice i poklopci. Dobro pritegnite sve elemente za pričvršćenje i kapice i ne koristite proizvod dok se svi dijelovi koji nedostaju ili oštećeni dijelovi ne zamijene. Obratite se službi za korisnike ili tehničaru ovlaštenog servisa.

## OPĆE ODRŽAVANJE

Pri čišćenju plastičnih dijelova, izbjegavajte upotrebu otapala. Većina plastičnih materijala podložna je oštećenju

od različitih vrsta komercijalnih otapala i mogu se oštetiti u slučaju njihove upotrebe. Za uklanjanje nečistoće, prašine, ulja, masti i sl. koristite čiste krpe.

### ČIŠĆENJE TELESKOPSKOG POGONSKOG ŠTAPA

1. Zaustavite rad motora i izvadite baterijski modul.
2. Vlažnom krpom i blagim deterdžentom očistite prijavštinu i ostatke s teleskopskog pogonskog štapa.

**OBVIJEST:** Za čišćenje plastičnog kućišta ili rukohvata ne koristite jake deterdžente. Njih mogu oštetiti neka aromatična ulja, kao što su borovo i limunovo ulje.

### ČUVANJE TELESKOPSKOG POGONSKOG ŠTAPA

1. Izvadite baterijski modul iz teleskopskog pogonskog štapa prije njegova skladištenja.
2. Očistite sav strani materijal s teleskopskog pogonskog štapa.
3. Pohranite ga na mjestu koje nije dostupno djeci.
4. Držite dalje od korozivnih sredstava kao što su vrtno kemikalije i soli za odleđivanje.

### Zaštita okoliša



Električnu opremu, punjač baterije i baterije/akumulatorske baterije ne odlažite u otpad iz kućanstva!

## OTKLANJANJE SMETNJI

Pogledajte Korisnički priručnik za odgovarajući nastavak.

## JAMSTVO

### JAMSTVENA POLITIKA PROIZVOĐAČA EGO

Za cjelokupne uvjete jamstvene politike proizvođača EGO posjetite internetsku stranicu [egopowerplus.com](http://egopowerplus.com).

## სრულად გაეცანით ინსტრუქციას!



**გაეცანით მომხმარებლის ინსტრუქციას**

**⚠ არსებული რისკი!** პიროვნებებმა ისეთი ელექტრული მოწყობილობებით, როგორცაა იმპლანტირებული დეფიბრილატორი, უნდა მიმართონ პირად ექიმს რჩევებისთვის ამ პროდუქტის გამოყენებამდე. იმპლანტირებულ დეფიბრილატორთან უშუალო სიახლოვეს ელექტრული მოწყობილობის ოპერირებამ შესაძლოა დეფიბრილატორის ხელი შეუშალოს მუშაობაში ან გაითიშოს იგი.

**⚠ გაფრთხილება:** ხელსაწყოს უსაფრთხოოდ და გამართულად მუშაობისთვის საჭიროა მისი ყველა შეკეთება და ნაწილის შეცვლა შესრულდეს კვალიფიციური სერვისის ტექნიკოსის მიერ.

## უსაფრთხოების წესის სიმბოლოები

უსაფრთხოების წესის სიმბოლოების მიზანია მიაქციოთ ყურადღება შესაძლო საფრთხეებს. ყურადღებით გაეცანით და შეისწავლეთ უსაფრთხოების წესის სიმბოლოები და მათი შესაბამისი განმარტებები. უსაფრთხოების წესის სიმბოლოების მინიმუმები თავისთავად არ ანეიტრალებს რაიმე საფრთხის არსებობის რისკს. მათ მიერ მოწოდებული ინსტრუქციები და გაფრთხილებები არ არიან შემთხვევის თავიდან აცილების სწორი პროცედურის შემცველები.

**⚠ აფრთხილება:** ხელსაწყოს გამოყენებამდე დაწვრილებით გაეცანით და შეისწავლეთ ყველა უსაფრთხოების წესი მომხმარებლის ამ ინსტრუქციაში, მათ შორის ყველა უსაფრთხოების წესის სიმბოლო როგორცაა „საშიშროება“, „გაფრთხილება“ და „ყურადღება“. ქვემოთ ჩამოთვლილი ყველა ინსტრუქციის უგულვებელყოფამ შესაძლოა გამოიწვიოს ელექტრული შოკი, ხანძარი და/ან მოგაყენოთ სერიოზული პირადი ზიანი.

## სიმბოლოების მნიშვნელობა



**⚠ გაფრთხილება:** ელექტრული ხელსაწყოს გამოყენებისას შესაძლოა უცხო სხეულის თვალბრტყის მიდამოში მოხვედრა, რამაც შესაძლოა გამოიწვიოს თვალის მნიშვნელოვანი დაზიანება. ელექტრული ხელსაწყოს გამოყენებამდე აუცილებლად მიორგეთ უსაფრთხოების თვალსაფარი ან სათვალე მყარი თვალის დამცავებით და მთლიანი სახის ეკრანით. ჩვენ რეკომენდაციას ვუწვევთ ფართო ხედვის არის მქონე უსაფრთხოების ნიღაბს სათვალეებთან ერთად ან სტანდარტულ გვერდითა ეკრანების მქონე უსაფრთხოების სათვალეებს.

## უსაფრთხოების წესის ინსტრუქცია

ეს გვერდი აჩვენებს და აღწერს იმ უსაფრთხოების წესის სიმბოლოებს, რომლებიც შესაძლოა აღბეჭდილია მოცემულ პროდუქტზე. წაიკითხეთ, შეისწავლეთ და მიყევით ხელსაწყოს ყველა ინსტრუქციას მის აწყობამდე და ჩართვამდე.

	<p>უსაფრთხოების გაფრთხილება</p>	<p>აღნიშნავს შესაძლო პირადი ზიანის საფრთხეს.</p>
	<p>გაეცანით მომხმარებლის ინსტრუქციას</p>	<p>დაზიანების რისკის შესამცირებლად მომხმარებელმა უნდა წაიკითხოს და გაეცნოს ხელსაწყოს მუშაობის ინსტრუქციას მის გამოყენებამდე.</p>

	გაიკეთეთ თვალეხი დამცავი	ყოველთვის მორჩეთ უსაფრთხოების თვალსაფარი ან გვერდითა ეკრანების მქონე უსაფრთხოების სათვალე და მოლიანი სახის ეკრანი, ხელსაწყოთი სარგებლობისას.
	CE	ხელსაწყო შესაბამემა ევროკავშირის მიერ წამოყენებულ რეგულაციებს.
	WEEE	ელექტრული ხელსაწყოების უტილიზაცია არ უნდა მოხდეს საყოფაცხოვრებო ნარჩენებთან ერთად. წაიღეთ ხელსაწყო ნარჩენების ავტორიზებულ გადამამუშავებელთან.
	არ მოათავსოთ ხელსაწყო წვიმის ქვეშ	არ გამოიყენოთ წვიმაში ან დატოვოთ გარეთ წვიმის დროს.
IPX5	IP სიმბოლო	მე-5-ე დონის დაცვა წყლის შესვლისგან
V	ვოლტი	ძაბვა
mm	მილიმეტრი	სიგრძე ან ზომა
cm	სანტიმეტრი	სიგრძე ან ზომა
kg	კილოგრამი	წონა
	მუდმივი დენი	დენის ტიპი ან სახე

**⚠ გაფრთხილება: გაცენით ყველა ⚠ სიმბოლოთი აღნიშნულ უსაფრთხოების გაფრთხილებასა და ინსტრუქციას.**

**შეინახეთ ყველა მითითება და ინსტრუქცია სამომავლოდ გამოყენებისთვის.**

ტერმინი „ელექტრო ხელსაწყო“ უსაფრთხოების ინსტრუქციაში შეესაბამება ქსელიდან (სადენით) ან აკუმულატორით (უსადენო) მიღებულ დენზე მომუშავე ელექტრო ხელსაწყოს.

**⚠ ელექტრო ხელსაწყოს უსაფრთხოების ზოგადი მაჩვენებლები - სამუშაო სივრცის უსაფრთხოება.**

- დაიცავით სამუშაო სივრცის სისუფთავე და იქონიეთ კარგი განათება. ჩახერგილი ან ბნელი სამუშაო სივრცე იწვევს ინციდენტებს.
- არ ამუშაოთ ელექტრული ხელსაწყო ჰაერში ფეთქებადი საშუალებების არსებობისას, როგორცაა აალებადი სითხეები, ბენზინი ან მტვერი. ელექტრო ხელსაწყოები წარმოქმნის ნაპერწკლებს, რომელმაც შესაძლოა აანთოს მტვერი ან აირი.
- ელექტრო ხელსაწყოთი სარგებლობისას მორჩიდეთ მას ზავებები და სხვა პირები. ყურადღების გაფანტვას შეუძლია გამოიწვიოს ხელსაწყოზე კონტროლის დაკარგვა.

**⚠ ელექტრო ხელსაწყოს უსაფრთხოების ზოგადი მაჩვენებლები - ელექტრო უსაფრთხოება.**

- ელექტრული ხელსაწყოს დენის ჩანგალი უნდა ერგებოდეს შტეფსელს. არასოდეს გაუკეთოთ მოდიფიცირება ხელსაწყოს დენის ჩანგალს. არ გამოიყენოთ ადაპტორები ისეთი ხელსაწყოების დენის ჩანგალზე, რომელსაც აქვს დამიწება. არსებული დენის ჩანგალი და მისი შესაბამისი შტეფსელის არსებობა ამცირებს ელექტრული შოკის რისკს.
- მოერიდეთ სხეულით დამიწებული საგნების ზედამხრებთან კონტაქტს, როგორცაა მიღები, რადიატორები, ქურები და მაცივრები. ელექტრული შოკის მიღების რისკი იზრდება თუ თქვენი სხეული დამიწებულია.
- არ დატოვოთ ელექტრული ხელსაწყოები წვიმაში ან სველ ადგილას. ელექტრული ხელსაწყოში შესული წყალი ზრდის ელექტრული შოკის მიღების რისკს.

- არ დააზიანოთ დენის სადენი. არასოდეს გამოიყენოთ სადენი ხელსაწყოთა სატარებლად, მოსაქაჩად ან შტეტფსელიდან ამოსართველად. დაიცავით დენის სადენი სიმბურვალისგან, ზეთისგან, მჭრელი და მოძრავი საგნებისგან. დაზიანებული ან გადახლართული დენის სადენი ზრდის ელექტრული შოკის რისკს.
- ელექტრული ხელსაწყოთი გარეთ სარგებლობისას გამოიყენეთ დამაგრებელბედი, რომელიც გამოსადეგია გარეთ მუშაობისთვის. გარეთ მუშაობისთვის შესაბამისი ელექტრული სადენის გამოყენება ამცირებს ელექტრული შოკის რისკს.
- თუ ელექტრული ხელსაწყოთს ნესტიან გარემოში მუშაობა გარდაუვალია, გამოიყენეთ დამიწებაზე დამოკლებისას წრედის ამორთვის დაცვის მქონე (GFCI) კვების წყარო. GFCI წრედის ამორთვის დაცვის მქონე კვების გამოყენება ამცირებს ელექტრული შოკის რისკს.

**⚠ ელექტრო ხელსაწყოთა უსაფრთხოების ზოგადი მაჩვენებლები - პირადი უსაფრთხოება.**

- ხელსაწყოთს გამოყენებისას იყავით ფიზიკურად, იმოქმედეთ დაკვირვებით და სალი აზრის გათვალისწინებით. არ გამოიყენოთ ხელსაწყო როდესაც ხართ დაღლილი, ან ალკოჰოლის, მედიკამენტების ან ნარკოტიკების ზემოქმედების ქვეშ. ხელსაწყოთი სარგებლობისას წამიერძა უყურადღებობამ შეიძლება მოგაყენოთ სხეულის სერიოზული ტრავმა.
- გამოიყენეთ პირადი დამცავი საშუალებები. ყოველთვის გაიკეთეთ თვალების დამცავი. შესაბამის სამუშაო პირობებში დამცავი საშუალებების გამოყენება, როგორცაა მტვრის საწინააღმდეგო ნიღაბი, მოცურების საწინააღმდეგო სპეც ფეხსაცმელი, მყარ ჩაფხუტი ან სმენის დამცავი, ამცირებს სამუშაო ტრავმებს.
- გაუთვალისწინებელი ჩართვის აღკვეთა. დარწმუნდით რომ ჩამრთველი არის

გამორთულ პოზიციაში, ხელსაწყოთს დენში და/ან აკუმულატორთან შეერთებამდე, ხელსაწყოთს მალა აწვეამდე ან ტარებამდე. ელექტრო ხელსაწყოების ტარება ჩამრთველის დილაკზე დადებული თითით ან ხელსაწყოთს დენში მიერთება, რომელსაც გააქტიურებული აქვს ჩართვის დილაკი, იწვევს ინციდენტებს.

- მოხსენით ნებისმიერი დამაგრებელი მარგულირებული ხელსაწყოთს ან ქანჩის გასაღები ელექტრო ხელსაწყოთს ჩართვამდე. ელექტრო ხელსაწყოთს მბრუნავ ნაწილზე დამაგრებულმა ქანჩის გასაღებმა ან სხვა მარგულირებულმა შესაძლოა მოგაყენოთ სხეულის დაზიანება.
- ზედმეტად არ გადახაროთ. ყოველთვის დაიცავით ბალანსი და მყარად იდექით ფეხზე. ეს გაძლევთ საშუალებას მოახდინოთ ხელსაწყოთს უკეთესი კონტროლი მოულოდნელ სიტუაციებში.
- ჩაიცავით შესაბამისად. არ ჩაიცავთ განიერი, ფრიალა ტანსაცმელი და ძვირფასეულობა. მოაცილოთ თქვენი თმა, ტანსაცმელი და ხელთათმანები მოძრავ ნაწილებს. თავისუფალი ტანსაცმელი, ძვირფასეულობა ან გრძელი თმა შესაძლოა ჩაითრიოს მოძრავმა ნაწილებმა.
- თუ არსებობს მტვრის ან ნარჩენების შემაკავშირებელი მოწყობილობები და შემგროვებელი საშუალებები, დარწმუნდით რომ ისინი სწორადაა შეერთებული და გამოყენებული. მტვრისთვის განკუთვნილი საშუალებების გამოყენებამ შესაძლოა შეამციროს მასთან დაკავშირებული საფრთხეები.
- შეეცადეთ მსგავს ხელსაწყოთთან ხშირი მუშაობის გამოცდილებამ არ გამოიწვიოს თქვენი უზრუნველობა და არ გაუკეთოთ ხელსაწყოთს უსაფრთხოების პრინციპებს იგნორირება. უგულისყურო საქციელმა წამის მეთაქვში კი შესაძლოა მოგიტანოთ სერიოზული ზიანი.

**⚠ ელექტრული ხელსაწყოთა უსაფრთხოების ზოგადი მითითებები - ელექტრული ხელსაწყოთა გამოყენების და მოვლის წესი.**

- არ დატანოთ ძალა ელექტრო ხელსაწყოთა გამოყენებით სწორი ელექტრო ხელსაწყოთა ტიპის მიზნებისთვის. სწორი ელექტრო ხელსაწყო უკეთ და უფრო უსაფრთხოდ გააკეთებს იმ საქმეს, რომლისთვისაც განკუთვნილია.
- არ გამოიყენოთ ხელსაწყო, თუ ჩამრთველი არ რთავს ან თიშავს მას. ნებისმიერი ხელსაწყო, რომელიც ვერ კონტროლდება ჩამრთველით, სახიფათოა და საჭიროებს შეკეთებას.
- გათიშეთ დენის ჩანაგალი შტეფსელიდან და/ან მოხსენით აკუმულატორი ხელსაწყოთა ნებისმიერი რეგულირებისას, ნაწილის ცვლილებისას ან ხელსაწყოთა შენახვამდე. მსგავსი პრევენციული უსაფრთხოების ზომები ამცირებს ელექტრული ხელსაწყოთა უცაბედი ჩართვის რისკს.
- გათიშული ელექტრული ხელსაწყოები შეინახეთ ბავშვებისთვის მიუწვდომელ ადგილას და არ მისცეთ ხელსაწყოთა გამოყენების უფლება მისით სარგებლობის არმცოდნე ან მის ინსტრუქციაში ჩაუხედავ პირებს. ელექტრო ხელსაწყოები გამოუცდელი პირების ხელში სახიფათოა.
- მოუარეთ ელექტრულ ხელსაწყოთა შეამოწმეთ მოძრავი და შემაკავშირებელი ნაწილების ურთიერთწინააღმდეგობა, ნაწილების დაზიანება და ნებისმიერი სხვა მდგომარეობა, რომელმაც შეიძლება გავლენა იქონიოს ელექტრო ხელსაწყოთა მუშაობაზე. დაზიანების შემთხვევაში, შეაკეთეთ ხელსაწყო გამოყენებამდე. ბევრი ინციდენტი გამოწვეულია ცუდად მოვლილი ელექტრო ხელსაწყოების გამო.
- მჭრელი ხელსაწყოები იქონიით სუფთა და ბასრ მდგომარეობაში. სწორად მოვლილი ბასრი საჭრელი პირის მქონე მჭრელი ხელსაწყოების გახლართვა ნაკლებად სავარაუდოა და მათი კონტროლიც უფრო ადვილია.

- გამოიყენეთ ეს ხელსაწყო, მისი ნაწილები, მათი დამჭერები და ა.შ. ინსტრუქციების მიხედვით, სამუშაო გარემოს და სამუშაოს ტიპის გათვალისწინებით. ელექტრული ხელსაწყოთა არადანაწესებულებისამებრ გამოყენებამ შესაძლოა შექმნას სახიფათო სიტუაცია.
- იქონიით სახელურები და ხელის ჩასაჭიდი სხვა ზედაპირები მშრალ და სუფთა მდგომარეობაში, მათ შორის ცხიმისა და ზეთის გარეშე. სრიალა სახელურები და ხელის ჩასაჭიდი ზედაპირები არ იძლევა ხელსაწყოთა უსაფრთხო მოპყრობისა და კონტროლის საშუალებას, მოულოდნელ სიტუაციებში.
- ეს 56 ვოლტზე მომუშავე ტელესკოპური ელექტრული ძელი PPX1000 შესაძლოა გამოყენებულ იქნას მხოლოდ შემდეგ EGO-ს ხელსაწყოებთან, რომელიც ამჟამად მითითებულია EGO-ს მიერ ამ ძელით თავსებადობაზე ან შემდგომში იქნება წარმოდგენილი იგივენაირად:

მოწყობილობის ტიპი	მოდელის ნომერი
ბუჩქის საკრეჭი მიმაგრება	PTX5100
ძელზემდებარე ხერხის მიმაგრება	PSX2500

**⚠ ელექტრული ხელსაწყოთა უსაფრთხოების ზოგადი მითითებები - აკუმულატორის გამოყენების და მოვლის წესი.**

- დატენით მხოლოდ მწარმოებლის მიერ მითითებული დამტენი მოწყობილობით. დამტენმა მოწყობილობამ, რომელიც თავსებადია ერთი ტიპის აკუმულატორთან, შესაძლოა წარმოშვას ხანძრის გაჩენის რისკი სხვა აკუმულატორზე გამოყენებისას.
- გამოიყენეთ ელექტრო ხელსაწყოები მხოლოდ სპეციალურად აღნიშნული აკუმულატორებით. სხვა აკუმულატორების გამოყენებამ შესაძლოა წარმოშვას ფიზიკური დაზიანების ან ხანძრის რისკი.

**KA**

- როდესაც აკუმულატორს არ იყენებთ, მთავილით იგი ლითონის საგნებს, როგორცაა ქაღალდის კლიბი, მონეტა, გასაღები, ლურსმანი, ხრახნი ან სხვა მცირე ზომის ლითონის საგნები, რომელთაც შეუძლიათ აკუმულატორის კონტაქტების დამოკლება. აკუმულატორის კონტაქტების დამოკლებამ შესაძლოა გამოიწვიოს დამწვრობა ან ხანძარი.
  - არასწორი მოპყრობის შემთხვევაში, სითხემ შესაძლოა გამოჟონოს აკუმულატორიდან; მოერიდეთ მასთან შეხებას. თუ შემთხვევით შეეხებით, ჩამოიბანეთ წყლით. თუ სითხე მოგვხვდათ თვალებში, მიმართეთ ექიმს. აკუმულატორიდან გამოჟონილმა სითხემ შესაძლოა გამოიწვიოს გაღიზიანება ან დამწვრობა.
  - არ გამოიყენოთ აკუმულატორი ან ხელსაწყო, რომელიც დაზიანებული ან გადაკეთებულია. დაზიანებულმა ან გადაკეთებულმა აკუმულატორმა შესაძლოა გამოავლინოს არაპროფნოზირებადი ქვევა, რამაც შეიძლება გამოიწვიოს ხანძარი, აფეთქება ან პირადი ზიანი.
  - არ მოათავსოთ აკუმულატორი ან ხელსაწყო ცეცხლში ან მაღალი ტემპერატურის გარემოში. 130 °C-ზე მაღალმა ტემპერატურამ შესაძლოა გამოიწვიოს აფეთქება.
  - მიყევით დატენის ინსტრუქციებს და არ დატენოთ აკუმულატორი ინსტრუქციებში მითითებული ტემპერატურული დიაპაზონის გარეთ. აკუმულატორის არასწორი ან ინსტრუქციაში მითითებული ტემპერატურის დიაპაზონის ფარგლებს გარეთ დამუხტვა ზრდის ხანძრის რისკს.
- ⚠ ელექტრო ხელსაწყო უსაფრთხოების ზოგადი მითითებები - სერვისი.**
- ხელსაწყოთან დაკავშირებული ტექნიკური მომსახურება შეასრულებინეთ კვალიფიციურ პირს

**მხოლოდ იდენტური სათადარიგო ნაწილების გამოყენებით.** ეს უზრუნველყოფს ხელსაწყო უსაფრთხოდ მუშაობის რეჟიმის შენარჩუნებას.

- არასოდეს შეაკეთოთ დაზიანებული აკუმულატორის ბლოკები. აკუმულატორების სერვისი მხოლოდ მწარმოებლის ან ავტორიზებული სერვისის მომწოდებლის მიერ არის შესაძლებელი.
- თუ ისეთი სიტუაცია შეიქმნა, რომელიც არაა აღწერილი ინსტრუქციაში, გამოიწვიოს სადი აზრი და მიიღეთ ფრთხილი გადაწყვეტილებები. მიმართეთ EGO-ს მომსახურების ცენტრს დახმარებისთვის.

**შეინახეთ ეს მომხმარებლის ინსტრუქცია!** დამატებითი სპეციფიკური უსაფრთხოების წესები ვაწვრილია მისადაგებული მიმავრების მომხმარებლის ინსტრუქციაში.

## სპეციფიკაციები

მაზვა	56 ვოლტი
რეკომენდირებული საექსპლუატაციო ტემპერატურა:	0°C-40°C
რეკომენდებული დასაწყობების ტემპერატურა	-20°C-70°C
წონა	3.9 კგ

## აღწერა

**შეისწავლეთ თქვენი ტელესკოპური ელექტრული ძედი (ნახ. A)**

1. უკანა სახელური
2. ჩამკეტი ენავი
3. საკიდი ნასვრეტი
4. წინა სახელური
5. დამჭერი დილაკი
6. ტარის მოხსნის დილაკი
7. ჩამკეტი დილაკი
8. მართებელი ქურო
9. ტელესკოპური მილი
10. ტრიგერი სიჩქარის რეგულირებით
11. ხელსაწყო სსაყრდენი
12. მხარზე ჩამოსაკიდი ღვედი
13. ამოგდების მექანიზმი

KA



14. ჩამკეტი
15. აკუმულატორის მოხსნის დილაკი
16. ქანჩის გასაღების ბუდე
17. კომბინირებული ქანჩის გასაღები

## შეფუთვის ჩამონათვალი (ნახ. A)

### აწყობა

**▲ გაფრთხილება:** თუ რომელიმე ნაწილი დაზიანებულია ან დაკარგულია, არ ისარგებლოთ ხელსაწყოთი, სანამ ყველა ნაწილი არ შეიცვლება. დაზიანებული ან დანაკლისი ნაწილების მქონე ხელსაწყოთი სარგებლობას შესაძლოა მოჰყვეს სერიოზული პირადი ზიანი.

**▲ გაფრთხილება:** ყოველთვის მოხსენით აკუმულატორი ხელსაწყოს, როდესაც ხდება მისი აწყობა, რეგულირება, წმენდა ან როდესაც არ ხდება ხელსაწყოს გამოყენება.

### ტელესკოპურ ელექტრულ ძელებზე მიმაგრების დამონტაჟება

**▲ გაფრთხილება:** წაიკითხეთ და გაეცანით ტელესკოპურ ელექტრულ ძელებზე დასამონტაჟებელი ყველა მისაერთებელი ხელსაწყოს მუშაობის ინსტრუქციას და გაითვალისწინეთ მასში ასახული ყველა გაფრთხილება და ინსტრუქცია. რომელიმე ინსტრუქციის უგულვებელყოფამ შესაძლოა გამოიწვიოს ელექტრული შოკი, ხანძარი და/ან მოგაყენოთ სერიოზული პირადი ზიანი.

**▲ გაფრთხილება:** ეს 56 ვოლტიანი ტელესკოპური ელექტრული ძელი PPX1000 განკუთვნილია მხოლოდ ინსტრუქციაში მითითებულ EGO-ს მისამაგრებელ ხელსაწყოებთან ან მომავალში EGO-ს მიერ წარმოდგენილი მოწყობილობებთან მუშაობისთვის. სხვა, არარეგულირებული მიმაგრებების გამოყენებამ შესაძლოა გამოიწვიოს სერიოზული ფიზიკური ან მატერიალური ზიანი.

**▲ გაფრთხილება:** არასოდეს დაამონტაჟოთ, მოხსნათ ან დაარეგულიროთ რაიმე მიმაგრებული ხელსაწყო, როდესაც ელექტრული ძელი მუშაობს ან მასში აკუმულატორი ჩამონტაჟებულია. მოტორის გაჩერების და აკუმულატორის მოხსნის უგულვებელყოფამ შესაძლოა მოგაყენოთ სერიოზული პირადი ზიანი.

მიმაგრებული ხელსაწყო უერთდება ელექტრულ ძელს მართებული ქურის საშუალებით.

1. გააჩერეთ მოტორი და მოხსენით აკუმულატორი.
2. მოუშვით ჩამკეტი დილაკი.
3. მისამაგრებელ ხელსაწყოზე არსებული ისარი გაუსწორეთ მართებელ ქუროზე მდებარე ისარს და ჩასვით მისამაგრებელი ხელსაწყოს ტარი მართებელ ქუროში, სანამ არ გაიგებთ „წკაკ“ ხმას. მართებელი ტარზე არსებულ ნიშნულამდე უნდა იყოს ჩასმული, რაც მიანიშნებს რომ მისამაგრებელი ხელსაწყოს ტარი დამაგრებულია სწორად. (ნახ. B).

B-1	ტარის მოხსნის დილაკი	B-4	ნიშნული ხაზი
B-2	სწორების ინდიკატორი	B-5	ჩამკეტი დილაკი
B-3	ისრის ნიშნული		

4. მოქაჩეთ მისამაგრებელი ხელსაწყოს ტარი, რათა დარწმუნდეთ რომ იგი უსაფრთხოდ არის ჩამაგრებული ქუროში. თუ ასე არაა, უფრო ღრმად შესვით ტარი ქუროში, სანამ იგი არ ჩაჯდება ბუდეში წკაპით.
5. მჭიდროდ დაუჭირეთ ჩამკეტი დილაკი.

**▲ გაფრთხილება:** დარწმუნდით რომ ჩამკეტი დილაკი არის სრულად დაჭერილი ხელსაწყოს გამოყენებამდე, პერიოდულად შეამოწმეთ დამკერი, რათა თავიდან აიცილოთ სერიოზული პირადი ზიანი.

### ტელესკოპური ელექტრული ძელიდან მიმაგრებული მოწყობილობის მოხსნა

1. გააჩერეთ მოტორი და მოხსენით აკუმულატორი.
2. მოუშვით ჩამკეტი დილაკი.
3. დააჭირეთ ლილვის გამოთავისუფლების დილაკს და დილაკზე ხელის აუშვებლად, გამოაძრეთ მაკავშირებელი წვირი სამაგრი ქუროდან.

KA

## მხარზე ჩამოსაკიდი ღვედის დამაგრება (ნახ. C)

დააჭირეთ ხელი ღვედის კაუქსს და ჩამოაცივით საკიდი ნასვრეტს.

### ტელესკოპური მილის დაგრძელება

ხელსაწყო აღჭურვილია ტელესკოპური მილით, რომლის დაგრძელებაც შესაძლებელია 960 მმ-მდე (სრულად გაშლილ მდგომარეობაში).

დამჭერი ღილაკი აფიქსირებს ტელესკოპური მილის სიგრძეს ნებისმიერ გაშლილ პოზიციასში.

1. ტელესკოპური მილის გასაშლელად მოუშვით დამჭერი ღილაკი გახსნის სიმბოლოს მიმართულებით. ტელესკოპური მილი თავისუფლად დაიწყებს სრიალს (ნახ. D)

D-1	დამჭერი ღილაკი	D-2	მაქსიმალური ზღვრის ინდიკატორი
-----	----------------	-----	-------------------------------

2. გამოშალეთ ტელესკოპური მილი სასურველ სიგრძემდე.
3. ტელესკოპური მილის პოზიციის დასაფიქსირებლად მჭიდროდ დაუჭირეთ დამჭერი ღილაკი ჩამკეტი სიმბოლოს მიმართულებით.

**⚠ გაფრთხილება:** ამ დროს ხელი ან თითები შესაძლებელია ჩაგიყვებთ ხელსაწყოში, ამიტომ ფრთხილად ჩაატარეთ ეს მანიპულაციები.

## ექსპლუატაცია

**⚠ გაფრთხილება:** შეეცადეთ მსგავსი პროდუქტის გამოყენების გამოცდილებამ არ გამოიწვიოს თქვენი უგულისყურობა. დაიმახსოვრეთ რომ უგულისყურობამ წამის მეთაედმიც კი შესაძლოა მოგიტანოთ სერიოზული ზიანი.

**⚠ გაფრთხილება:** ყოველთვის გაიკეთეთ თვალბრინჯის დამცავი. ამ ინსტრუქციის უგულებელყოფამ შესაძლოა გამოიწვიოს სხვადასხვა სხეულის თვალში მოხვედრა და სხვა შესაძლო სერიოზული ზიანი.

**⚠ გაფრთხილება:** არ გამოიყენოთ სხვა ნებისმიერი ნაწილი, რომელიც არაა რეკომენდირებული ამ ხელსაწყოს

მწარმოებლის მიერ. არარეკომენდირებული ნაწილის გამოყენებამ შესაძლოა მოგაყენოთ სერიოზული ზიანი.

### აკუმულატორის დამონტაჟება/მოხსნა

**შენიშვნა:** სრულად დატენილ აკუმულატორი პირველ ჯერზე სარგებლობამდე.

### დასამონტაჟებლად

გაუსწორეთ აკუმულატორის სამაგრები ბუდის ნასვრეტებს და დააწეით აკუმულატორს, სანამ არ გაიგებთ „წკაპ“ ხმას (ნახ. E).

E-1	სამაგრი ნასვრეტი	E-2	სამაგრი წიბო
-----	------------------	-----	--------------

### მოსასხნელად

დააჭირეთ აკუმულატორის გამშვებ ღილაკს და ამოიღეთ აკუმულატორი (ნახ. F).

**⚠ გაფრთხილება:** სერიოზული პერსონალური ზიანისგან თავის არიდების მიზნით ყოველთვის მოხსენით აკუმულატორი და დაიკავით ხელეები შორს ჩამკეტი ენაკისა და ტრიგერისაგან, როდესაც ატარებთ ან გადაგაქვთ ხელსაწყო.

### მხარზე ჩამოსაკიდი ღვედი

უსაფრთხო და უკეთესი მოხმარებისთვის, გადაიკიდეთ ჩამოსაკიდი ღვედი მხარზე როგორც ნაჩვენებია ნახ. G-ზე, რათა შეამციროთ დატვირთვა მომხმარებლის მკლავებზე. დაარეგულირეთ ღვედი კომფორტულ სამუშაო პოზიციასში.

ღვედის შეხსნის ორი გზა არსებობს: პირდაპირ მოიხსნით იგი მხრებიდან (ნახ. H) ან დააჭირეთ ხელი ღვედის კაუქსს და მოხსენით იგი ხელსაწყოს ტარზე დამაგრებული საკიდი ნასვრეტიდან (ნახ. I)

**⚠ გაფრთხილება:** მხრის ღვედი ასევე წარმოადგენს ხელსაწყოს სწრაფად მოხსნის საშუალებას სახიფათო სიტუაციასში. როდესაც ხდება გაუთვალისწინებელი შემთხვევა, მამნივე მოიხსენით ღვედი მხრიდან, მიუხედავად იმისა თუ რომელ მხარზე მდებარეობს იგი.

### ტელესკოპური ელექტრული ძელის დაჭერის წესი

ტელესკოპური ელექტრული ძელი აღჭურვილია მოწინავე ორმაგი ტრიგერის

სისტემით (ნახ. J). თითოეულ ტრიგერს შეუძლია დამოუკიდებლად ჩართოს ან გაშორდეს ხელსაწყო. ეს ინოვაციური ორმაგი-კონტროლის მეთოდი გვაძლევს საშუალებას მივიღოთ ხელსაწყოს საუკეთესო ერგონომიული მუშაობის რეჟიმში ყოველდღიური ინტენსიური დატვირთვის განმავლობაში. (ნახ. K&L)

**ტელესკოპური ელექტრული ძელის ჩართვა/გაშორება**

**ტელესკოპური ელექტრული ძელის ჩასართავად**

გადაწიეთ ჩამკეტი ენაკი წინ და დააწიეთ სიჩქარის მარეგულირებელ ტრიგერს, რათა ჩართოთ ტელესკოპური ელექტრული ძელი. რაც უფრო მეტად დააწვებით სიჩქარის მარეგულირებელ ტრიგერს, მეტად სწრაფად იტრიალებს ძელზე მიმაგრებული ხელსაწყო

**გასაჩერებლად**

ხელი აუშვით სიჩქარის ტრიგერს და ჩამკეტ ენაკს.

**მოვლა**

**▲ გაფრთხილება:** ტექნიკური სერვისისას გამოიყენეთ მხოლოდ იდენტური სათადარიგო ნაწილები. გაუკეთეთ ხელსაწყოს რეგულარული შემოწმება და ინსპექტირება. ხელსაწყოს უსაფრთხოდ და გამართლად მუშაობისთვის საჭიროა მისი ყველა შეკეთება და ნაწილის შეცვლა შესრულდეს კვალიფიციური სერვისის ტექნიკოსის მიერ.

**▲ გაფრთხილება:** ხელსაწყოს შემოწმებამდე, გაწმენდამდე და სერვისამდე, გააჩერეთ მოტორი, დაელოდეთ ყველა მოძრავი ნაწილის გაჩერებას და მოხსენით აკუმულატორი. ჩამოთვლილი ინსტრუქციების უგულვებელყოფამ შესაძლოა გამოიწვიოს სერიოზული ფიზიკური ან მატერიალური ზიანი.

**▲ შენიშვნა:** ყოველი გამოყენების წინ შეამოწმეთ მთლიანი ხელსაწყო შესაძლო დაზიანებულ, დაკარგულ ან მოშვებულ ნაწილებზე, როგორცაა ხრახნები, ქანჩები, ქანჭიკები, ხუფები და ა.შ. მჭიდროდ დაუჭირეთ ყველა სამაგრი და ხუფი და არ ამუშაოთ ხელსაწყო, სანამ ყველა დაკარგული ან დაზიანებული ნაწილი არ შეიცვლება. გთხოვთ დაუკავშირდეთ მომხმარებელთა

მომხმარებლის ცენტრს ან კვალიფიციურ სერვისის ტექნიკოსს.

**ზოგადი მოვლის წესი**

მორიდეთ გამხსნელების გამოყენებას ხელსაწყოს პლასტმასის ნაწილების გაწმენდისას. პლასტმასების უმეტესობა ადვილად ზიანდება მათზე გამხსნელების გამოყენების შედეგად. გამოიყენეთ სუფთა ტილო ტალახის, მტვრის, ზეთის, ცხიმის და სხვ. მოსაცილებლად.

**ტელესკოპური ელექტრული ძელის განწმენდის წესი**

1. გააჩერეთ მოტორი და მოხსენით აკუმულატორი.
2. გაწმენდით ტელესკოპურ ელექტრულ ძელზე არსებული ქუჩკი და ნარჩენი ნოტიო ქსოვილით და რბილი საჩეხი საშუალებით.

**შენიშვნა:** არ გამოიყენოთ ძლიერი გაწმენდი საშუალებები პლასტმასის ბუდეზე ან სახელურზე. ისინი შესაძლოა დაზიანდეს ისეთი არომატოზატორებით, როგორცაა ნაძვის ან ლიმნის ზეთი.

**ტელესკოპური ელექტრული ძელის შენახვის წესი**

1. მოხსენით აკუმულატორი ტელესკოპურ ელექტრულ ძელს შენახვამდე.
2. გაწმენდით ძელი უცხო ნარჩენებისგან.
3. შეინახეთ ის ზავშვებისთვის მიუწვდომელ ადგილას.
4. მოაცილეთ კოროზიის გამოწვევი ნივთიერებები, როგორცაა სოფლის მეურნეობაში გამოყენებული ქიმიკატები და მოყინვის საწინააღმდეგო ტექნიკური მარილი.

**გარემოს დაცვა**



არ მოახდინოთ ელექტრული მოწყობილობის, დამტენის და აკუმულატორის / მისი ბატარების მოთავსება საყოფაცხოვრებო ნაგავში!



## გაუმართაობის დიაგნოსტიკა

იხილეთ შესაბამისი მისამარებელი ხელსაწყოს მომხმარებლის ინსტრუქცია.

## გარანტია

### EGO-ს გარანტიის მომსახურების წესი

გთხოვთ ეწვიოთ ვებ-გვერდს [egopowerplus.com](http://egopowerplus.com), რათა მიიღოთ EGO-ს საგარანტიო მომსახურების სრული დადგენილებები და პირობები.

## PROČITAJTE SVA UPUTSTVA!



### PROČITAJTE PRIRUČNIK ZA RUKOVAOCA

**⚠ Rezidualni rizik!** Osobe sa elektronskim uređajima, poput pejsmejkera, treba da konsultuju svog lekara (svoje lekare) pre upotrebe ovog proizvoda. Rukovanje električnom opremom u neposrednoj blizini srčanog pejsmejkera moglo bi da izazove smetnje ili otkazivanje pejsmejkera.

**⚠ UPOZORENJE:** Da bi se osigurala sigurnost i pouzdanost, sve popravke i zamene treba da radi kvalifikovani servisni tehničar.

## SIGURNOSNI SIMBOL

Svrha sigurnosnih simbola je da vam skrenu pažnju na moguće opasnosti. Sigurnosni simboli i objašnjenja uz njih zaslužuju vašu pomnu pažnju i shvatanje. Simboli upozorenja, sami po sebi, ne eliminišu nikakve opasnosti. Uputstva i upozorenja koja oni daju nisu zamena za odgovarajuće mere sprečavanja nezgoda.

**⚠ UPOZORENJE:** Obavezno pročitajte i shvatite sva sigurnosna uputstva u ovom Priručniku za rukovaoca, obuhvatajući i sve simbole sigurnosnih upozorenja poput „OPASNOST“, „UPOZORENJE“ i „OPREZ“ pre korišćenja ovog alata. Nepridržavanje svih dolenađenih uputstava može da dovede do strujnog udara, požara i/ili ozbiljne telesne povrede.

## ZNAČENJE SIMBOLA



**⚠ UPOZORENJE:** Rukovanje svakim električnim alatom može da dovede do izbacivanja stranih tela ka očima, što može da dovede do ozbiljnog oštećenja očiju. Pre započinjanja rada sa električnim alatom, uvek stavite sigurnosne naočare sa bočnim štitnicima ili po potrebi masku za celo lice. Preporučujemo sigurnosnu masku Wide Vision za upotrebu preko naočara ili standardnih sigurnosnih naočara sa bočnim štitnicima.

## SIGURNOSNA UPUTSTVA

Ova stranica prikazuje i opisuje sigurnosne simbole koji mogu da se pojave na ovom proizvodu. Pročitajte, shvatite i sledite sva uputstva na mašini pre no što pokušate da je sklopite i da rukujete njom.

	Simbol upozorenja	Označava potencijalnu opasnost od telesnih povreda.
	Pročitajte priručnik za rukovaoca	Da bi smanjio rizik od povreda, korisnik pre korišćenja ovog proizvoda mora pročitati i shvatiti priručnik za rukovaoca.
	Nosite zaštitu za oči	Uvek nosite sigurnosne naočare ili sigurnosne naočare sa bočnim štitnicima i po potrebi masku za celo lice kad rukujete ovim proizvodom.
	CE	Ovaj proizvod je u skladu sa primenljivim EC direktivama.
	WEEE	Otpadni električni proizvodi ne smeju da se odlažu sa otpadom iz domaćinstva. Odnosite ih u ovlašćeni pogon za reciklažu.
	Ne izlažite kiši	Nemojte da upotrebljavate proizvod na kiši ili nemojte da ga ostavljate na otvorenom kada pada kiša.
IPX5	IP simbol	Zaštita od prodiranja vode, stepen 5
V	Volt	Napon
mm	Milimetar	Dužina ili veličina
cm	Centimetar	Dužina ili veličina
kg	Kilogram	Masa
	Jednosmerna struja	Vrsta ili karakteristike struje

**⚠ UPOZORENJE!** Pročitajte sva sigurnosna upozorenja označena simbolom ⚠ i sva uputstva.

**Sačuvajte sva upozorenja i uputstva za buduću upotrebu.**

Pojam „električni alat“ u upozorenjima označava električni alat (sa žicom) koji se uključuje u utičnicu ili električni alat (bežični) na baterije.

SR

## **⚠ Opšta sigurnosna upozorenja za električni alat – sigurnost na radnom području.**

- Održavajte radno područje čistim i dobro osvetljenim. Na pretrpanim ili mračnim područjima su veće šanse da dođe do nezgoda.
- Ne koristite električne alate u eksplozivnim atmosferama, kao na primer u prisustvu zapaljivih tečnosti, benzina ili prašine. Električni alat stvara varnice koje mogu zapaliti prašinu ili isparenja.
- Držite decu i prolaznike podalje dok koristite električni alat. Ako vam nešto odvrati pažnju, možete izgubiti kontrolu.

## **⚠ Opšta sigurnosna upozorenja za električni alat – električna sigurnost.**

- Utikaç električnog alata mora odgovarati utičnici. Nikad ne modifikujte utikač ni na koji način. Ne koristite adapterske utikače sa uzemljenim električnim alatom. Nemodifikovani utikači i odgovarajuće utičnice će smanjiti rizik od strujnog udara.
- Izbegavajte kontakt delova tela sa uzemljenim površinama, poput cevi, radijatora, šporeta i frižidera. Postoji povećan rizik od strujnog udara ako je vaše telo uzemljeno.
- Ne izlažite električne alate kiši ili mokrim uslovima. Voda koja uđe u električni alat povećava rizik od strujnog udara.
- Nemojte zloupotrebljavati kabl. Nikada ne koristite kabl za nošenje, vučenje ili isključivanje iz utičnice električnog alata. Čuvajte kabl podalje od toplote, ulja, oštih ivica ili pokretnih delova. Oštećen ili upetljan kabl povećava rizik od strujnog udara.
- Kada koristite električni alat na otvorenom prostoru, koristite produžni kabl pogodan za korišćenje na otvorenom prostoru. Upotreba kabla pogodnog za korišćenje na otvorenom prostoru smanjuje rizik od strujnog udara.
- Ako je korišćenje električnog alata na vlažnom mestu neizbežno, koristite izvor napajanja sa zaštitnim uređajem diferencijalne struje. Korišćenje GFCI smanjuje rizik od strujnog udara.

## **⚠ Opšta sigurnosna upozorenja za električni alat – lična sigurnost.**

- Ostanite u pripravnosti, pazite šta radite i koristite zdrav razum kada koristite električni alat. Ne koristite električni alat kada ste umorni ili pod uticajem droga, alkohola ili lekova. Trenutak nepažnje kada koristite električni alat je dovoljan da izazove ozbiljne telesne povrede.

- Koristite ličnu zaštitnu opremu. Uvek nosite zaštitu za oči. Zaštitna oprema poput maske za prašinu, radnih cipela koje se ne klizu, šlema ili zaštite sluha će, kada se koristi za odgovarajuće uslove, smanjiti telesne povrede.
- Sprečite slučajno pokretanje. Osigurajte da prekidač bude u isključenom položaju pre povezivanja na izvor napajanja i/ili bateriju, podizanja ili nošenja alata. Nošenje električnih alata sa prstom na prekidaču ili uključivanje u utičnicu električnih alata čiji prekidač je u uključenom položaju priziva nezgode.
- Uklonite sve ključeve za podešavanje pre uključivanja električnog alata. Ključ koji ostane pričvršćen za rotacioni deo električnog alata može da izazove telesnu povredu.
- Ne presežite. U svakom trenutku održavajte pravilan položaj nogu i ravnotežu. To omogućava bolju kontrolu električnog alata u neočekivanim situacijama.
- Prikladno se obucite. Ne nosite labavu odeću ili nakit. Držite kosu, odeću i rukavice dalje od pokretnih delova. Labava odeća, nakit ili duga kosa mogu da se zakače pokretnim delovima.
- Ako su priloženi uređaji za povezivanje delova za izbacivanje i prikupljanje prašine, osigurajte da oni budu povezani i da se pravilno koriste. Upotreba uređaja za prašinu može da smanji opasnosti koje izaziva prašina.
- Ne dozvolite da zbog poznavanja koje ste stekli kroz čestu upotrebu alata postanete samozadovoljni i ignorirate principe bezbednosti alata. Nemarni postupak može da izazove ozbiljnu povredu u deliću sekunde.

## **⚠ Opšta sigurnosna upozorenja za električni alat – upotreba i održavanje električnog alata.**

- Ne silite električni alat. Koristite odgovarajući električni alat za ono što radite. Odgovarajući električni alat uradiće posao bolje i bezbednije onom brzinom za koju je dizajniran.
- Ne koristite električni alat ako ga prekidač ne uključuje i isključuje. Svaki električni alat koji se ne može kontrolisati prekidačem je opasan i mora se popraviti.
- Odvojite utikač iz izvora napajanja i/ili bateriju iz električnog alata pre bilo kakvog podešavanja, menjanja dodataka ili skladištenja električnog alata. Takve preventivne sigurnosne mere smanjuju rizik od nehotičnog pokretanja električnog alata.
- Skladištite isključene električne alate van domašaja dece i ne dozvolite osobama koje nisu upoznate sa ovim električnim alatom ili ovim uputstvom da rukuju električnim alatom. Električni alat je opasan u rukama nekvalifikovanih korisnika.

- **Održavajte električni alat.** Proverite pravilno poravnanje ili spojeve pokretnih delova, lomljenje delova i sva druga stanja koja mogu da utiču na rad električnog alata. Ako je oštećen, odnesite električni alat na popravku pre upotrebe. Mnoge nezgode su izazvane loše održanim električnim alatom.
- **Održavajte alate koji seku oštirim i čistim.** Pravilno održavani alati za sečenje sa oštirim ivicama za sečenje se ređe zapetljavaju i lakše se kontrolišu.
- **Koristite električni alat, dodatke, delove itd. u skladu sa ovim uputstvom, uzimajući u obzir radne uslove i rad koji treba obaviti.** Korišćenje električnog alata za rad drugačiji od predviđenog moglo bi da dovede do opasne situacije.
- **Održavajte drške i površine koje hvatate suvim, čistim i bez ulja i masnoće.** Klizave drške i površine koje hvatate ne omogućavaju bezbedno rukovanje i kontrolu alata u neočekivanim situacijama.
- Ova teleskopska pogonska šipka od 56 V PPX1000 može da se koristi samo sa sledećim EGO dodacima ili dodacima koje EGO naknadno uvede za upotrebu sa ovom teleskopskom pogonskom šipkom:

TIP DODATKA	BROJ MODELA
Dodatak trimera za živicu	PTX5100
Dodatak teleskopske testere	PSX2500

**⚠ Opšta sigurnosna upozorenja za električni alat – upotreba i održavanje alata na baterije.**

- **Punite samo punjačem koji navodi proizvođač.** Punjač koji je prikladan za jedan tip baterije može da stvori opasnost od požara kad se koristi sa nekom drugom baterijom.
- **Koristite električni alat samo sa konkretno imenovanim baterijama.** Upotreba bilo kakvih drugih baterija može da stvori rizik od povrede i požara.
- **Kad se baterija ne koristi, držite je dalje od drugih metalnih predmeta, poput spajalica, novčića, ključeva, eksera, vijaka ili drugih malih metalnih predmeta koji mogu da naprave spoj jednog terminala sa drugim.** Kratak spoj terminala baterije može da izazove opekotine ili požar.
- **U ekstremnim uslovima može doći do curenja tečnosti iz baterije; izbegavajte kontakt sa njom. Ako dođe do nehotičnog kontakta, isperite vodom. Ako tečnost dođe u kontakt sa očima, takođe potražite i medicinsku pomoć.** Tečnost iz baterije može da izazove iritaciju ili opekotine.
- **Ne koristite bateriju ili alat koji su oštećeni ili modifikovani.** Oštećene ili modifikovane baterije mogu da ispolje nepredvidivo ponašanje, dovodeći do požara, eksplozije ili rizika od povrede.

- **Ne izlažite bateriju ili alat vatri ili previsokoj temperaturi.** Izlaganje vatri ili temperaturi iznad 130 °C može izazvati eksploziju.
- **Pratite sva uputstva za punjenje i ne puniti bateriju ili alat izvan temperaturnog opsega navedenog u uputstvima.** Punjenje na nepravilan način ili na temperaturama izvan navedenog opsega može da ošteti bateriju i poveća rizik od požara.

**⚠ Opšta sigurnosna upozorenja za električni alat – servisiranje.**

- **Odnesite električni alat na servisiranje kod kvalifikovanog servisera koji će koristiti samo identične rezervne delove.** To će osigurati da bezbednost električnog alata bude održana.
- **Nikad ne servisirajte oštećene baterije.** Servisiranje baterija treba da radi samo proizvođač ili ovlašćeni servis.
- **Ako dođe do situacija koje nisu obrađene u ovom priručniku, primenjujte oprez i zdravo rasuđivanje.** Obratite se EGO servisnom centru za pomoć.

**SAČUVAJTE OVO UPUTSTVO.**

**DODATNA SPECIFIČNA SIGURNOSNA PRAVILA MOGU SE NAĆI U PRIRUČNIKU ZA RUKOVAOCA ZA ODGOVARAJUĆI DODATAK**

**SPECIFIKACIJE**

Napon	56 V
Preporučena radna temperatura:	0°C-40°C
Preporučena temperatura skladištenja	Od -20 °C do 70 °C
Masa	3,9kg

**OPIS**

**UPOZNAJTE SVOJU TELESKOPSKU POGONSKU ŠIPKU (slika A)**

1. Zadnja drška
2. Jezičak za zaključavanje
3. Rupica za nošenje
4. Prednja drška
5. Dugme za zatezanje
6. Dugme za otpuštanje vratila
7. Dugme za zaključavanje
8. Spojnica
9. Teleskopska cev
10. Okidač varijabilne brzine
11. Potpora za alat

12. Remen za rame
13. vMehanizam za izbacivanje
14. Bravica
15. Dugme za oslobađanje baterije
16. Držač ključa
17. Kombinovani ključ

## POPIS PAKOVANJA (SLIKA A)

### SASTAVLJANJE

**⚠ UPOZORENJE!** Ako su neki delovi oštećeni ili nedostaju, nemojte koristiti ovaj proizvod dok delovi ne budu zamenjeni. Korišćenje ovog proizvoda sa oštećenim ili nedostajućim delovima može dovesti do ozbiljnih telesnih povreda.

**⚠ UPOZORENJE!** Kad sklapate delove, obavljate radove podešavanja, čišćenja ili kada ne upotrebljavate proizvod, iz proizvoda uvek izvadite bateriju.

### POSTAVLJANJE DODATKA NA TELESKOPSKU POGONSKU ŠIPKU

**⚠ UPOZORENJE!** Pročitajte i shvatite ceo Priručnik za rukovaoca za svaki opcioni dodatak koji se koristi na ovoj teleskopskoj pogonskoj šipki i poštujujte sva upozorenja i uputstva. Nepridržavanje svih uputstava moglo bi da dovede do strujnog udara, požara i/ili ozbiljne telesne povrede.

**⚠ UPOZORENJE!** Ova teleskopska pogonska šipka od 56 V PPX1000 je dizajnirana da se koristi samo sa modelima EGO dodataka koji su navedeni u ovom Priručniku za rukovaoca ili koje EGO naknadno uvede za upotrebu sa ovom teleskopskom pogonskom šipkom. Upotreba drugih, neovlašćenih dodataka mogla bi da izazove ozbiljne telesne povrede ili imovinsku štetu.

**⚠ UPOZORENJE!** Nikad ne instalirajte, uklanjajte niti podešavajte nijedan dodatak dok teleskopska pogonska šipka radi ili dok je baterija instalirana. Ako ne zaustavite motor i ne izvadite bateriju, to može da izazove ozbiljne telesne povrede.

Dodatak se povezuje na teleskopsku pogonsku šipku putem spojnog uređaja.

1. Zaustavite motor i izvadite bateriju.
2. Olabavite dugme za zaključavanje.
3. Poravnajte strelicu na vratilo dodatka sa indikatorom za poravnanje na spojnici pa gurnite vratilo dodatka u spojnicu dok ne čujete jasan zvuk „klik“; spojnica treba da bude postavljena sasvim do referentne linije na vratilo tako da vratilo dodatka bude pravilno montirano na svoje mesto. (slika B).

B-1	Dugme za otpuštanje vratila	B-4	referentna linija
B-2	Indikator za poravnanje	B-5	Dugme za zaključavanje
B-3	Oznaka strelice		

4. Povucite vratilo dodatka da biste proverili da li je čvrsto zaključano u spojnici. Ako nije, gurnite vratilo dodatka u spojnicu dok ne škljocne na svoje mesto.
5. Čvrsto zategnite dugme za zaključavanje.

**⚠ UPOZORENJE!** Vodite računa da dugme za zaključavanje bude sasvim zategnuto pre rukovanja opremom; periodično proveravajte njegovu zategnutost tokom upotrebe da biste izbegli ozbiljne telesne povrede.

### UKLANJANJE DODATKA SA TELESKOPSKE POGONSKOJ ŠIPKI

1. Zaustavite motor i izvadite bateriju.
2. Olabavite dugme za zaključavanje.
3. Pritisnite dugme za otpuštanje vratila i, dok je dugme pritisnuto, izvucite vratilo dodatka iz spojnice.

### MONTIRANJE REMENA ZA RAME (slika C)

Pritisnite kucicu remena da biste je otvorili i pričvrstite je na rupicu za nošenje.

### PRODUŽAVANJE TELESKOPSKOJ CEVI

Alat je opremljen teleskopskom cevi koja se produžuje do 960 mm (potpuno izvučena).

Dugme za zatezanje se koristi da drži teleskopsku cev na svom mestu pri bilo kojoj izvučenoj dužini.

1. Da biste produžili teleskopsku cev, olabavite dugme za zatezanje prateći njegovu ikonice za otključavanje. Teleskopska cev će se slobodno klizati (slika D)

D-1	Dugme za zatezanje	D-2	Indikacija maksimalnog ograničenja
-----	--------------------	-----	------------------------------------

2. Izvucite teleskopsku cev do željene dužine produženja.
3. Da zaključate teleskopsku cev u tom položaju, zategnite dugme za zatezanje prateći njegovu ikonice za zaključavanje.

**⚠ UPOZORENJE!** Da ne biste oštetili šaku ili prste, budite oprezni i pažljivi pri svakom koraku

### RUKOVANJE

**⚠ UPOZORENJE!** Nemojte dozvoliti da vas poznavanje ovog proizvoda učini nemarnim. Imajte na umu da je za nanošenje teških povreda dovoljan samo delić sekunde nepažnje.



**⚠ UPOZORENJE!** Uvek nosite zaštitu za oči. Nepostupanje u skladu sa tim može da rezultira odbacivanjem predmeta u oči i drugim mogućim teškim povredama.

**⚠ UPOZORENJE!** Ne koristite nikakve dodatke ili pribor koje nije preporučio proizvođač ovog proizvoda. Upotreba nepreporučenih dodataka ili pribora može da rezultira teškim telesnim povredama.

## INSTALIRANJE/VAĐENJE BATERIJE

**NAPOMENA:** Potpuno napunite bateriju pre prve upotrebe.

### Za instalaciju

Poravnajte rebra baterije sa prorezima za montiranje i pritisnite bateriju nadole dok ne čujete „klik“ (slika E).

E-1	Prorez za montiranje	E-2	Rebro
-----	----------------------	-----	-------

### Za uklanjanje

Pritisnite dugme za otključavanje baterije i izvucite bateriju (slika F).

**⚠ UPOZORENJE!** Da biste izbegli ozbiljne telesne povrede, uvek izvadite bateriju i držite ruke dalje od jezička za zaključavanje i okidača kad nosite ili transportujete alat.

## REMEN ZA RAME

Za bezbedan i bolji rad, stavite remen za rame preko ramena kao na slici G da biste smanjili težinu na rukama rukovaoca. Podesite remen za rame u udoban radni položaj.

Postoje dva načina za otkopčavanje remena. Skinite ga sa ramena direktno (slika H) ili pritisnite kucicu remena i odvojite je od rupice za nošenje pričvršćene na vratilo (slika I).

**⚠ UPOZORENJE!** Remen za rame je takođe i mehanizam za brzo oslobađanje u opasnim situacijama. Kada se desi hitan slučaj, odmah skinite uređaj sa ramena, bez obzira kako je remen namešten.

## DRŽANJE TELESKOPSKE POGONSKE ŠIPKE

Teleskopska pogonska šipka je opremljena naprednim dvostrukim sistemom okidača (slika J). Svaki sistem okidača može nezavisno da uključi ili isključi alat. Taj inovativni metod dvostruke kontrole daje najviše ergonomije u radu na svakodnevnim teškim zadacima. (slika K i L)

## POKRETANJE/ZAUSTAVLJANJE TELESKOPSKE POGONSKE ŠIPKE

### Za pokretanje teleskopske pogonske šipke

Pomerite jezičak za zaključavanje unapred i pritisnite okidač varijabilne brzine da biste uključili teleskopsku pogonsku šipku. Što se više pritiska primenjuje na okidač varijabilne brzine, to će veća biti brzina glave dodatka

### Za zaustavljanje

Pustite okidač varijabilne brzine i jezičak za zaključavanje.

## ODRŽAVANJE

**⚠ UPOZORENJE!** Kada obavljate radove servisiranja, upotrebljavajte samo identične zamenske delove. Redovno obavljajte pregled i održavanje uređaja. Radi bezbednosti i pouzdanosti, sve popravke treba da obavlja kvalifikovani servisni tehničar.

**⚠ UPOZORENJE!** Pre pregleda, čišćenja ili servisiranja jedinice, zaustavite motor, sačekajte da se svi pokretni delovi zaustave i izvadite komplet baterija. Zanemarivanje ovih uputstava može da rezultira teškim povredama ili materijalnom štetom.

**⚠ NAPOMENA!** Pre svake upotrebe pregledajte celí proizvod na postojanje oštećenih, nedostajućih ili otpuštenih delova, kao što su zavrtnjevi, navrtke, osovinice, kapice, itd. Čvrsto pritegnite sve pričvršne elemente i kapice i nemojte da upotrebljavate ovaj proizvod dok ne postavite sve delove koji nedostaju ili dok ne zamenite sve oštećene delove. Obratite se korisničkoj službi ili kvalifikovanom servisnom tehničaru.

## OPŠTE ODRŽAVANJE

Kada čistite plastične delove, izbegavajte upotrebu rastvora. Većina plastika može se oštetiti različitim vrstama komercijalnih rastvora i njihovom upotrebom. Za uklanjanje prljavštine, prašine, ulja, masti i sl. upotrebljavajte čiste krpe.

## ČIŠĆENJE TELESKOPSKE POGONSKE ŠIPKE

1. Zaustavite motor i izvadite bateriju.
2. Očistite zemlju i prljavštinu sa teleskopske pogonske šipke vlažnom krpom i blagim deterdžentom.

**NAPOMENA!** Ne koristite jake deterdžente na plastičnom kućištu i drški. Mogu ih oštetiti određena aromatična ulja, poput bora i limuna.

## SKLADIŠTENJE TELESKOPSKE POGONSKE ŠIPKE

1. Izvadite bateriju iz teleskopske pogonske šipke pre skladištenja.
2. Očistite sav strani materijal sa teleskopske pogonske šipke.
3. Dodatak trimera za živicu skladištite na mestu koje je nedostupno deci.

4. Držite dalje od korozivnih sredstava poput baštenskih hemikalija i soli za odmrzavanje.

### Zaštita životne sredine



Električnu opremu, punjač baterije i baterije/punjive baterije nemojte da odlažete u kućni otpad!

## REŠAVANJE PROBLEMA

Pogledajte priručnik za rukovaoca za odgovarajući dodatak.

## GARANCIJA

### EGO POLITIKA GARANCIJE

Posetite veb-lokaciju [egopowerplus.com](http://egopowerplus.com) za potpune uslove i odredbe EGO politike garancije.

## PROČITAJTE UPUTSTVO U CIJELOSTI!



**PROČITAJTE KORISNIČKI PRIRUČNIK.**

**⚠ Preostale opasnosti!** Osobe s elektroničkim uređajima poput srčanih elektrostimulatora prije upotrebe ovog proizvoda trebaju se posavjetovati sa svojim ljekarom. Rad električne opreme u neposrednoj blizini srčanih elektrostimulatora može uzrokovati smetnju ili kvar srčanog elektrostimulatora.

**⚠ UPOZORENJE!** Radi osiguranja sigurnosti i pouzdanosti, sve popravke i zamjene treba obavljati kvalifikovani servisni tehničar.

## SIGURNOSNI SIMBOL

Svrha sigurnosnih simbola je skretanje pažnje na moguće opasnosti. Sigurnosni simboli i njihova objašnjenja zahtijevaju vašu potpunu pažnju i razumijevanje. Sami simboli upozorenja sami po sebi ne isključuju opasnost. Uputstva i upozorenja koja pružaju nisu zamjena za propisne mjere za prevenciju nesreća.

**⚠ UPOZORENJE!** Prije upotrebe ovog alata pobrinite se da sva sigurnosna uputstva u ovom korisničkom priručniku, uključujući sve sigurnosne simbole kao što su “OPASNOST”, “UPOZORENJE” i “OPREZ” pročitate s razumijevanjem. Zanemarivanje svih uputstava navedenih u nastavku može rezultirati strujnim udarom, požarom i/ili teškim tjelesnim povredama.

## ZNAČENJE SIMBOLA



**⚠ UPOZORENJE!** Rukovanje električnim alatima može rezultirati odbacivanjem stranih predmeta u oči, što opet može izazvati teška oštećenja očiju. Prije početka rukovanja električnim alatom, uvijek nosite zatvorene zaštitne naočale ili zaštitne naočale s bočnim štitnicima, a prema potrebi i štitnik za cijelo lice. Preporučujemo nošenje sigurnosne maske proizvođača Wide Vision preko naočala, ili nošenje standardnih zaštitnih naočala s bočnim štitnicima.

## SIGURNOSNA UPUTSTVA

Na ovoj stranici slikovno su prikazani i objašnjeni sigurnosni simboli koji se mogu pojaviti na ovom proizvodu. Prije pokušaja sastavljanja i rukovanja, s razumijevanjem pročitajte sva uputstva na proizvodu i pridržavajte ih se.

	Simbol upozorenja	Ukazuje na potencijalnu opasnost od tjelesnih povreda.
	Pročitajte korisnički priručnik.	Radi smanjenja opasnosti od povreda, prije upotrebe ovog proizvoda korisnik treba s razumijevanjem pročitati ovaj korisnički priručnik.
	Nosite zaštitu za oči.	Kada upotrebljavate ovaj proizvod, uvijek nosite zatvorene zaštitne naočale ili zaštitne naočale s bočnim štitnicima i štitnik za cijelo lice.
	Oznaka CE	Ovaj proizvod je u skladu s primjenjivim Direktivama EU.
	WEEE	Otpadni električni proizvodi ne smiju se odlagati s otpadom iz domaćinstva. Odnosite ih u ovlašteni centar za reciklažu.
	Ne izlažite uređaj kiši.	Proizvod nemojte upotrebljavati na kiši ili nemojte ga ostavljati na otvorenom kada pada kiša.
IPX5	IP simbol	Zaštita od prodiranja vode, stepen 5
V	Volt	Napon
mm	Milimetar	Dužina ili dimenzija
cm	Centimetar	Dužina ili dimenzija
kg	Kilogram	Masa
	Istosmjerna struja	Vrsta ili karakteristike struje

**⚠ UPOZORENJE!** Pročitajte sva sigurnosna upozorenja označena simbolom i sva uputstva.

**Sačuvajte sva upozorenja i uputstva za buduće potrebe.**

Pojam “električni alat” u upozorenjima odnosi se na vaš električni alat na strujni pogon (s kablom) ili električni alat na baterijski pogon (bez kabela).

## **⚠ Opća sigurnosna upozorenja za električne alate – sigurnost radnog područja.**

- Radno područje održavajte čistim i dobro osvjetljenim. Pretrpana ili mračna područja izazivaju nesreće.
- Električni alat nemojte upotrebljavati u eksplozivnim atmosferama, kao na primjer u prisutnosti zapaljivih tekućina, benzina ili prašine. Električni alat stvara iskre koje mogu zapaliti prašinu ili isparenja.
- Djecu i druge prisutne osobe držite podalje tokom rada s električnim alatom. Ometanja mogu rezultirati gubitkom kontrole nad alatom.

## **⚠ Opća sigurnosna upozorenja za električne alate - električna sigurnost.**

- Utikači električnog alata moraju odgovarati utičnici. Nemojte modifikovati utikač ni na koji način. Nemojte upotrebljavati utikače adaptera s uzemljenim električnim alatima. Nemodifikovani utikači i odgovarajuće utičnice umanjit će rizik od strujnog udara.
- Izbjegavajte kontakt tijela s uzemljenim površinama, kao što su slavine, radijatori, peći i frižideri. Postoji povećan rizik od strujnog udara ako je vaše tijelo uzemljeno.
- Električni alat nemojte izlagati kiši ili mokrim uslovima. Prodiranje vode u električni alat povećat će rizik od strujnog udara.
- Nemojte nepropisno upotrebljavati kabel. Kabel nemojte nikada upotrebljavati za nošenje, povlačenje ili isključivanje električnog alata iz strujnog napajanja. Kabel držite podalje od topline, ulja, oštih rubova ili pokretnih dijelova. Oštećeni ili isprepleteni kabeli povećavaju rizik od strujnog udara.
- Kada električnim alatom radite na otvorenom, upotrebljavajte produžni kabel prikladan za upotrebu na otvorenom. Upotreba kabela prikladnog za upotrebu na otvorenom smanjuje rizik od strujnog udara.
- Ako je rad s električnim alatom u vlažnom području neizbježan, upotrebljavajte napajanje sa zaštitnim uređajem diferencijalne struje. Upotrebom zaštitnog uređaja diferencijalne struje smanjuje se rizik od strujnog udara.

## **⚠ Opća sigurnosna upozorenja za električne alate – lična sigurnost.**

- Budite oprezni, gledajte šta radite i koristite se uobičajenim osjećajem kada radite s električnim alatom. Nemojte upotrebljavati električni alat kada ste umorni ili pod uticajem opojnih sredstava,

alkohola ili lijekova. Trenutak nepažnje tokom rada s električnim alatima može rezultirati teškim tjelesnim povredama.

- Upotrebljavajte ličnu zaštitnu opremu. Uvijek nosite zaštitu za oči. Zaštitna oprema poput maske za zaštitu od prašine, neklizajuće sigurnosne obuće, kacige ili zaštitne za sluh upotrijebljena za odgovarajuće uslove smanjit će tjelesne povrede.
  - Spriječite nenamjerno pokretanje. Prije spajanja na izvor napajanja i/ili komplet baterija, uzimanja ili nošenja alata uvjerite se da se prekidač nalazi u isključenom položaju. Nošenje električnih alata s prstom na prekidaču ili napajanje električnih alata koji imaju uključen prekidač izaziva nesreće.
  - Prije uključivanja električnog alata uklonite sve ključeve za podešavanje ili ključeve. Ključ ili ključ za podešavanje ostavljen pričvršćen na rotacijski dio električnog alata može rezultirati tjelesnim povredama.
  - Nemojte se previše naginjati prema naprijed. Cijelo vrijeme održavajte propisno držanje i ravnotežu. To će omogućiti bolju kontrolu nad električnim alatom u neočekivanim situacijama.
  - Obucite se prikladno. Nemojte nositi široku odjeću ili nakit. Kosu, odjeću i rukavice uvijek držite podalje od dijelova koji se kreću. Dijelovi koji se kreću mogu zahvatiti široku odjeću, nakit ili dugu kosu.
  - Ako su uređaji namijenjeni za spajanje sistema za izvlačenje i sakupljanje prašine, pobrinite se da se propisno spoje i upotrebljavaju. Upotrebom uređaja za sakupljanje prašine mogu se smanjiti opasnosti koje se odnose na prašinu.
  - Nemojte dozvoliti da vas poznavanje alata stečeno čestom upotrebom učini samodopadnim pa da ignorišete sigurnosne principe za alat. Nemarne radnje u djeliću sekunde mogu rezultirati teškim povredama.
- ## **⚠ Opća sigurnosna upozorenja za električne alate – upotreba i njega električnih alata.**
- Nemojte preopterećavati električni alat. Upotrebljavajte ispravan električni alat za svoju primjenu. Ispravan električni alat bolje će i sigurnije odraditi posao pri brzini za koju je predviđen.
  - Nemojte upotrebljavati električni alat ako ga prekidač ne uključuje i isključuje. Svaki električni alat koji se ne može kontrolisati prekidačem opasan je i potrebno ga je popraviti.
  - Prije obavljanja podešavanja, zamjene dodatne opreme ili skladištenja električnih alata isključite utikač iz izvora napajanja i/ili komplet baterija iz električnog alata. Takve preventivne sigurnosne mjere smanjuju rizik od iznenadnog pokretanja električnog alata.

- **Nekorišteni električni alat skladištite izvan dohvata djece i nemojte dozvoliti da osobe koje ne poznaju električni alat ili ova uputstva rade s električnim alatom.** Električni alati opasni su u rukama neobučениh korisnika.
- **Održavajte električne alate.** Provjerite jesu li pokretni dijelovi centrirani ili spojeni, ima li polomljenih dijelova i postoji li stanje koje može uticati na rad električnog alata. **Ako je oštećen, električni alat dajte na popravak prije upotrebe.** Loše održavani električni alati uzrok su mnogih nesreća.
- **Rezne alate održavajte oštirima i čistima.** Propisno održavani rezni alati s oštrim reznim rubovima vjerovatno se neće spajati i lakši su za upravljanje.
- **Električni alat, dodatnu opremu i alatne nastavke, itd., upotrebljavajte u skladu s ovim uputstvima, uzimajući u obzir radne uslove i posao koji je potrebno obaviti.** Upotreba električnog alata za radove drukčija od namjenske može rezultirati opasnim situacijama.
- **Rukohvate i površine rukohvata održavajte suhim, čistim i očišćenim od ulja i masti.** Skliski rukohvati i skliske površine rukohvata onemogućuju sigurno rukovanje i upravljanje alatom u neočekivanim situacijama.
- **Ova teleskopska pogonska šipka PPX1000 od 56 V može se upotrebljavati samo sa sljedećim priključcima proizvođača EGO ili priključcima koje je naknadno uveo proizvođač EGO za upotrebu s ovom teleskopskom pogonskom šipkom:**

VRSTA PRIKLJUČKA	BROJ MODELA
Priključak makaza za živicu	PTX5100
Priključak štapne žage	PSX2500

**⚠ Opća sigurnosna upozorenja za električne alate – upotreba i njega alata na baterijski pogon.**

- **Punjenje obavljajte samo s punjačem kojeg je naveo proizvođač.** Punjač koji je prikladan za jedan tip kompleta baterija može stvoriti rizik od požara ako ga se upotrebljava s drugim kompletom baterija.
- **Električni alat upotrebljavajte samo s izričito navedenim kompletima baterija.** Upotreba drugih kompleta baterija može stvoriti rizik od povreda i požara.
- **Kada se komplet baterija ne upotrebljava, držite ga podalje od drugih metalnih predmeta poput spajalica za papir, kovanica, ključeva, eksera, vijaka ili drugih malih metalnih predmeta koji mogu međusobno spojiti kontakte.** Kratko spajanje baterijskih kontakata može uzrokovati opekotine ili požar.

- **U slučaju pogrešne upotrebe, baterija može izbaciti tekućinu; izbjegavajte kontakt.** Ako slučajno dođe do kontakta, odnosno mjesta isperite vodom. Ako tekućina dođe u kontakt s očima, dodatno potražite pomoć ljekara. Tekućina koju izbacila baterija može uzrokovati nadražaj kože ili opekotine.
- **Nemojte upotrebljavati oštećeni ili modifikovan komplet baterija ili alat.** Oštećene ili modifikovane baterije mogu pokazati nepredvidivo ponašanje koje može rezultirati požarom, eksplozijom ili opasnošću od povreda.
- **Komplet baterija ili alat nemojte izlagati vatri ili previsokoj temperaturi.** Izlaganje vatri ili temperaturi višoj od 130 °C može uzrokovati eksploziju.
- **Pridržavajte se svih uputstava za punjenje i komplet baterija ili alat nemojte puniti izvan okvira opsega temperature navedenog u uputstvima.** Nepropisno punjenje ili punjenje pri temperaturama izvan okvira određenog opsega može oštetiti bateriju i povećati opasnost od požara.

**⚠ Opća sigurnosna upozorenja za električne alate – servisiranje.**

- **Servisiranje električnog alata prepustite kvalifikovanom osoblju za popravak koje upotrebljava samo identične zamjenske dijelove.** Time će se osigurati održavanje sigurnosti električnog alata.
- **Nemojte nikada servisirati oštećene komplete baterija.** Servisiranje kompleta baterija smiju obavljati samo proizvođač ili ovlašteni serviseri.
- **Ako se pojave situacije koje nisu obuhvaćene ovim priručnikom, postupite oprezno i uz dobru procjenu.** Za pomoć se obratite servisnom centru proizvođača EGO.

**SAČUVAJTE OVA UPUTSTVA!**

**DODATNE POSEBNE SIGURNOSNE PROPISE MOŽETE PRONAĆI U KORISNIČKOM PRIRUČNIKU PRIKLJUČKA KOJI UPOTREBLJAVATE.**

**TEHNIČKI PODACI**

Napon	56 V ---
Preporučena radna temperatura:	0°C-40°C
Preporučena temperatura skladištenja	-20°C-70°C
Masa	3,9 kg

## OPIS

### UPOZNAJTE SVOJU TELESKOPSKU POGONSKU ŠIPKU (sl. A)

1. Stražnji rukohvat
2. Jezičak za blokadu
3. Ušica za nošenje
4. Prednji rukohvat
5. Stezno okretno dugme
6. Dugme za otpuštanje osovine
7. Okretno dugme za završavanje
8. Spojka
9. Teleskopska cijev
10. Okidač za varijabilnu brzinu
11. Držač alata
12. Ramena traka
13. Mehanizam za izbacivanje
14. Bravica
15. Dugme za oslobađanje baterije
16. Držač ključa
17. Kombinovani ključ

### SADRŽAJ PAKOVANJA (SL. A)

### SASTAVLJANJE

**⚠ UPOZORENJE!** Ako je bilo koji dio oštećen ili ako nedostaje, nemojte upotrebljavati ovaj proizvod dok ne zamijenite dijelove. Upotreba ovog proizvoda oštećenih dijelova ili dijelova koji nedostaju može rezultirati teškim tjelesnim povredama.

**⚠ UPOZORENJE!** Kada postavljate dijelove, obavljate radove podešavanja, čišćenja ili kada ne upotrebljavate proizvod, komplet baterija uvijek izvadite iz proizvoda.

### POSTAVLJANJE PRIKLJUČKA NA TELESKOPSKU POGONSKU ŠIPKU

**⚠ UPOZORENJE!** S razumijevanjem pročitajte cijeli korisnički priručnik za svaki opcionalni priključak koji se upotrebljava na ovoj teleskopskoj pogonskoj šipki i obratite pažnju na sva upozorenja i uputstva. Zanemarivanje svih uputstava može rezultirati teškim tjelesnim povredama, požarom i/ili teškim tjelesnim povredama.

**⚠ UPOZORENJE!** Ova teleskopska pogonska šipka PPX1000 od 56 V predviđena je samo za upotrebu s modelima priključaka proizvođača EGO koji su navedeni u ovom korisničkom priručniku ili koje je proizvođač EGO naknadno uveo za upotrebu s ovom teleskopskom pogonskom šipkom. Upotreba drugih, neodobrenih priključaka može rezultirati teškim tjelesnim povredama ili materijalnim štetama.

**⚠ UPOZORENJE!** Priključak nemojte nikada postavljati, skidati ili podešavati dok teleskopska pogonska šipka radi ili kada je baterija postavljena. Zanemarivanje zaustavljanja motora i vađenja baterije može rezultirati teškim tjelesnim povredama.

Priključak se na teleskopsku pogonsku šipku priključuje pomoću spojke.

1. Zaustavite motor i izvadite komplet baterija.
2. Otpustite okretno dugme za završavanje.
3. Poravnajte strelicu na osovini priključka s indikatorom za poravnanje na spojki i osovini priključka gurajte u spojku dok ne začujete zvuk klikanja. Spojka cijelo vrijeme treba biti pozicionirana prema referentnoj liniji na osovini koja ukazuje da je osovina priključka propisno postavljena u ležište. (sl. B).

B-1	Dugme za otpuštanje osovine	B-4	Referentna linija
B-2	Indikator za poravnanje	B-5	Okretno dugme za završavanje
B-3	Strelica		

4. Povucite osovnu priključka kako biste potvrdili da je dobro ulegla u spojku. Ako to nije slučaj, osovnu priključka gurnite u spojku tako da ulegne u ležište.
5. Dobro pritegnite okretno dugme za završavanje.

**⚠ UPOZORENJE!** Prije rukovanja opremom uvjerite se da je okretno dugme za završavanje potpuno pritegnuto; tokom upotrebe povremeno provjeravajte pritegnutost radi izbjegavanja teških tjelesnih povreda.

### SKIDANJE PRIKLJUČKA S TELESKOPSKE POGONSKU ŠIPKE

1. Zaustavite motor i izvadite komplet baterija.
2. Otpustite okretno dugme za završavanje.
3. Pritisnite dugme za otpuštanje osovine i držeći ga pritisnutim povlačenjem izvucite osovnu priključka iz spojke.

### POSTAVLJANJE RAMENE TRAKE (sl. C)

Pritisnite kucicu za postavljanje ramene trake, otvorite je i pričvrstite na ušicu za nošenje.

### PRODUŽNA TELESKOPSKA CIJEV

Alat je opremljen teleskopskom cijevi koja se može produžiti na 960 mm (potpuno izvučena).

Za održavanje teleskopske cijevi u položaju pri svakoj produženoj dužini upotrebljava se stezno okretno dugme.

1. Za izvlačenje teleskopske cijevi otpustite stezno okretno dugme prema ikoni za odbravljanje. Teleskopska cijev klizit će slobodno (sl. D).

D-1	Stežno okretno dugme	D-2	Oznaka maksimalnog ograničenja
-----	----------------------	-----	--------------------------------

- Izvucite teleskopsku cijev do željene dužine.
- Za zabravljivanje teleskopske cijevi u položaju pritegnite okretno dugme prema ikoni za zabravljivanje.

**⚠ UPOZORENJE!** Kako biste izbjegli priklještenje ruke ili prstiju, budite pažljivi pri obavljanju svakog koraka.

## RAD

**⚠ UPOZORENJE!** Nemojte dozvoliti da vas poznavanje ovog proizvoda učini nepažljivim. Imajte na umu da je za nanošenje teških povreda dovoljan samo djelić sekunde nepažnje.

**⚠ UPOZORENJE!** Uvijek nosite zaštitu za oči. Nepostupanje u skladu s tim može rezultirati odbacivanjem predmeta u oči i drugim mogućim teškim povredama.

**⚠ UPOZORENJE!** Nemojte upotrebljavati priključke ili pribor koje nije preporučio proizvođač ovog proizvoda. Upotreba nepreporučenih priključaka ili pribora može rezultirati teškim tjelesnim povredama.

## POSTAVLJANJE/SKIDANJE KOMPLETA BATERIJA

**NAPOMENA!** Komplet baterija potpuno napunite prije prve upotrebe.

### Postavljanje

Poravnajte kontakte baterije s montažnim utorima i pritišćite komplet baterija prema dolje dok ne začujete zvuk klikanja (sl. E).

E-1	Montažni utor	E-2	Kontakt
-----	---------------	-----	---------

### Skidanje

Pritisnite dugme za otpuštanje baterije i izvucite komplet baterija (sl. F).

**⚠ UPOZORENJE!** Radi izbjegavanja teških tjelesnih povreda, pri nošenju ili transportu alata uvijek izvadite komplet baterija i ruke držite podalje od jezička za blokadu i okidača.

### RAMENA TRAKA

Radi sigurnog i boljeg rada stavite ramenu traku preko ramena kako je prikazano na sl. G da rasteretite ruke. Podesite ramenu traku u položaj ugodan za rad.

Postoje dva načina za otpuštanje trake. Direktno je skinite s ramena (sl. H) ili pritisnite kucicu trake i odvojite je od ušice za nošenje pričvršćene na osovini (sl. I).

**⚠ UPOZORENJE!** Ramena traka je i mehanizam za brzo otpuštanje u opasnim situacijama. U slučaju nužde ramenu traku odmah skinite s ramena, bez obzira na način na koji je stavljena.

## DRŽANJE TELESKOPSKE POGONSKE ŠIPKE

Teleskopska pogonska šipka opremljena je naprednim dvostrukim sistemom okidanja (sl. J). Svaki sistem okidanja nezavisno može uključiti ili isključiti alat. Ova inovativna metoda dvostruke kontrole pruža najergonomičniji rad pri svakodnevnom teškom radu. (sl. K i L)

## POKRETANJE/ZAUSTAVLJANJE TELESKOPSKE POGONSKE ŠIPKE

### Pokretanje teleskopske pogonske šipke

Za uključivanje teleskopske pogonske šipke pomaknite jezičak za blokadu prema naprijed i pritisnite okidač za varijabilnu brzinu. Većim pritiskom na okidač za varijabilnu brzinu povećava se brzina priključka.

### Zaustavljanje

Otpustite okidač za varijabilnu brzinu i jezičak za blokadu.

## ODRŽAVANJE

**⚠ UPOZORENJE!** Kada obavljate radove servisiranja, upotrebljavajte samo identične zamjenske dijelove. Redovno obavljajte pregled i održavanje uređaja. Radi osiguranja sigurnosti i pouzdanosti, sve popravke treba obavljati kvalifikovani servisni tehničar.

**⚠ UPOZORENJE!** Prije pregleda, čišćenja ili servisiranja jedinice, zaustavite motor, pričekajte da se svi pokretni dijelovi zaustave i izvadite komplet baterija. Nepostupanje prema ovim uputstvima može rezultirati teškim povredama ili materijalnom štetom.

**⚠ NAPOMENA!** Prije svake upotrebe pregledajte cijeli proizvod na postojanje oštećenih, nedostajućih ili otpuštenih dijelova, kao što su vijci, matice, osovine, kapice, itd. Dobro pritegnite sve pričvršne elemente i kapice i nemojte upotrebljavati ovaj proizvod dok ne postavite sve dijelove koji nedostaju ili zamijenite sve oštećene dijelove. Obratite se korisničkoj službi ili kvalifikovanom servisnom tehničaru.

## OSNOVNO ODRŽAVANJE

Kada čistite plastične dijelove, izbjegavajte upotrebljavati rastvore. Mnoge plastike mogu se oštetiti različitim vrstama komercijalnih rastvora i mogu se oštetiti njihovom upotrebom. Za uklanjanje prljavštine, prašine, ulja, masti i sl. upotrebljavajte čiste krpe.

## ČIŠĆENJE TELESKOPSKE POGONSKE ŠIPKE

1. Zaustavite motor i izvadite komplet baterija.
2. Nečistoću i naslage na teleskopskoj pogonskoj šipki čistite vlažnom krpom i blagim deterdžentom.

**NAPOMENA!** Za čišćenje plastičnog kućišta ili rukohvata nemojte upotrebljavati jake deterdžente jer mogu ih oštetiti neka aromatična ulja, kao što su borovo i limunovo ulje.

## SKLADIŠTENJE TELESKOPSKE POGONSKE ŠIPKE

1. Prije skladištenja izvadite komplet baterija iz teleskopske pogonske šipke.
2. S teleskopske pogonske šipke očistite sav strani materijal.
3. Teleskopsku pogonsku šipku skladištite na mjestu nedostupnom djeci.
4. Teleskopsku pogonsku šipku držite podalje od korozivnih sredstava kao što su vrtna hemijska sredstva i soli za odmrzavanje.

## Zaštita životne sredine



Električnu opremu, punjač baterije i baterije/punjive baterije ne odlažite u kućni otpad!

## OTKLANJANJE PROBLEMA

Pogledajte korisnički priručnik priključka koji upotrebljavate.

## GARANCIJA

### POLITIKA GARANCIJE PROIZVOĐAČA EGO

Za sve odredbe i uslove politike garancije proizvođača EGO posjetite internetsku stranicu [egopowerplus.com](http://egopowerplus.com).



## קראו את כל ההוראות!

קראו את מדריך ההוראות



**⚠ סיכון שיראי!** אנשים בעלי מכשירים חשמליים כגון קוצבי לב, צריכים להתייעץ עם הרופא(ים) המטפל(ים) בהם לפני השימוש במכשיר זה. הפעלה של ציוד חשמלי בקרבת קוצבי לב עלולה להפריע לפעולת הקוצב או אפילו להפסיק את פעולתו.

**⚠ אזהרה:** על מנת להבטיח בטיחות ואמינות, יש לבצע את כל התיקונים וההחלפות בעזרת טכנאי שירות מוסמך.

## סמל בטיחות

מטרתם של סימני הבטיחות היא למשוך את תשומת לבכם אל סכנות אפשריות. סימני הבטיחות וההסברים שלהם דורשים את תשומת הלב וההבנה המלאות שלכם. סימני הבטיחות בעצמם לא ימנעו כל סכנה. ההוראות והאזהרות אותן הם מספקים לא תחלפנה נקיטת אמצעי מניעה מתאימים בעת תאונה.

**⚠ אזהרה:** וודאו שאתם קוראים ומבינים את כל ההוראות הבטיחות המופיעות במדריך זה למשתמש, כולל את כל סימני התרעות הבטיחות כגון „**סכנה**“, „**אזהרה**“ ו-**”זהירות**“ לפני השימוש במכשיר זה. אי מילוי אחר כל ההוראות המופיעות למטה יכול לגרום אחריו שוק חשמלי, שרפה ו/או פציעות חמורות.

## פירוש הסימן

**⚠ אזהרה:** הפעלה של כלי עבודה חשמליים עלולה לגרום לעצמים זרים להיזרק אל תוך העיניים, דבר העלול לגרום לנזק חמור לעיניים. לפני ההפעלה של כלי עבודה חשמלי, ענדו תמיד משקפי מגן או משקפי בטיחות עם הגנה צדדית, ובעת הצורך, הגנה עבור כל הפנים. אנו ממליצים על שימוש במסכת בטיחות רחבה מעל למשקפי המגן או על שימוש במשקפי בטיחות עם הגנה צדדית.



## הוראות בטיחות

עמוד זה מציין ומתאר את סימני הבטיחות העשויים להופיע על גבי המוצר. קראו, הבינו ועקבו אחר ההוראות המופיעות על המכשיר לפני כל ניסיון להרכיב ולהשתמש בו.

	התראת בטיחות	מציין סכנת פציעה אישית פוטנציאלית.
	קראו את המדריך למפעיל	בכדי להפחית את הסיכון לפציעות, על המשתמש לקרוא ולהבין את המדריך למשתמש לפני השימוש במוצר זה.
	לבשו מגני עיניים	חבשו תמיד משקפי מגן או משקפי בטיחות עם הגנה צדדית, ובעת הצורך, הגנה עבור כל הפנים, בעת הפעלת מוצר זה.
	CE	מוצר זה תואם לתקנות ה-EC הרלוונטיות.
	WEEE	אין להשליך מוצרים חשמליים ביחד עם אשפה ביתית. הביאו את המכשיר למרכז מחזור מוסמך.
	נא לא לחשוף לגשם	אין להשתמש במוצר אוויר גשום או להשאיר בחוץ בגשם.
	סמל IP	הגנה מפני כניסה של מים בדרגה 5
	וולט	מתח
	מילימטר	אורך או גודל
	סנטימטר	אורך או גודל
	קילוגרם	משקל
	זרם ישיר	סוג או מאפיין מתח

**⚠ אזהרה:** קראו את כל ההוראות הבטיחות במסמנות בסימן ⚠ ואת כל ההוראות.

שימרו את כל האזהרות וההוראות לעיון עתידי.

המושג "כלי עבודה חשמלי" בחלק האזהרות מתייחס אל כלי העבודה החשמלי שלכם (חוטני) או כלי עבודה חשמלי המונע על ידי סוללות (אלחוטני).

**▲ אזהרות בטיחות כלליות עבור כלי עבודה שמלליים - בטיחות באזור העבודה.**

■ שימרו על סביבת העבודה נקייה ומוארת כהלכה. סביבות לא מסודרות ואפולות מזמינות תאונות.

■ אל תפעילו את המכשיר החשמלי באזורים דליקים, בנוכחות נוזלים דליקים, גזים או אבק. כלי עבודה שמלליים מייצרים ניצוצות העלולים להצית את האבק או האדים.

■ בקשו מילדים ומעוברי אורח להתרחק מן המכשיר החשמלי בעת הפעלתו. הסחות דעת עלולות לגרום לכך לאבד שליטה.

**▲ אזהרות בטיחות כלליות עבור כלי עבודה שמלליים - בטיחות חשמלית.**

■ התקעים של המכשיר החשמלי צריכים להיות מתאימים לשקע. לעולם אל תשנו את התקע בכל צורה שהיא. אל תשתמשו במתאמים עבור תקעים של מכשירים שמלליים בעלי הארקה. תקעים שלא שנו ושקעים מתאימים יפחיתו את הסיכון לשוק חשמלי.

■ הימנעו מגגע עם משטחים בעלי הארקה, כגון צינורות, דריאטורים, כיריים ומקררים. יש סיכון גבוה להלם חשמלי אם הגוף שלכם מוארק.

■ אל תחשפו את המכשיר החשמלי לגשם או לתנאים רטובים. מים הנכנסים אל המכשיר החשמלי יגבירו את הסכנה להלם חשמלי.

■ אל תפעילו לחץ על הכבל. לעולם אל תשתמשו בכבל על מנת לשאת, למשוך או להוציא את המכשיר החשמלי מן השקע. שימרו על הכבל הרחק ממקורות חום, שמן, קצוות חדים או חלקים נעים. כבלים ניזוקים או מלופפים מגבירים את הסיכון לשוק חשמלי.

■ בעת הפעלת המכשיר החשמלי בחוץ, עשו שימוש בכבל מאריך המתאים לשימוש בחוץ. השימוש בכבל מאריך המתאים לשימוש בחוץ מפחית את הסיכון לשוק חשמלי.

■ אם לא ניתן להימנע מהפעלת המכשיר החשמלי במקום לח, עשו שימוש במפסק פחת להגנה על המתח. השימוש במפסק פחת מפחית את הסיכון לשוק חשמלי.

**▲ אזהרות בטיחות כלליות עבור כלי עבודה שמלליים - בטיחות אישית.**

■ הישארו דרוכים, הביטו במה שאתם עושים והשתמשו בשכל הישר כאשר אתם משתמשים במכשיר החשמלי. נא לא להשתמש במכשיר החשמלי כאשר אתם עייפים או תחת השפעה של סמים, אלכוהול או תרופות. רגע אחד של חוסר תשומת לב בעת הפעלת המכשיר החשמלי עלול לגרום לפציעה אישית חמורה.

■ השתמשו בציוד הגנה אישי. חבשו תמיד מגני עיניים. כאשר נעשה שימוש בציוד הגנה כגון מסכת אבק, נעלי בטיחות נגד החלקה, קסדות או מגי אוזניים, בתנאים המתאימים, הדבר יפחית את הסיכון לפציעות אישיות חמורות.

■ מנעו הפעלה מקרית. וודאו שהמתג נמצא במצב כבוי לפני חיבור של מקור מתח ו/או מארז הסוללה, לפני הרמת המכשיר החשמלי או נשיאתו. נשיאה של מכשירים שמלליים כאשר האצבע שלכם ממוקמת על המתג או חיבור מקורות מתח למכשירים שמלליים הנמצאים במצב פועל, מזמינים תאונות.

■ הסירו כל כלי כוונון או מפתח ברגים לפני ההפעלה של המכשיר החשמלי. מפתח ברגים או כלי כוונון המוצמד אל חלק מסתובב של המכשיר החשמלי עלול לגרום לפציעה אישית חמורה.

■ אל תנסו להתמתח רחוק מדי. שימרו על צעד ואיזון בטוחים בכל זמן. הדבר מאפשר שליטה טובה יותר במכשיר החשמלי במצבים לא צפויים.

■ לבשו בגדים מתאימים. אל תלבשו בגדים רפויים או תכשיטים. שימרו על השיער שלכם ועל חלקי ביגוד וכפפות הרחק מחלקים נעים. בגדים רפויים, תכשיטים או שיער ארוך עלולים להיתפס בחלקים הנעים.

■ אם המכשירים מגיעים ביחד עם חיבור להוצאת אבק ומתקני איסוף, וודאו שאלו מחוברים כהלכה והשימוש בהם נעשה באופן נכון. השימוש במתקני אבק יכול להפחית סכנות הקשורות לאבק.

■ אל תאפשרו לעצמכם להיות פחות זהירים בגלל שימוש תכופ במכשיר החשמלי, אל תהיו שאננים ואל תתעלמו ממקורות הבטיחות. פעולה לא זהירה עלולה לגרום לפציעה חמורה בשבריר שנייה.

**▲ אזהרות בטיחות כלליות נוספות עבור מכשירים שמלליים - השימוש והטיפול במכשיר החשמלי.**

■ אל תפעילו כוח על המכשיר החשמלי. השתמשו במכשיר החשמלי המיועד למטרה שלכם. המכשיר החשמלי הנכון יבצע את עבודתו בצורה טובה ובטוחה יותר בקצב בו הוא תוכנן לפעול.

■ אל תשתמשו במכשיר החשמלי אם מתג ההפעלה והכיבוי איננו פועל. כל מכשיר חשמלי אשר לא ניתן לשלוט בו בעזרת המתג הוא מסוכן ויש לתקן אותו.

■ נתקו את התקע ממקור החשמל ו/או הסירו את מארז הסוללה מן המכשיר החשמלי לפני ביצוע כל התאמה, החלפת אביזרים, או אחסון של מכשיר חשמלי. אמצעי זהירות למניעה אלו מפחיתים את הסיכון להפעלה מקרית של המכשיר החשמלי.

■ אחסנו מכשירים שמלליים אשר אינם בשימוש הרחק מהישג ידם של ילדים ואל תאפשרו לאנשים אשר אינם מכירים את המכשיר החשמלי או אשר לא קראו את ההוראות להפעיל את המכשיר החשמלי. מכשירים שמלליים הם מסוכנים כאשר הם בידם של אנשים אשר לא הוכשרו להפעיל אותם.

■ תחזקו מכשירים שמלליים. בדקו יישור או ליפוף של חלקים נעים, שבירה של חלקים וכל תנאים אחרים אשר עלולים להשפיע על פעולת המכשיר החשמלי. אם המכשיר החשמלי ניזוק, יש לתקן אותו לפני השימוש בו. תאונות רבות נגרמות כתוצאה מתחזוקה לקייה של מכשירים שמלליים.

■ שימרו על כלי היתוך חדים ונקיים. לכלי חיתוך אשר תוחזקו כהלכה בעלי קצוות חדים יש פחות סיכוי לבצע ליפוף קל יותר לשלוט בהם.

■ השתמשו במכשירים החשמליים, באביזרים, בחתיכות המכשירים וכו' בהתאם להוראות אלו, כאשר אתם לוקחים בחשבון את תנאי העבודה ואת העבודה שיש לבצע. שימוש במכשיר החשמלי לפעולות אחרות מאשר אלו אליהן הוא מיועד עלול להסתיים במצב מסוכן.

■ שימרו על הידיות ועל חלקי האחיזה יבשים, נקיים וולא שמן או חומרי סיכה. ידיות ומשטחי אחיזה מחלקים לא מפשירים טיפול נכון ושלטה במכשיר במצבים לא צפויים.

■ ניתן להשתמש במוט המתח הטלסקופי PPX1000 56V רק עם האביזרים הבאים של EGO או שהוצגו על ידי EGO לשימוש עם מוט מתח טלסקופי זה:

סוג האביזר	מספר דגם
אביזר גוזם גדרות	PTX5100
אביזר המסור הטלסקופי	PSX2500

⚠ אזהרות בטיחות כלליות עבור כלי עבודה חשמליים - השימוש והטיפול בסוללה.

■ הטעינו רק עם המטען המצוין על ידי היצרן. מטען המתאים למארז סוללה אחד עלול ליצור סכנת אש עבור מארז סוללה אחר.

■ השתמשו במכשירים חשמליים עם מארזי סוללה המיועדים להם. השימוש במארזי סוללה אחרים עלול ליצור סיכון לפציעות ושרפות.

■ כאשר מארז הסוללה איננו בשימוש, שימרו עליו במרחק מסוים מעצמים אחרים העשויים ממתכת, כגון מהדקי נייר, מטבעות, מפתחות, מסמרים, ברגים או עצמים קטנים ממתכת העלולים לבצע חיבור של מסוף אחד למשנהו. ביצוע קצר בין מסופי הסוללה עלול לגרום לכוויות או שרפה.

■ בתנאי שימוש לא נאותים, נזל עלול להיפלט מן הסוללה; הימנעו ממגע. אם ישנו מגע מקרי, שטפו במים. אם מתרחש מגע עם העיניים, בנוסף, פנו לעזרה רפואית. נזל הנפלט מן הסוללה עלול לגרום לפריחה או כוויות.

■ אל תשתמשו במארז סוללה או מכשיר חשמלי ניזוקים או אשר שונו. סוללות ניזוקות או אשר שונו עלולות להתנהג בצורה לא צפויה אשר עלולה להסתיים בשרפה, פיצוץ או סיכון לפציעה אישית.

■ אל תחשפו את מארז הסוללה או את המכשיר אל אש או טמפרטורות גבוהות. חשיפה אל אש או טמפרטורות הגבוהות מ-130°C עלולה לגרום לפיצוץ.

■ בצעו את כל הוראות ההטענה ואל תטעינו את מארז הסוללה או את הכלי החשמלי מחוץ לטווחי הטמפרטורה המצוינים בהוראות אלו. הטענה לא

בכונה או מחוץ לטווחי הטמפרטורה המצוינים עלולים לגרום לנזק ולהעלות את הסיכון לשרפה.

⚠ אזהרות בטיחות כלליות עבור כלי עבודה חשמליים - שירותים.

■ בצעו עבודות שירות על המכשיר החשמלי שלכם רק באמצעות טכנאי שירות מוסמך העושה שימוש בחלקי חילוף זהים בלבד. הדבר יבטיח שבטיחות המכשיר החשמלי נשמרת.

■ לעולם אל תבצעו עבודות שירות למארזי סוללה ניזוקים. שירות למארזי סוללה צריך להתבצע רק על ידי היצרן או ספקי שירות מוסמכים.

■ אם תיתקלו במצבים שאינם מתוארים במדריך זה, פעלו בזהירות ובעזרת שכל ישר. צרו קשר עם מרכז השירות של EGO לעזרה.

שימרו על הוראות אלה

ניתן למצוא כללי בטיחות ספציפיים נוספים במדריך למפעיל של האביזר המתאים

## מפרטים

מתח	56 V
טמפרטורת הפעלה מומלצת:	0°C-40°C
טמפרטורת אחסון מומלצת	-20°C-70°C
משקל	3.9 ק"ג

## תיאור

הכירו את מוט המתח הטלסקופי שלכם (איו A)

1. ידית אחורית
2. לשון נעילה
3. עינית נשיאה
4. ידית קדמית
5. כפתור הידוק
6. כפתור שחרור מוט
7. כפתור נעילה
8. מצמד
9. צינור טלסקופי
10. הדק למהירויות מגוונות
11. תמיכת כלי
12. רצועת כתף
13. מנגנון פליטה
14. בריח
15. כפתור שחרור הסוללה
16. מחזיק מפתח הברגים
17. מברג משולב

## רשימת אריזה (איור A)

### הרכבה

**⚠ אזהרה:** אם ישנם חלקים ניזוקים או חסרים, אל תפעילו את המכשיר עד אשר חלקים אלו יוחלפו. שימוש במכשיר זה עם חלקים פגומים או חסרים עלול לגרום לפגיעה אישית חמורה.

**⚠ אזהרה:** הסירו תמיד את מארז הסוללה מן המכשיר בעת הרכבת חלקים, ביצוע התאמות, ניקיון או כאשר המכשיר איננו נמצא בשימוש.

### חיבור/הסרה של מוט המתח הטלסקופי

**⚠ אזהרה:** קראו והבינו את המדריך למפעיל כולו לכל אביזר אופציונלי המשמש על מוט מתח חשמלי זה ובצעו את כל האזהרות וההוראות. אי ביצוע כל ההוראות יכול לגרום להלם חשמלי, שרפה ו/או פציעות אישיות חמורות.

**⚠ אזהרה:** מוט מתח טלסקופי PPX1000 56V זה מיועד לשימוש עם דגמי אביזר EGO המפורטים במדריך זה למשתמש או אשר מוצגים בהמשך על ידי EGO לשימוש עם מוט מתח טלסקופי זה. שימוש באביזרים אחרים, שאינם מורשים עשוי לגרום לפגיעות אישיות חמורות או נזק לרכוש.

**⚠ אזהרה:** לעולם אין לחבר להסיר או להתאים אביזר כלשהו כשמוט המתח הטלסקופי פועל או כשהסוללה מותקנת. אי כיבוי המנוע והסרת הסוללה עשויים לגרום לפגיעה אישית חמורה.

האביזר מתחבר למוט המתח הטלסקופי באמצעות התקן מצמד.

1. עצרו את המנוע והסירו את מארז הסוללה.
2. שחררו את כפתור הנעילה.
3. יישרו את החץ שעל מוט האביזר עם אינדיקטור

היישור שעל המצמד ודחפו את מוט האביזר לתוך המצמד עד שתשמעו צליל „קליל” ברור, יש להניח את המצמד לאורך כל הדרך אל קו הייחוס על המוט, דבר המציין שמוט האביזר מורכב במקומו. (איור B).

B-1	כפתור שחרור מוט	B-4	קו ייחוס
B-2	אינדיקטור יישור	B-5	כפתור נעילה
B-3	סימון חץ		

4. משכו את המוט על האביזר כדי לוודא שהוא נעול באופן בטוח בתוך המצמד. אם לא, דחפו את מוט האביזר אל תוך המצמד עד שייכנס למקומו בנקישה.
5. הדקו את כפתור הנעילה היטב.

**⚠ אזהרה:** וודאו שכפתור הנעילה מהודק לגמרי לפני הפעלת ציוד, בדקו אותו בקביעות להידוק בזמן השימוש כדי למנוע פגיעה אישית חמורה.

### הסרת האביזר ממוט המתח הטלסקופי

1. עצרו את המנוע והסירו את מארז הסוללה.
2. שחררו את כפתור הנעילה.
3. לחץ על כפתור שחרור המוט. כשהכפתור לחוץ משוך את ידית האביזר אל מחוץ למצמד.

### הרכבת רצועת הכתף (איור C)

לחצו על וו הרצועה כדי לפתוח אותה וחברו אותו אל עינית הנשיאה.

### הארכת הצינור הטלסקופי

המכשיר מצויד בצינור טלסקופי אשר יגיע לאורך של 960 מ"מ (אורך מלא).

כפתור ההידוק משמש על מנת להחזיק את הצינור הטלסקופי במקומו בכל אורך שהוא.

1. על מנת להאריך את הצינור הטלסקופי, שחררו את כפתור ההידוק על ידי מעקב אחר אייקון הפתיחה שלו. הצינור הטלסקופי ינוע בחופשיות (איור D)

D-1	כפתור הידוק	D-2	אינדיקציה להגבלת מוקסימלית
-----	-------------	-----	----------------------------

2. הוציאו את הצינור הטלסקופי עד לאורך הרצוי.
3. על מנת לקבע את הצינור הטלסקופי במקומו, הדקו את כפתור ההידוק על ידי מעקב אחר אייקון הנעילה שלו.

**⚠ אזהרה:** למניעת צביטות על האצבעות או הידיים שלכם, אנה היו זהירים בכל שלב

### הפעלה

**⚠ אזהרה:** אל תניחו לעובדה שאתם מכירים את המוצר להפוך אתכם לפחות זהירים. זכרו שחוסר זהירות של שבריר אחד של שנייה מספיק לגרום לפגיעה אישית חמורה.

**⚠ אזהרה:** חבשו תמיד מגני עיניים. אם לא תעשו זאת עצמים עלולים להיזרק אל תוך העיניים שלכם ועלולות להיגרם פציעות חמורות אחרות.

**⚠ אזהרה:** אל תעשו שימוש בחיבורים או אביזרים אשר לא הומלצו על ידי יצרן מוצר זה. השימוש בחיבורים או אביזרים אשר לא הומלצו עלול לגרום לפגיעה חמורה.

### התקנה/הסרה של מארז הסוללה

**הערה:** לפני השימוש בו בפעם הראשונה, העטינו לגמרי את מארז הסוללה.

### להתקנה

יישרו את עורקי הסוללה עם חריצי ההרכבה ולחצו את מארז הסוללה כלפי מטה עד אשר יישמע „קליק” (איור E).

E-1	חריץ הרכבה	E-2	עורק
-----	------------	-----	------

## להסרה

לחצו על כפתור שחרור הסוללה והוציאו את מארז הסוללה (איור F).

**⚠ אזהרה:** כדי למנוע פציעה אישית חמורה, הוציאו תמיד את מארז הסוללה והרחיקו את ידיכם מלשון הנעילה ומההדק בעת נשיאה או שינוע של הכלי.

## רצועת כתף

עבור הפעלה טובה ובטוחה יותר, העבירו את רצועת הכתף מעל לכתף בהתאם לאיור G על מנת לשחרר משקל מזרועות המפעיל. התאימו את רצועת הכתף בתנוחת הפעלה נוחה.

יישן שתי דרכים לשחרר את הרצועה. הסירו אותה מן הכתף באופן ישיר (איור H) או לחצו על ׀ הרצועה והסירו אותה מעניינת הנשיאה הקבועה על המוט (איור I).

**⚠ אזהרה:** רצועת הכתף מהווה גם מנגנון שחרור מהיר במצב מסוכן. במצב חירום, הסירו אותה מיד מהכתף, ללא קשר לדרך בה היא חוברת.

## החזקת מוט המתח הטלסקופי

מוט המתח הטלסקופי מצויד במערכת מתקדמת בעלת הדק כפול (איור J). כל מערכת הדק יכולה באופן עצמאי להפעיל או לכבות את הכלי. שיטה זו של בקרה כפולה מעניקה את הפעולה הארגונומית ביותר בעבודת היומיום הקשה. (איורים K ו-L)

## הפעלה/כיבוי של מוט המתח הטלסקופי

### על מנת להפעיל את מוט המתח הטלסקופי

הדוץ קדימה את לשון הנעילה ולחצו את ההדק למהירויות מגוונות על מנת להפעיל את מוט המתח הטלסקופי. ככל שיש יותר לחץ על ההדק למהירויות מגוונות, כך מהירות אביזר הראש תהיה גבוהה יותר

### לכיבוי

שחררו את ההדק למהירויות מגוונות ואת לשון הנעילה.

## תחזוקה

**⚠ אזהרה:** במקרה של עבודות תיקון, השתמשו רק בחלקי חילוף זהים. בדקו ותחזקו את המכשיר באופן סדיר. על מנת להבטיח בטיחות ואמינות, יש לבצע את כל התיקונים וההחלפות בעזרת טכנאי שירות מוסמך.

**⚠ אזהרה:** לפני בדיקה, ניקיון או עבודות שירות עבור היחידה, עצרו את המנוע, חכו שכל החלקים הנעים יפסיקו את פעולתם והסירו את מארז הסוללה. אי ביצוע הוראות אלה עשוי לגרום לפציעה אישית חמורה או נזק לרכוש.

**⚠ הודעה:** לפני כל שימוש בדקו את כל המוצר עבור

חלקים ניזוקים, משוחררים או חסרים, כגון ברגים, אומים, בריחים, מכסים וכו'. הדקו בבטחה את כל האבזמים והמכסים ואל תפעילו את המוצר עד אשר חלקים חסרים או ניזוקים תוקנו או הוחלפו. צרו קשר עם שירות הלקוחות או לטכנאי שירות מוסמך.

## תחזוקה כללית

הימנעו משימוש בממסים כאשר אתם מנקים חלקי פלסטיק. רוב חלקי הפלסטיק עלולים להיזקק מסוגים שונים של ממסים מסחריים ועל ידי השימוש בהם. השתמשו במטליות נקיות על מנת להסיר לכלוך, אבק, שמן, חומר סיכה וכו'.

## ניקיון מוט המתח הטלסקופי

1. עצרו את המנוע והסירו את מארז הסוללה.
2. נקו לכלוך ופסולת ממוט המתח הטלסקופי בעזרת מטלית לחה עם סבון עדין.

**הודעה:** אל תעשו שימוש בחומרי ניקוי חזקים על תא הפלסטיק או על גבי הידית. עלול להיגרם להם נזק על ידי שמנים ארומטיים למיניהם, כגון אורן ולימון.

## אחסון מוט המתח הטלסקופי

1. הסירו את מארז הסוללה ממוט המתח הטלסקופי לפני האחסון.
2. נקו כל חומר זר ממוט המתח הטלסקופי.
3. אחסנו במקום רחוק מהישג ידם של ילדים.
4. הרחיקו מחומרים הגורמים לקורוזיה כגון כימיקלים לגינה ומלחים מסיי קרח.

## הגנה על הסיבה

אל תיזרקו ציוד חשמלי, מטען הסוללה וסוללות/סוללות ניתנות לטעינה ביחד עם אשפה ביתית!



## איתור וטיפול בבעיות

ראו את המדריך למשתמש של האביזר המתאים

## אחריות

### מדיניות האחריות של EGO

אנא בקרו באתר [egopowerplus.com](http://egopowerplus.com) עבור התנאים וההתניות השלמים של מדיניות האחריות של EGO.

## اقرأ جميع التعليمات!

اقرأ دليل التشغيل



**⚠️ خطر زائد!** الأشخاص الذين تم تركيب أجهزة طبية إلكترونية لهم، مثل منظم ضربات القلب، يجب عليهم استشارة الطبيب قبل استخدام هذا المنتج. لأن تشغيل معدات كهربائية بالقرب من منظم ضربات القلب قد ينشأ عنه خلل أو فشل في أداء منظم ضربات القلب.

**⚠️ تحذير:** لضمان السلامة والاعتمادية، يجب تنفيذ جميع أعمال الإصلاح واستبدال الأجزاء من قبل فني خدمة مؤهل.

## رموز السلامة

الغرض من رموز السلامة هو جذب انتباهك إلى المخاطر المحتملة. رموز السلامة والشروح المصاحبة لها تستحق اهتمامك وفهمك الدقيق. تحذيرات كل رمز، بنفسها، لا تمنع وقوع أي خطر. التعليمات والتحذيرات التي تمنحك إياها لا تعد بديلاً عن تطبيق الإجراءات الملائمة لمنع وقوع الحوادث.

**⚠️ تحذير:** احرص على قراءة وفهم جميع تعليمات السلامة في دليل التشغيل هذا، بما في ذلك جميع رموز تنبيهات السلامة، مثل "خطر"، و"تحذير"، و"تنبيه"، قبل استخدام هذه الآلة. عدم اتباع جميع التعليمات الواردة أدناه قد يؤدي إلى حدوث صدمة كهربائية أو نشوب حريق أو التعرض للإصابة الشخصية، أدها أو جميعها.

## معنى الرمز

**⚠️ تحذير:** قد يؤدي تشغيل أي آلة عاملة بالطاقة إلى دخول أي أشياء غريبة في عينيك، وهو ما قد يؤدي إلى إلحاق أضرار خطيرة بالعين. قبل بدء تشغيل الآلة العاملة بالطاقة، احرص دائماً على ارتداء واقبات العينين أو نظارات حماية العينين ذات دروع جانبية، ودرع واق لكامل الوجه عند اللزوم. نوصي بارتداء قناع السلامة واسع الرؤية لاستخدامه فوق نظارات العين أو نظارات السلامة العادية ذات الدروع الجانبية.



	تنبيه سلامة	يشير إلى خطر محتمل للتعرض لإصابة شخصية.
	اقرأ دليل التشغيل	للحد من خطر الإصابة، يجب على المستخدم قراءة وفهم دليل التشغيل قبل استخدام هذا المنتج.
	ارتد أدوات حماية العينين	ارتد دائماً نظارات الحماية المزودة بواقبات على الجانبين، وبنبغي ارتداء واق لكامل الوجه أثناء تشغيل هذا المنتج.
	شهادة الجودة الأوروبية CE	هذا المنتج متوافق مع توجيهات شهادة الجودة الأوروبية (CE) المعمول بها.
	نفايات المعدات الكهربائية والإلكترونية (WEEE)	لا يجب التخلص من الأجهزة الكهربائية المستهلكة في النفايات المنزلية. توجه بالجهاز إلى مركز إعادة تدوير معتمد.
	لا تُعرض المنتج للمطر	لا تستخدم المنتج تحت المطر أو أن تتركه في مكان مفتوح أثناء هطول المطر.
IPX5	رمز حماية IP	الحماية ضد دخول الماء، من الدرجة 5
V	فولت	الجهد الكهربائي
mm	مليمتر	الطول أو الحجم
cm	سنتيمتر	الطول أو الحجم
kg	كيلوجرام	الوزن
	تيار مستمر	النوع أو خصائص التيار

**⚠️ تحذير:** اقرأ جميع تحذيرات السلامة المميزة بالرمز وجميع التعليمات.

احتفظ بجميع التحذيرات والتعليمات للرجوع إليها في المستقبل.

يشير مصطلح "آلة عاملة بالطاقة" في التحذيرات إلى الآلة العاملة بالطاقة (الموصولة بسلك تيار) أو الآلة العاملة بالبطارية (غير الموصولة بسلك تيار).

**⚠️ تحذيرات السلامة العامة المتعلقة بالآلة العاملة بالطاقة – سلامة منطقة العمل.**

- حافظ على منطقة العمل نظيفة ومضاءة جيداً، حيث عادة ما تتسبب المناطق المظلمة أو التي بها ركام إلى وقوع حوادث.
- لا تقم بتشغيل الآلات العاملة بالطاقة في أجواء قابلة للانفجار، على سبيل المثال في وجود سوائل أو مواد بترولية أو غبار قابلة للاشتعال. فقد تتسبب الآلات العاملة بالطاقة في صدور شرارة، والتي قد تتسبب في اشتعال الغبار أو الأبخرة القابلة للاشتعال.

احتفظ بالأطفال والمشاهدين بعيداً عن موقع استعمال الآلة العاملة بالبطاقة. حيث أن الإلهامات قد تجعلك تفقد السيطرة على الآلة.

**⚠ تحذيرات السلامة العامة المتعلقة بالآلة العاملة بالبطاقة – السلامة الكهربائية.**

ينبغي أن يتوافق قابس الآلة العاملة بالبطاقة مع مقبس التيار. لا يجب إدخال تعديلات على القابس بأي حال من الأحوال. لا تستخدم أي قوايس مهايئة مع الآلات العاملة بالبطاقة الموزعة. ستؤدي القوايس غير المُعدّلة والمقابس المتوافقة إلى الحد من خطر حدوث صدمة كهربائية.

**⚠ تجنب ملامسة الجسم لأسطح موزعة مثل الأنابيب والمشعاع والمواف والثلاجات.** هناك خطر متزايد لحدوث صدمة كهربائية إذا كان جسمك موزعاً.

لا يتم تعريض الآلات العاملة بالبطاقة للمطر أو الأجواء الرطبة. حيث سيؤدي الماء الذي يدخل إلى الآلة العاملة بالبطاقة إلى زيادة خطر حدوث صدمة كهربائية.

لا تعبت بطارية التيار. لا تقم أبداً باستخدام سلك التيار لحمل الآلة العاملة بالبطاقة أو سحبها أو فصلها عن التيار. احتفظ بالسلك بعيداً عن مصادر الحرارة أو الزيت أو الحواف الحادة أو الأجزاء المتحركة. تؤدي أسلاك التيار التالفة أو المتشابكة إلى زيادة خطر حدوث صدمة كهربائية.

عند تشغيل آلة عاملة بالبطاقة في مكان خارجي مفتوح، استخدم سلك تمديد ملائم للاستخدام الخارجي. استخدم سلك ملائم للاستخدام الخارجي بحد من خطر حدوث صدمة كهربائية.

إذا كان لا بد من تشغيل الآلة في مكان رطب، فاستخدم مصدر تيار محمي بقاطع تيار موزع. يؤدي استخدام قاطع التيار الموزع إلى الحد من خطر حدوث صدمة كهربائية.

**⚠ تحذيرات السلامة العامة المتعلقة بالآلة العاملة بالبطاقة – السلامة الشخصية.**

ابق منتبهاً، وانتبه جيداً لما تفعله، وكن عقلانياً عند تشغيل آلة تعمل بالبطاقة. لا تستخدم أي آلة عاملة بالبطاقة وأنت مجهد أو تحت تأثير المخدرات أو الكحوليات أو الأدوية. قد تؤدي لحظة من عدم الانتباه أثناء تشغيل الآلات العاملة بالبطاقة إلى حدوث إصابات شخصية خطيرة.

استعن بمعدات الحماية الشخصية. ارتد دائماً أدوات حماية للعينين. سيؤدي استخدام أدوات الحماية كقناع الغبار أو أذنية السلامة المضادة للرائحة أو القبعات الصلبة أو أدوات حماية السمع في ظروف مناسبة إلى الحماية من الإصابات الشخصية.

امنع بدء تشغيل الآلة غير المتمعد. احرص على أن يكون مفتاح الطاقة في وضع الإيقاف قبل توصيل الآلة بمصدر التيار أو مجموعة البطاريات، أو التقاط الآلة أو حملها. قد يتسبب حمل الآلات العاملة بالبطاقة وإصبعك على مفتاح التشغيل أو شحنها ومفتاح التشغيل على وضع التشغيل في وقوع حوادث.

أزل أي مفتاح تعديل أو مفتاح ربط قبل تشغيل الآلة العاملة بالبطاقة. قد يؤدي ترك مفتاح ربط أو مفتاح عادي مرتكباً على جزء دوار بالآلة العاملة بالبطاقة إلى وقوع إصابات شخصية.

لا تقف في مكان تُضطر لمد يديك بعيداً. قف وأنت ثابت ومتوازن في جميع الأوقات. وهو ما يسمح بتحكم أفضل في الآلة العاملة بالبطاقة في الظروف غير المتوقعة.

ارتد الملابس الملائمة. لا ترتد ملابس أو مجوهرات غير ثابتة. احتفظ بشعرك وملابسك وقفازاتك بعيداً عن الأجزاء المتحركة. قد تعلق الملابس الضفائفة أو المجوهرات أو الشعر الطويل في الأجزاء المتحركة.

إذا تم تقديم أجهزة خاصة بتوصيل أدوات استخراج وجمع الغبار، فأحرص على توصيلها واستخدامها على النحو اللازم. قد يؤدي استخدام أجهزة الغبار إلى الحد من المخاطر المرتبطة به.

لا تدع الخيرة المكتسبة من الاستخدام المتكرر للآلات يجعلك تتعامل دون الانتباه اللازم وتتجاهل مبادئ السلامة المتعلقة بالآلة. فقد يتسبب أي إجراء غير مدروس في إصابات خطيرة في جزء من الثانية.

**⚠ تحذيرات السلامة العامة الإضافية المتعلقة بالآلة العاملة بالبطاقة – استخدام الآلة العاملة بالبطاقة والعناية بها.**

لا تجبر الآلة العاملة بالبطاقة على أعمال تفوق قدرتها. استخدم الآلة العاملة بالبطاقة الملائمة لأعمالك. ستقوم الآلة العاملة بالبطاقة الملائمة بإداء أعمالك بشكل أفضل وأكثر أماناً بالمعدل الذي أعدت له.

لا تستخدم الآلة العاملة بالبطاقة إذا كان مفتاح التشغيل لا يمكن نقله إلى وضع التشغيل أو وضع الإيقاف. أي آلة عاملة بالبطاقة لا يمكن التحكم فيها بمفتاح التشغيل تعتبر خطيرة وينبغي إصلاحها.

أفضل القابس من مصدر التيار أو مجموعة البطاريات عن الآلة العاملة بالبطاقة قبل إجراء أي تعديلات أو تغيير ملحقات أو تخزين الآلات العاملة بالبطاقة. إجراءات السلامة الوقائية هذه تحد من خطر تشغيل الآلة العاملة بالبطاقة بشكل خاطئ.

حرّز الآلات العاملة بالبطاقة غير المستخدمة بعيداً عن متناول أيدي الأطفال ولا تسمح للأشخاص غير المتدربين على استخدام الآلات العاملة بالبطاقة أو على هذه التعليمات بتشغيل الآلة. الآلات العاملة بالبطاقة تكون خطيرة في أيدي الأشخاص غير المدربين.

صيانة الآلات العاملة بالبطاقة. تحقق من عدم محاذة الأجزاء المتحركة أو ربطها، أو وجود كسور في الأجزاء، أو أي حالة أخرى قد تؤثر على عمل الآلة. إذا كان هناك تلف، فقم بإصلاح الآلة العاملة بالبطاقة قبل استخدامها. فالعديد من الحوادث يكون سببها الآلات التي لم تتم صيانتها.

احتفظ بالأدوات القاطعة حادة ونظيفة. الأدوات القاطعة التي تتم صيانتها كما ينبغي للاحتفاظ بحوافها القاطعة حادة تكون أقل عرضة للانحناء وسهل التحكم فيها.

استخدم الآلة والملحقات والنمق وما شابههم وفقاً لهذه التعليمات، مع الأخذ في الاعتبار ظروف العمل والأعمال التي سيتم تنفيذها. قد يؤدي استخدام الآلة في أعمال غير تلك المخصصة لها إلى حوادث خطيرة.

احتفظ بالمقايض وأسطح الإمساك جافة ونظيفة وخالية من الزيوت والشحوم. لأن المقايض وأسطح الإمساك المنزلة لا تمنحك القدرة على التعامل والتحكم الأميين في الآلة في المواقع غير المتوقعة.

يمكن استخدام عمود الطاقة المترابك PPX1000 بجهد 56 فولت هذا مع ملحقات EGO التالية فقط، أو التي يتم تقديمها لاحقاً من شركة EGO للاستخدام مع عمود الطاقة المترابك هذا:

## المواصفات

رقم الطراز	نوع الملحق
PTX5100	ملحق جزارة السياج
PSX2500	ملحق المنشار العمودي

56 فولت	الجهد الكهربى
0-40 درجة مئوية	درجة حرارة التشغيل الموصى بها:
-20-70 درجة مئوية	درجة حرارة التخزين الموصى بها
3.9 كجم	الوزن

## الوصف

### تعرف على عمود الطاقة المتراكب (الشكل A)

1. المقيض الخلفى
2. لسان القفل
3. ثقب الحمل
4. المقيض الأمامى
5. بكرة المشبك
6. زر تحرير العمود
7. بكرة القفل
8. وصلة
9. أنبوب متراكب
10. الزناد الزنبركي ذو السرعة المتغيرة
11. دعامة الآلة
12. حزام الكف
13. آلية الإخراج
14. لسان
15. زر تحرير البطارية
16. حامل مفتاح الربط
17. مفتاح ربط بجانبين

### قائمة المحتويات (الشكل A)

## التجميع

**⚠ تحذير:** إذا حدث تلف أو فقد في أي أجزاء، لا تتم بتشغيل هذا المنتج إلا بعد استبدال الأجزاء. استخدام هذا المنتج مع وجود أجزاء تالفة أو مفقود قد يؤدي إلى وقوع إصابات شخصية خطيرة.

**⚠ تحذير:** احرص دائماً على خلع مجموعة البطارية من المنتج عند تجميع الأجزاء، أو عمل التعديلات، أو التنظيف، أو عند عدم استخدام المنتج.

### تركيب ملحق في عمود الطاقة المتراكب

**⚠ تحذير:** اقرأ دليل التشغيل بأكمله وافهمه لكل ملحق اختياري مصمم للاستخدام مع عمود الطاقة المتراكب هذا، واتباع جميع التحذيرات والتعليمات. عدم اتباع جميع التعليمات قد يؤدي إلى حدوث صدمة كهربائية أو نشوب حريق أو التعرض للإصابة الشخصية، أحدها أو جميعها.

## ⚠ تحذيرات السلامة العامة الإضافية المتعلقة بالآلة العاملة بالطاقة استخدام الآلة العاملة بالبطارية والعناية بها.

■ لا تُعد شحن الآلة إلا باستخدام الشاحن المحدد بواسطة الشركة الصانعة. فالشاحن الملائم لنوع من مجموعات البطارية قد يتسبب في نشوب حريق إذا تم استخدامه مع مجموعة بطارية أخرى.

■ استخدم الآلات العاملة بالطاقة مع مجموعات البطاريات المخصصة لها فقط. لأن استخدام أي مجموعات بطارية أخرى قد يؤدي إلى التعرض لإصابات أو نشوب حريق.

■ عند عدم استخدام مجموعة البطارية، احتفظ بها بعيداً عن الأغراض المعدنية الأخرى مثل مشابك الأوراق أو العملات المعدنية أو المفاتيح أو المسامير أو البراغي أو الأغراض المعدنية الصغيرة الأخرى التي قد تتسبب في عمل دائرة قصر (قفل للدائرة) بين أقطاب البطارية. عمل دائرة قصر (قفل الدائرة) بين أطراف البطارية قد يتسبب في حروق أو نشوب حريق.

■ فى حالات التعامل السليمة، قد يحدث ارتشاح للسوائل من البطارية؛ لا تلامسه. إذا حدثت ملامسة بشكل عرضي، فاغسلها بالماء. إذا لامس السائل العينين، فاطلب المساعدة الطبية على الفور. المسائل المرشحة من البطارية قد يتسبب في حدوث احتياج في الجلد أو حروق.

■ لا تستخدم مجموعة البطارية أو الآلة إذا كانا تالفين أو تم إدخال تعديلات عليهما. لأن البطاريات التالفة أو التي تم تعديلها قد تعمل بشكل غير متوقع، وهو ما قد يؤدي لنشوب حريق أو حدوث انفجار أو خطر التعرض لإصابة.

■ لا تقم بتعرض مجموعة البطارية أو الآلة للحرق أو درجات الحرارة الزائدة. التعرض لدرجات الحرارة الأعلى من 130 درجة مئوية قد يؤدي لحدوث انفجار.

■ اتبع تعليمات الشحن ولا تشحن مجموعة البطارية أو الآلة في نطاق درجة حرارة خارج النطاق المحدد في التعليمات. قد يؤدي الشحن غير المضبوط أو في درجات حرارة خارج النطاق المسموح به إلى تلف البطارية وخطر نشوب حريق.

## ⚠ تحذيرات السلامة العامة المتعلقة بالآلة العاملة بالطاقة - أعمال الصيانة.

■ ينبغي إجراء الصيانة على الآلة بواسطة فني إصلاح متخصص باستخدام قطع غير أصلية مطابقة فقط. فهذا سيضمن المحافظة على سلامة الآلة.

■ لا تقم بصيانة مجموعات البطارية التالفة بأي حال من الأحوال. بل ينبغي أن تكون صيانة مجموعات البطارية من خلال الشركة الصانعة أو مقدمي الخدمة المعتمدين فقط.

■ إذا حدثت حالات غير مذكورة في هذا الدليل، توخ الحذر واتخذ قرارات حكيمه. تواصل مع مركز خدمة العملاء بشركة EGO طلباً للدعم.

### احفظ هذه التعليمات

يمكن التعرف على قواعد السلامة المقررة الإضافية من دليل تشغيل الملحق المستخدم



2. اسحب الأنبوب المترابك للخارج وصولاً إلى طول التمديد المرغوب.
3. لفقل الأنبوب المترابك في موضعه، اربط بكرة المشبك باتباع أيقونة الفقل الخاصة بها.

**⚠ تحذير:** في حال انحسار يدك أو أصابعك، يُرجى الانتباه بحرص في كل خطوة.

## التشغيل

**⚠ تحذير:** لا تسمح لاعتيادك على تشغيل هذا المنتج أن يجعلك مستهتراً عند التعامل معه. ولا تنس أن الاستهتار لجزء من الثانية كافٍ للتسبب في حدوث إصابات خطيرة.

**⚠ تحذير:** ارتد دائماً أدوات حماية للعينين. قد ينجم عن عدم الامتنال لذلك دخول أشياء في عينيك، واحتمالية وقوع إصابات خطيرة.

**⚠ تحذير:** لا تستخدم أي مرفقات أو ملحقات سوى تلك الموصى بها من قبل الشركة الصانعة لهذا المنتج. لأن استخدام مرفقات أو ملحقات غير موصى بها قد يؤدي إلى وقوع إصابات شخصية خطيرة.

## تركيب/خلع مجموعة البطارية

**ملاحظة:** اشحن مجموعة البطارية بالكامل قبل الاستخدام.

### للتثبيت

قم بمحاذاة دعامات البطارية مع فتحات التركيب، واضغط على مجموعة البطارية أسفل إلى أن تسمع صوت «نقرة» (الشكل E).

دعامة	E-2	فتحة التركيب	E-1
-------	-----	--------------	-----

### للخلع

اضغط أسفل على زر تحرير البطارية، واسحب مجموعة البطارية للخارج (الشكل F).

**⚠ تحذير:** لتجنب التعرض لإصابات خطيرة، احرص دائماً على خلع مجموعة البطارية مع إبقاء يدك بعيداً عن لسان الفقل والزناد عند حمل الآلة أو نقلها.

### حزام الكتف

للتشغيل بشكل أفضل وأكثر أمناً، ارتد حزام الكتف بحيث يمر عبر الكتف كما هو موضح في الشكل G لتخفيف الوزن عن أزرع مشغل الآلة. اضبط حزام الكتف على وضعية تشغيل مرحة.

هناك طريقتان لتحرير الحزام. اخلعه من على كتفك مباشرة (الشكل H) أو اضغط على خطاف الحزام وافصله من ثقب الحمل المثبت في العمود (الشكل I).

**⚠ تحذير:** كما أن شريط الكتف مزود بألية التحرير السريع في المواقف الخطرة. عند حدوث طارئ، اخلعه عن كتفك على الفور، بغض النظر عن طريقة تثبيته.

### الإسماك بعمود الطاقة المترابك

عمود الطاقة المترابك مجهز بنظام تشغيل متقدم مزدوج الزناد (الشكل J). يمكن لكل نظام زناد تشغيل الآلة أو إطفائها بشكل مستقل. هذه الطريقة الابتكارية مزدوجة نظام التحكم تمنح المستخدم تجربة تشغيل أكثر سلامة أثناء المهام اليومية الشاقة. (الشكل K و L)

**⚠ تحذير:** عمود الطاقة المترابك PPX1000 بجهد ٦٥ فولت هذا مصمم للاستخدام مع طرازات ملحقات EGO المحددة في دليل التشغيل هذا فقط، أو التي يتم تقديمها لاحقاً من شركة EGO للاستخدام مع عمود الطاقة المترابك هذا. استخدام الملحقات غير المعتمدة الأخرى قد يؤدي إلى وقوع إصابات شخصية خطيرة أو تلف للممتلكات.

**⚠ تحذير:** لا تقم أبداً بتركيب أي ملحوظ أو خلعه أو تعديله بينما عمود الطاقة المترابك يعمل أو والبطارية قد تم تركيبها. عدم إيقاف المحرك وخلع البطارية قد يؤدي إلى وقوع إصابات شخصية خطيرة. يتم توصيل الملحوظ بعمود الطاقة المترابك عن طريق جهاز توصيل.

1. أوقف المحرك واخلع مجموعة البطارية.
2. فك بكرة الفقل.

3. قم بمحاذاة السهم الموجود على عمود الملحوظ مع السهم الموجود على الوصلة، وادفع عمود الملحوظ في الوصلة إلى أن تسمع صوت «نقرة» واضحة، مع إدخال الوصلة حتى النهاية وصولاً إلى الخط المرجعي بالعمود، بحيث يتم تركيب عمود الملحوظ في مكانه الصحيح. (الشكل B)

الخط المرجعي	B-4	زر تحرير العمود	B-1
بكرة الفقل	B-5	مؤشر المحاذاة	B-2
		علامة سهم	B-3

4. اسحب عمود الملحوظ للتحقق من أنه ثابت بإحكام في الوصلة. إن لم يكن ثابتاً، ادفع عمود الملحوظ في الوصلة إلى أن يثبتك في مكانه الصحيح.
5. اربط بكرة الفقل بإحكام.

**⚠ تحذير:** تأكد من ربط بكرة الفقل حتى النهاية جيداً قبل تشغيل الآلة؛ وتحقق من ربطها بانتظام أثناء الاستخدام لتجنب التعرض لإصابات شخصية خطيرة.

### خلع الملحوظ من عمود الطاقة المترابك

1. أوقف المحرك واخلع مجموعة البطارية.
2. فك بكرة الفقل.

3. اضغط على زر تحرير العمود، وأثناء الضغط على الزر، اسحب عمود الملحوظ لإخراجه من الوصلة.

### تركيب حزام الكتف (الشكل C)

اضغط مع التثبيت على خطاف الشريط لفتحه، ثم ركبها في ثقب الحمل. الآلة مجهزة بأنبوب مترابك يمكن تمديده حتى ٩٦٠ مم (عند التمديد بالكامل).

تستخدم بكرة المشبك في تثبيت الأنبوب المترابك في أي وضع تمديد.

1. لتمديد الأنبوب المترابك، فك بكرة المشبك باتباع أيقونة فك الفقل الخاصة بها. سيبدأ الأنبوب المترابك في الانزلاق بحرية (الشكل D).

علامة الحد الأقصى	D-2	بكرة المشبك	D-1
-------------------	-----	-------------	-----

## بدء/إيقاف تشغيل عمود الطاقة المتراكب

### لبدء تشغيل عمود الطاقة المتراكب

حرك لسان القفل للأمام، واضغط مع التثبيت على الزناد الزنبركي ذي السرعة المتغيرة لتشغيل عمود الطاقة المتراكب. وكلما زدت من الضغط على الزناد الزنبركي ذي السرعة المتغيرة، زادت سرعة ملحق الرأس.

### للإيقاف

اترك الزناد الزنبركي ذي السرعة المتغيرة ولسان القفل.

## الصيانة

**تحذير:** استخدم فقط قطع غيار أصلية عند إجراء أعمال الصيانة. قم بفحص وصيانة الآلة بانتظام. لضمان السلامة والاعتمادية، يجب تنفيذ جميع أعمال الإصلاح من قبل فني خدمة مؤهل.

**تحذير:** قبل فحص الوحدة أو تنظيفها أو صيانتها، أطفئ المحرك، وانتظر إلى أن تتوقف جميع الأجزاء المتحركة، ثم اخلع مجموعة البطارية. لأن عدم اتباع هذه التعليمات قد يؤدي إلى وقوع إصابات شخصية خطيرة أو تلف الممتلكات.

**ملاحظة:** قبل كل استخدام، افحص المنتج بأكمله بحثًا عن الأجزاء التالفة أو المفقودة أو المفكوكة، مثل المسامير الملوية والصواميل والمسامير والأغطية وما شابه. اربط جميع عناصر التثبيت والأغطية بإحكام، ولا تقم بتشغيل هذا المنتج إلا بعد استبدال جميع الأجزاء المفقودة أو التالفة. يُرجى التواصل مع قسم خدمة العملاء أو فني صيانة متخصص.

### الصيانة العامة

تجنب استخدام المنظفات عند تنظيف الأجزاء البلاستيكية. غالبية المكونات البلاستيكية تكون سريعة التأثر بالأشكال المختلفة للمنظفات الموجودة بالسوق، وقد تتلف نتيجة استخدامها عليها. استخدم قطعة قماش نظيفة لإزالة الأوساخ والأتربة والزيت والشحم وما شابههم.

### تنظيف عمود الطاقة المتراكب

1. أوقف المحرك واخلع مجموعة البطارية.
2. نظف الأوساخ والموالِق عن عمود الطاقة المتراكب باستخدام قطعة قماش مبللة مع منظف خفيف.

**ملاحظة:** لا تستخدم أي منظفات قوية على الهيكل البلاستيكي أو المقيض. لأنهم معرضون للتلف بفعل زيوت عطرية معينة، مثل الصنوبر والليمون.

### تخزين عمود الطاقة المتراكب

1. أخرج مجموعة البطارية من عمود الطاقة المتراكب قبل التخزين.
2. تخلص من أي مواد غريبة موجودة على عمود الطاقة المتراكب.
3. يكون تخزين المنتج في مكان لا يمكن الوصول إليه من قبل الأطفال.
4. احتفظ بالمنتج بعيدًا عن المواد المسببة للتآكل مثل كيماويات الحديقة وملح إذابة الجليد.

## حماية البيئة

لا تتخلص من المعدات الكهربائية وشاحن البطارية والبطاريات العادية/البطاريات القابلة لإعادة الشحن في النفايات المنزلية!



## استكشاف الأخطاء وإصلاحها

راجع دليل تشغيل الملحق المستخدم.

## الضمان

### سياسة ضمان EGO

تفضل بزيارة الموقع الإلكتروني [egopowerplus.com](http://egopowerplus.com) للتعرف على الشروط والأحكام الكاملة الخاصة بسياسة ضمان EGO.