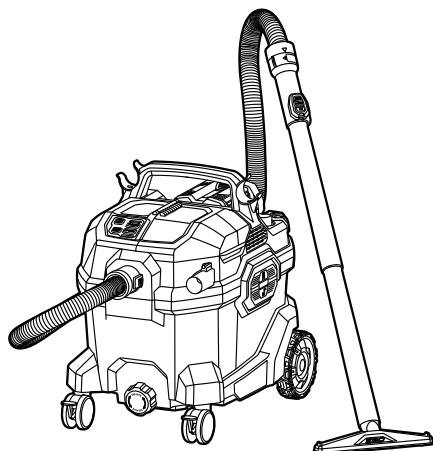


EGO™

POWER⁺ CLEANING

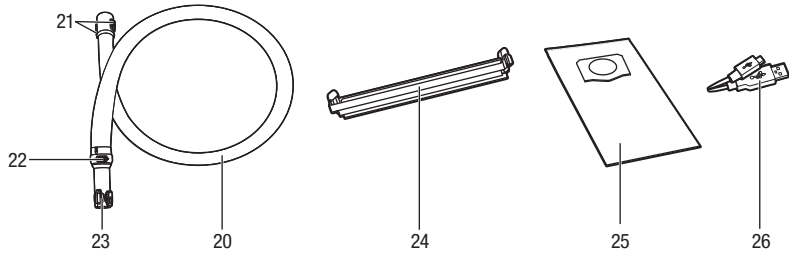
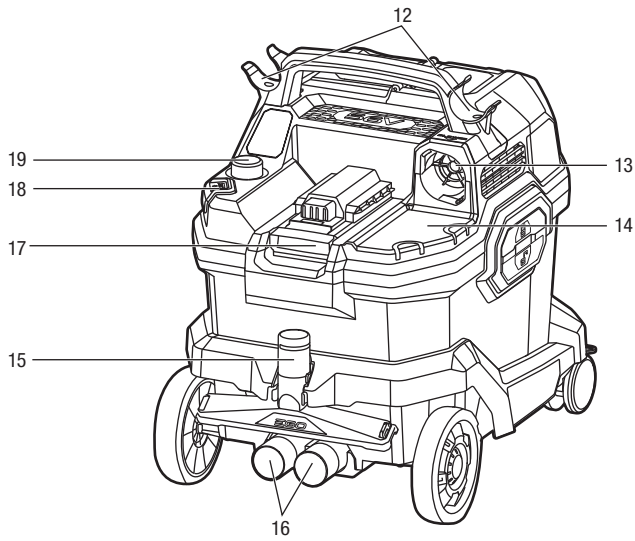
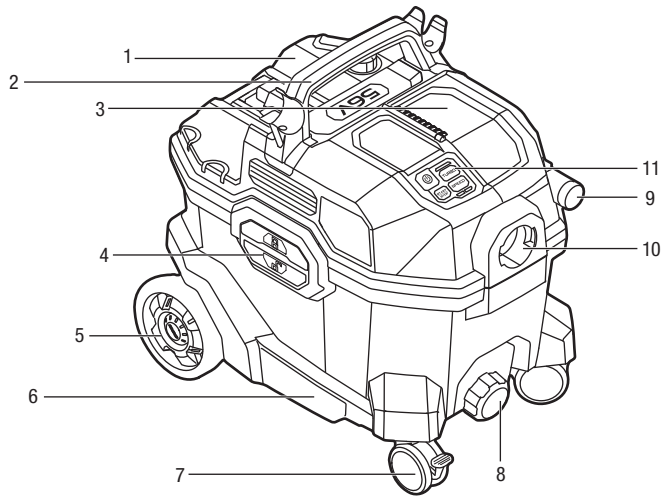


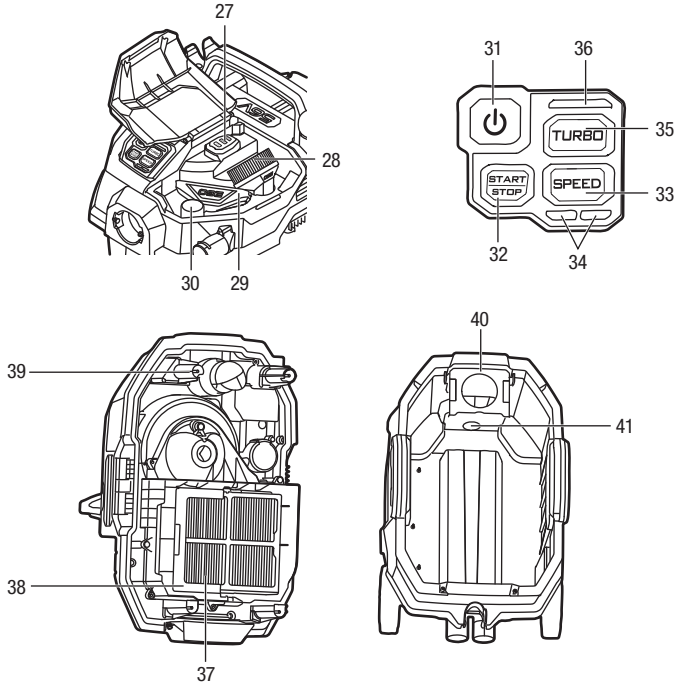
WDV0900E

**56 VOLT LITHIUM-ION
CORDLESS
WET/DRY VACUUM**

EN	56 Volt lithium-ion cordless wet/dry vacuum	7	RO	aspirator cu aspirare umedă/uscată,cu acumulator litiu-ion de 56 de volți	141
DE	56-volt-lithium-ionen-akku-nass/trockensauger	15	SL	56-voltni litij-ionski brezžični mokri/suhi vakuum	149
FR	Aspirateur sec/humide sans fil lithium-ion		LT	56 voltų ličio jonų akumuliatorinis drėgno / sauso valymo dulkių siurblys	157
ES	Aspiradora inalámbrica en húmedo/seco con batería de iones de litio de 56 voltios	24	LV	56 voltu litija-jonu bezvadu mitrās/sausās uzkopšanas puteklisūcējs	165
PT	Aspirador a seco/húmido sem fios com bateria de ião de lítio de 56 volts	33	GR	σκούπα υγρης/ξηρης αναρροφησης μπαταρίας ιοντων λιθιου 56 volt	173
IT	Aspiratore umido/secco cordless li-ion 56 volt	42	TR	56 volt lityum iyon akülü islak/kuru süpürme	182
NL	56 volt lithium-ion accu-allezuiger	51	ET	56 v liitiumioonakuga niiske/kuiv akutolmuimeja	190
DK	batteridrevet våd/tørstøvsuger med 56 volt lithium-ion batteri	60	UK	пилосос для сухого та вологого прибирання з 56-вольтовим літій-іонним акумулятором	198
SE	56 volt litium-jon sladdlös våt-/torrdammsugare	68	BG	56-волтова литиево-йонна безкабелна прахосмукачка за мокро/сухо почистване	207
FI	56 voltin litiumioniakulla toimiva märkä-/kuivaimuri	76	HR	baterijski mokri/suhi usisivač za prašinu s litij-ionskom baterijom od 56 volta	216
NO	56 volt lithium-ion trådløs våt/torr støvsuger	84	KA	56 ვოლტაანი ლითიუმ-იონის უსადენო სველი/მშრალი მტვერსასრუტე	225
RU	беспроводной пылесос для влажной и сухой уборки с литий-ионным аккумулятором 56 в	92	SR	akumulatorski usisivač za mokro/suvo usisavanje s litijum-jonskom baterijom od 56 v	236
PL	odkurzacz akumulatorowy litowo-jonowy 56-wolt do odkurzenia na mokro i na sucho	100	BS	akumulatorski usisivač za mokro/suho usisavanje s litij-ionskom baterijom od 56 v	244
CZ	56voltový lithium-iontový akumulátorový vysavač pro mokré/suché vysávání	109	HE	שואב אבק רטוב/יבש אלחוטי ליתיום-56 וולט	267
SK	56 v litium-iónový akumulátorový vysávač na mokré/suché vysávanie	117	AR	مكنسة كهربائية رطب وجاف لاسلكية بطارية ليثيوم-56 فولت	259
HU	56 v-os lithium-ion akkumulátoros nedves/száraz porszívó	125			
		133			

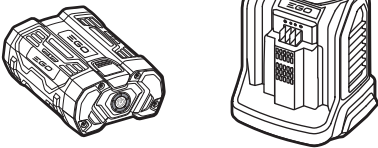
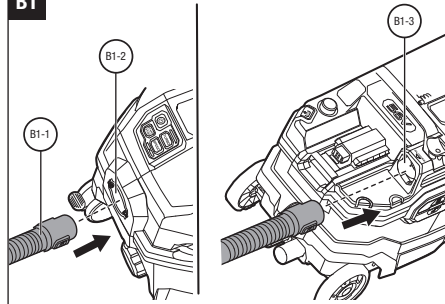
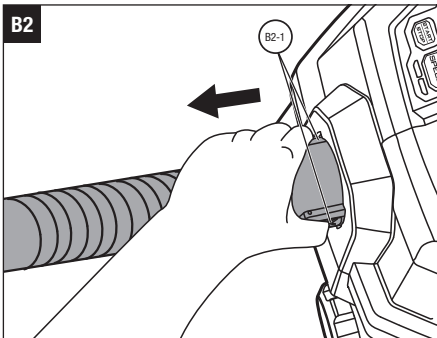
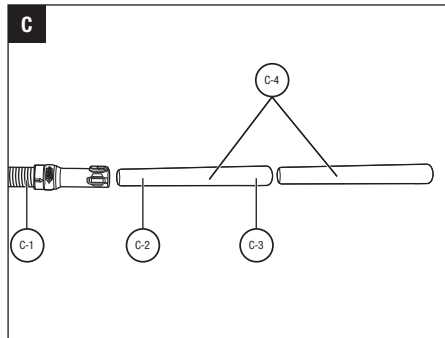
A1

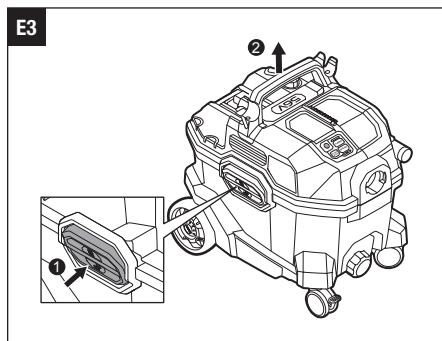
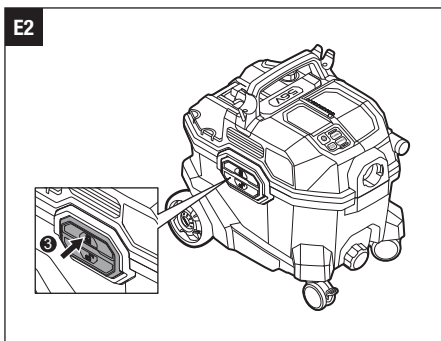
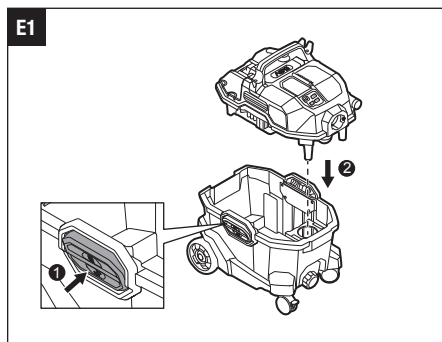
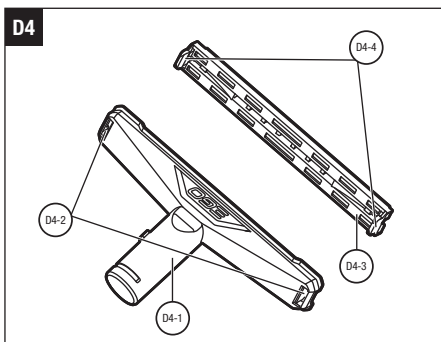
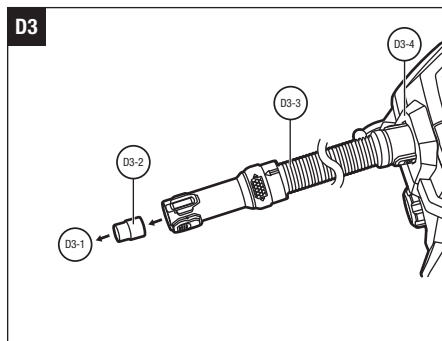
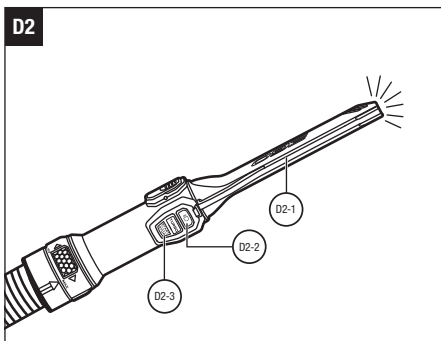
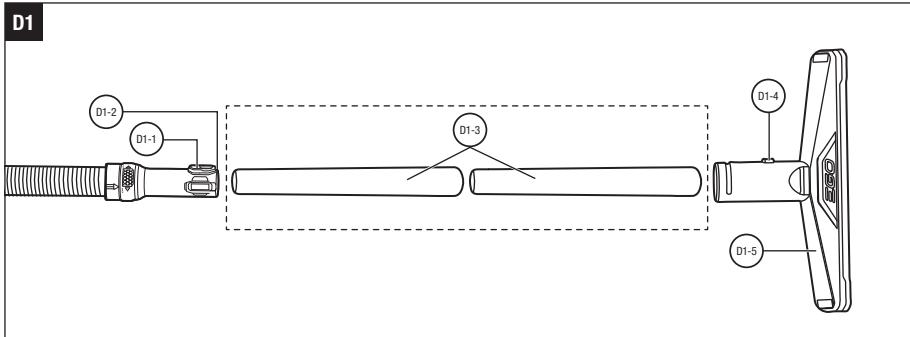


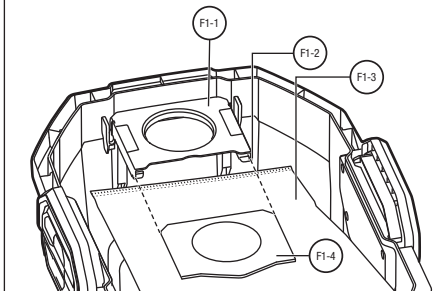
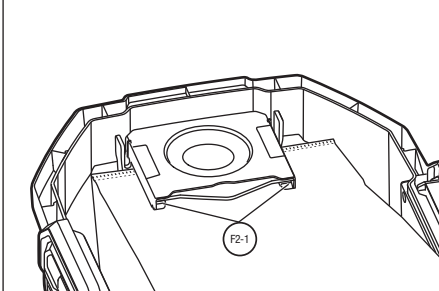
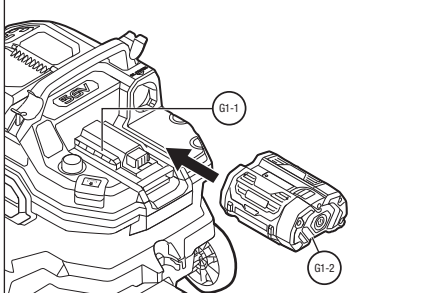
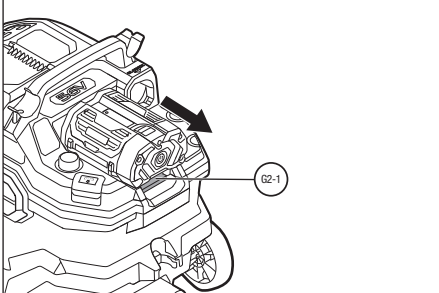
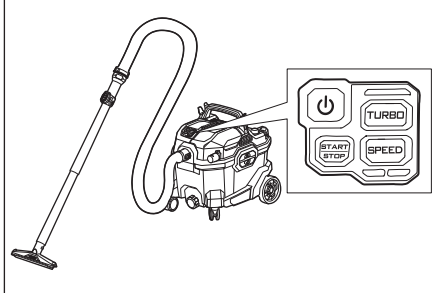
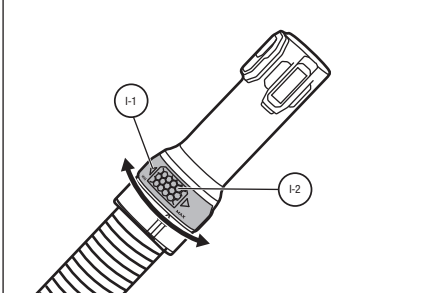
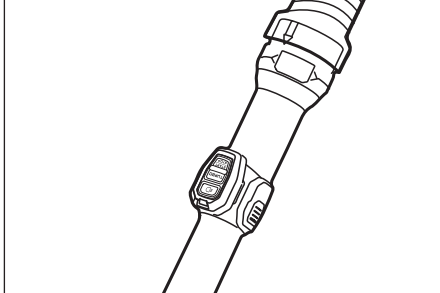
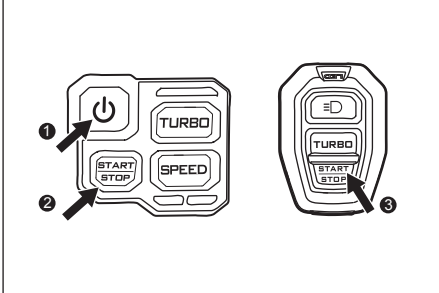
A2**A3**

BA1400, BA1400T,
BA2240T, BA2242T,
BA2800, BA2800T,
BA3360T, BA4200,
BA4200T, BA5600T,
BA6720T

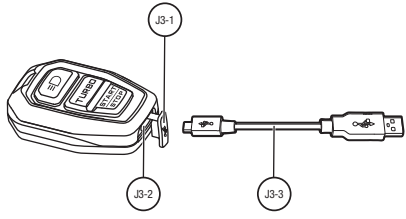
CH2100E,
CH3200E,
CH5500E,
CH7000E,
CH7000E-T

**B1****B2****C**

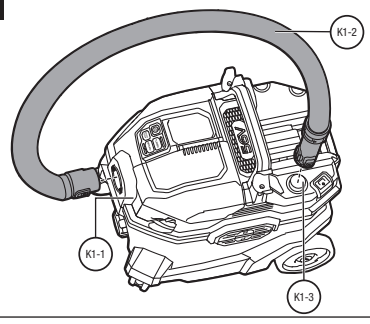


F1**F2****G1****G2****H****I****J1****J2**

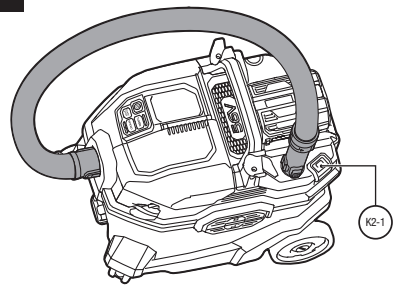
J3



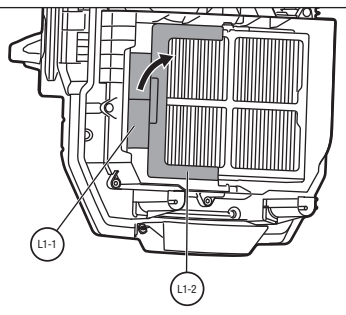
K1



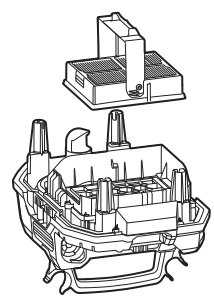
K2



L1



L2



READ ALL INSTRUCTIONS!



READ OPERATOR'S MANUAL

⚠ WARNING: To ensure safety and reliability, all repairs should be performed by a qualified service technician.

SAFETY SYMBOLS

The purpose of safety symbols is to attract your attention to possible dangers. The safety symbols and the explanations with them deserve your careful attention and understanding. The symbol warnings do not, by themselves, eliminate any danger. The instructions and warnings they give are no substitutes for proper accident prevention measures.

⚠ WARNING: Be sure to read and understand all safety instructions in this Operator's Manual, including all safety alert symbols such as "DANGER," "WARNING," and "CAUTION" before using this machine. Failure to follow all instructions listed below may result in electric shock, fire, and/or serious personal injury.

SYMBOL MEANING

⚠ SAFETY ALERT SYMBOL: Indicates **DANGER**, **WARNING**, or **CAUTION**, may be used in conjunction with other symbols or pictographs.

SAFETY INSTRUCTIONS

This page depicts and describes safety symbols that may appear on this product. Read, understand, and follow all instructions on the machine before attempting to assemble and operate.



Safety Alert



To reduce the risk of injury, user must read the operator's manual.



Waste electrical products should not be disposed of with household waste. Take to an authorized recycler.



Direct Current



This product is in accordance with applicable EC directives.



UK Conformity Assessed

IPX4 Protection from splashing water

L Liter

kg Kilogram

V Volt

°C Celsius

L/min Liter pre minute

Pa Pascal


⚠ WARNING: Read and understand all instructions. Failure to follow all instructions listed below may result in electric shock, fire and/or serious personal injury.

This appliance is not intended for use by persons (including children) with reduced physical, sensory or mental capabilities, or lack of experience and knowledge, unless they have been given supervision or instruction concerning use of the appliance by a person responsible for their safety.

- Children should be supervised to ensure that they do not play with the appliance.
- Do not expose the appliance or battery to excessive temperatures.
- Be aware of the risk of terminals of the battery-operated appliance or battery being short-circuited by metal objects.
- Rechargeable batteries are to be removed from the appliance before being charged.
- Different types of batteries or new and used batteries are not to be mixed.
- Exhausted batteries are to be removed from the appliance and safely disposed of.
- If the appliance is to be stored unused for a long period, the batteries should be removed.
- Do not use non-rechargeable batteries in place of rechargeable batteries.
- Do not use modified or damaged batteries.
- **Use only with the specified battery packs and chargers**

Save these instructions. Refer to them frequently and use them to instruct others who may use this machine. If you lend someone this machine, lend them these instructions also to prevent misuse of the product and possible injury.

SPECIFICATIONS

Voltage		56 V 		
Dust Tank Capacity		34 L		
Speed Mode		Low	High	TURBO
Max. Air Flow (L/min)		1900	2500	3100
Max. Suction Power (Pa)		10000	15900	24800
Remote Control	Charging Temperature	0°C - 45°C		
	Max. Charging Voltage	5 V		
	Max. Charging Current	1 A		

Weight (Without battery pack)	12.1 kg
Recommended Operating Temperature	-5°C - 40°C
Recommended Storage Temperature	-20°C - 70°C

PACKING LIST (FIG. A1 & A2)

RECOMMENDED ACCESSORIES

⚠ WARNING: Use only accessories listed below. Use of accessories that do not meet the original equipment specifications may lead to improper performance and compromised safety.

PART NAME	MODEL NUMBER
Dust Bags (5 pcs)	AVG0905
Replacement Filter	AVF0900

DESCRIPTION

KNOW YOUR WET/DRY VACUUM (FIG. A1 & A2)

1. Power Head Assembly
2. Handle
3. Accessory Storage Compartment
4. Dust Tank Latch (x2)
5. Rear Wheel (x2)
6. Dust Tank
7. Caster Wheel with Brake (x2)
8. Drain Port Cap
9. Crevice Nozzle
10. Suction Inlet Port
11. Operator Panel
12. Vacuum Hose Storage Slots
13. Blowing Outlet Port
14. Accessory Temporary Storage
15. Large Floor Nozzle + Brush Bar
16. Extension Tubes
17. Battery-Release Button
18. Filter Self-Cleaning Button
19. Filter Self-Cleaning Plug
20. Vacuum Hose
21. Hose-Release Button
22. Suction Regulator
23. Remote-Control Mount
24. Rubber Bar
25. Dust Bag

- 26. Charging Cable for Remote Control
- 27. Remote Control
- 28. Round Dust Brush Nozzle
- 29. Compact Floor Nozzle
- 30. Power-Tool Adapter
- 31. Power Button
- 32. Start/Stop Button
- 33. Speed Button
- 34. Speed Indicator
- 35. TURBO Button
- 36. TURBO Indicator
- 37. Filter
- 38. Filter Bracket
- 39. Liquid Sensor (x4)
- 40. Dust Bag Bracket
- 41. Drain Port

ASSEMBLY

CONNECTING/DISCONNECTING THE VACUUM HOSE

To connect, push the end of the hose into the suction inlet port or the blowing outlet port until you hear a “click” (Fig. B1).

To disconnect, press and hold the hose-release buttons to remove the hose (Fig. B2).

B1-1	Vacuum Hose	B1-2	Suction Inlet Port
B1-3	Blowing Outlet Port	B2-1	Hose-Release Buttons

CONNECTING/DISCONNECTING THE EXTENSION TUBES (FIG. C)

Connect one or two extension tubes to the vacuum hose according to your needs.

To connect, insert the narrow end of the extension tube into the vacuum hose as far as you can until the extension tube is secured in place.

To disconnect, pull the extension tube from the vacuum hose.

The second extension tube is connect/disconnected to the first tube in the same fashion.

C-1	Vacuum Hose	C-2	Narrow End
C-3	Wide End	C-4	Extension Tubes

INSTALLING/REMOVING THE NOZZLES

Choose a suitable nozzle to install onto the vacuum hose directly or onto the extension tube according to your needs (Fig. D1)

- To connect the nozzle to the extension tube, insert the nozzle into the extension tube as far as you can until it

is secured in place. To disconnect, pull the nozzle from the extension tube.

- To connect the nozzle to the vacuum hose directly, align the knob on the nozzle with the groove in the vacuum hose, insert the nozzle into the vacuum hose until you hear a “click”. To disconnect, press and hold the release button to remove the nozzle.

D1-1	Release Button	D1-2	Groove
D1-3	Extension Tubes (Optional)	D1-4	Knob
D1-5	Nozzle		

Crevice Nozzle (Fig. D2)

The dark areas could be easily cleaned when using the crevice nozzle combined with the integrated light of the remote control.

Connect the crevice nozzle to the vacuum hose and snap the remote control onto the remote-control mount on the vacuum hose. Press the light button on the remote control and the transparent crevice nozzle will light up.

D2-1	Crevice Nozzle	D2-2	Light Button
D2-3	Remote Control		

Power-Tool Adapter (Fig. D3)

The power-tool adapter allows the vacuum to connect to a power tool with 32 mm dust outlet.

With the vacuum hose connected to the suction inlet port of the vacuum, insert the power-tool adapter into the vacuum as far as you can until the power-tool adapter is secured in place and then connect the adapter to the dust outlet of the power tool.

⚠ WARNING: The power-tool adapter cannot be connected to the extension tube(s). Forcing the installation may cause damage for the power-tool adapter or the extension tube(s).

D3-1	Power Tool (not provided)	D3-2	Power-Tool Adapter
D3-3	Vacuum Hose	D3-4	Suction Inlet Port

Large Floor Nozzle + Brush Bar/Rubber Bar (Fig. D4)

The large floor nozzle could be combined with the brush bar or the rubber bar.

Slightly open both ends of the bar and depress the ends down to remove the bar from the nozzle.

To install the bar, push the ends of the bar into the holes of the nozzle until you hear a "click".

D4-1	Large Floor Nozzle	D4-2	Holes of Nozzle
D4-3	Rubber Bar	D4-4	Ends of Bar

INSTALLING/REMOVING THE POWER HEAD ASSEMBLY

To install, push the lower parts of the dust tank latches, lower the power head assembly onto the dust tank, and then push the upper parts of the dust tank latches (Fig. E1 & E2).

To remove, push the lower parts of the dust tank, and then lift the power head assembly (Fig. E3).

INSTALLING/REMOVING THE DUST BAG

1. Unlock the dust tank and lift the power head assembly.
2. **To install**, insert only the plate of the dust bag into the slot of the dust bag bracket until the plate falls down the ribs. Unfold the dust bag manually before collecting dust or debris (Fig. F1).
To remove, slightly lift the plate over the ribs and then pull the plate from the slot to remove the dust bag (Fig. F2).

F1-1	Dust Bag Bracket	F1-2	Slot
F1-3	Dust Bag	F1-4	Plate
F2-1	Ribs		

OPERATION

APPLICATION

You may use this product for the purposes listed below:

- Sucking in liquid waste or dry dust when the suction inlet port is used.
- Functioning as a blower when the blowing outlet port is used.

ATTACHING/DETACHING THE BATTERY PACK

Use only with EGO's battery packs and chargers listed in Fig. A3.

Refer to corresponding battery packs and chargers manuals for more details.

Fully charge before first use.

To attach

Align the battery ribs with the mounting slots and slide the battery pack onto the vacuum until you hear a "click" (Fig. G1).

To detach

Depress the battery-release button and pull the battery pack out (Fig. G2).

G1-1	Mounting Slot	G1-2	Rib
G2-1	Battery-Release Button		

STARTING/STOPPING THE WET/ DRY VACUUM (FIG. H)

To Start the Vacuum

1. Verify that power head assembly is installed onto the dust tank and the dust tank is securely locked. Ensure that the vacuum hose, required extension tube(s), and nozzle are connected properly.

NOTE: The vacuum runs only when the power head assembly is securely attached to the dust tank.

2. Install the battery pack.
3. Press the power button to power up the vacuum.
4. Press the speed adjustment button to select low speed or high speed, and then press the start/stop button to start the vacuum. Or, press the TURBO button to start the vacuum directly at maximum speed.

NOTE: The speed can also be adjusted during vacuuming. For more information refer to the chapter "SPEED SELECTION".

To Stop the Vacuum

1. Once the vacuuming is completed or when the dust tank is full, press the start/stop button to stop the vacuum temporarily.
2. Or press the power button to power down the vacuum completely.
3. Remove the battery pack.
4. Empty the dust tank into a suitable receptacle or drain.

NOTE: The vacuum will resume the previously active regular speed setting when restarting.

Power Button Indicator

Power Button Indicator	Meaning	Action
Solid green	Standby	No actions required. The vacuum will turn off automatically after 1 hour of inactivity
	The machine runs properly.	Normal operation.
Flashing green 6 times, then shuts off.	Liquid level in the tank reaches the bottom tip of the liquid sensors	Stop the vacuum, remove the battery pack, and then empty the tank referring to the emptying instruction.
Flashing green continuously	Electronics error	Contact EGO customer service for help

SPEED SELECTION
Regular Speed Mode

- Every time the speed adjustment button is pressed, the speed will toggle between low level and high level. The speed indicator displays green lights corresponding to the current speed level.
- The vacuum will save the last speed setting and will revert to it upon restart.

TURBO MODE

- Press the TURBO button, the TURBO indicator will light up green and the vacuum will start working directly at TURBO speed, i.e. the highest speed.
- When in TURBO mode, press TURBO button again, or press the speed adjustment button, the start/stop button, or the power button – the TURBO indicator will turn off and the vacuum will exit TURBO mode.

NOTE: After exiting TURBO mode, the vacuum will resume previously active regular speed.

SUCTION REGULATOR (Fig. I)

When vacuuming, the air flow at the end of the vacuum hose can be controlled by turning the suction regulator. Turn the regulator to expose the air outlet to decrease the suction, or turn the regulator to cover the air outlet to increase the suction.

This feature is especially useful when the vacuum hose is sealed by carpets, cloths, etc. during suction, turn the regulator to expose the air outlet, the suction will be decreased.

I-1	Suction Regulator	I-2	Air Outlet
-----	-------------------	-----	------------

REMOTE CONTROL

- The remote control could be positioned on the vacuum hose during vacuuming (Fig. J1).
- When the vacuum is powered on, you may start/stop the vacuum, or switch the machine into TURBO mode by using the remote control.

NOTE: The remote control cannot switch between regular low or high speed.

- The remote control can also be used as a flashlight for dark areas, especially when using the crevice nozzle.

Remote Control Pairing (Fig. J2)

The remote control was paired with the vacuum at the factory. However, in cases when the remote control is damaged or lost, follow below steps to pair your new remote control with the vacuum.

1. Install the battery pack.
2. Press the power button to power up the vacuum.
3. Long-press the start/stop button on the vacuum until the power button indicator flashes green slowly.
4. Press the TURBO button or the start/stop button on the remote control as soon as the power button indicator starts flashing green slowing.
5. The power button indicator will flash green fast and then shine solid green to indicate the pairing was successful.

Remote Control Indicator

Remote Control Indicator	Meaning	Action
Flashing green fast	The remote control battery charge is nearly depleted.	Charge the remote control.
Flashing green slowly	The remote control is charging.	No action needed.
Solid green	The charging of the remote control is complete.	Disconnect the remote control and charging cable from power supply.

NOTE: During normal operation, the remote control indicator will light one time and then turn off when the TURBO button or the start/stop button is pressed once.

Recharging the Remote Control (Fig. J3)

Periodically the battery inside the remote control will need to be recharged.

⚠ WARNING: For this rechargeable Li-ion battery inside the remote control, please be aware of below:

- Risk of fire and burns.
 - Do not open, crush, heat above 60°C or incinerate.
 - Do not short circuit.
 - If bulges severely, discontinue use.
1. Open the USB-C port cover.
 2. Connect the USB-C end of the included charging cable to the USB-C port in the remote control.
 3. Connect the other end of the charging cable to a compatible USB power adapter/charger (not included). It may take up to 2h to charge a fully discharged battery.
 4. When finished charging, disconnect the charging cable and close the USB-C port cover to protect the USB-C port from contamination.

J3-1	USB-C Port Cover	J3-2	USB-C Port
J3-3	Charging Cable		

WORKING WITH THE VACUUM

Wet Vacuuming Operation

- Do not use the dust bag during wet vacuuming operation.
- Turn off the vacuum immediately when the dust tank is full. Empty the dust tank into a suitable receptacle or drain.
- Clean the interior of the dust tank, the filter, and accessories periodically, more often when used to pick up wet, sticky materials.

Dry Vacuuming Operation

- Make sure the filter is completely dry after wet vacuuming or use a second dry filter for dry vacuuming. Damp or wet filters will get clogged with dust or get moldy.
- To reduce exposure to silica dust, use dust bag.
- Turn off the vacuum immediately when the dust bag or dust tank is full.
- Empty the dust tank into a suitable receptacle or drain.

Blower Operation

⚠ WARNING: Always wear eye protection when using this machine as a blower.

⚠ WARNING: Do not blow flammable or combustible materials, such as gasoline, or use in areas where such materials may be present. Fire could result.

⚠ WARNING: Do not direct the airflow in the direction of people or pets.

MAINTENANCE

⚠ WARNING: To prevent serious personal injury, remove the battery pack from the product before servicing, cleaning, changing attachments, or removing material from the unit.

GENERAL MAINTENANCE

Avoid using solvents when cleaning plastic parts. Most plastics are susceptible to damage from various types of commercial solvents and may be damaged by their use. Use a clean cloth to remove dirt, dust, oil, grease, etc.

⚠ WARNING: Do not at any time allow brake fluids, gasoline, petroleum-based products, penetrating oils, etc. to come in contact with plastic parts. Chemicals can damage, weaken or destroy plastic which may result in serious personal injury.

⚠ WARNING: To reduce the risk of fire, personal injury, and product damage due to a short circuit, never immerse your machine, battery pack or charger in fluid or allow a fluid to flow inside them. Corrosive or conductive fluids, such as seawater, certain industrial chemicals, and bleach or bleach containing products, etc., can cause a short circuit.

EMPTYING THE DUST TANK

1. Remove the drain port cap to empty liquid in the dust tank into a suitable receptacle or drain, if available.
2. Remove the power head assembly from the dust tank.
3. Remove the dust bag if the dust bag is installed.
4. Clear all dirt or debris from the dust tank and clean with mild soap and water.
5. Allow the dust tank to dry before reassembling the power head assembly.

FILTER MAINTENANCE

Filter Self-Cleaning System

1. Connect the vacuum hose to the suction inlet port of the vacuum and install the other end of the hose onto the filter self-cleaning plug (Fig. K1).
2. Install the battery pack, press the power button to power on the machine.
3. Select desired speed mode and press the start/stop button to turn on the machine.
4. Press the filter self-cleaning button to clean the filter (Fig. K2).

TIPS: To achieve the best cleaning effect, it is recommended to select TURBO mode and press the filter self-cleaning button five times and hold for 3 seconds each time.

K1-1	Suction Inlet Port	K1-2	Vacuum Hose
K1-3	Filter Self-cleaning Plug	K2-1	Filter Self-Cleaning Button

Washing the Filter

Remove the battery pack and examine the filter by lifting the power head assembly. If the filter is still dirty after following the steps in the section “**Filter Self-cleaning System**”, remove the filter and rinse it in cold water. Allow the filter to dry completely and reinstall it.

Replacing the Filter (Fig. L1 & Fig. L2)

⚠ WARNING: Check the filter periodically and replace if worn out or damaged. Using damaged filter can lead to release of unwanted airborne contaminants from the canister.

1. Lift the power head assembly and put it to one side (Fig. L1).
2. Unfold the handle of the filter bracket and pull the bracket with the filter out (Fig. L2).
3. Use a moist piece of cloth to remove any dust and debris from the filter area.
4. Install a new or cleaned filter into the bracket.
5. Place the bracket into the filter area and fold the handle.

L1-1	Handle	L1-2	Filter Bracket
------	--------	------	----------------

STORING THE VACUUM

1. Remove the battery pack from the vacuum.
2. Clean the vacuum thoroughly before storing it.
3. Store the vacuum in a dry, well-ventilated area, locked-up or up high, out of the reach of children. Do not store the vacuum on or adjacent to fertilizers, gasoline, or other chemicals.

PROTECTING THE ENVIRONMENT



Do not dispose of electrical equipment, used battery and charger into household waste! Take this product to an authorized recycler and make it available for separate collection. Electric tools must be returned to an environmentally compatible recycling facility.

TROUBLESHOOTING

PROBLEM	CAUSE	SOLUTION
The vacuum fails to start.	<ul style="list-style-type: none"> ■ Battery pack charge is low. ■ Battery pack is not installed properly. 	<ul style="list-style-type: none"> ■ Charge the battery pack. ■ Slide the battery pack onto the vacuum until it snaps into position.
Vacuum power is weak	<ul style="list-style-type: none"> ■ There is a blockage in the vacuum hose or the suction inlet. ■ The filter is clogged by fine dust. ■ The dust tank is full. ■ Battery pack charge is low. ■ The drain port cap is removed from the dust tank. 	<ul style="list-style-type: none"> ■ Check and clear the blockage in the vacuum hose or the suction inlet. ■ Clean the filter following the section "FILTER MAINTENANCE" in this manual. ■ Empty the dust tank. ■ Charge the battery pack ■ Install the drain port cap onto the dust tank.
The machine is running but there is no suction.	<ul style="list-style-type: none"> ■ The power head assembly is not installed onto dust tank completely. 	<ul style="list-style-type: none"> ■ Ensure the power head assembly is installed onto the dust tank completely.
Dust escapes from the blowing outlet port.	<ul style="list-style-type: none"> ■ Filter is missing or installed incorrectly. ■ Filter is damaged. 	<ul style="list-style-type: none"> ■ Check the filter for correct installation. ■ Replace with a new filter.
The vacuum cannot be controlled through the remote control.	<ul style="list-style-type: none"> ■ The remote control is not paired with the vacuum. ■ The remote control charge is low. ■ The remote control is damaged. 	<ul style="list-style-type: none"> ■ Pair the remote control with the vacuum following the chapter "Remote Control Pairing" in this manual. ■ Charge the remote control. ■ Use a new remote control and perform the remote control pairing.

WARRANTY
EGO WARRANTY POLICY

Please visit the website egopowerplus.eu for full terms and conditions of the EGO Warranty policy.

LESEN SIE ALLE ANWEISUNGEN!

DE



LESEN SIE DIE BETRIEBSANLEITUNG

⚠️ WARNUNG: Um die Sicherheit und Zuverlässigkeit zu gewährleisten, sollten alle Reparaturen nur von qualifizierten Servicetechnikern durchgeführt werden.

WARNSYMBOL

Der Zweck von Warnsymbolen besteht darin, Ihre Aufmerksamkeit auf mögliche Gefahren zu lenken. Die Warnsymbole und deren Erklärungen verdienen Ihre vollste Aufmerksamkeit und Beachtung. Durch die Warnsymbole allein sind die Gefahren noch nicht ausgeschaltet. Die Anweisungen und Warnhinweise stellen keinen Ersatz für angemessene Unfallverhütungsmaßnahmen dar.

⚠️ WARNUNG: Vor der Benutzung des Geräts sollten Sie alle Sicherheitshinweise in dieser Betriebsanleitung gelesen und verstanden haben. Das gilt auch für die Hinweise „**GEFAHR**“, „**WARNUNG**“ und „**VORSICHT**“. Die Nichtbeachtung der aufgeführten Hinweise kann zu Stromschlägen, Bränden und/oder schweren Verletzungen führen.

SYMBOLBEDEUTUNG

⚠️ WARNSYMBOL: Weist auf **GEFAHR**, **WARNUNG** oder **VORSICHT** hin und kann mit anderen Symbolen oder Piktogrammen zusammen verwendet werden.

SICHERHEITSHINWEISE

Auf dieser Seite werden die Warnsymbole vorgestellt und beschrieben, die sich unter Umständen an dem Gerät befinden. Vor dem Zusammenbau und der Inbetriebnahme müssen sämtliche Anweisungen am Gerät gelesen und genau befolgt werden.



Sicherheitshinweis



Um das Verletzungsrisiko zu verringern, muss der Benutzer die Bedienungsanleitung lesen.



Elektrische Altgeräte dürfen nicht im Hausmüll entsorgt werden. Bringen Sie das Gerät zu einer offiziellen Recycling-Annahmestelle.



Gleichstrom



Dieses Produkt erfüllt die einschlägigen CE-Richtlinien.



GB-Konformität beurteilt

IPX4 Schutz vor Spritzwasser

L Liter

kg Kilogramm

V Volt

°C Celsius

l/min Liter pro Minute

Pa Pascal


⚠️ WARNUNG: Lesen und befolgen Sie alle Anweisungen. Die Nichtbeachtung der unten angeführten Anweisungen kann zu Stromschlägen, Feuer und/oder schweren Verletzungen führen.

Dieses Gerät ist nicht für die Benutzung durch Personen (einschließlich Kindern) mit eingeschränkten körperlichen, sensorischen oder geistigen Fähigkeiten oder Personen, denen es an Erfahrung und Fachkenntnissen mangelt, vorgesehen; es sei denn, sie werden von einer für deren Sicherheit verantwortlichen Person beaufsichtigt und in die Benutzung des Gerätes eingewiesen.

- Kinder sollten beaufsichtigt werden, um sicherzustellen, dass sie nicht mit dem Gerät spielen.
- Setzen Sie das Gerät oder den Akku keinen übermäßigen Temperaturen aus.
- Seien Sie sich die Gefahr bewusst, dass die Kontakte des akkubetriebenen Geräts oder des Akkus durch Metallgegenstände kurzgeschlossen werden können.
- Wiederaufladbare Batterien sind vor dem Aufladen aus dem Gerät zu nehmen.
- Verschiedene Batterietypen oder neue und gebrauchte Batterien dürfen nicht gemischt werden.
- Leere Batterien müssen aus dem Gerät genommen und sicher entsorgt werden.
- Wenn das Gerät über einen längeren Zeitraum unbenutzt gelagert werden soll, müssen die Akkus herausgenommen werden.
- Verwenden Sie keine nicht wiederaufladbaren Batterien anstelle von wiederaufladbaren Batterien.
- Verwenden Sie keine modifizierten oder beschädigten Batterien.
- **Nur mit den angegebenen Akkus und Ladegeräten verwenden**

Heben Sie diese Anleitung auf. Schlagen Sie gegebenenfalls darin nach und verwenden Sie sie, um andere in die Verwendung dieser Maschine einzuweisen. Falls Sie diese Maschine an andere verleihen, händigen Sie ihnen auch diese Anleitung aus, um einem Missbrauch des Geräts und möglichen Verletzungen vorzubeugen.

TECHNISCHE DATEN

Spannung	56 V 		
Staubbehältervolumen	34 l		
Leistungsstufen	Niedrig	Hoch	TURBO
Max. Luftstrom (L/min)	1900	2500	3100
Max. Saugleistung (Pa)	10000	15900	24800

Fernbedienung	Ladetemperatur	0°C - 45°C
	Max. Ladespannung	5 V
	Max. Ladestrom	1 A
Gewicht (ohne Akku)		12,1 kg
Empfohlene Betriebstemperatur		-5°C - 40°C
Empfohlene Lagertemperatur		-20°C bis 70°C

LIEFERUMFANG (ABB. A1 & A2)

EMPFOHLENES ZUBEHÖR

⚠️ WARNUNG: Verwenden Sie nur das unten aufgeführte Zubehör. Die Verwendung von Zubehör, das die technischen Voraussetzungen in Erstausrüsterqualität nicht erfüllt, kann zu Beeinträchtigungen bei der Geräteleistung und -sicherheit führen.

BEZEICHNUNG DER TEILE	MODELLNUMMER
Staubbeutel (5 Stück)	AVG0905
Ersatzfilter	AVF0900

BESCHREIBUNG

AUFBAU DES NASS/TROCKEN-SAUGERS (ABB. A1 & A2)

1. Antriebseinheit
2. Griff
3. Staufach für Zubehör
4. Staubbehälterverriegelung (x2)
5. Hinterrad (x2)
6. Staubbehälter
7. Laufrad mit Bremse (x2)
8. Verschluss der Ablassöffnung
9. Fugendüse
10. Ansaugstutzen
11. Bedienfeld
12. Saugschlauchhalteklammern
13. Druckluftauslass
14. Vorübergehende Ablage für Zubehör
15. Große Bodendüse + Bürstenleiste
16. erlängerungsrohre
17. Akku-Entriegelung
18. Filter-Selbstreinigungstaste

19. Verschluss für Filter-Selbstreinigung
20. Saugschlauch
21. Schlauchentriegelung
22. Saugkraftregler
23. Halterung für Fernbedienung
24. Gummileiste
25. Staubbeutel
26. Ladekabel für Fernbedienung
27. Fernbedienung
28. Runder Staubbürstenaufsatz
29. Kompakt-Bodendüse
30. Elektrowerkzeug-Adapter
31. Hauptschalter
32. Start/Stopp-Taste
33. Leistungswählschalter
34. Leistungsstufenanzeige
35. TURBO-Taste
36. TURBO-Anzeige
37. Filter
38. Filter-Halterung
39. 3Flüssigkeitssensor (x4)
40. Staubbeutelhalterung
41. Ablassöffnung

MONTAGE

MONTIEREN/ABMONTIEREN DES SAUGSCHLAUCHS

Zum Montieren drücken Sie das Schlauchende in den Ansaugstutzen oder den Druckluftauslass, bis es hörbar "einrastet" (Abb. B1).

Zum Abmontieren halten Sie die Schlauchentriegelungen gedrückt, um den Schlauch abzuziehen (Abb. B2).

B1-1	Saugschlauch	B1-2	Ansaugstutzen
B1-3	Druckluftauslass	B2-1	Schlauchentriegelungen

MONTIEREN/ABMONTIEREN DER ROHRVERLÄNGERUNGEN (ABB. C)

Nach Bedarf können Sie den Saugschlauch mit einem oder zwei Rohrstücken verlängern.

Zum Montieren stecken Sie das schmale Ende des Verlängerungsrohrs in den Saugschlauch, bis es am Anschlag fest sitzt.

Zum Abmontieren ziehen Sie das Verlängerungsrohr vom Saugschlauch ab.

Das zweite Verlängerungsrohr wird auf die gleiche Weise mit dem ersten Rohr verbunden/getrennt.

C-1	Saugschlauch	C-2	Schmale Seite
C-3	Breite Seite	C-4	Verlängerungsrohre

ANBRINGEN/ABZIEHEN DER DÜSENAUFSÄTZE

Je nach Bedarf können Sie einen geeigneten Düsenaufsatz direkt am Saugschlauch oder auch an den Verlängerungen montieren (Abb. D1)

- Zum Montieren des Düsenaufsatzes am Verlängerungsrohr schieben Sie den Aufsatz so weit wie möglich in das Verlängerungsrohr, bis er fest sitzt. Zum Abmontieren ziehen Sie den Aufsatz vom Verlängerungsrohr ab.
- Um den Aufsatz direkt mit dem Saugschlauch zu verbinden, bringen Sie den Knauf am Düsenaufsatz und die Nut am Saugschlauch in die flucht. Führen Sie den Düsenaufsatz nun in den Saugschlauch ein, bis er hörbar "einrastet". Zum Trennen halten Sie die Entriegelung gedrückt und ziehen Sie den Düsenaufsatz ab.

D1-1	Entriegelung	D1-2	Nut
D1-3	Verlängerungsrohre (optional)	D1-4	Knauf
D1-5	Düsenaufsatz		

Fugendüse (Abb. D2)

In Kombination mit der Leuchte in der Fernbedienung lassen sich mit der Fugendüse dunkle Bereiche leicht reinigen.

Montieren Sie die Fugendüse am Saugschlauch und klinken Sie die Fernbedienung in die Halterung am Saugschlauch ein. Drücken Sie den Lichtschalter auf der Fernbedienung. Die durchsichtige Fugendüse strahlt nun Licht aus.

D2-1	Fugendüse	D2-2	Lichtschalter
D2-3	Fernbedienung		

Werkzeugadapter (Abb. D3)

Mit dem Werkzeugadapter kann das Gerät an ein Elektrowerkzeug mit 32 mm Staubabscheidung angeschlossen werden.

Lassen Sie den Saugschlauch am Ansaugstutzen des Geräts angeschlossen und führen Sie den Werkzeugadapter so weit wie möglich in den Staubsauger ein, bis er fest sitzt. Verbinden Sie den Adapter dann mit dem Absauganschluss des Elektrowerkzeugs.

⚠️ WARNUNG: Der Werkzeugadapter kann nicht an die Verlängerungsrohre angeschlossen werden. Wenn Sie es dennoch versuchen, kann der Werkzeugadapter oder das Verlängerungsrohr beschädigt werden.

D3-1	Elektrowerkzeug (nicht mitgeliefert)	D3-2	Werkzeugadapter
D3-3	Saugschlauch	D3-4	Ansaugstutzen

Große Bodendüse + Bürstenleiste/Gummileiste (Abb. D4)

Die große Bodendüse kann mit der Bürstenleiste oder der Gummileiste kombiniert werden.

Weiten Sie die Leiste auf beiden Seiten etwas auf und drücken Sie sie nach unten. Die Leiste kann nun vom Düsenaufsatz abgenommen werden.

Zum Montieren schieben Sie die Leiste auf beiden Seiten in die Öffnungen des Düsenaufsatzes hinein, bis die Leiste hörbar "einrastet".

D4-1	Große Bodendüse	D4-2	Öffnungen im Düsenaufsatz
D4-3	Gummileiste	D4-4	Leistenseiten

MONTIEREN/ABMONTIEREN DES ANTRIEBS

Zum Montieren betätigen Sie die Rastnasen im unteren Bereich der Staubbehälterverschlüsse. Setzen Sie danach den Antrieb auf den Staubbehälter ab und klappen Sie die Staubbehälterverschlüsse hoch (Abb. E1 & E2).

Zum Abmontieren drücken Sie auf die unteren Entriegelungen am Staubbehälter und nehmen Sie den Antrieb ab (Abb. E3).

EINSETZEN/ENTNEHMEN DES STAUBBEUTELS

1. Entriegeln Sie den Staubbehälter und montieren Sie den Antrieb ab.
2. **Zum Einbau** führen nur die flache Seite des Staubbeutel in die Schienen der Staubbeutelhalterung ein, bis die flache Seite von den Rippen erfasst wird. Falten Sie den Staubbeutel von Hand auf, bevor Sie damit Staub oder Schmutz aufnehmen (Abb. F1).

Zum Ausbau schieben Sie die flache Beutelseite leicht über die Rippen der der Halterung. Der Staubbeutel kann anschließend herausgezogen werden (Abb. F2).

F1-1	Staubbeutelhalterung	F1-2	Schienen
F1-3	Staubbeutel	F1-4	Flache Seite des Beutels
F2-1	Rippen		

BETRIEB

VERWENDUNGSZWECK

Sie können dieses Produkt für die unten aufgeführten Zwecke einsetzen:

- Aufnehmen von flüssigen Rückständen oder von trockenem Staub durch Verwendung des Ansaugstutzens.
- Bei Einsatz des Druckluftauslasses Verwendung als Gebläse.

ANBRINGEN/ABNEHMEN DES AKKUS

Verwenden Sie nur die in Abb. A3 aufgeführten EGO Akku und Ladegeräte.

Weitere Einzelheiten finden Sie in den entsprechenden Anleitungen der Akkus und Ladegeräte.

Vor dem ersten Gebrauch voll aufladen.

Anbringen

Lassen Sie die Stege am Akkugehäuse mit den Geräteaufnahmen fluchten und schieben Sie den Akku bis zum hörbaren Einrasten in das Gerät (Abb. G1).

Abnehmen

Drücken Sie die Akku-Entriegelung und nehmen Sie den Akku ab (Abb. G2).

G1-1	Aufnahme	G1-2	Steg
G2-1	Akku-Entriegelung		

EIN- UND AUSSCHALTEN DES NASS-/TROCKENSAUGERS (ABB. H)

Gerät einschalten

1. Vergewissern Sie sich, dass der Antrieb fest am Staubbehälter montiert und der Staubbehälter verriegelt ist. Vergewissern Sie sich, dass der Saugschlauch, die benötigten Verlängerungen und der Düsenaufsatz korrekt montiert sind.

ANMERKUNG: Das Gerät funktioniert nur, wenn der Antrieb fest mit dem Staubbehälter verbunden ist.

2. Setzen Sie den Akku ein.
3. Drücken Sie zum Einschalten den Hauptschalter.
4. Drücken Sie die Taste für die Leistungsstufe, um am Gerät eine niedrige oder hohe Stufe vorzuzwählen. Drücken Sie zum Starten anschließend die Start/ Stopp-Taste. Oder drücken Sie die TURBO-Taste, um

das Gerät direkt auf maximale Leistung zu schalten.

ANMERKUNG: Die Leistung kann auch während des Betriebs umgestellt werden. Weitere Informationen finden Sie im Kapitel „EINSTELLEN DER GERÄTELEISTUNG“.

Gerät ausschalten

1. Drücken zum Beenden des Betriebs oder bei vollem Staubbehälter die Start/Stop-Taste, um das Gerät vorübergehend abzustellen.
2. Oder drücken Sie den Hauptschalter, um das Gerät vollständig auszuschalten.
3. Entfernen Sie den Akku.
4. Entleeren Sie den Staubbehälter in einem geeigneten Behältnis oder im Abfluss.

ANMERKUNG: Nach dem erneuten Einschalten setzt das Gerät den Betrieb mit der zuvor eingeschalteten Leistungsstufe fort.

Hauptschalter-Anzeige

Hauptschalter-Anzeige	Bedeutung	Abhilfe
Grünes Dauerlicht	Standby	Keine Maßnahme erforderlich. Nach 1 Stunde Inaktivität schaltet sich das Gerät automatisch aus
	Das Gerät arbeitet einwandfrei.	Normaler Betrieb.
6 Mal grünes Blinklicht, danach Abschaltung.	Der Flüssigkeitsstand im Behälter erreicht die untere Marke der Flüssigkeitssensoren	Schalten Sie das Gerät aus, entnehmen Sie den Akku und entleeren Sie den Tank. Beachten Sie dazu die Anweisungen für das Entleeren.
Grünes Dauerblinker	Fehler in der Elektronik	Wenden Sie sich an den EGO-Kundendienst

EINSTELLEN DER GERÄTELEISTUNG

Leistungsstufe normal

- Bei jedem Betätigen des Leistungswählschalters schaltet das Gerät zwischen niedriger und hoher Stufe um. Entsprechend der aktuellen Stufe leuchten die

Leistungsstufenanzeigen grün.

- Das Gerät speichert die zuletzt eingestellte Leistungsstufe und stellt diese beim nächsten Einschalten wieder ein.

TURBO-Modus

- Drücken Sie die TURBO-Taste. Die TURBO-Anzeige leuchtet grün und das Gerät schaltet direkt auf TURBO-Leistung, d.h. auf Maximalleistung, um.
- Drücken Sie im TURBO-Modus erneut die TURBO-Taste oder drücken Sie den Leistungswählschalter, die Start/Stop-Taste oder den Hauptschalter. Die TURBO-Anzeige erlischt und das Gerät schaltet den TURBO-Modus aus.

ANMERKUNG: Nach dem Beenden des TURBO-Modus setzt das Gerät mit der zuvor aktiven normalen Leistungsstufe fort.

SAUGKRAFTREGLER (Abb. I)

Beim Saugen kann der Luftstrom am Ende des Vakuumschlauchs durch Drehen des Saugreglers eingestellt werden. Wenn Sie den Regler so verstellen, dass mehr entlüftet wird, verringert sich die Saugleistung. Der Regler kann aber auch so eingestellt werden, dass der Luftauslass stärker abgedeckt wird. In dem Fall erhöht sich Saugleistung.

Diese Funktion ist besonders geeignet, wenn der Staubsaugerschlauch beim Saugen durch Teppiche, Tücher usw. blockiert wird. Drehen Sie am Regler, um den Luftauslass weiter zu öffnen. Die Saugleistung verringert sich dadurch.

I-1	Saugkraftregler	I-2	Luftauslass
-----	-----------------	-----	-------------

FERNBEDIENUNG

- Die Fernbedienung kann beim Reinigen am Saugschlauch befestigt werden (Abb. J1).
- Bei eingeschaltetem Gerät können Sie das Gerät mit der Fernbedienung aus- oder einschalten oder auf TURBO umschalten.

ANMERKUNG: Mit der Fernbedienung kann nicht zwischen normaler und hoher Leistungsstufe umgeschaltet werden.

- Die Fernbedienung kann auch als Taschenlampe für dunkle Bereiche verwendet werden, insbesondere bei Verwendung der Fugendüse.

Kopplung der Fernbedienung (Abb. J2)

Die Fernbedienung wurde werksseitig mit dem Gerät gekoppelt. Wenn die Fernbedienung jedoch beschädigt wurde oder verloren gegangen ist, gehen Sie wie folgt vor, um die neue Fernbedienung mit dem Gerät zu koppeln.

1. Setzen Sie den Akku ein.
2. Drücken Sie zum Einschalten den Hauptschalter.
3. Drücken Sie die Start/Stopp-Taste am Gerät, bis die Hauptschalteranzeige langsam grün blinkt.
4. Drücken Sie die TURBO-Taste oder die Start/Stopp-Taste auf der Fernbedienung, sobald die Hauptschalteranzeige langsam grün blinkt.
5. Wenn die Kopplung erfolgreich war, blinkt die Hauptschalteranzeige zunächst schnell grün und anschließend Dauergrün, um die erfolgreiche Kopplung zu signalisieren.

Anzeige auf der Fernbedienung

Anzeige auf der Fernbedienung	Bedeutung	Abhilfe
Schnell grün blinkend	Die Fernbedienung ist fast entladen.	Laden Sie die Fernbedienung auf.
Langsam grün blinkend	Die Fernbedienung wird momentan geladen.	Keine Maßnahmen erforderlich.
Grünes Dauerlicht	Der Ladevorgang der Fernbedienung ist abgeschlossen.	Trennen Sie die Fernbedienung und das Ladekabel vom Stromnetz.

ANMERKUNG: Im Normalbetrieb leuchtet die Fernbedienungsanzeige einmal auf und erlischt, sobald die TURBO-Taste oder die Start/Stopp-Taste gedrückt wird.

Aufladen der Fernbedienung (Abb. J3)

Von Zeit zu Zeit muss der Akku in der Fernbedienung aufgeladen werden.

⚠️ WARNUNG: Folgende Hinweise gelten für den wiederaufladbaren Lithium-Ionen-Akku in der Fernbedienung:

- Brand- und Verbrennungsgefahr.
- Nicht öffnen, quetschen, über 60°C erhitzen oder verbrennen.
- Nicht kurzschließen.

- Bei starker Ausbeulung nicht fortsetzen.
1. Öffnen Sie die Abdeckung des USB-C-Anschlusses.
 2. Schließen Sie die USB-C Seite des mitgelieferten Ladekabels an den USB-C-Anschluss der Fernbedienung an.
 3. Schließen Sie das andere Ende des Ladekabels an ein kompatibles USB-Netzteil/Ladegerät an (nicht im Lieferumfang enthalten) an. Das Aufladen eines vollständig entladenen Akkus kann bis zu 2 Stunden dauern.
 4. Wenn der Ladevorgang abgeschlossen ist, ziehen Sie das Ladekabel ab und schließen Sie die Abdeckung des USB-C-Anschlusses, um den USB-C-Anschluss vor Verschmutzung zu schützen.

J3-1	Abdeckung des USB-C-Anschlusses	J3-2	USB-C-Anschluss
J3-3	Ladekabel		

SAUGBETRIEB

Nass-Saugen

- Verwenden Sie den Staubbeutel nicht beim Nasssaugen.
- Schalten Sie das Gerät sofort aus, wenn der Staubbehälter voll ist. Entleeren Sie den Staubbehälter in einem geeigneten Behältnis oder im Abfluss.
- Reinigen Sie den Staubbehälter von innen, den Filter und das Zubehör regelmäßig und noch häufiger, wenn Sie feuchtes, klebriges Material aufsaugen.

Trockensaugen

- Vergewissern Sie sich, dass der Filter nach dem Nass-Saugen ganz getrocknet ist oder verwenden Sie einen zweiten Trockenfilter zum Trockensaugen. Feuchte oder nasse Filter verstopfen durch Staub oder schimmeln.
- Verwenden Sie einen Staubbeutel, um die Quarzstaub-Gefährdung zu verringern.
- Schalten Sie das Gerät sofort aus, wenn der Staubbeutel oder der Staubbehälter voll ist.
- Entleeren Sie den Staubbehälter in einem geeigneten Behältnis oder im Abfluss.

Gebläsebetrieb

⚠️ WARNUNG: Tragen Sie immer einen Augenschutz, wenn Sie dieses Gerät als Gebläse verwenden.

⚠️ WARNUNG: Blasen Sie keine entflammaren oder brennbaren Materialien beiseite, wie z. B. Benzin, und verwenden Sie das Gerät nicht in Bereichen, in denen

solche Materialien vorhanden sein könnten. Es besteht Feuergefahr.

⚠️ WARNUNG: Richten Sie den Luftstrom nicht in die Richtung von Menschen oder Haustieren.

WARTUNG

⚠️ WARNUNG: Um schwere Eigenverletzungen zu verhindern, entfernen Sie den Akku aus dem Produkt, bevor Sie das Gerät warten, reinigen, Anbauwerkzeuge auswechseln oder Schnittgut aus dem Gerät entfernen.

ALLGEMEINE WARTUNG

Zum Reinigen von Kunststoffteilen Lösungsmittel vermeiden. Die verschiedenen handelsüblichen Lösungsmittel greifen die meisten Kunststoffe an. Verwenden Sie saubere Lappen zum Entfernen von Schmutz, Staub, Öl, Fett usw.

⚠️ WARNUNG: Halten Sie unter allen Umständen Bremsflüssigkeit, Benzin, Erzeugnisse auf Erdölbasis, Kriechöle usw. von den Kunststoffteilen fern. Chemikalien können Kunststoffe angreifen, schwächen oder zerstören, was zu schweren Verletzungen führen kann.

⚠️ WARNUNG: Um das Risiko von Bränden, Verletzungen und Produktschäden aufgrund eines Kurzschlusses zu verringern, tauchen Sie das Gerät, den Akku oder das Ladegerät niemals in Flüssigkeit und schützen Sie das Gerät vor eindringender Flüssigkeit. Ätzende oder leitfähige Flüssigkeiten wie Meerwasser, bestimmte Industriechemikalien und Bleichmittel oder bleichmittelhaltige Produkte usw. können einen Kurzschluss verursachen.

ENTLEEREN DES STAUBBEHÄLTERS

- Entfernen Sie den Verschluss der Ablassöffnung, um die im Staubbehälter angesammelte Flüssigkeit in ein geeignetes Behältnis oder einen Abfluss zu entleeren, falls vorhanden.
- Montieren Sie den Antrieb vom Staubbehälter ab.
- Entfernen Sie den Staubbeutel, sofern einer eingesetzt ist.
- Beseitigen Sie Schmutz oder Staub aus dem Staubbehälter und reinigen Sie ihn mit milder Seife und Wasser.
- Lassen Sie den Staubbehälter trocknen, bevor Sie den Antrieb wieder montieren.

FILTERWARTUNG

Selbstreinigendes Filtersystem

- Schließen Sie den Saugschlauch an den Ansaugstutzen des Geräts an und montieren Sie das andere Schlauchende am Verschluss für die Filter-Selbstreinigung (Abb. K1).
- Setzen Sie den Akku ein und drücken Sie den Hauptschalter, um das Gerät einzuschalten.
- Wählen Sie die gewünschte Leistungsstufe und drücken Sie die Start/Stopp-Taste, um das Gerät einzuschalten.
- Drücken Sie die Taste für die Selbstreinigung des Filters, um den Filter zu reinigen (Abb. K2).

TIPPS: Für eine möglichst gute Reinigungswirkung empfiehlt es sich, den TURBO-Modus einzuschalten und die Taste für die Selbstreinigung des Filters fünfmal zu drücken und jedes Mal 3 Sekunden lang zu halten.

K1-1	Ansaugstutzen	K1-2	Saugschlauch
K1-3	Verschluss für die Filter-Selbstreinigung	K2-1	Filter-Selbstreinigungstaste

Auswaschen des Filters

Nehmen Sie den Akku heraus und untersuchen Sie den Filter, indem Sie den Antrieb anheben. Wenn der Filter nach dem Befolgen der Anweisungen im Abschnitt „Selbstreinigendes Filtersystem“ immer noch verschmutzt ist, nehmen Sie den Filter heraus und spülen Sie ihn in kaltem Wasser aus. Lassen Sie den Filter vollständig trocknen und setzen Sie ihn wieder ein.

Auswechseln des Filters (Abb. L1 & Abb. L2)

⚠️ WARNUNG: Prüfen Sie den Filter regelmäßig und wechseln Sie ihn aus, wenn er abgenutzt oder beschädigt ist. Die Verwendung eines beschädigten Filters kann dazu führen, dass unerwünschte Luftschadstoffe aus dem Behälter freigesetzt werden.

- Heben Sie den Antrieb an und legen Sie ihn beiseite (Abb. L1).
- Klappen Sie die Filterhalterung hoch und ziehen Sie die Halterung mit dem Filter heraus (Abb. L2).
- Verwenden Sie ein feuchtes Tuch, um Staub und Verunreinigungen aus dem Filterbereich zu entfernen.
- Setzen Sie einen neuen oder gereinigten Filter in die Halterung ein.

5. Setzen Sie die Halterung in den Filterbereich ein und klappen Sie den Griff um.

L1-1	Griff	L1-2	Filter-Halterung
------	-------	------	------------------

AUFBEWAHRUNG DES GERÄTS

1. Nehmen Sie den Akku vom Gerät ab.
2. Reinigen Sie das Gerät gründlich, bevor Sie es verstauen.
3. Verstauen Sie das Gerät an einem trockenen, gut belüfteten Ort, der entweder verschlossen oder auf einer höheren Ebene gelegen und für Kinder nicht zugänglich ist. Verstauen Sie das Gerät nicht auf oder in der Nähe von Düngemitteln, Benzin oder anderen Chemikalien.

SCHUTZ DER UMWELT



Elektrogeräte, alte Akkus und Ladegeräte dürfen nicht im Hausmüll entsorgt werden! Das Gerät muss einer offiziellen Recycling-Sammelstelle zur getrennten Entsorgung zugeführt werden.

Elektrowerkzeuge müssen bei einem umweltfreundlichen Recycling-Betrieb abgegeben werden.

STÖRUNGSBEHEBUNG

DE

PROBLEM	URSACHE	LÖSUNG
Das Gerät lässt sich nicht starten.	<ul style="list-style-type: none"> ■ Ladestand des Akkus ist niedrig. ■ Der Akku ist nicht richtig eingesetzt. 	<ul style="list-style-type: none"> ■ Den Akku aufladen. ■ Setzen Sie den Akku in das Gerät ein, bis er einrastet.
Die Saugleistung ist schwach	<ul style="list-style-type: none"> ■ Der Saugschlauch oder Ansaugstutzen ist verstopft. ■ Der Filter ist durch Feinstaub verstopft. ■ Der Staubbehälter ist voll. ■ Ladestand des Akkus ist niedrig. ■ Der Verschluss der Ablassöffnung wurde vom Staubbehälter abmontiert. 	<ul style="list-style-type: none"> ■ Überprüfen Sie den Saugschlauch oder den Ansaugstutzen auf Verstopfungen und beseitigen Sie diese. ■ Reinigen Sie den Filter. Beachten Sie dazu die Anweisungen im Abschnitt "FILTERWARTUNG" in diesem Handbuch. ■ Entleeren Sie den Staubbehälter. ■ Laden Sie den Akku auf ■ Bringen Sie den Verschluss der Ablassöffnung am Staubbehälter an.
Das Gerät läuft, aber saugt nicht.	<ul style="list-style-type: none"> ■ Der Antrieb ist nicht vollständig auf dem Staubbehälter montiert. 	<ul style="list-style-type: none"> ■ Vergewissern Sie sich, dass der Antrieb vollständig auf dem Staubbehälter montiert ist.
Staub entweicht aus dem Druckluftauslass.	<ul style="list-style-type: none"> ■ Der Filter fehlt oder ist falsch eingesetzt. ■ Der Filter ist defekt. 	<ul style="list-style-type: none"> ■ Überprüfen Sie den Filter auf korrekten Einbau. ■ Setzen Sie neuen Filter ein.
Das Gerät lässt sich mit der Fernbedienung nicht bedienen.	<ul style="list-style-type: none"> ■ Die Fernbedienung ist nicht mit dem Staubsauger gekoppelt. ■ Die Fernbedienung ist fast entladen. ■ Die Fernbedienung ist defekt. 	<ul style="list-style-type: none"> ■ Koppeln Sie die Fernbedienung mit dem Gerät. Befolgen Sie dazu die Anweisungen im Kapitel "Kopplung der Fernbedienung" in diesem Handbuch. ■ Laden Sie die Fernbedienung auf. ■ Verwenden Sie eine neue Fernbedienung und starten Sie die Kopplung der Fernbedienung.

GARANTIE

EGO-GARANTIEBEDINGUNGEN

Sämtliche EGO-Garantiebedingungen finden Sie auf der Website egopowerplus.eu.

LISEZ TOUTES LES INSTRUCTIONS !

FR**LISEZ LE MANUEL D'UTILISATION**

⚠ AVERTISSEMENT : Pour garantir la sécurité et la fiabilité, toutes les réparations doivent être effectuées par un réparateur qualifié.

SYMBOLES DE SÉCURITÉ

L'objectif des symboles de sécurité est d'attirer votre attention sur des dangers potentiels. Les symboles de sécurité et les explications les accompagnant doivent être lus attentivement et compris. Les symboles de mise en garde ne permettent pas par eux-mêmes d'éliminer les dangers. Les consignes et mises en garde ne se substituent pas à des mesures de prévention appropriées des accidents.

⚠ AVERTISSEMENT : Veillez à lire et comprendre toutes les consignes de sécurité du présent mode d'emploi, y compris les symboles d'alerte de sécurité tels que « **DANGER** », « **AVERTISSEMENT** » et « **ATTENTION** » avant d'utiliser cette machine. Le non-respect de toutes les instructions énumérées ci-dessous peut entraîner un choc électrique, un incendie et / ou des blessures graves.

SIGNIFICATION DES SYMBOLES

⚠ SYMBOLE DE MISE EN GARDE DE SÉCURITÉ : Indique un **DANGER**, un **AVERTISSEMENT** ou une **MISE EN GARDE**, peut être utilisé en conjonction avec d'autres symboles ou pictogrammes.

CONSIGNES DE SÉCURITÉ

Cette page décrit des symboles de sécurité pouvant être présents sur ce produit. Lisez, comprenez et respectez toutes les instructions présentes sur l'outil avant d'essayer de l'assembler et de l'utiliser.



Alerte de sécurité



Les produits électriques usagés ne doivent pas être jetés avec les ordures ménagères. Apportez-les dans un centre de recyclage agréé.



Ce produit est conforme aux directives CE applicables.

IPX4 Protection contre les éclaboussures d'eau

kg Kilogramme

°C Celsius

Pa Pascal



Pour réduire le risque de blessures, l'utilisateur doit lire la notice d'utilisation.



Courant continu



Conformité Royaume-Uni évaluée

L Litres

V Volts

L/min L/min

Cet appareil n'est pas conçu pour être utilisé par des personnes (y compris les enfants) dont les capacités physiques, sensorielles ou mentales sont réduites, ou des personnes dénuées d'expérience ou de connaissance, sauf si elles ont pu bénéficier, par l'intermédiaire d'une personne responsable de leur sécurité, d'une surveillance ou d'instructions préalables concernant l'utilisation de l'appareil.

- Il convient de surveiller les enfants pour s'assurer qu'ils ne jouent pas avec l'appareil.
- N'exposez pas l'appareil ou la batterie à des températures excessives.
- Soyez conscient du risque de court-circuit des bornes de l'appareil fonctionnant sur batterie ou de la batterie elle-même en cas de contact avec des objets métalliques.
- Les batteries rechargeables doivent être retirées de l'appareil avant d'être chargées.
- Évitez de mélanger différents types de piles, ou des piles neuves et usagées.
- Les piles épuisées doivent être retirées de l'appareil et éliminées en toute sécurité.
- Si l'appareil doit être stocké pendant une période prolongée, retirez-en la batterie.
- N'utilisez pas de piles non rechargeables à la place de piles rechargeables.
- N'utilisez pas de piles modifiées ou endommagées.
- **Utilisez l'appareil uniquement avec les batteries et chargeurs spécifiés.**

Conservez ce manuel d'utilisation. Consultez-la fréquemment et servez-vous-en pour informer les autres personnes souhaitant utiliser cette machine. Si vous prêtez cette machine à un tiers, prêtez-lui également ce manuel d'utilisation pour éviter l'utilisation incorrecte du produit et des blessures potentielles.

SPÉCIFICATIONS

Tension	56 V		
Capacité du réservoir à poussière	34 L		
Mode de vitesse	Bas	Haut	TURBO
Max. Débit d'air (L/min)	1900	2500	3100
Max. Puissance d'aspiration (Pa)	10000	15900	24800

Télécommande	Température de charge	0°C - 45°C
	Max. Tension de charge	5 V
	Max. Courant de recharge	1 A
Poids (sans la batterie)		12,1 kg
Température d'utilisation recommandée		-5°C - 40°C
Température de stockage recommandée		-20°C - 70°C

CONTENU DE L'EMBALLAGE (FIG. A1 & A2)

ACCESSOIRES RECOMMANDÉS

⚠ AVERTISSEMENT : Utilisez uniquement les accessoires répertoriés ci-dessous. L'utilisation d'accessoires ne correspondant pas aux caractéristiques de l'équipement d'origine peut entraîner un dysfonctionnement et compromettre la sécurité.

NOM DES PIÈCES	NUMÉRO DE MODÈLE
Sacs à poussière (x5)	AVG0905
Filtre de recharge	AVF0900

DESCRIPTION

DESCRIPTION DE VOTRE ASPIRATEUR SEC/HUMIDE (FIG. A1 ET A2)

1. Assemblage du bloc moteur
2. Poignée
3. Compartiment de rangement des accessoires
4. Loquet du réservoir à poussière (x2)
5. Roue arrière (x2)
6. Réservoir à poussière
7. Roue pivotante avec frein (x2)
8. Bouchon du trou de vidange
9. Embout plat
10. Port d'aspiration
11. Panneau de commande
12. Fentes de rangement pour le tuyau d'aspiration
13. Port de sortie de soufflage
14. Rangement temporaire des accessoires
15. Grand embout de sol + barre à brosse
16. Tubes de rallonge

17. Bouton de déverrouillage de la batterie
18. Bouton d'autonettoyage du filtre
19. Bouchon d'autonettoyage du filtre
20. Tuyau d'aspiration
21. Bouton de déverrouillage du tuyau
22. Régulateur d'aspiration
23. Support de la télécommande
24. Barre en caoutchouc
25. Sac à poussières
26. Câble de charge pour la télécommande
27. Télécommande
28. Brosse à poussière ronde
29. Embout de sol compact
30. Adaptateur d'outil électrique
31. Bouton de mise en marche
32. Bouton marche / arrêt
33. Bouton de vitesse
34. Indicateur de vitesse
35. Bouton TURBO
36. Témoin TURBO
37. Filtre
38. Support de filtre
39. Capteur de liquide (x4)
40. Support de sac à poussière
41. Trou de vidange

ASSEMBLAGE

BRANCHEMENT/DÉBRANCHEMENT DU TUYAU D'ASPIRATION

Pour brancher le tuyau, enfoncez l'extrémité du tuyau dans le port d'aspiration ou le port de soufflage jusqu'à entendre un "clic" (Fig. B1).

Pour débrancher le tuyau, appuyez sur les boutons de détachement du tuyau et maintenez-les enfoncés pour retirer le tuyau (Fig. B2).

B1-1	Tuyau d'aspiration	B1-2	Port d'aspiration
B1-3	Port de sortie de soufflage	B2-1	Boutons de détachement du tuyau

CONNEXION/DÉCONNEXION DES TUBES DE RALLONGE (FIG. C)

Raccordez un ou deux tubes de rallonge au tuyau d'aspiration en fonction de vos besoins.

Pour brancher un tube de rallonge, insérez l'extrémité étroite du tube dans le tuyau d'aspiration à fond jusqu'à ce que le tube soit fixé en place.

Pour débrancher le tube de rallonge du tuyau d'aspiration, tirez dessus.

Le deuxième tube de rallonge se branche/débranche du premier tube de la même manière.

C-1	Tuyau d'aspiration	C-2	Extrémité étroite
C-3	Extrémité large	C-4	Tubes de rallonge

INSTALLATION/DÉSINSTALLATION DES EMBOUTS

Choisissez un embout approprié à installer sur le tuyau d'aspiration directement ou sur le tube de rallonge en fonction de vos besoins (Fig. D1).

- Pour raccorder l'embout au tube de rallonge, insérez-le à fond dans le tube de rallonge jusqu'à ce qu'il soit fixé en place. Pour déconnecter l'embout du tube de rallonge, tirez dessus.
- Pour raccorder directement l'embout au tuyau d'aspiration, alignez le bouton de l'embout sur la rainure du tuyau d'aspiration et insérez l'embout dans le tuyau jusqu'à entendre un "clic". Pour le démontage, appuyez sur le bouton de détachement et maintenez-le enfoncé pour retirer l'embout.

D1-1	Bouton de déverrouillage	D1-2	Rail
D1-3	Tubes de rallonge (en option)	D1-4	Ergot
D1-5	Buse		

Embout plat (Fig. D2)

Les endroits sombres peuvent être facilement nettoyés à l'aide de l'embout plat combiné à la lampe intégrée de la télécommande.

Raccordez l'embout plat au tuyau de l'aspirateur et enclenchez la télécommande sur le support prévu à cet effet situé sur le tuyau de l'aspirateur. Appuyez sur le bouton d'éclairage de la télécommande, l'embout plat transparent s'allume.

D2-1	Embout plat	D2-2	Bouton d'éclairage
D2-3	Télécommande		

Adaptateur d'outil électrique (Fig. D3)

L'adaptateur pour outil électrique permet de raccorder l'aspirateur à un outil électrique doté d'une sortie de poussière de 32 mm.

Le tuyau d'aspiration étant raccordé au port d'aspiration de l'aspirateur, insérez l'adaptateur d'outil électrique dans l'aspirateur à fond jusqu'à ce que l'adaptateur soit fixé en place, puis connectez l'adaptateur au port d'évacuation des poussières de l'outil électrique.

⚠ AVERTISSEMENT : L'adaptateur d'outil électrique ne peut pas être raccordé au(x) tube(s) de rallonge. Forcer l'installation peut endommager l'adaptateur d'outil électrique ou le(s) tube(s) de rallonge.

D3-1	Outil électrique (non fourni)	D3-2	Adaptateur d'outil électrique
D3-3	Tuyau d'aspiration	D3-4	Port d'aspiration

Grand embout de sol + barre à brosse/barre de caoutchouc (Fig. D4)

Le grand embout de sol peut être combiné avec la barre à brosse ou la barre en caoutchouc.

Ouvrez légèrement les deux extrémités de la barre et appuyez sur les extrémités pour retirer la barre de l'embout.

Pour installer la barre, poussez ses extrémités dans les trous de l'embout jusqu'à entendre un "clic".

D4-1	Grand embout de sol	D4-2	Trous de l'embout
D4-3	Barre en caoutchouc	D4-4	Extrémités de la barre

INSTALLATION/RETRAIT DE L'ENSEMBLE DU BLOC MOTEUR

Pour l'installation, poussez les parties inférieures des loquets du réservoir à poussière, abaissez le bloc moteur sur le réservoir à poussière, puis poussez les parties supérieures des loquets du réservoir à poussière. (Fig. E1 & E2).

Pour le démontage, appuyez sur les parties inférieures du réservoir à poussière, puis soulevez l'ensemble du bloc moteur (Fig. E3).

INSTALLATION/RETRAIT DU SAC A POUSSIÈRE

- Déverrouillez le réservoir à poussière et soulevez le bloc moteur.
- Pour l'installation,** insérez uniquement la plaque du sac à poussière dans la fente du support du sac à poussière jusqu'à ce que la plaque tombe le long des nervures. Dépliez manuellement le sac à poussière avant de commencer à ramasser la poussière ou les débris (Fig. F1).

Pour le démontage, soulevez légèrement la plaque au-dessus des nervures, puis sortez la plaque de la fente pour enlever le sac à poussière (Fig. F2).

F1-1	Support de sac à poussière	F1-2	Fente
------	----------------------------	------	-------

F1-3	Sac à poussières	F1-4	Plaque
F2-1	Nervures		

FR

FONCTIONNEMENT

APPLICATION

Vous pouvez utiliser cet outil pour les usages listés ci-dessous :

- Aspiration de déchets liquides ou de poussières sèches lorsque le port d'aspiration est utilisé.
- Fonctionne comme une soufflerie lorsque le port de sortie de la soufflerie est utilisé.

INSERTION / RETRAIT DE LA BATTERIE

Utilisez exclusivement les batteries et les chargeurs EGO listés à la Fig.A3.

Reportez-vous aux manuels des batteries et des chargeurs correspondants pour plus de détails.

Rechargez complètement la batterie avant la première utilisation.

Pour attacher la batterie

Alignez les arêtes de la batterie avec les rainures d'assemblage et poussez la batterie contre l'aspirateur jusqu'à entendre un déclic (Fig. G1).

Pour retirer la batterie

Appuyez sur le bouton de déverrouillage de la batterie et retirez la batterie hors de l'outil (Fig. G2).

G1-1	Rainure d'assemblage	G1-2	Arête
G2-1	Bouton de déverrouillage de la batterie		

DÉMARRAGE/ARRÊT DE L'ASPIRATEUR SEC/HUMIDE (FIG. H)

Démarrage de l'aspirateur

- Vérifiez que le bloc moteur est installé sur le réservoir à poussière et que ce dernier est bien verrouillé. Assurez-vous que le tuyau d'aspiration, le(s) tube(s) de rallonge nécessaire(s) et la buse sont correctement raccordés.

REMARQUE : L'aspirateur ne fonctionne que lorsque le bloc moteur est solidement fixé au réservoir à poussière.

- Installez la batterie.

- Appuyez sur le bouton marche/arrêt pour mettre l'aspirateur en marche.
- Appuyez sur le bouton de réglage de vitesse pour sélectionner la vitesse lente ou la vitesse rapide, puis appuyez sur le bouton start/stop pour démarrer l'aspirateur. Vous pouvez également appuyer sur le bouton TURBO pour démarrer l'aspirateur directement à la vitesse maximale.

REMARQUE : La vitesse peut également être réglée pendant l'aspiration. Pour plus d'informations, voir le chapitre «**SÉLECTION DE VITESSE**».

Arrêt de l'aspirateur

- Une fois l'aspiration terminée ou lorsque le réservoir à poussière est plein, appuyez sur le bouton start/stop pour arrêter momentanément l'aspirateur.
- Ou appuyez sur le bouton marche/arrêt pour éteindre complètement l'aspirateur.
- Retirez la batterie.
- Videz le réservoir à poussière dans un récipient approprié ou dans un trou d'évacuation.

REMARQUE : Lors du redémarrage, l'aspirateur reprend le réglage de la vitesse normale activé la dernière fois.

Témoin du bouton marche/arrêt

Témoin du bouton marche/arrêt	Signification	Action
S'allume en vert	Veille	No actions required. The vacuum will turn off automatically after 1 hour of inactivity
	La machine fonctionne correctement.	Normal operation.
Clignote 6 fois en vert, puis s'éteint.	Le niveau de liquide dans le réservoir atteint le bout inférieur des capteurs de liquide.	Stop the vacuum, remove the battery pack, and then empty the tank referring to the emptying instruction.
Clignotement vert continu	Erreur électronique	Contact EGO customer service for help

SÉLECTION DE LA VITESSE

Mode vitesse normale

- Chaque fois que l'on appuie sur le bouton de réglage de la vitesse, la vitesse bascule entre le niveau bas et le niveau haut. L'indicateur de vitesse affiche des témoins verts correspondant à la vitesse actuelle.
- L'aspirateur mémorise le dernier réglage de vitesse d'air utilisé et y revient au redémarrage.

Mode TURBO

- Appuyez sur le bouton TURBO, le témoin TURBO s'allume en vert et l'aspirateur commence à fonctionner directement à la vitesse TURBO, c'est-à-dire la vitesse la plus élevée.
- En mode TURBO, appuyez à nouveau sur le bouton TURBO, ou appuyez sur le bouton de réglage de la vitesse, le bouton start/stop ou le bouton marche/arrêt - le témoin TURBO s'éteint et l'aspirateur quitte le mode TURBO.

REMARQUE : Après avoir quitté le mode TURBO, l'aspirateur reprend la vitesse normale activée la fois précédente.

RÉGULATEUR D'ASPIRATION (Fig. I)

Lors de l'aspiration, le débit d'air à l'extrémité du tuyau d'aspiration peut être contrôlé en tournant le régulateur d'aspiration. Tournez le régulateur pour exposer la sortie d'air et diminuer l'aspiration, ou tournez le régulateur pour couvrir la sortie d'air et augmenter l'aspiration.

Cette fonction est particulièrement utile lorsque le tuyau de l'aspirateur est bouché par des tapis, des tissus, etc. Pendant l'aspiration, tournez le régulateur pour exposer la sortie d'air et diminuer la puissance d'aspiration.

I-1	Régulateur d'aspiration	I-2	Sortie d'air
-----	-------------------------	-----	--------------

TÉLÉCOMMANDE

- La télécommande peut être positionnée sur le tuyau d'aspiration pendant l'aspiration (Fig. J1).
- Lorsque l'aspirateur est sous tension, vous pouvez démarrer/arrêter l'aspirateur ou le mettre en mode TURBO à l'aide de la télécommande.

REMARQUE : La télécommande ne permet pas de passer d'une vitesse normale à une vitesse élevée.

- La télécommande peut également servir de lampe de poche pour les endroits sombres, notamment lors de l'utilisation de l'embout plat.

Appairage de la télécommande (Fig. J2)

La télécommande a été jumelée à l'aspirateur en usine. Toutefois, si la télécommande est endommagée ou perdue, suivez les étapes ci-dessous pour appairer votre télécommande neuve avec l'aspirateur.

1. Installez la batterie.
2. Appuyez sur le bouton marche/arrêt pour mettre l'aspirateur en marche.
3. Faites un appui long sur le bouton start/stop de l'aspirateur jusqu'à ce que le témoin du bouton marche/arrêt clignote lentement en vert.
4. Appuyez sur le bouton TURBO ou sur le bouton start/stop de la télécommande dès que le témoin du bouton marche/arrêt commence à clignoter en vert.
5. Le témoin du bouton marche/arrêt clignote rapidement en vert, puis reste allumé en vert pour indiquer que l'appairage a réussi.

Témoin de télécommande

Témoin de télécommande	Signification	Action
Clignotement vert rapide	La batterie de la télécommande est presque épuisée.	Chargez la télécommande.
Clignotement lent en vert	La télécommande est en cours de charge.	Aucune action n'est nécessaire.
S'allume en vert	La recharge de la télécommande est terminée.	Débranchez la télécommande et le câble de recharge de l'alimentation électrique.

REMARQUE : En fonctionnement normal, le témoin de la télécommande s'allume une fois, puis s'éteint lorsque l'on appuie une fois sur la touche TURBO ou sur la touche start/stop.

Recharge de la télécommande (Fig. J3)

La batterie de la télécommande a besoin d'être rechargée régulièrement.

⚠ AVERTISSEMENT : Concernant la batterie rechargeable Li-ion à l'intérieur de la télécommande, veuillez tenir compte des points suivants :

- Risques d'incendie et de brûlures.
- Ne pas ouvrir, écraser, chauffer à plus de 60°C ou incinérer.

- Éviter tout court-circuit.
 - En cas de gonflement important, cessez l'utilisation.
1. Ouvrez le couvercle du port USB-C.
 2. Connectez l'extrémité USB-C du câble de charge fourni au port USB-C de la télécommande.
 3. Connectez l'autre extrémité du câble de recharge à un adaptateur/chargeur d'alimentation USB compatible (non fourni). La recharge d'une batterie complètement déchargée peut prendre jusqu'à 2 heures.
 4. Une fois la recharge terminée, débranchez le câble de recharge et fermez le cache du port USB-C pour le protéger de tout encrassement.

J3-1	Cache de port USB-C	J3-2	Port USB-C
J3-3	Câble de charge		

UTILISATION DE L'ASPIRATEUR

Aspiration humide

- N'utilisez pas le sac à poussière pendant l'aspiration humide.
- Arrêtez l'aspirateur dès que le réservoir de poussière est plein. Videz le réservoir à poussière dans un récipient approprié ou dans un trou d'évacuation.
- Nettoyez l'intérieur du réservoir à poussière, le filtre et les accessoires régulièrement, plus souvent lorsqu'ils sont utilisés pour ramasser des matières humides et collantes.

Aspiration à sec

- Veillez à ce que le filtre soit complètement sec après l'aspiration humide ou utilisez un deuxième filtre sec pour l'aspiration sèche. Les filtres humides ou mouillés ont tendance à moisir ou à se boucher avec la poussière.
- Pour réduire l'exposition à la poussière de silice, utilisez un sac à poussière.
- Arrêtez immédiatement l'aspirateur lorsque le sac à poussière ou le réservoir à poussière est plein.
- Videz le réservoir à poussière dans un récipient approprié ou dans un trou d'évacuation.

Utilisation du souffleur

⚠ AVERTISSEMENT : Portez toujours des lunettes de protection avant d'utiliser cette machine comme souffleur.

⚠ AVERTISSEMENT : Ne pas souffler de matières inflammables ou combustibles, telles que l'essence, et ne pas utiliser cet appareil dans des endroits où de telles matières peuvent être présentes. Un incendie pourrait en résulter.

⚠ AVERTISSEMENT: Ne dirigez pas le flux d'air en direction des personnes ou des animaux domestiques.

ENTRETIEN

⚠ AVERTISSEMENT: Afin d'éviter des blessures corporelles graves, retirez la batterie de l'appareil avant toute opération de réparation, nettoyage, changement d'accessoires ou de retrait de matières de l'outil.

ENTRETIEN GÉNÉRAL

N'utilisez pas de solvant pour nettoyer les pièces en plastique. La plupart des plastiques peuvent être détériorés par de nombreux types de solvants vendus dans le commerce. Utilisez un chiffon propre pour enlever les saletés, les poussières, l'huile, la graisse, etc.

⚠ AVERTISSEMENT: Veillez à ce que les pièces en plastique n'entrent jamais en contact avec du liquide de frein, de l'essence, des produits à base de pétrole, du dégrissant, etc. Les produits chimiques peuvent endommager, fragiliser ou détruire les pièces en plastique, ce qui peut provoquer des blessures corporelles graves.

⚠ AVERTISSEMENT: Afin de réduire le risque d'incendie, de blessures corporelles et de dommages au produit dus à un court-circuit, n'immergez en aucun cas la machine, la batterie ou le chargeur dans un liquide et ne laissez jamais un liquide s'écouler à l'intérieur. Les fluides corrosifs ou conducteurs, tels que l'eau de mer, certains produits chimiques industriels, l'eau de Javel ou les produits contenant de l'eau de Javel, etc., peuvent provoquer un court-circuit.

VIDAGE DU RÉSERVOIR À POUSSIÈRE

1. Retirez le bouchon du trou de vidange pour vider le liquide contenu dans le réservoir à poussière dans un récipient approprié ou dans un trou d'évacuation, le cas échéant.
2. Retirez le bloc moteur du réservoir à poussière.
3. Retirez le sac à poussière s'il est installé.
4. Éliminez toutes les saletés et tous les débris du réservoir à poussière et nettoyez-le avec de l'eau et un produit de nettoyage neutre.
5. Laissez sécher le réservoir à poussière avant de remettre en place le bloc moteur.

ENTRETIEN DU FILTRE

Système d'auto-nettoyage du filtre

1. Raccordez le tuyau d'aspiration au port d'aspiration de l'aspirateur et montez l'autre extrémité du tuyau sur le bouchon d'autonettoyage du filtre (Fig. K1).

2. Installez la batterie, appuyez sur le bouton marche/arrêt pour mettre l'appareil en marche.
3. Sélectionnez le mode de vitesse souhaité et appuyez sur le bouton start/stop pour mettre la machine en marche.
4. Appuyez sur le bouton d'auto-nettoyage du filtre pour nettoyer le filtre (Fig. K2).

CONSEILS : Pour obtenir le meilleur effet de nettoyage, il est recommandé de sélectionner le mode TURBO et d'appuyer cinq fois sur le bouton d'auto-nettoyage du filtre et de le maintenir enfoncé pendant 3 secondes à chaque fois.

K1-1	Port d'aspiration	K1-2	Tuyau d'aspiration
K1-3	Bouchon d'autonettoyage du filtre	K2-1	Bouton d'autonettoyage du filtre

Lavage du filtre

Retirez la batterie et examinez le filtre en soulevant le bloc moteur. Si le filtre est toujours sale après avoir suivi les étapes de la section «**Système autonettoyage du filtre**», enlevez le filtre et rincez-le à l'eau froide. Laissez le filtre sécher complètement et remettez-le en place.

Remplacement du filtre (Fig. L1 & Fig. L2)

⚠ AVERTISSEMENT: Vérifiez périodiquement le filtre et remplacez-le s'il est usé ou endommagé. L'utilisation d'un filtre endommagé peut entraîner la libération de contaminants indésirables en suspension dans l'air.

1. Soulevez le bloc moteur et mettez-le de côté (Fig. L1).
2. Dépliez la poignée du support du filtre et sortez le support avec le filtre (Fig. L2).
3. Utilisez un chiffon humide pour enlever la poussière et les débris du filtre.
4. Installez un filtre neuf ou nettoyé dans le support.
5. Placez le support dans la zone du filtre et pliez la poignée.

L1-1	Poignée	L1-2	Support de filtre
------	---------	------	-------------------

RANGEMENT DE L'ASPIRATEUR

1. Retirez la batterie de l'aspirateur.
2. Nettoyez soigneusement et intégralement l'aspirateur avant de le ranger.

3. Rangez l'aspirateur dans un endroit sec, bien aéré, fermé à clé ou en hauteur et hors de portée des enfants. Ne rangez pas l'aspirateur sur ou à côté d'engrais, d'essence ou d'autres substances chimiques.

FR**PROTECTION DE L'ENVIRONNEMENT**

Ne jetez pas les équipements électriques, les batteries et les chargeurs usagés avec les ordures ménagères ! Apportez ce produit chez un recycleur agréé et rendez-le disponible pour une collecte séparée. Les outils électriques doivent être amenés dans un centre de recyclage pour assurer le respect de l'environnement.

DÉPANNAGE

FR

PROBLÈME	CAUSE	SOLUTION
L'aspirateur ne démarre pas.	<ul style="list-style-type: none"> ■ La batterie est presque épuisée. ■ La batterie n'est pas installée correctement. 	<ul style="list-style-type: none"> ■ Rechargez le bloc de batterie. ■ Enfoncez la batterie dans l'aspirateur jusqu'à ce qu'elle se verrouille en position.
La puissance d'aspiration est faible	<ul style="list-style-type: none"> ■ Le tuyau d'aspiration ou le port d'aspiration est obstrué. ■ Le filtre est obstrué par des poussières fines. ■ Le réservoir de poussière est plein. ■ La batterie est presque épuisée. ■ Le bouchon du trou de vidange est retiré du réservoir à poussière. 	<ul style="list-style-type: none"> ■ Vérifiez et éliminez l'obstruction du tuyau d'aspiration ou de l'entrée d'aspiration. ■ Nettoyez le filtre d'après les instructions de la section "ENTRETIEN DU FILTRE" du présent mode d'emploi. ■ Videz le réservoir à poussière. ■ Rechargez la batterie. ■ Installez le bouchon du port de vidange sur le réservoir à poussière.
La machine fonctionne mais il n'y a pas d'aspiration.	<ul style="list-style-type: none"> ■ Le bloc moteur n'est pas parfaitement installé sur le réservoir à poussière. 	<ul style="list-style-type: none"> ■ Veillez à bien installer le bloc moteur sur le réservoir à poussière.
De la poussière s'échappe du port de sortie de soufflage.	<ul style="list-style-type: none"> ■ Le filtre est manquant ou mal installé. ■ Le filtre est endommagé. 	<ul style="list-style-type: none"> ■ Vérifiez que le filtre est correctement installé. ■ Remplacez-le par un filtre neuf.
L'aspirateur ne peut pas être contrôlé par la télécommande.	<ul style="list-style-type: none"> ■ La télécommande n'est pas appariée à l'aspirateur. ■ La télécommande est bientôt déchargée. ■ La télécommande est endommagée. 	<ul style="list-style-type: none"> ■ Appairez la télécommande avec l'aspirateur, voir chapitre "Appairage de la télécommande" du présent mode d'emploi. ■ Chargez la télécommande. ■ Utilisez une télécommande neuve et procédez à son appairage.

GARANTIE

POLITIQUE DE GARANTIE EGO

Rendez-vous sur le site web egopowerplus.eu pour consulter l'intégralité des conditions de la politique de garantie EGO.

¡LEA TODAS LAS INSTRUCCIONES!



LEA EL MANUAL DEL USUARIO

ES

⚠ ADVERTENCIA: Para garantizar la seguridad y fiabilidad de la herramienta, las reparaciones debe realizarlas únicamente un técnico cualificado.

SÍMBOLOS DE SEGURIDAD

El propósito de los símbolos de seguridad es atraer su atención hacia posibles peligros. Los símbolos de seguridad y las explicaciones que los acompañan requieren su máxima atención y comprensión. Por sí solos, los símbolos de advertencia no eliminan los posibles peligros. Las instrucciones y advertencias que proporcionan no sustituyen a las medidas adecuadas de prevención de accidentes.

⚠ ADVERTENCIA: Asegúrese de leer y comprender todas las instrucciones de seguridad de este manual del operador, incluidos todos los símbolos de alerta de seguridad como «PELIGRO», «ADVERTENCIA» y «PRECAUCIÓN» antes de utilizar esta máquina. Si no se observan todas las instrucciones que se indican a continuación existe riesgo de incendio, electrocución y lesiones graves.

SIGNIFICADO DE LOS SÍMBOLOS

⚠ SÍMBOLO DE AVISO DE SEGURIDAD: Indica PELIGRO, ADVERTENCIA o PRECAUCIÓN, puede utilizarse de manera conjunta con otros símbolos o pictogramas.

PRECAUCIONES DE SEGURIDAD

Esta página muestra y describe los símbolos de seguridad que puede haber en este producto. Antes del montaje y utilización del producto, asegúrese de leer, comprender y seguir todas las instrucciones que están en la máquina.



Aviso de seguridad



Para reducir el riesgo de lesiones, el usuario debe leer el manual de instrucciones.



Los productos eléctricos no deben eliminarse con la basura doméstica. Lívelos a un centro de reciclaje autorizado.



Corriente continua



Este producto está en conformidad con las directivas de la CE aplicables.



Conformidad para el Reino Unido evaluada

IPX4 Protección contra las salpicaduras de agua

L Litro

kg Kilogramo

V Voltio

°C Celsius

l/min Litros por minuto

Pa Pascal


⚠ ADVERTENCIA: Lea y comprenda todas las instrucciones. Si no se siguen todas las instrucciones que se indican abajo, se pueden producir descargas eléctricas, incendios o lesiones graves.

Este dispositivo no está previsto para que lo usen personas (incluyendo niños) con capacidades físicas, sensoriales o mentales reducidas, o que carezcan de experiencia y conocimientos, a menos que sean supervisadas o instruidas sobre el uso del dispositivo por una persona responsable de su seguridad.

- Deberá supervisarse a los niños para asegurarse de que no jueguen con el aparato.
- No exponga el aparato ni la batería a temperaturas excesivas.
- Tenga en cuenta el riesgo de cortocircuito de los bornes del aparato que funciona con batería o de la batería con objetos metálicos.
- Las baterías recargables deben sacarse del aparato antes de cargarlas.
- No se deben mezclar distintos tipos de baterías, o ni baterías nuevas y usadas.
- Las baterías agotadas deben sacarse del aparato y desecharse de forma segura.
- Si tiene previsto guardar el aparato y no usarlo durante mucho tiempo, debe sacar las baterías.
- No utilice baterías no recargables en lugar de baterías recargables.
- No utilice baterías modificadas o dañadas.
- **Utilizar sólo con las baterías y cargadores especificados**

Guarde estas instrucciones. Consúltelas con frecuencia y utilícelas para instruir a otras personas que vayan a usar esta máquina. En caso de prestar esta máquina a terceros, proporciónelas también estas instrucciones para evitar el uso incorrecto y posibles lesiones.

ESPECIFICACIONES

Tensión	56 V 		
Capacidad del depósito de polvo	34 L		
Modo de velocidad	Baja	Alta	TURBO
Máx. Flujo de aire (l/min)	1900	2500	3100
Máx. Potencia de succión (Pa)	10000	15900	24800

Mando a distancia	Temperatura de carga	de 0 °C a 45 °C
	Máx. Voltaje de carga	5 V
	Máx. Corriente de carga	1 A
Peso (sin batería)		12,1 kg
Temperatura de funcionamiento recomendada		de -5°C a 40°C
Temperatura de almacenamiento recomendada		De -20 °C a 70 °C

LISTA DE CONTENIDO (FIG. A1 Y A2)

ACCESORIOS RECOMENDADOS

⚠ ADVERTENCIA: Utilice solo los accesorios que se enumeran a continuación. La utilización de accesorios que no cumplan las especificaciones de los equipos originales podría provocar un funcionamiento incorrecto y reducir la seguridad de la herramienta.

NOMBRE DE LA PIEZA	N.º DE MODELO
Bolsas para el polvo (5 uds)	AVG0905
Filtro de repuesto	AVF0900

DESCRIPCIÓN

CONOZCA SU ASPIRADORA PARA SECO/HÚMEDO (FIG. A1 Y A2)

1. Conjunto de cabezal motor
2. Asa
3. Compartimento de almacenamiento de accesorios
4. Pestillo del depósito de polvo (x2)
5. Rueda trasera (x2)
6. Depósito de polvo
7. Rueda giratoria con freno (x2)
8. Tapa del puerto de desagüe
9. Boquilla para ranuras
10. Puerto de entrada de succión
11. Panel del operador
12. Ranuras de almacenamiento para mangueras de la aspiradora
13. Puerto de salida de soplado

14. Almacenamiento temporal de accesorios
15. Boquilla grande para suelos + barra de cepillo
16. Tubos de extensión
17. Botón de liberación de la batería
18. Botón de autolimpieza del filtro
19. Tapón de autolimpieza del filtro
20. Manguera de aspiradora
21. Botón de liberación de la manguera
22. Regulador de succión
23. Montaje del mando a distancia
24. Barra de goma
25. Bolsa de polvo
26. Cable de carga para mando a distancia
27. Mando a distancia
28. Boquilla de cepillo redondo para polvo
29. Boquilla compacta para suelo
30. Adaptador de herramienta eléctrica
31. Botón de encendido
32. Botón de arranque/parada
33. Botón de velocidad
34. Indicador de velocidad
35. Botón TURBO
36. Indicador TURBO
37. Filtro
38. Soporte de filtro
39. Sensor de líquido (x4)
40. Soporte para bolsa de polvo
41. Puerto de desagüe

MONTAJE

CONECTAR/DESCONECTAR LA MANGUERA DE ASPIRACIÓN

Para conectar, empuje el extremo de la manguera en el puerto de entrada de succión o el puerto de salida de soplado hasta que oiga un «clic» (Fig. B1)

Para desconectar, mantenga presionados los botones de liberación de la manguera para retirar la manguera (Fig. B2).

B1-1	Manguera de aspiradora	B1-2	Puerto de entrada de succión
B1-3	Puerto de salida de soplado	B2-1	Botones de liberación de la manguera

CONECTAR/DESCONECTAR LOS TUBOS DE EXTENSIÓN (FIG. C)

Conecte uno o dos tubos de extensión a la manguera de desagüe según sus necesidades.

Para conectar, inserte el extremo estrecho del tubo de extensión en la manguera de desagüe hasta el tope para que el tubo de extensión esté asegurado en su lugar.

Para desconectar, tire del tubo de extensión de la manguera de desagüe.

El segundo tubo de extensión se conecta/desconecta al primer tubo de la misma manera.

C-1	Manguera de aspiradora	C-2	Extremo estrecho
C-3	Extremo ancho	C-4	Tubos de extensión

ES

INSTALACIÓN/RETIRADA DE BOQUILLAS

Elija una boquilla adecuada para instalar directamente en la manguera de vacío o en el tubo de extensión según sus necesidades (Fig. D1)

- Para conectar la boquilla al tubo de extensión, inserte la boquilla en el tubo de extensión hasta el tope para que quede asegurada en su lugar. Para desconectar, tire y saque la boquilla del tubo de extensión.
- Para conectar la boquilla a la manguera de aspiradora directamente, alinee la perilla de la boquilla con el surco de la manguera de aspiradora e inserte la boquilla en la manguera de aspiradora hasta que escuche un «clic». Para desconectar, mantenga presionado el botón de liberación para quitar la boquilla.

D1-1	Botón de liberación	D1-2	Surco
D1-3	Tubos de extensión (opcionales)	D1-4	Saliente
D1-5	Boquilla		

Boquilla para ranuras (Fig. D2)

Las zonas oscuras se pueden limpiar fácilmente utilizando la boquilla para ranuras combinada con la luz integrada del mando a distancia.

Conecte la boquilla para ranuras a la manguera de aspiradora y encaje el mando a distancia en su soporte en la manguera de aspiradora. Presione el botón de luz en el mando a distancia y la boquilla para ranuras transparente se iluminará.

D2-1	Boquilla para ranuras	D2-2	Botón de luz
D2-3	Mando a distancia		

Adaptador para herramientas eléctricas (Fig. D3)

El adaptador para herramientas eléctricas permite conectar la aspiradora a una herramienta eléctrica con salida de polvo de 32 mm.

Con la manguera de la aspiradora conectada al puerto de entrada de succión de la aspiradora, inserte el adaptador de la herramienta eléctrica en la aspiradora hasta el tope para que el adaptador de la herramienta eléctrica esté asegurado en su lugar. Luego conecte el adaptador a la salida de polvo de la herramienta.

⚠ ADVERTENCIA: El adaptador de la herramienta eléctrica no se puede conectar a los tubos de extensión. Forzar la instalación puede causar daños al adaptador de la herramienta eléctrica o a los tubos de extensión.

D3-1	Herramienta eléctrica (no incluida)	D3-2	Adaptador de herramienta eléctrica
D3-3	Manguera de aspiradora	D3-4	Puerto de entrada de succión

Boquilla grande para suelos + barra de cepillo/barra de goma (Fig. D4)

La boquilla para suelos grande se puede combinar con la barra de cepillo o con la barra de goma.

Abra ligeramente ambos extremos de la barra y presione los extremos hacia abajo para retirar la barra de la boquilla.

Para instalar la barra, empuje los extremos de la barra en los orificios de la boquilla hasta que escuche un "clic".

D4-1	Boquilla grande para suelos	D4-2	Agujeros de la boquilla
D4-3	Barra de goma	D4-4	Extremos de la barra

INSTALACIÓN/RETIRADA DEL CONJUNTO DEL CABEZAL MOTOR

Para instalarlo, empuje las partes inferiores de los pestillos del depósito de polvo, baje el conjunto del cabezal motor sobre el depósito de polvo y, a continuación, empuje las partes superiores de los pestillos del depósito de polvo (Fig. E1 y E2).

Para retirarlo, empuje las partes inferiores del depósito de polvo y luego levante el conjunto del cabezal motor (Fig. E3).

INSTALACIÓN/RETIRADA DE LA BOLSA PARA EL POLVO

- Desbloquee el depósito de polvo y levante el conjunto del cabezal motor.
- Para instalar,** inserte solo la placa de la bolsa para polvo en la ranura de su soporte hasta que la placa

encaje por las nervaduras. Despliegue la bolsa para el polvo manualmente antes de recoger polvo o residuos (Fig. F1).

Para retirar, levante ligeramente la placa sobre las nervaduras y luego tire de la placa para sacarla de la ranura para retirar la bolsa para el polvo (Fig. F2).

F1-1	Soporte para bolsa de polvo	F1-2	Ranura
F1-3	Bolsa de polvo	F1-4	Placa
F2-1	Ranuras		

FUNCIONAMIENTO

UTILIZACIÓN

Este producto puede utilizarse para los fines indicados a continuación:

- Aspiración de residuos líquidos o polvo seco cuando se utiliza el puerto de entrada de succión.
- Funciona como soplador cuando se utiliza el puerto de salida de soplado.

INSTALACIÓN/RETIRADA DE LA BATERÍA

Utilícelo sólo con los paquetes de baterías y cargadores de EGO enumerados en la Fig. A3.

Consulte los manuales de las baterías y cargadores correspondientes para obtener más detalles.

Cargue totalmente la batería antes de usarla por primera vez.

Instalación

Alinee las nervaduras de la batería con las ranuras de montaje y deslice la batería en la aspiradora hasta que oiga un «clic» (Fig. G1).

Retirada

Pulse el botón de liberación de la batería y saque la batería tirando de ella (fig. G2).

G1-1	Ranura de montaje	G1-2	Nervadura
G2-1	Botón de liberación de la batería		

INICIO/PARADA DE LA ASPIRADORA PARA HÚMEDO/SECO (FIG. H)

Para poner en marcha la aspiradora

- Verifique que el conjunto del cabezal motor esté instalado en el depósito de polvo y que el

depósito de polvo esté bien bloqueado. Asegúrese de que la manguera de aspiradora, los tubos de extensión requeridos y la boquilla estén conectados correctamente.

NOTA: La aspiradora funciona sólo cuando el conjunto del cabezal motor está firmemente sujeto al depósito de polvo.

2. Instale la batería.
3. Presione el botón de encendido para encender la aspiradora.
4. Presione el botón de ajuste de velocidad para seleccionar velocidad baja o alta, y luego presione el botón de inicio/parada para poner en marcha la aspiradora. O presione el botón TURBO para poner en marcha la aspiradora directamente a velocidad máxima.

NOTA: La velocidad también se puede ajustar durante la aspiración. Para más información consultar el capítulo "SELECCIÓN DE VELOCIDAD".

Para detener la aspiradora

1. Una vez que se complete la aspiración o cuando el depósito de polvo esté lleno, presione el botón de inicio/parada para detener la aspiradora temporalmente.
2. O presione el botón de encendido para apagar la aspiradora por completo.
3. Quite la batería recargable.
4. Vaciar el depósito de polvo en un recipiente adecuado o en un desagüe.

NOTA: La aspiradora reanuda la configuración de velocidad regular previamente activa al reiniciarse.

Indicador del botón de encendido

Indicador del botón de encendido	Significado	Acción
Verde fijo	En espera	No se requieren acciones. La aspiradora se apagará automáticamente después de 1 hora de inactividad.
	La máquina funciona correctamente.	Operación normal.

Parpadea en verde 6 veces y luego se apaga.	El nivel de líquido en el depósito llega a la punta inferior de los sensores de líquido.	Detenga la aspiradora, retire la batería y luego vacíe el depósito siguiendo las instrucciones de vaciado.
Parpadeo intermitente en verde continuo	Error de electrónica	Póngase en contacto con el servicio de atención al cliente de EGO para obtener ayuda

SELECCIÓN DE VELOCIDAD

Modo de velocidad normal

- Cada vez que se presiona el botón de ajuste de velocidad, la velocidad alternará entre nivel bajo y nivel alto. El indicador de velocidad del aire muestra luces verdes correspondientes a los niveles de velocidad actuales.
- La aspiradora guardará la última configuración de velocidad y volverá a ella al reiniciarse.

Modo TURBO

- Presione el botón TURBO, el indicador TURBO se iluminará en verde y la aspiradora comenzará a funcionar directamente a la velocidad TURBO, es decir, la velocidad más alta.
- Cuando esté en el modo TURBO, presione el botón TURBO nuevamente o presione el botón de ajuste de velocidad, el botón de inicio/parada o el botón de encendido; el indicador TURBO se apagará y la aspiradora saldrá del modo TURBO.

NOTA: Después de salir del modo TURBO, la aspiradora reanuda la velocidad normal previamente activa.

REGULADOR DE SUCCIÓN (Fig. 1)

Al aspirar, el flujo de aire al final de la manguera de aspiradora se puede controlar girando el regulador de succión. Gire el regulador para exponer la salida de aire y disminuir la succión, o gire el regulador para cubrir la salida de aire y aumentar la succión.

Esta característica es especialmente útil cuando la manguera de la aspiradora está sellada con alfombras, telas, etc. Durante la succión, gire el regulador para exponer la salida de aire; la succión disminuirá.

I-1	Regulador de succión	I-2	Salida de aire
-----	----------------------	-----	----------------

MANDO A DISTANCIA

- El mando a distancia se puede colocar en la manguera de aspiración durante la aspiración (Fig. J1).
- Cuando la aspiradora está encendida, puede encenderla/pararla o ponerla en modo TURBO con el mando a distancia.

NOTA: El mando a distancia no puede conmutar entre velocidad normal baja o alta.

- El mando a distancia también se puede utilizar como linterna para zonas oscuras, especialmente cuando se utiliza la boquilla para ranuras.

Emparejamiento del mando a distancia (Fig. J2)

El mando a distancia viene emparejado de fábrica con la aspiradora. No obstante, en caso de que el mando a distancia se dañe o se pierda, siga los pasos que se indican a continuación para emparejar el nuevo mando a distancia con la aspiradora.

1. Instale la batería.
2. Presione el botón de encendido para encender la aspiradora.
3. Presione prolongadamente el botón de inicio/parada de la aspiradora hasta que el indicador del botón de encendido parpadee lentamente en verde.
4. Pulse el botón TURBO o el botón de inicio/parada del mando a distancia en cuanto el indicador del botón de encendido empiece a parpadear en verde lentamente.
5. El indicador del botón de encendido parpadeará en verde rápidamente y luego brillará en verde fijo para indicar que el emparejamiento se realizó correctamente.

Indicador de mando a distancia

Indicador de mando a distancia	Significado	Acción
Verde intermitente rápido	La carga de la batería del mando a distancia está casi agotada.	Cargue el mando a distancia.
Verde intermitente lento	El mando a distancia se está cargando.	No es necesaria ninguna acción.
Verde fijo	La carga del mando a distancia ha finalizado.	Desconecte el mando a distancia y el cable de carga de la fuente de alimentación.

NOTA: Durante el funcionamiento normal, el indicador del mando a distancia se iluminará una vez y luego se apagará cuando se presione una vez el botón TURBO o el botón de inicio/parada.

Recarga del mando a distancia (Fig. J3)

Periódicamente es necesario recargar la pila del mando a distancia.

⚠ ADVERTENCIA: Para esta batería recargable de iones de litio dentro del mando a distancia, tenga en cuenta lo siguiente:

- Existe riesgo de provocar un incendio y sufrir quemaduras.
 - No abrir, aplastar, calentar a más de 60°C ni incinerar.
 - No cortocircuitar.
 - Si se hincha mucho, suspenda su uso.
1. Abra la tapa del puerto USB-C.
 2. Conecte el extremo USB-C del cable de carga incluido al puerto USB-C del mando a distancia.
 3. Conecta el otro extremo del cable de carga a un adaptador/cargador de corriente USB compatible (no incluido). Es posible que se necesiten hasta 2 horas para cargar una batería completamente descargada.
 4. Cuando termine de cargar, desconecte el cable de carga y cierre la tapa del puerto USB-C para proteger el puerto USB-C de la suciedad.

J3-1	Cubierta del puerto USB-C	J3-2	Puerto USB-C
J3-3	Cable de carga		

TRABAJAR CON LA ASPIRADORA

Operación de aspiración de líquidos

- No utilice la bolsa para el polvo durante la operación de aspiración en húmedo.
- Apague la aspiradora inmediatamente cuando el depósito de polvo esté lleno. Vaciar el depósito de polvo en un recipiente adecuado o en un desagüe.
- Limpie periódicamente el interior del depósito de polvo, el filtro y los accesorios, más a menudo cuando se utiliza para recoger materiales húmedos y pegajosos.

Operación de aspiración en seco

- Asegúrese de que el filtro esté completamente seco después de aspirar en húmedo o utilice un segundo filtro seco para aspirar en seco. Los filtros húmedos o mojados se obstruirán con polvo o se enmohecerán.

- Para reducir la exposición al polvo de sílice, utilice una bolsa para el polvo.
- Apague la aspiradora inmediatamente cuando la bolsa para polvo o el depósito para polvo estén llenos.
- Vaciar el depósito de polvo en un recipiente adecuado o en un desagüe.

Operación del soplador

⚠ ADVERTENCIA: Utilice siempre protección para los ojos cuando utilice este aparato como soplador.

⚠ ADVERTENCIA: No sople materiales inflamables o combustibles, como gasolina, ni lo utilice en áreas donde dichos materiales puedan estar presentes. Podría producirse un incendio.

⚠ ADVERTENCIA: No dirija el flujo de aire en dirección a personas o mascotas.

MANTENIMIENTO

⚠ ADVERTENCIA: Para evitar lesiones graves, quite la batería del producto antes de realizar cualquier reparación, limpieza, cambio de accesorios o de retirar acumulaciones de material cortado.

MANTENIMIENTO GENERAL

Evite utilizar disolventes para limpiar las piezas de plástico. La mayoría de los plásticos podrían dañarse si se limpian con algunos de los tipos de disolventes disponibles en el mercado. Utilice un paño limpio para eliminar la suciedad, polvo, aceite, grasa, etc.

⚠ ADVERTENCIA: No permita nunca que las piezas de plástico entren en contacto con líquido de frenos, gasolina, productos derivados del petróleo, aceites penetrantes, etc. Las sustancias químicas podrían dañar, debilitar o destruir el plástico, con el consiguiente riesgo de provocar lesiones graves.

⚠ ADVERTENCIA: Para reducir el riesgo de incendio, lesiones personales y daños en el producto debido a un cortocircuito, nunca sumerja la máquina, la batería o el cargador en líquido, ni permita que penetre líquido en su interior. Los líquidos corrosivos o conductores, como el agua de mar, ciertos productos químicos industriales y la lejía o los productos que contienen lejía, etc., pueden provocar un cortocircuito.

VACIADO DEL DEPÓSITO DE POLVO

1. Retire la tapa del puerto de desagüe para vaciar el líquido del depósito de polvo en un receptáculo o desagüe adecuado, si está disponible.

2. Retire el conjunto del cabezal motor del depósito de polvo.
3. Retire la bolsa para el polvo si está instalada.
4. Elimine toda la suciedad o residuos del depósito de polvo y límpielo con agua y un jabón suave.
5. Deje que el depósito de polvo se seque antes de volver a ensamblar el conjunto del cabezal motor.

MANTENIMIENTO DEL FILTRO

Sistema de autolimpieza del filtro

1. Conecte la manguera de aspiradora al puerto de entrada de succión de la aspiradora e instale el otro extremo de la manguera en el tapón de autolimpieza del filtro (Fig. K1).
2. Instale la batería y presione el botón de encendido para encender la máquina.
3. Seleccione el modo de velocidad deseado y presione el botón de inicio/parada para encender la máquina.
4. Presione el botón de autolimpieza del filtro para limpiar el filtro (Fig. K2).

CONSEJOS: Para lograr el mejor efecto de limpieza, se recomienda seleccionar el modo TURBO y presionar el botón de autolimpieza del filtro cinco veces y mantenerlo presionado durante 3 segundos cada vez.

K1-1	Puerto de entrada de succión	K1-2	Manguera de aspiradora
K1-3	Tapón de autolimpieza del filtro	K2-1	Botón de autolimpieza del filtro

Lavado del filtro

Retire la batería y examine el filtro levantando el conjunto del cabezal motor. Si el filtro aún está sucio después de seguir los pasos de la sección "**Sistema de autolimpieza del filtro**", retire el filtro y enjuáguelo con agua fría. Deje que el filtro se seque por completo y vuelva a instalarlo.

Reemplazo del filtro (Fig. L1 y Fig. L2)

⚠ ADVERTENCIA: Revise el filtro periódicamente y reemplácelo si está desgastado o dañado. El uso de un filtro dañado puede provocar la liberación de contaminantes no deseados del aire del recipiente.

1. Levante el conjunto del cabezal motor y déjelo a un lado (Fig. L1).
2. Despliegue el asa del soporte del filtro y extraiga el soporte con el filtro (Fig. L2).

3. Utilice un paño húmedo para eliminar el polvo y los residuos del área del filtro.
4. Instale un filtro nuevo o limpio en el soporte.
5. Coloque el soporte en el área del filtro y pliegue el asa.

ES

L1-1	Asa	L1-2	Soporte de filtro
------	-----	------	-------------------

ALMACENAMIENTO DE LA ASPIRADORA

1. Retire la batería de la aspiradora.
2. Limpie a fondo la aspiradora antes de guardarla.
3. Guarde la aspiradora en un área seca y bien ventilada, bajo llave o en un lugar alto, fuera del alcance de los niños. No guarde la aspiradora encima o junto a fertilizantes, gasolina u otros productos químicos.

PROTECCIÓN DEL MEDIO AMBIENTE



¡No elimine aparatos eléctricos, baterías usadas ni cargadores de baterías junto con los desperdicios domésticos! Lleve este producto a un punto de reciclaje autorizado y deposítelo por separado según corresponda. Las herramientas eléctricas se deben llevar a un punto de reciclaje con fin de proteger el medio ambiente.

SOLUCIÓN DE PROBLEMAS

ES

PROBLEMA	CAUSA	SOLUCIÓN
La aspiradora no se pone en funcionamiento.	<ul style="list-style-type: none"> ■ El nivel de carga de la batería es bajo. ■ La batería no está instalada correctamente. 	<ul style="list-style-type: none"> ■ Cargue la batería. ■ Deslice la batería sobre la aspiradora hasta que encaje en su posición.
La potencia de succión es débil.	<ul style="list-style-type: none"> ■ Hay una obstrucción en la manguera de aspiradora o en la entrada de succión. ■ El filtro está obstruido por polvo fino. ■ El depósito de polvo está lleno. ■ El nivel de carga de la batería es bajo. ■ La tapa del puerto de desagüe no está en el depósito de polvo. 	<ul style="list-style-type: none"> ■ Verifique y elimine la obstrucción en la manguera de desagüe o la entrada de succión. ■ Limpie el filtro siguiendo el apartado "MANTENIMIENTO DEL FILTRO" de este manual. ■ Vacíe el depósito de polvo. ■ Cargue la batería. ■ Instale la tapa del puerto de desagüe en el depósito de polvo.
La máquina funciona pero no hay succión.	<ul style="list-style-type: none"> ■ El conjunto del cabezal motor no está completamente instalado en el depósito de polvo. 	<ul style="list-style-type: none"> ■ Asegúrese de que el conjunto del cabezal motor esté instalado completamente en el depósito de polvo.
El polvo se escapa por el puerto de salida de soplado.	<ul style="list-style-type: none"> ■ Falta el filtro o está instalado incorrectamente. ■ El filtro está dañado. 	<ul style="list-style-type: none"> ■ Verifique que el filtro esté correctamente instalado. ■ Reemplácelo con un filtro nuevo.
La aspiradora no se puede controlar a través del mando a distancia.	<ul style="list-style-type: none"> ■ El mando a distancia no está emparejado con la aspiradora. ■ La carga del mando a distancia es baja. ■ El mando a distancia está dañado. 	<ul style="list-style-type: none"> ■ Empareje el mando a distancia con la aspiradora siguiendo el capítulo "Emparejamiento del mando a distancia" de este manual. ■ Cargue el mando a distancia. ■ Utilice un nuevo mando a distancia y realice su emparejamiento.

GARANTÍA

POLÍTICA DE GARANTÍA DE EGO

Visite la página web egopowerplus.eu para conocer los términos y condiciones completos de la política de garantía de EGO.

LEIA TODAS AS INSTRUÇÕES!



TRADUZIDO A PARTIR DA VERSÃO ORIGINAL

PT

⚠️ AVISO: Para garantir a segurança e bom funcionamento, todas as reparações deverão ser efetuadas por um técnico de reparação qualificado.

SÍMBOLOS DE SEGURANÇA

O objetivo dos símbolos de segurança é chamar a atenção para possíveis perigos. Os símbolos de segurança e as explicações apresentadas com eles requerem a sua atenção e compreensão. Os avisos de segurança, só por si não eliminam o perigo. As instruções e avisos dados não são substitutos para medidas de prevenção adequadas a acidentes.

⚠️ AVISO: Certifique-se de que lê e compreende todos os avisos de segurança neste manual do utilizador, incluindo todos os símbolos de alerta de segurança, como **"PERIGO"**, **"AVISO"** e **"CUIDADO"** antes de usar esta máquina. Não seguir todas as instruções apresentadas abaixo pode resultar em choque elétrico, incêndio e/ou ferimentos graves.

SIGNIFICADO DOS SÍMBOLOS

⚠️ SÍMBOLO DE ALERTA DE SEGURANÇA: Indica **PERIGO**, **AVISO** ou **CUIDADO** e pode ser usado juntamente com outros símbolos ou imagens.

INSTRUÇÕES DE SEGURANÇA

Esta página retrata e descreve os símbolos de segurança que podem aparecer neste produto. Leia, compreenda e siga todas as instruções na máquina antes de tentar montar e utilizar.



Alerta de segurança



De modo a reduzir os riscos de ferimentos, o utilizador deve ler o manual do utilizador.



Os produtos elétricos residuais não deverão ser eliminados juntamente com o lixo doméstico comum. Entregue-os num centro de reciclagem autorizado.



Corrente direta



Este produto encontra-se em conformidade com as diretivas CE aplicáveis.



Avaliação de conformidade na GB

IPX4 Proteção contra salpicos

L Litro

kg Quilograma

V Volts

°C Celsius

L/min Litros por minuto

Pa Pascal

⚠️ AVISO: Leia e compreenda todas as instruções. Não seguir todas as instruções apresentadas abaixo pode resultar em choque elétrico, incêndio e/ou ferimentos graves.

Este aparelho não foi criado para ser utilizado por pessoas (incluindo crianças) com capacidades físicas, sensoriais ou mentais reduzidas, ou falta de experiência ou conhecimentos, exceto se forem supervisionadas ou se lhes forem dadas instruções em relação à unidade, por uma pessoa responsável pela sua segurança.

- As crianças devem ser supervisionadas, para se certificar de que não brincam com o aparelho.
- Não exponha o aparelho ou a bateria a temperaturas excessivas.
- Tenha cuidado com o risco de os terminais do aparelho a bateria ou da própria bateria entrarem em curto-circuito devido a objetos metálicos.
- As pilhas recarregáveis têm de ser retiradas do aparelho antes de serem recarregadas.
- Não misture diferentes tipos de pilhas nem pilhas novas com pilhas usadas.
- As pilhas gastas devem ser retiradas do aparelho e eliminadas de modo seguro.
- Se o aparelho for guardado e não for usado durante um longo período de tempo, retire as pilhas.
- Não use pilhas não recarregáveis em vez de pilhas recarregáveis.
- Não use pilhas modificadas ou danificadas.
- **Utilize apenas com as baterias e carregadores especificados.**

Guarde estas instruções. Consulte com frequência e use estas instruções para instruir outras pessoas sobre a forma de utilizar esta máquina. Se emprestar a alguém esta máquina, entregue também estas instruções para evitar a uma má utilização do produto e possíveis ferimentos.

CARACTERÍSTICAS TÉCNICAS

Voltagem	56 V		
Capacidade do depósito do pó	34 L		
Modo de velocidade	Baixo	Alto	TURBO
Máx. Fluxo do ar (L/min)	1900	2500	3100
Máx. Potência de aspiração (Pa)	10000	15900	24800

Telecomando	Temperatura de carregamento	0 °C - 45 °C
	Máx. Voltagem de carregamento	5V
	Máx. Corrente de carregamento	1 A
Peso (sem a bateria)		12,1 kg
Temperatura de funcionamento recomendada		-5 °C - 40 °C
Temperatura de armazenamento recomendada		-20 °C - 70 °C

LISTA DE PEÇAS (IMAGEM A1 E A2)

ACESSÓRIOS RECOMENDADOS

⚠️ AVISO: Use apenas os acessórios listados abaixo. A utilização de acessórios que não vão ao encontro das especificações do equipamento original pode dar origem a um desempenho inadequado e comprometer a segurança.

NOME DA PEÇA	NÚMERO DO MODELO
Sacos do pó (5 unidades)	AVG0905
Filtro de substituição	AVF0900

DESCRIÇÃO

CONHEÇA O SEU ASPIRADOR A SECO/HÚMIDO (IMAGEM A1 E A2)

1. Montagem da cabeça motora
2. Pega
3. Compartimento de arrumação do acessório
4. Trinco do depósito do pó (x2)
5. Roda traseira (x2)
6. Depósito do pó
7. Rodas com travão (x2)
8. Tampa da porta de drenagem
9. Bocal para gretas
10. Porta de entrada de aspiração
11. Painel do operador
12. Ranhuras de arrumação da mangueira de aspiração
13. Porta de saída de sopro

14. Arrumação temporária dos acessórios
15. Bocal grande para o chão + Barra da escova
16. Tubos de extensão
17. Botão de libertação da bateria
18. Botão de limpeza automática
19. Ficha de limpeza automática do filtro
20. Mangueira de aspiração
21. Botão de libertação da mangueira
22. Regulador de aspiração
23. Encaixe do telecomando
24. Barra de borracha
25. Saco do pó
26. Cabo de carregamento para o telecomando
27. Telecomando
28. Bocal da escova do pó redonda
29. Bocal compacto para o chão
30. Adaptador da ferramenta elétrica
31. Botão da alimentação
32. Botão de iniciar/parar
33. Botão da velocidade
34. Indicador da velocidade
35. Botão do TURBO
36. Indicador de TURBO
37. Filtro
38. Suporte do filtro
39. Sensor de líquido (x4)
40. Suporte do saco do pó
41. Porta de drenagem

MONTAGEM

ENCAIXAR/LIBERTAR A MANGUEIRA DE ASPIRAÇÃO

Para encaixar, pressione a extremidade da mangueira contra a porta de entrada de aspiração ou porta de saída de sopro até ouvir um "clique" (Imagem B1).

Para libertar, prima e mantenha premidos os botões de libertação da mangueira para retirar a mangueira (Imagem B2).

B1-1	Mangueira de aspiração	B1-2	Porta de entrada de aspiração
B1-3	Porta de saída de sopro	B2-1	Botões de libertação da mangueira

ENCAIXAR/LIBERTAR OS TUBOS DE EXTENSÃO (IMAGEM C)

Encaixe um ou dois tubos de extensão na mangueira de aspiração de acordo com as suas necessidades.

Para encaixar, insira a extremidade estreita do tubo de extensão na mangueira de aspiração ao máximo, até que o tubo de extensão fique fixado no respetivo lugar.

Para libertar, puxe o tubo de extensão da mangueira de aspiração.

O segundo tubo de extensão encaixa/liberta-se do primeiro tubo do mesmo modo.

C-1	Mangueira de aspiração	C-2	Extremidade estreita
C-3	Extremidade larga	C-4	Tubos de extensão

INSTALAR/RETIRAR OS BOCAIS

Selecione um bocal adequado para instalar na mangueira de aspiração ou no tubo de extensão, de acordo com as suas necessidades (Imagem D1).

- Para ligar o bocal ao tubo de extensão, insira o bocal no tubo de extensão por completo até ficar fixado no respetivo lugar. Para desligar, retire o bocal do tubo de extensão.
- Para ligar diretamente o bocal na mangueira de aspiração, alinhe o manípulo no bocal com a ranhura na mangueira de aspiração, insira o bocal na mangueira de aspiração até ouvir um "clique". Para libertar, prima e mantenha premido o botão de libertação para retirar o bocal.

D1-1	Botão de libertação	D1-2	Ranhura
D1-3	Tubos de extensão (opcional)	D1-4	Manípulo
D1-5	Bocal		

Bocal para gretas (Imagem D2)

As áreas escuras podem ser limpas facilmente quando usar o bocal para gretas juntamente com a luz integrada do telecomando.

Ligue o bocal para gretas na mangueira de aspiração e encaixe o telecomando no encaixe do telecomando na mangueira de aspiração. Prima o botão da luz no telecomando e o bocal para gretas transparente acende.

D2-1	Bocal para gretas	D2-2	Botão da luz
D2-3	Telecomando		

Adaptador da ferramenta elétrica (Imagem D3)

O adaptador da ferramenta elétrica permite ligar o aspirador a uma ferramenta elétrica com uma saída para o pó de 32 mm.

Com a mangueira de aspiração ligada na porta de entrada de aspiração do aspirador, insira o adaptador da ferramenta elétrica no aspirador ao máximo, até que o adaptador da

ferramenta elétrica fique fixado no respetivo lugar, e depois ligue o adaptador na saída do pó da ferramenta elétrica.

⚠️ AVISO: O adaptador da ferramenta elétrica não pode ser ligado aos tubos de extensão. Forçar a instalação pode causar danos no adaptador da ferramenta elétrica ou tubos de extensão.

D3-1	Ferramenta elétrica (não fornecida)	D3-2	Adaptador da ferramenta elétrica
D3-3	Mangueira de aspiração	D3-4	Porta de entrada de aspiração

Bocal grande para o chão + Barra da escova/barra de borracha (Imagem D4)

O bocal grande para o chão pode ser combinado com a barra da escova ou a barra de borracha.

Abra ligeiramente ambas as extremidades da barra e pressione as extremidades para baixo para retirar a barra do bocal.

Para instalar a barra, pressione as extremidades da barra para os orifícios do bocal, até ouvir um "clique".

D4-1	Bocal grande para o chão	D4-2	Orifícios do bocal
D4-3	Barra de borracha	D4-4	Extremidades da barra

INSTALAR/RETIRAR O CONJUNTO DA CABEÇA MOTORA

Para instalar, pressione as partes inferiores dos trincos do depósito do pó, baixe o conjunto da cabeça motora para o depósito do pó e depois pressione as partes superiores dos trincos do depósito do pó. (Imagem E1 e E2)

Para retirar, pressione as partes inferiores do depósito do pó e depois levante o conjunto da cabeça motora (Imagem E3).

INSTALAR/RETIRAR O SACO DO PÓ

1. Liberte o depósito do pó e levante o conjunto da cabeça motora.
2. **Para instalar,** insira apenas a placa do saco do pó na ranhura do suporte do saco do pó, até que a placa desça pelas abas. Desdobre manualmente o saco do pó antes de recolher o pó ou resíduos (Imagem F1). **Para retirar,** levante ligeiramente a placa sobre as abas e puxe a placa para fora da ranhura para retirar o saco do pó (Imagem F2).

F1-1	Suporte do saco do pó	F1-2	Ranhura
F1-3	Saco do pó	F1-4	Placa
F2-1	Abas		

FUNCIONAMENTO

APLICAÇÃO

Pode utilizar este produto com os intuitos listados abaixo:

- Aspirar resíduos líquidos ou pó seco quando usar a porta de entrada de aspiração.
- Funcionar como soprador quando usar a porta de saída de sopro.

FIXAR/RETIRAR A BATERIA

Utilize apenas com as baterias e carregadores da EGO listados na Imagem A3.

Consulte os manuais da bateria e do carregador para obter mais detalhes.

Carregue por completo antes da primeira utilização.

Para fixar

Alinhe as abas da bateria com as ranhuras de fixação e faça deslizar a bateria para o aspirador até ouvir um "clique" (Imagem G1).

G1-1	Ranhura de fixação	G1-2	Abas
G2-1	Botão de libertação da bateria		

INICIAR/PARAR A ASPIRAÇÃO A HÚMIDO/SECO (IMAGEM H)

Para começar a aspirar

1. Certifique-se de que o conjunto da cabeça motora está instalado no depósito do pó, e que o depósito do pó está devidamente fixado. Certifique-se de que a mangueira de aspiração, os tubos de extensão necessários e o bocal estão devidamente ligados.

NOTA: O aspirador só funciona quando o conjunto da cabeça motora estiver devidamente fixado no depósito do pó.

2. Instale a bateria.
3. Prima o botão da alimentação para ligar o aspirador.
4. Prima o botão de ajuste da velocidade para selecionar a baixa velocidade ou alta velocidade, e depois prima o botão de iniciar/parar para começar a

aspirar. Ou prima o botão do TURBO para começar a aspirar diretamente à máxima velocidade.

NOTA: A velocidade também pode ser ajustada enquanto aspira. Para mais informações, consulte o capítulo “SELEÇÃO DA VELOCIDADE”.

PT

Para parar de aspirar

1. Quando terminar de aspirar, ou quando o depósito do pó estiver cheio, prima o botão de iniciar/parar para parar temporariamente de aspirar.
2. Ou prima o botão da alimentação para desligar por completo o aspirador.
3. Retire a bateria.
4. Esvazie o depósito do pó para um recetáculo adequado ou drene.

NOTA: O aspirador continua com a velocidade definida anteriormente quando for reiniciado.

Indicador do botão da alimentação

Indicador do botão da alimentação	Significado	Ação
Verde contínuo	Inativo	Não é necessário qualquer ação. O aspirador desliga-se automaticamente passado 1 hora de inatividade.
	A máquina funciona corretamente.	Funcionamento normal.
Verde a piscar 6 vezes, depois desliga-se	O nível de líquido no depósito atingir a ponta inferior dos sensores do líquido.	Para o aspirador, retire a bateria e depois esvazie o depósito, consultando as instruções para esvaziar.
Verde a piscar continuamente	Erro eletrónico	Contacte o serviço de apoio ao cliente da EGO para obter ajuda.

SELEÇÃO DA VELOCIDADE

Modo de velocidade normal

- Sempre que premir o botão de ajuste da velocidade, a velocidade alterna entre o nível baixo e o nível elevado.

O indicador da velocidade apresenta luzes verdes, correspondentes ao nível de velocidade atual.

- O aspirador guarda a última velocidade usada e volta a ela ao ser reiniciado.

Modo TURBO

- Prima o botão do TURBO. O indicador luminoso do TURBO acende a verde e o aspirador começa a funcionar diretamente na velocidade TURBO, ou seja, a velocidade mais alta.
- Quando estiver no modo do TURBO, prima de novo o botão do TURBO, ou prima o botão de ajuste da velocidade, o botão de iniciar/parar ou o botão da alimentação. O indicador do TURBO desliga-se e o aspirador sai do modo do TURBO.

NOTA: Após sair do modo do TURBO, o aspirador continua com a velocidade normal anterior.

REGULADOR DE ASPIRAÇÃO (Imagem I)

Quando aspirar, o fluxo do ar na extremidade da mangueira de aspiração pode ser controlado rodando o regulador de aspiração. Rode o regulador para expor a saída do ar para diminuir a aspiração, ou rode o regulador para cobrir a saída do ar, para aumentar a aspiração.

Esta funcionalidade é especialmente útil quando a mangueira de aspiração ficar obstruída por tapetes, panos, etc., durante a aspiração. Rode o regulador para expor a saída do ar e a intensidade da aspiração diminui.

I-1	Regulador de aspiração	I-2	Saída do ar
-----	------------------------	-----	-------------

TELECOMANDO

- O telecomando pode ser posicionado na mangueira de aspiração enquanto aspira (Imagem J1).
- Quando o aspirador estiver ligado, pode iniciar/parar a aspiração, ou ligar a máquina no modo de TURBO usando o telecomando.

NOTA: O telecomando não consegue alternar entre a velocidade normal, baixa ou alta.

- O telecomando também pode ser usado como lanterna em áreas escuras, especialmente quando usar o bocal para gretas.

Emparelhar o telecomando (Imagem J2)

O telecomando vem emparelhado de fábrica ao aspirador. No entanto, em casos em que o telecomando fique danificado ou o perca, siga os passos apresentados abaixo para emparelhar o seu novo telecomando ao

aspirador.

1. Instale a bateria.
2. Prima o botão da alimentação para ligar o aspirador.
3. Mantenha premido o botão de iniciar/parar no aspirador, até que o indicador do botão da alimentação pisque lentamente a verde.
4. Prima o botão do TURBO ou o botão de iniciar/parar no telecomando mal o indicador do botão da alimentação comece a piscar lentamente a verde.
5. O indicador do botão da alimentação pisca rapidamente a verde e depois permanece ligado a verde para indicar que o emparelhamento foi efetuado com sucesso.

Indicador do telecomando

Indicador do telecomando	Significado	Ação
Verde a piscar rapidamente	A energia da bateria do telecomando está quase gasta.	Carregue o telecomando.
Verde a piscar lentamente	O telecomando está a carregar.	Não é necessária qualquer ação.
Verde contínuo	O carregamento do telecomando terminou.	Desligue o telecomando e o cabo de carregamento da alimentação.

NOTA: Durante o funcionamento normal, o indicador do telecomando acende uma vez e depois desliga-se quando o botão do TURBO ou o botão de iniciar/parar for premido uma vez.

Recarregar o telecomando (Imagem J3)

De vez em quando, a bateria no telecomando tem de ser recarregada.

⚠️ AVISO: Relativamente à bateria de ião de lítio recarregável no interior do telecomando, tenha em conta o seguinte:

- Risco de incêndio e queimaduras.
- Não abra, esmague, aqueça acima dos 60 °C nem incinere.
- Não coloque em curto-circuito.
- Se ficar severamente inchado, deixe de utilizar.

1. Abra a cobertura da porta USB-C.

2. Ligue a extremidade USB-C do cabo de carregamento incluído na porta USB-C no telecomando.
3. Ligue a outra extremidade do cabo de carregamento num carregador/adaptador da alimentação USB compatível (não incluído). Pode levar até 2 horas para carregar uma bateria completamente descarregada.
4. Quando terminar de carregar, desligue o cabo de carregamento e feche a cobertura da porta USB-C para proteger a porta USB-C de contaminação.

J3-1	Cobertura da porta USB-C	J3-2	Porta USB-C
J3-3	Cabo de carregamento		

PT

TRABALHAR COM O ASPIRADOR

Aspiração a húmido

- Não use o saco do pó quando aspirar a húmido.
- Desligue imediatamente o aspirador quando o depósito do pó estiver cheio. Esvazie o depósito do pó para um recetáculo adequado ou drene.
- Limpe o interior do depósito do pó, filtro e acessórios periodicamente, mas frequentemente quando usar para recolher materiais húmidos e pegajosos.

Aspiração a seco

- Certifique-se de que o filtro está completamente seco após aspirar a húmido, ou use um segundo filtro seco para aspirar a seco. Filtros húmidos ou molhados ficam obstruídos com o pó ou ganham mofo.
- Para reduzir a exposição ao pó de sílica, use um saco do pó.
- Desligue imediatamente o aspirador quando o saco do pó ou o depósito do pó estiver cheio.
- Esvazie o depósito do pó para um recetáculo adequado ou drene.

Operação de sopro

⚠️ AVISO: Use sempre proteção ocular quando usar esta máquina como soprador.

⚠️ AVISO: Não use para apanhar líquidos inflamáveis ou combustíveis, tais como gasolina, nem use em áreas onde estes possam estar presentes. Isso pode dar origem a um fogo.

⚠️ AVISO: Não oriente o fluxo do ar contra pessoas ou animais.

MANUTENÇÃO

AVISO: Para evitar ferimentos sérios, retire a bateria do produto antes da reparação, limpeza, mudança de acessórios ou remoção de material da unidade.

PT

MANUTENÇÃO GERAL

Evite usar solventes quando limpar peças de plástico. Grande parte dos plásticos é suscetível a danos devido a vários tipos de solventes comerciais. Utilize panos limpos para retirar a sujidade, pó, óleo, gordura, etc.

AVISO: Nunca permita que o líquido dos travões, gasolina, produtos à base de petróleo, óleos penetrantes, etc., entrem em contacto com as peças de plástico. Os químicos podem danificar, enfraquecer ou destruir o plástico o que pode dar origem a ferimentos sérios.

AVISO: Para reduzir o risco de fogo, ferimentos e danos no produto devido a um curto-circuito, nunca coloque a máquina, bateria ou carregador dentro de líquidos, nem permita que um líquido entre no produto. Líquidos corrosivos ou condutores, como água do mar, alguns químicos industriais e lixívia ou produtos com lixívia podem causar um curto-circuito.

ESVAZIAR O DEPÓSITO DO PÓ

1. Retire a tampa da porta de drenagem para esvaziar o líquido no depósito do pó para um recipiente adequado ou dreno, se disponível.
2. Retire o conjunto da cabeça motora do depósito do pó.
3. Retire o saco do pó, caso esteja instalado.
4. Limpe todo o lixo ou sujidade do depósito do pó, e lave com água e detergente neutro.
5. Deixe o depósito do pó secar antes de voltar a montar o conjunto da cabeça motora.

MANUTENÇÃO DO FILTRO

Sistema de limpeza automática do filtro

1. Ligue a mangueira de aspiração na porta de entrada de aspiração do aspirador, e instale a outra extremidade da mangueira na ficha de limpeza automática do filtro (Imagem K1).
2. Instale a bateria e prima o botão da alimentação para ligar a máquina.
3. Selecione o modo de velocidade desejado e prima o botão de iniciar/parar para ligar a máquina.
4. Prima o botão de limpeza automática do filtro para limpar o filtro (Imagem K2).

DICAS: Para obter o melhor efeito de limpeza, recomendamos que selecione o modo do TURBO e que prima o botão de limpeza automática do filtro cinco vezes, e que mantenha premido durante 3 segundos de cada vez.

K1-1	Porta de entrada de aspiração	K1-2	Mangueira de aspiração
K1-3	Ficha de limpeza automática do filtro	K2-1	Botão de limpeza automática

Lavagem do filtro

Retire a bateria e examine o filtro, levantando o conjunto da cabeça motora. Se o filtro continuar sujo após seguir os passos na secção “Sistema de limpeza automática do filtro”, retire o filtro e passe-o por água fria. Deixe o filtro secar por completo e volte a instalá-lo.

Substituir o filtro (Imagem L1 e Imagem L2)

AVISO: Verifique o filtro periodicamente e substitua-o se estiver gasto ou danificado. Usar um filtro danificado pode dar origem à libertação de contaminantes suspensos no ar indesejados da lata.

1. Levante o conjunto da cabeça motora e coloque-o de lado (Imagem L1).
2. Desdobre a pega do suporte do filtro e puxe o suporte com o filtro para fora (Imagem L2).
3. Com um pano ligeiramente embebido em água, retire qualquer pó e detritos da área do filtro.
4. Instale um filtro novo ou limpo no suporte.
5. Coloque o suporte na área do filtro e dobre a pega.

L1-1	Pega	L1-2	Suporte do filtro
------	------	------	-------------------

GUARDAR O ASPIRADOR

1. Retire a bateria do aspirador.
2. Limpe bem o aspirador antes de o guardar.
3. Guarde o aspirador num local seco, bem ventilado, trancado ou elevado, fora do alcance das crianças. Não guarde o aspirador em cima ou perto de fertilizantes, gasolina ou outros químicos.

PROTEJA O AMBIENTE

Não elimine equipamento elétrico, bateria gasta nem carregador juntamente com o lixo doméstico comum! Leve este produto a um centro de reciclagem autorizado para que possa haver uma separação das peças. As ferramentas elétricas têm de ser devolvidas em instalações de reciclagem ambientalmente compatíveis.

PT

RESOLUÇÃO DE PROBLEMAS

PT

PROBLEMA	CAUSA	SOLUÇÃO
O aspirador não liga.	<ul style="list-style-type: none"> ■ A carga da bateria está baixa. ■ A bateria não foi instalada corretamente. 	<ul style="list-style-type: none"> ■ Carregue a bateria. ■ Faça deslizar a bateria para o aspirador até encaixar na respetiva posição.
A potência de aspiração está fraca.	<ul style="list-style-type: none"> ■ Existe um bloqueio na mangueira de aspiração ou na entrada de aspiração. ■ O filtro está obstruído por pó fino. ■ O depósito do pó está cheio. ■ A carga da bateria está baixa. ■ A tampa da porta de drenagem foi retirada do depósito do pó. 	<ul style="list-style-type: none"> ■ Verifique e elimine o bloqueio na mangueira de aspiração ou na entrada de aspiração. ■ Limpe o filtro, seguindo a secção “MANUTENÇÃO DO FILTRO” neste manual. ■ Esvazie o depósito do pó. ■ Carregue a bateria. ■ Instale a tampa da porta de drenagem no depósito do pó.
A máquina funciona, mas não há aspiração.	<ul style="list-style-type: none"> ■ O conjunto da cabeça motora não está instalado por completo no depósito do pó. 	<ul style="list-style-type: none"> ■ Certifique-se de que o conjunto da cabeça motora está instalado por completo no depósito do pó.
Sai pó da porta de saída de sopro.	<ul style="list-style-type: none"> ■ O filtro está em falta ou foi instalado incorretamente. ■ O filtro está danificado. 	<ul style="list-style-type: none"> ■ Verifique se o filtro está instalado corretamente. ■ Substitua por um filtro novo.
O aspirador não pode ser controlado com o telecomando.	<ul style="list-style-type: none"> ■ O telecomando não foi emparelhado ao aspirador. ■ O telecomando tem pouca energia. ■ O telecomando está danificado. 	<ul style="list-style-type: none"> ■ Efetue o emparelhamento do telecomando com o aspirador seguindo o capítulo “Emparelhar ao telecomando” neste manual. ■ Carregue o telecomando. ■ Use um novo telecomando e efetue o emparelhamento do telecomando.

GARANTIA

POLÍTICA DE GARANTIA EGO

Visite o website egopowerplus.eu para os termos e condições completos da política de garantia da EGO.

LEGGERE TUTTE LE ISTRUZIONI!



LEGGERE IL MANUALE DI ISTRUZIONI.

⚠ AVVERTENZA! Per garantire sicurezza e affidabilità, tutte le operazioni di riparazione e sostituzione devono essere effettuate da un tecnico qualificato.

IT

SIMBOLI DI SICUREZZA

Lo scopo dei simboli di sicurezza è attirare l'attenzione dell'operatore su possibili pericoli. I simboli di sicurezza e le relative spiegazioni richiedono la massima attenzione e comprensione da parte dell'operatore. Le avvertenze espresse dai simboli, da sole, non eliminano tutti i rischi. Le istruzioni e le avvertenze non sostituiscono le adeguate misure di prevenzione contro gli incidenti.

⚠ AVVERTENZA! Accertarsi di aver letto e compreso tutte le istruzioni di sicurezza in questo manuale, inclusi tutti i simboli di avvertenza come "PERICOLO", "AVVERTENZA" e "ATTENZIONE", prima di usare l'apparecchio. Il mancato rispetto di tutte le istruzioni elencate di seguito comporta il rischio di scossa elettrica, incendio e/o lesioni gravi.

SIGNIFICATO DEI SIMBOLI

⚠ SIMBOLO DI AVVERTENZA: indica PERICOLO, AVVERTENZA o ATTENZIONE; può essere usato in combinazione con altri simboli o icone.

AVVERTENZE DI SICUREZZA

Questa pagina illustra e descrive i simboli di sicurezza che possono essere presenti sull'apparecchio. Leggere, comprendere e seguire tutte le istruzioni sull'apparecchio prima di tentare di assemblarlo e ripararlo.



Avvertenza di sicurezza



Per ridurre il rischio di infortuni, leggere il manuale di istruzioni.



Gli apparecchi elettrici non devono essere smaltiti insieme ai rifiuti domestici. Portarli presso un centro di riciclaggio autorizzato.



Corrente continua



Questo prodotto è conforme alle direttive europee applicabili.



Conforme ai requisiti del Regno Unito

IPX4 Protezione da schizzi d'acqua

L Litro

kg Chilogrammo

V Volt

°C Grado Celsius

L/min Litri al minuto

Pa Pascal

⚠ AVVERTENZA! Leggere e comprendere tutte le istruzioni. Il mancato rispetto di tutte le istruzioni elencate di seguito comporta il rischio di scossa elettrica, incendio e/o lesioni gravi.


Questo apparecchio non deve essere usato da persone (bambini inclusi) con ridotte capacità fisiche, mentali o sensoriali o prive di esperienza e conoscenza, a meno che non siano sorvegliate o siano state istruite sull'uso dell'apparecchio da una persona responsabile della loro sicurezza.

IT

- Supervisionare i bambini per assicurarsi che non giochino con l'apparecchio.
- Non esporre l'apparecchio o la batteria a temperature eccessive.
- Gli oggetti metallici possono causare il corto circuito dei terminali delle batterie o degli apparecchi alimentati a batteria.
- Rimuovere le batterie ricaricabili dall'apparecchio prima di ricaricarle.
- Non usare contemporaneamente diversi tipi di batterie o batterie nuove e batterie usate.
- Rimuovere le batterie scariche dall'apparecchio e smaltirle in modo sicuro.
- In previsione di un lungo periodo di inutilizzo dell'apparecchio, rimuovere le batterie.
- Non sostituire le batterie ricaricabile con batterie monouso.
- Non usare batterie modificate o danneggiate.
- **Usare esclusivamente i gruppi batteria e i caricabatteria specificati.**

Conservare queste istruzioni. Consultarle frequentemente e usarle per istruire gli altri operatori dell'apparecchio. In caso di cessione dell'apparecchio a terzi, allegare anche queste istruzioni per evitare l'uso scorretto e il rischio di lesioni.

SPECIFICHE TECNICHE

Tensione	56 V 		
Capacità del contenitore dei detriti	34 L		
Livelli di velocità	Bassa	Alta	Turbo
Flusso d'aria max (L/min)	1900	2500	3100
Potenza di aspirazione max (Pa)	10000	15900	24800

Telecomando	Temperatura di ricarica	Da 0°C a 45°C
	Tensione di ricarica max	5 V
	Corrente di ricarica max	1 A
Peso (senza gruppo batteria)		12,1 kg
Temperatura di funzionamento raccomandata		Da -5°C a 40°C
Temperatura di conservazione raccomandata		Da -20°C a 70°C

CONTENUTO DELL'IMBALLAGGIO (FIG. A1 E A2)

ACCESSORI RACCOMANDATI

⚠ AVVERTENZA! Usare esclusivamente gli accessori elencati di seguito. L'uso di accessori che non soddisfano le specifiche originali possono compromettere le prestazioni e la sicurezza dell'apparecchio.

ACCESSORIO	NUMERO MODELLO
Sacchetti della polvere (5 pz)	AVG0905
Filtro di ricambio	AVF0900

DESCRIZIONE

COMPONENTI DELL'ASPIRATORE UMIDO/SECCO (FIG. A1 E A2)

1. Gruppo unità motore
2. Impugnatura
3. Scomparo porta-accessori
4. Fermaglio del contenitore dei detriti (x2)
5. Ruota posteriore (x2)
6. Contenitore dei detriti
7. Ruota pivotante con freno (x2)
8. Tappo dell'apertura di drenaggio
9. Bocchetta per fessure
10. Apertura di aspirazione
11. Pannello di controllo
12. Supporti per tubo di aspirazione
13. Apertura di soffiaggio

14. Porta-accessori temporaneo
15. Bocchetta per pavimenti grande + spazzola a barra
16. Tubi di prolunga
17. Pulsante di rilascio della batteria
18. Pulsante della pulizia automatica del filtro
19. Connettore per la pulizia automatica del filtro
20. Tubo di aspirazione
21. Pulsante di rilascio del tubo
22. Regolatore della potenza di aspirazione
23. Supporto per telecomando
24. Barra in gomma
25. Sacchetto della polvere
26. Cavo di ricarica del telecomando
27. Telecomando
28. Bocchetta rotonda con setole
29. Bocchetta per pavimenti compatta
30. Adattatore per utensile elettrico
31. Pulsante di accensione
32. Pulsante di avvio/arresto
33. Pulsante della velocità
34. Indicatore della velocità
35. Pulsante TURBO
36. Indicatore TURBO
37. Filtro
38. Supporto del filtro
39. Sensore del liquido (x4)
40. Supporto del sacchetto della polvere
41. Apertura di drenaggio

ASSEMBLAGGIO

COLLEGAMENTO/RIMOZIONE DEL TUBO DI ASPIRAZIONE

Collegamento: inserire l'estremità del tubo nell'apertura di aspirazione o nell'apertura di soffiaggio fino a udire un "clic" (Fig. B1).

Rimozione: tenere premuti i pulsanti di rilascio del tubo ed estrarre il tubo (Fig. B2).

B1-1	Tubo di aspirazione	B1-2	Apertura di aspirazione
B1-3	Apertura di soffiaggio	B2-1	Pulsanti di rilascio del tubo

COLLEGAMENTO/RIMOZIONE DEI TUBI DI PROLUNGA (FIG. C)

In base alle necessità, è possibile collegare uno o due tubi di prolunga al tubo di aspirazione.

Collegamento: inserire l'estremità stretta del tubo di prolunga nel tubo di aspirazione finché il tubo di prolunga non è bloccato in posizione.

Rimozione: tirare il tubo di prolunga per rimuoverlo dal tubo di aspirazione.

Procedere allo stesso modo per collegare/rimuovere il secondo tubo di prolunga dal primo.

C-1	Tubo di aspirazione	C-2	Estremità stretta
C-3	Estremità larga	C-4	Tubi di prolunga

INSTALLAZIONE/RIMOZIONE DELLE BOCCHETTE

Selezionare la bocchetta desiderata e installarla direttamente sul tubo di aspirazione o sul tubo di prolunga (Fig. D1).

- Per collegare una bocchetta al tubo di prolunga, inserire la bocchetta nel tubo di prolunga finché non si blocca in posizione. Per scollegare la bocchetta, tirarla per rimuoverla dal tubo di prolunga.
- Per collegare una bocchetta direttamente al tubo di aspirazione, allineare la sporgenza sulla bocchetta con la scanalatura sul tubo di aspirazione e inserire la bocchetta nel tubo di aspirazione fino a udire un "clic". Per scollegare la bocchetta, tenere premuto il pulsante di rilascio.

D1-1	Pulsante di rilascio	D1-2	Scanalatura
D1-3	Tubi di prolunga (opzionali)	D1-4	Sporgenza
D1-5	Bocchetta		

Bocchetta per fessure (Fig. D2)

Le aree ristrette e buie possono essere pulite facilmente con la bocchetta per fessure combinata con la luce integrata del telecomando.

Collegare la bocchetta per fessure al tubo di aspirazione e fissare il telecomando all'apposito supporto sul tubo di aspirazione. Premere il pulsante della luce sul telecomando per illuminare la bocchetta trasparente.

D2-1	Bocchetta per fessure	D2-2	Pulsante della luce
D2-3	Telecomando		

Adattatore per utensile elettrico (Fig. D3)

L'adattatore per utensile elettrico permette di collegare l'aspiratore a un utensile elettrico con apertura per l'estrazione della polvere da 32 mm.

Dopo aver collegato il tubo di aspirazione all'apertura di aspirazione dell'aspiratore, inserire l'adattatore per utensile elettrico nell'aspiratore finché non si blocca in posizione,

quindi collegare l'adattatore all'apertura per l'estrazione della polvere dell'utensile elettrico.

⚠ AVVERTENZA! L'adattatore per utensile elettrico non può essere collegato ai tubi di prolunga. Non forzare il collegamento per evitare di danneggiare l'adattatore per utensile elettrico o i tubi di prolunga.

IT

D3-1	Utensile elettrico (non incluso)	D3-2	Adattatore per utensile elettrico
D3-3	Tubo di aspirazione	D3-4	Apertura di aspirazione

Bocchetta per pavimenti grande + spazzola a barra/ barra in gomma (Fig. D4)

La bocchetta per pavimenti grande può essere combinata con la spazzola a barra o la barra in gomma.

Aprire leggermente entrambe le estremità della barra e premerle per rimuovere la barra dalla bocchetta.

Per installare la barra, spingere le estremità della barra nei fori della bocchetta fino a udire un "clic".

D4-1	Bocchetta per pavimenti grande	D4-2	Fori della bocchetta
D4-3	Barra in gomma	D4-4	Estremità della barra

INSTALLAZIONE/RIMOZIONE DEL GRUPPO UNITÀ MOTORE

Installazione: premere le parti inferiori dei fermagli del contenitore dei detriti, abbassare il gruppo unità motore sul contenitore dei detriti, quindi premere le parti superiori dei fermagli del contenitore dei detriti (Fig. E1 e E2).

Rimozione: premere le parti inferiori dei fermagli del contenitore dei detriti, quindi sollevare il gruppo unità motore (Fig. E3).

INSTALLAZIONE/RIMOZIONE DEL SACCHETTO DELLA POLVERE

- Sbloccare il contenitore dei detriti e sollevare il gruppo unità motore.
- Installazione:** inserire la piastra del sacchetto della polvere nelle scanalature del supporto del sacchetto finché la piastra non scivola dalle sporgenze. Spiegare manualmente il sacchetto della polvere prima di aspirare la polvere o i detriti (Fig. F1).
Rimozione: sollevare leggermente la piastra dalle sporgenze, quindi estrarla dalle scanalature per rimuovere il sacchetto della polvere (Fig. F2).

F1-1	Supporto del sacchetto della polvere	F1-2	Scanalatura
F1-3	Sacchetto della polvere	F1-4	Piastra
F2-1	Sporgenza		

UTILIZZO

DESTINAZIONE D'USO

Questo apparecchio può essere usato per gli scopi elencati di seguito.

- Aspirazione di sostanze liquide o solide usando l'apertura di aspirazione.
- Come soffiatore usando l'apertura di soffiaggio.

INSTALLAZIONE/RIMOZIONE DEL GRUPPO BATTERIA

Usare esclusivamente i gruppi batteria e i caricabatteria EGO elencati in Fig. A3.

Consultare il manuale dei gruppi batteria e del caricabatteria per le istruzioni dettagliate.

Ricaricare completamente la batteria prima del primo utilizzo.

Installazione

Allineare le sporgenze sul gruppo batteria con le scanalature di fissaggio e fare scorrere il gruppo batteria sull'aspiratore fino a udire un "clic" (Fig. G1).

Rimozione

Premere il pulsante di rilascio della batteria ed estrarre il gruppo batteria (Fig. G2).

G1-1	Scanalatura di fissaggio	G1-2	Sporgenza
G2-1	Pulsante di rilascio della batteria		

AVVIO/ARRESTO DELL'ASPIRATORE UMIDO/SECCO (FIG. H)

Avvio dell'aspiratore

- Verificare che il gruppo unità motore sia installato sul contenitore dei detriti e che il contenitore dei detriti sia installato saldamente. Assicurarsi che il tubo di aspirazione, gli eventuali tubi di prolunga e la bocchetta siano collegati correttamente.

NOTA: l'aspiratore entrerà in funzione solo se il gruppo unità motore è installato correttamente sul contenitore dei detriti.

2. Installare il gruppo batteria.
3. Premere il pulsante di accensione per accendere l'aspiratore.
4. Premere il pulsante della velocità per selezionare la velocità bassa o alta, quindi premere il pulsante di avvio/arresto per avviare l'aspiratore. In alternativa, premere il pulsante TURBO per avviare l'aspiratore alla velocità massima.

NOTA: la velocità può essere regolata anche quando l'aspiratore è in funzione. Per maggiori informazioni, consultare la sezione **"SELEZIONE DELLA VELOCITÀ"**.

Arresto dell'aspiratore

1. Al termine dell'uso, o quando il contenitore dei detriti è pieno, premere il pulsante di avvio/arresto per arrestare l'aspiratore.
2. In alternativa, premere il pulsante di accensione per spegnere completamente l'aspiratore.
3. Rimuovere il gruppo batteria.
4. Svuotare il contenitore dei detriti in un recipiente adatto o in uno scarico.

NOTA: dopo averlo arrestato, al riavvio l'aspiratore tornerà all'ultima velocità normale selezionata.

Indicatore luminoso del pulsante di accensione

Colore del pulsante di accensione	Significato	Azione
Verde fisso	L'apparecchio è in standby.	Non è necessario intervenire. L'aspiratore si spegne automaticamente dopo 1 ora di inutilizzo.
	L'apparecchio funziona correttamente.	Funzionamento normale.
Verde lampeggiante 6 volte, quindi spento	Il livello di liquido nel contenitore ha raggiunto l'estremità inferiore dei sensori del liquido.	Arrestare l'aspiratore, rimuovere il gruppo batteria, quindi svuotare il contenitore come descritto in questo manuale.

Verde lampeggiante continuativamente	Errore elettronico.	Contattare il centro di assistenza EGO per la riparazione.
--------------------------------------	---------------------	--

SELEZIONE DELLA VELOCITÀ

Velocità normali

- A ogni pressione del pulsante della velocità, la velocità passerà da bassa ad alta e viceversa. L'indicatore della velocità si illumina di verde in base alla velocità selezionata.
- L'aspiratore memorizzerà l'ultima velocità selezionata e la ripristinerà al successivo riavvio.

Velocità TURBO

- Premere il pulsante TURBO; l'indicatore TURBO si illuminerà di verde e l'aspiratore funzionerà alla velocità TURBO, ovvero alla velocità massima.
- Per disattivare la velocità TURBO, premere nuovamente il pulsante TURBO, oppure premere il pulsante della velocità, il pulsante di avvio/arresto o il pulsante di accensione; l'indicatore TURBO si spegnerà.

NOTA: dopo aver disattivato la velocità TURBO, l'aspiratore tornerà all'ultima velocità normale selezionata.

REGOLAZIONE DELLA POTENZA DI ASPIRAZIONE (Fig. I)

Durante l'aspirazione, il flusso d'aria all'estremità del tubo di aspirazione può essere regolato ruotando il regolatore della potenza di aspirazione. Per diminuire la potenza di aspirazione, scoprire l'uscita dell'aria; per aumentarla, coprire l'uscita dell'aria.

Questa funzione è particolarmente utile se il tubo di aspirazione viene ostruito da tappeti, tessuti, ecc. durante l'uso; in tal caso, ruotare il regolatore per scoprire l'uscita dell'aria e diminuire la potenza di aspirazione.

I-1	Regolatore della potenza di aspirazione	I-2	Uscita dell'aria
-----	---	-----	------------------

TELECOMANDO

- Il telecomando può essere fissato sul tubo di aspirazione durante l'aspirazione (Fig. J1).
- Quando l'aspiratore è acceso, è possibile avviarlo, arrestarlo o attivare la velocità TURBO usando il telecomando.

NOTA: il telecomando non permette di passare dalla bassa velocità all'alta velocità e viceversa.

- Il telecomando può essere usato anche come torcia per illuminare le aree buie, in particolare durante l'uso della bocchetta per fessure.

Abbinamento del telecomando (Fig. J2)

Il telecomando è già abbinato all'aspiratore. Se il telecomando viene danneggiato o smarrito, procedere come descritto di seguito per abbinare il nuovo telecomando all'aspiratore.

1. Installare il gruppo batteria.
2. Premere il pulsante di accensione per accendere l'aspiratore.
3. Tenere premuto il pulsante di avvio/arresto sull'aspiratore finché l'indicatore del pulsante di accensione non lampeggia lentamente di verde.
4. Premere il pulsante TURBO o il pulsante di avvio/arresto sul telecomando non appena l'indicatore del pulsante di accensione inizia a lampeggiare lentamente di verde.
5. Al termine dell'abbinamento, l'indicatore del pulsante di accensione lampeggerà rapidamente di verde, quindi rimarrà acceso di verde.

Indicatore luminoso del telecomando

Colore dell'indicatore	Significato	Azione
Verde lampeggiante rapidamente	La batteria del telecomando è quasi scarica.	Ricaricare il telecomando.
Verde lampeggiante lentamente	Il telecomando è sotto carica.	Non è necessario intervenire.
Verde fisso	La ricarica del telecomando è terminata.	Scollegare il cavo di ricarica dal telecomando e dalla fonte di alimentazione.

NOTA: durante l'uso, l'indicatore del telecomando si illuminerà brevemente a ogni pressione del pulsante TURBO o del pulsante di avvio/arresto.

Ricarica del telecomando (Fig. J3)

Periodicamente sarà necessario ricaricare la batteria integrata nel telecomando.

⚠ AVVERTENZA! Le seguenti avvertenze si applicano alla batteria Li-ion ricaricabile integrata nel telecomando.

- Rischio di incendio e ustioni.
- Non aprire, schiacciare, esporre a temperature superiori a 60 °C e non bruciare la batteria.
- Non corto circuitare la batteria.
- Interrompere l'uso della batteria se si gonfia.

1. Aprire il coperchio della presa USB-C.
2. Collegare l'estremità USB-C del cavo di ricarica incluso alla presa USB-C del telecomando.
3. Collegare l'altra estremità del cavo di ricarica a un adattatore/caricabatteria USB compatibile (non incluso). La ricarica completa della batteria può richiedere fino a 2 ore.
4. Al termine della ricarica, scollegare il cavo di ricarica e chiudere il coperchio della presa USB-C per proteggere la presa USB-C.

J3-1	Coperchio della presa USB-C	J3-2	Presa USB-C
J3-3	Cavo di ricarica		

FUNZIONI DELL'ASPIRATORE

Aspirazione di sostanze umide

- Non usare il sacchetto della polvere durante l'aspirazione di sostanze umide.
- Spegnerne immediatamente l'aspiratore quando il contenitore dei detriti è pieno. Svuotare il contenitore dei detriti in un recipiente adatto o in uno scarico.
- Pulire periodicamente l'interno del contenitore dei detriti, il filtro e gli accessori, e più di frequente in caso di aspirazione di sostanze umide e appiccicose.

Aspirazione di sostanze secche

- Assicurarsi che il filtro sia completamente asciutto dopo aver aspirato sostanze umide; in caso contrario, usare un altro filtro. Un filtro umido o bagnato verrà ostruito dalla polvere e potrebbe ammuffire.
- Per ridurre l'esposizione alla polvere di silice, usare il sacchetto della polvere.
- Spegnerne immediatamente l'aspiratore quando il sacchetto della polvere o il contenitore dei detriti è pieno.
- Svuotare il contenitore dei detriti in un recipiente adatto o in uno scarico.

Soffiatore

⚠ AVVERTENZA! Durante l'uso dell'apparecchio come soffiatore, indossare sempre protezioni per gli occhi.

⚠ AVVERTENZA! Per evitare il rischio di incendio, non soffiare sostanze infiammabili o combustibili come la benzina, e non usare l'apparecchio in aree in cui tale sostanze possono essere presenti.

⚠ AVVERTENZA! Non dirigere il flusso d'aria verso persone o animali.

MANUTENZIONE

⚠ AVVERTENZA! Per evitare lesioni gravi, rimuovere il gruppo batteria dall'apparecchio prima di pulirlo, ripararlo, sostituire gli accessori o rimuovere del materiale dall'apparecchio.

MANUTENZIONE GENERALE

Evitare l'uso di solventi durante la pulizia delle parti in plastica. I solventi disponibili in commercio possono danneggiare la maggior parte dei componenti in plastica. Usare un panno pulito per rimuovere sporcizia, polvere, olio, grasso, ecc.

⚠ AVVERTENZA! Evitare che sostanze come liquidi per i freni, benzina, prodotti a base di petrolio, ecc. entrino a contatto con le parti in plastica. Le sostanze chimiche possono danneggiare, indebolire o distruggere la plastica, con il rischio di lesioni gravi.

⚠ AVVERTENZA! Per ridurre il rischio di incendio, lesioni personali e danni all'apparecchio a causa di un corto circuito, non immergere l'apparecchio, il gruppo batteria o il caricabatteria in alcun liquido ed evitare l'infiltrazione di liquidi al loro interno. Liquidi corrosivi o conduttivi come l'acqua di mare, alcune sostanze chimiche industriali, candeggina e prodotti contenenti candeggina possono causare un corto circuito.

PULIZIA DEL CONTENITORE DEI DETRITI

1. Rimuovere il tappo dell'apertura di drenaggio per drenare i liquidi all'interno del contenitore dei detriti in un recipiente adatto o uno scarico, se disponibile.
2. Rimuovere il gruppo unità motore dal contenitore dei detriti.
3. Rimuovere il sacchetto della polvere, se presente.
4. Rimuovere tutta la sporcizia e i detriti dal contenitore dei detriti e pulirlo con acqua e un detergente neutro.
5. Lasciare che il contenitore dei detriti si asciughi prima di reinstallare il gruppo unità motore.

MANUTENZIONE DEL FILTRO

Pulizia automatica del filtro

1. Collegare il tubo di aspirazione all'apertura di

aspirazione dell'aspiratore e collegare l'altra estremità del tubo al connettore per la pulizia automatica del filtro (Fig. K1).

2. Installare il gruppo batteria e premere il pulsante di accensione dell'apparecchio.
3. Selezionare la velocità desiderata e premere il pulsante di avvio/arresto per avviare l'apparecchio.
4. Premere il pulsante della pulizia automatica del filtro per pulire il filtro (Fig. K2).

SUGGERIMENTO: per ottimizzare la pulizia, si raccomanda di selezionare la velocità TURBO e di premere il pulsante della pulizia automatica del filtro cinque volte, e di tenerlo premuto per 3 secondi ogni volta.

K1-1	Apertura di aspirazione	K1-2	Tubo di aspirazione
K1-3	Connettore per la pulizia automatica del filtro	K2-1	Pulsante della pulizia automatica del filtro

Lavaggio del filtro

Rimuovere il gruppo batteria, sollevare il gruppo unità motore e ispezionare il filtro. Se il filtro è ancora sporco dopo aver seguito i passaggi alla sezione "Pulizia automatica del filtro", rimuoverlo e risciacquarlo con acqua fredda. Lasciare che il filtro si asciughi completamente, quindi reinstallarlo.

Sostituzione del filtro (Fig. L1 e Fig. L2)

⚠ AVVERTENZA! Ispezionare periodicamente il filtro e sostituirlo se è usurato o danneggiato. L'uso di un filtro danneggiato può causare la fuoriuscita di sostanze inquinanti dal contenitore dei detriti.

1. Sollevare il gruppo unità motore e appoggiarlo su un lato (Fig. L1).
2. Sollevare l'impugnatura del supporto del filtro ed estrarre il supporto insieme al filtro (Fig. L2).
3. Usare un panno umido per rimuovere polvere e detriti dall'area del filtro.
4. Installare il nuovo filtro, o il filtro pulito, sul supporto.
5. Posizionare il supporto nell'area del filtro e abbassare l'impugnatura.

L1-1	Impugnatura	L1-2	Supporto del filtro
------	-------------	------	---------------------

CONSERVAZIONE DELL'ASPIRATORE

1. Rimuovere il gruppo batteria dall'aspiratore.
2. Pulire accuratamente l'aspiratore prima di riporlo.

3. Conservare l'aspiratore in un luogo asciutto, ben ventilato, elevato o chiuso a chiave, e fuori dalla portata dei bambini. Non conservare l'aspiratore sopra o in prossimità di fertilizzanti, benzina o altre sostanze chimiche.

PROTEZIONE DELL'AMBIENTE

IT



Non smaltire gli apparecchi elettrici, i caricabatteria e le batterie insieme ai rifiuti domestici. Portare il prodotto presso un centro di riciclaggio autorizzato affinché venga raccolto separatamente. Gli apparecchi elettrici devono essere portati presso un centro di riciclaggio ecocompatibile.

RISOLUZIONE DEI PROBLEMI

PROBLEMA	CAUSA	SOLUZIONE
L'aspiratore non si avvia.	<ul style="list-style-type: none"> ■ Il gruppo batteria è quasi scarico. ■ Il gruppo batteria non è installato correttamente. 	<ul style="list-style-type: none"> ■ Ricaricare il gruppo batteria. ■ Fare scorrere il gruppo batteria sull'aspiratore finché non si blocca in posizione.
Bassa potenza di aspirazione.	<ul style="list-style-type: none"> ■ Il tubo di aspirazione o l'apertura di aspirazione sono ostruiti. ■ Il filtro è ostruito da polvere fine. ■ Il contenitore dei detriti è pieno. ■ Il gruppo batteria è quasi scarico. ■ Il tappo dell'apertura di drenaggio è stato rimosso dal contenitore dei detriti. 	<ul style="list-style-type: none"> ■ Ispezionare il tubo di aspirazione o l'apertura di aspirazione e rimuovere l'ostruzione. ■ Pulire il filtro come descritto alla sezione "MANUTENZIONE DEL FILTRO" in questo manuale. ■ Svuotare il contenitore dei detriti. ■ Ricaricare il gruppo batteria. ■ Installare il tappo dell'apertura di drenaggio sul contenitore dei detriti.
L'apparecchio è in funzione ma non aspira.	<ul style="list-style-type: none"> ■ Il gruppo unità motore non è installato correttamente sul contenitore dei detriti. 	<ul style="list-style-type: none"> ■ Assicurarsi che il gruppo unità motore sia installato correttamente sul contenitore dei detriti.
Fuoriuscite di polvere dall'apertura di soffiaggio.	<ul style="list-style-type: none"> ■ Il filtro è assente o installato in modo scorretto. ■ Il filtro è danneggiato. 	<ul style="list-style-type: none"> ■ Assicurarsi che il filtro sia installato correttamente. ■ Sostituire il filtro.
Il telecomando non controlla l'aspiratore.	<ul style="list-style-type: none"> ■ Il telecomando non è abbinato all'aspiratore. ■ La batteria del telecomando è quasi scarica. ■ Il telecomando è danneggiato. 	<ul style="list-style-type: none"> ■ Abbinare il telecomando all'aspiratore come descritto alla sezione "Abbinamento del telecomando" in questo manuale. ■ Ricaricare il telecomando. ■ Usare un nuovo telecomando e abbinarlo all'aspiratore.

GARANZIA

CONDIZIONI DELLA GARANZIA EGO

Visitare il sito web egopowerplus.eu per consultare le condizioni complete della garanzia EGO.

LEES ALLE INSTRUCTIES!



LEES DE GEBRUIKSAANWIJZING

⚠ WAARSCHUWING: Laat alle reparaties uitvoeren door een vakbekwame reparateur om een continue veiligheid en betrouwbaarheid te waarborgen.

NL

VEILIGHEIDSSYMBOLEN

Het doel van de veiligheidssymbolen is om u te wijzen op mogelijke gevaren. Besteed daarom voldoende aandacht hieraan en begrijp de veiligheidssymbolen en bijbehorende uitleg. De symboolwaarschuwingen op zich elimineren geen enkel gevaar. De verstrekte instructies en waarschuwingen gelden niet als vervanging voor gepaste voorzorgsmaatregelen tegen ongevallen.

⚠ WAARSCHUWING: Lees en begrijp alle veiligheidsinstructies die in deze gebruiksaanwijzing staan vermeld, waaronder alle veiligheidssymbolen zoals “GEVAAR”, “WAARSCHUWING” en “OPGELET” voordat u deze machine in gebruik neemt. Het negeren van onderstaande instructies kan leiden tot een elektrische schok, brand en/of ernstig persoonlijk letsel.

BETEKENIS VAN DE SYMBOLEN

⚠ VEILIGHEIDS-WAARSCHUWINGSSYMBOL: Duidt op **GEVAAR**, **WAARSCHUWING**, of **OPGELET**, kan worden gebruikt in combinatie met andere symbolen of pictogrammen.

VEILIGHEIDSINSTRUCTIES

Deze pagina toont en beschrijft alle veiligheidssymbolen die zich op dit product kunnen bevinden. Lees, begrijp en volg alle instructies op de machine voordat u deze in elkaar steekt en gebruikt.



Veiligheidswaarschuwing



De gebruiker moet de gebruiksaanwijzing lezen om het risico op letsel te beperken.



Gooi elektrisch afval niet via het huishoudelijk afval weg. Breng het naar een geautoriseerd recyclingbedrijf.



Gelijkstroom



Dit product is in overeenstemming met de EG-richtlijnen.



GB conformiteit beoordeeld

IPX4 Bescherming tegen opspattend water

L Liter

kg Kilogram

V Volt

°C Celsius

L/min Liter per minuut

Pa Pascal

WAARSCHUWING: Lees en begrijp alle instructies. Het negeren van onderstaande instructies kan leiden tot een elektrische schok, brand en/of ernstig persoonlijk letsel.

Dit apparaat is niet bedoeld voor gebruikers (waaronder kinderen) met beperkte fysieke, visuele of mentale mogelijkheden, of die een gebrek hebben aan ervaring en kennis, tenzij ze supervisie of instructies hebben gekregen omtrent het gebruik van het apparaat door een persoon die verantwoordelijk is voor hun veiligheid.

- Houd toezicht op kinderen zodat ze niet met het apparaat spelen.
- Stel het apparaat of de batterij niet bloot aan een extreme temperatuur.
- Houd rekening met het risico dat de polen van het op batterijen-aangedreven apparaat of de batterij worden kortgesloten door metalen voorwerpen.
- Oplaadbare batterijen moeten uit het apparaat worden verwijderd voordat ze worden opgeladen
- Verschillende soorten batterijen of nieuwe en gebruikte batterijen mogen niet worden gemengd.
- Lege batterijen moeten uit het apparaat worden verwijderd en veilig worden verwijderd.
- Als het apparaat gedurende een langere periode moet worden opgeborgen en niet wordt gebruikt, moeten de batterijen worden verwijderd.
- Gebruik geen wegwerpbatterijen in plaats van oplaadbare batterijen.
- Gebruik geen aangepaste of beschadigde batterijen.
- **Alleen gebruiken met de gespecificeerde accupacks en opladers.**

Bewaar deze gebruiksaanwijzing. Raadpleeg de gebruiksaanwijzing indien nodig en gebruik deze om andere personen die deze machine zullen gebruiken te instrueren. Al u deze machine aan iemand anders geeft, doe dan tevens deze gebruiksaanwijzing erbij om verkeerd gebruik en mogelijk letsel te voorkomen.

SPECIFICATIES

Spanning	56 V		
Inhoud stofreservoir	34 L		
Snelheidsmodus	Laag	Hoog	TURBO
Max. Luchtstroom (L/min)	1900	2500	3100
Max. Zuigkracht (Pa)	10000	15900	24800

Afstandsbediening	Oplaadtemperatuur	0°C - 45°C
	Max. Oplaadspanning	5 V
	Max. Laadstroom	1 A
Gewicht (zonder accupack)		12.1 kg
Aanbevolen bedrijfstemperatuur		-5°C - 40°C
Aanbevolen opslagtemperatuur		-20°C - 70°C

NL

INHOUD VAN DE VERPAKKING (AFB. A1 & A2)

AANBEVOLEN ACCESSOIRES

⚠ WAARSCHUWING: Gebruik alleen onderstaande accessoires. Het gebruik van accessoires die niet aan de specificaties van de originele uitrusting voldoen kunnen verkeerde prestaties leveren en de veiligheid in gevaar brengen.

NAAM VAN HET ONDERDEEL	MODELNUMMER
Stofzakken (5 stuks)	AVG0905
Reservefilter	AVF0900

BESCHRIJVING

KEN UW ALLESZUIGER (AFB. A1 & A2)

1. Aandrijfkop
2. Handgreep
3. Opbergvak voor accessoires
4. Vergrendeling voor stofreservoir (x2)
5. Achterwiel (x2)
6. Stofreservoir
7. Zwenkwiel met rem (x2)
8. Afvoerpoortdop
9. Spleetmondstuk
10. Zuiginlaatpoort
11. Bedieningspaneel
12. Opbergplaatsen voor zuigslang
13. Blaasuitlaatpoort
14. Tijdelijke opbergruimte voor accessoire
15. Grote vloerzuigmond + borstelstang
16. Verlengbuizen
17. Accuvrijgaveknop
18. Zelfreinigingsknop voor filter
19. Zelfreinigingsplug voor filter

20. Zuigslang
21. Slangvrijgaveknop
22. Zuigregelaar
23. Afstandsbedieningshouder
24. Rubberen stang
25. Stofzak
26. Opladkabel voor afstandsbediening
27. Afstandsbediening
28. Ronde stofborstel
29. Compact vloerzuigmond
30. Adapter voor elektrisch gereedschap
31. Stroomknop
32. Start/stop-knop
33. Snelheidsknop
34. Snelheidscontrolelampje
35. TURBO-knop
36. TURBO-controlelampje
37. Filter
38. Filterbeugel
39. Vloeistofsensoren (x4)
40. Stofzakbeugel
41. Afvoerpoort

MONTAGE

DE ZUIGSLANG AANSLUITEN/LOSKOPPELEN

Om aan te sluiten, duw het uiteinde van de slang in de zuiginlaatpoort of de blaasuitlaatpoort totdat u een “klik” hoort (Afb. B1).

Om los te koppelen, houd de slangvrijgaveknoppen ingedrukt om de slang te verwijderen (Afb. B2).

B1-1	Zuigslang	B1-2	Zuiginlaatpoort
B1-3	Blaasuitlaatpoort	B2-1	Slangvrijgaveknoppen

DE VERLENGBUIZEN AANSLUITEN/LOSKOPPELEN (AFB. C)

Sluit naar wens één of twee verlengbuizen aan op de zuigslang.

Om aan te sluiten, steek het smalle uiteinde van de verlengbuis zo ver mogelijk in de zuigslang totdat de verlengbuis op zijn plaats vast komt te zitten.

Om los te koppelen, trek de verlengbuis uit de zuigslang.

De tweede verlengbuis wordt op dezelfde manier aan de eerste buis aangesloten/losgekoppeld.

C-1	Zuigslang	C-2	Smal uiteinde
C-3	Breed uiteinde	C-4	Verlengbuizen

DE MONDSTUKKEN INSTALLEREN/VERWIJDEREN

Kies een geschikt mondstuk om direct op de zuigslang of op de verlengbuis te monteren, afhankelijk van uw uit te voeren werkzaamheid (Afb. D1).

- Om het mondstuk op de verlengbuis aan te sluiten, steek het mondstuk zo ver mogelijk in de verlengbuis totdat het vast komt te zitten. Om los te koppelen, trekt het mondstuk uit de verlengbuis.
- Om de zuigmond direct op de zuigslang aan te sluiten, lijn de knop op de zuigmond uit met de groef in de zuigslang en steekt de zuigmond in de zuigslang tot u een “klik” hoort. Om los te koppelen, houd u de vrijgaveknop ingedrukt om het mondstuk te verwijderen.

D1-1	Vrijgaveknop	D1-2	Groef
D1-3	Verlengbuizen (optioneel)	D1-4	Knop
D1-5	Mondstuk		

Spleetmondstuk (afb. D2)

Donkere gebieden kunnen gemakkelijk worden schoongemaakt met het spleetmondstuk in combinatie met het geïntegreerde licht van de afstandsbediening.

Sluit het spleetmondstuk aan op de zuigslang en klik de afstandsbediening vast op de afstandsbedieningshouder op de zuigslang. Druk op de lichtknop op de afstandsbediening en het transparante spleetmondstuk licht op.

D2-1	Spleetmondstuk	D2-2	Lichtknop
D2-3	Afstandsbediening		

Adapter voor elektrisch gereedschap (Afb. D3)

Met de adapter voor elektrisch gereedschap kan de alleszuiger worden aangesloten op een elektrisch gereedschap met een 32 mm stofuitlaat.

Steek de adapter voor elektrisch gereedschap zo ver mogelijk in de alleszuiger totdat de adapter voor elektrisch gereedschap vastzit en sluit de adapter vervolgens aan op de stofuitlaat van het elektrisch gereedschap.

⚠ WAARSCHUWING: De adapter voor elektrisch gereedschap kan niet worden aangesloten op een verlengbuis. De installatie geforceerd uitvoeren, kan de adapter of de verlengbuis beschadigen..

D3-1	Elektrisch gereedschap (niet meegeleverd)	D3-2	Adapter voor elektrisch gereedschap
D3-3	Zuigslang	D3-4	Zuiginlaatpoort

Grote vloerzuigmond + borstelstang/rubberen stang (Afb. D4)

De grote vloerzuigmond kan worden gecombineerd met de borstelstang of de rubberen stang.

Open beide uiteinden van de stang lichtjes en druk de uiteinden naar beneden om de stang uit het mondstuk te verwijderen.

Om de stang te installeren, duw de uiteinden van de stang in de gaten van het mondstuk totdat u een "klik" hoort.

D4-1	Grote vloerzuigmond	D4-2	Gaten van spuitmond
D4-3	Rubberen stang	D4-4	Uiteinden van stang

DE AANDRIJFKOP INSTALLEREN/VERWIJDEREN

Om te installeren, druk de onderste delen van de vergrendelingen voor stofreservoir in, laat de aandrijfkop op het stofreservoir zakken en druk vervolgens de bovenste delen van de vergrendelingen voor stofreservoir in (Afb. E1 & E2).

Om te verwijderen, druk de onderste delen van het stofreservoir en til de aandrijfkop vervolgens op (Afb. E3).

DE STOFZAK INSTALLEREN/VERWIJDEREN

- Ontgrendel het stofreservoir en til de aandrijfkop op.
- Om te installeren**, steek alleen de plaat van de stofzak in de sleuf van de stofzakbeugel totdat de plaat langs de ribbels omlaag valt. Vouw de stofzak handmatig open voordat u stof of vuil verzamelt (Afb. F1).

Om te verwijderen, til de plaat lichtjes op over de ribbels en trek de plaat vervolgens uit de gleuf om de stofzak te verwijderen (Afb. F2).

F1-1	Stofzakbeugel	F1-2	Sleuf
F1-3	Stofzak	F1-4	Plaat
F2-1	Ribbels		

WERKING

TOEPASSING

U kunt dit product gebruiken voor onderstaand vermelde doeleinden:

- Opzuigen van vloeistoffen of droog stof wanneer de zuiginlaatpoort wordt gebruikt.
- Werkt als een blazer wanneer de blaasuitlaatpoort wordt gebruikt.

HET ACCUPACK INSTALLEREN/VERWIJDEREN

Gebruik alleen met de in Afb. A3 vermelde accupacks en opladers van EGO.

Raadpleeg de handleidingen van de bijbehorende accupacks en opladers voor meer informatie.

Voor ingebruikname volledig opladen.

Installeren

Breng de ribbels van de accu overeen met de montagesleuven en schuif het accupack op de alleszuiger totdat u "klik" hoort (Afb. G1).

Verwijderen

Druk de accu-ontgrendelingsknop naar beneden en trek het accupack eruit (afb. G2).

G1-1	Montagesleuf	G1-2	Ribbel
G2-1	Accuvrijgaveknop		

DE ALLESZUIGER STARTEN/STOPPEN (AFB. H)

De alleszuiger starten

- Controleer of de aandrijfkop op het stofreservoir is geïnstalleerd en het stofreservoir juist is vergrendeld. Zorg ervoor dat de zuigslang, de vereiste verlengbuis/-zen en het mondstuk juist zijn aangesloten.

OPMERKING: De alleszuiger werkt alleen wanneer de aandrijfkop juist is bevestigd aan het stofcontainer.

- Installeer het accupack.
- Druk op de stroomknop om de alleszuiger in te schakelen.
- Druk op de snelheidsknop om een lage of hoge snelheid te selecteren en druk vervolgens op de start/stop-knop om de alleszuiger te starten. Of druk op de TURBO-knop om de alleszuiger direct op maximale snelheid te starten.

OPMERKING: De snelheid kan ook worden aangepast tijdens het stofzuigen. Raadpleeg het hoofdstuk "DE SNELHEID SELECTEREN" voor meer informatie.

De alleszuiger stoppen

- Na gebruik of wanneer het stofreservoir vol is, druk op de start/stop-knop om de alleszuiger tijdelijk te stoppen.
- Of druk op de stroomknop om de alleszuiger volledig uit te schakelen.

3. Verwijder de accu.
4. Leeg het stofreservoir in een geschikte opvangbak of afvoer.

OPMERKING: De alleszuiger hervat de laatste ingestelde snelheid wanneer deze opnieuw wordt gestart.

Stroomcontrolelampje

Stroomcontrolelampje	Betekenis	Handeling
Continu groen	Stand-by	Geen handeling vereist. De alleszuiger schakelt automatisch uit na 1 uur van inactiviteit
	De machine werkt naar behoren.	Dit is normaal.
Knippert continu groen	Vloeistofpeil in het reservoir bereikt het onderste punt van de vloeistofsensoren	Stop de alleszuiger, verwijder het accupack en maak het reservoir leeg volgens de instructies.
Flashing groen continuously	Elektronicafout	Neem contact op met de EGO-klantenservice voor hulp

SNELHEID SELECTEREN

Normale snelheidsmodus

- Telkens wanneer de snelheidsknop wordt ingedrukt, schakelt de snelheid tussen hoog, TURBO en laag. Het snelheidscontrolelampje geeft met behulp van de groene lampjes het huidige snelheidsniveau weer.
- De alleszuiger slaat de laatste snelheidsinstelling op en keert terug naar deze instelling bij een nieuwe inschakeling.

TURBO-MODUS

- Druk op de TURBO-knop, het TURBO-controlelampje licht groen op en de alleszuiger begint direct te werken op de TURBO-snelheid, d.w.z. de hoogste snelheid.

- Druk in de TURBO-modus nogmaals op de TURBO-knop of druk op de snelheidsknop, de start/stop-knop of de stroomknop, het TURBO-controlelampje gaat uit en de alleszuiger sluit de TURBO-modus af.

OPMERKING: Na het afsluiten van de TURBO-modus hervat de alleszuiger de laatst ingestelde snelheid.

ZUIGREGELAAR (FIG. 1)

Tijdens het stofzuigen kan de luchtstroom aan het einde van de zuigslang worden geregeld door aan de zuigregelaar te draaien. Draai de regelaar om de luchtuitlaat te openen en de zuigkracht te verlagen of draai de regelaar om de luchtuitlaat te sluiten en de zuigkracht te verhogen.

Deze functie is vooral handig wanneer de zuigslang wordt afgedicht door een mat, doek, etc. Tijdens de werking, draai de regelaar om de luchtuitlaat te openen en de zuigkracht neemt af.

I-1	Zuigregelaar	I-2	Luchtuitlaat
-----	--------------	-----	--------------

AFSTANDSBEDIENING

- De afstandsbediening kan tijdens het stofzuigen op de zuigslang worden aangebracht (Afb. J1).
- Wanneer de alleszuiger is ingeschakeld, kunt u de alleszuiger starten/stoppen of de machine in de TURBO-modus zetten met behulp van de afstandsbediening.

OPMERKING: De afstandsbediening kan niet schakelen tussen de gewone lage of hoge snelheid.

- De afstandsbediening kan tevens worden gebruikt als verlichting voor donkere gebieden, vooral wanneer het spleetmondstuk wordt gebruikt.

Afstandsbediening koppelen (Afb. J2)

De afstandsbediening werd in de fabriek reeds aan de alleszuiger gekoppeld. Als de afstandsbediening echter beschadigd of verloren is, volg dan de onderstaande stappen om uw nieuwe afstandsbediening aan de alleszuiger te koppelen.

1. Installeer het accupack.
2. Druk op de stroomknop om de alleszuiger in te schakelen.
3. Druk lang op de start/stop-knop van de alleszuiger totdat het stroomcontrolelampje langzaam groen knippert.
4. Druk op de TURBO-knop of de start/stop-knop op de afstandsbediening zodra het stroomcontrolelampje langzaam groen begint te knippen.

5. Het stroomcontrolelampje knippert snel groen en brandt daarna continu groen om aan te geven dat de koppeling tot stand is gebracht.

J3-1	Klepje voor USB-C poort	J3-2	USB-C-poort
J3-3	Oplaadkabel		

Controlelampje op afstandsbediening

Controlelampje op afstandsbediening	Betekenis	Handeling
Knippert snel groen	De batterij van de afstandsbediening raakt leeg.	Laad de afstandsbediening op.
Knippert langzaam groen	De afstandsbediening wordt opgeladen.	Er is geen handeling vereist.
Continu groen	Het opladen van de afstandsbediening is voltooid.	Koppel de afstandsbediening en de oplaadkabel los van de voeding.

OPMERKING: Tijdens de normale werking zal het lampje op de afstandsbediening één keer oplichten en vervolgens uitgaan wanneer de TURBO knop of de start/stop-knop één keer wordt ingedrukt.

De afstandsbediening opladen (Afb. J3)

De batterij in de afstandsbediening moet regelmatig worden opgeladen.

⚠ WAARSCHUWING: Houd rekening met het volgende voor deze oplaadbare Li-ionbatterij in de afstandsbediening:

- Risico op brand en brandwonden.
 - Niet openen, verpletteren, verhitten boven 60°C of in vuur gooien.
 - Niet kortsluiten.
 - Niet langer gebruiken wanneer ernstige vervorming wordt waargenomen.
1. Open het klepje van de USB-C poort.
 2. Sluit de USB-C-stekker van de meegeleverde oplaadkabel aan op de USB-C-poort in de afstandsbediening.
 3. Sluit het ander uiteinde van de oplaadkabel aan op een compatibele USB-netadapter/-lader (niet inbegrepen). Het kan tot 2 uur duren om een ontladen batterij volledig op te laden.
 4. Na het opladen, koppel de oplaadkabel los en sluit het klepje van de USB-C-poort om de USB-C-poort tegen verontreiniging te beschermen.

WERKEN MET DE ALLESZUIGER

Natzuigen

- Gebruik de stofzak niet tijdens het natzuigen.
- Schakel de alleszuiger onmiddellijk uit als het stofreservoir vol is. Leeg het stofreservoir in een geschikte opvangbak of afvoer.
- Reinig de binnenkant van het stofreservoir, het filter en de accessoires regelmatig, en nog vaker als het reservoir wordt gebruikt voor het opzuigen van natte, kleverige materialen.

Droogzuigen

- Zorg ervoor dat het filter volledig droog is na het natzuigen of gebruik een tweede droge filter voor het droogzuigen. Vochtige of natte filters zullen verstopt raken met stof of schimmelen.
- Gebruik een stofzak om de blootstelling aan silicastof te verminderen.
- Schakel de alleszuiger onmiddellijk uit wanneer de stofzak of het stofreservoir vol is.
- Leeg het stofreservoir in een geschikte opvangbak of afvoer.

Werking van de blazer

⚠ WAARSCHUWING: Draag altijd oogbescherming als u dit apparaat als blazer gebruikt.

⚠ WAARSCHUWING: Blaas geen ontvlambare of brandbare materialen, zoals benzine, en gebruik het apparaat niet op plaatsen waar dergelijke materialen aanwezig kunnen zijn. Er kan brand ontstaan.

⚠ WAARSCHUWING: Richt de luchtstroom niet naar mensen of huisdieren.

ONDERHOUD

⚠ WAARSCHUWING: Om ernstig persoonlijk letsel te voorkomen, haal het accupack uit het product voor onderhoud, reiniging, het vervangen van accessoires of het verwijderen van materiaal.

ALGEMEEN ONDERHOUD

Maak de kunststof onderdelen niet schoon met oplosmiddelen. De meeste kunststoffen kunnen worden beschadigd wanneer ze in contact komen met

commerciële oplosmiddelen. Gebruik een schone doek voor het verwijderen van vuil, stof, olie, vet, etc.

⚠ WAARSCHUWING: Zorg dat remvloeistof, benzine, producten op basis van aardolie, oliën, etc. op geen enkel moment met de kunststof onderdelen in aanraking komen. Chemicaliën kunnen de kunststof onderdelen beschadigen en ernstig persoonlijk letsel veroorzaken.

⚠ WAARSCHUWING: Om het risico op brand, persoonlijk letsel en schade aan het product door kortsluiting te beperken, dompel uw machine, het accupack of lader nooit in een vloeistof en zorg dat er geen vloeistof binnendringt. Bijtende of geleidende vloeistoffen, zoals zeewater, bepaalde industriële chemicaliën, bleekmiddel of producten die bleekmiddel bevatten, etc. kunnen kortsluiting veroorzaken.

HET STOFRESERVOIR LEGEN

1. Verwijder de afvoerpoortdop om de vloeistof binnenin het stofreservoir te legen in een geschikte opvangbak of afvoer, indien aanwezig.
2. Verwijder de aandrijfkop van het stofreservoir.
3. Verwijder de stofzak als deze geïnstalleerd is.
4. Verwijder al het vuil uit het stofreservoir en reinig het met milde zeep en water.
5. Laat het stofreservoir drogen voordat u de aandrijfkop opnieuw aanbrengt.

FILTER ONDERHOUDEN

ZELFREINIGEND FILTERSISTEEM

1. Sluit de zuigslang aan op de zuiginlaatpoort en installeer het ander uiteinde van de slang op de zelfreinigingsplug voor filter (Fig. K1).
2. Installeer het accupack en druk op de stroomknop om het apparaat aan te zetten.
3. Selecteer de gewenste snelheidsmodus en druk op de start/stop-knop om de machine in te schakelen.
4. Druk op de zelfreinigingsknop om het filter te reinigen (fig. K2).

TIPS: Voor de beste reiniging is het aan te raden om de TURBO-modus te selecteren en de zelfreinigingsknop voor filter vijf keer in te drukken en deze telkens 3 seconden ingedrukt te houden.

K1-1	Zuiginlaatpoort	K1-2	Zuigslang
K1-3	Zelfreinigingsplug voor filter	K2-1	Zelfreinigingsknop voor filter

HET FILTER WASSEN

66

Verwijder het accupack en controleer het filter door de aandrijfkop op te tillen. Als het filter nog steeds vuil is na het uitvoeren van de stappen in de sectie “Zelfreinigend filtersysteem”, verwijder het filter en reinig die in koud water. Laat het filter volledig drogen en installeer het opnieuw.

HET FILTER VERVANGEN (AFB. L1 & AFB. L2)

⚠ WAARSCHUWING: Controleer het filter regelmatig en vervang het filter als het versleten of beschadigd is. Het gebruik van een beschadigd filter kan leiden tot het vrijkomen van ongewenst vuil in de lucht.

1. Til de aandrijfkop op en leg die opzij (Afb. L1).
2. Klap de handgreep van de filterbeugel uit en trek de beugel met het filter eruit (Afb. L2).
3. Gebruik een vochtige doek om stof en vuil uit het filtergebied te verwijderen.
4. Installeer een nieuwe of schoongemaakte filter in de beugel.
5. Plaats de beugel in het filtergebied en klap de handgreep dicht.

L1-1	Handgreep	L1-2	Filterbeugel
------	-----------	------	--------------

DE ALLESZUIGER OPBERGEN

1. verwijder het accupack uit het gereedschap.
2. Maak de alleszuiger grondig schoon voordat u die opbergt.
3. Berg de alleszuiger op in een droge en goed geventileerde ruimte, achter slot en grendel of op een hoge plaats en buiten het bereik van kinderen. Berg de alleszuiger niet op in de buurt van meststoffen, benzine of andere chemicaliën.

HET MILIEU BESCHERMEN



Gooi geen elektrische apparatuur, gebruikte accu's en laders weg via het huishoudelijk afval! Geef dit product af bij een geautoriseerd recyclingbedrijf en zorg dat het apart kan worden ingezameld. Elektrisch gereedschap moet worden afgegeven voor een milieuvriendelijke recycling.

PROBLEEMOPLOSSING

PROBLEEM	OORZAAK	OPLOSSING
De alleszuiger start niet.	<ul style="list-style-type: none"> ■ Laadniveau van het accupack is laag. ■ Accupack is niet goed geïnstalleerd. 	<ul style="list-style-type: none"> ■ Laad het accupack op. ■ Schuif het accupack op de alleszuiger totdat die op zijn plaats vastklikt.
Het apparaat is ingeschakeld maar er is geen zuigkracht.	<ul style="list-style-type: none"> ■ De zuigslang of de zuiginlaat is verstopt. ■ Het filter is verstopt door fijn stof. ■ Het stofreservoir is vol. ■ Laadniveau van het accupack is laag. ■ De afvoerpoortdop is van het stofreservoir verwijderd. 	<ul style="list-style-type: none"> ■ Controleer en verwijder de verstopping in de zuigslang of de zuiginlaat. ■ Reinig het filter volgens het hoofdstuk "FILTER ONDERHOUDEN" in deze handleiding. ■ Leeg het stofreservoir. ■ Laad het accupack op ■ Installeer de afvoerpoortdop op het stofreservoir.
The machine is running but there is no suction.	<ul style="list-style-type: none"> ■ De aandrijfkop is niet volledig op de stofreservoir geïnstalleerd. 	<ul style="list-style-type: none"> ■ Zorg ervoor dat de aandrijfkop volledig op het stofreservoir is geïnstalleerd.
Dust escapes from the blowing outlet port.	<ul style="list-style-type: none"> ■ Filter ontbreekt of is niet goed geïnstalleerd. ■ Filter is beschadigd. 	<ul style="list-style-type: none"> ■ Controleer of het filter correct is geïnstalleerd. ■ Vervang door een nieuw filter.
The vacuum cannot be controlled through the remote control.	<ul style="list-style-type: none"> ■ De afstandsbediening is niet aan de alleszuiger gekoppeld . ■ De batterij van de afstandsbediening raakt leeg. ■ De afstandsbediening is beschadigd. 	<ul style="list-style-type: none"> ■ Koppel de afstandsbediening aan de alleszuiger volgens het hoofdstuk "De afstandsbediening koppelen" in deze handleiding. ■ Laad de afstandsbediening op. ■ Gebruik een nieuwe afstandsbediening en koppel de afstandsbediening opnieuw.

NL

GARANTIE

EGO-GARANTIEBELEID

Ga naar de website egopowerplus.eu voor de volledige algemene voorwaarden van het EGO-garantiebeleid.

LÆS ALLE ANVISNINGER!

**LÆS BRUGERVEJLEDNINGEN**

⚠ ADVARSEL: For at sikre sikkerhed og pålidelighed, bør alle reparationer udføres af en kvalificeret servicetekniker.

SIKKERHEDSSYMBOLER

Formålet med sikkerheds- symboler er at tiltrække din opmærksomhed på mulige farer. Du skal være meget opmærksom på sikkerhedssymbolerne og forklaringerne til dem og lære at forstå dem. Symbolernes advarsler fjerner ikke i sig selv eventuelle farer. De anvisninger og advarsler, de giver ingen erstatninger for ordentlig forebyggelse af ulykker foranstaltninger.

DK

⚠ ADVARSEL: Sørg for at læse og forstå alle sikkerhedsanvisninger i denne brugsanvisning, herunder alle sikkerhedssymboler, såsom "FARE", "ADVARSEL" og "FORSIGTIG", før du bruger denne maskine. Hvis anvisningerne nedenfor ikke følges, kan det føre til elektrisk stød, brand og/eller alvorlig personskaade.

SYMBOLERNES BETYDNING

⚠ ADVARSELSSYMBOL: Indikerer **FARE**, **ADVARSEL** eller **FORSIGTIG**, kan bruges sammen med andre symboler eller billeder.

SIKKERHEDSANVISNINGER

Denne side viser og beskriver sikkerhedssymboler, der kan være på dette produkt. Læs, forstå og følg alle anvisninger på maskinen, før du forsøger at samle og betjene.



Sikkerhedsadvarsel



For at mindske risikoen for skader skal brugeren læse brugsanvisningen.



Elektriske affaldsprodukter må ikke bortskaffes sammen med husholdningsaffald. Bring det til en godkendt genbrugsplads.



Jævnstrøm (DC)



Dette produkt er i overensstemmelse med gældende EU-direktiver.



Overensstemmelse i Storbritannien

IPX4 Beskyttelse mod vandsprøjt

L Liter

kg Kg

V Volt

°C Celsius

L/min Liter pr. minut

Pa Pascal

⚠ ADVARSEL: Læs og forstå alle vejledningerne. Hvis du ikke følger alle vejledningerne, der er anført nedenfor, kan det medføre elektrisk stød, brand og/eller alvorlig personskaade.

Dette apparat er ikke beregnet til brug af personer (herunder børn) med nedsat fysisk, sensorisk eller psykisk funktionsevne, eller manglende erfaring og viden, medmindre de er blevet vejledt eller instrueret i brugen af apparatet af en person med ansvar for deres sikkerhed.

- Børn bør overvåges, for at sikre, at de ikke leger med apparatet.
- Apparatet og batteriet må ikke udsættes for høje temperaturer.
- Husk på at terminalerne på det batteridrevne apparat og på batteriet kan kortsluttes af metalgenstande.
- Genopladelige batterier skal tages ud af apparatet, inden de oplades.
- Forskellige slags batterier, og nye og brugte batterier må ikke bruges sammen.
- Obrugte batterier skal tages ud af apparatet og bortskaffes sikkert.
- Hvis apparatet ikke skal bruges i længere tid, skal batterierne tages ud.
- Brug ikke batterier, der ikke er genopladelige, i stedet for genopladelige batterier.
- Brug ikke ændrede eller beskadigede batterier.
- Produktet må kun bruges med de angivne batteripakker og opladere.

Gem disse vejledninger. Brug dem regelmæssigt, og brug dem til at instruere andre, der skal bruge denne maskine. Hvis du låner denne maskine ud til andre personer, skal disse vejledninger følge med, så produktet ikke bruges forkert, hvilket kan føre til personskader.

SPECIFIKATIONER

Spænding	56 V		
Støvbeholderen kapacitet	34 L		
Hastighedsfunktion	Lav	Høj	TURBO
Maks. Luftstrøm (L/min)	1900	2500	3100
Maks. Sugestykke (Pa)	10000	15900	24800
Fjernbetjening	Opladningstemperatur	0°C - 45°C	
	Maks. Opladningsspænding	5 V	
	Maks. Lade strøm	1 A	
Vægt (uden batteri)	12.1 kg		
Anbefalet driftstemperatur	-5°C - 40°C		
Anbefalet opbevaringstemperatur	-20°C - 70°C		

LISTE OVER DELE (FIG. A1 & A2)

ANBEFALET TILBEHØR

⚠ ADVARSEL: Brug kun tilbehøret, der er anført nedenfor. Hvis der bruges tilbehør, der ikke opfylder de oprindelige deles specifikationer, kan det påvirke apparatets ydeevne og sikkerheden.

NAVN PÅ DELEN	MODEL NUMBER
Støvposer (5 stk.)	AVG0905
Reservefilter	AVF0900

DK

BESKRIVELSE

GØR DIG BEKENDT MED DIN VÅD/TØR-STØVSUGER (FIG. A1 & A2)

1. Motorhoved
2. Håndtag
3. Opbevaringsrum til tilbehør
4. Lås til støvbeholder (x2)
5. Baghjul (x2)
6. Støvbeholder
7. Drejhjul med bremse (x2)
8. Prop til afløb
9. Smalt mundstykke
10. Sugeindløb
11. Betjeningspanel
12. Opbevaringsrum til støvsugerslanger
13. Blæseudløb
14. Rum til midlertidig opbevaring af tilbehør
15. Stort gulvmundstykke + børstestang
16. Forlængerrør
17. Knap til frigørelse af batteri
18. Knap til selvrensning af filter
19. Selvrensende filterprop
20. Støvsugerslange
21. Knap til løsning af rør
22. Sugestykkeknop
23. Montering af fjernbetjening
24. Gummipude
25. Støvpose
26. Opladningskabel til fjernbetjening
27. Fjernbetjening
28. Rundt børstestemundstykke
29. Kompakt gulvmundstykke
30. Adapter til el-værktøj
31. Tænd/sluk-knap
32. Start/stop-knap
33. Hastighedsknap

- 34. Hastighedsindikator
- 35. TURBO-knap
- 36. TURBO-indikator
- 37. Filter
- 38. Filterbeslag
- 39. Væskesensor (x4)
- 40. Beslag til støvpose
- 41. Afløb

SAMLING

DK

MONTERING/AFMONTERING AF STØVSUGERSLANGEN

For at sætte slange på, skal du trykke enden af slangen ind i sugeindløbet eller blæseudløbet, indtil du hører et "klik". (Fig. B1).

For at tage slagen af, skal du holde slangens udløserknapper nede, hvorefter slangen kan tages af (fig. B2).

B1-1	Støvsugerslange	B1-2	Sugeindløb
B1-3	Blæseudløb	B2-1	Knap til løsning af slangen

MONTERING/AFMONTERING AF FORLÆNGERRØRENE (FIG. C)

Sæt et eller to forlængerrør på støvsugerslangen alt efter behov.

For at sætte røret på, skal du stikke den smalle ende af forlængerrøret så langt ind i støvsugerslangen, som muligt, indtil forlængerrøret sidder fast.

For at tage røret af, skal du trække forlængerrøret ud af støvsugerslangen.

Det andet forlængerrør sættes på/tages af det første rør på samme måde.

C-1	Støvsugerslange	C-2	Smal ende
C-3	Bred ende	C-4	Forlængerrør

MONTERING/AFMONTERING AF MUNDSTYKKERNE

Vælg et passende mundstykke og sæt det direkte på støvsugerslangen eller på forlængerrøret alt efter dine behov (fig. D1).

- For at sætte mundstykket på forlængerrøret, skal du trykke det så langt ind i forlængerrøret, som muligt, indtil det sidder fast. Træk mundstykket ud af forlængerrøret for at tage det af.
- For at sætte mundstykket direkte på støvsugerslangen, skal du rette knoppen på mundstykket ind efter

rillen i støvsugerslangen og trykke mundstykket ind i støvsugerslangen ind, indtil du hører et "klik". Hold udløserknappen nede, for at tage mundstykket af.

D1-1	Udløserknap	D1-2	Rille
D1-3	Forlængerrør (valgfrít)	D1-4	Spændeknop
D1-5	Dyse		

Smalt mundstykke (fig. D2)

Mørke områder kan nemt rengøres med det smalle mundstykke og lyset i fjernbetjeningen.

Sæt det smalle mundstykke på støvsugerslangen, og sæt fjernbetjeningen fast på fjernbetjeningsbeslaget på støvsugerslangen. Tryk på lysknappen på fjernbetjeningen, hvorefter det gennemsigtige mundstykket begynder at lyse.

D2-1	Smalt mundstykke	D2-2	Lys-knap
D2-3	Fjernbetjening		

Adapter til el-værktøj (fig. D3)

Med adapteren til el-værktøj kan du slutte støvsugeren til et el-værktøj, der er udstyret med et 32 mm støvduløb.

Sæt støvsugerslangen i støvsugerens sugeindløb, og sæt adapteren til el-værktøjet så langt ind i støvsugeren, som muligt, indtil den sidder fast. Sæt derefter adapteren på støvduløbet på el-værktøjet.

⚠ ADVARSEL: Adapteren til el-værktøjet kan ikke sættes på forlængerrørene. Hvis du prøver at tvinge adapteren på, kan den eller forlængerrøret gå i stykker.

D3-1	El-værktøj (medfølger ikke)	D3-2	Adapter til el-værktøj
D3-3	Støvsugerslange	D3-4	Sugeindløb

Stort gulvmundstykke + børstestang/gummistang (fig. D4)

Det store gulvmundstykke kan bruges med børstestangen eller gummistangen.

Åbn begge ender af stangen en smule, og tryk enderne ned for at tage stangen af mundstykket.

For at sætte stangen på, skal du trykke stangens ender ind i hullerne på mundstykket, indtil du hører et "klik".

D4-1	Stort gulvmundstykke	D4-2	Huller i mundstykket
D4-3	Gummipude	D4-4	Slangens ender

MONTERING/AFMONTERING AF MOTORHOVEDET

For at sætte støvbeholderen på, skal du trykke fornedet på støvbeholderens låse, sænke motorhovedet på støvbeholderen og derefter trykke foroven på støvbeholderens låse (Fig. E1 & E2).

For at tage støvbeholderen af, skal du trykke fornedet på støvbeholderen, og løft derefter motorhovedet op (fig. E3).

SÅDAN MONTERES/AFMONTERES STØVPOSEN

- Lås støvbeholderen op, og løft motorhovedet op.
- For at sætte støvposen på**, skal du sætte støvposens plade ind i åbningen på støvposebeslaget, indtil pladen falder ned i ribberne. Fold støvposen ud, før du opsamler støv eller snavs (fig. F1).
For at tage støvposen af, skal du løfte pladen lidt over ribberne, og træk derefter pladen ud af åbningen for at tage støvposen af (fig. F2).

F1-1	Beslag til støvpose	F1-2	Rille
F1-3	Støvpose	F1-4	Plade
F2-1	Ribbe		

BETJENING

BRUG

Du kan bruge dette produkt til de formål, der er nævnt nedenfor:

- Sugning af flydende affald eller tørt støv, når sugeindløbet bruges.
- Fungerer som blæser, når blæseudløbet bruges.

PÅSÆTNING / AFTAGNING BATTERIPAKKEN

Produktet må kun bruges med EGO's batteripakker og opladere, der er anført i fig A3.

Du kan finde flere oplysninger i de tilhørende batteripakker og opladervejledninger.

Lad batteriet helt op inden første brug.

Montering

Sørg for at batteriets ribber passer med monteringsrillerne, og tryk batteriet ned, indtil du hører et "klik" (fig. G1).

Aftagning

Tryk på knappen til batteriudløseren, og træk batteripakken ud (fig. G2).

G1-1	Monteringsrille	G1-2	Rib
G2-1	Knap til frigørelse af batteri		

START/STOP AF VÅD-/TØRSTØVSUGEREN (FIG. H)

Sådan startes støvsugeren

- Se, om motorhovedet er sat på støvbeholderen, og om støvbeholderen er låst ordentligt fast. Sørg for, at støvsugerslangen, forlængerrøret (hvis dette bruges) og mundstykket er sat rigtigt på.

BEMÆRK: Støvsugeren kan kun startes, når motorhovedet er sat ordentligt fast på støvbeholderen.

- Sæt batteripakken i.
- Tryk på tænd/sluk-knappen for at tænde støvsugeren.
- Tryk på hastighedsknappen og sæt den på lav eller høj hastighed. Tryk derefter på start/stop-knappen for at starte støvsugning. Eller tryk på TURBO-knappen for at starte støvsugeren på den højeste hastighed.

BEMÆRK: Hastigheden kan også justeres, når du støvsuger. Du kan læse mere om dette i kapitlet "Valg af hastighed".

Sådan stoppes støvsugeren

- Når du er færdig med at støvsuge, eller hvis støvbeholderen er fuld, skal du trykke på start/stop-knappen for at stoppe støvsugeren.
- Eller tryk på tænd/sluk-knappen for at slukke helt for støvsugeren.
- Fjern batteripakken.
- Tøm støvbeholderen i en passende beholder eller et afløb.

BEMÆRK: Støvsugeren starter på hastigheden, den stod på, da den blev slukket.

DK

Indikator til tænd/sluk-knappen

Indikator til tænd/sluk-knappen	Betydning	Handling
Lyser grøn	Standby	Du skal ikke gøre noget. Støvsugeren slukker automatisk efter 1 time uden brug.
	Maskinen virker som den skal.	Normal drift.
Blinker grøn 6 gange, hvorefter den slukker.	Væsken i beholderen er ved den nederste spids af væskesensorerne	Stop støvsugeren, tag batteripakken ud og tøm derefter beholderen, som beskrevet i vejledningerne herom.
Blinker grøn	Elektronikfejl	Kontakt EGO kundeservice for hjælp

DK

HASTIGHEDSKNAP

Normal hastighedsfunktion

- Hver gang der trykkes på hastighedsknappen, skifter hastigheden mellem høj og høj hastighed. Hastighedsindikatoren lyser grøn i henhold til den valgte hastighed.
- Støvsugeren gemmer den sidste hastighedsindstilling, som den er på, når den startes igen.

TURBO-funktion

- Tryk på TURBO-knappen, hvorefter TURBO-indikatoren lyser grøn, og støvsugeren vil begynde at køre på TURBO-hastigheden, dvs. den højeste hastighed.
- Når du bruger TURBO-funktionen, skal du trykke på TURBO-knappen igen eller tryk på hastighedsknappen, start/stop-knappen eller tænd/sluk-knappen, hvorefter TURBO-indikatoren går ud og TURBO-funktionen slås fra.

BEMÆRK: Når TURBO-funktionen slås fra, går støvsugeren tilbage til den sidst brugte hastighed.

SUGESTYRKEKNOP (fig. I)

Når du støvsuger, kan luftstrømmen for enden af støvsugerslangen styres ved at dreje på sugestykkeknoppen. Drej knoppen for at åbne luftudløbet, hvorefter sugestykken reduceres, eller drej knoppen for at lukke luftudløbet, hvorefter sugestykken forøges.

Denne funktion er nyttig, hvis støvsugerslangen tilstoppes af tæpper, klude eller lignende under sugning, så du kan dreje knoppen for at åbne luftudløbet, hvorefter sugestykken reduceres.

I-1	Sugestykkeknop	I-2	Luftudgang
-----	----------------	-----	------------

FJERNBETJENING

- Fjernbetjeningen kan sættes på støvsugerslangen, når du støvsuger (fig. J1).
- Når du bruger støvsugeren, kan du starte/stoppe den og slå TURBO-funktionen til med fjernbetjeningen.

BEMÆRK: Det er dog ikke muligt, at skifte mellem høj og lav hastighed med fjernbetjeningen.

- Fjernbetjeningen kan også bruges som lommelygte i mørke områder, særligt når du bruger det lille mundstykke.

Sådan parres fjernbetjening (fig. J2)

Fjernbetjeningen er blevet parret med støvsugeren på fabrikken. Men hvis fjernbetjeningen beskadiges eller forsvinder, skal du parre din nye fjernbetjening med støvsugeren, som beskrevet i nedenstående trin.

1. Sæt batteripakken i.
2. Tryk på tænd/sluk-knappen for at tænde støvsugeren.
3. Hold start/stop-knappen på støvsugeren nede, indtil indikatoren for tænd/sluk-knappen blinker grøn langsomt.
4. Tryk på TURBO-knappen eller start/stop-knappen på fjernbetjeningen, så snart indikatoren for tænd/sluk-knappen begynder at blinke grøn langsomt.
5. Tænd/sluk-knap-indikatoren blinker grøn hurtigt, hvorefter den begynder at lyse grøn for, at vise at enhederne er parret.

Indikator til fjernbetjeningen

Indikator til fjernbetjeningen	Betydning	Handling
Blinker grøn hurtigt	Fjernbetjeningens batteri er næsten brugt op.	Oplad fjernbetjeningen.
Blinker grøn langsomt	Fjernbetjeningen oplades.	Du skal ikke gøre noget.
Lyser grøn	Fjernbetjeningen er blevet opladet.	Afbyrd fjernbetjeningen og ladekablet fra strømforsyningen.

BEMÆRK: Under normal brug, lyser fjernbetjeningens indikator én gang, hvorefter den går ud, når der trykkes på TURBO-knappen eller start/stop-knappen.

Sådan oplades fjernbetjeningen (fig. J3)

Batteriet i fjernbetjeningen skal regelmæssigt oplades.

⚠ ADVARSEL: Du skal være opmærksom på følgende ved brug af det genopladelige li-ion-batteri i fjernbetjeningen:

- Risiko for brand og forbrændinger.
- Batteriet må ikke åbnes, knuses, opvarmes til over 60 °C eller brændes.
- Batteriet må ikke kortsluttes.
- Hvis batteriet buler meget ud, må det ikke længere bruges.

1. Åbn dækslet til USB-C-porten.
2. Slut USB-C-enden på det medfølgende ladekabel til USB-C-porten i fjernbetjeningen.
3. Slut den anden ende af ladekablet til en kompatibel USB-strømadapter/oplader (medfølger ikke). Det kan tage op til 2 timer at lade et helt afladet batteri op.
4. Når batteriet er ladet op, skal du afbryde opladningskablet og lukke USB-C-portdækslet, så USB-C-porten beskyttes mod forurening.

J3-1	Dækslet til USB-C-port	J3-2	USB-C-port
J3-3	Opladningskabel		

SÅDAN BRUGES STØVSUGEREN

Vådstøvsugning

- Støvposen må ikke bruges, når du vådstøvsuger.
- Når støvbeholderen er fuld, skal støvsugeren straks

slukkes. Tøm støvbeholderen i en passende beholder eller et afløb.

- Støvbeholderen, filteret og tilbehøret skal regelmæssigt rengøres. Og dette skal gøres oftere, hvis den bruges til at suge våde, klæbrige materialer op.

Tørstøvsugning

- Sørg for, at filteret er helt tørt, hvis du har vådstøvsuget, eller brug et andet tørt filter til tørstøvsugningen. Fugtige eller våde filtre tilstoppes med støv eller det kan mugne.
- Brug en støvpose, så du udsættes for mindre silikastøv.
- Når støvposen eller støvbeholderen er fuld, skal støvsugeren straks slukkes.
- Tøm støvbeholderen i en passende beholder eller et afløb.

Sådan bruges blæseren

⚠ ADVARSEL: Brug altid øjenbeskyttelse, når du bruger denne maskine som en blæser.

⚠ ADVARSEL: Blæs ikke i brændbare materialer som f.eks. benzin, og brug ikke produktet i områder, hvor sådanne materialer kan være til stede. Dette kan føre til brand.

⚠ ADVARSEL: Ret ikke luftstrømmen mod andre personer eller kæledyr.

VEDLIGEHOLDELSE

⚠ ADVARSEL: For at undgå alvorlig personskade, skal du tage batteripakken ud af produktet før service, rengøring, udskiftning af tilbehør, og før der fjernes noget fra apparatet.

GENEREL VEDLIGEHOLDELSE

Undgå, at bruge opløsningsmidler til rengøring af plastdele. De fleste plastmaterialer risikerer at blive ødelagt, ved brug af forskellige slags alment tilgængelige opløsningsmidler. Brug rene klude til at fjerne snavs, støv, olie, fedt, osv.

⚠ ADVARSEL: Lad aldrig bremsevæske, benzin, oliebaserede produkter, indtrængende olier osv. komme i kontakt med dele af plastic. Kemikalier kan beskadige, svække og ødelægge plastic, hvilket kan føre til alvorlige personskader.

⚠ ADVARSEL: For at reducere risikoen for brand, personskade og produktskade på grund af kortslutning, må maskinen, batteripakken eller opladeren aldrig nedsænkes i væske. Undgå også at væske trænger

DK

ind i dem. Ætsende eller ledende væsker, såsom havvand, bestemte industrikemikalier og blegemidler eller blegemiddelholdige produkter osv. kan kortslutte produktet.

SÅDAN TØMMES STØVBEHOLDEREN

1. Tag proppen af afløbet for at hælde væsken ud af støvbeholderen ned i en passende beholder eller et afløb, hvis muligt.
2. Tag motorhovedet af støvbeholderen.
3. Tag støvposen ud, hvis der sidder en støvpose i produktet.
4. Fjern alt snavs og skidt fra støvbeholderen, og rengør den med mild sæbe og vand.
5. Lad støvbeholderen tørre, før motorhovedet sættes på igen.

VEDLIGEHOLDELSE AF FILTERET

Selvrensende filtersystem

1. Sæt støvsugerslangen på støvsugerens sugeindløb, og sæt den anden ende af slangen på filterets selvrensende prop (fig. K1).
2. For at sætte batteripakken i, skal du trykke på tænd/sluk-knappen på maskinen.
3. Vælg den ønskede hastighed, og tryk på start/stop-knappen for at tænde maskinen.
4. Tryk på knappen til selvrensning af filteret for at rense filteret (fig. K2).

TIPS: For at opnå den bedste rensning, anbefales det at slå TURBO-funktionen til og holde knappen til selvrensning af filteret nede i 3 sekunder, 5 gange i træk.

K1-1	Sugeindløb	K1-2	Støvsugerslange
K1-3	Prop til selvrensning af filteret	K2-1	Knap til selvrensning af filter

Sådan vaskes filteret

Fjern batteripakken, og undersøg filteret ved at løfte motorhovedet. Hvis filteret stadig er beskidt, når du har fulgt trinene i afsnittet "Selvrensende filter", skal du tage filteret ud og skylle det i koldt vand. Lad filteret tørre helt, og sæt det på plads igen.

Sådan skiftes filteret (fig. L1 og fig. L2)

⚠ ADVARSEL: Filteret skal regelmæssigt ses efter og udskiftes, hvis det er slidt eller beskadiget. Hvis du bruger et beskadiget filter, kan der komme uønskede luftbårne forurenende stoffer ud af beholderen.

1. Løft motorhovedet, og læg det til side (fig. L1).
2. Fold håndtaget på filterbeslaget ud, og træk beslaget med filteret ud (fig. L2).
3. Fjern støv og skidt på filterområdet med en fugtig klud.
4. Sæt et nyt filter i eller rengør filter i beslaget.
5. Sæt beslaget i filterområdet igen, og fold håndtaget.

L1-1	Håndtag	L1-2	Filterbeslag
------	---------	------	--------------

OPBEVARING AF STØVSUGEREN

1. Tag batteripakken ud af støvsugeren.
2. Rengør støvsugeren grundigt, før den gemmes væk.
3. Støvsugeren skal opbevares på et tørt og godt ventileret sted, der er låst og utilgængeligt for børn. Støvsugeren må ikke opbevares på eller ved siden af kunstgødning, benzin eller andre kemikalier.

BESKYTTELSE AF MILJØET



Elektrisk udstyr, batterioplader og batterier må ikke smides ud sammen med almindelig husholdningsaffald! Tag dette produkt til en autoriseret genbrugsplads, og sørg for at det sendes til genbrug. Elektriske værktøjer skal bortskaffe på en genbrugsplads.

FEJLFINDING

PROBLEM	ÅRSAG	LØSNING
Støvsugeren vil ikke starte.	<ul style="list-style-type: none"> ■ Batteripakken er løbet tør for strøm. ■ Batteripakken er ikke sat rigtigt i. 	<ul style="list-style-type: none"> ■ Oplad batteripakken. ■ Tryk batteripakken ind i støvsugeren, indtil den klikker på plads.
Sugekraften er svag	<ul style="list-style-type: none"> ■ Støvsugerslangen eller sugeindløbet er tilstoppet. ■ Filteret er tilstoppet med fint støv. ■ Støvbeholderen er fuld. ■ Batteripakken er løbet tør for strøm. ■ Proppen til afløbet er taget af støvbeholderen. 	<ul style="list-style-type: none"> ■ Fjern genstandene, der tilstopper støvsugerslangen eller sugeindløbet. ■ Rengør filteret, som beskrevet i afsnittet "VEDLIGEHOLDELSE AF FILTERET" i denne vejledning. ■ Tøm støvbeholderen. ■ Oplad batteripakken ■ Sæt proppen i afløbet på støvbeholderen.
Maskinen kører, men støvsugeren suger ikke.	<ul style="list-style-type: none"> ■ Motorhovedet er ikke sat ordentligt på støvbeholderen. 	<ul style="list-style-type: none"> ■ Sørg for, at motorhovedet er sat ordentligt på støvbeholderen.
Der kommer støv ud af blæseudløbet.	<ul style="list-style-type: none"> ■ Filteret mangler eller det er sat forkert i. ■ Filteret er beskadiget. 	<ul style="list-style-type: none"> ■ Se, om filteret er sat rigtigt i. ■ Skift filteret med et nyt.
Støvsugeren kan ikke betjenes med fjernbetjeningen.	<ul style="list-style-type: none"> ■ Fjernbetjeningen er ikke parret med støvsugeren. ■ Fjernbetjeningens batteri er ved at løbe tør for strøm. ■ Fjernbetjeningen er beskadiget. 	<ul style="list-style-type: none"> ■ Par fjernbetjeningen med støvsugeren, som beskrevet i kapitlet "Parring af fjernbetjening" i denne vejledning. ■ Oplad fjernbetjeningen. ■ Brug en ny fjernbetjening, og par den med produktet.

DK

GARANTI

EGO GARANTI POLITIK

Besøg venligst hjemmesiden egopowerplus.eu for fuldstændige vilkår og betingelser for EGO's garantipolitik.

LÄS IGENOM ALLA INSTRUKTIONER!



LÄS IGENOM BRUKSANVISNINGEN

⚠ VARNING: För att garantera en säker och pålitlig användning måste alla reparationer utföras av en kvalificerad servicetekniker.

SÄKERHETSSYMBOLER

Syftet med säkerhetssymboler är att uppmärksamma eventuella faror. Säkerhetssymbolerna och förklaringarna av dessa kräver din fullständiga uppmärksamhet och förståelse. Symbolvarningarna i sig eliminerar inte några faror. Instruktionerna och varningarna som ges är inte något substitut för korrekta åtgärder för förhindrande av olyckor.

SE

⚠ VARNING: Var noga med att läsa igenom och förstå alla säkerhetsinstruktioner i denna bruksanvisning, inklusive alla varningssymboler såsom **"FARA"**, **"VARNING,"** och **"FÖRSIKTIGHET"** innan maskinen används. Underlåtenhet att läsa alla instruktioner som listas nedan kan resultera i elektrisk stöt, brand och/eller allvarlig personskada.

SYMBOLBETYDELSE

⚠ SÄKERHETSLARMSYMBOL: Indikerar **FARA**, **VARNING** eller **FÖRSIKTIGHET**, kan användas tillsammans med andra symboler eller bilder.

SÄKERHETSINSTRUKTIONER

Denna sida framställer och beskriver säkerhetssymboler som kan visas på denna produkt. Läs igenom, förstå och följ alla instruktioner på maskinen innan försök görs att montera och hantera den.



Säkerhetslarm



För att minska risken för skador måste användaren läsa bruksanvisningen.



Förbrukade elektriska produkter får inte kastas i hushållssoporna. Lämnna in dem till en auktoriserad återvinningsstation.



Likström



Denna produkt är i enlighet med gällande EG-direktiv.



Brittisk överensstämmelse bedömd

IPX4 Skydd mot stänkande vatten

L Liter

kg Kilogram

V Volt

°C Celsius

L/min Liter per minut

Pa Pascal

⚠ VARNING: Läs igenom och förstå alla instruktioner. Underlåtenhet att följa alla instruktioner som listas nedan kan resultera i elektriska stötar, brand och/eller allvarliga personsador.

Denna apparat är inte avsedd för personer (inklusive barn) med nedsatt fysisk, sensorisk eller mental förmåga, eller av personer som saknar erfarenhet och kunskap såvida de inte övervakas eller mottagit instruktioner för användning av en person som är ansvarig för deras säkerhet.

- Barn bör övervakas så att de inte leker med apparaten.
- Utsätt inte apparaten eller batteriet för höga temperaturer.
- Var uppmärksam på risken för kortslutning av den batteridrivna apparatens eller batteriets poler genom metallföremål.
- Uppladdningsbara batterier måste avlägsnas från apparaten innan de laddas.
- Olika typer av batterier eller nya och begagnade batterier får inte blandas.
- Förbrukade batterier ska tas bort från apparaten och kasseras på ett säkert sätt.
- Om apparaten skall förvaras utan att användas under en lägre period skall batterierna tas bort.
- Använd inte icke uppladdningsbara batterier i stället för uppladdningsbara batterier.
- Använd inte modifierade eller skadade batterier.

■ **Får endast användas med specificerade batteripaket och laddare**

Spara dessa instruktioner. Läs igenom dem regelbundet och använd dem för att instruera andra som kan komma att använda denna maskin. Om du lånar ut denna maskin till någon, se även till att låna ut dessa instruktioner för att förhindra felaktig användning och eventuella personskador.

SPECIFIKATIONER

Spänning	56 V		
Kapacitet för dammbehållare	34 L		
Hastighetsläge	Låg	Hög	TURBO
Max. Luftflöde (L/min)	1900	2500	3100
Max. Sugkraft (Pa)	10000	15900	24800
Fjärrkontroll	Laddningstemperatur	0°C - 45°C	
	Max. Laddningsspänning	5 V	
	Max. Laddningsström	1 A	
Vikt (utan batteripaket)	12.1 kg		
Rekommenderad drifttemperatur	-5°C - 40°C		

Rekommenderad förvaringstemperatur	-20°C - 70°C
------------------------------------	--------------

FÖRPACKNINGSLISTA (BILD A1 OCH A2)

REKOMMENDERADE TILLBEHÖR

⚠ VARNING: Använd endast tillbehör som listas nedan. Användning av delat som inte uppfyller originaldelarnas specifikationer kan leda till felaktig prestanda och riskera säkerheten.

PART NAMEARTIKELNAMN	MODELLNUMMER
Dammskyddspåsar (5 st)	AVG0905
Utbytesfilter	AVF0900

SE

BESKRIVNING

KÄNN DIN VÅT-/TORRDAMMSUGARE (BILD A1 OCH A2)

1. Motorenhet
2. Handtag
3. Förvaringsfack för tillbehör
4. Spärr för dammbehållare (x2)
5. Bakhjul (x2)
6. Dammbehållare
7. Länkhjul med broms (x2)
8. Lock för dräneringsport
9. Spaltmunstycke
10. Inloppsport för sugning
11. Operatörspanel
12. Förvaringsfack för dammsugarslang
13. Port för utblås
14. Tillbehör tillfällig lagring
15. Stort golvmunstycke + borststång
16. Förlängningsrör
17. Låsknapp för batteriet
18. Självrengöringsknapp för filter
19. Filter Självrengörande plugg
20. Dammsugarslang
21. Låsknapp för rör
22. Regulator för sugning
23. Montering fjärrkontroll
24. Gummipackning
25. Damppåse
26. Laddningskabel för fjärrkontroll
27. Fjärrkontroll
28. Munstycke för rund dammborste
29. Kompakt golvmunstycke
30. Adapter elverktyg

31. Strömknapp
32. Start-/Stoppknapp
33. Hastighetsknapp
34. Indikator för hastighet
35. TURBO-knapp
36. TURBO-indikator
37. Filter
38. Filterfäste
39. Sensor för vätska (x4)
40. Fäste för dammpåse
41. Dräneringsport

MONTERING

SE

ANSLUTNING/FRÅNKOPPLING AV DAMMSUGARSLANGEN

För att ansluta, tryck in slangens ände i suginloppsporten eller blåsutloppsporten tills du hör ett "klick" (Bild B1).

För att koppla bort slangen, tryck och håll in slangens låsknappar för att ta bort slangen (bild B2).

B1-1	Dammsugarslang	B1-2	Inloppsport för sugning
B1-3	Port för utblås	B2-1	Låsknapp för rör

ANSLUTNING/FRÅNKOPPLING AV FÖRLÄNGNINGSRÖR (BILD C)

Anslut ett eller två förlängningsrör till dammsugarslangen beroende på dina behov.

Anslut genom att föra in den smala änden av förlängningsröret i dammsugarslangen så långt det går tills förlängningsröret sitter fast.

För att koppla bort den, dra ut förlängningsröret från dammsugarslangen.

Det andra förlängningsröret ansluts/kopplas bort från det första röret på samma sätt.

C-1	Dammsugarslang	C-2	Smal ände
C-3	Bred ände	C-4	Förlängningsrör

MONTERING/AVMONTERING AV MUNSTYCKENA

Välj ett lämpligt munstycke att montera på dammsugarslangen direkt eller på förlängningsröret efter dina behov (bild D1)

- För att ansluta munstycket till förlängningsröret, för in munstycket i förlängningsröret så långt du kan tills det sitter fast. Koppla loss genom att dra munstycket från förlängningsröret.

- För att ansluta munstycket direkt till dammsugarslangen, rikta in vredet på munstycket mot spåret i dammsugarslangen och för in munstycket i dammsugarslangen tills du hör ett "klick". För att koppla bort munstycket, tryck och håll in låsknappen för att ta bort munstycket.

D1-1	Låsknapp	D1-2	Skåra
D1-3	Förlängningsrör (tillval)	D1-4	Utstickare
D1-5	Munstycke		

Spaltmunstycke (bild D2)

De mörka områdena kunde enkelt rengöras med hjälp av spaltmunstycket i kombination med fjärrkontrollens integrerade ljus.

Anslut spaltmunstycket till dammsugarslangen och snäpp fast fjärrkontrollen på fjärrkontrollfästet på dammsugarslangen. Tryck på belysningsknappen på fjärrkontrollen så tänds det genomskinliga spaltmunstycket.

D2-1	Spaltmunstycke	D2-2	Ljusknapp
D2-3	Fjärrkontroll		

Adapter för elverktyg (bild D3)

Med adaptern för elverktyg kan dammsugaren anslutas till ett elverktyg med 32 mm dammutlopp.

Anslut dammsugarslangen till dammsugarens inloppsport, för in elverktysadaptern i dammsugaren så långt du kan tills elverktysadaptern sitter fast och anslut sedan adaptern till elverktygets dammutlopp.

WARNING: Elverktysadaptern kan inte anslutas till förlängningsröret/-förlängningsrören. Om du tvingar fram en installation kan det leda till skador på elverktysadaptern eller förlängningsröret/-förlängningsrören.

D3-1	Elverktyg (medföljer ej)	D3-2	Adapter elverktyg
D3-3	Dammsugarslang	D3-4	Inloppsport för sugning

Stort golvmunstycke + borststång/gummistång (bild D4)

Det stora golvmunstycket kan kombineras med borststängen eller gummistången.

Öppna båda ändarna av stängen något och tryck ner ändarna för att ta bort stängen från munstycket.

För att installera stången, tryck in ändarna av stången i hålen på munstycket tills du hör ett "klick".

D4-1	Stort golvmunstycke	D4-2	Hål i munstycke
D4-3	Gummipackning	D4-4	Ändar på stången

MONTERA/AVLÄGSNA MOTORENHETENS TILLBEHÖR

För att installera, tryck på de nedre delarna av dammtankens spärrar, sänk ner kraftaggregatet på dammtanken och tryck sedan på de övre delarna av dammtankens spärrar (Bild E1 och E2).

För att ta bort den, tryck på de nedre delarna av dammbehållaren och lyft sedan huvudaggregatet (bild E3).

MONTERING/AVMONTERING AV DAMMPÅSE

- Läs upp dammbehållaren och lyft upp kraftaggregatet.
- För att installera,** för in endast dammpåsens platta i spåret på dammpåsens fäste tills plattan faller ner i ribborna. Fäll ut dammpåsen manuellt innan du samlar upp damm eller skräp (Fig. F1).
För att ta bort dammpåsen, lyft plattan något över ribborna och dra sedan plattan från spåret (bild F2).

F1-1	Fäste för dammpåse	F1-2	Spår
F1-3	Dammpåse	F1-4	Platta
F2-1	Ribbor		

DRIFT

ANVÄNDNING

Du kan använda denna produkt för de tillämpningar som listas nedan:

- Suga in flytande avfall eller torrt damm när suginloppsporten används.
- Fungerar som fläkt när utblåsningsporten används.

FÄST/TA LOSS BATTERIPAKETET

Använd endast med EGOs batteripaket och laddare som listas i bild A3.

Se motsvarande batteripaket och laddarmanualer för mer information.

Ladda fullt innan första användning.

Fästa

Rikta in listerna på batteriet med monteringsspåren och

tryck sedan ner batteripaketet tills du hör ett "klick" (bild G1).

TA BORT

Tryck in låsknappen för batteriet och dra sedan ut batteripaketet (bild G2).

G1-1	Monteringsspår	G1-2	List
G2-1	Låsknapp för batteriet		

START/STOPP AV VÅT-/TORRDAMMSUGAREN (BILD H)

SÅ HÄR STARTAR DU DAMMSUGAREN

- Kontrollera att krafthuvudet är monterat på dammbehållaren och att dammbehållaren är ordentligt låst. Kontrollera att dammsugarlangen, nödvändiga förlängningsrör och munstycket är korrekt anslutna.

NOTERA: Dammsugaren fungerar endast när motorenheten är ordentligt fastsatt på dammbehållaren.

- Montera batteripaketet.
- Tryck på strömbrytaren för att starta dammsugaren.
- Tryck på knappen för hastighetsjustering för att välja låg eller hög hastighet och tryck sedan på start/stopp-knappen för att starta dammsugningen. Eller tryck på TURBO-knappen för att starta dammsugaren direkt med maximal hastighet.

NOTERA: Hastigheten kan också justeras under dammsugningen. Mer information finns i kapitlet "VAL AV HASTIGHET".

FÖR ATT STOPPA DAMMSUGNINGEN

- När dammsugningen är klar eller när dammbehållaren är full, tryck på start/stopp-knappen för att tillfälligt stoppa dammsugningen.
- Eller tryck på strömbrytaren för att stänga av dammsugaren helt.
- Ta ut batteripaketet.
- Töm dammbehållaren i ett lämpligt kärl eller avlopp.

NOTERA: Dammsugaren återgår till den tidigare aktiva inställningen för normal hastighet när den startas om.

SE

INDIKATOR FÖR STRÖMKNAPP

Indikator för strömknapp	Innebörd	Åtgärd
Fast grön	Standby	Inga åtgärder krävs. Damsugaren stängs av automatiskt efter en timmes inaktivitet
	Maskinen går som den ska.	Normal drift.
Blinkar grönt sex gånger och stängs sedan av.	Vätskenivån i tanken när vätskesensorernas nedre spets	Stoppa damsugaren, ta ur batteripaketet och töm sedan tanken enligt tömningsinstruktionen.
Blinkar grönt kontinuerligt	Elektronikfel	Kontakta EGO:s kundtjänst för hjälp

SE

VALKNAPP HASTIGHET

NORMAL HASTIGHET

- Varje gång du trycker på hastighetsknappen växlar hastigheten mellan hög nivå, TURBO-nivå och låg nivå. Lufthastighetsindikatorn visar gröna lampor som motsvarar de aktuella hastighetsnivåerna.
- Fläkten sparar den senast använda lufthastighetsinställningen och återgår till den vid omstart.

TURBO-LÄGE

- Tryck på knappen "TURBO", TURBO-indikatorn lyser grönt och fläkten går över till "TURBO"-läge, dvs. högsta lufthastighet.
- När du är i TURBO-läge och trycker på TURBO-knappen igen, eller trycker på knappen för hastighetsjustering, start/stopp-knappen eller strömbrytaren, släcks TURBO-indikatorn och damsugaren lämnar TURBO-läget.

NOTERA: Efter att ha lämnat TURBO-läget kommer damsugaren att återgå till den tidigare aktiva normala hastigheten.

SUGREGULATOR (BILD 1)

Vid dammsugning kan luftflödet i slutet av dammsugarslangen kontrolleras genom att vrida på sugregulatorn. Vrid regulatorn så att luftutloppet exponeras för att minska sugkraften, eller vrid regulatorn så att luftutloppet täcks för att öka sugkraften.

Denna funktion är särskilt användbar när dammsugarslangen är tätad av mattor, tyg etc. under sugning, vrid regulatorn för att exponera luftutloppet, sugningen kommer att minskas.

I-1	Regulator för sugning	I-2	Luftutsläpp
-----	-----------------------	-----	-------------

FJÄRRKONTROLL

- Fjärrkontrollen kan vara placerad på dammsugarslangen under dammsugningen (bild J1).
- När damsugaren är påslagen kan du starta/stoppa damsugaren eller växla till TURBO-läge med hjälp av fjärrkontrollen.

NOTERA: Fjärrkontrollen kan inte växla mellan normal låg eller hög hastighet.

- Fjärrkontrollen kan också användas som ficklampa för mörka områden, särskilt när du använder spaltmunstycket.

PARKOPPLING AV FJÄRRKONTROLL (BILD J2)

Fjärrkontrollen parkopplades med damsugaren på fabriken. Om fjärrkontrollen har skadats eller tappats bort kan du dock följa stegen nedan för att para ihop den nya fjärrkontrollen med damsugaren.

- Montera batteripaketet.
- Tryck på strömbrytaren för att starta damsugaren.
- Tryck länge på start/stopp-knappen på damsugaren tills strömknappens indikator blinkar långsamt grönt.
- Tryck på TURBO-knappen eller på fjärrkontrollens start/stoppknapp så snart strömknappen börjar blinka grönt och sakta.
- Strömknappens indikator blinkar snabbt grönt och lyser sedan med fast grönt sken för att visa att parkopplingen lyckades.

Indikator för fjärrkontroll

Indikator för fjärrkontroll	Innebörd	Åtgärd
Blinkar grönt snabbt	Fjärrkontrollens batteri är nästan helt urladdat.	Ladda fjärrkontrollen.
Blinkar långsamt grönt	Fjärrkontrollen håller på att laddas.	Ingen åtgärd behövs.
Fast grön	Laddningen av fjärrkontrollen är slutförd.	Koppla bort fjärrkontrollen och laddningskabeln från strömförsörjningen.

NOTERA: Vid normal drift tänds fjärrkontrollens indikator en gång och släcks sedan när du trycker en gång på TURBO-knappen eller start/stopp-knappen.

Laddning av fjärrkontrollen (bild J3)

Med jämna mellanrum måste batteriet i fjärrkontrollen laddas upp.

⚠ VARNING: För detta uppladdningsbara Li-jon-batteri i fjärrkontrollen, vänligen observera nedanstående:

- Risk för brand och brännskador.
 - Får inte öppnas, krossas, upphettas till över 60 °C eller förbrännas.
 - Undvik kortslutning.
 - Sluta använda produkten om den buktar ut kraftigt.
1. Öppna locket till USB-C-porten.
 2. Anslut USB-C-änden på den medföljande laddningskabeln till USB-C-porten på fjärrkontrollen.
 3. Anslut den andra änden av laddningskabeln till en kompatibel USB-strömadapter/laddare (medföljer ej). Det kan ta upp till två timmar att ladda ett helt urladdat batteri.
 4. När laddningen är klar ska du koppla bort laddningskabeln och stänga USB-C-portskyddet för att skydda USB-C-porten från föroreningar.

J3-1	Skydd för USB-C-port	J3-2	USB-C-port
J3-3	Laddningskabel		

ARBETA MED DAMMSUGAREN

Våtdammsugning - drift

- Använd inte dammpåsen under våtdammsugning.
- Stäng av dammsugaren omedelbart när dammbehållaren är full. Töm dammbehållaren i ett lämpligt kärl eller avlopp.
- Rengör dammbehållaren, filtret och tillbehören invändigt med jämna mellanrum, oftare när de används för att ta upp våta, klibbiga material.

Torrdammsugning - drift

- Se till att filtret är helt torrt efter våtdammsugning eller använd ett andra torrfilter för torrdammsugning. Fuktiga eller våta filter blir igensatta av damm eller möglar.
- Använd en dammpåse för att minska exponeringen för kvartsdamm.
- Stäng omedelbart av dammsugaren när dammpåsen eller dammbehållaren är full.

- Töm dammbehållaren i ett lämpligt kärl eller avlopp.

Blåsfunktion

⚠ VARNING: Använd alltid ögonskydd när du använder maskinen som blåsmaskin.

⚠ VARNING: Blås inte i lättantändliga eller brännbara material, t.ex. bensen, och använd den inte i områden där sådana material kan finnas. Brand kan uppstå.

⚠ VARNING: Rikta inte luftflödet i riktning mot människor eller husdjur.

UNDERHÅLL

⚠ VARNING: För att förhindra allvarliga personskador ska du ta ut batteripaketet före service, rengöring, ändring av tillbehör eller borttagning av material från enheten.

ALLMÄNT UNDERHÅLL

Använd inte lösningsmedel när du rengör plastdelarna. De flesta plaster är känsliga för skador från olika typer av kommersiella lösningsmedel och kan skadas av dess användning. Använd en ren trasa för att ta bort smuts, damm, olja, fett osv.

⚠ VARNING: Låt aldrig bromsvätska, bensen, petroleumbaserade produkter, smörjfett osv. komma i kontakt med plastdelarna. Kemikalier kan skada, försvaga eller förstöra plast, vilket kan resultera i allvarliga personskador.

⚠ VARNING: För att minska risken för brand, personskador och produktskador på grund av kortslutning får du aldrig sänka ned maskinen, batteriet eller laddaren i vätska eller låta vätska rinna inuti dem. Frätande eller ledande vätskor, t.ex. havsvatten, vissa industrikemikalier, blekmedel eller produkter som innehåller blekmedel, etc., kan orsaka kortslutning.

TÖMNING AV DAMMBEHÅLLAREN

1. Ta bort locket till dräneringsporten för att tömma vätskan i dammbehållaren i ett lämpligt kärl eller avlopp, om sådant finns.
2. Ta ut motorenheten från dammbehållaren.
3. Ta bort dammpåsen om en sådan är monterad.
4. Avlägsna all smuts från dammbehållaren och rengör den med mild tvål och vatten.
5. Låt dammbehållaren torka innan du återmonterar kraftaggregatet.

UNDERHÅLL AV FILTER

SE

SJÄLVRENGÖRANDE SYSTEM FÖR FILTER

1. Anslut dammsugarslangen till dammsugarens inloppsport och montera den andra änden av slangens på filtrets självrengörande plugg (bild K1).
2. Installera batteripaketet och tryck på strömbrytaren för att slå på maskinen.
3. Välj önskat hastighetsläge och tryck på start/stoppknappen för att sätta på maskinen.
4. Tryck på filtrets självrengöringsknapp för att rengöra filtret (bild K2).

TIPS: För att uppnå bästa rengöringseffekt rekommenderar vi att du väljer TURBO-läge och trycker på filtrets självrengöringsknapp fem gånger och håller den intryckt i tre sekunder varje gång.

SE

K1-1	Inloppsport för sugning	K1-2	Dammsugarslang
K1-3	Filter Självrengörande Plug	K2-1	Självrengöringsknapp för filter

TVÄTTA FILTRET

Ta bort batteripaketet och undersök filtret genom att lyfta på krafthuvudet. Om filtret fortfarande är smutsigt efter att du har följt anvisningarna i avsnittet "Självrengörande filter", tar du bort filtret och sköljer det i kallt vatten. Låt filtret torka helt och installera det igen.

BYTE AV FILTER (BILD L1 OCH L2)

⚠ VARNING: Kontrollera filtret med jämna mellanrum och byt ut det om det är slitet eller skadat. Om ett skadat filter används kan det leda till att oönskade luftburna föroreningar frigörs från behållaren.

1. Lyft upp motorenheten och lägg det åt sidan (bild L1).
2. Fäll ut handtaget på filterfästet och dra ut fästet med filtret (bild L2).
3. Använd en fuktig trasa för att ta bort damm och skräp från filterområdet.
4. Montera ett nytt eller rengjort filter i fästet.
5. Placera fästet i filterområdet och vik in handtaget.

L1-1	Handtag	L1-2	Filterfäste
------	---------	------	-------------

FÖRVARING AV DAMMSUGAREN

1. Ta bort batteripaketet från verktyget.
2. Rengör verktyget nogga innan förvaring.

3. Förvara enheten på en torr, välventilerad plats, inlåst eller högt upp, utom räckhåll för barn. Förvara inte fläkten på eller i anslutning till gödningsmedel, bensin eller andra kemikalier.

SKYDDA MILJÖN



Kasta inte elektrisk utrustning, använt batteri och laddare i hushållssoporna! Ta denna produkt till en auktoriserad återvinnare och gör den tillgänglig för separat insamling. Elektriska verktyg måste returneras till en miljöanpassad återvinnare.

FELSÖKNING

PROBLEM	ORSAK	LÖSNING
Dammsugaren går inte att starta.	<ul style="list-style-type: none"> ■ Laddningsnivån för batteripaket är låg ■ Batteripaketet är inte korrekt installerat. 	<ul style="list-style-type: none"> ■ Ladda batteripaketet. ■ Skjut på batteripaketet på dammsugaren tills det snäpper fast.
Dammsugarkraften är svag	<ul style="list-style-type: none"> ■ Det finns ett stopp i dammsugarlangen eller i insugningsröret. ■ Filtret är igensatt av fint damm. ■ Dammbehållaren är full. ■ Laddningsnivån för batteripaket är låg ■ Avtappningsportlocket tas bort från dammbehållaren. 	<ul style="list-style-type: none"> ■ Kontrollera och åtgärda blockering i dammsugarlangen eller suginloppet. ■ Rengör filtret enligt avsnittet "UNDERHÅLL AV FILTER" i den här bruksanvisningen. ■ Töm dammbehållaren. ■ Ladda batteripaketet ■ Montera locket till dräneringsporten på dammbehållaren.
Maskinen är igång men det finns ingen sugkraft.	<ul style="list-style-type: none"> ■ Aggregatet är inte helt monterat på dammbehållaren. 	<ul style="list-style-type: none"> ■ Se till att kraftaggregatet är helt monterat på dammbehållaren.
Damm läcker ut från utblåsningsöppningen.	<ul style="list-style-type: none"> ■ Filter saknas eller är felaktigt installerat. ■ Filtret är skadat. 	<ul style="list-style-type: none"> ■ Kontrollera att filtret är korrekt installerat. ■ Byt till ett nytt filter.
Dammsugaren kan inte styras via fjärrkontrollen.	<ul style="list-style-type: none"> ■ Fjärrkontrollen är inte parkopplad med dammsugaren. ■ Fjärrkontrollens laddning är låg. ■ Fjärrkontrollen är skadad. 	<ul style="list-style-type: none"> ■ Para ihop fjärrkontrollen med dammsugaren enligt kapitlet "Para ihop fjärrkontrollen" i den här bruksanvisningen. ■ Ladda fjärrkontrollen. ■ Använd en ny fjärrkontroll och utför fjärrkontrollsparringen.

SE

GARANTI

EGO GARANTIPOLICY

Besök webbsidan egopowerplus.eu för fullständiga villkor för EGO garantipolicy.

LUE KAIKKI OHJEET!



LUE KÄYTTÖOPAS

VAROITUS: Pätevän huoltoteknikon tulee suorittaa kaikki korjaukset, jotta voidaan taata tuotteen turvallinen ja luotettava käyttö.

TURVALLISUUSYMBOLIT

Turvallisuussymbolien tarkoituksena on kiinnittää huomiota mahdollisiin vaaroihin. Turvallisuussymbolit ja niiden selitykset on syytä lukea tarkkaan ja ymmärtää perusteellisesti. Varoitusymbolit eivät yksin poista vaaran mahdollisuutta. Niiden antamat ohjeet ja varoitukset eivät korvaa kunnollisia onnettomuuksien ehkäisytoimenpiteitä.

VAROITUS: Lue ja ymmärrä tämän käyttöoppaan kaikki turvallisuusohjeet, mukaan lukien turvallisuusvaroitusymbolit, kuten "VAARA", "VAROITUS" ja "HUOMIO" ennen koneen käyttämistä. Alla olevien ohjeiden noudattamatta jättäminen saattaa aiheuttaa sähköiskun, tulipalon ja/tai vakavan henkilövahingon.

FI

SYMBOLIEN MERKITYKSET

TURVALLISUUSHÄLYTYKSEN SYMBOLI: Ilmaisee VAARAA, VAROITUSTA tai HUOMIOTA, voidaan käyttää muiden symboleiden tai kuvamerkkien yhteydessä.

TURVALLISUUSOHJEET

Tällä sivulla kuvataan ja esitellään turvallisuussymbolit, jotka saattavat esiintyä tässä tuotteessa. Lue, ymmärrä ja noudata kaikkia laitteen ohjeita ennen kuin yrität koota sen tai käyttää sitä.



Turvallisuushälytys



Käyttäjän on luettava käyttöopas loukkaantumisvaaran vähentämiseksi.



Vanhoja sähkölaitteita ei saa hävittää kotitalousjätteen mukana. Vie laite valtuutettuun kierrätyslaitokseen.



Tasavirta



Tämä tuote vastaa sovellettavia EU-direktiivejä.



UK Vaatimustenmukaisuus arvioitu

IPX4 Suojaus vesiroiskeilta

L Litra

kg Kilogramma

V Voltti

°C Celsius

L/min Litraa minuutissa

Pa Pascal

VAROITUS: Lue ja ymmärrä kaikki ohjeet. Alla olevien ohjeiden noudattamatta jättäminen saattaa aiheuttaa sähköiskun, tulipalon ja/tai vakavan henkilökohtaisen vamman.

Tätä laitetta ei ole tarkoitettu henkilöille (mukaan lukien lapset), joilla on alentunut fyysinen, aistillinen tai henkinen toimintakyky tai joilta puuttuu kokemusta ja tietoa, paitsi jos heidän turvallisuudestaan vastuussa oleva henkilö on neuvonut ja ohjeistanut heitä laitteen käytöstä.

- Lapsia tulee valvoa, jotta he eivät leiki laitteella.
- Älä altista laitetta tai akkua liian korkeille lämpötiloille.
- Varo vaaraa, että akkukäyttöisen laitteen tai akun liittimet saattavat joutua oikosulkuun metalliesineiden takia.
- Ladattavat paristot on poistettava laitteesta ennen lataamista.
- Erilaisia paristoja tai uusia ja käytettyjä paristoja ei saa sekoittaa keskenään.
- Tyhjät paristot on poistettava laitteesta ja hävitettävä turvallisesti.
- Paristot on poistettava, jos laitetta säilytetään käyttämättömänä pitkän aikaa.
- Älä vaihda ladattavia paristoja muita kuin ladattaviin paristoihin.
- Älä käytä muunneltuja tai vahingoittuneita paristoja.
- **Käytä vain määritettyjen akkujen ja latareiden kanssa**

Säilytä nämä ohjeet. Lue ohjeet säännöllisesti ja käytä niitä muiden koneen käyttäjien ohjeistamisessa. Jos lainaat tämän koneen jollekulle muulle, lainaa samalla myös nämä ohjeet tuotteen väärinkäytön ja mahdollisen henkilövahingon estämiseksi.

TEKNISET TIEDOT

Jännite	56 V		
Pölysäiliön tilavuus	34 L		
Nopeustila	Alhainen	Korkea	TURBO
Maks. Ilmavirta (l/min)	1900	2500	3100
Maks. Imuteho (Pa)	10000	15900	24800
Kauko-ohjain	Latauslämpötilä	0°C - 45°C	
	Maks. Latausjännite	5 V	
	Maks. Latausvirta	1 A	
Paino (ilman akkua)	12.1 kg		
Suosittelun käyttölämpötilä	-5°C - 40°C		

Suosittelu säilytyslämpötilä	-20°C - 70°C
------------------------------	--------------

PAKKAUSLUETTELO (KUVAT A1 JA A2)

SUOSITELLUT LISÄVARUSTEET

VAROITUS: Käytä vain alla lueteltuja lisävarusteita. Sellaisten lisävarusteiden käyttö, jotka eivät vastaa alkuperäisiä laitemäärytyksiä, saattaa aiheuttaa vääränlaisen toiminnan ja heikentää turvallisuutta.

OSAN NIMI	MALLIN NUMERO
Pölypussit (5 kpl)	AVG0905
Vaihtosuodatin	AVF0900

FI

KUVAUS

MÄRKÄ-/KUIVAIMURIN OSAT (KUVAT A1 JA A2)

1. Akkupäähakoonpano
2. Kahva
3. Lisävarusteiden säilytyslokero
4. Pölysäiliön salpa (x2)
5. Takapyörä (x2)
6. Pölysäiliö
7. Jarrullinen rullapyörä (x2)
8. Tyhjennysportin korkki
9. Rakosuutin
10. Imun tuloaukko
11. Käyttöpaneeli
12. Imuletkun säilytyspaikat
13. Puhalluksen ulostuloaukko
14. Lisävarusteiden tilapäinen säilytys
15. Iso lattiasuutin + harjatanko
16. Jatkoputket
17. Akun vapautuspainike
18. Suodattimen itsepuhdistuspainike
19. Suodatin itsepuhdistustulppa
20. Imuletku
21. Letkun vapautuspainike
22. Imun säädin
23. Kauko-ohjaimen kiinnike
24. Kumitanko
25. Pölypussi
26. Kauko-ohjaimen latauskaapeli
27. Kauko-ohjain
28. Pyöreä pölyharjasuutin
29. Kompakti lattiasuutin
30. Sähkötyökalun sovitin
31. Virtapainike

32. Käynnistys-/pysäytyspainike
33. Nopeuspainike
34. Nopeuden merkkivalo
35. TURBO-painike
36. TURBO-merkkivalo
37. Suodatin
38. Suodattimen kiinnitin
39. Nesteanturi (x4)
40. Pölypussin kiinnitin
41. Tyhjennysportti

KOKOAMINEN

IMULETKUN KIINNITTÄMINEN/IRROTTAMINEN

Kiinnitöt työntämällä letkun pään imun tuloaukkoon tai puhalluksen ulostuloaukkoon, kunnes kuulet "naksahduksen" (kuva B1).

Irrotat pitämällä letkun vapautuspainikkeita painettuina (kuva B2) letkun poistamiseksi.

B1-1	Imuletku	B1-2	Imun tuloaukko
B1-3	Puhalluksen ulostuloaukko	B2-1	Letkun vapautuspainikkeet

JATKOPUTKIEKIEN KIINNITTÄMINEN/IRROTTAMINEN (KUVA C)

Liitä yksi tai kaksi jatkoputkea imuletkuun tarpeidesi mukaan.

Kiinnittämistä varten työnnä jatkoputken kapea pää imuletkuun niin pitkälle kuin mahdollista, kunnes jatkoputki kiinnittyy paikalleen.

Irrottaminen tapahtuu vetämällä jatkoputki irti imuletkusta.

Toinen jatkoputki kiinnitetään/irrotetaan ensimmäiseen putkeen samalla tavalla.

C-1	Imuletku	C-2	Kapea pää
C-3	Leveä pää	C-4	Jatkoputket

SUUTTIMIEN ASENTAMINEN/IRROTTAMINEN

Valitse sopiva suutin, joka asennetaan imuletkuun suoraan tai jatkoputkeen tarpeidesi mukaan (kuva D1)

- Kun haluat yhdistää suuttimen jatkoputkeen, työnnä suutin jatkoputkeen niin pitkälle kuin voit, kunnes se kiinnittyy paikalleen. Irrottaminen tapahtuu vetämällä suutin irti jatkoputkesta.
- Jos haluat yhdistää suuttimen suoraan imuletkuun, kohdista suuttimen nuppi imuletkussa olevaan

uraan ja työnnä suutinta imuletkuun, kunnes kuulet "naksahduksen". Irrota suutin pitämällä vapautuspainiketta painettuna.

D1-1	Vapautuspainike	D1-2	Ura
D1-3	Jatkoputket (valinnaiset)	D1-4	Nuppi
D1-5	Suutin		

Rakosuutin (kuva D2)

Pimeät alueet on helppo puhdistaa, kun käytetään rakosuutinta ja kauko-ohjaimen integroitua valoa.

Yhdistä rakosuutin imuletkuun ja kiinnitä kauko-ohjain imuletkussa olevaan kauko-ohjaimen kiinnikkeeseen. Paina kauko-ohjaimen valopainiketta, jolloin läpinäkyvä rakosuutin syttyy.

D2-1	Rakosuutin	D2-2	Valopainike
D2-3	Kauko-ohjain		

Sähkötyökalun sovitin (kuva D3)

Sähkötyökalun sovittimen avulla imuri voidaan liittää sähkötyökaluun, jossa on 32 mm:n pölyaukko.

Kun imuletku on kytketty imurin imun tuloaukkoon, työnnä sähkötyökalun sovitin imuriin niin pitkälle kuin mahdollista, kunnes sähkötyökalun sovitin kiinnittyy paikalleen, ja liitä sitten sovitin sähkötyökalun pölyn ulostuloaukkoon.

VAROITUS: Sähkötyökalun sovintia ei voi liittää jatkoputkeen (jatkoputkiin). Väkisin asentaminen voi vahingoittaa sähkötyökalun sovintia tai jatkoputkea (jatkoputkia).

D3-1	Sähkötyökalu (ei mukana)	D3-2	Sähkötyökalun sovitin
D3-3	Imuletku	D3-4	Imun tuloaukko

Iso lattiasuutin + harjatanko/kumitanko (kuva D4)

Iso lattiasuutin voidaan yhdistää harjatankoon tai kumitankoon.

Avaa hieman tangon molempia päitä ja paina päät alaspäin irrottaaksesi tangon suuttimesta.

Asenna tanko työntämällä tangon päitä suuttimen reikiin, kunnes kuulet "naksahduksen".

D4-1	Iso lattiasuutin	D4-2	Suuttimen reiät
D4-3	Kumitanko	D4-4	Tangon päät

AKKUPÄÄKOKOONPANON ASENTAMINEN/ IRROTTAMINEN

Asennusta varten paina pölysäiliön salpojen alaosa, laske akkupääkokoontalo pölysäiliön päälle ja paina sitten pölysäiliön salpojen yläosa (kuvat E1 ja E2).

Irrottaaksesi paina pölysäiliön alaosa ja nosta sitten akkupääkokoontalo (kuva E3).

PÖLYPUSSIN ASENTAMINEN/IRROTTAMINEN

1. Irrota pölysäiliön lukitus ja nosta akkupääkokoontalo.
2. **Asenna** pölypuussin levy pölypuussin kiinnittimen aukkoon, kunnes levy putoaa alas ulokkeisiin. Avaa pölypuussi käsin ennen pölyn tai roskien keräämistä (kuva F1).

Irrottaaksesi pölypuussin nosta levyä hieman ulokkeiden yli ja vedä sitten levy pois aukosta (kuva F2).

F1-1	Pölypuussin kiinnitin	F1-2	Aukko
F1-3	Pölypuussi	F1-4	Levy
F2-1	Ulokkeet		

KÄYTTÖ

KÄYTTÄMINEN

Tätä laitetta voi käyttää seuraavassa mainittuihin tarkoituksiin:

- Nestemäisen jätteen tai kuivan pölyn imeminen, kun käytetään imun tuloaukkoa.
- Toimii puhaltimena, kun puhalluksen ulostuloaukko on käytössä.

AKUN LIITTÄMINEN/POISTAMINEN

Käytä vain EGO:n akkuja ja latureita, jotka on lueteltu kuvassa A3.

Lisätietoja on vastaavien akkujen ja latureiden käyttöohjeissa.

Lataa täyteen ennen ensimmäistä käyttökertaa.

Liittäminen

Aseta akun ulokkeet kiinnitysaukoihin ja liu'uta akkua alaspäin imuriin, kunnes kuulet "napsahduksen" (kuva G1).

Poistaminen

Paina akun vapautuspainiketta ja vedä akku ulos (kuva G2).

G1-1	Kiinnitysaukko	G1-2	Uloke
G2-1	Akun vapautuspainike		

MÄRKÄ-/KUIVAIMURIN KÄYNNISTÄMINEN/ PYSÄYTTÄMINEN (KUVA. H)

Imurin käynnistäminen

1. Varmista, että akkupääkokoontalo on asennettu pölysäiliöön ja että pölysäiliö on lukittu kunnolla. Varmista, että imuletku, tarvittava jatkoputki (jatkoputket) ja suutin on yhdistetty oikein.

HUOMAA: Imuri toimii vain silloin, kun akkupääkokoontalo on kiinnitetty pölysäiliöön kunnolla.

2. Aseta akku paikalleen.
3. Käynnistä imuri painamalla virtapainiketta.
4. Paina nopeuden säätöpainiketta valitaksesi alhaisen tai korkean nopeuden ja paina sitten käynnistys-/pysäytyspainiketta käynnistääksesi imurin. Tai paina TURBO-painiketta käynnistääksesi imurin suoraan maksiminopeudella.

HUOMAA: Nopeutta voidaan säätää myös imuroinnin aikana. Lisätietoja on luvussa **"NOPEUDEN VALINTA"**.

Imuroinnin pysäyttäminen

1. Kun imurointi on suoritettu tai kun pölysäiliö on täynnä, paina käynnistys/pysäytyspainiketta pysäyttääksesi imurin väliaikaisesti.
2. Tai sammuta imuri kokonaan painamalla virtapainiketta.
3. Poista akku.
4. Tyhjennä pölysäiliö sopivaan astiaan tai viemäriin.

HUOMAA: Kun imuri käynnistetään uudelleen, se palaa aiemmin käytössä olleeseen normaaliin nopeusasetukseen.

FI

Virtapainikkeen merkivalo

Virtapainikkeen merkivalo	Merkitys	Toimenpide
Pala vihreänä	Valmiustila	Toimenpiteitä ei tarvita. Imuri sammuu automaattisesti 1 tunnin käyttämättömyyden jälkeen
	Kone toimii moitteettomasti.	Normaali toiminta.
Vilkkuu vihreänä 6 kertaa ja sammuu sitten.	Säiliön nestetaso saavuttaa nesteanturien alareunan kärjen	Pysäytä imuri, poista akku ja tyhjennä säiliö tyhjennysohjeen mukaisesti.
Vilkkuu jatkuvasti vihreänä	Elektroniikkavirhe	Ota yhteyttä EGO:n asiakaspalveluun neuvojen saamiseksi

FI

NOPEUDEN VALINTA

Normaali nopeustila

- Aina kun nopeuspainiketta painetaan, nopeus vaihtuu korkean tason ja alhaisen tason välillä. Nopeuden merkkivalo näyttää vihreinä valot, jotka vastaavat nykyistä nopeustasoa.
- Imuri tallentaa viimeksi käytetyn nopeusasetuksen ja palaa siihen uudelleen käynnistettäessä.

TURBO-tila

- Paina TURBO-painiketta, jolloin TURBO-merkkivalo palaa vihreänä ja imuri alkaa toimia suoraan TURBO-nopeudella eli suurimmalla nopeudella.
- Kun olet TURBO-tilassa, paina TURBO-painiketta uudelleen tai paina nopeuden säätöpainiketta, käynnistys-/pysäytyspainiketta tai virtapainiketta – TURBO-merkkivalo sammuu ja imuri poistuu TURBO-tilasta.

HUOMAA: Kun TURBO-tilasta poistutaan, imuri palaa aiemmin käytössä olleeseen normaaliin nopeuteen.

IMUN SÄÄDIN (kuva I)

Imuroinnin aikana imuletkun päässä olevaa ilmapirtaa voidaan säätää kääntämällä imun säädintä. Käännä säädintä niin, että ilman ulostuloaukko tulee näkyviin, jos haluat vähentää imua, tai käännä säädintä niin, että ilman ulostuloaukko peittyi, jos haluat lisätä imua.

Tämä ominaisuus on erityisen hyödyllinen, kun imuletku tukkeutuu matoista, kankaista jne. imun aikana. Kääntämällä säädintä ilman ulostuloaukon paljastamiseksi, imu vähenee.

I-1	Imun säädin	I-2	Ilmanpoisto
-----	-------------	-----	-------------

KAUKO-OHJAIN

- Kauko-ohjain voidaan asettaa imuroinnin aikana imuletkun päälle (kuva J1).
- Kun imuriin on kytketty virta, voit käynnistää/pysäyttää imurin tai kytkeä koneen TURBO-tilaan kauko-ohjainta käyttämällä.

HUOMAA: Kauko-ohjaimella ei voi vaihtaa normaalin alhaisen tai korkean nopeuden välillä.

- Kauko-ohjainta voidaan käyttää myös taskulamppuna pimeillä alueilla, erityisesti kun käytetään rakosuutinta.

Kauko-ohjaimen pariliitos (kuva J2)

Kauko-ohjain on liitetty pariksi imurin kanssa tehtaalla. Jos kauko-ohjain on kuitenkin vahingoittunut tai kadonnut, noudata alla olevia ohjeita muodostaaksesi pariliitoksen uuden kauko-ohjaimen ja imurin välille.

- Aseta akku paikalleen.
- Käynnistä imuri painamalla virtapainiketta.
- Paina imurin käynnistys-/pysäytyspainiketta pitkään, kunnes virtapainikkeen merkkivalo vilkkuu hitaasti vihreänä.
- Paina TURBO-painiketta tai kauko-ohjaimen käynnistys/pysäytyspainiketta heti, kun virtapainikkeen merkkivalo alkaa vilkkua hitaasti vihreänä.
- Virtapainikkeen merkkivalo vilkkuu nopeasti vihreänä ja palaa sitten vihreänä osoittaen, että pariliitos onnistui.

Kauko-ohjaimen merkkivalo

Kauko-ohjaimen merkkivalo	Merkitys	Toimenpide
Vilkkuu nopeasti vihreänä	Kauko-ohjaimen akun varaus on lähes tyhjä.	Lataa kauko-ohjain.
Vilkkuu hitaasti vihreänä	Kauko-ohjain latautuu	Mitään toimenpiteitä ei tarvita.

Palaa vihreänä	Kauko-ohjaimen lataus on valmis.	Irrota kauko-ohjain ja latauskaapeli virtalähteestä.
----------------	----------------------------------	--

HUOMAA: Normaalikäytön aikana kauko-ohjaimen merkkivalo syttyy kerran ja sammuu, kun TURBO-painiketta tai käynnistys/pysäytyspainiketta painetaan kerran.

Kauko-ohjaimen lataaminen (kuva J3)

Kauko-ohjaimen sisällä oleva akku on ladattava ajoittain.

VAROITUS: Huomioi seuraavat tiedot kauko-ohjaimen sisällä olevasta ladattavasta Li-ion-akusta:

- Tulipalon ja palovammojen vaara.
- Älä pura, murskaa, lämmitä yli 60 °C:een tai polta.
- Älä oikosulje.
- Jos akku pullistuu voimakkaasti, lopeta käyttö.

1. Avaa USB-C-portin kansi.
2. Liitä mukana toimitetun latauskaapelin USB-C-pää kauko-ohjaimen USB-C-porttiin.
3. Liitä latauskaapelin toinen pää yhteensopivaan USB-verkkolaitteeseen/laturiin (ei mukana). Täysin tyhjentyneen akun lataaminen voi kestää jopa 2 tuntia.
4. Kun lataus on valmis, irrota latauskaapeli ja sulje USB-C-portin kansi suojataksesi USB-C-porttia likaantumiselta.

J3-1	USB-C-portin kansi	J3-2	USB-C-portti
J3-3	Latauskaapeli		

TYÖSKENTELY IMURIN KANSSA

Märkäimurointi

- Älä käytä pölypussia märkäimuroinnin aikana.
- Sammuta imuri välittömästi, kun pölysäiliö on täynnä. Tyhjennä pölysäiliö sopivaan astiaan tai viemäriin.
- Puhdista pölysäiliön sisäpuoli, suodatinta ja lisävarusteet säännöllisesti, ja useammin, jos sitä käytetään märkien, tahmeiden materiaalien keräämiseen.

Kuiva imurointi

- Varmista, että suodatinta on täysin kuiva märkäimuroinnin jälkeen tai käytä toista kuivaa suodatinta kuiva imurointiin. Kosteat tai märät suodatimet tukkeutuvat pölystä tai homehtuvat.

- Käytä pölypussia välttääksesi altistumisen piidioksidipölylle.
- Sammuta imuri välittömästi, kun pölypussi tai pölysäiliö on täynnä.
- Tyhjennä pölysäiliö sopivaan astiaan tai viemäriin.

Puhaltimen toiminta

VAROITUS: Käytä aina suoja-laseja, kun käytät tätä konetta puhaltimena.

VAROITUS: Älä puhalla syttyviä tai palavia materiaaleja, kuten bensiiniä, äläkä käytä alueilla, joilla voi olla tällaisia materiaaleja. Seurauksena voi olla tulipalo.

VAROITUS: Älä suuntaa ilmavirtaa ihmisiä tai lemmikkielämiä kohti.

HUOLTAMINEN

VAROITUS: Vakavan henkilövamma välttämiseksi poista akku tuotteesta ennen kuin huollat tai puhdistat sitä, vaihdat lisäosia tai poistat materiaalia laitteesta.

YLEINEN KUNNOSSAPITO

Vältä liuotainaineiden käyttöä, kun puhdistat muoviosia. Useimmat muovit ovat herkkiä vaurioitumaan erilaisista kaupallisista liuottimista ja voivat vaurioitua niiden käytöstä. Poista lika, pöly, öljy, rasva ym. puhtaalla liinalla.

VAROITUS: Älä koskaan anna jarrunesteiden, bensiinin, öljypohjaisten tuotteiden, irrotusöljyjen ym. päästä kosketuksiin muoviosien kanssa. Kemikaalit voivat vaurioittaa, heikentää tai tuhota muovin, mikä voi johtaa vakavaan henkilövahinkoon.

VAROITUS: Oikosulun aiheuttaman tulipalon, henkilövahingon ja tuotevaurion riskin vähentämiseksi älä koskaan upota konetta, akkua tai laturia nesteeseen tai anna nesteen virrata niiden sisälle. Syövyttävät tai johtavat nesteet, kuten merivesi, tietyt teollisuuskemikaalit ja valkaisuaineet tai valkaisuainetta sisältävät tuotteet jne., voivat aiheuttaa oikosulun.

PÖLYSÄILIÖN TYHJENTÄMINEN

1. Irrota tyhjennysportin korkki tyhjentääksesi pölysäiliössä olevan nesteen sopivaan astiaan tai viemäriin, jos sellainen on käytettävissä.
2. Poista akkupääkokooppa pölysäiliöstä.
3. Poista pölypussi, jos pölypussi on asennettu.
4. Poista pölysäiliöstä kaikki lika ja roskat ja puhdista se miedolla saippualla ja vedellä.
5. Anna pölysäiliön kuivua ennen akkupääkokooppa asettamista.

SUODATTIMEN HUOLTO

SUODATTIMEN ITSEPUHDISTUSJÄRJESTELMÄ

1. Kytke imuletku imurin imun tuloaukkoon ja asenna letkun toinen pää suodattimen itsepuhdistustulppaan (kuva K1).
2. Asenna akku ja kytke kone päälle painamalla virtapainiketta.
3. Valitse haluamasi nopeustila ja käynnistä kone painamalla käynnistys/pysäytyspainiketta.
4. Puhdista suodatin painamalla suodattimen itsepuhdistuspainiketta (kuva K2).

VINKKEJÄ: Parhaan puhdistustehon saavuttamiseksi on suositeltavaa valita TURBO-tila ja painaa suodattimen itsepuhdistuspainiketta viisi kertaa ja pitää sitä painettuna 3 sekuntia joka kerta.

FI

K1-1	Imun tuloaukko	K1-2	Imuletku
K1-3	Suodattimen itsepuhdistustulppa	K2-1	Suodattimen itsepuhdistuspainike

SUODATTIMEN PESEMINEN

Irrota akku ja tarkasta suodatin nostamalla akkupääkokoospano. Jos suodatin on edelleen likainen kohdan **"Suodattimen itsepuhdistusjärjestelmä"** vaiheiden jälkeen, poista suodatin ja huuhtelee se kylmällä vedellä. Anna suodattimen kuivua täysin ja asenna se takaisin.

SUODATTIMEN VAIHTAMINEN (KUVAT L1 JA L2)

VAROITUS: Tarkasta suodatin säännöllisesti ja vaihda, jos se on kulunut tai vaurioitunut. Vaurioituneen suodattimen käyttö voi johtaa epätoivottujen epäpuhtauksien vapautumiseen kanisterista.

1. Nosta akkupääkokoospano ja aseta se sivuun (kuva L1).
2. Avaa suodattimen kiinnittimen kahva ja vedä kiinnitin ulos suodattimen kanssa (kuva L2).
3. Poista pöly ja roskat suodatinalueelta kostealla liinalla.
4. Asenna uusi tai puhdistettu suodatin kiinnittimeen.
5. Aseta kiinnitin suodatinalueelle ja taita kahva.

L1-1	Kahva	L1-2	Suodattimen kiinnitin
------	-------	------	-----------------------

IMURIN VARASTOINTI

1. Irrota akku imurista.
2. Puhdista imuri perusteellisesti ennen varastointia.

3. Säilytä imuri kuivassa, hyvin ilmastoidussa, lukitussa paikassa tai korkealla, poissa lasten ulottuvilta. Älä säilytä imuria lannoitteiden, bensiinin tai muiden kemikaalien päällä tai viereissä.

YMPÄRISTÖNSUOJELU



Älä hävitä sähkölaitteita, käytettyjä akkuja tai laturia kotitalousjätteen seassa! Vie tämä tuote hyväksytyyn kierrätyspaikkaan tai anna se erilliseen keräilyyn. Sähkötyökalut tulee palauttaa asianmukaiseen ympäristöstävälliseen kierrätyslaitokseen.

VIANMÄÄRITYS

ONGELMA	SYY	RATKAISU
The vacuum fails to start.	<ul style="list-style-type: none"> ■ Akun varaustaso on alhainen. ■ Akkua ei ole asennettu oikein. 	<ul style="list-style-type: none"> ■ Lataa akku. ■ Liu'uta akkua imuriin, kunnes se napsahtaa paikalleen.
Vacuum power is weak	<ul style="list-style-type: none"> ■ Imuletkussa tai imun tuloaukossa on tukos. ■ Suodatin on tukkeutunut hienosta pölystä. ■ Pölysäiliö on täynnä. ■ Akun varaustaso on alhainen. ■ Tyhjennysaukon korkki on poistettu pölysäiliöstä. 	<ul style="list-style-type: none"> ■ Tarkasta ja poista imuletkun tai imun tuloaukon tukos. ■ Puhdista suodatin tämän käyttöoppaan kohdan "SUODATTIMEN HUOLTO" mukaisesti. ■ Tyhjennä pölysäiliö. ■ Lataa akku ■ Asenna tyhjennysaukon korkki pölysäiliöön.
The machine is running but there is no suction.	<ul style="list-style-type: none"> ■ Akkupääkokoonpanoa ei ole asennettu kunnolla pölysäiliöön. 	<ul style="list-style-type: none"> ■ Varmista, että akkupääkokoonpano on asennettu pölysäiliöön kokonaan.
Dust escapes from the blowing outlet port.	<ul style="list-style-type: none"> ■ Suodatin puuttuu tai on asennettu väärin. ■ Suodatin on vaurioitunut. 	<ul style="list-style-type: none"> ■ Tarkasta, että suodatin on asennettu oikein. ■ Vaihda uusi suodatin.
The vacuum cannot be controlled through the remote control.	<ul style="list-style-type: none"> ■ Kauko-ohjainta ei ole liitetty pariksi imurin kanssa. ■ Kauko-ohjaimen varaus on vähissä. ■ Kauko-ohjain on vaurioitunut. 	<ul style="list-style-type: none"> ■ Muodosta kauko-ohjaimen ja imurin välille pariliitos tämän käyttöoppaan luvun "Kauko-ohjaimen pariliitos" mukaisesti. ■ Lataa kauko-ohjain. ■ Käytä uutta kauko-ohjainta ja suorita kauko-ohjaimen pariliitos.

FI

TAKUU

EGON TAKUUEHDOT

Verkkosivustolta egopowerplus.eu löydät EGO:n takuukäytännön täydelliset ehdot.

LES ALLE INSTRUKSJONER!



LES BRUKERHÅNDBOKEN

⚠ ADVARSEL: For å sikre sikkerhet og pålitelighet bør alle reparasjoner utføres av en kvalifisert servicetekniker.

SIKKERHETSSYMBOLER

Hensikten med sikkerhetssymboler er å tiltrekke deg oppmerksomheten mot mulige farer. Sikkerhetssymbolene og forklaringene med dem fortjener nøye oppmerksomhet og forståelse. Symbolvarslene eliminerer ikke i seg selv noen fare. Instruksjonene og advarslene de gir, erstatter ikke riktige tiltak for å forhindre ulykker.

⚠ ADVARSEL: Sørg for å lese og forstå alle sikkerhetsinstruksjonene i denne brukerhåndboken, inkludert alle sikkerhetsvarselssymboler som **“FARE”**, **“ADVARSEL”** og **“FORSIKTIG”** før du bruker denne maskinen. Unnlatelse av å følge alle instruksjonene nedenfor kan føre til elektrisk støt, brann og/eller alvorlig personskade.

NO

SYMBOLBETYDELSE

⚠ SIKKERHETSSYMBOL: Indikerer **FARE**, **ADVARSEL** eller **FORSIKTIG**, kan brukes sammen med andre symboler eller piktogrammer.

SIKKERHETSINSTRUKSJONER

Denne siden viser og beskriver sikkerhetssymboler som kan vises på dette produktet. Les, forstå og følg alle instruksjonene på maskinen før du prøver å montere og bruke den.



Sikkerhetsvarsel



For å redusere risikoen for skade, må brukeren lese bruksanvisningen.



Elektriske produkter skal ikke kastes sammen med husholdningsavfallet. Innlever ved en godkjent gjenvinningsstasjon.



Likestrøm



Dette produktet er i samsvar med gjeldende EU-direktiver.



Britisk samsvar vurdert

IPX4 Beskyttelse mot vannsprut

L Liter

kg Kilogram

V Volt

°C Celsius

L/min Liter per minutt

Pa Pascal

⚠ ADVARSEL: Sørg for å lese og forstå alle instruksjonene. Unnlatelse av å følge alle instruksjonene nedenfor kan føre til elektrisk støt, brann og/eller alvorlig personskade.

Dette apparatet er ikke ment for bruk av personer (inkludert barn) med reduserte fysiske, sensoriske eller mentale evner, eller med manglende erfaring og kunnskap, med mindre de har fått tilsyn eller instruksjoner om bruken av apparatet av en person som er ansvarlig for deres sikkerhet.

- Barn bør overvåkes for å sikre at de ikke leker med apparatet.
- Ikke utsett apparatet eller batteriet for høye temperaturer.
- Vær oppmerksom på risikoen for at polene på det batteridrevne apparatet eller batteriet kortsluttes av metallgjenstander.
- Oppladbare batterier må tas ut av apparatet før de lades.
- Ulike typer batterier eller nye og brukte batterier skal ikke blandes.
- Utbrukte batterier skal fjernes fra apparatet og kastes på en sikker måte.
- Hvis apparatet skal oppbevares ubrukt over lengre tid, bør batteriene tas ut.
- Ikke bruk ikke-oppladbare batterier i stedet for oppladbare batterier.
- Ikke bruk modifiserte eller skadede batterier.
- **Bruk kun med spesifiserte batteripakker og ladere**

Lagre disse instruksjonene. Se dem ofte og bruk dem til å instruere andre som kan bruke denne maskinen. Hvis du låner noen denne maskinen, lån dem også disse instruksjonene for å forhindre misbruk av produktet og mulig skade.

SPESIFIKASJONER

Spenning	56 V		
Støvtankkapasitet	34 L		
Hastighetsmodus	Lav	Høy	TURBO
Maks. Luftstrøm (L/min)	1900	2500	3100
Maks. Sugekraft (Pa)	10000	15900	24800
Fjernkontroll	Ladetemperatur	0°C - 45°C	
	Maks. Ladespenning	5 V	
	Maks. Ladestrøm	1 A	
Weight (Without battery pack)	12.1 kg		

Recommended Operating Temperature	-5°C - 40°C
Recommended Storage Temperature	-20°C - 70°C

PAKKELISTE (FIG. A1 & A2)

ANBEFALT TILBEHØR

⚠ ADVARSEL: Bruk kun tilbehør som er oppført nedenfor. Bruk av tilbehør som ikke oppfyller de originale utstyrspesifikasjonene kan føre til feil ytelse og kompromittert sikkerhet.

DELNAVN	MODELLNUMMER
Støvposer (5 stk)	AVG0905
Erstatningsfilter	AVF0900

NO

BESKRIVELSE

KJENN DITT VÅT/TØRR VAKUUM (FIG. A1 & A2)

1. Krafthodeenhet
2. Håndtak
3. Oppbevaringsrom for tilbehør
4. Støvtanklås (x2)
5. Bakhjul (x2)
6. Støvtank
7. Svinghjul med brems (x2)
8. Dreneringsportlokk
9. Spaltnunnstykke
10. Sugeinntaksport
11. Operatørpanel
12. Oppbevaringsspor for vakuumslange
13. Blåseuttaksport
14. Tilbehør midlertidig lagring
15. Stort gulvmunnstykke + børstestang
16. Forlengelsesrør
17. Batteriutløserknapp
18. Filter selvrensende knapp
19. Filter selvrensende plugg
20. Vakuumslange
21. Slangeutløserknapp
22. Sugeregulator
23. Fjernkontrollfeste
24. Gummistang
25. Støvpose
26. Ladekabel for fjernkontroll
27. Fjernkontroll
28. Rund støvbørstemunnstykke

29. Kompakt gulvmunnstykke
30. Strømverktøyadapter
31. På-knapp
32. Start/stopp-knapp
33. Hastighetsknapp
34. Hastighetsindikator
35. TURBO-knapp
36. TURBO-indikator
37. Filter
38. Filterbrakett
39. Væskesensor (x4)
40. Støpsebrakett
41. Avløpsport

MONTERING

TILKOBLE/KOBLE VAKUUMSLANGEN

NO

For å koble til, skyv enden av slangen inn i sugeinnløpsporten eller blåseutløpsporten til du hører et "klikk" (Fig. B1).

For å koble fra, trykk og hold inne slangefrigjøringsknappene for å fjerne slangen (fig. B2).

B1-1	Vakuumslange	B1-2	Sugeinntakspport
B1-3	Blåseuttakspport	B2-1	Slangefrigjøringsknapper

TILKOBLE/KOBLE AV FORLENGERØRENE (FIG. C)

Koble ett eller to forlengelsesrør til vakuumslangen i henhold til dine behov.

For å koble til, sett inn den smale enden av forlengelsesrøret inn i vakuumslangen så langt du kan til forlengelsesrøret er sikret på plass.

For å koble fra, trekk forlengelsesrøret fra vakuumslangen.

Det andre forlengelsesrøret kobles til/fra til det første røret på samme måte.

C-1	Vakuumslange	C-2	Smal ende
C-3	Bred ende	C-4	Forlengelsesrør

INSTALLERE/FJERNE DYSENE

Velg en passende dyse for å installere på vakuumslangen direkte eller på forlengelsesrøret i henhold til dine behov (fig. D1)

- For å koble munnstykket til forlengelsesrøret, sett munnstykket inn i forlengelsesrøret så langt du kan til det er festet på plass. For å koble fra, trekk munnstykket fra forlengelsesrøret.
- For å koble munnstykket til vakuumslangen direkte, innrett knotten på dysen med sporet i vakuumslangen, sett munnstykket inn i vakuumslangen til du

hører et "klikk". For å koble fra, trykk og hold inne utløserknappen for å fjerne dysen.

D1-1	Utløserknapp	D1-2	Spor
D1-3	Forlengelsesrør (valgfritt)	D1-4	Knott
D1-5	Munnstykke		

Spaltemunnstykke (fig. D2)

De mørke områdene kunne enkelt rengjøres ved bruk av spaltemunnstykket kombinert med det integrerte lyset på fjernkontrollen.

Koble spaltemunnstykket til vakuumslangen og klikk fjernkontrollen på fjernkontrollfestet på vakuumslangen. Trykk på lysknappen på fjernkontrollen og den gjennomsiktige sprekkmunnstykket vil lyse opp.

D2-1	Spaltemunnstykke	D2-2	Lysknapp
D2-3	Fjernkontroll		

Strømverktøyadapter (fig. D3)

El-verktøyadapteren lar støvsugeren kobles til et elektroverktøy med 32 mm støvuttak.

Med vakuumslangen koblet til sugeinntakspporten på vakuumet, sett inn elektroverktøyadapteren inn i vakuumet så langt du kan til elektroverktøyadapteren er sikret på plass, og koble deretter adapteren til støvuttaket på strømforsyningen verktøyet.

⚠ ADVARSEL: El-verktøyadapteren kan ikke kobles til forlengelsesrøret(e). Å tvinge installasjonen kan forårsake skade på elverktøyadapteren eller forlengelsesrøret(e).

D3-1	Elektroverktøy (ikke inkludert)	D3-2	Strømverktøyadapter
D3-3	Vakuumslange	D3-4	Sugeinntakspport

Stort gulvmunnstykke + børstestang/gummistang (fig. D4)

Det store gulvmunnstykket kan kombineres med børstestangen eller gummistangen.

Åpne begge endene av stangen litt og trykk endene ned for å fjerne stangen fra munnstykket.

For å installere stangen, skyv endene av stangen inn i hullene på dysen til du hører et "klikk".

D4-1	Stort gulvmunnstykke	D4-2	Hull av dyse
------	----------------------	------	--------------

D4-3	Gummistang	D4-4	Endene av baren
------	------------	------	-----------------

INSTALLERE/FJERNE STRØMHODEMONTERING

For å installere, skyv de nedre delene av støvtanklåsene, senk strømhodeenheten ned på støvtanken og skyv deretter de øvre delene av støvtanklåsene (Fig. E1 og E2).

For å fjerne, skyv de nedre delene av støvtanken, og løft deretter strømhodeenheten (fig. E3).

INSTALLERE/FJERNE STØVPOSEN

- Lås opp støvbeholderen og løft strømhodeenheten.
- For å installere,** sett bare platen på støvposen inn i sporet på støvposebraketten til platen faller nedover ribbene. Brett ut støvposen manuelt før du samler opp støv eller rusk (fig. F1).
For å fjerne, løft platen litt over ribbene og trekk deretter platen fra sporet for å fjerne støvposen (fig. F2).

F1-1	Støvposebrakett	F1-2	Spor
F1-3	Støvpose	F1-4	Plate
F2-1	Ribb		

OPERASJON

APPLIKASJON

Du kan bruke dette produktet til formålene som er oppført nedenfor:

- Suger inn flytende avfall eller tørt støv når sugeinntaksporten brukes.
- Fungerer som en blåser når blåseutløpsporten brukes.

FESTE/LØSNE BATTERIPAKKEN

Bruk kun med EGOs batteripakker og ladere oppført i Fig. A3.

Se bruksanvisningene for tilsvarende batteripakker og ladere for mer informasjon.

Lad helt opp før første gangs bruk.

Å feste

Juster batteriribbene med monteringssporene og skyv batteripakken inn på vakuemet til du hører et "klikk" (fig. G1).

Å løse

Trykk inn batteriutløserknappen og trekk ut batteripakken (fig. G2).

G1-1	Monteringsspor	G1-2	Ribbein
G2-1	Batteriutløserknapp		

STARTE/STOPPE VÅT/TØRR VAKUUM (FIG. H)

For å starte støvsugeren

- Kontroller at strømhodeenheten er installert på støvtanken og at støvtanken er sikkert låst. Sørg for at vakuumslangen, nødvendige forlengelsesrør og munnstykke er riktig tilkoblet.

MERK: Vakuemet kjører bare når strømhodeenheten er sikkert festet til støvtanken.

- Installer batteripakken.
- Trykk på strømknappen for å slå på vakuemet.
- Trykk på hastighetsjusteringsknappen for å velge lav hastighet eller høy hastighet, og trykk deretter på start/stopp-knappen for å starte vakuemet. Eller trykk på TURBO-knappen for å starte vakuemet direkte med maksimal hastighet.

MERK: Hastigheten kan også justeres under støvsuging. For mer informasjon se kapittelet "HASTIGHETSVALG".

For å stoppe vakuemet

- Når støvsugingen er fullført eller når støvtanken er full, trykk på start/stopp-knappen for å stoppe støvsugingen midlertidig.
- Eller trykk på strømknappen for å slå av støvsugeren helt.
- Ta ut batteripakken.
- Tøm støvbeholderen i en egnet beholder eller avløp.

MERK: Vakuemet vil gjenoppta den tidligere aktive vanlige hastighetsinnstillingen ved omstart.

Strømknappindikator

Strømknappindikator	Betydning	Handling
Solid grønn	Vent litt	Ingen handling kreves. Støvsugeren slås av automatisk etter 1 time uten aktivitet
	Maskinen går som den skal.	Normal operasjon.

NO

Blinker grønt kontinuerlig	Væskeniivået i tanken når bunnspissen av væskesensoren	Stopp vakuemet, fjern batteripakken og tøm deretter tanken i henhold til tømmeinstruksjonen.
Flashing green continuously	Elektronikk feil	Kontakt EGO kundeservice for hjelp

HASTIGHETSVALG

Vanlig hastighetsmodus

- Hver gang hastighetsjusteringsknappen trykkes, vil hastigheten veksle mellom lavt nivå og høyt nivå. Hastighetsindikatoren viser grønne lys som tilsvarer gjeldende hastighetsnivå.
- Vakuemet lagrer den siste hastighetsinnstillingen og går tilbake til den ved omstart.

TURBO-modus

- Trykk på TURBO-knappen, TURBO-indikatoren vil lyse grønt og vakuemet vil begynne å jobbe direkte med TURBO-hastighet, dvs. høyeste hastighet.
- Når du er i TURBO-modus, trykk på TURBO-knappen igjen, eller trykk på hastighetsjusteringsknappen, start/stopp-knappen eller strømknappen – TURBO-indikatoren vil slå seg av og vakuemet vil gå ut av TURBO-modus.

MERK: Etter å ha gått ut av TURBO-modus, vil vakuemet gjenoppta tidligere aktiv normal hastighet.

SUGREGULATOR (Fig. I)

Ved støvsuging kan luftstrømmen i enden av vakuumslangen styres ved å vri på sugeregulatoren. Vri regulatoren for å avdekke luftutløpet for å redusere suget, eller vri regulatoren for å dekke luftutløpet for å øke suget.

Denne funksjonen er spesielt nyttig når vakuumslangen er forseglet av tepper, kluter osv. under suging, vri regulatoren for å avdekke luftutløpet, suget vil bli redusert.

I-1	Sugeregulator	I-2	Luftuttak
-----	---------------	-----	-----------

FJERNKONTROLL

- Fjernkontrollen kan plasseres på vakuumslangen under støvsuging (fig. J1).
- Når støvsugeren er slått på, kan du starte/stoppe støvsugeren, eller sette maskinen i TURBO-modus ved å bruke fjernkontrollen.

MERK: Fjernkontrollen kan ikke bytte mellom vanlig lav eller høy hastighet.

- Fjernkontrollen kan også brukes som lommelykt for mørke områder, spesielt ved bruk av sprekkmunnstykket.

Sammenkobling av fjernkontroll (fig. J2)

Fjernkontrollen ble paret med vakuemet på fabrikk. I tilfeller der fjernkontrollen er skadet eller mistet, følg trinnene nedenfor for å pare den nye fjernkontrollen med støvsugeren.

1. Installer batteripakken.
2. Trykk på strømknappen for å slå på vakuemet.
3. Trykk lenge på start/stopp-knappen på støvsugeren til strømknappens indikator blinker sakte grønt.
4. Trykk på TURBO-knappen eller start/stopp-knappen på fjernkontrollen så snart strømknappindikatoren begynner å blinke grønt og sakte ned.
5. Strømknappindikatoren vil blinke raskt grønt og deretter lyse konstant grønt for å indikere at sammenkoblingen var vellykket.

Fjernkontrollindikator

Fjernkontrollindikator	Betydning	Handling
Blinker raskt grønt	Batteriladingen i fjernkontrollen er nesten utladet.	Lad fjernkontrollen.
Blinker sakte grønt	Fjernkontrollen lader	Ingen handling nødvendig.
Solid grønn	Ladingen av fjernkontrollen er fullført.	Koble fjernkontrollen og ladekabelen fra strømforsyningen.

MERK: Under normal drift vil fjernkontrollindikatoren lyse én gang og slå seg deretter av når TURBO-knappen eller start/stopp-knappen trykkes én gang.

Lading av fjernkontrollen (fig. J3)

Med jevne mellomrom må batteriet inne i fjernkontrollen lades opp.

⚠ ADVARSEL: For dette oppladbare Li-ion-batteriet inne i fjernkontrollen, vær oppmerksom på nedenfor:

- Fare for brann og brannskader.
- Må ikke åpnes, knuses, varmes opp over 60°C eller brennes.

- Ikke kortslutt.
 - Hvis det buler kraftig opp, avbryt bruken.
1. Åpne USB-C-portdekslet.
 2. Koble USB-C-enden av den medfølgende ladekabelen til USB-C-porten på fjernkontrollen.
 3. Koble den andre enden av ladekabelen til en kompatibel USB-strømadapter/lader (ikke inkludert). Det kan ta opptil 2 timer å lade et helt utladet batteri.
 4. Når du er ferdig med å lade, koble fra ladekabelen og lukk USB-C-portdekslet for å beskytte USB-C-porten mot forurensning.

J3-1	USB-C-portdeksel	J3-2	USB-C-port
J3-3	Ladekabel		

JOBBE MED STØVSUGEREN

Våtstøvsuging

- Ikke bruk støvposen under våtsuging.
- Slå av støvsugeren umiddelbart når støvtanken er full. Tøm støvbeholderen i en egnet beholder eller avløp.
- Rengjør innsiden av støvtanken, filteret og tilbehøret med jevne mellomrom, oftere når det brukes til å plukke opp våte, klebrige materialer.

Tørrestøvsuging

- Sørg for at filteret er helt tørt etter våtsøvsuging, eller bruk et andre tørt filter for tørrestøvsuging. Fuktige eller våte filtre vil bli tilstoppet av støv eller mugne.
- Bruk støvpose for å redusere eksponeringen for silikastøv.
- Slå av støvsugeren umiddelbart når støvposen eller støvtanken er full.
- Tøm støvbeholderen i en egnet beholder eller avløp.

Viftedrift

⚠ ADVARSEL: Bruk alltid øyevern når du bruker denne maskinen som blåser.

⚠ ADVARSEL: Ikke blås brennbare eller brennbare materialer, som bensin, eller bruk i områder der slike materialer kan være tilstede. Det kan oppstå brann.

⚠ ADVARSEL: Ikke rett luftstrømmen i retning av mennesker eller kjæledyr.

VEDLIKEHOLD

⚠ ADVARSEL: For å forhindre alvorlig personskade, fjern batteripakken fra produktet før du utfører service, rengjøring, skifter tilbehør eller fjerner materiale fra enheten.

GENERELT VEDLIKEHOLD

Unngå bruk av løsemidler når plastdeler skal rengjøres. De fleste plasttyper kan ta skade av ulike typer løsemidler som er i salg, og kan dermed bli ødelagt. Bruk en ren klut for å fjerne skitt, støv, olje, fett, osv.

⚠ ADVARSEL: La ikke på noe tidspunkt bremsevæsker, bensin, petroleumsbaserte produkter, penetrerende oljer osv. komme i kontakt med plastdeler. Kjemikalier kan skade, svekke eller ødelegge plast som kan føre til alvorlig personskade.

⚠ ADVARSEL: Tfor å redusere risikoen for brann, personskade og produktskade på grunn av kortslutning, må du aldri senke maskinen, batteripakken eller laderen i væske eller la væske strømme inn i dem. Etsende eller ledende væsker, som sjøvann, visse industrielle kjemikalier, og blekemiddel eller blekemiddelholdige produkter osv., kan forårsake kortslutning.

TØMMING AV STØVTANKEN

1. Fjern dreneringslokket for å tømme væske i støvtanken i en egnet beholder eller avløp, hvis tilgjengelig.
2. Fjern strømhodeenheten fra støvtanken.
3. Fjern støvposen hvis støvposen er installert.
4. Fjern alt smuss eller rusk fra støvtanken og rengjør med mild såpe og vann.
5. La støvtanken tørke før du setter sammen strømhodeenheten igjen.

FILTERVEDLIKEHOLD

Filter selvrensende system

1. Koble vakuumslangen til sugeinntaksporten på vakuumpet og installer den andre enden av slangen på filterets selvrensende plugg (fig. K1).
2. Sett inn batteripakken, trykk på strømknappen for å slå på maskinen.
3. Velg ønsket hastighetsmodus og trykk på start/stoppknappen for å slå på maskinen.
4. Trykk på knappen for selvrensing av filteret for å rengjøre filteret (fig. K2).

NO

TIPS: For å oppnå best mulig rengjøringsseffekt anbefales det å velge TURBO-modus og trykke på selvrensende filterknappen fem ganger og holde den inne i 3 sekunder hver gang.

K1-1	Sugeinntaksport	K1-2	Vakuumslange
K1-3	Filter selvrensende plugg	K2-1	Filter selvrensende knapp

Vasking av filteret

Ta ut batteripakken og undersøk filteret ved å løfte strømhodeenheten. Hvis filteret fortsatt er skittent etter å ha fulgt trinnene i avsnittet “**Selvrensende filtersystem**”, fjern filteret og skyll det i kaldt vann. La filteret tørke helt og sett det inn igjen.

NO

Bytte ut filteret (fig. L1 og fig. L2)

⚠ ADVARSEL: Kontroller filteret med jevne mellomrom og skift det ut hvis det er utslitt eller skadet. Bruk av skadet filter kan føre til utslipp av uønskede luftbårne forurensninger fra beholderen.

1. Løft strømhodeenheten og legg den til siden (fig. L1).
2. Brett ut håndtaket på filterbraketten og trekk braketten med filteret ut (fig. L2).
3. Bruk et stykke fuktig klut for å fjerne støv og rusk fra filterområdet.
4. Installer et nytt eller rengjort filter i braketten.
5. Plasser braketten i filterområdet og brett håndtaket.

L1-1	Håndtak	L1-2	Filterbrakett
------	---------	------	---------------

OPPBEVARING AV VAKUUMET

1. Fjern batteripakken fra støvsugeren.
2. Rengjør støvsugeren grundig før oppbevaring.
3. Oppbevar støvsugeren på et tørt, godt ventilert sted, innelåst eller høyt oppe, utilgjengelig for barn. Ikke oppbevar støvsugeren på eller ved siden av gjødsel, bensin eller andre kjemikalier.

BESKYTTER MILJØET



Elektrisk utstyr, brukte batterier og batteriladere må ikke kastes i husholdningsavfallet! Ta med dette produktet til autorisert gjenvinning, og gjør det tilgjengelig for separat innsamling. Elektriske verktøy må returneres til et miljøvennlig gjenvinningsanlegg.

TROUBLESHOOTING

PROBLEM	ÅRSAK	LØSNING
Vakuomet starter ikke.	<ul style="list-style-type: none"> ■ Batteripakken er lav. ■ Batteripakken er ikke riktig installert. 	<ul style="list-style-type: none"> ■ Lad batteripakken. ■ Skyv batteripakken på støvsugeren til den klikker på plass.
Vakuumkraften er svak	<ul style="list-style-type: none"> ■ Det er en blokkering i vakuumslangen eller sugeinntaket. ■ Filteret er tilstoppet av fint støv. ■ Støvtanken er full. ■ Batteripakken er lav. ■ Dreneringsportlokket fjernes fra støvtanken. 	<ul style="list-style-type: none"> ■ Kontroller og fjern blokkeringen i vakuumslangen eller sugeinntaket. ■ Rengjør filteret ved å følge avsnittet "VEDLIKEHOLD AV FILTER" i denne håndboken. ■ Tøm støvtanken. ■ Lad batteripakken ■ Installer avløpsportlokket på støvtanken.
Maskinen går, men det er ikke noe sug.	<ul style="list-style-type: none"> ■ Krafthodeenheten er ikke installert helt på støvtanken. 	<ul style="list-style-type: none"> ■ Sørg for at strømhodeenheten er installert helt på støvtanken.
Støv slipper ut fra blåseutløpsporten.	<ul style="list-style-type: none"> ■ Filter mangler eller er feil installert. ■ Filteret er skadet. 	<ul style="list-style-type: none"> ■ Kontroller filteret for riktig installasjon. ■ Bytt ut med et nytt filter.
Vakuomet kan ikke kontrolleres med fjernkontrollen.	<ul style="list-style-type: none"> ■ Fjernkontrollen er ikke sammenkoblet med vakuomet. ■ Fjernkontrollens lading er lav. ■ Fjernkontrollen er skadet. 	<ul style="list-style-type: none"> ■ Par fjernkontrollen med vakuomet i henhold til kapittelet "Parring av fjernkontroll" i denne håndboken. ■ Lad fjernkontrollen. ■ Bruk en ny fjernkontroll og utfør fjernkontrollparingen.

NO

GARANTI

EGO GARANTIPOLITIK

Besøk nettstedet egopowerplus.eu for fullstendige vilkår og betingelser for EGOs garantipolicy.

ПРОЧИТАЙТЕ ВСЕ ИНСТРУКЦИИ!



ПРОЧИТАЙТЕ РУКОВОДСТВО
ПОЛЬЗОВАТЕЛЯ

⚠ ПРЕДУПРЕЖДЕНИЕ. Для обеспечения безопасности и надежности устройства его ремонт должен выполнять квалифицированный специалист.

СИМВОЛЫ БЕЗОПАСНОСТИ

Символы безопасности предназначены для привлечения внимания к возможным рискам. Символы безопасности, а также пояснения к ним, требуют особого внимания и понимания. Предупреждения по технике безопасности сами по себе не устраняют опасность. Инструкции и предупреждения не заменяют соответствующие меры по предотвращению несчастных случаев.

⚠ ПРЕДУПРЕЖДЕНИЕ. Перед использованием устройства внимательно прочитайте все инструкции в данном руководстве пользователя и ознакомьтесь с предупреждающими символами безопасности, такими как **ОПАСНОСТЬ**, **ПРЕДУПРЕЖДЕНИЕ** и **ВНИМАНИЕ**. Несоблюдение всех приведенных ниже инструкций может привести к поражению электрическим током, возникновению пожара и (или) получению серьезных травм.

RU

УСЛОВНЫЕ ОБОЗНАЧЕНИЯ

⚠ ПРЕДУПРЕЖДАЮЩИЙ СИМВОЛ. Означает **ОПАСНОСТЬ**, **ПРЕДУПРЕЖДЕНИЕ** и **ВНИМАНИЕ** или может использоваться с другими символами или изображениями.

ИНСТРУКЦИЯ ПО ТЕХНИКЕ БЕЗОПАСНОСТИ

Далее приведено изображение и описание символов безопасности, которые могут присутствовать на данном устройстве. Перед сборкой или использованием внимательно прочитайте все инструкции, приведенные на устройстве, и соблюдайте их.



Предупреждение об опасности



Прочитайте руководство по эксплуатации, чтобы уменьшить риск получения травм.



Неисправные электрические устройства нельзя выбрасывать вместе с бытовым мусором. Сдавайте их в авторизованные пункты сбора и утилизации.



Постоянный ток



Соответствует основным требованиям стандартов безопасности Европейских директив.



Соответствие требованиям Великобритании

РХ4 Защита от брызг воды

л Литр

кг Килограмм

В Вольт

°C Градус Цельсия

л/мин Литров в минуту

Па Паскаль

⚠ ПРЕДУПРЕЖДЕНИЕ. Внимательно прочитайте все инструкции. Несоблюдение всех приведенных ниже инструкций может привести к поражению электрическим током, возникновению пожара и (или) получению серьезных травм.

Данное устройство не предназначено для использования лицами (в том числе детьми) с ограниченными физическими, сенсорными или умственными возможностями либо недостатком опыта и знаний, кроме случаев, когда они находятся под присмотром либо проинструктированы относительно использования устройства лицом, ответственным за их безопасность.

- Следите за тем, чтобы дети не играли с этим устройством.
- Не подвергайте устройство и аккумулятор воздействию слишком высоких температур.
- Помните об опасности короткого замыкания клемм устройства или аккумулятора металлическими предметами.
- Перед зарядкой аккумуляторные батареи необходимо извлечь из устройства.
- Не используйте одновременно старые и новые батареи, а также батареи разных типов.
- Использованные батареи необходимо извлекать из устройства и утилизировать безопасным способом.
- Извлеките батареи, если устройство не будет использоваться в течение длительного времени.
- Не используйте перезаряжаемые батареи вместо перезаряжаемых.
- Не используйте модифицированные или поврежденные батареи.
- **Используйте только указанные аккумуляторы и зарядные устройства.**

Сохраните настоящую инструкцию. Регулярно просматривайте ее и предоставляйте для ознакомления другим пользователям. Одалживая кому-либо устройство, передайте также данную инструкцию для предотвращения неправильного использования и возможных травм.

ТЕХНИЧЕСКИЕ ХАРАКТЕРИСТИКИ

Напряжение	56 В		
Емкость пылесборника	34 л		
Скорость	Низкая	Высокая	TUR-BO
Макс. расход воздуха (л/мин)	1900	2500	3100
Макс. мощность всасывания (Па)	10000	15900	24800

Пульт дистанционного управления	Температура зарядки	0°C - 45°C
	Макс. напряжение зарядки	5 В
	Макс. зарядный ток	1 А
Масса (без аккумулятора)		12,1 кг
Рекомендуемая рабочая температура		От -5 до 40 °C
Рекомендуемая температура хранения		От -20 до 70 °C

КОМПЛЕКТ ПОСТАВКИ (РИС. А1 И А2)

РЕКОМЕНДУЕМЫЕ ПРИНАДЛЕЖНОСТИ

⚠ ПРЕДУПРЕЖДЕНИЕ. Используйте только аксессуары, перечисленные ниже. Использование аксессуаров с другими характеристиками может привести к снижению эффективности работы и безопасности устройства.

НАЗВАНИЕ	НОМЕР МОДЕЛИ
Мешки для пыли (5 шт.)	AVG0905
Сменный фильтр	AVF0900

ОПИСАНИЕ

ЧАСТИ ПЫЛЕСОСА ДЛЯ ВЛАЖНОЙ И СУХОЙ УБОРКИ (Рис. А1 и А2)

1. Приводной блок
2. Рукоятка
3. Отсек для хранения принадлежностей
4. Защелка пылесборника (2 шт.)
5. Заднее колесо (2 шт.)
6. Пылесборник
7. Колесо с тормозом (2 шт.)
8. Крышка дренажного отверстия
9. Щелевая насадка
10. Всасывающее отверстие
11. Панель управления

12. Крепления для шлангов
13. Выходное отверстие
14. Место временного хранения принадлежностей
15. Большая насадка для пола + накладка-щетка
16. Удлинительные трубки
17. Кнопка фиксации аккумулятора
18. Кнопка самоочистки фильтра
19. Заглушка отверстия для самоочистки фильтра
20. Шланг пылесоса
21. Кнопка фиксации шланга
22. Регулятор всасывания
23. Крепление для дистанционного управления
24. Резиновая накладка
25. Мешок для пыли
26. Зарядный кабель для пульта дистанционного управления
27. Пульт дистанционного управления
28. Насадка с круглой щеткой
29. Компактная насадка для пола
30. Адаптер для электроинструментов
31. Кнопка питания
32. Кнопка запуска/остановки
33. Кнопка регулировки скорости
34. Индикатор скорости
35. Кнопка TURBO
36. Индикатор TURBO
37. Фильтр
38. Кронштейн фильтра
39. Датчик жидкости (4 шт.)
40. Кронштейн мешка для пыли
41. Дренажное отверстие

RU

СБОРКА

ПОДСОЕДИНЕНИЕ И ОТСОЕДИНЕНИЕ ШЛАНГА ПЫЛЕСОСА

Для подсоединения вставьте конец шланга во всасывающее отверстие или выходное отверстие до "щелчка" (Рис. В1).

Для отсоединения нажмите и удерживайте кнопки фиксации шланга, затем извлеките шланг (Рис. В2).

В1-1	Шланг пылесоса	В1-2	Всасывающее отверстие
В1-3	Выходное отверстие	В2-1	Кнопки фиксации шланга

ПОДСОЕДИНЕНИЕ И ОТСОЕДИНЕНИЕ УДЛИНИТЕЛЬНЫХ ТРУБОК (РИС. С)

При необходимости подсоедините к шлангу пылесоса одну или две удлинительные трубки.

Для подсоединения вставьте узкий конец удлинительной трубки в шланг пылесоса до упора, чтобы трубка зафиксировалась на месте.

Для отсоединения вытяните удлинительную трубку из шланга пылесоса.

Вторая удлинительная трубка подсоединяется и отсоединяется от первой таким же образом.

С-1	Шланг пылесоса	С-2	Узкий конец
С-3	Широкий конец	С-4	Удлинительные трубки

УСТАНОВКА И СНЯТИЕ НАСАДОК

В зависимости от выполняемой работы выберите подходящую насадку для установки непосредственно на шланг пылесоса или на удлинительную трубку (Рис. D1).

- Чтобы подсоединить насадку к удлинительной трубке, вставьте насадку в удлинительную трубку до упора, чтобы она зафиксировалась на месте. Чтобы отсоединить насадку, вытяните ее из удлинительной трубки.
- Чтобы подсоединить насадку непосредственно к шлангу пылесоса, совместите выступ на насадке с канавкой в шланге, затем вставьте насадку в шланг до "щелчка". Для отсоединения нажмите и удерживайте кнопку фиксатора, чтобы снять насадку.

D1-1	Кнопка фиксации	D1-2	Паз
D1-3	Удлинительные трубки (опция)	D1-4	Регулятор
D1-5	Насадка		

Щелевая насадка (Рис. D2)

Темные участки легко очищаются с помощью щелевой насадки в сочетании со встроенной подсветкой пульта дистанционного управления.

Подсоедините щелевую насадку к шлангу пылесоса и закрепите пульт дистанционного управления с помощью крепления на шланге. Нажмите кнопку подсветки на пульте дистанционного управления. Прозрачная щелевая насадка будет светиться.

D2-1	Щелевая насадка	D2-2	Кнопка подсветки
D2-3	Пульт дистанционного управления		

Адаптер для электроинструментов (Рис. D3)

Адаптер для электроинструментов позволяет подключать пылесос к электроинструменту с отверстием для отвода пыли 32 мм.

Подключите шланг пылесоса к всасывающему отверстию и вставьте адаптер для электроинструмента в пылесос до упора, а затем подключите адаптер к пылеотводу электроинструмента.

⚠ ПРЕДУПРЕЖДЕНИЕ. Адаптер электроинструмента нельзя подсоединить к удлинительной трубке. Принудительная установка может привести к повреждению адаптера электроинструмента или удлинительной трубки.

D3-1	Электроинструмент (не входит в комплект)	D3-2	Адаптер для электроинструментов
D3-3	Шланг пылесоса	D3-4	Всасывающее отверстие

Большая насадка для пола + накладка-щетка/резиновая накладка (Рис. D4)

Большая насадка для пола может сочетаться с накладкой-щеткой или резиновой накладкой.

Слегка приоткройте оба конца накладки и опустите их вниз, чтобы снять накладку с насадки.

Чтобы установить накладку, вставьте ее концы в отверстия насадки до "щелчка".

D4-1	Большая насадка для пола	D4-2	Отверстия насадки
D4-3	Резиновая накладка	D4-4	Концы накладки

УСТАНОВКА И СНЯТИЕ ПРИВОДНОГО БЛОКА

Для установки нажмите на нижние части защелок пылесборника, опустите приводной блок на пылесборник, а затем нажмите на верхние части защелок пылесборника (Рис. E1 и E2).

Для снятия надавите на нижние части пылесборника,

а затем поднимите приводной блок (Рис. E3).

УСТАНОВКА И СНЯТИЕ МЕШКА ДЛЯ ПЫЛИ

1. Разблокируйте пылесборник и поднимите приводной блок.
2. **Для установки** вставьте пластину мешка для пыли в паз кронштейна таким образом, чтобы пластина опустилась на ребра. Перед сбором пыли или мусора разверните мешок для пыли вручную (Рис. F1).

Для снятия слегка приподнимите пластину над ребрами, а затем извлеките ее из гнезда, чтобы снять мешок (Рис. F2).

F1-1	Кронштейн мешка для пыли	F1-2	Прорезь
F1-3	Мешок для пыли	F1-4	Пластина
F2-1	Ребра		

RU

ИСПОЛЬЗОВАНИЕ

ПРИМЕНЕНИЕ

Данное устройство можно использовать в следующих целях.

- Всасывание жидких отходов или сухой пыли при использовании всасывающего отверстия.
- В качестве воздуходувки при использовании выходного отверстия.

УСТАНОВКА И ИЗВЛЕЧЕНИЕ АККУМУЛЯТОРА

Используйте только аккумуляторы и зарядные устройства EGO, указанные на Рис. A3.

Подробнее см. в соответствующих руководствах по эксплуатации аккумулятора и зарядного устройства.

Перед первым использованием полностью зарядите аккумулятор.

Установка

Совместите ребра аккумулятора с монтажными пазами и вставьте аккумулятор до щелчка (Рис. G1).

Извлечение

Нажмите кнопку фиксации аккумулятора и извлеките его (Рис. G2).

G1-1	Монтажный паз	G1-2	Выступ
G2-1	Кнопка фиксации аккумулятора		

ВКЛЮЧЕНИЕ И ВЫКЛЮЧЕНИЕ ПЫЛЕСОСА ДЛЯ ВЛАЖНОЙ И СУХОЙ УБОРКИ (РИС. Н)

Включение пылесоса

1. Убедитесь, что приводной блок установлен на пылесборник, а пылесборник надежно зафиксирован. Убедитесь, что шланг пылесоса, необходимые удлинительные трубки и насадка подсоединены правильно.

ПРИМЕЧАНИЕ. Пылесос работает только в том случае, если приводной блок надежно закреплен на пылесборнике.

2. Установите аккумулятор.
3. Нажмите кнопку питания, чтобы включить пылесос.
4. Нажмите кнопку регулировки скорости, чтобы выбрать низкую или высокую скорость, а затем нажмите кнопку запуска/остановки, чтобы запустить пылесос. Или нажмите кнопку TURBO, чтобы запустить пылесос на максимальной скорости.

ПРИМЕЧАНИЕ. Скорость можно также регулировать во время уборки. Более подробную информацию см. в главе "ВЫБОР СКОРОСТИ".

Выключение пылесоса

1. По окончании уборки или при заполнении пылесборника нажмите кнопку запуска/остановки, чтобы временно остановить пылесос.
2. Или нажмите кнопку питания, чтобы полностью выключить пылесос.
3. Извлеките аккумулятор.
4. Опорожните пылесборник в подходящую емкость или дренаж.

ПРИМЕЧАНИЕ. При перезапуске пылесос будет использовать ранее установленную скорость.

Индикатор кнопки питания

Индикатор кнопки питания	Значение	Действие
Светится зеленым	Режим ожидания	Никаких действий не требуется. Пылесос автоматически выключится через 1 час бездействия.
	Устройство работает нормально	Нормальная работа.
Мигает зеленым 6 раз, затем выключается	Уровень жидкости в резервуаре достиг нижнего контакта датчика	Остановите пылесос, извлеките аккумулятор, затем опорожните резервуар в соответствии с инструкцией.
Постоянно мигает зеленым	Ошибка электроники	Обратитесь в службу поддержки клиентов EGO.

ВЫБОР СКОРОСТИ

Режим обычной скорости

- При каждом нажатии кнопки регулировки скорости происходит переключение между низкой и высокой скоростью. Индикатор скорости отображает текущий уровень скорости с помощью зеленых светодиодов.
- Пылесос сохраняет последнюю использованную настройку скорости и активирует ее при перезапуске.

Режим TURBO

- Нажмите кнопку TURBO. Индикатор TURBO начнет светиться зеленым, и пылесос будет работать с максимальной скоростью.
- Если в режиме TURBO снова нажать кнопку TURBO, кнопку регулировки скорости, кнопку запуска/остановки или кнопку питания, индикатор TURBO погаснет и пылесос выйдет из режима TURBO.

ПРИМЕЧАНИЕ. После выхода из режима TURBO пылесос будет работать с прежней обычной скоростью.

РЕГУЛЯТОР ВСАСЫВАНИЯ (Рис. I)

При уборке пылесосом поток воздуха на конце шланга можно регулировать поворотом регулятора всасывания. С помощью регулятора откройте выходное отверстие для уменьшения всасывания или закройте для увеличения всасывания.

Эта функция особенно полезна, когда шланг пылесоса закрыт коврами, тканями и т. д. Во время всасывания поверните регулятор, чтобы открыть выходное отверстие, всасывание уменьшится.

I-1	Регулятор всасывания	I-2	Отверстие для выхода воздуха
-----	----------------------	-----	------------------------------

ПУЛЬТ ДИСТАНЦИОННОГО УПРАВЛЕНИЯ

- Во время уборки пульт дистанционного управления может быть расположен на шланге пылесоса (Рис. J1).
- Когда пылесос включен, можно с помощью пульта дистанционного управления запустить или остановить его либо перевести в режим TURBO.

ПРИМЕЧАНИЕ. С помощью пульта дистанционного управления невозможно переключаться между обычной низкой или высокой скоростью.

- Пульт дистанционного управления также позволяет освещать темные места, особенно при использовании щелевой насадки.

Сопряжение пульта дистанционного управления (Рис. J2)

Пульт дистанционного управления был сопряжен с пылесосом на заводе. Однако в случае повреждения или утери пульта дистанционного управления выполните следующие действия для сопряжения нового пульта с пылесосом.

1. Установите аккумулятор.
2. Нажмите кнопку питания, чтобы включить пылесос.
3. Нажмите и удерживайте кнопку запуска/остановки пылесоса, пока индикатор кнопки питания не начнет медленно мигать зеленым.
4. Нажмите кнопку TURBO или кнопку запуска/остановки на пульте дистанционного управления, как только индикатор кнопки питания начнет медленно мигать зеленым.
5. Индикатор кнопки питания начнет быстро мигать зеленым, а затем будет постоянно светиться зеленым, указывая на успешное сопряжение.

Индикатор дистанционного управления

Индикатор дистанционного управления	Значение	Действие
Быстро мигает зеленым	Аккумулятор пульта дистанционного управления почти разряжен.	Зарядите пульт дистанционного управления.
Медленно мигает зеленым	Пульт дистанционного управления заряжается.	Никаких действий не требуется.
Светится зеленым	Зарядка пульта дистанционного управления завершена.	Отключите пульт дистанционного управления и зарядный кабель от источника питания.

RU

ПРИМЕЧАНИЕ. При нормальной работе индикатор пульта дистанционного управления включается один раз и гаснет при однократном нажатии кнопки TURBO или кнопки запуска/остановки.

Зарядка пульта дистанционного управления (Рис. J3)

Необходимо периодически заряжать аккумулятор, установленный внутри пульта дистанционного управления.

⚠ ПРЕДУПРЕЖДЕНИЕ. При эксплуатации пульта дистанционного управления с литий-ионным аккумулятором соблюдайте следующие правила.

- Помните о риске возгорания и ожогов.
- Не вскрывайте, не раздавливайте, не нагревайте выше 60°C и не сжигайте.
- Не допускайте короткого замыкания.
- При сильном вздутии прекратите использование.
 1. Откройте крышку порта USB-C.
 2. Подключите разъем USB-C прилагаемого зарядного кабеля к порту USB-C на пульте дистанционного управления.

3. Подключите другой разъем зарядного кабеля к совместимому адаптеру питания или зарядному устройству USB (не входит в комплект). Для зарядки полностью разряженного аккумулятора может потребоваться до 2 часов.
4. По окончании зарядки отсоедините зарядный кабель и закройте крышку порта USB-C, чтобы защитить порт USB-C от загрязнения.

J3-1	Крышка порта USB-C	J3-2	Порт USB-C
J3-3	Зарядный кабель		

РАБОТА С ПЫЛЕСОСОМ

Влажная уборка

- Не используйте мешок для пыли во время влажной уборки.
- Немедленно выключите пылесос, когда пылесборник заполнится. Опорожните пылесборник в подходящую емкость или дренаж.
- Периодически очищайте внутреннюю часть пылесборника, фильтр и принадлежности, особенно при уборке влажных и липких материалов.

Сухая уборка

- Убедитесь, что фильтр полностью высох после влажной уборки, или используйте второй сухой фильтр для сухой уборки. Влажные и мокрые фильтры забиваются пылью и покрываются плесенью.
- Чтобы уменьшить воздействие кремниевой пыли, используйте мешок для пыли.
- Немедленно выключайте пылесос, если мешок для пыли или пылесборник заполнены.
- Опорожните пылесборник в подходящую емкость или дренаж.

Воздуходувка

⚠ ПРЕДУПРЕЖДЕНИЕ. При использовании устройства в качестве воздуходувки всегда надевайте защиту для глаз.

⚠ ПРЕДУПРЕЖДЕНИЕ. Не сдувайте легковоспламеняющиеся или горючие материалы, такие как бензин, и не используйте устройство в местах, где могут находиться такие материалы. Может возникнуть пожар.

⚠ ПРЕДУПРЕЖДЕНИЕ. Не направляйте поток воздуха в сторону людей и животных.

ОБСЛУЖИВАНИЕ

ПРЕДУПРЕЖДЕНИЕ. Чтобы предотвратить получение серьезных травм, извлекайте аккумулятор перед выполнением сервисного обслуживания, очистки, замены принадлежностей или удаления материала из устройства.

ОБЩЕЕ ОБСЛУЖИВАНИЕ

Не используйте растворители для очистки пластиковых частей. Большинство пластиковых частей чувствительны к различным бытовым растворителям и могут быть повреждены. Для очистки от грязи, пыли, масла, смазки и т. п. используйте чистую ткань.

⚠ ПРЕДУПРЕЖДЕНИЕ. Не допускайте попадания на пластиковые части тормозной жидкости, бензина, продуктов на нефтяной основе, пропитывающих масел и т. д. Химические вещества могут повредить, ослабить или разрушить пластик, что приведет к получению серьезных травм.

⚠ ПРЕДУПРЕЖДЕНИЕ. Для снижения риска пожара, получения травм и повреждения устройства от короткого замыкания никогда не погружайте инструмент, аккумулятор и зарядное устройство в жидкость и не допускайте попадания жидкости внутрь. Коррозионные и токопроводящие жидкости, такие как морская вода, некоторые промышленные химикаты, а также отбеливатели и содержащие их продукты могут стать причиной короткого замыкания.

ОПОРОЖНЕНИЕ ПЫЛЕСБОРНИКА

1. Снимите крышку дренажного отверстия, чтобы слить жидкость из пылесборника в подходящую емкость или дренаж.
2. Снимите приводной блок с пылесборника.
3. Снимите мешок для пыли, если он установлен.
4. Удалите всю грязь и мусор из пылесборника и очистите его с помощью мягкого мыла и воды.
5. Дайте пылесборнику высохнуть, затем установите приводной блок.

ОБСЛУЖИВАНИЕ ФИЛЬТРА

Система самоочистки фильтра

1. Подсоедините один разъем шланга пылесоса к всасывающему отверстию, а другой установите на заглушку отверстия для самоочистки фильтра (Рис. К1).
2. Установите аккумулятор и нажмите кнопку питания, чтобы включить устройство.

3. Выберите нужный режим скорости и нажмите кнопку запуска/остановки, чтобы запустить устройство.
4. Нажмите кнопку самоочистки фильтра, чтобы очистить его (Рис. K2).
3. Храните пылесос в сухом, хорошо проветриваемом, закрытом или высоком месте, недоступном для детей. Не храните пылесос рядом с удобрениями, бензином или другими химическими веществами.

СОВЕТЫ. Для достижения наилучшего эффекта очистки рекомендуется выбрать режим TURBO и пять раз нажать на кнопку самоочистки фильтра, удерживая ее в течение 3 секунд каждый раз.

K1-1	Всасывающее отверстие	K1-2	Шланг пылесоса
K1-3	Заглушка отверстия для самоочистки фильтра	K2-1	Кнопка самоочистки фильтра

Промывка фильтра

Извлеките аккумулятор, поднимите приводной блок и осмотрите фильтр. Если фильтр все еще грязный после выполнения действий, описанных в разделе Система самоочистки фильтра, снимите фильтр и промойте его в холодной воде. Дайте фильтру полностью высохнуть и установите его на место.

Замена фильтра (Рис. L1 и L2)

⚠ ПРЕДУПРЕЖДЕНИЕ. Периодически проверяйте фильтр и заменяйте его в случае износа или повреждения. Использование поврежденного фильтра может привести к выбросу нежелательных загрязняющих веществ.

1. Поднимите приводной блок и отложите его в сторону (Рис. L1).
2. Откройте рукоятку кронштейна фильтра и извлеките кронштейн с фильтром (Рис. L2).
3. Удалите пыль и мусор из области фильтра с помощью влажной ткани.
4. Установите новый или очищенный фильтр в кронштейн.
5. Установите кронштейн с фильтром на место и сложите рукоятку.

L1-1	Рукоятка	L1-2	Кронштейн фильтра
------	----------	------	-------------------

ХРАНИЕНИЕ ПЫЛЕСОСА

1. Извлеките аккумулятор из пылесоса.
2. Тщательно очистите пылесос перед хранением.

ОХРАНА ОКРУЖАЮЩЕЙ СРЕДЫ



Не выбрасывайте электроприборы, зарядные устройства и аккумуляторные батареи вместе с бытовыми отходами! Отправьте данное изделие на переработку в специализированное предприятие или сдайте его для раздельного сбора. Электронные инструменты должны быть возвращены на перерабатывающее предприятие, не наносящее ущерба окружающей среде.

RU

УСТРАНЕНИЕ НЕПОЛАДК

ПРОБЛЕМА	ПРИЧИНА	РЕШЕНИЕ
Пылесос не запускается.	<ul style="list-style-type: none"> ■ Низкий уровень заряда аккумулятора. ■ Аккумулятор установлен неправильно. 	<ul style="list-style-type: none"> ■ Зарядите аккумулятор. ■ Вставьте аккумулятор в пылесос до щелчка.
Низкая мощность всасывания.	<ul style="list-style-type: none"> ■ Шланг пылесоса или всасывающее отверстие засорились. ■ Фильтр забит мелкой пылью. ■ Пылесборник заполнен. ■ Низкий уровень заряда аккумулятора. ■ Крышка дренажного отверстия снята с пылесборника. 	<ul style="list-style-type: none"> ■ Проверьте и устраните засор в шланге пылесоса или всасывающем отверстии. ■ Очистите фильтр в соответствии с разделом «ОБСЛУЖИВАНИЕ ФИЛЬТРА» данного руководства. ■ Опорожните пылесборник. ■ Зарядите аккумулятор. ■ Установите крышку дренажного отверстия на пылесборник.
Устройство работает, но всасывание отсутствует.	<ul style="list-style-type: none"> ■ Приводной блок не полностью установлен на пылесборник. 	<ul style="list-style-type: none"> ■ Убедитесь, что приводной блок полностью установлен на пылесборник.
Пыль вылетает из выходного отверстия.	<ul style="list-style-type: none"> ■ Фильтр отсутствует или установлен неправильно. ■ Фильтр поврежден. 	<ul style="list-style-type: none"> ■ Проверьте правильность установки фильтра. ■ Замените фильтр на новый.
Пылесосом нельзя управлять с помощью пульта дистанционного управления.	<ul style="list-style-type: none"> ■ Пульт дистанционного управления не сопряжен с пылесосом. ■ Низкий уровень заряда пульта дистанционного управления. ■ Пульт дистанционного управления поврежден. 	<ul style="list-style-type: none"> ■ Выполните сопряжение пульта дистанционного управления с пылесосом в соответствии с инструкциями в главе «Сопряжение пульта дистанционного управления» данного руководства. ■ Зарядите пульт дистанционного управления. ■ Используйте новый пульт дистанционного управления и выполните сопряжение.

RU

GWARANCJA

POLITYKA GWARANCYJNA EGO

W celu zapoznania się z wszystkimi warunkami polityki gwarancyjnej EGO prosimy wejść na stronę egopowerplus.eu.

PRZECZYTAJ WSZYSTKIE INSTRUKCJE!



PRZECZYTAJ INSTRUKCJĘ OBSŁUGI

⚠ OSTRZEŻENIE: Aby zagwarantować bezpieczeństwo i niezawodność, wszystkie naprawy powinny być wykonywane przez wykwalifikowanych techników serwisu.

SYMBOLE BEZPIECZEŃSTWA

Celem symboli bezpieczeństwa jest zwrócenie uwagi użytkownika na możliwe zagrożenia. Symbole bezpieczeństwa i objaśnienia do nich zasługują na to, aby je uważnie przestudiować i zrozumieć. Symbole bezpieczeństwa nie eliminują same z siebie jakichkolwiek zagrożeń. Podawane w nich instrukcje i ostrzeżenia nie zastępują odpowiednich środków zapobiegania wypadkom.

⚠ OSTRZEŻENIE: APrzed użyciem maszyny należy koniecznie przeczytać ze zrozumieniem wszystkie instrukcje dotyczące bezpieczeństwa podane w podręczniku użytkownika, łącznie z wszystkimi ostrzeżeniami oznaczonymi symbolami ostrzegawczymi takimi jak „**NIEBEZPIECZEŃSTWO**”, „**OSTRZEŻENIE**” i „**OSTROŻNIE**”. Niestosowanie się do wszystkich podanych niżej instrukcji może doprowadzić do porażenia prądem, pożaru i/lub poważnych urazów ciała.

ZNACZENIE SYMBOLI

PL

⚠ SYMBOL OSTRZEGAWCZY: Oznacza **NIEBEZPIECZEŃSTWO**, **OSTRZEŻENIE** lub **UWAGĘ**, może być używany razem z innymi symbolami lub piktogramami.

INSTRUKCJE DOTYCZĄCE BEZPIECZEŃSTWA

Na tej stronie pokazano i opisano symbole bezpieczeństwa, które mogą występować na produkcie. Przed podjęciem próby złożenia i użycia maszyny należy przeczytać i zrozumieć wszystkie instrukcje dotyczące maszyny oraz zastosować się do nich.



Ostrzeżenie dotyczące bezpieczeństwa



Aby ograniczyć ryzyko urazów, użytkownik musi przeczytać instrukcję operatora.



Zużytych wyrobów elektrycznych nie należy wyrzucać razem ze zwykłymi odpadami domowymi. Należy je oddać do autoryzowanego punktu recyklingu.



Prąd stały



Ten produkt jest zgodny z obowiązującymi dyrektywami WE.



Znak zgodności z wymaganiami dotyczącymi produktów sprzedawanych w Wielkiej Brytanii

IPX4 Zabezpieczenie przed zachlapaniem wodą

L Litr

kg Kilogram

V Volt

°C Celsjusz

l/min Litr na minutę

Pa Paskal


⚠ OSTRZEŻENIE: Prosimy przeczytać ze zrozumieniem wszystkie instrukcje. Niestosowanie się do wszystkich podanych niżej instrukcji może doprowadzić do porażenia prądem, pożaru i/lub poważnych obrażeń.

Urządzenie nie powinno być używane przez osoby (w tym dzieci) o ograniczeniach fizycznych, czuciowych lub psychicznych, ani osoby bez odpowiedniego doświadczenia lub wiedzy, chyba że opiekun odpowiedzialny za ich bezpieczeństwo nadzoruje wykonywane przez nie czynności lub poinstruował je wcześniej na temat obsługi urządzenia.

- Aby nie dopuścić do zabawy urządzeniem, dzieci powinny pozostawać pod opieką osób dorosłych.
- Urządzenia ani akumulatora nie należy narażać na działanie skrajnych temperatur.
- Należy pamiętać o ryzyku zwarcia wyprowadzeń urządzenia zasilanego z akumulatora lub zwarcia wyprowadzeń akumulatora wskutek kontaktu z metalowymi przedmiotami.
- Przed ładowaniem akumulatory należy wyjąć z urządzenia.
- Nie należy mieszać ze sobą akumulatorów różnych typów oraz akumulatorów nowych i używanych.
- Zużyte akumulatory należy wyjąć z urządzenia i bezpiecznie zutylizować.
- Jeżeli urządzenie ma być przechowywane nieużywane przez długi czas, należy z niego wyjąć akumulatory.
- Nie należy używać baterii jednorazowych zamiast akumulatorów.
- Nie należy używać baterii uszkodzonych lub poddanych próbkom.
- **Maszyny należy używać wyłącznie ze wskazanymi akumulatorami i ładowarkami.**

Niniejszą instrukcję należy zachować. Zachęcamy do częstego korzystania z niej. Instrukcja może też posłużyć do przeszkolenia innych osób, które będą używały maszyny. Jeśli maszyna zostaje komuś wypożyczona, osobie tej należy również udostępnić niniejszą instrukcję, aby zapobiec niewłaściwemu użytkowaniu i możliwym urazom.

SPECYFIKACJA

Napięcie	56 V 		
Pojemność zbiornika na kurz	34 L		
Tryb prędkości	Mała prędkość	Duża prędkość	TURBO
Maks. przepływ powietrza (l/min)	1900	2500	3100

Maks. moc zasysania (Pa)	10000	15900	24800
Pilot	Temperatura ładowania	0°C - 45°C	
	Maks. napięcie ładowania	5 V	
	Maks. prąd ładowania	1 A	
Ciężar (bez akumulatora)	12,1 kg		
Zalecana temperatura użytkowania	-5°C - 40°C		
Zalecana temperatura przechowywania	-20°C - 70°C		

LISTA ELEMENTÓW W OPAKOWANIU (RYS. A1 I A2)

ZALECANE AKCESORIA

⚠ OSTRZEŻENIE: Należy używać wyłącznie akcesoriów wymienionych poniżej. Stosowanie akcesoriów, które nie spełniają oryginalnej specyfikacji urządzenia może spowodować niewłaściwe działanie i narazić użytkownika na niebezpieczeństwo.

NAZWA CZĘŚCI	NUMER MODELU
Worki na kurz (5 szt.)	AVG0905
Filtr wymienny	AVF0900

OPIS

POZNAJ SWÓJ ODKURZACZ DO SPRZĄTANIA NA MOKRO/SUCHO (RYS. A1 I A2)

1. Zespól głowicy napędowej
2. Rączka
3. Schowek na akcesoria
4. Zatrask zbiornika na kurz (x2)
5. Tylne koło (x2)
6. Zbiornik na kurz
7. Kółko obrotowe z hamulcem (x2)
8. Zatyczka portu spustowego
9. Ssawka szczelinowa
10. Port wlotowy zasysania
11. Panel operatora

12. Uchwyty do przechowywania węża odkurzacza
13. Port wylotowy nadmuchu
14. Tymczasowy schowek na akcesoria
15. Duża ssawka podłogowa + szczotka
16. Rury przedłużające
17. Przycisk odblokowujący akumulator
18. Przycisk samooczyszczania filtra
19. Wtyczka samooczyszczania filtra
20. Wąż odkurzacza
21. Przycisk odblokowujący wąż
22. Regulator siły zasysania
23. Uchwyt na pilota
24. Nakładka gumowa
25. Worek na kurz
26. Kabel do ładowania pilota
27. Pilot
28. Okrągła ssawka ze szczotką do kurzu
29. Kompaktowa ssawka podłogowa
30. Adapter do elektronarzędzi
31. Przycisk zasilania
32. Przycisk start/stop
33. Przycisk prędkości
34. Wskaźnik prędkości
35. Przycisk TURBO
36. Wskaźnik TURBO
37. Filtr
38. Uchwyt na filtr
39. Czujnik cieczy (x4)
40. Uchwyt na worek na kurz
41. Port spustowy

MONTAŻ

PODŁĄCZANIE/ODŁĄCZANIE WĘŻA ODKURZACZA

Aby podłączyć, koniec węża należy wcisnąć do portu wlotowego zasysania lub do portu wylotowego nadmuchu tak, aby dało się słyszeć „kliknięcie” (rys. B1).

Aby odłączyć, należy nacisnąć i przytrzymać przyciski odblokowujące wąż, aby wyjąć wąż (rys. B2).

B1-1	Wąż odkurzacza	B1-2	Port wlotowy zasysania
B1-3	Port wylotowy nadmuchu	B2-1	Przyciski odblokowujące wąż

PODŁĄCZANIE/ODŁĄCZANIE RUR PRZEDŁUŻAJĄCYCH (RYS. C)

Odpowiednio do własnych potrzeb, do węża odkurzacza należy podłączyć jedną lub dwie rury przedłużające.

Aby podłączyć, należy włożyć do oporu wąski koniec rury przedłużającej do węża odkurzacza, tak aby rura przedłużająca została zamocowana na swoim miejscu.

Aby odłączyć, wystarczy wysunąć rurę przedłużającą z węża odkurzacza.

Druga rura przedłużająca jest podłączana/odłączana do/od pierwszej rury w ten sam sposób.

C-1	Wąż odkurzacza	C-2	Wąski koniec
C-3	Szeroki koniec	C-4	Rury przedłużające

ZAKŁADANIE/ZDEJMOWANIE SSAWEK

Zgodnie z własnymi potrzebami, należy wybrać odpowiednią ssawkę do zainstalowania bezpośrednio na wężu odkurzacza lub na rurze przedłużającej (rys. D1)

- Aby podłączyć ssawkę do rury przedłużającej, należy włożyć ssawkę do rury przedłużającej tak daleko, jak to możliwe, aż ssawka zablokuje się na swoim miejscu. Aby ją zdjąć, wystarczy wysunąć ssawkę z rury przedłużającej.
- Aby podłączyć ssawkę bezpośrednio do węża odkurzacza, należy dopasować bolec na ssawce do rowka w wężu odkurzacza i włożyć ssawkę do węża tak, aby rozległo się „kliknięcie”. Aby ją zdjąć, wystarczy nacisnąć i przytrzymać przycisk odblokowujący, co pozwoli wysunąć ssawkę.

D1-1	Przycisk odblokowujący	D1-2	Rowek
D1-3	Rury przedłużające (opcjonalnie)	D1-4	Bolec
D1-5	Ssawka		

Ssawka szczelinowa (rys. D2)

Ciemne miejsca można łatwo posprzątać ssawką szczelinową w połączeniu z latarką zintegrowaną w pilocie.

Ssawkę szczelinową należy podłączyć do węża odkurzacza, a pilota zamocować w uchwycie na pilota na wężu odkurzacza. Nacisnąć przycisk światła na pilocie – zaświeci się przezroczysta ssawka szczelinowa.

D2-1	Ssawka szczelinowa	D2-2	Przycisk światła
D2-3	Pilot		

Adapter do elektronarzędzi (rys. D3)

Adapter do elektronarzędzi umożliwia podłączenie odkurzacza do elektronarzędzia z wylotem pyłu o średnicy 32 mm.

Po podłączeniu węża odkurzacza do portu wlotowego zasysania odkurzacza, należy włożyć adapter do elektronarzędzi do odkurzacza tak daleko, jak to możliwe, aż adapter zostanie pewnie zamocowany na swoim miejscu; następnie należy podłączyć adapter do wylotu pyłu w elektronarzędziu.

⚠ OSTRZEŻENIE: AdAPTERA DO ELEKTRONARZĘDZI NIE DA SIĘ PODŁĄCZYĆ DO RUR PRZEDŁUŻAJĄCYCH. Instalacja na siłę może doprowadzić do uszkodzenia bądź adaptera do elektronarzędzi, bądź rur przedłużających.

D3-1	Elektronarzędzie (nie należy do zestawu)	D3-2	Adapter do elektronarzędzi
D3-3	Wąż odkurzacza	D3-4	Port wlotowy zasysania

PL

Duża ssawka podłogowa + szczotka/gumowa nakładka (rys. D4)

Dużą ssawkę podłogową można połączyć ze szczotką lub gumową nakładką.

Aby zdjąć nakładkę ze ssawki, należy lekko odchylić oba jej końce i docisnąć w dół.

Aby zainstalować nakładkę, należy wcisnąć końce nakładki w otwory w ssawce tak, aby rozległo się „kliknięcie”.

D4-1	Duża ssawka podłogowa	D4-2	Otwory w ssawce
D4-3	Nakładka gumowa	D4-4	Końce nakładki

ZAKŁADANIE/ZDEJMOWANIE ZESPOŁU GŁOWICY NAPĘDOWEJ

Aby zainstalować głowicę, należy nacisnąć dolne części zatrzasków zbiornika na kurz, opuścić zespół głowicy zasilającej na zbiornik na kurz, a następnie nacisnąć górne części zatrzasków zbiornika na kurz (rys. E1 i E2).

Aby zdjąć głowicę, należy nacisnąć dolne części zbiornika na kurz, a następnie podnieść zespół głowicy napędowej (rys. E3).

ZAKŁADANIE/ZDEJMOWANIE WORKA NA KURZ

1. Odblokować zbiornik na kurz i unieść zespół głowicy napędowej.
2. **Aby zainstalować worek na kurz,** wystarczy tylko włożyć płytkę worka w szczelinę uchwytu na worek na kurz, tak aby płytkę zsunęła się z żeberka. Przed

rozpoczęciem zbierania kurzu lub zanieczyszczeń worka na kurz trzeba ręcznie rozłożyć (rys. F1).

Aby wyjąć worek na kurz, należy lekko unieść płytkę nad żeberka, a następnie wysunąć płytkę ze szczeliny (rys. F2).

F1-1	Uchwyt na worek na kurz	F1-2	Szczelina
F1-3	Worek na kurz	F1-4	Płytką
F2-1	Żeberka		

UŻYTKOWANIE

ZASTOSOWANIE

Urządzenia można używać wyłącznie do celów podanych poniżej:

- Zasysanie zanieczyszczeń płynnych lub suchego pyłu/ kurzu, gdy używany jest port wlotowy zasysania.
- Gdy używany jest port wylotowy nadmuchu, odkurzacz działa tak jak dmuchawa.

ZAKŁADANIE/WYJMOWANIE AKUMULATORA

Do urządzenia należy używać wyłącznie ładowarek i akumulatorów marki EGO wymienionych na rys. A3.

Więcej informacji znaleźć można w instrukcjach do odpowiednich akumulatorów i ładowarek.

Naładować przed pierwszym użyciem.

Zakładanie

Należy dopasować żeberka akumulatora do szczelin montażowych i wsunąć akumulator do odkurzacza aż da się słyszeć „kliknięcie” (rys. G1).

Wyjmowanie

Należy wcisnąć przycisk odblokowujący akumulator i wysunąć akumulator (rys. G2).

G1-1	Szczelina montażowa	G1-2	Żeberko
G2-1	Przycisk odblokowujący akumulator		

WŁĄCZANIE/WYŁĄCZANIE ODKURZACZA NA SPRZĄTANIA NA MOKRO/SUCHO (RYS. H)

Włączanie odkurzacza

1. Sprawdzić, czy zespół głowicy napędowej jest zainstalowany na zbiorniku na kurz i czy zbiornik na kurz jest dobrze zablokowany. Upewnić się, że wąż odkurzacza, wymagane rury przedłużające i ssawka są prawidłowo podłączone.

UWAGA: Odkurzacz działa tylko wtedy, gdy zespół głowicy napędowej jest pewnie zamocowany do zbiornika na kurz.

2. Zainstalować akumulator.
3. Nacisnąć przycisk zasilania, aby włączyć odkurzacz.
4. Nacisnąć przycisk regulacji prędkości, aby wybrać małą lub dużą prędkość, a następnie nacisnąć przycisk start/stop, aby włączyć odkurzacz. Lub nacisnąć przycisk TURBO, aby włączyć odkurzacz bezpośrednio z maksymalną prędkością.

UWAGA: Prędkość można również regulować podczas odkurzania. Więcej informacji podano w części „WYBÓR PRĘDKOŚCI”.

Wyłączanie odkurzacza

1. Po zakończeniu odkurzania lub gdy zbiornik na kurz jest pełny, należy nacisnąć przycisk start/stop, aby tymczasowo wyłączyć odkurzacz.
2. Lub: nacisnąć przycisk zasilania, aby całkowicie wyłączyć odkurzacz.
3. Wyjąć akumulator.
4. Opróżnić zbiornik na kurz do odpowiedniego pojemnika lub odpływu.

UWAGA: Po ponownym uruchomieniu odkurzacz wznowi pracę z poprzednio aktywnym ustawieniem zwykłej prędkości.

Wskaźnik przycisku zasilania

Wskaźnik przycisku zasilania	Znaczenie	Działanie
Świeci na zielono	Gotowość	Nie są wymagane żadne działania. Odkurzacz wyłączy się automatycznie po 1 godzinie bezczynności.
	Maszyna działa prawidłowo	Normalne działanie.
Miga na zielono 6 razy, a następnie gaśnie	Poziom cieczy w zbiorniku sięga do dolnej końcówki czujników cieczy	Zatrzymać odkurzacz, wyjąć akumulator, a następnie opróżnić zbiornik zgodnie z instrukcją opróżniania.
Miga na zielono w sposób ciągły	Błąd elektroniki	Skontaktować się z działem obsługi klienta EGO, aby uzyskać pomoc.

WYBÓR PRĘDKOŚCI

Tryb zwykłej prędkości

- Każde wciśnięcie przycisku regulacji prędkości przełącza prędkość między ustawieniami mała prędkość i duża prędkość. Wskaźnik prędkości wyświetla zielone kontrolki świetlne odpowiadające aktualnemu poziomowi prędkości.
- Odkurzacz zapisuje ostatnie używane ustawienie prędkości i powraca do niego po ponownym uruchomieniu urządzenia.

TRYB TURBO

- Nacisnąć przycisk TURBO, wskaźnik TURBO zaświeci się na zielono, a odkurzacz zacznie pracować bezpośrednio z prędkością TURBO, czyli maksymalną.
- W trybie TURBO nacisnąć ponownie przycisk TURBO lub nacisnąć przycisk regulacji prędkości, przycisk start/stop lub przycisk zasilania – spowoduje to zamknięcie trybu TURBO odkurzacza. Wskaźnik TURBO zgaśnie.

UWAGA: Po wyjściu z trybu TURBO odkurzacz powróci do poprzednio włączonej zwykłej prędkości.

PL

REGULATOR SIŁY ZASYSANIA (rys. 1)

Podczas odkurzania przepływ powietrza na końcu węża odkurzacza można kontrolować pokrętką regulacji siły zasysania. Aby zmniejszyć siłę zasysania, należy przekręcić regulator tak, aby odsłonić wylot powietrza; aby zwiększyć siłę zasysania, należy przekręcić regulator tak, aby go zakryć.

Funkcja ta jest szczególnie przydatna, gdy wąż odkurzacza szczelnie przylega do odkurzanych dywanów, tkanin itp. Aby zmniejszyć zasysanie, wystarczy wtedy przekręcić regulator tak, aby odsłonić wylot powietrza.

I-1	Regulator siły zasysania	I-2	Wylot powietrza
-----	--------------------------	-----	-----------------

ZDALNE STEROWANIE

- Pilota zdalnego sterowania można, na czas odkurzania, zamocować na wężu odkurzacza (rys. J1).
- Gdy odkurzacz jest włączony, pilotem można włączyć/ wyłączyć odkurzacz lub przełączyć go w tryb TURBO.

UWAGA: Pilot nie umożliwia przełączania między zwykłą małą i dużą prędkością.

- Pilot może również służyć jako latarka do oświetlania ciemnych miejsc, zwłaszcza podczas korzystania ze ssawki szczelinowej.

Parowanie pilota (rys. J2)

Pilot jest fabrycznie sparowany z odkurzaczem. Jednakże,

w przypadku uszkodzenia lub zgubienia pilota, aby sparować nowego pilota z odkurzaczem, należy wykonać poniższe czynności.

1. Zainstalować akumulator.
2. Nacisnąć przycisk zasilania, aby włączyć odkurzacz.
3. Nacisnąć i przytrzymać przycisk start/stop na odkurzacz, aż wskaźnik przycisku zasilania zacznie powoli migać na zielono.
4. Nacisnąć przycisk TURBO lub przycisk start/stop na pilocie, gdy tylko wskaźnik przycisku zasilania zacznie migać, coraz wolniej, na zielono.
5. Wskaźnik przycisku zasilania będzie szybko migać na zielono, a następnie zaświeci się na zielono, co oznacza, że parowanie się powiodło.

Wskaźnik pilota

Wskaźnik pilota	Znaczenie	Działanie
Szybko miga na zielono	Bateria pilota jest prawie rozładowana.	Naładować pilota.
Powoli miga na zielono	Trwa ładowanie pilota.	Nie są wymagane żadne działania.
Świeci na zielono	Ładowanie pilota zostało zakończone.	Odłączyć pilota i kabel do ładowania od zasilania.

PL

UWAGA: Podczas zwykłej pracy wskaźnik pilota zaświeci się jeden raz, a następnie zgaśnie po jednokrotnym naciśnięciu przycisku TURBO lub przycisku start/stop.

Ładowanie pilota (rys. J3)

Okresowo bateria wewnątrz pilota będzie wymagała ładowania.

⚠ OSTRZEŻENIE: W przypadku, gdy w pilocie znajduje się akumulator litowo-jonowy, należy pamiętać o następujących kwestiach:

- Ryzyko pożaru i oparzeń.
 - Nie otwierać, nie zginać, nie podgrzewać powyżej 60°C, nie spalać.
 - Nie zwierać wyprowadzeń.
 - W przypadku silnego wybrzuszenia przerwać użytkowanie.
1. Otworzyć pokrywę portu USB-C.
 2. Podłączyć końcówkę USB-C dostarczonego w komplecie kabla do ładowania do portu USB-C w pilocie.
 3. Podłączyć drugi koniec kabla do ładowania do

kompatybilnego zasilacza/ładowarki USB (brak w zestawie). Ładowanie całkowicie rozładowanego akumulatora może potrwać do 2 godzin.

4. Po zakończeniu ładowania odłączyć kabel do ładowania i zamknąć osłonę portu USB-C, aby chronić port USB-C przed zanieczyszczeniem.

J3-1	Osłona portu USB-C	J3-2	Port USB-C
J3-3	Kabel do ładowania		

PRACA Z UŻYCIEM ODKURZACZA

Odkurzanie na mokro

- Podczas odkurzania na mokro nie należy używać worka na kurz.
- Gdy zbiornik na kurz się napelni, należy natychmiast wyłączyć odkurzacz. Opróżnić zbiornik na kurz do odpowiedniego pojemnika lub odpływu.
- Wnętrze zbiornika na kurz, filtra i akcesoriów należy okresowo czyścić. Czyszczenie powinno się odbywać częściej, gdy elementy te są używane do zbierania mokrych lub lepkich materiałów.

Odkurzanie na sucho

- Po odkurzeniu na mokro należy upewnić się, że filtr jest całkowicie suchy lub do odkurzania na sucho użyć drugiego, suchego filtra. Wilgotne lub mokre filtry zatkają się kurzem lub pleśnią.
- Aby zmniejszyć narażenie na pył krzemionkowy, należy używać worka na kurz.
- Gdy worek na kurz się napelni, należy natychmiast wyłączyć odkurzacz.
- Opróżnić zbiornik na kurz do odpowiedniego pojemnika lub odpływu.

Używanie dmuchawy

⚠ OSTRZEŻENIE: Podczas używania maszyny jako dmuchawy należy zawsze nosić okulary ochronne.

⚠ OSTRZEŻENIE: Nie należy wydmuchiwać materiałów łatwopalnych lub palnych, takich jak benzyna. Nie używać w miejscach, w których mogą występować tego typu materiały. Mogłoby dojść do pożaru.

⚠ OSTRZEŻENIE: Nie należy kierować strumienia powietrza w kierunku ludzi lub zwierząt.

KONSERWACJA

⚠ OSTRZEŻENIE: Aby uniknąć poważnych obrażeń ciała, przed serwisowaniem, czyszczeniem, wymianą osprzętu dodatkowego oraz usuwaniem materiału należy zawsze wyjmować z produktu akumulator.

KONSERWACJA OGÓLNA

Podczas czyszczenia części plastikowych należy unikać używania rozpuszczalników. Pod wpływem kontaktu z różnego rodzaju rozpuszczalnikami dostępnymi w handlu większość tworzyw może ulec uszkodzeniu. Do usuwania zabrudzeń, kurzu, oleju, smaru itp. należy używać czystej ściereczki.

⚠ OSTRZEŻENIE: Nigdy nie należy dopuszczać do kontaktu elementów plastikowych z substancjami takimi jak płyn hamulcowy, benzyna, produkty ropopochodne, oleje penetrujące itp. Substancje chemiczne mogą uszkodzić, osłabić lub zniszczyć tworzywa, co może w konsekwencji spowodować poważne obrażenia.

⚠ OSTRZEŻENIE: Aby zmniejszyć ryzyko pożaru, obrażeń ciała i uszkodzenia produktu w wyniku zwarcia, nigdy nie należy zanurzać maszyny, akumulatora ani ładowarki w płynach; nie należy pozwalać, aby płyny dostały się do środka. Płyny żrące lub przewodzące, takie jak woda morską, niektóre chemikalia przemysłowe, wybielacze lub produkty zawierające wybielacze itp. mogą doprowadzić do zwarcia.

OPRÓŻNIANIE ZBIORNIKA NA KURZ

1. Zdjąć zatyczkę portu spustowego, aby spuścić płyn ze zbiornika na kurz do odpowiedniego pojemnika lub odpływu, o ile jest dostępny.
2. Zdjąć zespół głowicy napędowej ze zbiornika na kurz.
3. Wyjąć worek na kurz, jeśli jest zainstalowany.
4. Usunąć cały brud lub wszystkie zanieczyszczenia ze zbiornika na kurz i umyć zbiornik łagodnym mydłem i wodą.
5. Przed ponownym zamontowaniem zespołu głowicy napędowej odczekać, aż zbiornik na kurz wyschnie.

KONSERWACJA FILTRA

System samooczyszczania filtra

1. Podłączyć wąż odkurzacza do króćca wlotowego zasysania odkurzacza i zainstalować drugi koniec węża na wtyczce samooczyszczania filtra (rys. K1).
2. Zainstalować akumulator i nacisnąć przycisk zasilania, aby włączyć maszynę.
3. Wybrać żądany tryb prędkości i nacisnąć przycisk start/stop, aby włączyć maszynę.
4. Nacisnąć przycisk samooczyszczania filtra, aby wyczyścić filtr (rys. K2).

WSKAZÓWKI: Aby czyszczenie było maksymalnie skuteczne, zaleca się wybranie trybu TURBO, pięciokrotne naciśnięcie przycisku samooczyszczania filtra i przytrzymanie go za każdym razem przez 3 sekundy.

K1-1	Port wlotowy zasysania	K1-2	Wąż odkurzacza
K1-3	Wtyczka samooczyszczania filtra	K2-1	Przycisk samooczyszczania filtra

Mycie filtra

Wyjąć akumulator i sprawdzić filtr, podnosząc zespół głowicy napędowej. Jeśli po wykonaniu czynności opisanych w części „System samooczyszczania filtra” filtr jest nadal brudny, należy wyjąć go i wypłukać w zimnej wodzie. Pozostawić filtr do całkowitego wyschnięcia i zainstalować ponownie.

Wymiana filtra (rys. L1 i rys. L2)

⚠ OSTRZEŻENIE: Filtr należy okresowo kontrolować. Jeśli jest zużyty lub uszkodzony, należy go wymienić. Używanie uszkodzonego filtra może doprowadzić do uwolnienia z kanistra niepożądanych lotnych zanieczyszczeń.

1. Podnieść zespół głowicy napędowej i położyć go na boku (rys. L1).
2. Rozłożyć rączkę uchwytu na filtr i wyciągnąć uchwyt z filtrem (rys. L2).
3. Aby usunąć kurz i zanieczyszczenia z filtra, użyć wilgotnej szmatki.
4. Zainstalować nowy lub oczyszczony filtr w uchwycie.
5. Założyć uchwyt w miejsce na filtr i złożyć rączkę.

L1-1	Rączka	L1-2	Uchwyt na filtr
------	--------	------	-----------------

PRZECHOWYWANIE ODKURZACZA

1. Wyjąć akumulator z odkurzacza.
2. Dokładnie wyczyścić odkurzacza przed schowaniem.
3. Odkurzacza należy przechowywać w suchym i przewiewnym miejscu niedostępnym dla dzieci: albo pod kluczem, albo wystarczająco wysoko. Odkurzacza nie należy przechowywać na nawozach lub w ich pobliżu, to samo dotyczy benzyny oraz innych substancji chemicznych.

OCHRONA ŚRODOWISKA



Urządzeń elektrycznych, zużytych akumulatorów i ładowarki nie należy wyrzucać do zwykłych zmieszanych śmieci domowych! Produkt należy oddać do zbiórki selektywnej w autoryzowanym punkcie recyklingu. Elektronarzędzia należy oddawać do przyjaznego dla środowiska zakładu recyklingu.

ROZWIĄZYWANIE PROBLEMÓW

PROBLEM	PRZYCZYNA	ROZWIĄZANIE
Odkurzacze nie włącza się.	<ul style="list-style-type: none"> ■ Niski poziom naładowania akumulatora. ■ Akumulator nie jest prawidłowo zainstalowany. 	<ul style="list-style-type: none"> ■ Naładować akumulator. ■ Wsunąć akumulator do odkurzacza, aż zatrzaśnie się na swoim miejscu.
Słaba moc odkurzacza.	<ul style="list-style-type: none"> ■ Wąż odkurzacza lub wlot zasysania są zablokowane. ■ Filtr jest zapchany drobnym pyłem. ■ Zbiornik na kurz jest pełny. ■ Niski poziom naładowania akumulatora. ■ Zatyczka portu spustowego została zdjęta ze zbiornika na kurz. 	<ul style="list-style-type: none"> ■ Sprawdzić i usunąć zator w węży odkurzacza lub na wlocie zasysającym. ■ Wyczyścić filtr zgodnie z opisem podanym w części „KONSERWACJA FILTRA” w niniejszej instrukcji. ■ Opróżnić zbiornik na kurz. ■ Naładować akumulator. ■ Założyć zatyczkę portu spustowego na zbiornik na kurz.
Maszyna pracuje, ale nie zasysa.	<ul style="list-style-type: none"> ■ Zespół głowicy napędowej nie jest do końca zainstalowany na zbiorniku na kurz. 	<ul style="list-style-type: none"> ■ Upewnić się, że zespół głowicy napędowej został w pełni zainstalowany na zbiorniku na kurz.
Z portu wylotowego nadmuchu wydostaje się kurz.	<ul style="list-style-type: none"> ■ Brak filtra lub jest on nieprawidłowo zainstalowany. ■ Filtr jest uszkodzony. 	<ul style="list-style-type: none"> ■ Sprawdzić filtr pod kątem właściwego zainstalowania. ■ Wymienić filtr na nowy.
Odkurzaczem nie da się sterować za pomocą pilota.	<ul style="list-style-type: none"> ■ Pilot nie został sparowany z odkurzaczem. ■ Poziom naładowania pilota jest niski. ■ Pilot jest uszkodzony. 	<ul style="list-style-type: none"> ■ Sparować pilota z odkurzaczem w sposób opisany w części „Parowanie pilota” w niniejszej instrukcji. ■ Naładować pilota. ■ Użyć nowego pilota i przeprowadzić parowanie pilota.

PL

GWARANCJA

POLITYKA GWARANCYJNA EGO

W celu zapoznania się z wszystkimi warunkami polityki gwarancyjnej EGO prosimy wejść na stronę egopowerplus.eu.

PŘEČTĚTE SI VŠECHNY POKYNY!



PŘEČTĚTE SI NÁVOD K OBSLUZE

VAROVÁNÍ: Z důvodu zajištění bezpečnosti a spolehlivosti musí všechny opravy provádět kvalifikovaný servisní technik.

BEZPEČNOSTNÍ SYMBOLY

Účelem bezpečnostních symbolů je upoutat vaši pozornost k případným nebezpečím. Bezpečnostní symboly a jejich vysvětlení vyžadují vaši zvýšenou pozornost a porozumění. Výstražné symboly samy o sobě nevylučují žádné nebezpečí. Pokyny a varování nejsou náhradou vhodných opatření pro prevenci úrazů.

VAROVÁNÍ: Před použitím tohoto stroje si přečtěte a porozumějte všem bezpečnostním pokynům v tomto návodu k obsluze, včetně všech bezpečnostních výstražných symbolů, jako jsou „**NEBEZPEČÍ**“, „**VAROVÁNÍ**“ a „**UPOZORNĚNÍ**“. Nedodržení níže uvedených pokynů může mít za následek úraz elektrickým proudem, požár nebo vážná zranění osob.

VÝZNAM SYMBOLŮ

BEZPEČNOSTNÍ VÝSTRAŽNÉ SYMBOLY: Označují **NEBEZPEČÍ**, **VAROVÁNÍ**, nebo **UPOZORNĚNÍ** a mohou se použít ve spojení s dalšími symboly nebo piktogramy.

CZ

BEZPEČNOSTNÍ POKYNY

Na této stránce jsou zobrazeny a popsány bezpečnostní symboly, které se mohou na výrobku objevit. Před montáží a provozem si přečtěte, seznámte se a dodržujte veškeré pokyny ke stroji.



Bezpečnostní upozornění



Z důvodu snížení rizika úrazu si musí uživatel přečíst návod k obsluze.



Odpadní elektrické výrobky se nesmí likvidovat s domovním odpadem. Odevzdejte je do autorizovaného recyklačního střediska.



Stejnoseměrný proud



Tento výrobek je v souladu s platnými směrnici ES.



Posouzení shody ve Spojeném království

IPX4 Ochrana před stříkající vodou

L Litr

kg Kilogram

V Volt

°C Celsius

L/min Litr za minutu

Pa Pascal


VAROVÁNÍ: Přečtěte si všechny pokyny a seznámte se s nimi. Nedodržení níže uvedených pokynů může mít za následek úraz elektrickým proudem, požár nebo vážná poranění osob.

Zařízení není určeno pro používání osobami (včetně dětí) s omezenými fyzickými, smyslovými nebo duševními schopnostmi nebo nedostatkem zkušeností a znalostí, pokud tyto osoby nejsou pod dohledem nebo nejsou řádně poučeny odpovědnou osobou o bezpečném používání zařízení.

- Děti musí být pod dozorem, aby si s výrobkem nehrály.
- Nevystavujte spotřebič ani baterii nadměrným teplotám.
- Dávejte pozor na riziko zkratování svorek bateriového spotřebiče nebo baterie kovovými předměty.
- Dobíjecí baterie musí být před nabíjením ze spotřebiče vyjmuty.
- Různé typy baterií nebo nové a použité baterie se nesmí míchat.
- Vybité baterie musí být vyjmuty ze spotřebiče a bezpečně zlikvidovány.
- Pokud má být spotřebič skladován po delší dobu bez používání, je třeba baterie vyjmout.
- Místo dobíjecích baterií nepoužívejte nenabíjecí baterie.
- Nepoužívejte upravené nebo poškozené baterie.
- **Používejte pouze s uvedenými akumulátory a nabíječkami.**

Tyto pokyny uchovejte pro budoucí použití. Často se na ně odkazujte a používejte je k instruování ostatních, kteří mohou tento stroj používat. Pokud stroj někomu půjčíte, půjčte mu také tento návod k obsluze, aby nedošlo k nesprávnému použití výrobku nebo případně k úrazu.

TECHNICKÉ ÚDAJE

Napětí	56 V 		
Kapacita prachové nádoby	34 L		
Rychlostní režim	Nizká	Vysoká	TURBO
Max. Průtok vzduchu (l/min)	1900	2500	3100
Max. Sací výkon (Pa)	10000	15900	24800
Dálkové ovládání	Teplota nabíjení	0°C - 45°C	
	Max. nabíjecí napětí	5 V	
	Max. nabíjecí proud	1 A	
Hmotnost (bez akumulátoru)	12,1 kg		
Doporučená provozní teplota	-5°C - 40°C		

Doporučená skladovací teplota

-20°C - 70°C

OBSAH BALENÍ (OBR. A1 A A2)

DOPORUČENÉ PŘÍSLUŠENSTVÍ

VAROVÁNÍ: Používejte pouze níže uvedené příslušenství. Použití příslušenství, které nespĺňuje specifikace původního zařízení, může vést k nesprávnému výkonu a ohrožení bezpečnosti.

NÁZEV DÍLU	ČÍSLO MODELU
Prachové sáčky (5 ks)	AVG0905
Náhradní filtr	AVF0900

POPIS

SEZNAMTE SE S VYSAVAČEM PRO MOKRÉ A SUCHÉ VYSÁVÁNÍ (OBR. A1 A A2)

- Sestava pohonné hlavice
- Rukojeť
- Úložný prostor pro příslušenství
- Západka prachové nádoby (x2)
- Zadní kolo (x2)
- Prachová nádoba
- Kolečko s brzdou (x2)
- Víčko vypouštěcího otvoru
- Štěrbínová tryska
- Sací vstupní otvor
- Ovládací panel
- Otvory pro uložení vysávací hadice
- Výfukovací výstupní otvor
- Dočasné uskladnění příslušenství
- Velká podlahová tryska + kartáčová lišta
- Prodlužovací trubky
- Tlačítko pro uvolnění akumulátoru
- Tlačítko samočištění filtru
- Samočisticí zástrčka filtru
- Vysávací hadice
- Tlačítko pro uvolnění hadice
- Regulátor sání
- Držák pro dálkové ovládání

24. Gumová lišta
25. Prachový sáček
26. Nabíjecí kabel pro dálkové ovládání
27. Dálkové ovládání
28. Kulatá tryska na prach
29. Kompaktní podlahová tryska
30. Adaptér elektrického nářadí
31. Hlavní vypínač
32. Tlačítko Start/Stop
33. Tlačítko rychlosti
34. Ukazatel rychlosti
35. Tlačítko TURBO
36. Kontrolka TURBO
37. Filtr
38. Držák filtru
39. Senzor kapaliny (x4)
40. Držák prachového sáčku
41. Vypouštěcí port

MONTÁŽ

PŘIPOJENÍ/ODPOJENÍ VYSÁVACÍ HADICE

Pro **připojení** zatlačte konec hadice do sacího vstupního otvoru nebo vyfukovacího výstupního otvoru, dokud neuslyšíte „cvaknutí“. (Obr. B1).

Chcete-li hadici odpojit, stiskněte a podržte tlačítka pro uvolnění hadice (obr. B2).

B1-1	Vysávací hadice	B1-2	Sací vstupní otvor
B1-3	Vyfukovací výstupní otvor	B2-1	Tlačítka pro uvolnění hadice

PŘIPOJENÍ/ODPOJENÍ PRODLUŽOVACÍCH TRUBEK (OBR. C)

Podle potřeby připojte k vysávací hadici jednu nebo dvě prodlužovací trubky.

Pro **připojení** zasuňte úzký konec prodlužovací trubka do vysávací hadice tak daleko, jak to jen půjde, dokud nebude prodlužovací trubka zajištěna na místě.

Pro **odpojení** vytáhněte prodlužovací trubku z vysávací hadice.

Druhá prodlužovací trubka se stejným způsobem připojí/odpojí k první trubce.

C-1	Vysávací hadice	C-2	Úzký konec
C-3	Široký konec	C-4	Prodlužovací trubky

INSTALACE/DEMONTÁŽ TRYSKY

Podle potřeby zvolte vhodnou trysku, kterou namontujete přímo na vysávací hadici nebo na prodlužovací trubku (obr. D1).

- Chcete-li připojit trysku k prodlužovací trubce, zasuňte trysku do prodlužovací trubky tak daleko, až je zajištěna na místě. Trysku odpojte tak, že ji vytáhnete z prodlužovací trubky.
- Chcete-li připojit trysku přímo k vysávací hadici, zarovnejte knoflík na trysce s drážkou ve vysávací hadici, zasuňte trysku do vysávací hadice, dokud neuslyšíte „cvaknutí“. Chcete-li trysku odpojit, stiskněte a podržte uvolňovací tlačítko a vyjměte ji.

D1-1	Uvolňovací tlačítko	D1-2	Drážka
D1-3	Prodlužovací trubky (volitelné)	D1-4	Knoflík
D1-5	Tryska		

Štěrbinová tryska (obr. D2)

Tmavá místa lze snadno vyčistit pomocí štěrbinové trysky v kombinaci s integrovaným světlem dálkového ovládání.

Připojte štěrbinovou trysku k vysávací hadici a nacvakněte dálkové ovládání na držák dálkového ovládání na vysávací hadici. Stiskněte tlačítko osvětlení na dálkovém ovladači a průhledná štěrbinová tryska se rozsvítí.

D2-1	Štěrbinová tryska	D2-2	Tlačítko osvětlení
D2-3	Dálkové ovládání		

Adaptér elektrického nářadí (obr. D3)

Adaptér elektrického nářadí umožňuje připojení vysavače k elektrickému nářadí s 32mm výstupem prachu.

Po připojení vysávací hadice k sacímu vstupnímu otvoru vysavače zasuňte adaptér elektrického nářadí do vysavače tak daleko, až je adaptér elektrického nářadí zajištěn na místě, a poté připojte adaptér k výstupu prachu elektrického nářadí.

VAROVÁNÍ: Adaptér elektrického nářadí nelze připojit k prodlužovací trubce. Násilná instalace může způsobit poškození adaptéru elektrického nářadí nebo prodlužovacích trubek.

D3-1	Elektrické nářadí (není součástí dodávky)	D3-2	Adaptér elektrického nářadí
D3-3	Vysávací hadice	D3-4	Sací vstupní otvor

Velká podlahová tryska + kartáčová lišta/gumová lišta (obr. D4)

Velkou podlahovou trysku lze kombinovat s kartáčovou nebo gumovou lištou.

Mírně rozevřete oba konce lišty a stlačte je dolů, abyste lištu vyndali z trysky.

Pro instalaci lišty zatlačte konce lišty do otvorů v trysce, dokud neuslyšíte „cvaknutí“.

D4-1	Velká podlahová tryska	D4-2	Otvory trysky
D4-3	Gumová lišta	D4-4	Konce lišty

INSTALACE/DEMONTÁŽ NÁSTAVCE POHONNÉ HLAVICE

Pro **instalaci** zatlačte spodní části západek prachové nádoby, spusťte sestavu pohonné hlavice na prachovou nádobu a poté zatlačte horní části západek prachové nádoby. (Obr. E1 a E2).

Pro **vyjmutí** zatlačte na spodní části prachové nádoby a poté zvedněte sestavu pohonné hlavice (obr. E3).

CZ

INSTALACE/VYJMUTÍ PRACHOVÉHO SÁČKU

- Odjistěte prachovou nádobu a zvedněte sestavu pohonné hlavice.
- Pro **instalaci** vložte do držáku prachového sáčku pouze destičku prachového sáčku, dokud nezapadne na žebra. Před sběrem prachu nebo nečistot prachový sáček ručně rozložte (obr. F1).
Pro **vyjmutí** lehce nadzvedněte desku nad žebra a poté desku vytáhněte ze šterbiny, abyste vyndali prachový sáček (obr. F2).

F1-1	Držák prachového sáčku	F1-2	Otvor
F1-3	Prachový sáček	F1-4	Destička
F2-1	Žebra		

OBSLUHA

POUŽITÍ

Výrobek lze použít k následujícím účelům:

- Nasávání kapalného odpadu nebo suchého prachu při použití sacího vstupního otvoru.
- Funguje jako foukač, když se používá vyfukovací výstupní otvor.

INSTALACE/VYJMUTÍ AKUMULÁTORU

Používejte pouze s akumulátory a nabíječkami EGO uvedenými na obr. A3.

Další podrobnosti naleznete v příslušných příručkách k akumulátorům a nabíječkám.

Před prvním použitím akumulátor plně nabijte.

Instalace

Vyrovnejte žebra akumulátoru s montážními otvory a nasadte akumulátor na vysavač, dokud neuslyšíte „cvaknutí“ (obr. G1).

Vyjmutí

Stiskněte tlačítko pro uvolnění akumulátoru a vytáhněte akumulátor (obr. G2).

G1-1	Instalační otvor	G1-2	Výstupek
G2-1	Tlačítko pro uvolnění akumulátoru		

SPUŠTĚNÍ/ZASTAVENÍ MOKRÉHO/SUCHÉHO VYSÁVÁNÍ (OBR. H)

Spuštění vysavače

- Zkontrolujte, zda je sestava pohonné hlavice nainstalována na prachové nádobě a zda je prachová nádoba bezpečně zajištěna. Zkontrolujte, zda jsou správně připojeny vysávací hadice, potřebné prodlužovací trubky a trysky.

POZNÁMKA: Vysavač pracuje pouze tehdy, když je sestava pohonné hlavice pevně připojena k prachové nádobě.

- Nainstalujte akumulátor.
- Stisknutím hlavního vypínače zapnete vysavač.
- Stisknutím tlačítka pro nastavení rychlosti zvolte nízkou nebo vysokou rychlost a poté stisknutím tlačítka start/stop spusťte vysávání. Nebo stiskněte tlačítko TURBO a spusťte vysavač přímo na maximální rychlost.

POZNÁMKA: Rychlost lze regulovat i během vysávání. Další informace naleznete v kapitole „VOLBA RYCHLOSTI“.

Zastavení vysavače

- Po dokončení vysávání nebo po naplnění prachové nádoby stiskněte tlačítko start/stop, čímž vysávání dočasně zastavíte.
- Nebo stisknutím hlavního vypínače vysavač zcela vypnete.
- Vyjmete akumulátor.

4. Prachovou nádobu vyprázdněte do vhodné nádoby nebo do kanalizace.

POZNÁMKA: Při opětovném spuštění se vysavač vrátí k dříve aktivnímu běžnému nastavení rychlosti.

Kontrolka hlavního vypínače

Kontrolka hlavního vypínače	Význam	Akce
Svítilící zelená	Pohotovostní režim	Žádné akce nejsou nutné. Vysavač se automaticky vypne po 1 hodině nečinnosti.
	Stroj běží správně.	Normální provoz.
Šestkrát blikne zeleně a pak se vypne.	Hladina kapaliny v nádrži dosáhne spodní špičky snímačů kapaliny.	Zastavte vysavač, vyjměte akumulátor a poté vyprázdněte nádobu podle pokynů k vyprazdňování.
Nepřetržitě bliká zeleně	Chyba elektroniky	Obratě se na zákaznický servis EGO

VOLBA RYCHLOSTI

Běžný rychlostní režim

- Při každém stisknutí tlačítka pro nastavení rychlosti se rychlost přepíná mezi nízkou a vysokou úrovní. Ukazatel rychlosti zobrazuje zelená světla odpovídající aktuálnímu úrovní rychlosti.
- Vysavač uloží poslední použité nastavení rychlosti a po restartu se k němu vrátí.

REŽIM TURBO

- Stiskněte tlačítko TURBO, kontrolka TURBO se rozsvítí zeleně a vysavač začne pracovat přímo na rychlosti TURBO, tj. na nejvyšší rychlosti.
- V režimu TURBO znovu stiskněte tlačítko TURBO nebo stiskněte tlačítko pro nastavení rychlosti, tlačítko start/stop nebo hlavní vypínač - kontrolka TURBO zhasne a vysavač ukončí režim TURBO.

POZNÁMKA: Po ukončení režimu TURBO se vysavač vrátí k dříve nastavené rychlosti.

REGULÁTOR SÁNÍ (obr. I)

Při vysávání lze regulovat průtok vzduchu na konci

vysávací hadice otáčením regulátoru sání. Otočením regulátoru odkryjete výstup vzduchu, čímž snížíte sání, nebo otočením regulátoru zakryjete výstup vzduchu, čímž zvýšíte sání.

Tato funkce je užitečná zejména v případě, že je vysávací hadice během sání utěsněna koberci, látkami apod., otočením regulátoru odkryjete výstup vzduchu, sání se sníží.

I-1	Regulátor sání	I-2	Výstup vzduchu
-----	----------------	-----	----------------

DÁLKOVÉ OVLÁDÁNÍ

- Dálkový ovladač by mohl být během vysávání umístěn na vysávací hadici (obr. J1).
- Když je vysavač zapnutý, můžete jej spustit/zastavit nebo přepnout do režimu TURBO pomocí dálkového ovládání.

POZNÁMKA: Dálkové ovládání neumožňuje přepínat mezi běžnou nízkou a vysokou rychlostí.

- Dálkový ovladač lze použít také jako svítilnu do tmavých prostor, zejména při použití štěrbínové trysky.

Párování dálkového ovládání (obr. J2)

Dálkové ovládání bylo s vysavačem spárováno již z výroby. Pokud však dojde k poškození nebo ztrátě dálkového ovladače, postupujte podle níže uvedených kroků a spárujte nový dálkový ovladač s vysavačem.

1. Nainstalujte akumulátor.
2. Stisknutím hlavního vypínače zapněte vysavač.
3. Dlouze stiskněte tlačítko start/stop na vysavači, dokud kontrolka hlavního vypínače nezačne pomalu zeleně blikat.
4. Stiskněte tlačítko TURBO nebo tlačítko start/stop na dálkovém ovladači, jakmile začne kontrolka hlavního vypínače pomalu zeleně blikat.
5. Kontrolka hlavního vypínače začne rychle zeleně blikat a poté svítí trvale zeleně, což znamená, že spárování proběhlo úspěšně.

Kontrolka dálkového ovládání

Kontrolka dálkového ovládání	Význam	Akce
Rychle bliká zeleně	Akumulátor dálkového ovládání je téměř vybitý.	Nabijte dálkový ovladač.
Pomalou bliká zeleně	Dálkové ovládání se nabíjí	Není třeba přijímat žádná opatření.

Svítilící zelená	Nabíjení dálkového ovladače je dokončeno.	Odpojte dálkový ovladač a nabíjecí kabel od napájení.
------------------	---	---

POZNÁMKA: Při běžném provozu se kontrolka dálkového ovládání jednou rozsvítí a poté zhasne, když jednou stisknete tlačítko TURBO nebo tlačítko start/stop.

Dobíjení dálkového ovladače (obr. J3)

Akumulátor uvnitř dálkového ovládání je třeba pravidelně dobíjet.

VAROVÁNÍ: U tohoto dobíjecího Li-ion akumulátoru uvnitř dálkového ovladače si dejte pozor na následující informace:

- Riziko požáru a popálenin.
- Neotevírejte, nedrťte, nezahřívajte nad 60 °C ani nespalujte.
- Nezpůsobujte zkrat.
- Při silném vyboulení přestaňte používat.

1. Otevřete kryt USB-C portu.
2. Připojte konec USB-C dodaného nabíjecího kabelu k USB-C portu v dálkovém ovladači.
3. Druhý konec nabíjecího kabelu připojte ke kompatibilnímu USB napájecímu adaptéru/nabíječe (není součástí dodávky). Nabíjení zcela vybitého akumulátoru může trvat až 2 hodiny.
4. Po dokončení nabíjení odpojte nabíjecí kabel a zavřete kryt USB-C portu, aby byl USB-C port chráněn před znečištěním.

J3-1	Kryt USB-C portu	J3-2	Port USB-C
J3-3	Nabíjecí kabel		

PRÁCE S VYSAVAČEM

Mokrý vysávání

- Nepoužívejte prachový sáček při mokřém vysávání.
- Po naplnění prachové nádoby vysavač okamžitě vypněte. Prachovou nádobu vyprázdněte do vhodné nádoby nebo do kanalizace.
- Pravidelně čistěte vnitřní prostor prachové nádoby, filtr a příslušenství, častěji při vysávání mokřých a lepkavých materiálů.

Suché vysávání

- Po mokřém vysávání se ujistěte, že je filtr zcela suchý, nebo použijte druhý suchý filtr pro suché vysávání. Vlhké nebo mokré filtry se zanášejí prachem nebo plesniví.

- Chcete-li snížit expozici prachu oxidu křemičitého, použijte prachový sáček.
- Po naplnění prachového sáčku nebo prachové nádoby vysavač okamžitě vypněte.
- Prachovou nádobu vyprázdněte do vhodné nádoby nebo do kanalizace.

Používání foukače

VAROVÁNÍ: Při používání tohoto stroje jako foukače vždy používejte ochranu očí.

VAROVÁNÍ: Nevýfukujte hořlavé nebo vznětlivé materiály, jako je například benzín, ani nepoužívejte v místech, kde se takové materiály mohou vyskytovat. Mohlo by dojít k požáru.

VAROVÁNÍ: Proud vzduchu nesměřujte k lidem nebo domácím zvířatům.

ÚDRŽBA

VAROVÁNÍ: Před servisem, čištěním, výměnou nástavců nebo odstraněním materiálu vyjměte akumulátor z výrobku, aby nedošlo k vážnému úrazu.

CELKOVÁ ÚDRŽBA

K čištění plastových dílů nepoužívejte rozpouštědla. Většina plastů je náchylná k poškození různými typy komerčních rozpouštědel a jejich použití je může poškodit. K odstranění nečistot, prachu, oleje, maziva atd. použijte čistý hadr.

VAROVÁNÍ: Nikdy nedovolte, aby došlo ke styku plastových částí s brzdovými kapalinami, benzinem, ropnými produkty, penetračními oleji atd. Chemické látky mohou poškodit, zeslabit nebo poškodit plast, což může vést k vážnému úrazu.

VAROVÁNÍ: Abyste snížili riziko požáru, zranění osob a poškození výrobku v důsledku zkratu, nikdy neponořujte stroj, akumulátor nebo nabíječku do kapaliny ani nedovolte, aby do nich proudila tekutina. Korozivní nebo vodivé kapaliny, jako je mořská voda, určité průmyslové chemikálie a výrobky obsahující bělidla nebo bělidla atd., mohou způsobit zkrat.

VYPRÁZDŇOVÁNÍ PRACHOVÉ NÁDOBY

1. Odstraňte uzávěr vypouštěcího otvoru a vypusťte kapalinu z prachové nádoby do vhodné nádoby nebo kanalizace, je-li k dispozici.
2. Vyjměte sestavu pohonné hlavice z prachové nádoby.
3. Pokud je prachový sáček nainstalován, vyjměte jej.
4. Odstraňte z prachové nádoby všechny nečistoty nebo zbytky a vyčistěte ji jemnou vodou a mýdlem.

5. Před opětovnou montáží sestavy pohonné hlavice nechte prachovou nádobu vyschnout.

ÚDRŽBA FILTRU

Systém samočištění filtru

1. Připojte vysávací hadici k sacímu vstupnímu otvoru vysavače a druhý konec hadice nasadte na samočisticí zátku filtru (obr. K1).
2. Nainstalujte akumulátor, stiskněte hlavní vypínač a zapněte přístroj.
3. Zvolte požadovaný rychlostní režim a stisknutím tlačítka start/stop stroj zapněte.
4. Stisknutím tlačítka samočištění filtru vyčistíte filtr (obr. K2).

TIPY: Pro dosažení nejlepšího čistícího účinku doporučujeme zvolit režim TURBO a pětkrát stisknout tlačítko samočištění filtru a pokaždé jej podržet po dobu 3 sekund.

K1-1	Sací vstupní otvor	K1-2	Vysávací hadice
K1-3	Samočisticí zástrčka filtru	K2-1	Tlačítko samočištění filtru

Praní filtru

Vyjměte akumulátor a zkontrolujte filtr zvednutím sestavy pohonné hlavice. Pokud je filtr po provedení kroků uvedených v části „Systém samočištění filtru“ stále znečištěný, vyjměte jej a opláchněte ve studené vodě. Nechte filtr zcela vyschnout a znovu jej namontujte.

Výměna filtru (obr. L1 a L2)

VAROVÁNÍ: Filtr pravidelně kontrolujte a v případě opotřebení nebo poškození jej vyměňte. Použití poškozeného filtru může vést k uvolňování nežádoucích znečišťujících látek ze vzduchu z kanystru.

1. Zvedněte sestavu pohonné hlavice a položte ji na stranu (obr. L1).
2. Odklopte rukojeť držáku filtru a držák s filtrem vytáhněte (obr. L2).
3. Pomocí navlhčeného kusu látky odstraňte prach a nečistoty z oblasti filtru.
4. Do držáku nainstalujte nový nebo vyčištěný filtr.
5. Umístěte držák do oblasti filtru a sklopte rukojeť.

L1-1	Rukojeť	L1-2	Držák filtru
------	---------	------	--------------

SKLADOVÁNÍ VYSAVAČE

1. Vyjměte akumulátor z vysavače.
2. Před uskladněním vysavač důkladně vyčistěte.
3. Vysavač skladujte na suchém, dobře větraném, uzamčeném nebo vyvýšeném místě mimo dosah dětí. Neskladujte vysavač v blízkosti hnojiv, benzinu nebo jiných chemikálií.

OCHRANA ŽIVOTNÍHO PROSTŘEDÍ



Elektrické zařízení, použité akumulátory a nabíječku nevhazujte do domovního odpadu! Předějte tento výrobek autorizované recyklační společnosti ke tříděnému sběru. Elektrické nářadí musí být vráceno do zařízení pro ekologickou recyklaci.

ODSTRAŇOVÁNÍ ZÁVAD

PROBLÉM	PŘÍČINA	ŘEŠENÍ
Vysavač se nespustí.	<ul style="list-style-type: none"> ■ Akumulátor je málo nabitý. ■ Akumulátor není správně nainstalován. 	<ul style="list-style-type: none"> ■ Nabijte akumulátor. ■ Zasuňte akumulátor do vysavače, dokud nezapadne na své místo.
Sací výkon je slabý	<ul style="list-style-type: none"> ■ Je ucpaná vysávací hadice nebo sací vstup. ■ Filtr je zanesen jemným prachem. ■ Prachová nádoba je plná. ■ Akumulátor je málo nabitý. ■ Z prachové nádoby se odstraní víčko vypouštěcího otvoru. 	<ul style="list-style-type: none"> ■ Zkontrolujte a odstraňte ucpání vysávací hadice nebo sacího vstupu. ■ Vyčistěte filtr podle kapitoly „ÚDRŽBA FILTRU“ v této příručce. ■ Vyprázdněte prachovou nádobu. ■ Nabijte akumulátor ■ Nasadte víčko vypouštěcího otvoru na prachovou nádobu.
Stroj je v provozu, ale nedochází k sání.	<ul style="list-style-type: none"> ■ Sestava pohonné hlavice není na prachové nádobě nainstalována úplně. 	<ul style="list-style-type: none"> ■ Ujistěte se, že je sestava pohonné hlavice zcela nasazena na prachovou nádobu.
Prach uniká z vyfukovacího výstupního otvoru.	<ul style="list-style-type: none"> ■ Chybí filtr nebo je nesprávně nainstalován. ■ Filtr je poškozený. 	<ul style="list-style-type: none"> ■ Zkontrolujte správnou instalaci filtru. ■ Vyměňte filtr za nový.
Vysavač nelze ovládat pomocí dálkového ovládání.	<ul style="list-style-type: none"> ■ Dálkové ovládání není s vysavačem spárováno. ■ Nabítí dálkového ovládání je nízké. ■ Dálkové ovládání je poškozené. 	<ul style="list-style-type: none"> ■ Spárujte dálkový ovladač s vysavačem podle kapitoly „Párování dálkového ovládání“ v této příručce. ■ Nabijte dálkový ovladač. ■ Použijte nový dálkový ovladač a proveďte jeho spárování.

CZ

ZÁRUKA

ZÁRUČNÍ PODMÍNKY SPOLEČNOSTI EGO

Úplné záruční podmínky společnosti EGO naleznete na webové stránce egopowerplus.eu.

PREČÍTAJTE SI VŠETKY POKYNY!



PREČÍTAJTE SI NÁVOD NA OBSLUHU

VAROVANIE: Pre zaistenie bezpečnosti a spoľahlivosti je nevyhnutné, aby všetky opravy vykonával len kvalifikovaný servisný technik.

BEZPEČNOSTNÉ SYMBOLY

Účelom bezpečnostných symbolov je upozorniť na možné nebezpečenstvá. Venujte príslušnú pozornosť a pochopte bezpečnostné symboly a ich vysvetlenia. Varovné symboly, samy o sebe, nedokážu eliminovať nebezpečenstvo. Pokyny a varovania, ktoré obsahujú, nie sú náhradou za vhodné opatrenia na prevenciu úrazov.

VAROVANIE: Pred použitím tohto stroja si prečítajte a pochopte všetky bezpečnostné pokyny v tomto návode na obsluhu vrátane všetkých bezpečnostných výstražných symbolov ako napríklad „**NEBEZPEČENSTVO**“, „**VAROVANIE**“ a „**UPOZORNENIE**“. Nedodržanie nižšie uvedených pokynov môže mať za následok úraz elektrickým prúdom, požiar a/alebo vážne zranenie.

VÝZNAM SYMBOLU

BEZPEČNOSTNÝ VÝSTRAŽNÝ SYMBOL: Označuje **NEBEZPEČENSTVO**, **VAROVANIE** alebo **UPOZORNENIE**, môže byť použitý spoločne s inými symbolmi alebo piktogramami.

SK

BEZPEČNOSTNÉ POKYNY

Táto strana zobrazuje a popisuje bezpečnostné symboly, ktoré sa objavujú na tomto výrobku. Pred pokusom o zostavenie a prevádzkovanie si prečítajte, pochopte a dodržiavajte všetky pokyny na stroji.



Bezpečnostné upozornenie



Používateľ si musí prečítať návod na obsluhu, aby znížil riziko úrazu.



Odpadové elektrické výrobky sa nesmú likvidovať spolu s domovým odpadom. Odovzdajte do autorizovaného recyklačného strediska.



Jednosmerný prúd



Tento výrobok je v súlade s platnými smernicami ES.



Posúdenie zhody v Spojenom kráľovstve

IPX4 Ochrana pred striekajúcou vodou

L Liter

kg Kilogram

V Volt

°C Celcius

l/min Liter za minútu

Pa Pascal


VAROVANIE: Prečítajte si a pochopte všetky pokyny. Nedodržanie nižšie uvedených pokynov môže mať za následok úraz elektrickým prúdom, požiar a/alebo vážne zranenie.

Toto zariadenie nesmú používať osoby (vrátane detí) so zníženými fyzickými, zmyslovými alebo rozumovými schopnosťami, nedostatkom skúseností a znalostí, ak neboli oboznámené s používaním zariadenia alebo nepracujú pod dohľadom osoby zodpovednej za ich bezpečnosť.

- Dozrite na to, aby sa deti so spotrebičom nehrali.
- Spotrebič ani batériu nevystavujte nadmerným teplotám.
- Dávajte pozor na riziko skratu svoriek batériou napájaného spotrebiča alebo batérie kovovými predmetmi.
- Nabíjateľné batérie je potrebné pred nabíjaním zo spotrebiča vybrať.
- Rôzne typy batérií alebo nové a použité batérie sa nesmú miešať.
- Vybité batérie je potrebné zo spotrebiča vybrať a bezpečne zlikvidovať.
- Ak sa prístroj nebude dlhší čas používať, vyberte batérie.
- Namiesto nabíjateľných batérií nepoužívajte nenabíjateľné batérie.
- Nepoužívajte upravené alebo poškodené batérie.
- **Používajte len s uvedenými akumulátormi a nabíjačkami.**

Odložte si tieto pokyny. Často na ne odkazujte a používajte ich na poučenie ostatných, ktorí môžu tento stroj používať. Ak niekomu požičiate tento stroj, odovzdajte mu aj tieto pokyny, aby sa zabránilo zneužitiu výrobku a prípadnému zraneniu.

TECHNICKÉ ÚDAJE

Napätie	56 V 		
Kapacita prachovej nádoby	34 L		
Režim rýchlosti	Nízke	Vysoké	TURBO
Max. prietok vzduchu (l/min)	1900	2500	3100
Max. Sací výkon (Pa)	10000	15900	24800
Diaľkové ovládanie	Teplota nabíjania	0°C - 45°C	
	Max. nabíjacie napätie	5 V	
	Max. Nabíjací prúd	1 A	
Hmotnosť (bez akumulátora)	12,1 kg		

Odporúčaná prevádzková teplota	-5°C - 40°C
Odporúčaná skladovacia teplota	-20°C - 70°C

OBSAH BALENIA (OBR. A1 A A2)

ODPORÚČANÉ PRÍSLUŠENSTVO

VAROVANIE: Používajte len príslušenstvo uvedené nižšie. Použitie príslušenstva, ktoré nespĺňa špecifikácie originálneho vybavenia, môže viesť k nesprávnemu výkonu a ohrozeniu bezpečnosti.

NÁZOV DIELU	ČÍSLO MODELU
Vrecká na prach (5 ks)	AVG0905
Náhradný filter	AVF0900

POPIS

SPOZNAJTE VÁŠ VYSÁVAČ NA MOKRÉ/SUCHÉ VYSÁVANIE (OBR. A1 A A2)

1. Zostava pohonnej hlavy
2. Rukoväť
3. Úložný priestor pre príslušenstvo
4. Západka prachovej nádoby (x2)
5. Zadné koleso (x2)
6. Prachová nádoba
7. Kolesko s brzdou (x2)
8. Viečko vypúšťacieho otvoru
9. Štrbinová tryska
10. Sací vstupný otvor
11. Ovládací panel
12. Otvory na uskladnenie vysávacej hadice
13. Vyfukovací výstupný otvor
14. Dočasné uloženie príslušenstva
15. Veľká podlahová tryska + keľová lišta
16. Predlžovacie trubice
17. Tlačidlo uvoľnenia akumulátora
18. Tlačidlo samočistiaceho filtra
19. Samočistiaca zátka filtra
20. Vysávacia hadica
21. Tlačidlo na uvoľnenie trubice

22. Regulátor sania
23. Držiak diaľkového ovládania
24. Gumová lišta
25. Vrečko na prach
26. Nabíjaci kábel pre diaľkové ovládanie
27. Diaľkové ovládanie
28. Okrúhla kefová tryska na prach
29. Kompaktná podlahová tryska
30. Adaptér elektrického náradia
31. Hlavný vypínač
32. Tlačidlo štart/stop
33. Tlačidlo rýchlosti
34. Ukazovateľ rýchlosti
35. Tlačidlo TURBO
36. Kontrolka TURBO
37. Filter
38. Držiak filtra
39. Senzor kvapaliny (x4)
40. Držiak vrečka na prach
41. Odtokový otvor

MONTÁŽ

PRIPOJENIE/ODPOJENIE VYSÁVACEJ HADICE

Ak chcete pripojiť, zatlačte koniec hadice do sacieho vstupného otvoru alebo vyfukovacieho výstupného otvoru, kým nebudete počuť „cvaknutie“. (Obr. B1).

Ak chcete odpojiť, stlačte a podržte tlačidlá na uvoľnenie hadice, aby ste hadicu odstránili (obr. B2).

B1-1	Vysávacia hadica	B1-2	Sací vstupný otvor
B1-3	Vyfukovací výstupný otvor	B2-1	Tlačidlá na uvoľnenie trubice

PRIPOJENIE/ODPOJENIE PREDLŽOVACÍCH TRUBÍC (OBR. C)

Pripojte jednu alebo dve predlžovacie trubice k vysávacej hadici podľa vašich potrieb.

Ak chcete pripojiť, zasuňte úzky koniec predlžovacej trubice do vysávacej hadice tak ďaleko, ako je to možné, kým nie je predlžovacia trubica zaistená na mieste.

Ak chcete odpojiť, vytiahnite predlžovaciu trubicu z vysávacej hadice.

Druhá predlžovacia trubica je pripojená/odpojená k prvej trubici rovnakým spôsobom.

C-1	Vysávacia hadica	C-2	Úzky koniec
C-3	Široký koniec	C-4	Predlžovacie trubice

INŠTALÁCIA/DEMONTÁŽ TRYSIEK

Vyberte vhodnú trysku na inštaláciu priamo na vysávaciu hadicu alebo na predlžovaciu trubicu podľa vašich potrieb (obr. D1)

- Ak chcete trysku pripojiť k predlžovacej trubici, vložte trysku do predlžovacej trubice tak ďaleko, ako je to možné, kým nie je zaistená na mieste. Ak chcete odpojiť, vytiahnite trysku z predlžovacej trubice.
- Ak chcete trysku priamo pripojiť k vysávacej hadici, zarovnajete gombík na tryske s drážkou vo vysávacej hadici, nasuňte trysku do vysávacej hadice, kým nebudete počuť „kliknutie“. Ak chcete odpojiť, stlačením a podržaním uvoľňovacieho tlačidla vyberte trysku.

D1-1	Uvoľňovacie tlačidlo	D1-2	Drážka
D1-3	Predlžovacie trubice (voliteľné)	D1-4	Gombík
D1-5	Tryska		

SK

Štrbinová tryska (obr. D2)

Tmavé oblasti sa dajú ľahko vyčistiť pri použití štrbinovej trysky v kombinácii s integrovaným svetlom diaľkového ovládača.

Pripojte štrbinovú trysku k vysávacej hadici a pripevnite diaľkové ovládanie na držiak diaľkového ovládača na vysávacej hadici. Stlačte tlačidlo svetla na diaľkovom ovládači a rozsvieti sa priehľadná štrbinová tryska.

D2-1	Štrbinová tryska	D2-2	Tlačidlo svetla
D2-3	Diaľkové ovládanie		

Adaptér elektrického náradia (obr. D3)

Adaptér elektrického náradia umožňuje pripojenie vysávača k elektrickému náradia s 32 mm výstupom prachu.

Keď je vysávacia hadica pripojená na sací vstupný otvor, vložte adaptér elektrického náradia do vysávača čo najviac, kým nie je adaptér elektrického náradia zaistený na mieste, a potom pripojte adaptér k výstupu prachu z elektrického náradia.

VAROVANIE: Adaptér elektrického náradia nie je možné pripojiť k predlžovacej trubici. Násilná inštalácia

môže spôsobiť poškodenie adaptéra elektrického náradia alebo predžovacej trubice.

D3-1	Elektrické náradie (nie je súčasťou dodávky)	D3-2	Adaptér elektrického náradia
D3-3	Vysávací hadica	D3-4	Sací vstupný otvor

Veľká podlahová tryska + kefová lišta/gumová lišta (obr. D4)

Veľkú podlahovú trysku možno kombinovať s kefovou lištou alebo gumovou lištou.

Mierne otvorte oba konce lišty a stlačte ich nadol, aby ste lištu vybrali z trysky.

Ak chcete lištu nainštalovať, zatlačte konce tyče do otvorov trysky, kým nebudete počuť „kliknutie“.

D4-1	Veľká podlahová tryska	D4-2	Otvory trysky
D4-3	Gumová lišta	D4-4	Konce lišty

PRIPOJENIE/ODPOJENIE ZOSTAVY POHONNEJ HLAVY

SK

Pri **inštalácii** zatlačte spodné časti západiek prachovej nádoby, spustíte zostavu pohonnej hlavy na prachovú nádobu a potom zatlačte horné časti západiek prachovej nádoby. (Obr. E1 a E2).

Na **odstránenie** zatlačte spodné časti prachovej nádoby a potom zdvihnite zostavu pohonnej hlavy (obr. E3).

INŠTALÁCIA/ODSTRÁNENIE VRECKA NA PRACH

1. Uvoľnite prachovú nádobu a zdvihnite zostavu pohonnej hlavy.
2. Pri **inštalácii** vložte do štrbiny držiaka vrečka na prach iba doštičku vrečka na prach, až kým doštička nezapadne na rebrá. Pred zhromažďovaním prachu alebo nečistôt rozložte vrečko na prach ručne (obr. F1).
Ak chcete vrečko na prach **vybrať**, mierne nadvihnite doštičku nad rebrá a potom ho vytiahnite zo štrbiny (obr. F2).

F1-1	Držiak vrečka na prach	F1-2	Otvor
F1-3	Vrečko na prach	F1-4	Doštička
F2-1	Rebrá		

PREVÁDZKA

POUŽITIE

Tento výrobok môžete použiť na tieto uvedené účely:

- Nasávanie kvapalného odpadu alebo suchého prachu pri použití sacieho vstupného otvoru.
- Funguje ako dúchadlo, keď sa používa vyfukovací výstupný otvor.

PRIPOJENIE/ODPOJENIE AKUMULÁTORA

Používajte iba s akumulátormi EGO a nabíjačkami uvedenými na obr. A3.

Ďalšie podrobnosti nájdete v príslušných návodoch pre akumulátory a nabíjačky.

Pred prvým použitím úplne nabite.

Pripojenie

Zarovnajte rebrá akumulátora s montážnymi otvormi a nasuňte akumulátor na vysávač, kým nebudete počuť „cvaknutie“ (obr. G1).

Odpojenie

Stlačte tlačidlo uvoľnenia akumulátora a vytiahnite akumulátor (obr. G2).

G1-1	Montážny otvor	G1-2	Výstupok
G2-1	Tlačidlo uvoľnenia akumulátora		

SPUSTENIE/ZASTAVENIE MOKRÉHO/SUCHÉHO VYSÁVANIA (OBR. H)

Spustenie vysávača

1. Skontrolujte, či je na prachovej nádobe nainštalovaná zostava pohonnej hlavy a či je prachová nádob bezpečne upevnená. Uistite sa, že vysávací hadica, požadované predžovacie trubice a tryska sú správne pripojené.

POZNÁMKA: Vysávač beží iba vtedy, keď je zostava pohonnej hlavy bezpečne pripojená na prachovú nádobu.

2. Nainštalujte akumulátor.
3. Stlačením hlavného vypínača zapnite vysávač.
4. Stlačením tlačidla nastavenia rýchlosti vyberte nízku alebo vysokú rýchlosť a potom stlačením tlačidla štart/stop spustíte vysávač. Alebo stlačením tlačidla TURBO spustíte vysávač priamo na maximálnej rýchlosti.

POZNÁMKA: Rýchlosť je možné nastaviť aj počas vysávania. Viac informácií nájdete v kapitole „**VÝBER rýchlosti**“.

Zastavenie vysávača

- Po dokončení vysávania alebo keď je prachová nádobka plná, stlačte tlačidlo štart/stop, aby ste dočasne zastavili vysávanie.
- Alebo stlačením hlavného vypínača úplne vypnete vysávač.
- Vyberte akumulátor.
- Vyprázdňte prachovú nádobu do vhodnej nádoby alebo odtoku.

POZNÁMKA: Pri opätovnom spustení sa vysávač vráti k predchádzajúcemu aktívnemu nastaveniu bežnej rýchlosti.

Kontrolka hlavného vypínača

Kontrolka hlavného vypínača	Význam	Akcia
Svietiaca zelená	Pohotovostný režim	Nevyžadujú sa žiadne kroky. Vysávač sa automaticky vypne po 1 hodine nečinnosti
	Stroj beží správne.	Normálna prevádzka.
Bliká zelená šesťkrát a potom sa vypne.	Hladina kvapaliny v nádrži dosahuje spodnú špičku snímačov kvapaliny	Zastavte vysávač, vyberte akumulátor a potom vyprázdňte nádrž podľa pokynov na vyprázdňovanie.
Nepretržite svieti zelená	Chyba elektroniky	Kontaktujte zákaznícky servis EGO

VÝBER RÝCHLOSTI

Bežný režim rýchlosti

- Pri každom stlačení tlačidla nastavenia rýchlosti sa rýchlosť prepína medzi nízkou a vysokou úrovňou. Indikátor rýchlosti zobrazuje zelené svetlá zodpovedajúce aktuálnej úrovni rýchlosti.
- Vysávač uloží posledné nastavenie rýchlosti a po opätovnom spustení sa naň vráti.

TURBO REŽIM

- Stlačte tlačidlo TURBO, kontrolka TURBO sa rozsvieti na zeleno a vysávač začne pracovať priamo na rýchlosť TURBO, t. j. na najvyššiu rýchlosť.
- V režime TURBO znova stlačte tlačidlo TURBO alebo stlačte tlačidlo nastavenia rýchlosti, tlačidlo štart/stop alebo hlavný vypínač - kontrolka TURBO sa vypne a

vysávač ukončí režim TURBO.

POZNÁMKA: Po ukončení režimu TURBO sa vysávač vráti k predchádzajúcej aktívnej bežnej rýchlosti.

REGULÁTOR SANIA (obr. I)

Pri vysávaní je možné prúdenie vzduchu na konci vysávacej hadice ovládať otáčaním regulátora sania. Otočte regulátor, aby ste odkryli výstup vzduchu, aby ste znížili sací výkon, alebo otočte regulátor tak, aby zakryl výstup vzduchu, aby ste zvýšili sanie.

Táto funkcia je obzvlášť užitočná, keď je vysávacia hadica utesnená kobercami, handričkami atď. Počas vysávania otočte regulátor, aby ste otvorili výstup vzduchu, sací výkon sa zníži.

I-1	Regulátor sania	I-2	Výstup vzduchu
-----	-----------------	-----	----------------

DIALKOVÉ OVLÁDANIE

- Dialkový ovládač by mohol byť počas vysávania umiestnený na vysávacej hadici (obr. J1).
- Keď je vysávač zapnutý, môžete pomocou diaľkového ovládača spustiť/zastaviť vysávač alebo prepnúť zariadenie do režimu TURBO.

POZNÁMKA: Dialkové ovládanie nemôže prepínať medzi bežnou nízkou alebo vysokou rýchlosťou.

- Dialkové ovládanie môže byť tiež použité ako baterka pre tmavé oblasti, najmä pri použití štrbinovej trysky.

Párovanie diaľkového ovládača (obr. J2)

Dialkové ovládanie bolo s vysávačom spárované už z výroby. Ak je však diaľkový ovládač poškodený alebo stratený, postupujte podľa nasledujúcich krokov a spárujte nový diaľkový ovládač s vysávačom.

- Nainštalujte akumulátor.
- Stlačením hlavného vypínača zapnite vysávač.
- Dlho stláčajte tlačidlo štart/stop na vysávači, kým kontrolka hlavného vypínača pomaly neblíka zelenou farbou.
- Stlačte tlačidlo TURBO alebo tlačidlo štart/stop na diaľkovom ovládači hneď, ako začne kontrolka hlavného vypínača pomaly blikať na zeleno.
- Kontrolka hlavného vypínača bude rýchlo blikať zelenou farbou a potom svietiť stále zelenou farbou, čo znamená, že spárovanie prebehlo úspešne.

SK

Kontrolka diaľkového ovládania

Kontrolka diaľkového ovládania	Význam	Akcia
Rýchlo blikajúca zelená	Batéria diaľkového ovládania je takmer vybitá.	Nabite diaľkové ovládanie.
Pomaly blikajúca zelená	Diaľkové ovládanie sa nabíja	Nie je potrebná žiadna akcia.
Svietiaca zelená	Nabíjanie diaľkového ovládača je ukončené.	Odpojte diaľkové ovládanie a nabíjací kábel od napájania.

POZNÁMKA: Počas normálnej prevádzky sa kontrolka diaľkového ovládača raz rozsvieti a potom sa vypne, keď sa raz stlačí tlačidlo TURBO alebo tlačidlo štart/stop.

Nabíjanie diaľkového ovládača (obr. J3)

Pravidelne bude potrebné nabíjať batériu vo vnútri diaľkového ovládača.

VAROVANIE: V prípade tejto nabíjateľnej lítium-iónovej batérie vo vnútri diaľkového ovládača dbajte na nasledujúce informácie:

- Nebezpečenstvo požiaru a popálenia.
- Neotvárajte, nedrvtvte, nezahrievajte nad 60 °C ani nespáľujte.
- Neskratujte.
- Ak sa výrazne vydúva, prestaňte ju používať.

1. Otvorte kryt USB-C portu.
2. Pripojte koncovku USB-C dodaného nabíjacieho kábla k USB-C portu v diaľkovom ovládači.
3. Druhý koniec nabíjacieho kábla pripojte ku kompatibilnému napájaciemu adaptéru/nabíjačke USB (nie je súčasťou dodávky). Nabíjanie úplne vybitej batérie môže trvať až 2 hodiny.
4. Po dokončení nabíjania odpojte nabíjací kábel a zatvorte kryt USB-C portu, aby ste ho ochránili pred znečistením.

J3-1	Kryt USB-C portu	J3-2	USB-C port
J3-3	Nabíjací kábel		

PRÁCA S VYSÁVAČOM

Mokrý vysávanie

- Nepoužívajte vrecko na prach počas mokrého vysávania.

- Vypnite vysávač ihneď, keď je prachová nádoba plná. Vyprázdnite prachovú nádobu do vhodnej nádoby alebo odtoku.

- Pravidelne čistite vnútro prachovej nádoby, filter a príslušenstvo, častejšie, keď sa používa na vysávanie mokrých, lepkavých materiálov.

Suché vysávanie

- Po mokrom vysávaní sa uistite, že je filter úplne suchý, alebo použite druhý suchý filter na suché vysávanie. Vlhké alebo mokré filtre sa zanášajú prachom alebo plesnivujú.
- Ak chcete znížiť vystavenie prachu oxidu kremičitého, použite vrecko na prach.
- Vypnite vysávač ihneď, keď je vrecko na prach alebo prachová nádoba plná.
- Vyprázdnite prachovú nádobu do vhodnej nádoby alebo odtoku.

Prevádzka dýchadla

VAROVANIE: Pri používaní tohto stroja ako dýchadla vždy používajte ochranu očí.

VAROVANIE: Nevyfukujte horľavé alebo vznetlivé materiály, ako je benzín, ani nepoužívajte v priestoroch, kde sa takéto materiály môžu nachádzať. Môže dôjsť k požiaru.

VAROVANIE: Nesmerujte prúdenie vzduchu na ľudí alebo domácich miláčikov.

ÚDRŽBA

VAROVANIE: Aby nedošlo k vážnemu zraneniu, tak pred vykonávaním údržby, čistením, výmenou príslušenstva alebo odstraňovaním materiálu z výrobku vyberte akumulátor z náradia.

VŠEOBECNÁ ÚDRŽBA

Na čistenie plastových dielov nepoužívajte rozpúšťadlá. Väčšina plastov je náchylná na poškodenie rôznymi typmi komerčných rozpúšťadiel a môžu sa poškodiť, ak sa rozpúšťadlá použijú. Použite čistú handru na odstránenie nečistôt, prachu, oleja, maziva, atď.

VAROVANIE: Nikdy nedovoľte, aby sa brzdné kvapaliny, benzín, ropné výrobky, penetračné oleje atď. dostali do kontaktu s plastovými časťami. Chemické látky môžu poškodiť, oslabiť alebo zničiť plast, čo môže viesť k vážnemu zraneniu.

VAROVANIE: Aby ste znížili riziko požiaru, zranenia osôb a poškodenia výrobku v dôsledku skratu, nikdy neponárajte váš stroj, akumulátor alebo nabíjačku do tekutiny a nedovoľte, aby do nich pretiekla tekutina.

Korozívne alebo vodivé kvapaliny, ako je morská voda, určité priemyselné chemikálie a bielidlá alebo výrobky obsahujúce bielidlá atď., môžu spôsobiť skrat.

VYPRÁZDNENIE PRACHOVEJ NÁDOBY

1. Odstráňte uzáver odtokového otvoru, aby ste vyprázdнили kvapalinu v prachovej nádobe do vhodnej nádoby alebo odtoku, ak je k dispozícii.
2. Odstráňte zostavu pohonnej hlavy z prachovej nádoby.
3. Ak je vrecko na prach nainštalované, odstráňte vrecko na prach.
4. Odstráňte všetky nečistoty alebo odpad z prachovej nádoby a vyčistíte jemným mydlom a vodou.
5. Pred opätovnou montážou zostavy pohonnej hlavy nechajte prachovú nádobu vyschnúť.

ÚDRŽBA FILTRA

Samočistiaci systém filtra

1. Pripojte vysávaciu hadicu na sací vstupný otvor a druhý koniec hadice namontujte na samočistiacu zátku filtra (obr. K1).
2. Nainštalujte akumulátor, stlačením hlavného vypínača zapnite zariadenie.
3. Vyberte požadovaný režim rýchlosti a stlačením tlačidla štart/stop zapnite zariadenie.
4. Stlačením tlačidla samočistiaceho filtra vyčistíte filter (obr. K2).

TIPY: Na dosiahnutie najlepšieho čistiaceho účinku sa odporúča zvoliť režim TURBO a päťkrát stlačiť tlačidlo samočistiaceho filtra a zakaždým ho podržať 3 sekundy.

K1-1	Sací vstupný otvor	K1-2	Vysávaciu hadicu
K1-3	Samočistiaca zátko filtra	K2-1	Tlačidlo samočistiaceho filtra

Umývanie filtra

Vyberte akumulátor a skontrolujte filter zdvihnutím zostavy pohonnej hlavy. Ak je filter stále znečistený po vykonaní krokov v časti „Samočistiaci systém filtra“, vyberte filter a opláchnite ho studenou vodou. Nechajte filter úplne vyschnúť a znova ho nainštalujte.

Výmena filtra (obr. L1 a L2)

VAROVANIE: Pravidelne kontrolujte filter a vymeňte ho, ak je opotrebovaný alebo poškodený. Použitie poškodeného filtra môže viesť k uvoľneniu nežiaducich nečistôt do vzduchu z nádoby.

1. Zdvihnite zostavu pohonnej hlavy a položte ju na jednu stranu (obr. L1).

2. Odklopte rukoväť držiaka filtra a vytiahnite držiak s filtrom (obr. L2).
3. Použite vlhký kus látky na odstránenie prachu a nečistôt z oblasti filtra.
4. Nainštalujte nový alebo vyčistený filter do držiaka.
5. Umiestnite držiak do oblasti filtra a sklopte rukoväť.

L1-1	Rukoväť	L1-2	Držiak filtra
------	---------	------	---------------

USKLADNENIE VYSÁVAČA

1. Vyberte akumulátor z vysávača.
2. Pred uskladnením vysávača dôkladne vyčistite.
3. Vysávač skladujte na suchom, dobre vetranom mieste, uzamknutý alebo vysoko, mimo dosahu detí. Vysávač neskladujte na hnojivách, benzíne alebo iných chemikáliách, ani v ich blízkosti.

OCHRANA ŽIVOTNÉHO PROSTREDIA



Nevyhadzujte elektrické zariadenia, nabíjačku a použité akumulátory do domového odpadu! Tento výrobok odneste na autorizované recyklačné miesto a poskytnite ho na separovaný zber. Elektrické náradie sa musí odovzdať do príslušného zariadenia na ekologickú šetrnú recykliáciu.

SK

ODSTRÁŇOVANIE PORÚCH

PROBLÉM	PRÍČINA	RIEŠENIE
Vysávač sa nespustí.	<ul style="list-style-type: none"> ■ Nabitie akumulátora je nízke. ■ Akumulátor nie je správne nainštalovaný. 	<ul style="list-style-type: none"> ■ Nabite akumulátor. ■ Akumulátor zasuňte do vysávača, až kým nezapadne do svojej polohy.
Sací výkon je slabý	<ul style="list-style-type: none"> ■ Vo vysávacej hadici alebo v sacom vstupe je prekážka. ■ Filter je upchatý jemným prachom. ■ Prachová nádoba je plná. ■ Nabitie akumulátora je nízke. ■ Viečko vypúšťacieho otvoru sa odstráni z prachovej nádoby. 	<ul style="list-style-type: none"> ■ Skontrolujte a odstráňte upchatie vysávacej hadice alebo sacieho vstupu. ■ Filter vyčistite podľa časti „ÚDRŽBA FILTRA“ v tejto príručke. ■ Vyprázdnite prachovú nádobu. ■ Nabite akumulátor ■ Namontujte uzáver vypúšťacieho otvoru na prachovú nádobu.
Stroj beží, ale nedochádza k vysávaniu.	<ul style="list-style-type: none"> ■ Zostava pohonnej hlavy nie je úplne nainštalovaná na prachovú nádobu. 	<ul style="list-style-type: none"> ■ Uistite sa, že zostava pohonnej hlavy je úplne nainštalovaná na prachovú nádobu.
Z vyfukovacieho výstupného otvoru uniká prach.	<ul style="list-style-type: none"> ■ Filter chýba alebo je nainštalovaný nesprávne. ■ Filter je poškodený. 	<ul style="list-style-type: none"> ■ Skontrolujte správnu inštaláciu filtra. ■ Vymeňte filter za nový.
Vysávač nie je možné ovládať prostredníctvom diaľkového ovládania.	<ul style="list-style-type: none"> ■ Diaľkové ovládanie nie je spárované s vysávačom. ■ Nabitie diaľkového ovládača je nízke. ■ Diaľkové ovládanie je poškodené. 	<ul style="list-style-type: none"> ■ Spárujte diaľkové ovládanie s vysávačom podľa kapitoly „Párovanie diaľkového ovládania“ v tejto príručke. ■ Nabite diaľkové ovládanie. ■ Použite nové diaľkové ovládanie a vykonajte párovanie diaľkového ovládača.

SK

ZÁRUKA

ZÁRUČNÁ POLITIKA EGO

Úplné znenie záručných podmienok EGO nájdete na webovej stránke egopowerplus.eu.

OLVASSA EL AZ ÖSSZES UTASÍTÁST!



OLVASSA EL A HASZNÁLATI ÚTMUTATÓT

▲ FIGYELMEZTETÉS: A biztonságosság és megbízhatóság biztosítása érdekében minden javítást szakképzett szerviztechnikusnak kell elvégeznie.

BIZTONSÁGI SZIMBÓLUMOK

A biztonsági szimbólumok célja, hogy felhívják a figyelmet az esetleges veszélyekre. Nagyon figyeljen a biztonsági szimbólumokra és magyarázatokra, ill. ezek megértésére. A szimbólumok figyelmeztetési önmagukban nem hárítják el a veszélyeket. Az utasítások és figyelmeztetések nem helyettesítik a megfelelő balesetmegelőző intézkedéseket.

▲ FIGYELMEZTETÉS: A gép használata előtt feltétlenül olvassa el és értse meg a jelen kezelési útmutatóban található valamennyi biztonsági utasítást, valamint a „VESZÉLY”, „FIGYELMEZTETÉS” és „FIGYELEM” biztonsági figyelmeztető szimbólumokat is. Az alább felsorolt utasítások be nem tartása áramütést, tűzveszélyt és/vagy súlyos személyi sérülést idézhet elő.

SZIMBÓLUM JELENTÉSE

▲ BIZTONSÁGI SZIMBÓLUM: A következőket jelöli: **VESZÉLY**, **FIGYELMEZTETÉS** vagy **FIGYELEM**, és más szimbólumokkal vagy rajzokkal együtt használható.

BIZTONSÁGI ELŐÍRÁSOK

Ezen az oldalon olyan biztonsági szimbólumok láthatók és olvashatók, amelyek megjelenhetnek a terméken. Az összeszerelés vagy működtetés előtt olvassa el, értse meg és tartsa be a gép minden utasítását.

HU



Biztonsági figyelmeztetés



A sérülések kockázatának csökkentése érdekében a használónak el kell olvasnia a használati útmutatót.



Az elhasznált elektromos termékek nem helyezhetők a háztartási hulladékok közé. Vigye hivatalos újrahasznosító telephelyre.



Egyenáram



A termék megfelel az érvényes EK irányelveknek.



Az Egyesült Királyság szerinti megfelelés értékelve

IPX4 Fröccsenő víz elleni védelem

L Liter

kg Kilogramm

V Volt

°C Celsius

L/min Liter/perc

Pa Pascal


▲ FIGYELMEZTETÉS: Olvassa el és értse meg az utasításokat. Az alább felsorolt utasítások be nem tartása áramütést, tűzveszélyt és/vagy súlyos személyi sérülést idézhet elő.

Ezt a berendezést nem használhatják olyan személyek (gyermekeket is beleértve), akik csökkent fizikai, érzékszervi vagy szellemi képességekkel rendelkeznek, vagy nem rendelkeznek kellő belátással és tudással, kivéve azt az esetet, ha az említett személyek a biztonságukért felelős személy felügyelete alatt állnak, vagy ilyen személytől kaptak utasítást a berendezés használatára vonatkozóan.

- A gyermekeket mindig felügyelni kell, hogy ne játszhassanak a készülékkel.
- Ne engedje, hogy szélsőséges hőmérsékletek ériék a készüléket vagy az akkumulátort.
- Legyen tisztában azzal a veszéllyel, hogy az akkumulátorral működő készülék vagy az akkumulátor csatlakozóit fémtárgyak rövidre zárhatják.
- Az újratölthető akkumulátorokat töltés előtt ki kell venni a készülékből.
- Nem szabad együtt használni különböző fajtájú, vagy új és használt elemeket.
- A lemerült akkumulátorokat ki kell venni a készülékből, és biztonságosan kell ártalmatlanítani őket.
- Ha a készüléket használaton kívül hosszabb ideig tárolja, akkor az akkumulátorokat ki kell venni.
- Ne használjon nem újratölthető elemeket az újratölthető akkumulátorok helyett.
- Ne használjon módosított vagy sérült akkumulátorokat.
- **Csak a meghatározott akkumulátorokkal és töltőkkel használható**

Őrizze meg ezt az útmutatót. Időnként olvassa át, és használja, amikor másokat betanít a gép használatára. Ha valakinek kölcsön adja ezt a gépet, akkor adja át a használati utasítást is a helytelen használat és lehetséges sérülések elkerülése érdekében.

JELLEMZŐK

Feszültség	56 V 		
Porgyűjtő tartály kapacitása	34 L		
Sebesség üzemmód	Alacsony	Magas	TURBO
Max. Levegőáramlás (l/perc)	1900	2500	3100
Max. Szívóerő (Pa)	10000	15900	24800

Távirányító	Töltési hőmérséklet	0°C - 45°C
	Max. Töltési feszültség	5 V
	Max. Töltési áram	1 A
Súly (akkumulátoregység nélkül)		12,1 kg
Javasolt üzemi hőmérséklet		-5°C - 40°C
Javasolt tárolási hőmérséklet		-20°C - 70°C

A CSOMAG TARTALMA (A1 ÉS A2 ÁBRA)

JAVASOLT TARTOZÉKOK

▲ FIGYELMEZTETÉS: Csak az alábbiakban felsorolt tartozékokat használja. Az olyan tartozékok használata, amelyek nem felelnek meg az eredeti eszköz műszaki adatainak, nem megfelelő teljesítményt eredményez, és befolyásolja a biztonságot.

ALKATRÉSZ NEVE	MODELLSZÁM
Porzsák (5 db)	AVG0905
Csereszűrő	AVF0900

LEÍRÁS

ISMERJE MEG A NEDVES/SZÁRAZ PORSZÍVÓZÁST (A1 ÉS A2 ÁBRA)

1. Motorfej egység
2. Fogantyú
3. Tartozéktároló rekesz
4. Porgyűjtő tartály retesz (x2)
5. Hátsó kerék (x2)
6. Porgyűjtő tartály
7. Fékes görgőkerék (x2)
8. Leeresztőnyílás sapka
9. Réstisztító fej
10. Szívó bemeneti nyílás
11. Kezelőpanel
12. Porszívótömlő tároló nyílások

13. Kifúvó nyílás
14. Tartozék ideiglenes tároló helye
15. Nagy padlótisztító fej + kefés szívófej
16. Hosszabbító csövek
17. Akkumulátor kioldógomb
18. Szűrő öntisztító gomb
19. Szűrő öntisztító dugó
20. Porszívó tömlő
21. Csőkioldó gomb
22. Szívásszabályozó
23. Távirányító tartó
24. Gumirúd
25. Porgyűjtő zsák
26. Töltőkábel a távirányítóhoz
27. Távirányító
28. Kerek kevés szívófej
29. Kompakt padlótisztító fej
30. Adapter elektromos szerszámoz
31. Főkapcsoló gomb
32. Start/stop gomb
33. Sebesség gomb
34. Sebességjelző
35. TURBO gomb
36. TURBO jelzőlámpa
37. Szűrő
38. Szűrőkonzol
39. Folyadékérzékelő (x4)
40. Porgyűjtőzsák tartó
41. Leeresztőnyílás

ÖSSZESZERELÉS

A PORSZÍVÓ TÖMLŐ CSATLAKOZTATÁSA/ LEVÁLASZTÁSA

A **csatlakoztatáshoz** nyomja a tömlő végét a szívónyílásba vagy a fúvónyílásba, amíg „kattanást” nem hall (B1 ábra).

A **leválasztáshoz** nyomja meg és tartsa lenyomva a tömlőkioldó gombokat a tömlő eltávolításához (B2 ábra).

B1-1	Porszívó tömlő	B1-2	Szívó bemeneti nyílás
B1-3	Kifúvó nyílás	B2-1	Csőkioldó gombok

A HOSSZABBÍTÓ CSÖVEK CSATLAKOZTATÁSA/ LEVÁLASZTÁSA (C ÁBRA)

Csatlakoztasson egy vagy két hosszabbító csövet a porszívó tömlőhöz az igényeinek megfelelően.

A **csatlakoztatáshoz** dugja a hosszabbító cső keskeny végét a porszívó tömlőbe, amennyire csak lehet, amíg a hosszabbító cső a helyén nem rögzül.

A **leválasztáshoz** húzza ki a hosszabbító csövet a porszívó tömlőből.

A második hosszabbító cső ugyanígy csatlakoztatható/ választható le az első csőből.

C-1	Porszívó tömlő	C-2	Keskeny vég
C-3	Széles vég	C-4	Hosszabbító csövek

A FEJEK FELHELYEZÉSE/ELTÁVOLÍTÁSA

Válassza ki a megfelelő fejet, amelyet igényei szerint közvetlenül a porszívó tömlőre vagy a hosszabbító csőre szerelhet (D1 ábra)

- Ahhoz, hogy a fejet a hosszabbító csőhöz csatlakoztassa, dugja be a fejet a hosszabbító csőbe, ameddig csak lehet, amíg a helyére nem rögzül. A leválasztáshoz húzza ki a fejet a hosszabbító csőből.
- Ahhoz, hogy közvetlenül csatlakoztassa a fejet a porszívó tömlőhöz, igazítsa a fejen lévő gombot a porszívó tömlőn lévő horonyhoz, és helyezze a fejet a porszívó tömlőbe, amíg „kattanást” nem hall. A leválasztásnál nyomja meg és tartsa lenyomva a kioldó gombot a fej eltávolításához.

D1-1	Kioldó gomb	D1-2	Horony
D1-3	Hosszabbító csövek (opcionális)	D1-4	Gomb
D1-5	Fej		

Réstisztító fej (D2 ábra)

A sötét területek könnyen megtisztíthatók a réstisztító fej és a távirányító beépített fényének használatával.

Csatlakoztassa a réstisztító fejet a porszívó tömlőhöz, és pattintsa a távirányítót a porszívó tömlőn lévő távirányító tartóra. Nyomja meg a távirányító világítás gombját, és az átlátszó réstisztító fej világitani fog.

D2-1	Réstisztító fej	D2-2	Világítás gomb
D2-3	Távirányító		

HU

Adapter elektromos szerszámhoz (D3 ábra)

Az adapter lehetővé teszi a porszívó csatlakoztatását 32 mm-es pórelszívó nyílással rendelkező elektromos szerszámhoz.

Miközben a porszívó tömlője a porszívó szívónyílásához csatlakozik, dugja be az adaptert a porszívóba, amennyire csak tudja, amíg az adapter a helyén nem rögzül, majd csatlakoztassa az adaptert a szerszám pórelszívó nyílásához.

▲ FIGYELMEZTETÉS: Az adapter nem csatlakoztatható a hosszabbító csőhöz (csövekhez). Ha erőlteti a beszerelést, az adapter vagy a hosszabbító cső (csövek) sérülését okozhatja.

D3-1	Elektromos szerszám (nem tartozék)	D3-2	Adapter elektromos szerszámhoz
D3-3	Porszívó tömlő	D3-4	Szívó bemeneti nyílás

Nagy padlótisztító fej + kefék szívófej/gumirúd (D4 ábra)

A nagy padlótisztító fej kombinálható a kefék szívófejjel vagy a gumirúddal.

Kissé nyissa ki a rúd mindkét végét, és nyomja le a végeket, hogy eltávolítsa a rudat a fejből.

A rúd felhelyezéséhez nyomja a rúd végeit a fej nyílásába, amíg „kattanást” nem hall.

D4-1	Nagy padlótisztító fej	D4-2	A fej nyílásai
D4-3	Gumirúd	D4-4	A rúd végei

A MOTORFEJ FELSZERELÉSE/ELTÁVOLÍTÁSA

A **beszereléshez** nyomja meg a porgyújtó tartály reteszelésének alsó részeit, engedje le a motoros fejegységet a porgyújtó tartályra, majd nyomja meg a porgyújtó tartály reteszelésének felső részeit (E1 és E2 ábra).

Az **eltávolításhoz** nyomja meg a porgyújtó tartály alsó részeit, majd emelje fel a motorfejegységet (E3 ábra).

A PORGYÚJTÓ ZSÁK BEHELYEZÉSE/ELTÁVOLÍTÁSA

- Oldja ki a porgyújtó tartályt, és emelje fel a motorfej egységet.
- A **beszereléshez** csak a porgyújtó zsák lemezét helyezze addig a porgyújtó zsák tartójának nyílásába, amíg a lemez le nem esik a bordákba. A porgyújtó zsákot a por vagy törmelék összegyűjtése előtt kézzel hajtja szét (F1 ábra).

Az **eltávolításhoz** enyhén emelje a lemezt a bordák fölé, majd húzza ki a lemezt a nyílásból a porgyújtó zsák eltávolításához (F2 ábra).

F1-1	Porgyújtózsák tartó	F1-2	Nyílás
F1-3	Porgyújtó zsák	F1-4	lemez
F2-1	Bordák		

HASZNÁLAT

ALKALMAZÁS

A terméket az alább felsorolt célokra használhatja:

- Folyékony hulladék vagy száraz por beszívása a szívó bemeneti nyílás használatakor.
- Fűvöként funkcionál, ha a fűvó kimeneti nyílást használják.

AZ AKKUMULÁTOREGYSÉG BERAKÁSA/ KIVÉTELE

Csak az A3 ábrán felsorolt EGO akkumulátoregységeket és töltőket használja.

További részletekért tekintse meg a megfelelő akkumulátoregységek és töltők kézikönyvét.

Az első használat előtt teljesen töltsse fel.

Csatlakoztatás

Illessze az akkumulátor bordázatát az akkumulátorban lévő szerelőnyílásokhoz, és csúsztassa az akkumulátoregységet a porszívóra, amíg kattanást nem hall (G1 ábra).

Leválasztás

Nyomja le az akkumulátor kioldógombját, és húzza ki az akkumulátoregységet (G2 ábra).

G1-1	Szerelőnyílás	G1-2	Perem
G2-1	Akkumulátor kioldógomb		

A NEDVES/SZÁRAZ PORSZÍVÁS INDÍTÁSA/ LEÁLLÍTÁSA (H ÁBRA)

A porszívás elindítása

- Ellenőrizze, hogy a motorfej egység fel van-e szerelve a porgyújtó tartályra, és a porgyújtó tartály biztonságosan rögzítve van-e. Győződjön meg róla, hogy a porszívó tömlő, a szükséges hosszabbító cső (csövek) és a fej megfelelően csatlakoztatva van.

MEGJEGYZÉS: A porszívó csak akkor működik, ha a motorfej egység biztonságosan csatlakozik a porgyűjtő tartályhoz.

2. Helyezze be az akkumulátoregységet.
3. Nyomja meg a főkapcsoló gombot a porszívó bekapcsolásához.
4. Nyomja meg a sebességbeállító gombot az alacsony vagy magas sebesség kiválasztásához, majd nyomja meg a start/stop gombot a porszívó elindításához. Vagy nyomja meg a TURBO gombot, hogy a porszívózást közvetlenül maximális sebességgel indítsa el.

MEGJEGYZÉS: A sebesség porszívózás közben is beállítható. További információkra vonatkozóan lásd a **"SEBESSÉG KIVÁLASZTÁSA"** című fejezetet.

A porszívózás leállítása

1. A porszívózás befejezése után, vagy ha a portartály megtelt, nyomja meg a start/stop gombot a porszívó ideiglenes leállításához.
2. Vagy nyomja meg a főkapcsoló gombot a porszívó teljes kikapcsolásához.
3. Vegye le az akkumulátoregységet.
4. Ürítse ki a porgyűjtő tartályt egy megfelelő tartályba vagy a lefolyóba.

MEGJEGYZÉS: A porszívó újraindításkor a korábban aktív normál sebességbeállításra áll vissza.

Főkapcsoló gomb jelzőfény

Főkapcsoló gomb jelzőfény	Jelentés	Művelet
Folyamatos zöld	Készenlét	Nincs szükség intézkedésekre. A porszívás 1 óra inaktivitás után automatikusan kikapcsol
	A gép megfelelően működik.	Normál működés.
6-szor zöld villantás, majd kikapcsolás.	A tartályban lévő folyadék szintje eléri a folyadékérzékelők alsó csúcását	Állítsa le a porszívást, vegye ki az akkumulátort, majd ürítse ki a tartályt az ürítési utasítás szerint.
Folyamatosan villogó zöld	Elektronikai hiba	Segítségért forduljon az EGO ügyfélszolgálatához

SEBESSÉG KIVÁLASZTÁSA

Normál sebességű üzemmód

- Minden alkalommal, amikor a sebességbeállító gombot megnyomja, a sebesség az alacsony és a magas szint között váltakozik. A sebességjelző az aktuális sebességszintnek megfelelő zöld fényvel világít.
- A porszívó elmenti az utolsó sebességbeállítást, és újraindításkor visszaállítja azt.

TURBO MÓD

- Nyomja meg a TURBO gombot, a TURBO jelzőfény zölden világít, és a vákuum közvetlenül TURBO sebességgel, azaz a legnagyobb sebességgel kezd el működni.
- Ha TURBO üzemmódban van, nyomja meg újra a TURBO gombot, vagy nyomja meg a sebességbeállító gombot, a start/stop gombot vagy a főkapcsoló gombot - a TURBO jelzőfény kialszik, és a porszívó kilép a TURBO üzemmódból.

MEGJEGYZÉS: A TURBO üzemmódból való kilépés után a porszívás visszaáll a korábban aktív normál sebességre.

SZÍVÁSSZABÁLYOZÓ (I ábra)

Porszívózáskor a porszívó tömlő végén lévő levegőáramlás a szívásszabályozó elforgatásával szabályozható. A szívóerő csökkentéséhez fordítsa el a szabályozót úgy, hogy a levegőkivezetőt kinyissa, vagy a szívóerő növeléséhez fordítsa el a szabályozót úgy, hogy a levegőkivezető nyílást lefedje.

Ez a funkció különösen akkor hasznos, ha a porszívó tömlőt szőnyegek, ruhák stb. zárják el szívás közben, fordítsa el a szabályozót, hogy a levegő kimenetét kinyissa, a szívás ereje csökken.

I-1	Szívásszabályozó	I-2	Légkimeneti nyílás
-----	------------------	-----	--------------------

TÁVIRÁNYÍTÓ

- A távirányítót porszívózás közben a porszívó tömlőre lehet helyezni (J1 ábra).
- Amikor a porszívó be van kapcsolva, a távirányítóval elindíthatja/leállíthatja a porszívót, vagy TURBO üzemmódba kapcsolhatja a gépet.

MEGJEGYZÉS: A távirányító nem tud váltani a normál ki vagy nagy sebesség között.

- A távirányító zseblámpaként is használható sötét helyeken, különösen a réstisztító fej használatakor.

Távírányító párosítása (J2 ábra)

A távírányító gyárilag van párosítva a porszívóval. Abban az esetben azonban, ha a távírányító megsérült vagy elveszett, kövesse az alábbi lépéseket az új távírányító és a porszívó párosításához.

1. Helyezze be az akkumulátoregységet.
2. Nyomja meg a főkapcsoló gombot a porszívó bekapcsolásához.
3. Nyomja meg hosszan a porszívó start/stop gombját, amíg a főkapcsoló gomb jelzőfénye lassan zöld színnel villog.
4. Nyomja meg a TURBO gombot vagy a távírányító start/stop gombját, amint a főkapcsoló gomb jelzőfénye lassan, zölden villogni kezd.
5. A főkapcsoló gomb jelzőfénye gyorsan, zöld színnel villog, majd folyamatosan zöld színnel világít, jelezve, hogy a párosítás sikeres volt.

Távírányító jelzőfény

Távírányító jelzőfény	Jelentés	Művelet
Gyors, zöld villogás	A távírányító akkumulátora majdnem lemerült.	Töltse fel a távírányítót.
Lassú, zöld villogás	A távírányító töltés alatt van	Nem szükséges művelet.
Folyamatos zöld	A távírányító töltése befejeződött.	Húzza ki a távírányítót és a töltőkábelt az áramforrásból.

MEGJEGYZÉS: Normál működés közben a távírányító jelzőfénye egyszer világít, majd kialszik, amikor a TURBO gombot vagy a start/stop gombot egyszer megnyomja.

A távírányító töltése (J3 ábra)

A távírányítóban lévő akkumulátort időnként fel kell tölteni.

FIGYELMEZTETÉS: A távírányítóban található újratölthető Li-ion akkumulátorral kapcsolatban kérjük, vegye figyelembe az alábbiakat:

- Tűz- és égésveszély.
 - Nem szabad felnyitni, összetörni, 60 °C fölé melegíteni vagy elégetni.
 - Ne zárja rövidre.
 - Ha erősen kidudorodik, hagyja abba a használatát.
1. Nyissa fel az USB-C port fedelét.
 2. Csatlakoztassa a tartozék töltőkábel USB-C végét a távírányító USB-C csatlakozójához.

3. Csatlakoztassa a töltőkábel másik végét egy kompatibilis USB hálózati adapterhez/töltőhöz (nem tartozék). A teljesen lemerült akkumulátor feltöltése akár 2 órát is igénybe vehet.
4. Ha befejezte a töltést, húzza ki a töltőkábelt, és zárja le az USB-C port fedelét, hogy megvédje az USB-C portot a szennyeződésektől.

J3-1	USB-C port fedele	J3-2	USB-C port
J3-3	Töltőkábel		

PORSZÍVÓZÁS

Nedves porszívózás

- Ne használja a porgyűjtő zsákokat nedves porszívózás közben.
- Ha a porgyűjtő tartály megtelt, azonnal kapcsolja ki a porszívót. Ürítse ki a porgyűjtő tartályt egy megfelelő tartályba vagy a lefolyóba.
- Rendszeresen tisztítsa meg a porgyűjtő tartály belsejét, a szűrőt és a tartozékokat, gyakrabban, ha nedves, ragadós anyagok felszedésére használják.

Száraz porszívózás

- Nedves porszívózás után győződjön meg róla, hogy a szűrő teljesen száraz, vagy használjon egy második száraz szűrőt száraz porszívózáshoz. A nedves vagy vizes szűrők eltömődnek a porral vagy megpenészednek.
- A szilícium-dioxid pornak való kitettség csökkentése érdekében használjon porgyűjtő zsákokat.
- Ha a porgyűjtő zsák vagy a porgyűjtő tartály megtelt, azonnal kapcsolja ki a porszívót.
- Ürítse ki a porgyűjtő tartályt egy megfelelő tartályba vagy a lefolyóba.

A fűvő működése

FIGYELMEZTETÉS: Mindig viseljen szemvédőt, ha ezt a gépet fűvóként használja.

FIGYELMEZTETÉS: Ne fűjjon gyúlékony vagy éghető anyagokat, például benzint, és ne használja olyan területeken, ahol ilyen anyagok jelen lehetnek. Tűz keletkezhet.

FIGYELMEZTETÉS: Ne irányítsa a légáramot emberek vagy háziállatok felé.

KARBANTARTÁS

FIGYELMEZTETÉS: A súlyos személyi sérülések elkerülése érdekében távolítsa el az akkumulátoregységet

a készülékből szervizelés, tisztítás, tartozékok cseréje vagy anyagok szerszámból való eltávolítása közben.

ÁLTALÁNOS KARBANTARTÁS

A műanyag alkatrészek tisztításához ne használjon oldószereket. A legtöbb műanyag különböző vegyi oldószerek hatására károsodik, ezek megrongálhatják őket. Használjon tiszta ruhát a szennyeződés, por, olaj, zsír, stb. eltávolításához.

▲ FIGYELMEZTETÉS: Soha ne engedje, hogy fékolaj, benzin, petróleum alapú termékek, penetráló olaj stb. a műanyag alkatrészekre kerüljön. A vegyszerek megrongálhatják, gyengíthetik vagy megtámadhatják a műanyagot, ezáltal súlyos személyi sérülést okozhatnak.

▲ FIGYELMEZTETÉS: A tűz, személyi sérülés és rövidzárlat miatti termékárosodás kockázatának csökkentése érdekében soha ne merítse a gépet, az akkumulátoregységet vagy a töltőt folyadékba, és ne engedje, hogy folyadék folyjon a belsejükbe. A maró vagy vezetőképes folyadékok, mint például a tengervíz, bizonyos ipari vegyi anyagok, fehérlítőszerek vagy fehérlítő tartalmazó termékek stb. rövidzárlatot okozhatnak.

A PORGYÚJTÓ TARTÁLY KIÜRÍTÉSE

1. Távolítsa el a leeresztőnyílás sapkáját, hogy a porgyújtó tartályban lévő folyadékot megfelelő tartályba vagy lefolyóba ürítse, ha van ilyen.
2. Vegye ki a motorfej egységet a porgyújtó tartályból.
3. Vegye ki a porgyújtó zsákot, ha a porgyújtó zsák be van szerelve.
4. Távolítson el minden szennyeződést vagy törmelékét a porgyújtó tartályból, és tisztítsa meg enyhé szappannal és vízzel.
5. Hagyja megszáradni a porgyújtó tartályt, mielőtt újra összeszerelné a motorfej egységet.

SZŰRŐ KARBANTARTÁSA

Szűrő öntisztító rendszer

1. Csatlakoztassa a porszívó tömlőt a porszívó szívónyílásához, és szerelje a tömlő másik végét a szűrő öntisztító dugójára (K1 ábra).
2. Helyezze be az akkumulátort, és a készülék bekapcsolásához nyomja meg a főkapcsoló gombot.
3. Válassza ki a kívánt sebesség üzemmódot, és nyomja meg a start/stop gombot a gép bekapcsolásához.
4. Nyomja meg a szűrő öntisztító gombját a szűrő tisztításához (K2 ábra).

TIPPEK: A legjobb tisztítási hatás elérése érdekében ajánlott a TURBO üzemmódot kiválasztani, a szűrő öntisztító gombját ötször megnyomni, majd minden alkalommal 3 másodpercig lenyomva tartani.

K1-1	Szívó bemeneti nyílás	K1-2	Porszívó tömlő
K1-3	Szűrő öntisztító dugó	K2-1	Szűrő öntisztító gomb

A szűrő mosása

Vegye ki az akkumulátort, és a tápegységet felemelve vizsgálja meg a szűrőt. Ha a szűrő a "Szűrő öntisztító rendszer" című részben leírtak után is szennyezett, vegye ki a szűrőt, és öblítse le hideg vízben. Hagyja a szűrőt teljesen megszáradni, majd szerelje vissza.

A szűrő cseréje (L1 és L2 ábra)

▲ FIGYELMEZTETÉS: Rendszeresen ellenőrizze a szűrőt, és cserélje ki, ha elhasználódott vagy sérült. A sérült szűrő használata esetén a tartály nem kívánt légszennyező anyagokat bocsáthat ki.

1. Emelje fel a motorfej egységet, és tegye félre (L1. ábra).
2. Hajtsa ki a szűrőkonzol fogantyúját, és húzza ki a konzolt a szűrővel együtt (L2 ábra).
3. Nedves ruhadarabbal távolítsa el a port és a törmelékét a szűrő területéről.
4. Szereljen be egy új vagy megtisztított szűrőt a tartóba.
5. Helyezze a konzolt a szűrőterületre, és hajtsa be a fogantyút.

L1-1	Markolat	L1-2	Szűrőkonzol
------	----------	------	-------------

A PORSZÍVÓ TÁROLÁSA

1. Vegye ki az akkumulátoregységet a porszívóból.
2. Tárolás előtt alaposan tisztítsa meg a porszívót.
3. Száraz, jól szellőző, elzárt vagy magas helyen tárolja a porszívót, ahol gyermekek nem érik el. Ne tárolja a porszívót műtrágyán, benzinen vagy más vegyszereken, illetve azok közelében.

KÖRNYEZETVÉDELEM



Ne dobja az elektromos eszközét, az elhasznált akkumulátort és a töltőt a háztartási hulladékok közé! Vigye hivatalos újrahasznosító telephelyre, és tegye hozzáférhetővé a szelektív gyűjtéshez. Az elektromos eszközöket megfelelő környezetbarát újrahasznosító üzembe kell vinni.

HU

HIBAEHÉLYESÍTÉS

PROBLÉMA	OK	MEGOLDÁS
A porszívó nem indul el.	<ul style="list-style-type: none"> ■ Az akkumulátoregység töltöttségi szintje alacsony. ■ Az akkumulátoregység nincs megfelelően van beszerelve. 	<ul style="list-style-type: none"> ■ Töltse fel az akkumulátoregységet. ■ Csúsztassa az akkumulátoregységet a porszívóra, amíg az a helyére nem kattant.
A porszívó teljesítménye gyenge	<ul style="list-style-type: none"> ■ A porszívó tömlő vagy a szívónyílás eltömődött. ■ A szűrőt finom por tömíti el. ■ A porgyűjtő tartály megtelt. ■ Az akkumulátoregység töltöttségi szintje alacsony. ■ A leeresztőnyílás sapkája el van távolítva a porgyűjtő tartályról. 	<ul style="list-style-type: none"> ■ Ellenőrizze és távolítsa el a porszívó tömlő vagy a szívónyílás dugulását. ■ Tisztítsa meg a szűrőt a jelen kézikönyv "SZŪRŐ KARBANTARTÁSA" című szakaszának megfelelően. ■ Ūrítse ki a porgyűjtő tartályt. ■ Töltse fel az akkumulátoregységet ■ Szerelje fel a leeresztőnyílás sapkáját a porgyűjtő tartályra.
A gép működik, de nincs szívás.	<ul style="list-style-type: none"> ■ A motorfej egység nincs teljesen felszerelve a porgyűjtő tartályra. 	<ul style="list-style-type: none"> ■ Győződjön meg róla, hogy a motorfej egység teljesen fel van szerelve a porgyűjtő tartályra.
A por kiszökik a kifúvó nyíláson.	<ul style="list-style-type: none"> ■ A szűrő hiányzik vagy rosszul van beszerelve. ■ A szűrő megsérült. 	<ul style="list-style-type: none"> ■ Ellenőrizze a szűrő helyes beszerelését. ■ Cserélje ki új szűrőre.
A porszívó nem vezérelhető a távirányítóval.	<ul style="list-style-type: none"> ■ A távirányítót nincs párosítva a porszívóval. ■ A távirányító töltöttsége alacsony. ■ A távirányító megsérült. 	<ul style="list-style-type: none"> ■ Párosítsa a távirányítót a porszívóval a jelen kézikönyv "Távirányító párosítása" című fejezetének megfelelően. ■ Töltse fel a távirányítót. ■ Használjon új távirányítót, és végezze el a távirányító párosítását.

HU

GARANCIA

EGO GARANCIÁLIS FELTÉTELEK

Kérjük, látogasson el az egopowerplus.eu oldalra, ahol megtalálja a részletes EGO garanciális feltételeket.

OLVASSA EL AZ ÖSSZES UTASÍTÁST!



CITIȚI MANUALUL DE INSTRUCȚIUNI

⚠️ AVERTISMENT: Pentru siguranța și fiabilitatea produsului, toate reparațiile trebuie efectuate de către un tehnician de service autorizat.

SIMBOLURI PRIVIND SIGURANȚA

Scopul simbolurilor privind siguranța este să vă atragă atenția asupra pericolelor posibile. Simbolurile privind siguranța și explicațiile furnizate cu acestea merită atenția și înțelegerea dumneavoastră. Avertizările simbolurilor nu elimină, prin ele însele, niciun pericol. Instrucțiunile și avertizările pe care le oferă acestea nu pot înlocui măsurile adecvate de prevenire a accidentelor.

⚠️ AVERTISMENT: Asigurați-vă că ați citit și înțelegiți toate instrucțiunile privind siguranța din acest Manual de utilizare, inclusiv toate simbolurile de alertă privind siguranța precum „PERICOL”, „AVERTISMENT” și „ATENȚIE” înainte de a utiliza această mașină. Nerespectarea tuturor instrucțiunilor enumerate mai jos poate duce la electrocutare, incendiu și/sau vătămări corporale grave.

SEMNIFICAȚIA SIMBOLURILOR

⚠️ SIMBOL DE AVERTIZARE PRIVIND SIGURANȚA: Indică PERICOL, AVERTISMENT sau ATENȚIE, poate fi utilizat împreună cu alte simboluri sau pictograme.

INSTRUCȚIUNI PRIVIND SIGURANȚA

Această pagină descrie simbolurile de siguranță ce pot apărea pe acest produs. Citiți, înțelegiți și respectați toate instrucțiunile de pe mașină înainte de asamblare și utilizare.

RO


Alertă privind siguranța



Pentru a reduce riscul de accidentări, utilizatorul trebuie să citească manualul de instrucțiuni.



Deșeurile produselor electrice nu trebuie să fie eliminate împreună cu deșeurile menajere.
Predați-le unui punct de reciclare autorizat.



Curent continuu



Acest produs este în conformitate cu directivele europene aplicabile.



Conformitate evaluată pentru Regatul Unit

IPX4

Protecție împotriva stropilor de apă

L

Litru

kg

Kilograme

V

Volt

°C

Celsius

L/min

Litru pe minut

Pa

Pascal

⚠️ AVERTISMENT: Citiți și înțelegiți toate instrucțiunile. Nerespectarea tuturor instrucțiunilor de mai jos poate duce la electrocutare, incendiu și/sau vătămări grave.


Acest aparat nu este destinat folosirii de către persoane (inclusiv copii) cu capacități fizice, senzoriale sau intelectuale reduse, sau lipsite de experiență ori cunoștințe, exceptând cazul în care acestea sunt supravegheate sau instruite în prealabil de o persoană responsabilă de securitatea lor.

- Copiii trebuie să fie supravegheați pentru a vă asigura că nu se joacă cu aparatul.
- Nu expuneți aparatul sau bateria la temperaturi excesive.
- Fiți atenți la riscul ca bornele aparatului sau ale bateriei să fie scurtcircuitate de obiecte metalice.
- Bateriile reîncărabile trebuie scoase din aparat înainte de a fi încărcate.
- Nu trebuie amestecate diferite tipuri de baterii sau baterii noi și folosite.
- Bateriile epuizate trebuie scoase din aparat și aruncate în siguranță.
- Dacă aparatul trebuie depozitat neutilizat pentru o perioadă lungă de timp, bateriile trebuie scoase.
- Nu utilizați baterii nereîncărabile în locul bateriilor reîncărabile.
- Nu utilizați baterii modificate sau deteriorate.
- **Utilizați numai cu acumulatori și încărcătoarele specificate**

RO

Păstrați aceste instrucțiuni. Consultați-le frecvent și utilizați-le pentru a instrui alte persoane care ar putea utiliza această mașină. Dacă împrumutați cuiva această mașină, împrumutați-i și aceste instrucțiuni pentru a preveni utilizarea inadecvată a produsului și posibile răni.

SPECIFICAȚII

Tensiune	56 V 		
Capacitatea rezervorului de praf	34 L		
Mod viteză	Joasă	Ridicată	TURBO
Max. Debit de aer (L/min)	1900	2500	3100
Max. Puterea de aspirație (Pa)	10000	15900	24800

Controlul de la distanță	Temperatură de încărcare	0°C - 45°C
	Max. Tensiunea de încărcare	5 V
	Max. Curent de încărcare	1 A
Greutate (fără set de acumulatori)		12,1 kg
Temperatură de funcționare recomandată		-5°C - 40°C
Temperatură de depozitare recomandată		-20°C - 70°C

LISTA COMPONENTELOR (FIG.A1 & A2)

ACCESORII RECOMANDATE

⚠ AVERTISMENT: Utilizați numai accesoriile enumerate mai jos. Utilizarea accesoriilor care nu respectă specificațiile echipamentului original poate duce la performanțe necorespunzătoare și la compromiterea siguranței.

DENUMIREA PIESELOR	NUMĂR MODEL
Saci de praf (5 buc)	AVG0905
Filtru de înlocuire	AVF0900

DESCRIEREA

CUNOAȘTEȚI-VĂ ASPIRATORUL CU ASPIRAREA UMEDĂ/USCATĂ (FIG. A1 ȘI A2)

1. Ansamblu cap de putere
2. Mâner
3. Compartiment de depozitare a accesoriilor
4. Încuietoarea rezervorului de praf (x2)
5. Roată spate (x2)
6. Rezervor de praf
7. Roată cu roți pivotante cu frână (x2)
8. Capacul orificiului de scurgere
9. Duză pentru spații înguste
10. Port de admisie a aspirației
11. Panou de comandă
12. Sloturi de depozitare a furtunului de aspirare
13. Port de ieșire a aerului suflat

14. Depozitare temporară de accesorii
15. Duză mare pentru pardoseală + bară de perii
16. Tub prelungitor
17. Buton de detașare a acumulatorului
18. Butonul de auto-curățare a filtrului
19. Fisă filtru auto-curățare
20. Furtun de aspirare
21. Buton de eliberare furtun
22. Regulator de aspirare
23. Montare cu telecomandă
24. Bară de cauciuc
25. Sac de praf
26. Cablu de încărcare pentru telecomandă
27. Controlul de la distanță
28. Duză perie rotundă pentru praf
29. Duză compactă pentru podea
30. Adaptor pentru scule electrice
31. Buton de alimentare
32. Butonul Start/Stop
33. Butonul de viteză
34. Indicator de viteză
35. Buton TURBO
36. Indicator TURBO
37. Filtrul
38. Suport pentru filtru
39. Senzor de lichid (x4)
40. Suport pentru sac de praf
41. Port de scurgere

ASAMBLARE

CONECTAREA/DECONNECTAREA FURTUNULUI DE ASPIRARE

Pentru a conecta, împingeți capătul furtunului în orificiul de admisie a aspirației sau în orificiul de evacuare a aerului până când auziți un „clic” (Fig. B1).

Pentru deconectare, apăsați și mențineți apăsată butoanele de eliberare a furtunului pentru a scoate furtunul (Fig. B2).

B1-1	Furtun de aspirare	B1-2	Port de admisie a aspirației
B1-3	Port de ieșire a aerului suflat	B2-1	Butoane de eliberare furtun

CONECTAREA/DECONNECTAREA TUBURILOR DE EXTENSIE (FIG. C)

Conectați unul sau două tuburi de extensie la furtunul de aspirare, în funcție de nevoile dumneavoastră.

Pentru conectare, introduceți capătul îngust al tubului de prelungire în furtunul de aspirare cât mai mult posibil, până când tubul de prelungire este fixat în poziție.

Pentru a deconecta, trageți tubul de prelungire de la furtunul de aspirare.

Cel de-al doilea tub de extensie este conectat/deconectat la primul tub în același mod.

C-1	Furtun de aspirare	C-2	Capătul îngust
C-3	Extremitatea largă	C-4	Tub prelungitor

MONTAREA/DEMONTAREA DUZELOR

Alegeți o duză potrivită pentru a instala direct pe furtunul de aspirare sau pe tubul de extensie, în funcție de necesități (Fig. D1)

- Pentru a conecta duza la tubul de prelungire, introduceți duza în tubul de prelungire cât mai mult posibil până când aceasta este fixată în poziție. Pentru a deconecta, trageți duza de pe tubul de extensie.
- Pentru a conecta direct duza la furtunul de aspirare, aliniați butonul de pe duză cu canelura din furtunul de aspirare, introduceți duza în furtunul de aspirare până când auziți un "clic". Pentru deconectare, apăsați și mențineți apăsat butonul de eliberare pentru a scoate duza.

D1-1	Buton de eliberare	D1-2	Canelură
D1-3	Tuburi de extensie (opțional)	D1-4	Buton
D1-5	Duză		

Duză pentru spații înguste (Fig. D2)

Zonele întunecate pot fi curățate cu ușurință atunci când se utilizează duza pentru spații înguste combinată cu lumina integrată a telecomenzii.

Conectați duza pentru spații înguste la furtunul de aspirare și fixați telecomanda pe suportul telecomenzii de pe furtunul de aspirare. Apăsați butonul de lumină de pe telecomandă și duza transparentă pentru spații înguste va lumina.

D2-1	Duză pentru spații înguste	D2-2	Buton lumină
D2-3	Controlul de la distanță		

RO

Adaptor pentru scule electrice (Fig. D3)

Adaptorul pentru scule electrice permite aspiratorului să fie conecteze la o sculă electrică cu ieșire de praf de 32 mm.

Cu furtunul de aspirare conectat la orificiul de admisie al aspiratorului, introduceți adaptorul pentru scule electrice în aspirator cât de mult puteți până când adaptorul pentru scule electrice este fixat în poziție și apoi conectați adaptorul la orificiul de praf a sculei electrice.

⚠️ AVERTISMENT: Adaptorul pentru scule electrice nu poate fi conectat la tubul (tuburile) de extensie. Forțarea instalării poate cauza deteriorarea adaptorului pentru scule electrice sau a tubului (tuburilor) de extensie.

D3-1	Scula electrică (nu este furnizată)	D3-2	Adaptor pentru scule electrice
D3-3	Furtunul de aspirare	D3-4	Port de admisie a aspirației

Duză mare pentru pardoseală + bară de perie/bară de cauciuc (Fig. D4)

Duza mare pentru podea poate fi combinată cu bara de perii sau cu bara de cauciuc.

Deschideți ușor ambele capete ale barei și apăsați capetele în jos pentru a scoate bara din duză.

Pentru a instala bara, împingeți capetele barei în orificiile duzei până când auziți un "clic".

D4-1	Duză mare pentru podea	D4-2	Găurile duzei
D4-3	Bară de cauciuc	D4-4	Capetele barei

MONTAREA/DEMONTAREA ANSAMBLULUI CAPULUI DE PUTERE

Pentru a instala, împingeți părțile inferioare ale închizătoarelor rezervorului de praf, coborâți ansamblul capului de putere pe rezervorul de praf și apoi împingeți părțile superioare ale închizătoarelor rezervorului de praf (Fig. E1 & E2).

Pentru a scoate, împingeți părțile inferioare ale rezervorului de praf, apoi ridicați ansamblul capului de putere (Fig. E3).

INSTALAREA/SCOATEREA SACULUI DE PRAF

1. Deblocați rezervorul de praf și ridicați ansamblul capului de putere.
2. **Pentru a instala,** introduceți doar placa sacului de praf în fanta suportului sacului de praf până când placa cade pe nervuri. Desfășurați manual sacul de

praf înainte de a colecta praful sau resturile (Fig. F1).

Pentru a o scoate, ridicați ușor placa peste nervuri și apoi trageți placa din fantă pentru a scoate sacul de praf (Fig. F2).

F1-1	Suport pentru sac de praf	F1-2	Fantă
F1-3	Sac de praf	F1-4	Placă
F2-1	Nervuri		

FUNCȚIONARE

APLICARE

Puteți utiliza acest produs în scopurile menționate mai jos:

- Aspirarea resturilor lichide sau a prafului uscat atunci când se utilizează orificiul de admisie aspirare.
- Funcționează ca o suflantă atunci când se utilizează orificiul de ieșire pentru suflare.

ATAȘAREA/DETAȘAREA SETULUI DE ACUMULATORI

Utilizați numai seturile de acumulatori EGO și încărcătoarele prezentate în Fig. A3.

Pentru mai multe detalii, consultați manualele corespunzătoare ale bateriilor și încărcătoarelor.

Încărcați acumulatorul complet înainte de prima utilizare.

Pentru atașare

Aliniați nervurile de pe acumulator cu fantele de montare și apăsați în jos setul de acumulatori până la auzul unui "clic" (Fig. G1).

Pentru detașare

Apăsați butonul de detașare al setului de acumulatori și scoateți setul de acumulatori (Fig. G2).

G1-1	Fantă de montare	G1-2	Proeminență
G2-1	Buton de detașare a acumulatorului		

PORNIREA/OPRIREA ASPIRATORULUI CU ASPIRARE UMEDĂ/USCATĂ (FIG. H)

Pentru a porni aspiratorul

1. Verificați dacă ansamblul capului de putere este instalat pe rezervorul de praf și dacă rezervorul de praf este bine blocat. Asigurați-vă că furtunul de aspirare, tubul (tuburile) de extensie necesare și duza sunt conectate corect.

NOTĂ: Aspiratorul funcționează numai atunci când ansamblul capului de putere este fixat în siguranță la rezervorul de praf.

2. Instalați setul de acumulatori.
3. Apăsăți butonul de alimentare pentru a porni aspiratorul.
4. Apăsăți butonul de reglare a vitezei pentru a selecta viteza mică sau mare, apoi apăsați butonul start/stop pentru a porni aspiratorul. Sau apăsați butonul TURBO pentru a porni aspiratorul direct la viteza maximă.

NOTĂ: De asemenea, viteza poate fi reglată în timpul aspirării. Pentru mai multe informații, consultați capitolul "SELECȚIA VITEZEI".

Pentru a opri aspiratorul

1. Odată ce aspirarea este finalizată sau când rezervorul de praf este plin, apăsați butonul start/stop pentru a opri temporar aspiratorul.
2. Sau apăsați butonul de alimentare pentru a opri complet aspiratorul.
3. Îndepărtați setul de acumulatori.
4. Goliți rezervorul de praf într-un recipient adecvat sau într-un canal de scurgere.

NOTĂ: La repornire, aspiratorul va relua setarea de viteză obișnuită activă anterior.

Indicator buton de alimentare

Indicator buton de alimentare	Semnificație	Acțiune
Verde continuu	În așteptare (Standby)	Nu sunt necesare acțiuni. Aspiratorul se va opri automat după 1 oră de inactivitate
	Mașina funcționează corect.	Funcționare normală.
Clipește verde de 6 ori, apoi se oprește.	Nivelul lichidului din rezervor atinge vârful inferior al senzorilor de lichid	Opriti aspiratorul, scoateți pachetul de baterii, apoi goliți rezervorul conform instrucțiunilor de golire.
Luminează verde continuu	Eroare electronică	Contactați Serviciul clienți EGO pentru reparații

SELECȚIA VITEZEI

Mod viteză normală

- De fiecare dată când este apăsat butonul de reglare a vitezei, viteza va comuta între nivelul scăzut și cel ridicat. Indicatorul de viteză a aerului afișează lumini verzi corespunzătoare nivelurilor curente de viteză.
- Aspiratorul va salva ultima setare a vitezei și va reveni la aceasta la repornire.

MOD TURBO

- Apăsăți butonul TURBO, indicatorul TURBO se va aprinde în verde și aspiratorul va începe să funcționeze direct la viteza TURBO, adică la cea mai mare viteză.
- Când vă aflați în modul TURBO, apăsați din nou butonul TURBO sau apăsați butonul de reglare a vitezei, butonul de pornire/stop sau butonul de alimentare - indicatorul TURBO se va stinge și aspiratorul va ieși din modul TURBO.

NOTĂ: După ieșirea din modul TURBO, aspiratorul își va relua viteza normală activă anterior.

REGULATOR DE ASPIRARE (Fig. I)

La aspirare, debitul de aer de la capătul furtunului de aspirare poate fi controlat prin rotirea regulatorului de aspirare. Rotiți regulatorul pentru a expune ieșirea de aer pentru a reduce aspirarea sau rotiți regulatorul pentru a acoperi ieșirea de aer pentru a crește aspirarea.

Această funcție este utilă mai ales atunci când furtunul de aspirare este sigilat de covoare, cărpe etc. în timpul aspirării, rotiți regulatorul pentru a expune ieșirea de aer, aspirarea va fi redusă.

I-1	Regulator de aspirare	I-2	Evacuare aer
-----	-----------------------	-----	--------------

CONTROLUL DE LA DISTANȚĂ

- Telecomanda ar putea fi poziționată pe furtunul de aspirare în timpul aspirării (Fig. J1).
- Când aspiratorul este pornit, puteți porni/opri aspiratorul sau comuta aparatul în modul TURBO cu ajutorul telecomenzii.

NOTĂ: Telecomanda nu poate comuta între viteza normală redusă și cea ridicată.

- Telecomanda poate fi utilizată și ca lanternă pentru spații înguste, în special atunci când se utilizează duza pentru spații înguste.

Asocierea telecomenzii (Fig. J2)

Telecomanda a fost cuplată cu aspiratorul din fabrică. Cu toate acestea, în cazul în care telecomanda este deteriorată sau pierdută, urmați pașii de mai jos pentru a asocia noua telecomandă cu aspiratorul.

1. Instalați setul de acumulatori.
2. Apăsăți butonul de alimentare pentru a porni aspiratorul.
3. Apăsăți lung butonul de pornire/oprire de pe aspirator până când indicatorul butonului de pornire clipește lent în verde.
4. Apăsăți butonul TURBO sau butonul start/stop de pe telecomandă imediat ce indicatorul butonului de alimentare începe să clipească lent în verde.
5. Indicatorul butonului de alimentare va clipi rapid în verde și apoi va străluci în verde continuu pentru a indica faptul că asocierea a avut succes.

Indicator de telecomandă

Indicator de telecomandă	Semnificație	Acțiune
Verde intermitent rapid	Bateria telecomenzii este aproape descărcată.	Încărcați telecomanda.
Verde intermitent lent	Telecomanda se încarcă.	Nu este necesară nicio acțiune.
Verde continuu	Încărcarea telecomenzii este completă.	Deconectați telecomanda și cablul de încărcare de la sursa de alimentare.

NOTĂ: În timpul funcționării normale, indicatorul de la telecomandă se va aprinde o dată și apoi se va stinge atunci când butonul TURBO sau butonul de pornire/oprire este apăsat o dată.

Reîncărcarea telecomenzii (Fig. J3)

Periodic, bateria din interiorul telecomenzii va trebui reîncărcată.

⚠️ AVERTISMENT: Pentru această baterie reîncărcabilă Li-ion din interiorul telecomenzii, vă rugăm să țineți cont de următoarele:

- Risc de incendiu și arsuri.
- Nu deschideți, nu striviți, nu încălziți la peste 60°C și nu incinerati.
- Nu scurtcircuitați.
- Dacă se umflă puternic, întrerupeți utilizarea.

1. Deschideți capacul portului USB-C.
2. Conectați capătul USB-C al cablului de încărcare inclus la portul USB-C din telecomandă.
3. Conectați celălalt capăt al cablului de încărcare la un adaptor de alimentare/încărcător USB compatibil (nu este inclus). Poate dura până la 2 ore pentru a încărca o baterie complet descărcată.
4. Când ați terminat de încărcat, deconectați cablul de încărcare și închideți capacul portului USB-C pentru a proteja portul USB-C de contaminare.

J3-1	Capacul portului USB-C	J3-2	Port USB-C
J3-3	Cablul de încărcare		

LUCRUL CU SCULA ELECTRICĂ

Operațiunea de aspirare umedă

- Nu folosiți sacul de praf în timpul operațiunii de aspirare umedă.
- Opriți imediat aspiratorul atunci când rezervorul de praf este plin. Goliți rezervorul de praf într-un recipient adecvat sau într-un canal de scurgere.
- Curățați periodic interiorul rezervorului de praf, filtrul și accesoriile, mai des atunci când este utilizat pentru a ridica materiale umede și lipicioase.

Operațiunea de aspirare uscată

- Asigurați-vă că filtrul este complet uscat după aspirarea umedă sau folosiți un al doilea filtru uscat pentru aspirarea uscată. Filtrele umede sau umede se vor bloca cu praf sau vor mucegați.
- Pentru a reduce expunerea la praf de siliciu, utilizați un sac de praf.
- Opriți imediat aspiratorul atunci când sacul de praf sau rezervorul de praf este plin.
- Goliți rezervorul de praf într-un recipient adecvat sau într-un canal de scurgere.

Funcționarea suflantei

⚠️ AVERTISMENT: Purtați întotdeauna ochelari de protecție atunci când folosiți acest aparat ca suflantă.

⚠️ AVERTISMENT: Nu suflați materiale inflamabile sau combustibile, cum ar fi benzina, și nu utilizați în zone în care pot fi prezente astfel de materiale. Se poate produce un incendiu.

⚠️ AVERTISMENT: Nu direcționați fluxul de aer în direcția persoanelor sau a animalelor de companie.

ÎNȚREȚINEREA

⚠️ AVERTISMENT: Pentru prevenirea vătămarilor corporale grave, scoateți setul de acumulatori din produs înainte de a depana, curăța, înlocui accesoriile sau de a îndepărta materialul din aparat.

ÎNȚREȚINERE GENERALĂ

Evitați utilizarea solvenților când curățați piese din plastic. Majoritatea pieselor din plastic sunt susceptibile să se deterioreze de la diverse tipuri de solvenți comerciali și se pot defecta prin utilizarea acestora. Utilizați o cârpă curată pentru a îndepărta murdăria, praful, uleiul, vaselina etc.

⚠️ AVERTISMENT: Nu permiteți niciodată lichidelor de frână, benzinei, produselor petroliere, uleiurilor penetrante etc. să vină în contact cu piese din plastic. Substanțele chimice pot deteriora, pot fragiliza sau pot distruge plasticul, ceea ce se poate solda cu vătămări grave.

⚠️ AVERTISMENT: Pentru a reduce riscul de incendiu, de vătămare corporală și de deteriorare a produsului din cauza unui scurtcircuit, nu scufundați niciodată aparatul, bateria sau încărcătorul în lichid și nu permiteți ca un lichid să curgă în interiorul acestora. Fluidele corozive sau conductoare, cum ar fi apa de mare, anumite substanțe chimice industriale și înălbitor sau produse care conțin înălbitor etc., pot provoca un scurtcircuit.

GOLIREA REZERVORULUI DE PRAF

1. Îndepărtați capacul orificiului de scurgere pentru a goli lichidul din rezervorul de praf într-un recipient adecvat sau într-un canal de scurgere, dacă este disponibil.
2. Scoateți ansamblul capului de putere din rezervorul de praf.
3. Îndepărtați sacul de praf dacă este instalat sacul de praf.
4. Îndepărtați toată murdăria sau resturile din rezervorul de praf și curățați-l cu apă și săpun delicat.
5. Lăsați rezervorul de praf să se usuce înainte de reasamblarea ansamblului capului motor.

ÎNȚREȚINEREA FILTERELOR

Sistem de auto/curățare a filtrului

1. Conectați furtunul de aspirare la orificiul de admisie al aspiratorului și instalați celălalt capăt al furtunului pe dopul de auto/curățare a filtrului (Fig. K1).
2. Instalați pachetul de baterii, apăsați butonul de alimentare pentru a porni aparatul.
3. Selectați modul de viteză dorit și apăsați butonul start/stop pentru a porni aparatul.
4. Apăsați butonul de auto-curățare a filtrului pentru a curăța filtrul (Fig. K2).

TIPS: Pentru a obține cel mai bun efect de curățare, se recomandă să selectați modul TURBO și să apăsați butonul de auto-curățare a filtrului de cinci ori și să îl mențineți apăsat timp de 3 secunde de fiecare dată.

K1-1	Port de admisie a aspirației	K1-2	Furtunul de aspirare
K1-3	Fișa auto-curățare filtru	K2-1	Butonul de auto-curățare a filtrului

Spălarea filtrului

Scoateți pachetul de baterii și examinați filtrul ridicând ansamblul capului de putere. Dacă filtrul este încă murdar după ce ați urmat pașii din secțiunea "Sistemul de auto-curățare a filtrului", scoateți filtrul și clătiți-l în apă rece. Lăsați filtrul să se usuce complet și reinstalați-l.

Înlocuirea filtrului (Fig. L1 și Fig. L2)

⚠️ AVERTISMENT: Verificați periodic filtrul și înlocuiți-l dacă este uzat sau deteriorat. Folosirea unui filtru deteriorat poate duce la eliberarea de contaminanți aeropurtați nedoriți din canistră.

1. Ridicați ansamblul capului de putere și puneți-l într-o parte (Fig. L1).
2. Desfaceți mânerul suportului pentru filtru și trageți suportul cu filtrul în afară (Fig. L2).
3. Folosiți o bucată de cârpă umedă pentru a îndepărta praful și resturile din zona filtrului.
4. Instalați un filtru nou sau curățat în suport.
5. Așezați suportul în zona filtrului și pliați mânerul.

L1-1	Mâner	L1-2	Support pentru filtru
------	-------	------	-----------------------

DEPOZITAREA ASPIRATORULUI

1. Scoateți acumulatorul din aspirator.
2. Curățați aspiratorul bine înainte de a-l depozita.
3. Depozitați aspiratorul într-un loc uscat, bine ventilat, închis cu cheia sau la înălțime, inaccesibil copiilor. Nu depozitați aspiratorul peste sau lângă îngrășămintă, benzină sau alte substanțe chimice.

PROTEJÂND MEDIUL ÎNCONJURĂTOR



Nu eliminați echipamentul electric, bateria epuizată și încărcătorul de baterii împreună cu deșeurile menajere! Predați acest produs unui punct de reciclare autorizat sau puneți-l la dispoziția colectării separate. Sculele electrice trebuie returnate unui centru de reciclare ecologic.

RO

DEPANARE

PROBLEMĂ	CAUZĂ	SOLUȚIE
Aspiratorul nu pornește.	<ul style="list-style-type: none"> ■ Nivel de încărcare a acumulatorului este scăzut. ■ Acumulatorul nu este instalat corect. 	<ul style="list-style-type: none"> ■ Încărcați setul de acumulatori. ■ Glisați acumulatorul în compartimentul pentru baterii până când acesta se fixează în poziție.
Puterea de aspirare este slabă	<ul style="list-style-type: none"> ■ Există un blocaj în furtunul de aspirare sau în orificiul de aspirare. ■ Filtrul este înfundat de praf fin. ■ Rezervorul de praf este plin. ■ Nivel de încărcare a acumulatorului este scăzut. ■ Capacul orificiului de scurgere este îndepărtat de pe rezervorul de praf. 	<ul style="list-style-type: none"> ■ Verificați și eliminați blocajul din furtunul de aspirare sau din priza de aspirare. ■ Curățați filtrul conform secțiunii "ÎNȚREȚINEREA FILTRULUI" din acest manual. ■ Goliți rezervorul de praf. ■ Încărcați setul de acumulatori ■ Instalați capacul orificiului de scurgere pe rezervorul de praf.
Aparatul funcționează, dar nu există aspirare.	<ul style="list-style-type: none"> ■ Ansamblul capului motor nu este instalat complet pe rezervorul de praf. 	<ul style="list-style-type: none"> ■ Asigurați-vă că ansamblul capului de putere este instalat complet pe rezervorul de praf.
RO Praful iese din orificiul de evacuare a suflării.	<ul style="list-style-type: none"> ■ Filtrul lipsește sau este instalat incorect. ■ Filtrul este deteriorat. 	<ul style="list-style-type: none"> ■ Verificați instalarea corectă a filtrului. ■ Înlocuiți-l cu un filtru nou.
Aspiratorul nu poate fi controlat prin intermediul telecomenzii.	<ul style="list-style-type: none"> ■ Telecomanda nu este asociată cu aspiratorul. ■ Încărcarea telecomenzii este redusă. ■ Telecomanda este deteriorată. 	<ul style="list-style-type: none"> ■ Asociați telecomanda cu aspiratorul urmând capitolul "Asocierea telecomenzii" din acest manual. ■ Încărcați telecomanda. ■ Utilizați o nouă telecomandă și efectuați asocierea telecomenzii.

GARANȚIE

POLITICA PRIVIND GARANȚIA EGO

Vă rugăm să consultați site-ul egopowerplus.eu pentru termenii și condițiile complete ale politicii privind garanția EGO.

PREBERITE VSA NAVODILA!



PREBERITE UPORABNIŠKI PRIROČNIK.

⚠ OPOZORILO: Za zagotovitev varnosti in zanesljivosti mora vsa popravila izvesti usposobljen servisni tehnik.

VARNOSTNI SIMBOLI

Namen varnostnih simbolov je, da vas opozorijo na morebitne nevarnosti. Bodite pozorni na varnostne simbole in njihova pojasnila ter jih poskušajte razumeti. Opozorilni simboli sami ne odpravljajo nobene nevarnosti. Navodila in opozorila niso nadomestilo za ustrezne ukrepe za preprečevanje nesreč.

⚠ OPOZORILO: Pred uporabo tega stroja preberite in poskrbite, da boste razumeli vsa varnostna navodila v tem priročniku, vključno z vsemi varnostnimi opozorilnimi simboli, kot so »**NEVARNOST**«, »**OPOZORILO**« in »**POZOR**«. Zaradi neupoštevanja spodaj navedenih navodil lahko pride do električnega udara, požara in/ali resnih telesnih poškodb.

POMEN SIMBOLA

⚠ SIMBOL VARNOSTNEGA OPOZORILO: Označuje **NEVARNOST**, **OPOZORILO** ali **SVARILO** in se lahko uporablja skupaj z drugimi simboli ali piktogrami.

VARNOSTNA NAVODILA

Na tej strani so prikazani in opisani varnostni simboli, ki se lahko pojavijo na tem izdelku. Preberite, osvojite in sledite navodilom na stroju, preden ga boste poskušali sestaviti in upravljati.



Varnostno opozorilo



Odpadnih električnih izdelkov ne odlagajte med gospodinjne odpadke. Odnosite jih v pooblaščen obrat za recikliranje.



Ta izdelek je skladen z veljavnimi direktivami ES.

IPX4 Zaščita pred pljuski vode

kg Kilogram

°C Celzij

Pa Pascal



Za zmanjšanje nevarnosti telesnih poškodb je pomembno, da uporabnik prebere priročnik z navodili za uporabo.



Enosmerni tok



Ta izdelek je v skladu z veljavno zakonodajo Združenega kraljestva.

L Liter

V Volt

l/min Liter na minuto

SL

⚠ OPOZORILO: preberite celotna navodila in poskrbite, da jih boste razumeli. Neupoštevanje spodaj navedenih navodil se lahko odrazi v električnem udaru, požaru in/ali resnih telesnih poškodbah.


Te naprave ne smeje uporabljati osebe (vključno z otroki) z zmanjšanimi fizičnimi, čutnimi ali duševnimi sposobnostmi oziroma osebe s pomanjkanjem izkušenj ali znanja, razen če te osebe nadzoruje oseba, ki je odgovorna za njihovo varnost oziroma jim je te oseba posredovala navodila o uporabi naprave.

- Otroci morajo biti pod nadzorom, da zagotovite, da se z aparatom ne igrajo.
- Aparata ali baterije ne izpostavljajte prekomernim temperaturam.
- Bodite pozorni na nevarnost kratkega stika sponk aparata ali baterije zaradi kovinskih predmetov.
- Pred polnjenjem iz aparata odstranite polnilne baterije.
- Različne vrste baterij ali novih in rabljenih baterij ne smete mešati.
- Iztrošene baterije odstranite iz aparata in jih varno zavržite.
- Če boste aparat shranili za dlje časa, odstranite baterije.
- Nepolnilnih baterij ne uporabljajte namesto polnilnih baterij.
- Ne uporabljajte spremenjenih ali poškodovanih baterij.
- **Uporabljajte samo priporočene baterijske sklope in polnilnike.**

Ta navodila shranite. Pogosto jih preberite in jih uporabite za poučevanje drugih, ki uporabljajo to napravo. Če ta stroj komu posodite, posodite tudi ta navodila tudi za preprečevanje zlorabe izdelka in možnosti poškodb.

SL

TEHNIČNI PODATKI

Napetost	56 V 		
Prostornina rezervoarja za prah	34 l		
Način hitrosti	Nizka	Visoka	TURBO
Maks. pretok zraka (l/min)	1900	2500	3100
Maks. sesalna moč (Pa)	10000	15900	24800
Daljinski upravljavnik	Temperatura polnjenja	od 0 °C do 45 °C	
	Maks. polnilna napetost	5 V	
	Maks. polnilni tok	1 A	
Teža (brez akumulatorja)	12,1 kg		

Priporočena obratovalna temperatura	od -5 °C do 40 °C
Priporočena temperatura za shranjevanje	od -20 °C do 70 °C

VSEBINA PAKETA (SLIKA A1 IN A2)

PRIPOROČENI DODATKI

⚠ OPOZORILO: Uporabljajte samo dodatno opremo, navedeno spodaj. Uporaba delov, ki ne izpolnjujejo zahtev originalne opreme, lahko vodi k neprimernemu delovanju in ogroženi varnosti.

IME DELA	ŠTEVILKA MODELA
Vrečke za prah (5 kos)	AVG0905
Nadomestni filter	AVF0900

OPIS

SPOZNAJTE SVOJ SESALNIK ZA MOKRO/SUHO SESANJE (slika A1 in A2)

1. Sklop pogonske enote
2. Ročaj
3. Dodatni prostor za shranjevanje
4. Zapah rezervoarja za prah (x 2)
5. Zadnje kolo (x 2)
6. Rezervoar za prah
7. Kolesce z zavoro (x 2)
8. Pokrovček odtočne odprtine
9. Ozki nastavek
10. Sesalni vhod
11. Nadzorna plošča
12. Odprtine za shranjevanje sesalne cevi
13. Pihalni izhod
14. Dodatni prostor za začasno shranjevanje
15. Večji nastavek za tla + krtača
16. Razširitvene cevi
17. Gumb za sprostitve baterije
18. Gumb za samočiščenje filtra
19. Vtič za samočiščenje filtra
20. Sesalna cev
21. Gumb za sprostitve cevi

22. Regulator sesanja
23. Držalo za daljinski upravljalnik
24. Gumijasta krtača
25. Vrečka za prah
26. Polnilni kabel za daljinski upravljalnik
27. Daljinski upravljalnik
28. Odprtina za okroglo krtačo za prah
29. Manjši nastavek za tla
30. Adapter za električno orodje
31. Gumb za vklop/izklop
32. Gumb za zagon/zaustavitev
33. Gumb za hitrost
34. Indikator hitrosti
35. Gumb TURBO
36. Indikator TURBO
37. Filter
38. Nosilec filtra
39. Senzor tekočine (x 4)
40. Nosilec vrečke za prah
41. Odtočna odprtina

SESTAVLJANJE

PRIKLOP/ODKLOP SESALNE CEVI

Za **priklop** potiskajte konec cevi v sesalni vhod ali pihalni izhod, dokler ne zaslišite »klika« (slika B1).

Za **odklop** pritisnite in držite gumbe za sprostitvev cevi, da odstranite cev (slika B2).

B1-1	Sesalna cev	B1-2	Sesalni vhod
B1-3	Pihalni izhod	B2-1	Gumba za sprostitvev cevi

PRIKLOP/ODKLOP RAZŠIRITVENIH CEVI (SLIKA C)

Glede na potrebe na sesalno cev priključite eno ali dve razširitveni cevi.

Za **priklop** vstavite ožji konec razširitvene cevi v sesalno cev, tako da se razširitvena cev zaskoči.

Za **odklop** povlecite razširitveno cev iz sesalne cevi.

Drugo razširitveno cev priključite/odklopite v prvo cev na enak način.

C-1	Sesalna cev	C-2	Ožji konec
C-3	Širši konec	C-4	Razširitvene cevi

NAMESTITEV/ODSTRANITEV NASTAVKOV

Glede na potrebe izberite primeren nastavek za namestitev neposredno na sesalno sev ali na razširitveno cev (slika D1).

- Za priklop nastavka na razširitveno cev vstavite nastavek v razširitveno cev, tako da se zaskoči. Za odklop povlecite nastavek iz razširitvene cevi.
- Za priklop nastavka neposredno na sesalno cev poravnajte gumb na nastavku z utorom v sesalni cevi in vstavite nastavek v sesalno cev, dokler ne zaslišite »klika«. Za odklop pritisnite in držite gumb za sprostitvev, da odstranite nastavek.

D1-1	Gumb za sprostitvev	D1-2	Utor
D1-3	Razširitveni cevi (izborno)	D1-4	Gumb
D1-5	Nastavek		

Ozki nastavek (slika D2)

Temne predele lahko enostavno očistite z ozkim nastavkom v kombinaciji z vgrajeno lučko daljinskega upravljalnika.

Priključite ozki nastavek na sesalno cev in zaskočite daljinski upravljalnik na držalo za daljinski upravljalnik na sesalni cevi. Pritisnite gumb za lučko na daljinskem upravljalniku in prozorni ozki nastavek bo zasvetil.

D2-1	Ozki nastavek	D2-2	Gumb za lučko
D2-3	Daljinski upravljalnik		

SL

Adapter za električno orodje (slika D3)

Adapter za električno orodje omogoča povezavo sesalnika z električnim orodjem z 32-mm odprtino za prah.

S sesalno cevjo, ki je priključena na sesalni vhod sesalnika, vstavite adapter za električno orodje v sesalnik, tako da se adapter za električno orodje zaskoči, nato pa adapter priključite na odprtino za prah na električnem orodju.

⚠ OPOZORILO: Adapterja za električno orodje ni mogoče priključiti na razširitvene cevi. Namestitev na silo lahko povzroči poškodbe adapterja za električno orodje ali razširitvenih cevi.

D3-1	Električno orodje (ni priloženo)	D3-2	Adapter za električno orodje
D3-3	Sesalna cev	D3-4	Sesalni vhod

Večji nastavek za tla + krtača/gumijasta krtača (sl. D4)

Večji nastavek za tla lahko kombinirate s krtačo ali gumijasto krtačo.

Rahlo odprite oba konca krtače in potisnite konca navzdol, da odstranite krtačo iz nastavka.

Če želite namestiti krtačo, potisnite konca krtače v odprtini na nastavku, dokler ne zaslišite »klika«.

D4-1	Večji nastavek za tla	D4-2	Odprtini na nastavku
D4-3	Gumijasta krtača	D4-4	Konca krtače

NAMESTITEV/ODSTRANITEV SKLOPA POGONSKE ENOTE

Za **namestitev** potisnite spodnje dele zapahov rezervoarja za prah, spustite sklop pogonske enote na rezervoar za prah, nato pa potisnite zgornje dele zapahov rezervoarja za prah (slika E1 in E2).

Za **odstranitev** potisnite spodnje dele rezervoarja za prah in nato dvignite sklop pogonske enote (slika E3).

NAMESTITEV/ODSTRANITEV VREČKE ZA PRAH

1. Odklenite rezervoar za prah in dvignite sklop pogonske enote.
2. Za **namestitev** vstavite samo ploščo vrečke za prah v rezo nosilca vrečke za prah, dokler plošča ne pade po rebrih navzdol. Ročno razprite vrečko za prah, preden poberete prah ali ostanke (slika F1).

Za **odstranitev** rahlo dvignite ploščo čez rebra in nato povlecite ploščo iz reže, da odstranite vrečko za prah (slika F2).

F1-1	Nosilec vrečke za prah	F1-2	Reža
F1-3	Vrečka za prah	F1-4	Plošča
F2-1	Rebra		

UPRAVLJANJE

UPORABA

Ta izdelek lahko uporabljate za naslednje namene:

- Sesanje tekočih odpadkov ali suhega prahu, ko se uporablja sesalni vhod.
- Deluje kot pihalnik, ko se uporablja pihalni izhod.

PRIKLJUČITEV/ODKLOP BATERIJSKEGA SKLOPA

Uporabljajte samo z baterijskimi sklopi in polnilniki podjetja EGO, navedenimi na sliki A3.

Za več podrobnosti glejte ustrezne priročnike za baterijske sklope in polnilnike.

Pred prvo uporabo baterijo popolnoma napolnite.

Napotki za priključitev

Rebra baterije poravnajte z režami za namestitev in potisnite baterijski sklop na sesalnik, da zaslišite klik (slika G1).

Napotki za odklop

Pritisnite gumb za sprostitve baterije in izvlecite baterijski sklop (slika G2).

G1-1	Reža za montažo	G1-2	Rebro
G2-1	Gumb za sprostitve baterije		

ZAGON/ZAUSTAVITEV SESALNIKA ZA MOKRO/SUHO SESANJE (SLIKA H)

Za zagon sesalnika

1. Preverite, ali je sklop pogonske enote nameščen na rezervoar za prah in je rezervoar za prah dobro zaskočen. Prepričajte se, da so sesalna cev, razširitvene cevi in nastavek pravilno priključeni.

OPOMBA: Sesalnik deluje le, ko je sklop pogonske enote dobro pritrjen na rezervoar za prah.

2. Namestite baterijski sklop.
3. Pritisnite gumb za vklop/izklop, da vklopite sesalnik.
4. Pritisnite gumb za nastavitev hitrosti, da izberete nizko ali visoko hitrost, in nato pritisnite gumb za zagon/zaustavitev, da zaženete sesalnik. Ali pa pritisnite gumb TURBO, da zaženete sesalnik neposredno pri največji hitrosti.

OPOMBA: Hitrost lahko prilagajate tudi med sesanjem. Za več informacij glejte poglavje »IZBIRA HITROSTI«.

Za zaustavitev sesalnika

1. Ko je sesanje končano ali ko je rezervoar za prah poln, pritisnite gumb za zagon/zaustavitev, da začasno ustavite sesalnik.
2. Ali pa pritisnite gumb za vklop/izklop, da dokončno zaustavite sesalnik.
3. Odstranite baterijski sklop.
4. Rezervoar za prah izpraznite v primerno posodo ali odtok.

OPOMBA: Sesalnik bo ob ponovnem zagonu nadaljeval s predhodno aktivno nastavitvijo običajne hitrosti.

Indikator gumba za vklop/izklop

Indikator gumba za vklop/izklop	Pomen	Dejanje
Sveti zeleno	V pripravljenosti	Ukrepanje ni potrebno. Sesalnik se samodejno izklopi po 1 uri nedejavnosti
	Stroj deluje pravilno.	Normalno delovanje
6-krat utripne zeleno, nato se izklopi.	Nivo tekočine v rezervoarju doseže spodnjo konico senzorjev za tekočino	Ustavite sesalnik, odstranite baterijski sklop in nato izpraznite rezervoar v skladu z navodili za praznjenje.
Neprekinjeno sveti zeleno	Napaka elektronike	Za pomoč se obrnite na službo za stranke EGO

IZBIRA HITROSTI

Način običajne hitrosti

- Vsakokrat, ko pritisnete gumb za nastavev hitrosti, bo hitrost preklpila med nizko in visoko stopnjo. Indikator hitrosti zraka prikazuje zelene lučke, ki ustrezajo trenutni stopnji hitrosti.
- Sesalnik bo shranil zadnjo nastavev hitrosti in se ob ponovnem zagonu vrnil nanjo.

Način TURBO

- Pritisnite gumb TURBO, indikator TURBO bo zasvetil zeleno in sesalnik bo začel delovati neposredno na hitrosti TURBO, torej najvišji hitrosti.
- Ko ste v načinu TURBO, znova pritisnite gumb TURBO ali pa pritisnite gumb za nastavev hitrosti, gumb start/stop ali gumb za zagon/zaustavev – indikator TURBO se bo izklopil in sesalnik bo zapustil način TURBO.

OPOMBA: Po izhodu iz načina TURBO bo sesalnik nadaljeval s prej aktivno običajno hitrostjo.

REGULATOR SESANJA (slika I)

Pri sesanju lahko pretok zraka na koncu sesalne cevi nadzirate z vrtenjem regulatorja sesanja. Obrnite regulator, da odkrijete odprtino za izhod zraka, da zmanjšate sesanje, ali pa obrnite regulator, da pokrijete odprtino za izhod zraka, da povečate sesanje.

Ta funkcija je še posebej uporabna, ko je sesalna cev med sesanjem zaprta s preprogami, krpami itd., obrnite regulator, da odkrijete odprtino za izhod zraka, sesanje se bo zmanjšalo.

I-1	Regulator sesanja	I-2	Odprtina za izhod zraka
-----	-------------------	-----	-------------------------

DALJINSKI UPRAVLJALNIK

- Daljinski upravljalnik lahko med sesanjem namestite na sesalno cev (slika J1).
- Ko je sesalnik vklopljen, lahko z daljinskim upravljalnikom zaženete/zaustavite sesalnik ali stroj preklpote v način TURBO.

OPOMBA: Daljinski upravljalnik ne more preklapljeti med običajno nizko in visoko hitrostjo.

- Daljinski upravljalnik se lahko uporablja tudi kot svetilka za temne predele, zlasti pri uporabi ozkega nastavka.

Seznanjanje daljinskega upravljalnika (slika J2)

Daljinski upravljalnik je bil tovarniško seznanjen s sesalnikom. Če pa se daljinski upravljalnik poškoduje ali izgubi, upoštevajte spodnje korake za seznanitev novega daljinskega upravljalnika s sesalnikom.

1. Namestite baterijski sklop.
2. Pritisnite gumb za vklop/izklop, da vklopite sesalnik.
3. Pritisnite in pridržite gumb za zagon/zaustavev na sesalniku, dokler indikator gumba za vklop/izklop počasi ne utripa zeleno.
4. Pritisnite gumb TURBO ali gumb za zagon/zaustavev na daljinskem upravljalniku, takoj ko indikator gumba za vklop/vklop začne počasi utripati zeleno.
5. Indikator gumba za vklop/izklop bo hitro utripal zeleno in nato zasvetil zeleno, kar pomeni, da je bilo seznanjanje uspešno.

SL

Indikator daljinskega upravljalnika

Indikator daljinskega upravljalnika	Pomen	Dejanje
Hitro utripa zeleno	Baterija daljinskega upravljalnika je skoraj prazna.	Napolnite daljinski upravljalnik.
Počasi utripa zeleno	Daljinski upravljalnik se polni.	Ukrepanje ni potrebno.
Sveti zeleno	Polnjenje daljinskega upravljalnika je končano.	Odklopite daljinski upravljalnik in polnilni kabel iz napajanja.

OPOMBA: Med normalnim delovanjem bo indikator daljinskega upravljalnika enkrat zasvetil in nato ugasnil, ko enkrat pritisnete gumb TURBO ali gumb za zagon/zaustavitvev.

Ponovno polnjenje daljinskega upravljalnika (slika J3)

Občasno bo treba baterijo v daljinskem upravljalniku ponovno napolniti.

⚠ OPOZORILO: Za to litij-ionsko baterijo za ponovno polnjenje v daljinskem upravljalniku upoštevajte naslednje:

- Nevarnost požara in opeklin.
- Ne odpirajte, drobite, segrevajte nad 60 °C ali sežigajte.
- Ne povzročajte kratkega stika.
- Če se močno izboči, prenehajte z uporabo.

1. Odprite pokrov vrat USB-C.
2. Povežite konec priloženega polnilnega kabla USB-C z vrati USB-C na daljinskem upravljalniku.
3. Drugi konec polnilnega kabla priključite na združljiv napajalnik/polnilnik USB (ni priložen). Polnjenje popolnoma izpraznjene baterije lahko traja do 2 uri.
4. Ko končate s polnjenjem, odklopite polnilni kabel in zaprite pokrov vrat USB-C, da zaščitite vrata USB-C pred kontaminacijo.

J3-1	Pokrov vrat USB-C	J3-2	Vrata USB-C
J3-3	Polnilni kabel		

DELO S SESALNIKOM

Mokro sesanje

- Med mokrim sesanjem ne uporabljajte vrečke za prah.

- Takoj izklopite sesalnik, ko je rezervoar za prah poln. Rezervoar za prah izpraznite v primerno posodo ali odtok.
- Občasno očistite notranjost rezervoarja za prah, filter in dodatke, pogosteje, ko jih uporabljate za pobiranje mokrih, lepljivih materialov.

Suho sesanje

- Prepričajte se, da je filter po mokrem sesanju popolnoma suh ali pa za suho sesanje uporabite drug suh filter. Vlažni ali mokri filtri se bodo zamašili s prahom ali splesnili.
- Za zmanjšanje izpostavljenosti kremenovemu prahu uporabite vrečko za prah.
- Takoj izklopite sesalnik, ko je vrečka za prah ali rezervoar za prah poln.
- Rezervoar za prah izpraznite v primerno posodo ali odtok.

Puhanje

⚠ OPOZORILO: Pri uporabi tega stroja kot pihalnika vedno nosite zaščito za oči.

⚠ OPOZORILO: Ne pihajte vnetljivih ali gorljivih materialov, kot je bencin, in ne uporabljajte na območjih, kjer so takšni materiali lahko prisotni. Lahko pride do požara.

⚠ OPOZORILO: Ne usmerjajte zračnega toka v ljudi ali hišne ljubljence.

VZDRŽEVANJE

⚠ OPOZORILO: Če želite preprečiti resne telesne poškodbe, odstranite baterijo iz izdelka, preden servisirate, očistite, zamenjate dodatke ali odstranjujete material iz enote.

SPLOŠNO VZDRŽEVANJE

Pri čiščenju plastičnih delov ne uporabljajte topil. Večina vrst plastike se lahko pri uporabi različnih komercialnih topil poškoduje. Umazanijo, prah, olje, mast itd. odstranite s čisto krpo.

⚠ OPOZORILO: Zavorna tekočina, gorivo, izdelki na osnovi naftnih derivatov, prodirajoče olje nikoli ne smejo priti v stik s plastičnimi deli. Kemikalije lahko poškodujejo, oslabijo ali uničijo plastiko, kar lahko povzroči hude telesne poškodbe.

⚠ OPOZORILO: Če želite zmanjšati nevarnost požara, telesnih poškodb in poškodb izdelka zaradi kratkega stika, stroja, baterijskega sklopa ali polnilnika nikoli ne potopite v tekočino in ne dovolite, da tekočina teče v njih. Jedke ali prevodne tekočine, kot so morska voda, nekatere industrijske kemikalije in izdelki, ki vsebujejo belilo ali belilo itd., lahko povzročijo kratek stik.

PRAZNJENJE REZERVOARJA ZA PRAH

1. Odstranite pokrovček odtočne odprtine, da izpraznite tekočino iz rezervoarja za prah v primerno posodo ali odtok, če je na voljo.
2. Odstranite sklop pogonske enote iz rezervoarja za prah.
3. Odstranite vrečko za prah, če je nameščena.
4. Z rezervoarja za prah očistite vso umazanijo ali ostanke ter ga očistite z blagim milom in vodo.
5. Počakajte, da se rezervoar za prah posuši, preden znova sestavite sklop pogonske enote.

VZDRŽEVANJE FILTRA

Samočistilni sistem filtra

1. Priključite sesalno cev na sesalni vhod sesalnika in namestite drugi konec cevi na vtič za samočiščenje filtra (slika K1).
2. Namestite baterijski sklop, pritisnite gumb za vklop/izklop, da vklopite stroj.
3. Izberite zeleni način hitrosti in pritisnite gumb za zagon/zaustavitev, da vklopite stroj.
4. Pritisnite gumb za samočiščenje filtra, da očistite filter (slika K2).

NASVETI: Za najboljši učinek čiščenja je priporočljivo, da izberete način TURBO in petkrat pritisnete gumb za samočiščenje filtra ter vsakič držite 3 sekunde.

K1-1	Sesalni vhod	K1-2	Sesalna cev
K1-3	Vtič za samočiščenje filtra	K2-1	Gumb za samočiščenje filtra

Pranje filtra

Odstranite baterijski sklop in preglejte filter tako, da dvignete sklop pogonske enote. Če je filter še vedno umazan, potem ko ste upoštevali korake v razdelku »Samočistilni sistem filtra«, odstranite filter in ga sperite s hladno vodo. Počakajte, da se filter popolnoma posuši, in ga znova namestite.

Zamenjava filtra (slika L1 in slika L2)

⚠ OPOZORILO: Filter redno preverjajte in ga zamenjajte, če je obrabljen ali poškodovan. Zaradi uporabe poškodovanega filtra lahko pride do sproščanja neželjenih onesnaževalcev v zraku iz posode.

1. Dvignite sklop pogonske enote in ga postavite na stran (slika L1).
2. Odprite ročaj nosilca filtra in izvlecite nosilec s filtrom (slika L2).
3. Z vlažno krpo odstranite morebiten prah in umazanijo s področja filtra.
4. Namestite nov ali očiščen filter v nosilec.
5. Postavite nosilec v območje filtra in zložite ročaj.

L1-1	Ročaj	L1-2	Nosilec filtra
------	-------	------	----------------

SHRANJEVANJE SESALNIKA

1. Iz sesalnika odstranite baterijski sklop.
2. Sesalnik pred shranjevanjem temeljito očistite.
3. Sesalnik shranjujte v suhem in dobro zračenem prostoru, ki ga je mogoče zakleniti ali je dvignjen in izven dosega otrok. Sesalnika ne shranjujte na ali v bližini gnojil, bencina ali drugih kemikalij.

VAROVANJE OKOLJA



Električne opreme, rabljene baterije in polnilnika ne odvrzite med gospodinjske odpadke! Izdelek odnesite na pooblaščen obrat za recikliranje in ga zavrzite ločeno. Električna orodja je treba odnesti na obrat za recikliranje in ga reciklirati na okolju prijazen način.

SL

ODPRAVLJANJE TEŽAV

TEŽAVA	VZROK	REŠITEV
Sesalnika se ne zažene.	<ul style="list-style-type: none"> ■ Napolnjenost baterijskega sklopa je nizka. ■ Baterijski sklop ni pravilno nameščen. 	<ul style="list-style-type: none"> ■ Napolnite baterijski sklop. ■ Baterijski sklop potisnite na sesalnik, tako da se zaskoči.
Sesalna moč je šibka	<ul style="list-style-type: none"> ■ Sesalna cev ali sesalni vhod je zamašen. ■ Filter je zamašen zaradi drobnega prahu. ■ Rezervoar za prah je poln. ■ Napolnjenost baterijskega sklopa je nizka. ■ Na rezervoarju za prah ni pokrovčka odtočne odprtine. 	<ul style="list-style-type: none"> ■ Preverite in odstranite blokado v sesalni cevi ali sesalnem vhodu. ■ Očistite filter v skladu z razdelkom »VZDRŽEVANJE FILTRA« v tem priročniku. ■ Spraznite rezervoar za prah. ■ Napolnite baterijski sklop. ■ Namestite pokrovček odtočne odprtine na rezervoar za prah.
Stroj deluje, vendar ne sesa.	<ul style="list-style-type: none"> ■ Sklop pogonske enote ni v celoti nameščen na rezervoar za prah. 	<ul style="list-style-type: none"> ■ Prepričajte se, da je sklop pogonske enote v celoti nameščen na rezervoar za prah.
Prah uhaja iz pihalnega izhoda.	<ul style="list-style-type: none"> ■ Filter manjka ali ni pravilno nameščen. ■ Filter je poškodovan. 	<ul style="list-style-type: none"> ■ Preverite, ali je filter pravilno nameščen. ■ Zamenjajte z novim filtrom.
Sesalnika ni mogoče upravljati z daljinskim upravljalnikom.	<ul style="list-style-type: none"> ■ Daljinski upravljalnik ni seznanjen s sesalnikom. ■ Daljinski upravljalnik ni dovolj napolnjen. ■ Daljinski upravljalnik je poškodovan. 	<ul style="list-style-type: none"> ■ Seznanite daljinski upravljalnik s sesalnikom v skladu s poglavjem »Seznanjanje daljinskega upravljalnika« v tem priročniku. ■ Napolnite daljinski upravljalnik. ■ Uporabite nov daljinski upravljalnik in izvedite seznanjanje daljinskega upravljalnika.

SL

GARANCIJA

GARANCIJSKA POLITIKA DRUŽBE EGO

Za popolne pogoje garancijske politike družbe EGO obiščite spletno mesto egopowerplus.eu.

PERSKAITYKITE VISAS INSTRUKCIJAS!



PERSKAITYKITE NAUDOTOJO VADOVĄ

⚠️ ĮSPĖJIMAS. Kad būtų užtikrintas saugumas ir patikimumas, visus remonto darbus turi atlikti kvalifikuotas techninės priežiūros specialistas.

SAUGOS SIMBOLIAI

Saugos simbolių paskirtis – atkreipti dėmesį į galimus pavojus. Gerai susipažinkite su saugos simboliais bei jų paaiškinimais ir juos įsidėmėkite. Simbolių įspėjimai patys savaime negali apsaugoti nuo pavojų. Jais žymimi nurodymai ir įspėjimai neatstoja tinkamų nelaimingų atsitikimų prevencijos priemonių.

⚠️ ĮSPĖJIMAS: Prieš pradėdami naudoti šį įrenginį, perskaitykite visus šioje naudojimo instrukcijoje pateiktus saugos nurodymus, įskaitant visus saugos įspėjamuosius simbolius, tokius kaip „PAVOJUS“, „ĮSPĖJIMAS“ ir „DĖMESIO“ bei įsitikinkite, ar viską gerai supratote. Nesilaikant visų toliau išdėstytų nurodymų galima patirti elektros smūgį, sukelti gaisrą ir (ar) sunkiai susižaloti.

SIMBOLIŲ REIKŠMĖ

⚠️ SAUGOS ĮSPĖJAMASIS SIMBOLIS: Reiškia PAVOJUS, ĮSPĖJIMAS ar DĖMESIO ir gali būti panaudotas su kitais simboliais arba piktogramomis.

SAUGOS NURODYMAI

Šiame puslapyje pavaizduoti ir aprašyti saugos simboliai, kurie gali būti nurodyti ant šio gaminio. Prieš bandydami surinkti ir naudoti įrankį, perskaitykite visus ant jo pateiktus nurodymus, įsitikinkite, kad juos supratote, ir jais vadovaukitės.



Įspėjimas dėl saugos



Norėdamas sumažinti susižalojimo pavojų, naudotojas privalo perskaityti naudojimo instrukciją.

LT



Netinkamus naudoti elektrinius gaminius draudžiama išmesti kartu su buitėmis atliekomis. Pristatyti įgaliotam perdirbėjui.



Nuolatinė srovė



Šis gaminytis atitinka taikomas EB direktyvas.



[vertinta JK atitiktis]

IPX4 Apsauga nuo vandens pusrū.

L Litrai

kg Kilogramai

V Voltai

°C Celsijaus laipsniai

l/min Litrai per minutę

Pa Slėgis paskaliais

⚠️ ĮSPĖJIMAS. Perskaitykite ir supraskite visus nurodymus. Nesilaikant visų toliau išdėstytų nurodymų galima patirti elektros smūgį, sukelti gaisrą ir (ar) sunkiai susižaloti.


Šis prietaisas nėra skirtas naudoti asmenims (įskaitant vaikus), kurių sumažėję fiziniai, jutimo ar protiniai gebėjimai arba kurie turi mažiau patirties bei žinių, nebent juos prižiūri arba apmokė saugiai naudoti prietaisą už jų saugumą atsakingas asmuo.

- Vaikus reikia prižiūrėti ir neleisti jiems žaisti su prietaisu.
- Nelaikykite prietaiso ar baterijos aukštoje temperatūroje.
- Atkreipkite dėmesį į pavojus, kylančius dėl su baterijomis veikiančio prietaiso gnybtų arba dėl metalinių daiktų sukkelto baterijos trumpojo jungimo.
- Įkraunamas baterijas prieš įkrovimą reikia išimti iš prietaiso.
- Negalima maišyti skirtingų tipų baterijų arba naujų ir naudotų baterijų.
- Iškrautas baterijas reikia išimti iš prietaiso ir saugiai utilizuoti.
- Jeigu prietaisas ilgą laiką nenaudojamas, reikia iš jo išimti baterijas.
- Nenaudokite neįkraunamų baterijų vietoj įkraunamų baterijų.
- Nenaudokite modifikuotų arba pažeistų baterijų.
- **Naudokite tik su nurodytomis sudėtinėmis baterijomis ir įkrovikliais.**

Pasilikite šią instrukciją. Dažnai ją paskaitykite ir panaudokite kitiems asmenims, kuriems patikėsite šį įrenginį, apmokyti. Jei kam nors skolinatė šį įrenginį, perduokite ir šias instrukcijas; taip užkirsite kelią netinkamam gaminio naudojimui ir galimiems sužeidimams.

LT

TECHNINIAI DUOMENYS

Įtampa	56 V 		
Dulkių talpyklos talpa	34 l		
Greičio režimas	Mažas	Didelis	TUR-BO
Maks. oro srautas (l/min.)	1900	2500	3100
Maks. siurbimo galia (Pa)	10000	15900	24800
Nuotolinis valdiklis	Įkrovimo temperatūra	0°C - 45°C	
	Maks. įkrovimo įtampa	5 V	
	Maks. įkrovimo srovė	1 A	

Svoris (be sudėtinės baterijos)	12,1 kg
Rekomenduojama darbo temperatūra	-5–40°C
Rekomenduojama laikymo temperatūra	-20–70°C

PAKUOTĖS TURINIO SĄRAŠAS (A1 IR A2 PAV.)

REKOMENDUOJAMI PRIEDAI

⚠ ĮSPĖJIMAS. Naudokite tik toliau išvardytus priedus. Naudojant priedus, kurie neatitinka originalios įrangos specifikacijų, įrenginys gali netinkamai veikti ir kelti pavojų.

DALIES PAVADINIMAS	MODELIO NUMERIS
Dulkių maišeliai (5 vnt.)	AVG0905
Atsarginis filtras	AVF0900

APRAŠYMAS

DRĖGNO IR SAUSO VALYMO DULKIŲ SIURBLIO DALYS (A1 ir A2 pav.)

1. Maitinimo galvutės blokas
2. Rankena
3. Priedų laikymo skyrius
4. Dulkių talpyklos fiksatorius (x2)
5. Galinis ratukas (x2)
6. Dulkių talpykla
7. Ratukas su stabdžiu (x2)
8. Išleidimo angos kamštelis
9. Siaurų plyšių antgalis
10. Įsiurbimo anga
11. Valdymo skydelis
12. Siurblio žarnų laikymo lizdas
13. Išpūtimo anga
14. Priedų laikimo laikymo vieta
15. Didelis grindų antgalis + šepečio juosta
16. Ilginamieji vamzdeliai
17. Baterijos atjungimo mygtukas
18. Filtro savaiminio išsivalymo mygtukas
19. Filtro savaiminio išsivalymo jungtis

20. Siurblio žarna
21. Žarnos atjungimo mygtukas
22. Siurbimo reguliatorius
23. Nuotolinio valdiklio laikiklis
24. Guminė juosta
25. Dulkių maišelis
26. Nuotolinio valdiklio įkrovimo laidas
27. Nuotolinis valdiklis
28. Apvalus dulkių šepetio antgalis
29. Kompaktiškas grindų antgalis
30. Elektrinio įrankio adapteris
31. Įjungimo mygtukas
32. Paleidimo ir sustabdymo mygtukas
33. Greičio mygtukas
34. Greičio indikatorius
35. TURBO mygtukas
36. TURBO indikatorius
37. Filtras
38. Filtro laikiklis
39. Skysčių jutiklis (x4)
40. Dulkių maišelio laikiklis
41. Išleidimo anga

SURINKIMAS

SIURBLIO ŽARNOS PRIJUNGIMAS IR ATJUNGIMAS

Norėdami prijungti, stumkite žarnos galą į siurbimo angą arba išpūtimo angą, kol išgirsite „spragtelėjimą“ (B1 pav.).

Norėdami atjungti, paspauskite ir laikykite nuspaudę žarnos atjungimo mygtukus, kad nuimtumėte žarną (B2 pav.).

B1-1	Siurblio žarna	B1-2	Siurbimo anga
B1-3	Išpūtimo anga	B2-1	Žarnos atjungimo mygtukai

ILGINAMŲJŲ VAMZDELIŲ PRIJUNGIMAS IR ATJUNGIMAS (C PAV.)

Pagal savo poreikius prie siurblio žarnos prijunkite vieną arba du ilginamuosius vamzdelius.

Norėdami prijungti, įkiškite siaurąjį ilginamojo vamzdelio galą į siurblio žarną iki galo, kol įsitvirtins.

Norėdami atjungti, ištraukite ilginamąjį vamzdelį iš siurblio žarnos.

Antrasis ilginamasis vamzdelis prie pirmojo prijungiamas ir

(ar) atjungiamas tokiu pačiu būdu.

C-1	Siurblio žarna	C-2	Siaurasis galas
C-3	Platusis galas	C-4	Ilginamieji vamzdeliai

ANTGALIŲ TVIRTINIMAS IR NUĖMIMAS

Pasirinkite darbui tinkamą antgalį, kurį galima pritvirtinti tiesiai prie siurblio žarnos arba per ilginamąjį vamzdelį (D1 pav.).

- Norėdami prijungti antgalį prie ilginamojo vamzdelio, įkiškite antgalį į ilginamąjį vamzdelį iki galo, kol įsitvirtins. Norėdami atjungti, ištraukite antgalį iš ilginamojo vamzdelio.
- Norėdami tiesiogiai prijungti antgalį prie siurblio žarnos, įtaikykite antgalio iškyšą į siurblio žarnos griovelį ir stumkite, kol išgirsite „spragtelėjimą“. Norėdami atjungti, paspauskite ir laikykite nuspaudę atjungimo mygtuką, kad antgalį nuimtumėte.

D1-1	Atjungimo mygtukas	D1-2	Griovelis
D1-3	Ilginamieji vamzdeliai (pasirinkti)	D1-4	Iškyša
D1-5	Antgalis		

Siaurų plyšių antgalis (D2 pav.)

Sunkiai prieinamas vietas galima lengvai išvalyti naudojant siaurų plyšių antgalį kartu su nuotolinio valdiklio lempute.

Prijunkite siaurų plyšių antgalį prie siurblio žarnos ir užfiksuokite nuotolinį valdiklį ant jo laikiklio ant siurblio žarnos. Paspauskite nuotolinio valdiklio lemputės mygtuką ir permatomas siaurų plyšių antgalis nušvis.

D2-1	Siaurų plyšių antgalis	D2-2	Lemputės mygtukas
D2-3	Nuotolinis valdiklis		

Elektrinio įrankio adapteris (D3 pav.)

Su elektrinio įrankio adapteriu dulkių siurblys galima prijungti prie elektrinio įrankio, kuriame yra 32 mm dulkių išmetimo anga.

Prijungę siurblio žarną prie dulkių siurblio įsiurbimo angos, įkiškite elektrinio įrankio adapterį į dulkių siurblio iki galo, kol įsitvirtins, o po to prijunkite adapterį prie elektrinio įrankio dulkių išmetimo angos.

⚠ ĮSPĖJIMAS. Elektrinio įrankio adapterio negalima jungti prie ilginamojo vamzdelio (-ių). Bandydami tai padaryti galite sugadinti elektrinio įrankio adapterį arba ilginamąjį vamzdelį (-ius).

LT

D3-1	Elektrinis įrankis (nepateikiamas)	D3-2	Elektrinio įrankio adapteris
D3-3	Siurblio žarna	D3-4	Įsiurbimo anga

Didelis grindų antgalis + šepetio juosta / guminė juosta (D4 pav.)

Didelis grindų antgalis gali būti derinamas su šepetio juosta arba gumine juosta.

Šiek tiek atidarykite abu juostos galus ir nuspauskite žemyn, kad išimtumėte juosta iš antgalio.

Norėdami įstatyti juosta, stumkite jos galus į antgalio angas, kol išgirsite „spragtelėjimą“.

D4-1	Didelis grindų antgalis	D4-2	Antgalio angos
D4-3	Guminė juosta	D4-4	Juostos galai

MAITINIMO GALVUTĖS BLOKO TVIRTINIMAS IR NUĖMIMAS

Norėdami pritvirtinti, paspauskite apatines dulkių talpyklos fikساتorių dalis, nuleiskite maitinimo galvutės bloką ant dulkių talpyklos, o po to paspauskite viršutinės dulkių talpyklos fikساتorių dalis (E1 ir E2 pav.).

Norėdami nuimti, paspauskite apatines dulkių talpyklos dalis, o po to iškelkite maitinimo galvutės bloką (E3 pav.).

DULKIŲ MAIŠELIO ĮDĖJIMAS IR IŠĖMIMAS

1. Atrakinkite dulkių talpyklą ir pakelkite maitinimo galvutės bloką.
2. **Norėdami įdėti**, į dulkių maišelio laikiklio lizdą įstatykite tik dulkių maišelio plokštelę, kad ji nusileistų žemyn briaunomis. Prieš siurbdami dulkes ar šiukšles, dulkių maišelį išskleiskite rankiniu būdu (F1 pav.).
Norėdami išimti, šiek tiek pakelkite plokštelę virš briaunu, o po to ištraukite ją iš plyšio ir išimkite dulkių maišelį (F2 pav.).

F1-1	Dulkių maišelio laikiklis	F1-2	Plyšys
F1-3	Dulkių maišelis	F1-4	Plokštelė
F2-1	Kraštai		

NAUDOJIMAS

PASKIRTIS

Galite naudoti šį gaminį toliau išvardytais tikslais:

- Skystoms atliekoms arba sausoms dulkėms siurbti, kai prijungta siurbimo anga.
- Naudoti kaip pūstuva, kai prijungta išpūtimo anga.

SUDĖTINĖS BATERIJOS ĮSTATYMAS IR IŠĖMIMAS

Naudokite tik A3 pav. išvardintas EGO sudėtines baterijas ir įkroviklius.

Daugiau informacijos rasite atitinkamuose sudėtinių baterijų ir įkroviklių vadovuose.

Prieš bateriją naudodami pirmą kartą, visiškai ją įkraukite.

Įstatymas

Įtaikykite sudėtines baterijas briaunas į tvirtinimo griovelius ir stumkite bateriją žemyn, kol išgirsite spragtelėjimą (G1 pav.).

Išėmimas

Nuspauskite sudėtines baterijas atjungimo mygtuką ir bateriją ištraukite (G2 pav.).

G1-1	Tvirtinimo griovelis	G1-2	Briauna
G2-1	Baterijos atjungimo mygtukas		

DRĖGNO IR SAUSO VALYMO DULKIŲ SIURBLIO PALEIDIMAS IR SUSTABDYMAS (H PAV.)

Dulkių siurblio paleidimas

1. Patikrinkite, ar maitinimo galvutės blokas uždėtas ant dulkių talpyklos ir ar dulkių talpykla tvirtai užfiksuota. Patikrinkite, ar tinkamai prijungta siurbimo žarna, reikiamas ilginamasis vamzdelis (-iai) ir antgalis.

PASTABA. Dulkių siurblys veikia tik tuo atveju, jei maitinimo galvutės blokas yra patikimai pritvirtintas prie dulkių talpyklos.

2. Įstatykite sudėtinę bateriją.
3. Paspauskite įjungimo mygtuką, kad įjungtumėte dulkių siurbli.
4. Paspauskite greičio reguliavimo mygtuką, kad pasirinktumėte mažą arba didelį greitį, o po to paspauskite paleidimo ir sustabdymo mygtuką, kad pradėtumėte siurbti. Arba paspauskite TURBO mygtuką, kad dulkių siurblys veiktų maksimalia galia.

PASTABA. Greitį galima reguliuoti ir siurbimo metu. Daugiau informacijos rasite skyriuje „GREIČIO PARINKIMAS“.

Dulkių siurblio sustabdymas

1. Baigę siurbti arba kai dulkių talpykla užsipildo, paspauskite paleidimo ir sustabdymo mygtuką, kad laikinai sustabdytumėte siurbimą.
2. Arba paspauskite įjungimo mygtuką, kad visiškai išjungtumėte dulkių siurblį.
3. Atjunkite sudėtinę bateriją.
4. Ištuštinkite dulkių talpyklą į tinkamą šiukšlinę arba išpilkite į kanalizaciją.

PASTABA. Vėl paleidus dulkių siurblį, vėl įjungiami prieš tai nustatyta greičio nuostata.

Įjungimo mygtuko indikatorius

Įjungimo mygtuko indikatorius	Reikšmė	Veiksmas
Šviečia žalia šviesa	Pristabdytosios veiksenos režimas	Nereikia imtis jokių veiksmų. Po 1 valandos neveikimo dulkių siurblys automatiškai išsijungia.
	Įrenginys veikia tinkamai.	Įprastas veikimas.
6 kartus mirteli žalia šviesa, po to užgęsta.	Skysčio lygis talpykloje pasiekia skysčio jutiklių apačią.	Sustabdykite dulkių siurblį, išimkite sudėtinę bateriją ir ištuštinkite talpyklą, vadovaudamiesi jos tuštinimo instrukcija.
Nuolat mirksi žalia šviesa	Elektronikos klaida	Kreipkitės pagalbos į EGO klientų aptarnavimo tarnybą

GREIČIO PARINKIMAS

Įprastas greičio režimas

- Kiekvieną kartą spustelėjus greičio reguliavimo mygtuką, greitis perjungiamas iš mažo į didelį ir atvirkščiai. Greičio indikatoriuje užsidega žalios lemputės, kurių skaičius atitinka įjungtą oro srauto greičio lygį.
- Dulkių siurblys įrašo paskutinę naudotą greičio nuostatą ir vėl ją įjungia, dulkių siurblį paleidus iš naujo.

TURBO režimas

- Paspaudus TURBO mygtuką užsidega žalias TURBO indikatorius ir dulkių siurblys persijungia į TURBO režimą, t. y. didžiausią oro srauto greitį.
- TURBO režime dar kartą spustelėkite TURBO mygtuką arba greičio reguliavimo mygtuką, paleidimo ir sustabdymo mygtuką arba įjungimo mygtuką – TURBO indikatorius išsijungs ir dulkių siurblys išeis iš TURBO režimo.

PASTABA. Nutraukus TURBO režimą, dulkių siurblys vėl pradeda veikti įprastu greičiu.

SIURBIMO REGULIATORIUS (I pav.)

Siurbiant oro srautą siurblio žarnos gale galima reguliuoti sukant siurbimo reguliatorių. Jei reguliatorių pasuksite atidengdami oro išleidimo angą, siurbimo galia sumažės, o jei pasuksite uždengdami oro išleidimo angą, siurbimo galia padidės.

Ši funkcija ypač naudinga tuomet, kai siurbimo metu dulkių siurblio žarna pritraukia kilimą, audeklą ir pan.; tuomet reguliatorių reikia pasukti, atidengiant oro išleidimo angą, ir siurbimo galia sumažės.

I-1	Siurbimo reguliatorius	I-2	Oro išpūtimo anga
-----	------------------------	-----	-------------------

NUOTOLINIS VALDIKLIS

- Siurbimo metu prie siurbimo žarnos galima pritvirtinti nuotolinį valdiklį (J1 pav.).
- Kai dulkių siurblys įjungtas, nuotoliniu valdikliu galite paleisti ir (ar) sustabdyti dulkių siurblį arba jį perjungti į TURBO režimą.

PASTABA. Nuotolinis valdiklis negali perjungti tarp įprasto mažo ir didelio greičio.

- Nuotolinį valdiklį taip pat galima naudoti kaip žibintuvėlį tamsiose vietose, ypač naudojant siaurų plyšių antgalį.

Nuotolinio valdiklio susiejimas (J2 pav.)

Nuotolinis valdiklis su dulkių siurbliu jau yra susietas gamykloje. Vis dėlto, jei nuotolinis valdiklis buvo sugadintas arba pamestas, naują valdiklį su dulkių siurbliu galite susieti vadovaudamiesi šiais nurodymais:

1. Įstatykite sudėtinę bateriją.
2. Paspauskite įjungimo mygtuką, kad įjungtumėte dulkių siurblį.
3. Paspauskite ir laikykite nuspaudę dulkių siurblio paleidimo ir sustabdymo mygtuką, kol įjungimo mygtuko indikatorius pradės lėtai mirksėti žalia šviesa.

LT

4. Paspauskite TURBO mygtuką arba nuotolinio valdiklio paleidimo ir sustabdymo mygtuką, kai įjungimo mygtuko indikatorius pradės lėtai mirksėti žalia šviesa.
5. Įjungimo mygtuko indikatorius pradės greitai mirksėti žalia šviesa, o po to ims nuolat šviesti – tai reiškia, kad susiejimas pavyko.

Nuotolinio valdiklio indikatorius

Nuotolinio valdiklio indikatorius	Reikšmė	Veiksmas
Greitai mirksi žalia šviesa	Nuotolinio valdiklio baterija beveik išsikrovusi.	Įkraukite nuotolinį valdiklį.
Lėtai mirksi žalia šviesa	Vyksta nuotolinio valdiklio krovimas.	Nieko nereikia daryti.
Šviečia žalia šviesa	Nuotolinio valdiklio įkrovimas baigtas.	Atjunkite nuotolinį valdiklį ir įkrovimo laidą nuo maitinimo šaltinio.

PASTABA. Įprasto veikimo metu nuotolinio valdiklio indikatorius užsidega vieną kartą ir išsijungia, kai vieną kartą paspaudžiamas TURBO arba paleidimo ir sustabdymo mygtukas.

Nuotolinio valdiklio įkrovimas (J3 pav.)

Nuotolinio valdiklio bateriją reikia reguliariai įkrauti.

⚠️ ĮSPĖJIMAS. Dėl nuotolinio valdiklio viduje esančios įkraunamos ličio jonų baterijos, atkreipkite dėmesį į toliau pateiktą informaciją:

- Gaisro ir nudegimų pavojus.
- Neatidarinėti, netraiškyti, nekaitinti aukštesnėje nei 60 °C temperatūroje ir nedeginti.
- Nesujungti trumpuoju jungimu.
- Jei smarkiai išsipučia, nutraukti naudojimą.

1. Atidarykite USB-C jungties dangtelį.
2. Prijunkite pridėdamo įkrovimo laido USB-C galą prie nuotolinio valdiklio USB-C jungties.
3. Kitą įkrovimo laido galą prijunkite prie suderinamo USB maitinimo adapterio / įkroviklio (komplekte nėra). Visiškai išsikrovusią bateriją gali tekti krauti iki 2 val.
4. Baigę krauti, atjunkite įkrovimo laidą ir uždarykite USB-C jungties dangtelį, kad apsaugotumėte USB-C jungtį nuo užteršimo.

J3-1	USB-C jungties dangtelis	J3-2	USB-C jungtis
J3-3	Įkrovimo laidas		

DARBAS SU DULKIŲ SIURBLIU

Drėgno siurbimo procedūra

- Nenaudokite dulkių maišelio drėgno siurbimo metu.
- Kai dulkių talpykla prisipildo, nedelsdami išjunkite dulkių siurbį. Ištuštinkite dulkių talpyklą į tinkamą šiukšlinę arba išpilkite į kanalizaciją.
- Reguliariai valykite dulkių talpyklos vidų, filtrą ir priedus: valykite dažniau, jei siurbį naudojate drėgnoms ir lipnioms medžiagoms surinkti.

Sauso siurbimo procedūra

- Patikrinkite, ar po drėgno siurbimo filtras yra visiškai sausas, arba sausam siurbimui naudokite kitą sausą filtrą. Drėgni ar šlapi filtrai užsikemša dulkėmis arba pelyja.
- Norėdami sumažinti silicio dioksido dulkių poveikį, naudokite dulkių maišelį.
- Kai dulkių maišelis arba dulkių talpykla prisipildo, nedelsdami išjunkite dulkių siurbį.
- Ištuštinkite dulkių talpyklą į tinkamą šiukšlinę arba išpilkite į kanalizaciją.

Įrenginio kaip pūstuvo naudojimas

⚠️ ĮSPĖJIMAS. Kai šį įrenginį naudojate kaip pūstavą, visada dėvėkite akių apsaugos priemones.

⚠️ ĮSPĖJIMAS. Nepūskite degių medžiagų, pavyzdžiui, benzino, ir nenaudokite pūstuvo tose vietose, kur gali būti tokių medžiagų. Gali kilti gaisras.

⚠️ ĮSPĖJIMAS. Nenukreipkite oro srauto žmonių ar naminių gyvūnų kryptimi.

TECHNINĖ PRIEŽIŪRA

⚠️ ĮSPĖJIMAS. Kad išvengtumėte sunkių traumų, prieš atlikdami techninę priežiūrą, valydami, keisdami priedus arba šalindami šiukšles iš įrenginio išimkite sudėtinę bateriją.

BENDROJI PRIEŽIŪRA

Plastikinių dalių nevalykite tirpikliais. Įvairūs komerciniai tirpikliai gali pažeisti įvairių tipų plastiką ir jų naudoti nerekomenduojama. Purvą, dulkes, alyvą, tepalą ir pan. nuvalykite švaria šluoste.

⚠ ĮSPĖJIMAS. Saugokite plastikines dalis, kad ant jų nepatektų stabdžių skysčiai, benzinas, naftos produktai, skvarbi alyva ir pan. Cheminės medžiagos plastiką gali sugadinti, susilpninti arba suardyti. Dėl to galite sunkiai susižaloti.

⚠ ĮSPĖJIMAS. Kad sumažintumėte gaisro, sužalojimo ir gaminio sugadinimo dėl trumpojo jungimo pavojų, niekada nemerkite įrenginio, sudėtinės baterijos ar įkroviklio į skystį ir neleiskite skysčiui tekėti į jų vidų. Ėsdinantys arba laidūs skysčiai, pavyzdžiui, jūros vanduo, kai kurios pramoninės cheminės medžiagos, balikliai arba gaminiai su jais ir pan., gali sukelti trumpąjį jungimą.

DULKIŲ TALPYKLOS IŠTUŠINIMAS

1. Atsukite išleidimo angos kamštelį ir išpilkite dulkių talpykloje esantį skystį į tinkamą talpyklą arba kanalizaciją, jei ji yra.
2. Nuimkite maitinimo galvutės bloką nuo dulkių talpyklos.
3. Išimkite dulkių maišelį, jei įdėtas.
4. Išplaukite visus nešvarumus ar šiukšles iš dulkių talpyklos vandeniu su muilu.
5. Prieš vėl surinkdami maitinimo galvutės bloką palaukite, kol išdžius dulkių talpykla.

FILTRO PRIEŽIŪRA

Filtro savaiminio išsivalymo sistema

1. Prijunkite siurbimo žarną prie dulkių siurblio įsiurbimo angos, o kitą žarnos galą uždėkite ant filtro savaiminio išsivalymo jungties (K1 pav.).
2. Įstatykite sudėtinę bateriją ir paspauskite įjungimo mygtuką įrenginiui įjungti.
3. Pasirinkite norimą greitį režimą ir paspauskite paleidimo ir sustabdymo mygtuką įrenginiui įjungti.
4. Paspauskite filtro savaiminio išsivalymo mygtuką, kad išvalytumėte filtrą (K2 pav.).

PATARIMAI. Norint pasiekti geriausią valymo efektą, rekomenduojama pasirinkti TURBO režimą ir penkis kartus paspausti filtro savaiminio išsivalymo mygtuką, kiekvieną kartą jį palaikant nuspaustą 3 sekundes.

K1-1	Įsiurbimo anga	K1-2	Siurblio žarna
K1-3	Filtro savaiminio išsivalymo jungtis	K2-1	Filtro savaiminio išsivalymo mygtukas

Filtro plovimas

Išimkite sudėtinę bateriją ir apžiūrėkite filtrą, pakeldami maitinimo galvutės bloką. Jei atlikus skyriuje „**Filtro savaiminio išsivalymo sistema**“ nurodytus veiksmus

filtras vis dar nešvarus, jį išimkite ir praplaukite šaltu vandeniu. Leiskite filtrui visiškai išdžiūti ir vėl jį sumontuokite.

Filtro keitimas (L1 ir L2 pav.)

⚠ ĮSPĖJIMAS. Reguliariai tikrinkite filtrą ir, jei jis susidėvėjęs arba pažeistas, pakeiskite nauju. Naudojant pažeistą filtrą iš talpyklos gali pasklisti nepageidaujami oro teršalai.

1. Pakelkite maitinimo galvutės bloką ir atlenkite į vieną šoną (L1 pav.).
2. Atlenkite filtro laikiklio rankeną ir ištraukite laikiklį su filtru (L2 pav.).
3. Drėgnu skudurėliu nuvalykite dulkes ir šiukšles nuo filtro zonos.
4. Į laikiklį įstatykite naują arba išvalytą filtrą.
5. Įstatykite laikiklį į filtro zoną ir užlenkite rankeną.

L1-1	Rankena	L1-2	Filtro laikiklis
------	---------	------	------------------

DULKIŲ SIURBLIO LAIKYMAS

1. Išimkite iš dulkių siurblio sudėtinę bateriją.
2. Prieš padėdami į laikymo vietą dulkių siurblių kruopščiai nuvalykite.
3. Dulkių siurblių laikykite sausoje, gerai vėdinamoje, rakinamoje patalpoje arba aukštai, vaikams neprieinamoje vietoje. Nelaikykite dulkių siurblio ant arba šalia trašų, benzino ar kitų cheminių medžiagų.

APLINKOS APSAUGA



Neišmeskite elektros įrangos, panaudotų baterijų ir įkroviklio kartu su buitinėmis atliekomis! Šias atliekas reikia pristatyti į jų surinkimo vietą ar įgaliotam perdirbėjui. Elektrinius įrankius reikia grąžinti į tokio atliekų perdirbimo įmonę.

TRIKČIŲ ŠALINIMAS

PROBLEMA	PRIEŽASTIS	SPRENDIMAS
Dulkių siurblys neįsijungia	<ul style="list-style-type: none"> ■ Maža sudėtinės baterijos įkrova. ■ Netinkamai įdėta sudėtinė baterija. 	<ul style="list-style-type: none"> ■ Įkraukite sudėtinę bateriją. ■ Stumkite sudėtinę bateriją į jos skyrių, kol užsifiksuos savo vietoje.
Per maža siurbimo galia	<ul style="list-style-type: none"> ■ Užsikimšo siurblio žarna arba įsiurbimo anga. ■ Filtras užkimštas smulkiomis dulkėmis. ■ Dulkių talpykla pilna. ■ Maža sudėtinės baterijos įkrova. ■ Nuo dulkių talpyklos nuimtas išleidimo angos dangtelis. 	<ul style="list-style-type: none"> ■ Patikrinkite ir pašalinkite užsikimšimą siurblio žarnoje arba įsiurbimo angoje. ■ Išvalykite filtrą vadovaudamiesi šio vadovo skyriumi „FILTRO PRIEŽIŪRA“. ■ Ištuštinkite dulkių talpyklą. ■ Įkraukite sudėtinę bateriją. ■ Uždėkite išleidimo angos dangtelį ant dulkių talpyklos.
Įrenginys veikia, tačiau nesiurbia	<ul style="list-style-type: none"> ■ Maitinimo galvutės blokas netinkamai uždėtas ant dulkių talpyklos. 	<ul style="list-style-type: none"> ■ Patikrinkite, ar maitinimo galvutės blokas tinkamai uždėtas ant dulkių talpyklos.
Dulkės išpučiamos pro oro išpūtimo angą	<ul style="list-style-type: none"> ■ Nėra filtro arba jis neteisingai įdėtas. ■ Filtras pažeistas. 	<ul style="list-style-type: none"> ■ Patikrinkite, ar teisingai įstatytas filtras. ■ Pakeiskite filtrą nauju.
Dulkių siurblio negalima valdyti nuotoliniu valdikliu	<ul style="list-style-type: none"> ■ Nuotolinis valdiklis nesusietas su dulkių siurbliu. ■ Nuotolinio valdiklio įkrova maža. ■ Nuotolinis valdiklis sugadintas. 	<ul style="list-style-type: none"> ■ Susiekite nuotolinį valdiklį su dulkių siurbliu, vadovaudamiesi šio vadovo skyriumi „Nuotolinio valdiklio susiejimas“. ■ Įkraukite nuotolinį valdiklį. ■ Paimkite naują nuotolinį valdiklį ir iš naujo atlikite susiejimo procedūrą.

LT

GARANTIJA

EGO GARANTIJOS TAISYKLĖS

Norėdami sužinoti visas EGO garantijos sąlygas ir nuostatas, apsilankykite interneto svetainėje adresu egopowerplus.eu.

IZLASIET VISUS NORĀDĪJUMUS!



IZLASIET LIETOTĀJA ROKASGRĀMATU

▲ BRĪDINĀJUMS! Lai garantētu drošu un uzticamu instrumenta darbību, visi remontdarbi jāveic kvalificētam servisa speciālistam.

DROŠĪBAS APZĪMĒJUMI

Drošības apzīmējumi ir paredzēti, lai pievērstu jūsu uzmanību iespējamiem apdraudējumiem. Pievērsiet uzmanību drošības norādījumiem un to skaidrojumiem, un izprotiet tos. Brīdinājumu apzīmējumi paši par sevi nenovērš apdraudējumu. Tajos ietvertie norādījumu un brīdinājumi neaizstāj atbilstošu negadījumu novēršanas pasākumu īstenošanu.

▲ BRĪDINĀJUMS! Pirms šīs iekārtas lietošanas izlasiet un izprotiet visus šajā lietotāja rokasgrāmatā iekļautos drošības norādījumus, tostarp visus drošības brīdinājuma apzīmējumus, piemēram, „**BĪSTAMI!**”, „**BRĪDINĀJUMS!**” un „**UZMANĪBU!**”. Visu turpmāk uzskaitīto norādījumu neievērošana var izraisīt elektriskās strāvas triecienu, aizdegšanos un/vai smagus miesas bojājumus.

SIMBOLA NOZĪME

▲ DROŠĪBAS BRĪDINĀJUMA APZĪMĒJUMS: Norāda signālvārdu **BRIESMAS**, **BRĪDINĀJUMS** vai **UZMANĪBU**; var būt norādīts kopā ar citiem apzīmējumiem vai piktogrammām.

DROŠĪBAS INSTRUKCIJA

Šajā lapaspusē ir parādīti un aprakstīti drošības apzīmējumi, kas var būt norādīti uz šī izstrādājuma. Pirms instrumenta salikšanas un lietošanas izlasiet, izprotiet un ievērojiet visus norādījumus par instrumentu.



Drošības brīdinājums



Lai mazinātu traumu gūšanas bīstamību, lietotājam jāizlasa lietotāja rokasgrāmata.



Elektrisko izstrādājumu atkritumus nedrīkst izmest kopā ar sadzīves atkritumiem. Nogādājiet uz pilnvarotu pārstrādes punktu.



Līdzstrāva



Šis izstrādājums atbilst piemērojamām EK direktīvām.



Apvienotās Karalistes atbilstības novērtējums

IPX4 Aizsardzība pret ūdens šļakatām

L Litrs

kg Kilograms

V Volti

°C Celsijs

l/min Litrs minūtē

Pa Paskāls

▲ BRĪDINĀJUMS! Izlasiet un izprotiet visus norādījumus. Visu turpmāk uzskaitīto instrukciju neievērošana var izraisīt elektriskās strāvas triecienu, ugunsgrēku un/vai smagas traumas.


Šī ierīce nav paredzēta lietošanai personām (ieskaitot bērnus) ar pazeminātām fiziskām, maņu vai garīgām spējām vai pieredzes un zināšanu trūkumu, ja par šo personu drošību atbildīgā persona nav veikusi apmācību vai sniegusi norādījumus sakarā ar ierīces lietošanu.

- Jāuzrauga, lai bērni nerotātos ar šo iekārtu.
- Nepakļaujiet iekārtu vai akumulatoru pārāk augstai vai zemei temperatūrai.
- Apzinieties risku, ka ar akumulatoru darbināmās ierīcēs vai akumulatora spaiļēs var rasties īssavienojums metāla priekšmetu dēļ.
- Uzlādējamos akumulatorus pirms uzlādēšanas ir jāizņem no iekārtas.
- Nedrīkst jaukt dažādu veidu akumulatorus vai jaunus akumulatorus ar lietotiem akumulatoriem.
- Izlietotus akumulatorus ir jāizņem no iekārtas un jāiznīcina drošā veidā
- Ja iekārtu ilgstoši neizmantos, izņemiet no tās akumulatorus.
- Neizmantojiet neuzlādējamus akumulatorus uzlādējamo akumulatoru vietā.
- Nelietojiet pārveidotus vai bojātus akumulatorus.
- **Izmantojiet tikai ar norādītajiem akumulatoru blokiem un lādētājiem.**

Saglabājiet šo norādījumus. Izlasiet un izmantojiet šo instrukciju, lai sniegtu norādījumus citiem, kas izmanto šo iekārtu. Ja jūs šo mašīnu aizdodat kādai citai personai, aizdodiet arī šo rokasgrāmatu, lai nepieļautu, ka produkts tiek lietots nepareizi, kā arī lai izvairītos no iespējamām traumām.

LV

SPECIFIKĀCIJAS

Spriegums	56 V 		
Putekļu tvertnes tilpums	34 l		
Ātruma izvēles režīms	Zems	Liels	TURBO
Maks. Gaisa plūsma (L/min.)	1900	2500	3100
Maks. Sūkšanas jauda (Pa)	10000	15900	24800
Tāl- vadības pults	Uzlādes temperatūra	0°C - 45°C	
	Maks. Uzlādes spriegums	5 V	
	Maks. Uzlādes strāva	1 A	

Svars (bez akumulatoru bloka)	12,1 kg
Ieteicamā darba temperatūra	-5 °C - 40 °C
Ieteicamā uzglabāšanas temperatūra	-20 °C līdz 70 °C

Iepakojuma satura saraksts (A1 un A2 att.)

Ieteicamie piederumi

BRĪDINĀJUMS! Izmantojiet tikai turpmāk norādītos piederumus. Oriģinālā aprīkojuma specifikācijām neatbilstošu daļu izmantošana var radīt nepareizu mašīnas darbību un apdraudēt jūsu drošību.

DAĻAS NOSAUKUMS	MODEĻA NUMURS
Putekļu savākšanas maisiņi (5 gab.)	AVG0905
Rezerves filtrs	AVF0900

APRAKSTS

Mitrās/sausās uzkopšanas putekļsūcēja sastāvdaļas (A1 un A2 att.)

1. Instrumentgalva
2. Rokturis
3. Piederumu glabāšanas nodalījums
4. Putekļu tvertnes fiksators (x2)
5. Aizmugurējais ritenis (x2)
6. Putekļu tvertne
7. Ritenītis ar bremzi (x2)
8. Iztukšošanas atveres vāciņš
9. Spraugu un salaidumu vietu tīrīšanas uzgalis
10. Sūkšanas iepildes atvere
11. Operatora panelis
12. Sūkšanas šļūteņu glabāšanas nodalījums
13. Ūdens izplūdes atvere
14. Piederumu pagaidu glabātuve
15. Lielā grīdas sprausla + birstes stienis
16. Pagarinājuma caurules
17. Akumulatora atbrīvošanas poga

18. Filtra pašattīršanās sistēmas poga
19. Filtra pašattīršanās sistēmas aizbāznis
20. Sūkšanas šļūtene
21. Šļūtenes atbrīvošanas poga
22. Sūkšanas regulators
23. Tālvadības pults stiprinājums
24. Gumijas blīve
25. Putekļu savākšanas maisiņš
26. Tālvadības pults uzlādes vads
27. Tālvadības pults
28. Apaļā putekļu birstes sprausla
29. Kompaktā grīdas sprausla
30. Elektroinstrumenta adapteris
31. Barošanas poga
32. Poga „Start/Stop” (ieslēgt/Apturēt)
33. Ātruma izvēles poga
34. Ātruma indikators
35. Poga TURBO
36. TURBO indikators
37. Filtrs
38. Filtra kronšteins
39. Šķidrumsensors (x4)
40. Putekļu savākšanas maisiņa kronšteins
41. Iztukšošanas atvere

MONTĀŽA

SŪKŠANAS ŠĻŪTENES SAVIENOŠANA/ATVIENOŠANA

Lai savienotu, iebīdīet šļūtenes galu sūkšanas ieplūdes atverē vai izpūšanas izplūdes atverē, līdz ir dzirdama „klikšķa” skaņa (B1 att.).

Lai atvienotu šļūteni, nospiediet un turiet šļūtenes atbrīvošanas pogas, lai to izņemtu (B2 attēls).

B1-1	Sūkšanas šļūtene	B1-2	Sūkšanas ieplūdes atvere
B1-3	Ūdens izplūdes atvere	B2-1	Šļūtenes atbrīvošanas poga

PAGARINĀJUMA CAURUĻU SAVIENOŠANA/ATVIENOŠANA (C ATT.)

Pievienojiet vienu vai divas pagarinājuma caurules sūkšanas šļūtenei atbilstoši savām vajadzībām.

Lai savienotu, pagarinājuma caurules šauro galu ievietojiet sūkšanas šļūtenē tik tālu, cik vien iespējams, līdz pagarinājuma caurule ir nostiprināta vietā.

Lai atvienotu, izvelciet pagarinājuma cauruli no sūkšanas šļūtenes.

Otrā pagarinājuma caurule tiek savienota/atvienota ar pirmo cauruli tādā pašā veidā.

C-1	Sūkšanas šļūtene	C-2	Šaurais gals
C-3	Platais gals	C-4	Pagarinājuma caurules

UZGAĻU UZSTĀDĪŠANA/NOŅEMŠANA

Izvēlieties piemērotu uzgali, ko uzstādīt tieši uz sūkšanas šļūtenes vai uz pagarinājuma caurules atbilstoši savām vajadzībām (D1 attēls).

- Lai savienotu uzgali ar pagarinājuma cauruli, ievietojiet uzgali pagarinājuma caurulē tik tālu, cik vien iespējams, līdz tas ir nostiprināts. Lai atvienotu, izvelciet uzgali no pagarinājuma caurules.
- Lai uzgali būtu tieši savienots ar sūkšanas šļūteni, salāgojiet uzgaļa pogu ar sūkšanas šļūtenes rievu, ievietojiet uzgali sūkšanas šļūtenē, līdz atskan „klikšķa” skaņa. Lai atvienotu, nospiediet un turiet atbrīvošanas pogu, lai izņemtu uzgali.

D1-1	Atbrīvošanas poga	D1-2	Rieva
D1-3	Pagarinājuma caurules (pēc izvēles)	D1-4	Poga
D1-5	Uzgalis		

Spraugu un salaidumu vietu tīrīšanas uzgalis (D2 att.)

Tumšās zonas var viegli iztīrīt, izmantojot spraugu un salaidumu vietu tīrīšanas uzgali, kas apvienots ar tālvadībā integrēto gaismu.

Pievienojiet spraugu un salaidumu vietu tīrīšanas uzgali pie sūkšanas šļūtenes un piestipriniet tālvadības pultī pie tālvadības pults stiprinājuma uz sūkšanas šļūtenes. Nospiediet gaismas pogu uz tālvadības pults, un iedegsies caurspīdīgais spraugu un salaidumu vietu tīrīšanas uzgalis.

D2-1	Spraugu un salaidumu vietu tīrīšanas uzgalis	D2-2	Gaismas poga
D2-3	Tālvadības pults		

Elektroinstrumenta adapteris (D3 attēls)

Ar elektroinstrumenta adapteri putekļsūcēju var pievienot elektroinstrumentam ar 32 mm putekļu izplūdes atveri.

Kad sūkšanas šļūtene ir savienota ar sūkšanas ieplūdes atveri, ievietojiet elektroinstrumenta adapteri putekļsūcējā tik tālu, cik vien iespējams, līdz elektroinstrumenta adapteris ir nostiprināts vietā, un pēc tam pievienojiet adapteri elektroinstrumenta putekļu izvades atverei.

⚠ BRĪDINĀJUMS! Elektroinstrumenta adapteri nevar savienot ar pagarinājuma cauruli(-ēm). Uzstādīšana ar spēku var radīt bojājumus elektroinstrumenta adapterim vai pagarinājuma caurulei(-ēm).

D3-1	Elektroinstrumenta (nav iekļauts)	D3-2	Elektroinstrumenta adapteris
D3-3	Sūkšanas šļūtene	D3-4	Sūkšanas ieplūdes atvere

Lielā grīdas sprausla + birstes stienis/gumijas stienis (D4 att.)

Lielo grīdas sprauslu var kombinēt ar birstes stieni vai gumijas stieni.

Nedaudz pavērsiet abus stieņa galus un piespiediet, lai noņemtu stieni no sprauslas.

Lai uzstādītu stieni, iebīdīet stieņa galus sprauslas caurumos, līdz ir dzirdama „klikšķa” skaņa.

D4-1	Lielā grīdas sprausla	D4-2	Sprauslas atveres
D4-3	Gumijas blīve	D4-4	Stieņa gali

LV

INSTRUMENTGALVAS UZSTĀDĪŠANA/NOŅĒMŠANA

Lai uzstādītu, nospiediet putekļu tvertnes fiksatoru apakšējās daļas, nolaidiet instrumentgalvu uz putekļu tvertnes un pēc tam nospiediet putekļu tvertnes fiksatoru augšējās daļas. (E1 un E2 ATT.)

Lai noņemtu putekļu tvertni, nospiediet tās apakšējās daļas un pēc tam paceliet instrumentgalvu (E3 attēls).

PUTEKĻU SAVĀKŠANAS MAISIŅA IEVIETOŠANA/IZŅĒMŠANA

1. Atbloķējiet putekļu tvertni un paceliet instrumentgalvu.
2. Lai ievietotu putekļu savākšanas maisiņu, ievietojiet tikai putekļu savākšanas maisiņa plāksni putekļu savākšanas maisiņa kronšteina rievā, līdz plāksne nokrīt uz izcīļņiem. Pirms putekļu vai gruzu savākšanas ar rokām izvelciet putekļu savākšanas maisiņu (F1. attēls).

Lai izņemtu putekļu savākšanas maisiņu, nedaudz paceliet plāksni virs izcīļņiem un pēc tam izvelciet plāksni no rievas, lai izņemtu putekļu savākšanas maisiņu (F2 attēls).

F1-1	Putekļu savākšanas maisiņa kronšteins	F1-2	Rieva
F1-3	Putekļu savākšanas maisiņš	F1-4	Plāksne
F2-1	Izcīļņi		

EKSPLOATĀCIJA

PIELIETOJUMS

Šo izstrādājumu var lietot tālāk norādītajiem mērķiem:

- Šķidro atkritumu vai sauso putekļu uzsūkšana, ja tiek izmantota sūkšanas ieplūdes atvere.
- Funkcionē kā pūtējs, ja tiek izmantota izpūšanas izplūdes atvere.

AKUMULATORU BLOKA IEVIETOŠANA/IZŅĒMŠANA

Izmantojiet kopā tikai ar A3 attēlā norādītajiem EGO akumulatoru blokiem un lādētājiem.

Sīkāku informāciju izlasiet attiecīgā akumulatoru bloka un lādētāja rokasgrāmatā.

Pirms pirmās lietošanas reizes akumulators ir pilnībā jāuzlādē.

Piestiprināšana

Salāgojiet akumulatora izcīļņus ar stiprinājuma rievām un iespiediet akumulatoru bloku putekļsūcējā, līdz ir dzirdama „klikšķa” skaņa (G1 att.).

Izņemšana

Nospiediet akumulatora atbrīvošanas pogu un izņemiet akumulatoru bloku (G2 att.).

G1-1	Stiprinājuma rieva	G1-2	Izcīlnis
G2-1	Akumulatora atbrīvošanas poga		

PUTEKĻSŪCĒJA IESLĒGŠANA/APTURĒŠANA (H ATT.)

Putekļsūcēja ieslēgšana

1. Pārlicinieties, vai instrumentgalvas bloks ir uzstādīts uz putekļu tvertnes un vai putekļu tvertne ir stingri nofiksēta. Pārlicinieties, vai sūkšanas šļūtene, nepieciešamā(-ās) pagarinājuma caurule(-es) un uzgalis ir pareizi savienoti.

PIEZĪME! Putekļsūcējs darbojas tikai tad, ja instrumentgalvas bloks ir stingri piestiprināts putekļu tvertnei.

2. Ievietojiet akumulatoru bloku.
3. Nospiediet barošanas pogu, lai ieslēgtu putekļsūcēju.
4. Nospiediet ātruma regulēšanas pogu, lai izvēlētos zemu vai augstu ātrumu, un pēc tam nospiediet ieslēgšanas/apturēšanas pogu, lai ieslēgtu putekļsūcēju. Vai arī nospiediet TURBO pogu, lai ieslēgtu putekļsūcēju ar maksimālo ātrumu.

PIEZĪME! Ātrumu var regulēt arī putekļu sūkšanas laikā. Sīkāka informācija ir sniegta nodaļā "ĀTRUMA IZVĒLE".

Putekļsūcēja apturēšana

1. Kad darbs ar putekļsūcēju ir pabeigts, vai kad putekļu tvertne ir pilna, nospiediet ieslēgšanas/apturēšanas pogu, lai uz laiku apturētu putekļsūcēju.
2. Vai arī nospiediet barošanas pogu, lai pilnībā izslēgtu putekļsūcēju.
3. Izņemiet akumulatoru bloku.
4. Iztukšojiet putekļu tvertni piemērotā traukā vai kanalizācijā.

PIEZĪME! Pēc atkārtotas ieslēgšanas putekļsūcējs atsāks darboties ar iepriekš aktivizēto parasto ātruma iestatījumu.

Barošanas pogas indikators

Barošanas pogas indikators	Nozīme	Rīcība
Deg nepārtraukta zaļā gaisma	Gaidīšanas režīms	Nav jāveic neviena darbība. Pēc 1 stundas neaktivitātes perioda putekļsūcējs izslēdzas automātiski.
	Iekārta darbojas pareizi.	Normāla darbība.
6 reizes mirgo zaļā gaisma, pēc tam izslēdzas.	Šķidruma līmenis tvertnē sasniedzis šķidruma sensoru apakšējo daļu.	Izslēdziet putekļsūcēju, izņemiet akumulatoru un pēc tam iztukšojiet tvertni, ievērojot iztukšošanas norādījumus.
Nepārtraukti mirgo zaļā gaisma	Elektronikas kļūda	Lai saņemtu palīdzību, sazinieties ar EGO klientu apkalpošanas dienestu.

ĀTRUMA IZVĒLE

Parastā ātruma režīms

- Katru reizi, kad tiek nospiesta ātruma regulēšanas poga, ātrums pāriet no zemāka uz augstāku līmeni. Gaisa plūsmas padeves ātruma indikators deg zaļā krāsā atbilstoši pašreizējam ātruma līmenim.
- Putekļsūcējs saglabās pēdējo izmantoto ātruma iestatījumu, ar kādu tas atsāks darboties nākamajā ieslēgšanas reizē.

TURBO režīms

- Nospiediet TURBO pogu, un TURBO indikators iedegsies zaļā krāsā, putekļsūcējs sāks sūkt ar TURBO ātrumu, t.i., ar vislielāko ātrumu.
- TURBO režīmā vēlreiz nospiediet TURBO pogu vai nospiediet ātruma regulēšanas pogu, ieslēgšanas/apturēšanas pogu vai barošanas pogu — TURBO indikators izslēgsies un putekļsūcējs izies no TURBO režīma.

PIEZĪME! Pēc izešanas no TURBO režīma putekļsūcējs atsāks darboties ar iepriekš aktivizēto parasto ātrumu.

SŪKŠANAS REGULATORS (I attēls)

Putekļsūkšanas laikā sūkšanas šūtenes galā var regulēt gaisa plūsmu, pagriežot sūkšanas regulatoru. Pagrieziet regulatoru, lai atvērtu gaisa izplūdes atveri, tādējādi samazinot sūkšanas jaudu, vai pagrieziet regulatoru, lai aizvērtu gaisa izplūdes atveri, tādējādi palielinot sūkšanas jaudu.

Šī funkcija ir īpaši noderīga, ja sūkšanas šūtene uzsūc putekļus no paklājiem, drēbēm utt., pagrieziet regulatoru, lai atvērtu gaisa izplūdes atveri, un sūkšanas jauda samazināsies.

I-1	Sūkšanas regulators	I-2	Gaisa izplūde
-----	---------------------	-----	---------------

LV

TĀLVADĪBAS PULTS

- Tālvadības pulti var novietot uz sūkšanas šūtenes putekļsūkšanas laikā (J1. attēls).
- Kad putekļsūcējs ir ieslēgts, ar tālvadības pults palīdzību varat ieslēgt/izslēgt putekļsūcēju vai pārslēgt to TURBO režīmā.

PIEZĪME! Ar tālvadības pulti nevar pārslēgt parasto zemo vai lielo ātrumu.

- Tālvadības pulti var izmantot arī kā apgaismojumu tumšās vietās, īpaši, ja izmantojat spraugu un salaidumu vietu tīrīšanas uzgali.

Tālvadības pults savienošana pārī (J2. attēls)

Tālvadības pults tika savienota pārī ar putekļsūcēju jau rūpnīcā. Tomēr, ja tālvadības pults tiek bojāta vai nozaudēta, izpildiet tālāk norādītās darbības, lai savienotu pārī jauno tālvadības pulti ar putekļsūcēju.

1. Ievietojiet akumulatoru bloku.
2. Nospiediet barošanas pogu, lai ieslēgtu putekļsūcēju.
3. Nospiediet un ilgi pieturiet putekļsūcēja ieslēgšanas/izslēgšanas pogu, līdz barošanas pogas indikators sāk lēni mirgot zaļā krāsā.
4. Nospiediet TURBO pogu vai ieslēgšanas/izslēgšanas pogu uz tālvadības pults, tiklīdz barošanas pogas indikators sāk lēni mirgot zaļā krāsā.
5. Barošanas pogas indikators ātri mirgos zaļā krāsā un pēc tam degs nepārtraukti zaļā krāsā, norādot, ka savienošana pārī ir bijusi veiksmīga.

Tālvadības pults indikators

Tālvadības pults indikators	Nozīme	Rīcība
Ātra mirgošana zaļā krāsā	Tālvadības pults akumulatora uzlādes līmenis ir ļoti zems.	Uzlādējiet tālvadības pulti.
Lēna mirgošana zaļā krāsā	Tālvadības pults tiek uzlādēta.	Nekas cits nav jā dara.
Deg nepārtraukta zaļā gaismā	Tālvadības pults uzlāde ir pabeigta.	Odłączyc pilota i kabel do ładowania od zasilania.

LV

PIEZĪME! Parastas darbības laikā tālvadības pults indikators iedegas vienu reizi un pēc tam izslēdzas, kad vienreiz tiek nospiesta TURBO poga vai ieslēgšanas/izslēgšanas poga.

Tālvadības pults uzlāde (J3 attēls)

Tālvadības pults iekšpusē esošais akumulators ik pa laikam ir jāuzlādē.

⚠ BRĪDINĀJUMS! Lūdzu, ņemiet vērā turpmāk norādīto informāciju saistībā ar tālvadības pultī esošo uzlādējamo litiņa jonu akumulatoru:

- Ugunsbīstamības un apdedzināšanās risks.
- Neatvērt, nesaspīst, nesildīt virs 60 °C un nededzināt.
- Neveidot īssavienojumu.
- Ja rodas liels izliekums, pārtrauciet lietošanu.

1. Atveriet USB C pieslēgvietas vāciņu.

2. Pievienojiet komplektā iekļautā uzlādes vada USB C galu pie tālvadības pults USB C pieslēgvietas.
3. Savienojiet otru lādēšanas kabeļa galu ar saderīgu USB strāvas adapteri/lādētāju (nav iekļauts komplektā). Pilnībā izlādējušās akumulatora uzlāde var ilgt līdz 2 stundām.
4. Uzlādes beigās atvienojiet uzlādes vadu un aizveriet USB C pieslēgvietas vāciņu, lai pasargātu USB C pieslēgvietu no putekļiem.

J3-1	USB-C pieslēgvietas vāks	J3-2	USB C tipa pieslēgvietas
J3-3	Uzlādes vads		

DARBS AR PUTEKĻSŪCĒJU

Mitrās uzkopšanas sūkšana

- Neizmantojiet putekļu savākšanas maisiņu, strādājot ar putekļsūcēju mitrās uzkopšanas laikā.
- Kad putekļu tvertne ir pilna, nekavējoties izslēdziet putekļsūcēju. Iztukšojiet putekļu tvertni piemērotā tvertnē vai kanalizācijā.
- Periodiski iztīriet putekļu tvertni no iekšpuses, filtru un piederumus; tīrīšana biežāk būs nepieciešama, ja putekļsūcēju izmantosit slapju, lipīgu materiālu uzsūkšanai.

Sausās uzkopšanas sūkšana

- Pārliecinieties, vai filtrs pēc mitrās uzkopšanas ir pilnīgi sauss, vai arī izmantojiet otru sauso filtru sausās uzkopšanas sūkšanas laikā. Mitrī vai slapji filtri aizsērē ar putekļiem vai sapelē.
- Lai samazinātu silīcija dioksīda putekļu iedarbību, izmantojiet putekļu savākšanas maisiņu.
- Ja putekļu savākšanas maisiņš vai putekļu tvertne ir pilna, nekavējoties izslēdziet putekļsūcēju.
- Iztukšojiet putekļu tvertni piemērotā tvertnē vai kanalizācijā.

Pūšanas funkcija

⚠ BRĪDINĀJUMS! Ja izmantojat šo iekārtu kā pūtēju, vienmēr lietojiet acu aizsarglīdzekļus.

⚠ BRĪDINĀJUMS! Nepūti uzliesmojošas vai viegli uzliesmojošas vielas, piemēram, benzīnu, un nelietojiet putekļsūcēju vietās, kur var būt šādas vielas. Var rasties ugunsgrēks.

⚠ BRĪDINĀJUMS! Nenovirziet gaisa plūsmu cilvēku vai mājdzīvnieku virzienā.

APKOPE

▲ BRĪDINĀJUMS! Lai izvairītos no miesas bojājumiem, pirms iekārtas apkopes vai tīrīšanas darbu veikšanas, papildierīču nomaiņas vai ūdens izliešanas no tās, izņemiet no iekārtas akumulatoru bloku.

VISPĀRĒJĀ APKOPE

Plastmasas detaļu tīrīšanai neizmantojiet šķīdinātājus. Vairums plastmasu ir uzņēmīgas pret dažāda veida komerciālu šķīdinātāju radītiem bojājumiem un, tos izmantojot, var tikt sabojātas. Lai notīrītu netīrumus, putekļus, eļļu, smērvielas u.c., izmantojiet tīras lupatiņas.

▲ BRĪDINĀJUMS! Plastmasas daļas nekādā gadījumā nedrīkst saskarties ar bremžu šķidrumu, degvielu, naftas produktiem, iesūcošos eļļu un tamlīdzīgi. Ķīmiskās vielas var radīt bojājumus, kā arī mazināt plastmasas daļas izturību vai iznīcināt tās, radot smagus miesas bojājumus.

▲ BRĪDINĀJUMS! Lai samazinātu īssavienojuma rašanās risku, kas izraisa ugunsgrēku, miesas bojājumu un iekārtas bojājumu draudus, nekad neiegremdējiet iekārtu, akumulatoru bloku vai lādētāju šķidrumā un neļaujiet šķidrumam tajos iekļūt. Īssavienojumu var izraisīt korozīvi vai vadītspējīgi šķidrumi, piemēram, jūras ūdens, noteiktas rūpnieciskās ķīmikālijas un balinātāji vai balinātājus saturoši produkti utt.

PUTEKĻU TVERTNES IZTUKŠOŠANA

1. Noņemiet drenāžas atveres vāciņu, lai iztukšotu putekļu tvertnē esošo šķidrumu piemērotā tvertnē vai kanalizācijā, ja tas ir iespējams.
2. Noņemiet instrumentgalvu no putekļu tvertnes.
3. Izņemiet putekļu savākšanas maisiņu, ja tas ir ievietots.
4. Izīrīet no putekļu tvertnes visus netīrumus vai grūzus un izmāzģājiet to saudzīgā ziepūdenī.
5. Pirms uzstādāt atpakaļ instrumentgalvu, pagaidiet, kamēr nožūst putekļu tvertne.

FILTRA APKOPE

Filtra pašattīrīšanās sistēma

1. Pievienojiet sūkšanas šūteni putekļsūcēja sūkšanas iepļūdes atveri un otru šūtenes galu uzlieciet uz filtra pašattīrīšanās sistēmas aizbāžņa (K1 attēls).
2. Ievietojiet akumulatoru, nospiediet barošanas pogu, lai ieslēgtu putekļsūcēju.
3. Izvēlieties nepieciešamo ātruma režīmu un nospiediet ieslēgšanas/izslēgšanas pogu, lai ieslēgtu putekļsūcēju.

4. Nospiediet filtra pašattīrīšanās sistēmas pogu, lai iztīrītu filtru (K2. attēls).

PADOMI: Lai panāktu vislabāko tīrīšanas efektu, katru reizi ieteicams izvēlēties TURBO režīmu, piecas reizes nospiešot filtra pašattīrīšanās sistēmas pogu un turēt nospiestu 3 sekundes.

K1-1	Sūkšanas iepļūdes atvere	K1-2	Sūkšanas šūtene
K1-3	Filtra pašattīrīšanās sistēmas aizbāžnis	K2-1	Filtra pašattīrīšanās sistēmas poga

Filtra mazgāšana

Izņemiet akumulatoru un pārbaudiet filtru, paceļot uz augšu instrumentgalvu. Ja filtrs joprojām ir netīrs pēc sadaļā "Filtra pašattīrīšanās sistēma" aprakstīto darbību veikšanas, izņemiet filtru un izskalojiet to aukstā ūdenī. Ļaujiet filtram pilnībā izžūt un pēc tam ievietojiet to atpakaļ.

Filtra nomaiga (L1 un L2 attēls)

▲ BRĪDINĀJUMS! Periodiski pārbaudiet filtru un nomainiet, ja tas ir nolietojies vai bojāts. Bojāta filtra izmantošana var izraisīt nevēlamu gaisā esošo piesārņotāju izdalīšanos no putekļsūcēja tvertnes.

1. Paceliet instrumentgalvu un novietojiet to uz sāniem (L1 attēls).
2. Atskrūvējiet filtra kronšteina turētāju un izvelciet kronšteinu reizē ar filtru (L2 attēls).
3. Notīriet putekļus un grūzus no filtra daļas ar mitru drānu.
4. Ielieciet kronšteinā jaunu vai iztīrītu filtru.
5. Ievietojiet kronšteinu filtra daļā un nolokiet turētāju.

L1-1	Turētājs	L1-2	Filtra kronšteins
------	----------	------	-------------------

LV

PUTEKĻSŪCĒJA UZGLABĀŠANA

1. Izņemiet no putekļsūcēja akumulatoru bloku
2. Pirms novietošanas uzglabāšanas rūpīgi iztīriet putekļsūcēju.
3. Uzglabājiet putekļsūcēju sausā, labi vēdināmā un aizslēdzamā telpā vai kādā augstākā vietā, kurā tam nevar piekļūt bērni. Neuzglabājiet putekļsūcēju blakus mēslojumam, benzīnam vai citām ķīmikālijām.

APKĀRTĒJĀS VIDES AIZSARDZĪBA



Neutilizējiet elektrisko aprīkojumu, izlieto akumulatoru un lādētāju sadzīves atkritumos! Nogādājiet šo produktu uz pilnvarotu pārstrādes punktu un sagatavojiet atkritumu šķirošanai. Elektriskos instrumentus jānogādā videi nekaitīgā pārstrādes rūpniecībā.

KĻŪDU NOVĒRŠANA

PROBLĒMA	CĒĻONIS	RISINĀJUMS
Putekļsūcēju neizdodas ieslēgt.	<ul style="list-style-type: none"> ■ Zems akumulatoru bloka uzlādes līmenis. ■ Akumulatoru bloks nav pareizi ievietots. 	<ul style="list-style-type: none"> ■ Uzlādējiet akumulatoru bloku. ■ Ievietojiet akumulatoru bloku akumulatora nodalījumā, to piespiežot, līdz tas nofiksējas.
Putekļsūcēja jauda ir vāja	<ul style="list-style-type: none"> ■ Aizsērējusi sūkšanas šļūtene vai sūkšanas ievēšanas atvere. ■ Filtrs ir aizsērējis ar sīkām putekļu daļiņām. ■ Putekļu tvertne ir pilna. ■ Zems akumulatoru bloka uzlādes līmenis. ■ Putekļu tvertnei noņemts iztukšošanas atveres vāciņš. 	<ul style="list-style-type: none"> ■ Pārbaudiet, vai sūkšanas šļūtenē vai sūkšanas ievēšanas atverē nav aizsprostojuma, un, ja nepieciešams, iztīriet. ■ Iztīriet filtru, ievērojot šīs rokasgrāmatas sadaļu "FILTRA APKOPE". ■ Iztukšojiet putekļu tvertni. ■ Uzlādējiet akumulatoru bloku ■ Uzlieciet iztukšošanas atveres vāciņu uz putekļu tvertnes.
Putekļsūcējs darbojas, bet nesūc.	<ul style="list-style-type: none"> ■ Instrumentgalva nav pilnībā uzstādīta uz putekļu tvertnes. 	<ul style="list-style-type: none"> ■ Pārliedzieties, vai instrumentgalva ir pilnībā uzstādīta uz putekļu tvertnes.
Putekļi izplūst no izpūšanas izplūdes atveres.	<ul style="list-style-type: none"> ■ Nav filtra vai tas ir nepareizi ievietots. ■ Filtrs ir bojāts. 	<ul style="list-style-type: none"> ■ Pārbaudiet, vai filtrs ir pareizi ievietots. ■ Nomainiet jaunu filtru.
Putekļsūcēju nevar vadīt ar tālvadības pulti.	<ul style="list-style-type: none"> ■ Tālvadības pults nav savienota ar putekļsūcēju. ■ Tālvadības pults uzlādes līmenis ir zems. ■ Tālvadības pults ir bojāta. 	<ul style="list-style-type: none"> ■ Savienojiet pāri tālvadības pulti ar putekļsūcēju, ievērojot šīs rokasgrāmatas sadaļu "Tālvadības pults savienošana pāri". ■ Uzlādējiet tālvadības pulti. ■ Izmantojiet jaunu tālvadības pulti un veiciet tālvadības pults savienošana pāri.

LV

GARANTĪJA

EGO GARANTĪJAS POLITIKA

Lūdzam apmeklēt tīmekļa vietni egopowerplus.eu, kur pieejama pilna EGO garantijas politikas noteikumu un nosacījumu versija.

ΔΙΑΒΑΣΤΕ ΟΛΕΣ ΤΙΣ ΟΔΗΓΙΕΣ!



ΔΙΑΒΑΣΤΕ ΤΟ ΕΓΧΕΙΡΙΔΙΟ ΧΡΗΣΗΣ

⚠ ΠΡΟΕΙΔΟΠΟΙΗΣΗ: Προκειμένου να διασφαλιστεί η ασφάλεια και η αξιοπιστία, όλες οι επισκευές πρέπει να διενεργούνται από εξειδικευμένο τεχνικό σέρβις.

ΣΥΜΒΟΛΑ ΑΣΦΑΛΕΙΑΣ

Ο σκοπός των συμβόλων ασφαλείας είναι να σας επιστήσουν την προσοχή σε ενδεχόμενους κινδύνους. Λαμβάνετε υπόψη και εξοικειωθείτε με τα σύμβολα ασφαλείας και τις επεξηγήσεις που τα συνοδεύουν. Τα σύμβολα προειδοποίησης από μόνα τους δεν εξαλείφουν κανέναν κίνδυνο. Οι οδηγίες και οι προειδοποιήσεις που παρέχουν δεν υποκαθιστούν τα ενδεδειγμένα μέτρα πρόληψης ατυχημάτων.

⚠ ΠΡΟΕΙΔΟΠΟΙΗΣΗ: Βεβαιωθείτε ότι έχετε διαβάσει και κατανοήσει όλες τις οδηγίες ασφαλείας στο παρόν εγχειρίδιο χρήσης, συμπεριλαμβανομένων όλων των συμβόλων ασφαλείας, όπως «**ΚΙΝΔΥΝΟΣ**», «**ΠΡΟΕΙΔΟΠΟΙΗΣΗ**» και «**ΠΡΟΣΟΧΗ**», προτού να χρησιμοποιήσετε αυτό το μηχάνημα. Η μη τήρηση όλων των παρακάτω οδηγιών μπορεί να οδηγήσει σε ηλεκτροπληξία, πυρκαγιά και/ή σοβαρό τραυματισμό.

ΕΠΕΞΗΓΗΣΗ ΣΥΜΒΟΛΩΝ

⚠ ΣΥΜΒΟΛΟ ΠΡΟΕΙΔΟΠΟΙΗΣΗΣ ΑΣΦΑΛΕΙΑΣ: Υποδηλώνει **ΚΙΝΔΥΝΟ**, **ΠΡΟΕΙΔΟΠΟΙΗΣΗ** ή **ΠΡΟΦΥΛΑΞΗ**, ενώ μπορεί να χρησιμοποιείται σε συνδυασμό με άλλα σύμβολα ή εικονογράμματα.

ΟΔΗΓΙΕΣ ΑΣΦΑΛΕΙΑΣ

Αυτή η σελίδα απεικονίζει και περιγράφει τα σύμβολα ασφαλείας που μπορεί να υπάρχουν επάνω στο προϊόν. Διαβάζετε, κατανοείτε και τηρείτε όλες τις οδηγίες στη μηχανή, προτού προσπαθήσετε να εκτελέσετε εργασίες συναρμολόγησης και λειτουργίας.



Προειδοποίηση ασφαλείας



Τα απόβλητα ειδών ηλεκτρικού και ηλεκτρονικού εξοπλισμού δεν πρέπει να απορρίπτονται στα οικιακά απορρίμματα. Παραδώστε τα σε εξουσιοδοτημένη μονάδα ανακύκλωσης.



Αυτό το προϊόν συμμορφώνεται με τις εφαρμοστές οδηγίες της ΕΚ.

IPX4 Προστασία από εκτοξευμένο νερό

kg Κιλό

°C Βαθμοί Κελσίου

Pa Pascal



Προκειμένου να μειωθεί ο κίνδυνος τραυματισμού, ο χρήστης πρέπει να διαβάσει το εγχειρίδιο χρήσης.



Συνεχές ρεύμα



Αξιολογήθηκε η συμμόρφωση HB

L Λίτρο

V Βολτ

l/min Λίτρο πριν από το λεπτό

GR

⚠ ΠΡΟΕΙΔΟΠΟΙΗΣΗ: Διαβάστε και κατανοήστε όλες τις οδηγίες. Η μη τήρηση όλων των παρακάτω οδηγιών μπορεί να οδηγήσει σε ηλεκτροπληξία, πυρκαγιά και/ή σοβαρό τραυματισμό.


Η συσκευή αυτή δεν προορίζεται για χρήση από άτομα (μεταξύ των οποίων και παιδιά) με μειωμένες φυσικές, αισθητηριακές ή διανοητικές ικανότητες, ή έλλειψη εμπειρίας και γνώσης, εκτός εάν υπάρχει επίβλεψη ή τους έχουν δοθεί οδηγίες αναφορικά με τη χρήση της συσκευής από άτομα που είναι υπεύθυνα για την ασφάλεια τους.

- Τα παιδιά θα πρέπει να βρίσκονται υπό επίβλεψη, ώστε να διασφαλιστεί πως δε θα παίξουν με τη συσκευή.
- Μην εκθέτετε τη συσκευή ή την μπαταρία σε υπερβολικές θερμοκρασίες.
- Λαμβάνετε υπόψη τον κίνδυνο βραχυκυκλώματος από μεταλλικά αντικείμενα των ακροδεκτών της συσκευής με λειτουργία μπαταρίας ή της ίδιας της μπαταρίας.
- Αφαιρείτε τις επαναφορτιζόμενες μπαταρίες πριν από τη φόρτιση της συσκευής.
- Δεν πρέπει να αναμειγνύονται διαφορετικοί τύποι μπαταριών ή νέες και μεταχειρισμένες μπαταρίες.
- Οι άδειες μπαταρίες πρέπει να αφαιρούνται από τη συσκευή και να απορρίπτονται με ασφάλεια.
- Εάν η συσκευή δεν πρόκειται να χρησιμοποιηθεί για μεγάλο διάστημα και αποθηκευτεί, αφαιρείτε τις μπαταρίες.
- Μη χρησιμοποιείτε μη επαναφορτιζόμενες μπαταρίες αντί για επαναφορτιζόμενες μπαταρίες.
- Μη χρησιμοποιείτε τροποποιημένες ή κατεστραμμένες μπαταρίες.
- **Χρησιμοποιήστε μόνο με τις καθορισμένες συστοιχίες μπαταριών και τους φορτιστές**

Φυλάξτε αυτές τις οδηγίες. Ανατρέχετε σε αυτές συχνά και χρησιμοποιήστε τις για να καθοδηγήσετε άλλους που ενδέχεται να χρησιμοποιήσουν αυτό το μηχάνημα. Εάν δανείσετε σε κάποιον αυτήν τη μηχανή, δανείστε και αυτές τις οδηγίες, ώστε να αποτρέψετε τη λανθασμένη χρήση του προϊόντος και ενδεχόμενους τραυματισμούς.

GR

ΤΕΧΝΙΚΕΣ ΠΡΟΔΙΑΓΡΑΦΕΣ

Τάση	56 V 		
Χωρητικότητα δοχείου συλλογής σκόνης	34 L		
Λειτουργία ταχύτητας	Χαμηλό	Υψηλό	TOY-PMΠO
Μέγ. Ροή αέρα (L/min)	1.900	2.500	3.100
Μέγ. Ισχύς αναρρόφησης (Pa)	10.000	15.900	24.800

Τηλεχειριστήριο	Θερμοκρασία φόρτισης	0 °C - 45°C
	Μέγ. Τάση φόρτισης	5 V
	Μέγ. Ρεύμα φόρτισης	1 A
Βάρος (χωρίς συστοιχία μπαταριών)		12,1 kg
Συνιστώμενη θερμοκρασία λειτουργίας		-5°C - 40°C
Συνιστώμενη θερμοκρασία αποθήκευσης		-20°C – 70°C

ΚΑΤΑΛΟΓΟΣ ΣΥΣΚΕΥΑΣΙΑΣ (ΕΙΚ. Α1 ΚΑΙ Α2)

ΣΥΝΙΣΤΩΜΕΝΑ ΠΑΡΕΛΚΟΜΕΝΑ

⚠ ΠΡΟΕΙΔΟΠΟΙΗΣΗ: Χρησιμοποιήστε μόνο τα αξεσουάρ που αναφέρονται παρακάτω. Η χρήση αξεσουάρ που δεν ανταποκρίνονται στις αρχικές τεχνικές προδιαγραφές του εξοπλισμού μπορεί να οδηγήσει σε μειωμένη απόδοση και να θέσει σε κίνδυνο την ασφάλεια.

ΟΝΟΜΑ ΕΞΑΡΤΗΜΑΤΟΣ	ΑΡΙΘΜΟΣ ΜΟΝΤΕΛΟΥ
Σακούλες συλλογής σκόνης (5 τεμάχια)	AVG0905
Φίλτρο αντικατάστασης	AVF0900

ΠΕΡΙΓΡΑΦΗ

ΓΝΩΡΙΣΤΕ ΤΗΝ ΗΛΕΚΤΡΙΚΗ ΣΚΟΥΠΑ ΣΑΣ ΓΙΑ ΥΓΡΑ ΚΑΙ ΣΤΕΡΕΑ (Εικ. Α1 και Α2)

1. Συγκρότημα ηλεκτρικής κεφαλής
2. Λαβή
3. Διαμέρισμα αποθήκευσης αξεσουάρ
4. Μάνταλο δοχείου συλλογής σκόνης (x2)
5. Πίσω τροχός (x2)
6. Δοχείο συλλογής σκόνης
7. Τροχός ρουλεμάν με φρένο (x2)
8. Καπάκι θύρας αποστράγγισης
9. Ακροφύσιο για χαραμάδες
10. Θύρα εισόδου αναρρόφησης
11. Πίνακας χειρισμού

12. Υποδοχές αποθήκευσης του σωλήνα της σκούπας
13. Θύρα εξόδου αέρα
14. Προσωρινή αποθήκευση εξαρτημάτων
15. Μεγάλο ακροφύσιο δαπέδου + ράβδος βούρτσας
16. Σωλήνες επέκτασης
17. Κουμπί αποδέσμευσης μπαταριών
18. Κουμπί αυτοκαθαρισμού φίλτρου
19. Τάπα αυτοκαθαρισμού φίλτρου
20. Σωλήνας σκούπας
21. Κουμπί αποδέσμευσης σωλήνα
22. Ρυθμιστικό αναρρόφησης
23. Βάση τηλεχειριστήριου
24. Μπάρα από καουτσούκ
25. Σακούλα σκόνης
26. Καλώδιο φόρτισης για το τηλεχειριστήριο
27. Τηλεχειριστήριο
28. Στρογγυλό ακροφύσιο βούρτσας ξεσκονίσματος
29. Μικρό ακροφύσιο δαπέδου
30. Προσαρμογέας ηλεκτρικού εργαλείου
31. Κουμπί λειτουργίας
32. Κουμπί ενεργοποίησης/απενεργοποίησης
33. Κουμπί ταχύτητας
34. Ένδειξη ταχύτητας
35. Κουμπί ΤΟΥΡΜΠΟ
36. Ένδειξη ΤΟΥΡΜΠΟ
37. Φίλτρο
38. Βραχιόνας φίλτρου
39. Αισθητήρας υγρού (x4)
40. Σακούλα συλλογής σκόνης
41. Θύρα αποστράγγισης

ΣΥΝΑΡΜΟΛΟΓΗΣΗ

ΣΥΝΔΕΣΗ/ΑΠΟΣΥΝΔΕΣΗ ΤΟΥ ΣΩΛΗΝΑ ΣΚΟΥΠΑΣ

Για να τον συνδέσετε, πιέστε το άκρο του σωλήνα στη θύρα εισόδου αναρρόφησης ή στη θύρα εξόδου του ψοθητήρα, μέχρι να ακούσετε έναν ήχο «κλικ». (Εικ. Β1).

Για να τον αποσυνδέσετε, πατήστε και κρατήστε πατημένα τα κουμπιά απελευθέρωσης του σωλήνα για να αφαιρέσετε τον σωλήνα (Εικ. Β2).

B1-1	Σωλήνας σκούπας	B1-2	Θύρα εισόδου αναρρόφησης
------	-----------------	------	--------------------------

B1-3	Θύρα εξόδου αέρα	B2-1	Κουμπί αποδέσμευσης σωλήνα
------	------------------	------	----------------------------

ΣΥΝΔΕΣΗ/ΑΠΟΣΥΝΔΕΣΗ ΤΩΝ ΣΩΛΗΝΩΝ ΕΠΕΚΤΑΣΗΣ (ΕΙΚ. C)

Συνδέστε έναν ή δύο σωλήνες επέκτασης στον σωλήνα της ηλεκτρικής σκούπας ανάλογα με τις ανάγκες σας.

Για να συνδέσετε έναν σωλήνα, εισαγάγετε το στενό άκρο του σωλήνα επέκτασης στον κύριο σωλήνα της σκούπας, όσο πιο βαθιά φτάνει, μέχρι να ασφαλίσει στη θέση του.

Για να τον αποσυνδέσετε, τραβήξτε το σωλήνα επέκτασης για να βγει από τον σωλήνα της σκούπας.

Ο δεύτερος σωλήνας επέκτασης συνδέεται/αποσυνδέεται με τον πρώτο σωλήνα με τον ίδιο τρόπο.

C-1	Σωλήνας σκούπας	C-2	Στενό άκρο
C-3	Πλατύ άκρο	C-4	Σωλήνες επέκτασης

ΤΟΠΟΘΕΤΗΣΗ/ΑΦΑΙΡΕΣΗ ΤΩΝ ΑΚΡΟΦΥΣΙΩΝ

Επιλέξτε ένα κατάλληλο ακροφύσιο για να το τοποθετήσετε απευθείας στον σωλήνα της ηλεκτρικής σκούπας ή στον σωλήνα προέκτασης ανάλογα με τις ανάγκες σας (Εικ. D1).

- Για να συνδέσετε το ακροφύσιο με το σωλήνα επέκτασης, εισαγάγετε το ακροφύσιο στο σωλήνα επέκτασης όσο πιο βαθιά μπορείτε, μέχρι να ασφαλίσει στη θέση του. Για να το αποσυνδέσετε, τραβήξτε το ακροφύσιο έξω από το σωλήνα προέκτασης.
- Για να συνδέσετε το ακροφύσιο απευθείας στον σωλήνα της σκούπας, ευθυγραμμίστε την προεξοχή στο ακροφύσιο με την εγκοπή στον σωλήνα και εισαγάγετε το ακροφύσιο στον σωλήνα, μέχρι να ακούσετε ένα «κλικ». Για να αποσυνδέσετε, πατήστε και κρατήστε πατημένο το κουμπί απελευθέρωσης για να αφαιρέσετε το ακροφύσιο.

D1-1	Κουμπί αποδέσμευσης	D1-2	Εγκοπή
D1-3	Σωλήνες επέκτασης (προαιρετικοί)	D1-4	Κουμπί
D1-5	Ακροφύσιο		

Ακροφύσιο για χαραμάδες (Εικ. D2)

Οι σκοτεινές περιοχές μπορούν να καθαριστούν εύκολα, με τη χρήση του ακροφυσίου για χαραμάδες σε συνδυασμό με το ενσωματωμένο φως του τηλεχειριστηρίου.

Συνδέστε το ακροφύσιο για χαραμάδες στον εύκαμπο σωλήνα της ηλεκτρικής σκούπας και κουμπώστε το τηλεχειριστήριο στη βάση στήριξης του τηλεχειριστηρίου στον εύκαμπο σωλήνα της ηλεκτρικής σκούπας. Πατήστε το κουμπί φωτισμού στο τηλεχειριστήριο και το διαφανές ακροφύσιο χαραμάδων θα αναψει.

D2-1	Ακροφύσιο για χαραμάδες	D2-2	Κουμπί φωτός
D2-3	Τηλεχειριστήριο		

Προσαρμογές ηλεκτρικού εργαλείου (Εικ. D3)

Ο προσαρμογές ηλεκτρικού εργαλείου επιτρέπει τη σύνδεση της ηλεκτρικής σκούπας σε ηλεκτρικό εργαλείο με έξοδο σκόνης 32 mm.

Με τον εύκαμπο σωλήνα της ηλεκτρικής σκούπας συνδεδεμένο στη θύρα εισόδου αναρρόφησης της ηλεκτρικής σκούπας, εισαγάγετε τον προσαρμογέα ηλεκτρικού εργαλείου στην ηλεκτρική σκούπα όσο πιο βαθιά μπορείτε, μέχρι να ασφαλίσει ο προσαρμογέας ηλεκτρικού εργαλείου στη θέση του και, στη συνέχεια, συνδέστε τον προσαρμογέα στην έξοδο σκόνης του ηλεκτρικού εργαλείου.

ΠΡΟΕΙΔΟΠΟΙΗΣΗ: Ο προσαρμογέας ηλεκτρικού εργαλείου δεν μπορεί να συνδεθεί με τον σωλήνα (ή τους σωλήνες) επέκτασης. Η άσκηση δύναμης για να γίνει η εγκατάσταση μπορεί να προκαλέσει ζημιά στον προσαρμογέα του ηλεκτρικού εργαλείου ή στο σωλήνα (ή στους σωλήνες επέκτασης).

D3-1	Ηλεκτρικό εργαλείο (δεν παρέχεται)	D3-2	Προσαρμογέας ηλεκτρικού εργαλείου
D3-3	Σωλήνας σκούπας	D3-4	Θύρα εισόδου αναρρόφησης

GR

Μεγάλο ακροφύσιο δαπέδου + μπάρα βούρτσας/ μπάρα καουτσούκ (Εικ. D4)

Το μεγάλο ακροφύσιο δαπέδου μπορεί να συνδυαστεί με την μπάρα βούρτσας ή την μπάρα από καουτσούκ.

Ανοίξει ελαφρά και τα δύο άκρα της μπάρας και πιέστε τα άκρα προς τα κάτω για να αφαιρέσετε τη μπάρα από το ακροφύσιο.

Για να εγκαταστήσετε την μπάρα, στρώξετε τα άκρα της μπάρας μέσα στις οπές του ακροφυσίου μέχρι να ακούσετε ένα «κλικ».

D4-1	Μεγάλο ακροφύσιο δαπέδου	D4-2	Οπές ακροφυσίου
------	--------------------------	------	-----------------

D4-3	Μπάρα από καουτσούκ	D4-4	Άκρα της μπάρας
------	---------------------	------	-----------------

ΕΓΚΑΤΑΣΤΑΣΗ/ΑΦΑΙΡΕΣΗ ΤΟΥ ΣΥΓΚΡΟΤΗΜΑΤΟΣ ΤΗΣ ΗΛΕΚΤΡΙΚΗΣ ΚΕΦΑΛΗΣ

Για να το εγκαταστήσετε, πιέστε το κάτω μέρος στο μάνταλο του δοχείου συλλογής σκόνης, χαμηλώστε το συγκρότημα της ηλεκτρικής κεφαλής μέχρι το δοχείο συλλογής σκόνης και, στη συνέχεια, πιέστε τα πάνω μέρη των μανταλών του δοχείου (Εικ. E1 και E2).

Για να το αφαιρέσετε, πιέστε τα κάτω μέρη του δοχείου συλλογής σκόνης και, στη συνέχεια, ανασηκώστε το συγκρότημα της ηλεκτρικής κεφαλής (Εικ. E3).

ΤΟΠΟΘΕΤΗΣΗ/ΑΦΑΙΡΕΣΗ ΤΟΥ ΤΣΟΚ

1. Ξεκλειδώστε το δοχείο σκόνης και ανασηκώστε το συγκρότημα της ηλεκτρικής κεφαλής.
2. **Για να την εγκαταστήσετε,** τοποθετήστε μόνο την πλάκα της σακούλας σκόνης στην υποδοχή του βραχίονα της σακούλας σκόνης, μέχρι η πλάκα να γλιστρήσει μέσα στα αυλάκια. Ξεδιπλώστε με το χέρι τη σακούλα συλλογής σκόνης, πριν από να σκουπίσετε σκόνη ή άλλους στέρεους ρύπους (Εικ. F1).

Για να την αφαιρέσετε, ανασηκώστε ελαφρά την πλάκα πάνω από τα αυλάκια και, στη συνέχεια, τραβήξτε την πλάκα από την υποδοχή για να αφαιρέσετε τη σακούλα σκόνης (Εικ. F2).

F1-1	Σακούλα συλλογής σκόνης	F1-2	Υποδοχή
F1-3	Σακούλα σκόνης	F1-4	Πλάκα
F2-1	Αυλάκια		

ΛΕΙΤΟΥΡΓΙΑ

ΕΦΑΡΜΟΓΗ

Μπορείτε να χρησιμοποιήσετε αυτό το προϊόν για τους ακόλουθους σκοπούς:

- Ρουφάει υγρά ή ξηρή σκόνη, όταν χρησιμοποιείται η θύρα εισόδου αναρρόφησης.
- Λειτουργεί ως φυσητήρας, όταν χρησιμοποιείται η θύρα εξόδου φυσήματος.

ΠΡΟΣΑΡΤΗΣΗ/ΑΠΟΜΑΚΡΥΝΣΗ ΤΗΣ ΣΥΣΤΟΙΧΙΑΣ ΜΠΑΤΑΡΙΩΝ

Πρέπει να χρησιμοποιούνται μόνο οι συστοιχίες μπαταριών και οι φορτιστές της EGO που αναφέρονται στην Εικ. A3.

Ανατρέξτε στα αντίστοιχα εγχειρίδια των συστοιχιών μπαταριών και των φορτιστών για περισσότερες λεπτομέρειες.

Φορτίστε πλήρως πριν από την πρώτη χρήση.

Προσάρτηση

Ευθυγραμμίστε τις νευρώσεις της συστοιχίας μπαταριών με τις οπές τοποθέτησης και γλιστρήστε τη συστοιχία μπαταριών προς τα κάτω, μέχρι να ακούσετε «κλικ» (Εικ. G1).

Αφαίρεση

Πιέστε το κουμπί αποδέσμευσης της συστοιχίας μπαταριών και τραβήξτε την προς τα έξω (Εικ. G2).

G1-1	Υποδοχή τοποθέτησης	G1-2	Αυλάκι
G2-1	Κουμπί αποδέσμευσης μπαταριών		

ΕΝΕΡΓΟΠΟΙΗΣΗ/ΑΠΕΝΕΡΓΟΠΟΙΗΣΗ ΤΗΣ ΣΚΟΥΠΑΣ ΥΡΓΩΝ/ΣΤΕΡΕΩΝ (ΕΙΚ. Η)

Για να θέσετε σε λειτουργία την ηλεκτρική σκούπα

- Βεβαιωθείτε ότι το συγκρότημα της ηλεκτρικής κεφαλής έχει τοποθετηθεί στο δοχείο σκόνης και ότι το δοχείο σκόνης είναι σταθερά ασφαλισμένο στη θέση του. Βεβαιωθείτε ότι ο σωλήνας της σκούπας, ο σωλήνας επέκτασης και το ακροφύσιο έχουν συνδεθεί σωστά.

ΣΗΜΕΙΩΣΗ: Η ηλεκτρική σκούπα λειτουργεί μόνο όταν το συγκρότημα της ηλεκτρικής κεφαλής είναι σταθερά ασφαλισμένο στο δοχείο συλλογής σκόνης.

- Εγκαταστήστε τη συστοιχία μπαταριών.
- Πατήστε το κουμπί λειτουργίας για να ενεργοποιήσετε την ηλεκτρική σκούπα.
- Πατήστε το κουμπί ρύθμισης ταχύτητας για να επιλέξετε χαμηλή ή υψηλή ταχύτητα και, στη συνέχεια, πατήστε το κουμπί έναρξης/πύαυσης για να ξεκινήσετε την ηλεκτρική σκούπα. Η, πατήστε το κουμπί ΤΟΥΡΜΠΟ για να εκκινήσετε την ηλεκτρική σκούπα απευθείας στη μέγιστη ταχύτητα.

ΣΗΜΕΙΩΣΗ: Η ταχύτητα μπορεί επίσης να ρυθμιστεί κατά τη διάρκεια του σκουπισματος. Για περισσότερες πληροφορίες ανατρέξτε στο κεφάλαιο «ΕΠΙΛΟΓΗ ΤΑΧΥΤΗΤΑΣ».

Για να σταματήσετε τη λειτουργία της σκούπας

- Όταν ολοκληρωθεί το σκούπισμα ή όταν το δοχείο συλλογής σκόνης γεμίσει, πατήστε το κουμπί

ενεργοποίησης/απενεργοποίησης για να σταματήσετε προσωρινά την ηλεκτρική σκούπα.

2. Ή πατήστε το κουμπί λειτουργίας για να απενεργοποιήσετε εντελώς την ηλεκτρική σκούπα.
3. Αφαιρέστε τη συστοιχία μπαταριών.
4. Αδειάστε το δοχείο συλλογής σκόνης σε κατάλληλο κάδο ή αποχέτευση.

ΣΗΜΕΙΩΣΗ: Η ηλεκτρική σκούπα θα επανέλθει στην προηγούμενη ενεργή ρύθμιση κανονικής ταχύτητας κατά την επανεκκίνηση.

Ένδειξη κουμπιού λειτουργίας

Ένδειξη κουμπιού λειτουργίας	Επεξήγηση	Ενέργεια
Σταθερά πράσινη	Αναμονή	Δεν απαιτούνται ενέργειες. Η ηλεκτρική σκούπα θα απενεργοποιηθεί αυτόματα μετά από 1 ώρα αδράνειας
	Το μήνημα λειτουργεί κανονικά.	Κανονική λειτουργία.
Αναβοσβήνει 6 φορές με πράσινο χρώμα και στη συνέχεια σβήνει.	Η στάθμη του υγρού στο δοχείο φτάνει στο κάτω άκρο των αισθητήρων υγρού	Σταματήστε την ηλεκτρική σκούπα, αφαιρέστε τη συστοιχία μπαταριών και, στη συνέχεια, αδειάστε το δοχείο, σύμφωνα με τις οδηγίες αδειάσματος.
Αναβοσβήνει συνεχώς πράσινο	Σφάλμα ηλεκτρονικών στοιχείων	Επικοινωνήστε με την υπηρεσία εξυπηρέτησης πελατών της EGO για βοήθεια

GR

ΕΠΙΛΟΓΗ ΤΑΧΥΤΗΤΑΣ

Λειτουργία κανονικής ταχύτητας

- Κάθε φορά που πατιέται το κουμπί πίεσης, η ταχύτητα εναλλάσσεται μεταξύ χαμηλής και υψηλής τιμής. Η ένδειξη ταχύτητας αέρα έχει πράσινα φωτάκια που αντιστοιχούν στο τρέχον επίπεδο ταχύτητας.
- Η σκούπα θα αποθηκεύσει την τελευταία χρησιμοποιούμενη ρύθμιση ταχύτητας και θα επανέλθει

σε αυτήν κατά την επανεκκίνηση.

Λειτουργία ΤΟΥΡΜΠΟ

- Πατήστε το κουμπί ΤΟΥΡΜΠΟ, η ένδειξη ΤΟΥΡΜΠΟ θα ανάψει με πράσινο χρώμα και η σκούπα θα αρχίσει να λειτουργεί απευθείας στην ταχύτητα ΤΟΥΡΜΠΟ, δηλαδή στην υψηλότερη ταχύτητα.
- Όταν βρίσκεστε στη λειτουργία ΤΟΥΡΜΠΟ, πατήστε ξανά το κουμπί ΤΟΥΡΜΠΟ ή πατήστε το κουμπί ρύθμισης της ταχύτητας, το κουμπί έναρξης/διακοπής ή το κουμπί λειτουργίας - η ένδειξη ΤΟΥΡΜΠΟ θα σβήσει και η σκούπα θα βγει από τη λειτουργία ΤΟΥΡΜΠΟ.

ΣΗΜΕΙΩΣΗ: Μετά την έξοδο από τη λειτουργία ΤΟΥΡΜΠΟ, η σκούπα θα επανέλθει στην προηγούμενη κανονική ταχύτητα.

ΡΥΘΜΙΣΤΙΚΟ ΑΝΑΡΡΟΦΗΣΗΣ (Εικ. Ι)

Κατά το σκούπισμα, η ροή του αέρα στο άκρο του σωλήνα αναρρόφησης ρυθμίζεται από το ρυθμιστικό αναρρόφησης. Γυρίστε το ρυθμιστικό για να ανοίξει η έξοδος αέρα και να μειώσετε την ένταση αναρρόφησης ή γυρίστε το ρυθμιστικό ώστε να κλείνει η έξοδος αέρα και να αυξήσετε την αναρρόφηση.

Το ρυθμιστικό είναι ιδιαίτερα χρήσιμο όταν ο σωλήνας της ηλεκτρικής σκούπας σφραγίζεται από χαλιά, υφάσματα κ.λπ. κατά τη διάρκεια του σκουπίσματος. Όταν συμβεί κάτι τέτοιο, μπορείτε να γυρίσετε το ρυθμιστικό για να ανοίξει η έξοδος αέρα και να μειωθεί η ισχύς αναρρόφησης.

I-1	Ρυθμιστικό αναρρόφησης	I-2	Έξοδος αέρα
-----	------------------------	-----	-------------

ΤΗΛΕΧΕΙΡΙΣΤΗΡΙΟ

- Το τηλεχειριστήριο μπορεί να τοποθετηθεί στον σωλήνα της ηλεκτρικής σκούπας κατά τη διάρκεια του σκουπίσματος (Εικ. J1).
- Όταν η ηλεκτρική σκούπα είναι ενεργοποιημένη, μπορείτε να εκκινήσετε/σταματήσετε την ηλεκτρική σκούπα ή να θέσετε τη συσκευή σε λειτουργία ΤΟΥΡΜΠΟ, χρησιμοποιώντας το τηλεχειριστήριο.

ΣΗΜΕΙΩΣΗ: Το τηλεχειριστήριο δεν μπορεί να αλλάξει τη ρύθμιση κανονικής, χαμηλής ή υψηλής ταχύτητας.

- Το τηλεχειριστήριο μπορεί επίσης να χρησιμοποιηθεί ως φακός για σκοτεινές περιοχές, ειδικά όταν χρησιμοποιείτε το ακροφύσιο χαρμαδάων.

Σύζευξη τηλεχειριστηρίου (Εικ. J2)

Η σύζευξη του τηλεχειριστηρίου με την ηλεκτρική σκούπα έχει γίνει στο εργοστάσιο. Ωστόσο, σε περιπτώσεις που το τηλεχειριστήριο έχει καταστραφεί ή χαθεί, ακολουθήστε

τα παρακάτω βήματα για να συζεύξετε το νέο σας τηλεχειριστήριο με την ηλεκτρική σκούπα.

1. Εγκαταστήστε τη συστοιχία μπαταριών.
2. Πατήστε το κουμπί λειτουργίας για να ενεργοποιήσετε την ηλεκτρική σκούπα.
3. Πατήστε παρατεταμένα το κουμπί έναρξης/διακοπής της ηλεκτρικής σκούπας μέχρι η ένδειξη του κουμπιού λειτουργίας να αναβοσβήσει αργά με πράσινο χρώμα.
4. Πατήστε το κουμπί ΤΟΥΡΜΠΟ ή το κουμπί έναρξης/διακοπής στο τηλεχειριστήριο μόλις η ένδειξη του κουμπιού λειτουργίας αρχίσει να αναβοσβίνει αργά με πράσινο χρώμα.
5. Η ένδειξη του κουμπιού λειτουργίας θα αναβοσβήσει γρήγορα με πράσινο χρώμα και στη συνέχεια, θα ανάψει σταθερά με πράσινο χρώμα, για να υποδείξει ότι η σύζευξη ήταν επιτυχής.

Ένδειξη τηλεχειριστηρίου

Ένδειξη τηλεχειριστηρίου	Επεξήγηση	Ενέργεια
Πράσινη και αναβοσβίνει γρήγορα	Η μπαταρία του τηλεχειριστηρίου έχει σχεδόν εξαντληθεί.	Φορτίστε το τηλεχειριστήριο.
Πράσινη και αναβοσβίνει αργά	Το τηλεχειριστήριο φορτίζει	Δεν απαιτείται καμία ενέργεια.
Σταθερά πράσινη	Η φόρτιση του τηλεχειριστηρίου έχει ολοκληρωθεί.	Αποσυνδέστε το τηλεχειριστήριο και το καλώδιο φόρτισης από την παροχή ρεύματος.

ΣΗΜΕΙΩΣΗ: Κατά την κανονική λειτουργία, η ένδειξη του τηλεχειριστηρίου θα ανάψει μία φορά και στη συνέχεια θα σβήσει, όταν πατηθεί μία φορά το κουμπί ΤΟΥΡΜΠΟ ή το κουμπί έναρξης/διακοπής.

Επαναφόρτιση του τηλεχειριστηρίου (Εικ. J3)

Ανά τακτά χρονικά διαστήματα η μπαταρία στο εσωτερικό του τηλεχειριστηρίου θα πρέπει να επαναφορτίζεται.

⚠ ΠΡΟΕΙΔΟΠΟΙΗΣΗ: Για αυτή την επαναφορτιζόμενη μπαταρία ιόντων λιθίου στο εσωτερικό του τηλεχειριστηρίου, λάβετε υπόψη σας τα παρακάτω:

- Κίνδυνος πυρκαγιάς και εγκαυμάτων.
- Μην το ανοίγετε, μην το συνθλίβετε, μην το θερμαίνετε πάνω από 60 °C και μην το αποφερώνετε.
- Μην βραχυκυκλώνετε.

- Εάν διογκωθεί έντονα, διακόψτε τη χρήση.
- 1. Ανοίξτε το κάλυμμα της θύρας USB-C.
- 2. Συνδέστε το άκρο USB-C του παρεχόμενου καλωδίου φόρτισης στη θύρα USB-C του τηλεχειριστηρίου.
- 3. Συνδέστε το άλλο άκρο του καλωδίου φόρτισης σε συμβατό μετασχηματιστή/φορτιστή ρεύματος USB (δεν περιλαμβάνεται). Η φόρτιση μιας πλήρως αποφορτισμένης μπαταρίας μπορεί να διαρκέσει έως και 2 ώρες.
- 4. Όταν ολοκληρώσετε τη φόρτιση, αποσυνδέστε το καλώδιο φόρτισης και κλείστε το κάλυμμα της θύρας USB-C, για να προστατεύσετε τη θύρα USB-C από ρύπους.

J3-1	Κάλυμμα θύρας USB-C	J3-2	Θύρα USB-C
J3-3	Καλώδιο φόρτισης		

ΣΚΟΥΠΙΣΜΑ

Λειτουργία σκουπίσματος υγρών

- Μην χρησιμοποιείτε τη σακούλα σκόνης κατά τη λειτουργία σκουπίσματος υγρών.
- Απενεργοποιήστε αμέσως την ηλεκτρική σκούπα, όταν το δοχείο συλλογής σκόνης γεμίσει. Αδειάστε το δοχείο συλλογής σκόνης σε κατάλληλο κάδο ή αποχέτευση.
- Να καθαρίζετε περιοδικά το εσωτερικό του δοχείου συλλογής σκόνης, το φίλτρο και τα εξαρτήματα, και πιο συχνά όταν χρησιμοποιείται για τη συλλογή υγρών υλικών που κολλάνε.

Λειτουργία σκουπίσματος ξηρών ρύπων

- Βεβαιωθείτε ότι το φίλτρο είναι εντελώς στεγνό μετά το σκούπισμα υγρών ή χρησιμοποιήστε ένα δεύτερο στεγνό φίλτρο για το σκούπισμα ξηρών ρύπων. Αν το φίλτρο είναι νωπό ή υγρό, θα φράξει από σκόνη ή θα μουχλιάσει.
- Για να μειώσετε την έκθεση σε σκόνη πυριτίου, χρησιμοποιήστε σακούλα σκόνης.
- Απενεργοποιήστε αμέσως την ηλεκτρική σκούπα, όταν η σακούλα ή το δοχείο συλλογής σκόνης γεμίσουν.
- Αδειάστε το δοχείο συλλογής σκόνης σε κατάλληλο κάδο ή αποχέτευση.

Λειτουργία φυσητήρα

⚠️ ΠΡΟΕΙΔΟΠΟΙΗΣΗ: Να φοράτε πάντα προστατευτικά ματιών, όταν χρησιμοποιείτε αυτό το μηχάνημα ως φυσητήρα.

⚠️ ΠΡΟΕΙΔΟΠΟΙΗΣΗ: Μην φυσάτε εύφλεκτα ή εύφλεκτα υλικά, όπως βενζίνη, και μην το χρησιμοποιείτε σε χώρους όπου μπορεί να υπάρχουν τέτοια υλικά. Μπορεί να προκληθεί πυρκαγιά.

⚠️ ΠΡΟΕΙΔΟΠΟΙΗΣΗ: Μην κατευθύνετε τη ροή του αέρα προς την κατεύθυνση ανθρώπων ή κατοικίδιων ζώων.

ΣΥΝΤΗΡΗΣΗ

⚠️ ΠΡΟΕΙΔΟΠΟΙΗΣΗ: Προκειμένου να αποφευχθεί σοβαρός τραυματισμός, αποσυνδέστε τη συστοιχία μπαταριών από το προϊόν πριν από τη συντήρηση, τον καθαρισμό, την αλλαγή προσαρτημάτων ή την αφαίρεση υλικού από τη μονάδα.

ΓΕΝΙΚΗ ΣΥΝΤΗΡΗΣΗ

Αποφεύγετε τη χρήση διαλυτών κατά τον καθαρισμό των πλαστικών εξαρτημάτων. Τα περισσότερα πλαστικά είναι ευπαθή στη χρήση διαφόρων τύπων διαλυτών του εμπορίου και καταστρέφονται από τη χρήση τους. Χρησιμοποιήστε ένα καθαρό πανί για την απομάκρυνση βρωμιάς, σκόνης, λαδιού, γράσου, κτλ.

⚠️ ΠΡΟΕΙΔΟΠΟΙΗΣΗ: Μην επιτρέψετε ποτέ να έρθουν σε επαφή τα πλαστικά εξαρτήματα με υγρά φρένων, βενζίνη, πετρελαϊκά προϊόντα, δισοδικτικά λάδια, κτλ. Τα χημικά μπορούν να φθείρουν, να αποδυναμώσουν ή να καταστρέψουν τα πλαστικά εξαρτήματα με κίνδυνο σοβαρού τραυματισμού.

⚠️ ΠΡΟΕΙΔΟΠΟΙΗΣΗ: Για να μειώσετε τον κίνδυνο πυρκαγιάς, τραυματισμού και ζημιάς στο προϊόν λόγω βραχυκυκλώματος, μη βυθίζετε ποτέ τη συσκευή, τη συστοιχία μπαταριών ή το φορτιστή σε υγρό και προσέξτε να μην εισχωρήσει νερό στο εσωτερικό τους. Διαβρωτικά ή αγώγιμα υγρά, όπως το θαλασσινό νερό, ορισμένα βιομηχανικά χημικά, και η χλωρίνη ή προϊόντα που περιέχουν χλώριο κ.λπ., μπορούν να προκαλέσουν βραχυκύκλωμα.

ΑΔΕΙΑΣΜΑ ΤΟΥ ΔΟΧΕΙΟΥ ΣΥΛΛΟΓΗΣ ΣΚΟΝΗΣ

1. Αφαιρέστε το καπάκι της θύρας αποστράγγισης για να αδειάσετε το υγρό στο δοχείο συλλογής σκόνης σε κατάλληλο κάδο ή σε αποχέτευση, εάν υπάρχει.
2. Αφαιρέστε το συγκρότημα της ηλεκτρικής κεφαλής από το δοχείο συλλογής σκόνης.
3. Αφαιρέστε τη σακούλα σκόνης, εάν έχει τοποθετηθεί σακούλα σκόνης.
4. Απομακρύνετε όλες τις ακαθαρσίες ή τα υπολείμματα από το δοχείο συλλογής σκόνης, και καθαρίστε το με ήπιο σαπούνι και νερό.
5. Αφήστε το δοχείο συλλογής σκόνης να στεγνώσει,

GR

πριν να συναρμολογήσετε ξανά το συγκρότημα της ηλεκτρικής κεφαλής.

ΣΥΝΤΗΡΗΣΗ ΦΙΛΤΡΟΥ

Σύστημα αυτοκαθαρισμού φίλτρου

1. Συνδέστε τον εύκαμπο σωλήνα της σκούπας στη θύρα εισόδου της ηλεκτρικής σκούπας και τοποθετήστε το άλλο άκρο του σωλήνα στην τάπα αυτοκαθαρισμού του φίλτρου (Εικ. K1).
2. Τοποθετήστε τη συστοιχία μπαταριών και πατήστε το κουμπί λειτουργίας για να ενεργοποιήσετε τη συσκευή.
3. Επιλέξτε την επιθυμητή λειτουργία ταχύτητας και πατήστε το κουμπί εκκίνησης/διακοπής για να ενεργοποιήσετε τη συσκευή.
4. Πατήστε το κουμπί αυτοκαθαρισμού του φίλτρου για να καθαρίσετε το φίλτρο (Εικ. K2).

ΣΥΜΒΟΥΛΕΣ: Για να επιτύχετε το καλύτερο αποτέλεσμα καθαρισμού, συνιστάται να επιλέξετε τη λειτουργία ΤΟΥΡΜΠΟ, να πατήσετε το κουμπί αυτοκαθαρισμού του φίλτρου πέντε φορές και να το κρατήσετε πατημένο για 3 δευτερόλεπτα κάθε φορά.

K1-1	Θύρα εισόδου αναρρόφησης	K1-2	Σωλήνας σκούπας
K1-3	Τάπα αυτοκαθαρισμού φίλτρου	K2-1	Κουμπί αυτοκαθαρισμού φίλτρου

Πλύσιμο του φίλτρου

Αφαιρέστε τη συστοιχία μπαταριών και εξετάστε το φίλτρο, ανασηκώνοντας το συγκρότημα της ηλεκτρικής κεφαλής. Εάν το φίλτρο εξακολουθεί να είναι βρώμικο αφού ακολουθήσετε τα βήματα της ενότητας «**Σύστημα αυτοκαθαρισμού φίλτρου**», αφαιρέστε το φίλτρο και ξεπλύνετε το με κρύο νερό. Αφήστε το φίλτρο να στεγνώσει εντελώς και επανατοποθετήστε το.

Αντικατάσταση του φίλτρου (Εικ. L1 και Εικ. L2)

⚠ ΠΡΟΕΙΔΟΠΟΙΗΣΗ: Ελέγχετε το φίλτρο περιοδικά και αντικαταστήστε το εάν έχει φθαρεί ή έχει υποστεί ζημιά. Η χρήση κατεστραμμένου φίλτρου μπορεί να οδηγήσει σε απελευθέρωση ανεπιθύμητων αερομεταφερόμενων ρύπων από το δοχείο.

1. Σηκώστε το συγκρότημα της ηλεκτρικής κεφαλής και βάλτε το στη μία πλευρά (Εικ. L1).
2. Ξεδιπλώστε τη λαβή του βραχίονα του φίλτρου και τραβήξτε το βραχίονα με το φίλτρο προς τα έξω (Εικ. L2).

3. Χρησιμοποιήστε ένα υγρό πανί για να απομακρύνετε τυχόν σκόνη και υπολείμματα από την περιοχή του φίλτρου.
4. Τοποθετήστε ένα νέο ή καθαρισμένο φίλτρο στο στήριγμα.
5. Τοποθετήστε τον βραχίονα στη θέση του στο φίλτρο και διπλώστε τη λαβή.

L1-1	Λαβή	L1-2	Βραχίονας φίλτρου
------	------	------	-------------------

ΑΠΟΘΗΚΕΥΣΗ ΤΗΣ ΣΚΟΥΠΑΣ

1. Αφαιρέστε τη συστοιχία μπαταριών από τη σκούπα
2. Καθαρίστε σχολαστικά τη σκούπα προτού την αποθηκεύσετε.
3. Αποθηκεύετε τη σκούπα σε έναν στεγνό, καλά αεριζόμενο χώρο, κλειδωμένο ή σε ψηλό σημείο, εκτός εμβέλειας παιδιών. Μην αποθηκεύετε τη σκούπα επάνω ή δίπλα σε λιπάσματα, βενζίνη ή άλλες χημικές ουσίες.

ΠΡΟΣΤΑΣΙΑ ΤΟΥ ΠΕΡΙΒΑΛΛΟΝΤΟΣ



Μην απορρίπτετε ηλεκτρικό εξοπλισμό, παλιές μπαταρίες και φορτιστές στα οικιακά απορρίμματα! Μεταφέρετε αυτό το προϊόν σε εξουσιοδοτημένο κέντρο ανακύκλωσης και παραδώστε το για ξεχωριστή συλλογή. Τα ηλεκτρικά εργαλεία πρέπει να επιστρέφονται σε περιβαλλοντικά συμβατή μονάδα ανακύκλωσης.

GR

ΑΝΤΙΜΕΤΩΠΙΣΗ ΠΡΟΒΛΗΜΑΤΩΝ

ΠΡΟΒΛΗΜΑ	ΑΙΤΙΑ	ΑΝΤΙΜΕΤΩΠΙΣΗ
Η ηλεκτρική σκούπα δεν λειτουργεί.	<ul style="list-style-type: none"> ■ Η στάθμη φόρτισης της συστοιχίας μπαταριών είναι χαμηλή. ■ Η συστοιχία μπαταριών δεν έχει τοποθετηθεί σωστά. 	<ul style="list-style-type: none"> ■ Φορτίστε τη συστοιχία μπαταριών. ■ Σύρετε τη συστοιχία μπαταριών μέσα στη θήκη μπαταριών μέχρι να ασφαλίσει στη θέση της.
Η ισχύς αναρρόφησης είναι αδύναμη	<ul style="list-style-type: none"> ■ Ο σωλήνα αναρρόφησης ή η είσοδος αναρρόφησης έχουν φράξει. ■ Το φίλτρο έχει φράξει από λεπτή σκόνη. ■ Το δοχείο συλλογής σκόνης είναι γεμάτο. ■ Η στάθμη φόρτισης της συστοιχίας μπαταριών είναι χαμηλή. ■ Το καπάκι της θύρας αποστράγγισης έχει αφαιρεθεί από το δοχείο συλλογής σκόνης. 	<ul style="list-style-type: none"> ■ Ελέγξτε και καθαρίστε τον σωλήνα της σκούπας ή την είσοδο αναρρόφησης. ■ Καθαρίστε το φίλτρο σύμφωνα με την ενότητα «ΣΥΝΤΗΡΗΣΗ ΦΙΛΤΡΟΥ» του παρόντος εγχειριδίου. ■ Αδειάστε το δοχείο συλλογής σκόνης. ■ Φορτίστε τη συστοιχία μπαταριών ■ Τοποθετήστε το καπάκι της θύρας αποστράγγισης στο δοχείο συλλογής σκόνης.
Η συσκευή λειτουργεί αλλά δεν υπάρχει αναρρόφηση.	<ul style="list-style-type: none"> ■ Το συγκρότημα της ηλεκτρικής κεφαλής δεν έχει τοποθετηθεί σωστά στο δοχείο συλλογής σκόνης. 	<ul style="list-style-type: none"> ■ Βεβαιωθείτε ότι το συγκρότημα της ηλεκτρικής κεφαλής έχει τοποθετηθεί σωστά στο δοχείο συλλογής σκόνης.
Σκόνη διαφεύγει από τη θύρα εξόδου φυσήματος.	<ul style="list-style-type: none"> ■ Το φίλτρο λείπει ή έχει εγκατασταθεί εσφαλμένα. ■ Το φίλτρο έχει υποστεί ζημιά. 	<ul style="list-style-type: none"> ■ Ελέγξτε ότι το φίλτρο έχει εγκατασταθεί σωστά. ■ Αντικαταστήστε με νέο φίλτρο.
Η ηλεκτρική σκούπα δεν μπορεί να ελεγχθεί μέσω του τηλεχειριστηρίου.	<ul style="list-style-type: none"> ■ Το τηλεχειριστήριο δεν είναι συνδεδεμένο με την ηλεκτρική σκούπα. ■ Η μπαταρία του τηλεχειριστηρίου είναι εξαντλημένη. ■ Το τηλεχειριστήριο έχει υποστεί ζημιά. 	<ul style="list-style-type: none"> ■ Συζευξτε το τηλεχειριστήριο με την ηλεκτρική σκούπα ακολουθώντας το κεφάλαιο «Σύζευξη τηλεχειριστηρίου» του παρόντος εγχειριδίου. ■ Φορτίστε το τηλεχειριστήριο. ■ Χρησιμοποιήστε ένα νέο τηλεχειριστήριο και πραγματοποιήστε σύζευξη του τηλεχειριστηρίου.

GR

ΕΓΓΥΗΣΗ

ΠΟΛΙΤΙΚΗ ΕΓΓΥΗΣΗΣ EGO

Επισκεφθείτε την ιστοσελίδα egopowerplus.eu για όλους τους όρους και τις προϋποθέσεις της πολιτικής εγγύησης EGO.

TÜM TALİMATLARI OKUYUN!



KULLANIM KILAVUZUNU OKUYUN

⚠ UYARI: Emniyet ve güvenilirliği sağlamak için tüm tamir işleri yetkili bir servis teknisyeni tarafından yapılmalıdır.

GÜVENLİK SEMBOLLERİ

Güvenlik sembollerinin amacı olası tehlikelere dikkatinizi çekmektir. Güvenlik sembolleri ve yanlarındaki açıklamalar özel dikkat ve anlayış göstermenizi gerektirir. Uyarı sembolleri kendi başlarına herhangi bir tehlikeyi gidermez. Sembollerde belirtilen talimatlar ve uyarılar uygun kaza önleme tedbirlerinin yerine geçmez.

⚠ UYARI: Bu makineyi kullanmadan önce "TEHLİKE" "UYARI" ve "DİKKAT" gibi güvenlikle ilgili tüm uyarı sembollerini içeren bu Kullanım Kılavuzundaki tüm güvenlik talimatlarını okuyup anladığınızdan emin olun. Aşağıdaki talimatların tamamına uyulmaması elektrik çarpması, yangın ve/veya ciddi yaralanma ile sonuçlanabilir.

SEMBOLÜN ANLAMI

⚠ GÜVENLİK UYARISI SEMBOLÜ: TEHLİKE, UYARI veya DİKKAT anlamına gelir ve diğer semboller veya resimlerle birlikte kullanılabilir.

GÜVENLİK TALİMATLARI

Bu sayfada, bu ürün üzerinde görülebilecek güvenlik sembolleri gösterilmekte ve açıklanmaktadır. Makineyi monte etmeye ve kullanmaya başlamadan önce, makineye ilişkin tüm talimatları okuyup anlayın ve bu talimatlara uyun.



Güvenlik Uyarısı



Yaralanma riskini azaltmak için kullanıcı, kullanma kılavuzunu mutlaka okumalıdır.



Atık elektrikli ürünler, evsel atıklar ile birlikte bertaraf edilmemelidir. Yetkili bir geri dönüşüm merkezine teslim edilmelidir.



Doğru Akım



Bu ürün, yürürlükteki AB yönetmeliklerine uygundur.



Birleşik Krallık Uygunluğu Değerlendirildi

TR

IPX4 Sıçrayan suya karşı koruma

L Litre

kg Kilogram

V Volt

°C Santigrat

L/dk. Litre/dakika

Pa Pascal

⚠ UYARI: Tüm talimatları anlayarak okuyun. Aşağıdaki talimatların tamamına uyulmaması elektrik çarpması, yangın ve / veya ciddi yaralanma ile sonuçlanabilir.

Bu cihaz, gözetim altında olmadıkları veya güvenliklerinden sorumlu bir kişi tarafından cihazın kullanımı ile ilgili talimat almadıkları sürece zihinsel yetenekleri zayıf, fiziksel duyu kaybı veya tecrübe ve bilgi yetersizliği olan kişiler tarafından (çocuklar dahil) kullanılmak üzere tasarlanmamıştır.

- Çocukların cihazla oynamalarını sağlamak için gözetim altında tutulmaları gerekir.
- Cihazı veya aküyü aşırı sıcaklıklara maruz bırakmayın.
- Akü ile çalışan cihazın veya akü kutuplarının metal nesnelere tarafından kısa devre yapılması riskine dikkat edin.
- Şarj edilebilir aküler şarj edilmeden önce cihazdan çıkarılmalıdır.
- Farklı türdeki aküler veya yeni ve kullanılmış aküler bir arada kullanılmamalıdır.
- Biten aküler cihazdan çıkarılmalı ve güvenli bir şekilde bertaraf edilmelidir.
- Cihaz uzun süre kullanılmadan depolanacaksa aküler çıkarılmalıdır.
- Şarj edilebilir akülerin yerine şarj edilemeyen aküler kullanmayın.
- Değiştirilmiş veya hasar görmüş aküleri kullanmayın.
- **Yalnızca belirtilen akü takımları ve şarj cihazlarıyla kullanın.**

Bu talimatları saklayın. Talimatlara sık sık müracaat edin ve bu makineyi kullanacak diğer kişileri bilgilendirmek için kullanın. Bu makineyi başka birine ödünç verirken ürünün hatalı kullanılmasını ve olası yaralanmaları önlemek için bu talimatları da ürünle birlikte verin.

TEKNİK ÖZELLİKLER

Voltaj		56 V 		
Toz Haznesi Kapasitesi		34 l		
Hız Modu		Düşük	Yüksek	TURBO
Maks. Hava Akışı (L/dk.)		1900	2500	3100
Maks. Emiş Gücü (Pa)		10000	15900	24800
Uzaktan Kumanda	Şarj Sıcaklığı	0°C - 45°C		
	Maks. Şarj Gerilimi	5 V		
	Maks. Şarj Akımı	1 A		
Ağırlık (Akü hariç)		12,1 kg		

Önerilen Çalışma Sıcaklığı	-5°C - 40°C
Önerilen Depolama Sıcaklığı	-20°C - 70°C

AMBALAJ İÇERİĞİ (ŞEK. A1 VE A2)

ÖNERİLEN AKSESUARLAR

⚠ UYARI: Yalnızca aşağıda listelenen aksesuarları kullanın. Orijinal ekipman özelliklerini karşılamayan aksesuarların kullanılması, ürünün hatalı ve tehlikeli bir şekilde çalışmasına neden olabilir.

PARÇA ADI	MODEL NUMARASI
Toz Torbaları (5 adet)	AVG0905
Yedek Filtre	AVF0900

AÇIKLAMA

ISLAK/KURU SÜPÜRGENİZİ TANIYIN (Şekil A1 ve A2)

1. Güç Kafası Tertibatı
2. Tutma kolu
3. Aksesuar Saklama Bölmesi
4. Toz Haznesi Mandalı (x2)
5. Arka Tekerlek (x2)
6. Toz Haznesi
7. Frenli Tekerlek (x2)
8. Tahliye Portu Kapağı
9. Dar Ağızlı Uç
10. Emme Giriş Portu
11. Operatör Paneli
12. Süpürge Hortumu Saklama Yuvaları
13. Üfleme Çıkış Portu
14. Aksesuar Geçici Saklama Alanı
15. Büyük Zemin Başlığı + Fırça Çubuğu
16. Uzatma Boruları
17. Akü Çıkarma Düğmesi
18. Filtre Kendi Kendini Temizleme Düğmesi
19. Filtre Kendi Kendini Temizleyen Tapa
20. Süpürge Hortumu
21. Hortum Çıkarma Düğmesi
22. Emme Regülatörü

23. Uzaktan Kumanda Montajı
24. Lastik Çubuk
25. Toz Torbası
26. Uzaktan Kumanda için Şarj Kablosu
27. Uzaktan Kumanda
28. Yuvarlak Toz Fırçası Ucu
29. Kompakt Zemin Ucu
30. Elektrikli El Aleti Adaptörü
31. Güç Düğmesi
32. Çalıştır/Durdur Düğmesi
33. Hız Düğmesi
34. Hız Göstergesi
35. TURBO Düğmesi
36. TURBO Göstergesi
37. Filtre
38. Filtre Braketi
39. Sıvı Sensörü (x4)
40. Toz Torbası Braketi
41. Tahliye Portu

MONTAJ

SÜPÜRGE HORTUMUNUN TAKILMASI/ ÇIKARILMASI

Bağlamak için, "tıklama" sesi duyana kadar hortumun ucunu emme giriş portuna veya üfleme çıkış portuna bastırın (Şek. B1).

Bağlantıyı kesmek için, hortumu çıkarmak amacıyla hortum serbest bırakma düğmelerini basılı tutun (Şek. B2).

B1-1	Süpürge Hortumu	B1-2	Emme Giriş Portu
B1-3	Üfleme Çıkış Portu	B2-1	Hortum Çıkarma Düğmesi

UZATMA BORULARININ BAĞLANMASI/ BAĞLANTISININ KESİLMESİ (ŞEK. C)

İhtiyaçlarınıza göre süpürge hortumuna bir veya iki uzatma borusu bağlayın.

Bağlamak için uzatma borusunun dar ucunu, uzatma borusu yerine sabitlenene kadar süpürge hortumuna mümkün olduğunca geçirin.

Ayırmak için uzatma borusunu süpürge hortumundan çekin.

İkinci uzatma borusu aynı şekilde birinci boruya bağlanır/ çıkarılır.

C-1	Süpürge Hortumu	C-2	Dar Uç
C-3	Geniş Uç	C-4	Uzatma Boruları

UÇLARI TAKMA/ÇIKARMA

İhtiyaçlarınıza göre doğrudan süpürge hortumuna veya uzatma borusuna takmak için uygun bir uç seçin (Şekil D1).

- Ucu uzatma borusuna bağlamak için uç yerine sabitlenene kadar uzatma borusuna ucu mümkün olduğunca sokun. Bağlantıyı kesmek için ucu, uzatma borusundan çekin.
- Ucu doğrudan süpürge hortumuna bağlamak için uç üzerindeki düğmeyi süpürge hortumundaki olukla hizalayın, "tıklama" sesi duyana kadar ucu, süpürge hortumuna sokun. Bağlantıyı kesmek için hortumu çıkarmak amacıyla serbest bırakma düğmesini basılı tutun.

D1-1	Çıkarma Düğmesi	D1-2	Oluk
D1-3	Uzatma Boruları (Opsiyonel)	D1-4	Düğme
D1-5	Uç		

Dar Ağızlı Uç (Şek. D2)

Uzaktan kumandanın entegre ışığı ile birlikte dar ağızlı uç kullanıldığında karanlık alanlar kolayca temizlenebilir.

Dar ağızlı ucu süpürge hortumuna bağlayın ve uzaktan kumandayı, süpürge hortumundaki uzaktan kumanda yuvasına oturtun. Uzaktan kumandadaki ışık düğmesine basın, şeffaf dar ağızlı uç yanar.

D2-1	Dar Ağızlı Uç	D2-2	Işık Düğmesi
D2-3	Uzaktan Kumanda		

Elektrikli El Aleti Adaptörü (Şek. D3)

Elektrikli alet adaptörü, süpürge hortumunun 32 mm toz çıkışına sahip bir elektrikli alete bağlanmasını sağlar.

Süpürge hortumu, süpürge hortumunun emiş ağzına bağlıyken, elektrikli alet adaptörü yerine sabitlenene kadar elektrikli alet adaptörünü mümkün olduğunca süpürgeye sokun ve ardından adaptörü elektrikli aletin toz çıkışına bağlayın.

⚠ UYARI: Elektrikli alet adaptörü uzatma borusuna/boruslarına bağlanamaz. Zorla takmaya çalışmak, elektrikli alet adaptörüne veya uzatma borusuna/boruslarına zarar verebilir.

D3-1	Elektrikli El Aleti (birlikte verilmez)	D3-2	Elektrikli El Aleti Adaptörü
D3-3	Süpürge Hortumu	D3-4	Emme Giriş Portu

Büyük Zemin Ucu + Fırça Çubuğu/Lastik Çubuk (Şek. D4)

Büyük zemin ucu, fırça çubuğu veya lastik çubuk ile birleştirilebilir.

Çubuğun her iki ucunu hafifçe açın ve çubuğu uçtan çıkarmak için uçları aşağı doğru bastırın.

Çubuğu takmak için, "tıklama" sesi duyana kadar çubuğun uçlarını uç deliklerine doğru bastırın.

D4-1	Büyük Zemin Ucu	D4-2	Uç Delikleri
D4-3	Lastik Çubuk	D4-4	Çubuk Uçları

GÜÇ BAŞLIĞI TERTİBATININ TAKILMASI/ ÇIKARILMASI

Takmak için toz haznesi mandallarının alt kısımlarını bastırın, güç başlığı tertibatını toz haznesinin üzerine indirin ve ardından toz haznesini mandallarının üst kısımlarını bastırın (Şek. E1 ve E2).

Çıkarmak için toz haznesinin alt kısımlarını bastırın ve ardından güç kafası tertibatını kaldırın (Şek. E3).

TOZ TORBASININ TAKILMASI/ÇIKARILMASI

1. Toz haznesinin kilidini açın ve güç kafası tertibatını kaldırın.
2. **Takmak için**, toz torbasının plakasını toz torbası braketinin yuvasına plaka, dişlere oturana kadar yerleştirin. Toz veya kalıntı toplamadan önce toz torbasını manuel olarak açın (Şek. F1).
Çıkarmak için, plakayı dişlerin üzerinden hafifçe kaldırın ve ardından toz torbasını çıkarmak için plakayı yuvadan çekin (Şek. F2).

F1-1	Toz Torbası Braketi	F1-2	Yuva
F1-3	Toz Torbası	F1-4	Plaka
F2-1	Dişler		

ÇALIŞTIRMA

UYGULAMA

Bu ürünü aşağıda belirtilen amaçlar için kullanabilirsiniz:

- Emme giriş portu kullanıldığında sıvı atıkların veya kuru tozun emilmesi.
- Üfleme çıkış portu kullanıldığında üfleyci olarak çalışır.

AKÜYÜ TAKMA/ÇIKARMA

Sadece Şek. A3'te belirtilen EGO marka aküleri ve şarj cihazlarını kullanın.

Daha fazla ayrıntı için ilgili akü ve şarj cihazı kılavuzlarına bakın.

İlk kullanımdan önce tamamen şarj edin.

Takmak için

Akü dişleri ile montaj yuvalarını hizalayın ve "tıklama" sesi duyana kadar aküyü süpürgeye kaydırın (Şek. G1).

Çıkarmak için

Batarya çıkarma düğmesine basın ve bataryayı çekip çıkarın (Şek. G2).

G1-1	Montaj Yuvası	G1-2	Montaj Kanalı
G2-1	Akü Çıkarma Düğmesi		

ISLAK/KURU SÜPÜRMEİNİN BAŞLATILMASI/ DURDURULMASI (ŞEK. H)

Süpürmeyi başlatmak için

1. Güç kafası tertibatının toz haznesine takıldığını ve toz haznesinin güvenli bir şekilde kilitletiğini doğrulayın. Süpürge hortumunun, gerekli uzatma borusunun/ borularının ve ucun doğru şekilde bağlandığından emin olun.

NOT: Süpürge, yalnızca güç kafası tertibatı toz haznesine güvenli şekilde takıldığında çalışır.

2. Aküyü takın.
3. Süpürgeyi çalıştırmak için güç düğmesine basın.
4. Düşük hız veya yüksek hız seçmek için hız ayar düğmesine basın ve ardından süpürgeyi başlatmak için başlat/durdur düğmesine basın. Veya süpürgeyi doğrudan maksimum hızda başlatmak için TURBO düğmesine basın.

NOT: Hız, süpürme sırasında da ayarlanabilir. Daha fazla bilgi için "HIZ SEÇİMİ" bölümüne bakın.

Süpürgeyi Durdurmak İçin

1. Süpürme tamamlandığında veya toz haznesi dolduğunda süpürgeyi geçici olarak durdurmak için başlat/durdur düğmesine basın.
2. Veya süpürgeyi tamamen kapatmak için güç düğmesine basın.
3. Akü paketini çıkarın.
4. Toz haznesini uygun bir kaba veya kanalizasyona boşaltın.

NOT: Süpürge yeniden başlatılırken daha önce aktif olan normal hız ayarına devam eder.

Güç Göstergesi Düğmesi

Güç Göstergesi Düğmesi	Anlamı	İşlem
Sabit yeşil	Beklemede	Herhangi bir işlem yapılmasına gerek yoktur. Süpürge, 1 saat işlem yapılmadığında otomatik olarak kapanır.
	Makine düzgün çalışıyor.	Normal çalışma.
6 kez yeşil yanıp söner, ardından kapanır.	Haznedeki sıvı seviyesi, sıvı sensörlerinin alt ucuna ulaşır	Süpürgeyi durdurun, akü takımını çıkarın ve ardından boşaltma talimatına bakarak hazneyi boşaltın.
Sürekli yeşil yanıp söner	Elektronik hatası	Yardım için EGO müşteri hizmetleriyle iletişime geçin

HIZ SEÇİMİ

TR

Normal Hız Modu

- Hız ayar düğmesine her basıldığında, hız düşük seviye ve yüksek seviye arasında geçiş yapar. Hızı göstergesi, mevcut hız seviyelerine karşılık gelen yeşil ışıklar görüntüler.
- Süpürge, en son kullanılan hız ayarını kaydeder ve yeniden başlatıldığında bu ayara döner.

TURBO MODU

- TURBO düğmesine basın, TURBO göstergesi yeşil renkte yanar ve süpürge doğrudan TURBO hızında, yani en yüksek hızda çalışmaya başlar.

- TURBO modundayken, TURBO düğmesine tekrar basın veya hız ayar düğmesine, başlat/durdur düğmesine veya güç düğmesine basın; TURBO göstergesi kapanır ve süpürge, TURBO modundan çıkar.

NOT: TURBO modundan çıktıktan sonra süpürge, daha önce aktif olan normal hızla devam eder.

EMME REGÜLATÖRÜ (Şek. I)

Süpürme sırasında, süpürge hortumunun ucundaki hava akışı, emme regülatörü döndürülerek kontrol edilebilir. Emmeyi azaltmak için hava çıkışını açmak amacıyla regülatörü çevirin veya emmeyi artırmak için regülatörü hava çıkışını kapatacak şekilde çevirin.

Bu özellik, süpürge emmesi sırasında süpürge hortumu halı, bez vb. ile kapatıldığında özellikle kullanışlıdır; hava çıkışını açmak için regülatörü çevirin, emme azalır.

I-1	Emme Regülatörü	I-2	Hava Çıkışı
-----	-----------------	-----	-------------

UZAKTAN KONTROL

- Uzaktan kumanda, emme sırasında süpürge hortumuna yerleştirilebilir (Şek. J1).
- Süpürge çalıştırıldığında uzaktan kumandayı kullanarak süpürgeyi başlatabilir/durdurabilir veya makineyi TURBO moduna geçirebilirsiniz.

NOT: Uzaktan kumanda, normal düşük veya yüksek hız arasında geçiş yapamaz.

- Uzaktan kumanda, özellikle dar ağızlı ucu kullanılırken karanlık alanlarda el feneri olarak da kullanılabilir.

Uzaktan Kumanda Eşleştirme (Şekil J2)

Uzaktan kumanda, fabrikadaki süpürgeyle eşleştirilmiştir. Ancak uzaktan kumandanın hasar gördüğü veya kaybolduğu durumlarda, yeni uzaktan kumandanızı süpürgeyle eşleştirmek için aşağıdaki adımları uygulayın.

1. Aküyü takın.
2. Süpürgeyi çalıştırmak için güç düğmesine basın.
3. Güç düğmesi göstergesi yavaşça yeşil renkte yanıp sönene kadar süpürgedeki başlat/durdur düğmesine uzun basın.
4. Güç düğmesi göstergesi yeşil renkte yanıp sönmeye başlar başlamaz TURBO düğmesine veya uzaktan kumandadaki başlat/durdur düğmesine basın.
5. Güç düğmesi göstergesi hızlı bir şekilde yeşil renkte yanıp söner ve eşleştirmenin başarılı olduğunu belirtmek için sürekli yeşil renkte yanar.

Uzaktan Kumanda Göstergesi

Uzaktan Kumanda Göstergesi	Anlamı	İşlem
Hızlı yeşil yanıp sönüyor	Uzaktan kumanda akü şarjı bitmek üzere.	Uzaktan kumandayı şarj edin.
Yavaşça yeşil yanıp sönüyor	Uzaktan kumanda şarj oluyor.	Herhangi bir işleme gerek yoktur.
Sabit yeşil	Uzaktan kumandanın şarjı tamamlandı.	Uzaktan kumandayı ve şarj kablosunu güç kaynağından ayırın.

NOT: Normal çalışma sırasında, uzaktan kumanda göstergesi bir kez yanar ve ardından TURBO düğmesine veya başlat/durdur düğmesine bir kez basıldığında kapanır.

Uzaktan Kumandayı Şarj Etme (Şek. J3)

Uzaktan kumandanın içindeki akünün periyodik olarak yeniden şarj edilmesi gerekir.

⚠ UYARI: Uzaktan kumandanın içindeki bu şarj edilebilir Li-ion akü için lütfen aşağıdakilere dikkat edin:

- Yangın ve yanık riski.
 - Açmayın, ezmeyin, 60°C'nin üzerinde ısıtmayın veya yakmayın.
 - Kısa devre yapmayın.
 - Önemli derece şişkinlik varsa kullanmayı bırakın.
1. USB-C bağlantı noktası kapağını açın.
 2. Birlikte verilen şarj kablosunun USB-C ucunu, uzaktan kumandadaki USB-C bağlantı noktasına bağlayın.
 3. Şarj kablosunun diğer ucunu uyumlu bir USB güç adaptörüne/şarj cihazına (ürüne dahil değildir) bağlayın. Tamamen boşalmış bir akünün şarj edilmesi 2 saat kadar sürebilir.
 4. Şarj işlemi bittiğinde USB-C bağlantı noktasını kirlemeden korumak için şarj kablosunu çıkarın ve USB-C bağlantı noktası kapağını kapatın.

J3-1	USB-C Bağlantı Noktası Kapağı	J3-2	USB-C Bağlantı Noktası
J3-3	Şarj Kablosu		

SÜPÜRGEYLE ÇALIŞMA

Islak Süpürme İşlemi

- Islak süpürme işlemi sırasında toz torbasını kullanmayın.
- Toz haznesi dolduğunda süpürgeyi hemen kapatın. Toz haznesini uygun bir kaba veya kanalizasyona boşaltın.
- Islak, yapışkan malzemeleri toplamak için kullanıldığında toz haznesinin, filtrenin ve aksesuarların içeri periyodik olarak daha sık temizleyin.

Kuru Süpürme İşlemi

- Islak süpürmeden sonra filtrenin tamamen kuru olduğundan emin olun veya kuru süpürme için ikinci bir kuru filtre kullanın. Nemli veya ıslak filtreler tozla tıkanır veya küflenir.
- Silika tozuna maruz kalmayı azaltmak için toz torbası kullanın.
- Toz torbası veya toz haznesi dolduğunda süpürgeyi hemen kapatın.
- Toz haznesini uygun bir kaba veya kanalizasyona boşaltın.

Üfleyci Çalışması

⚠ UYARI: Bu makineyi üfleyci olarak kullanırken daima göz koruması kullanın.

⚠ UYARI: Benzin gibi yanıcı veya parlayıcı malzemelerle veya bu tür malzemelerin bulunabileceği alanlarda üfleyciyi kullanmayın. Yangın çıkabilir.

⚠ UYARI: Hava akışını insanlara veya evcil hayvanlara doğru yönlendirmeyin.

BAKIM

⚠ UYARI: Ciddi yaralanmaları önlemek için bakım, temizlik, aparat değişimi veya üniteden malzeme çıkarma işlemlerinden önce akü takımını üründen çıkarın.

GENEL BAKIM

Plastik parçaları temizlerken çözücü maddeler kullanmaktan kaçının. Çoğu plastik malzeme, çeşitli ticari çözücü türlerinden etkilenmeye yatkındır ve bu çözücü maddelerin kullanılması durumunda zarar görebilir. Kir, toz, yağ, gres, vb. gidermek için temiz bez kullanın.

⚠ UYARI: Fren sıvıları, benzin, petrol bazlı ürünler, içe işleyen yağlar gibi maddelerin plastik parçalara temas etmesine kesinlikle izin vermeyin. Kimyasal maddeler plastik parçalara hasar verebilir, bu tür parçaları zayıflatabilir veya parçalayabilir ve bu durum ciddi yaralanmalara neden olabilir.

⚠ UYARI: Kısa devre nedeniyle yangın, yaralanma ve ürün hasarı riskini azaltmak için makinenizi, akü takımını veya şarj cihazını asla sıvıya batırmayın veya içlerine sıvı akmasına izin vermeyin. Deniz suyu, bazı endüstriyel kimyasallar ve ağartıcı veya ağartıcı içeren ürünler gibi aşındırıcı veya iletken sıvılar kısa devreye neden olabilir.

TOZ HAZNESİNİN BOŞALTILMASI

1. Toz haznesindeki sıvıyı varsa uygun bir kaba veya kanalizasyona boşaltmak için tahliye portu kapağını çıkarın.
2. Güç kafası tertibatını toz haznesinden çıkarın.
3. Toz torbası takılıysa toz torbasını çıkarın.
4. Toz haznesindeki tüm kir veya kalıntıları temizleyin, yumuşak sabun ve suyla temizleyin.
5. Güç kafası tertibatını yeniden monte etmeden önce toz tankının kurumasını bekleyin.

FİLTRE BAKIMI

Filtre Kendi Kendini Temizleyen Sistem

1. Süpürge hortumunu süpürge emme girişine bağlayın ve hortumun diğer ucunu filtrenin kendi kendini temizleyen tapasına takın (Şek. K1).
2. Akü takımını takın, makineyi açmak için güç düğmesine basın.
3. İsteddiğiniz hız modunu seçin ve makineyi açmak için başlat/durdur düğmesine basın.
4. Filtreyi temizlemek için filtrenin kendi kendini temizleme düğmesine basın (Şek. K2).

İPUÇLARI: En iyi temizleme etkisini elde etmek için TURBO modunu seçmeniz ve filtrenin kendi kendini temizleme düğmesine beş kez basmanız ve her seferinde 3 saniye basılı tutmanız önerilir.

K1-1	Emme Giriş Portu	K1-2	Süpürge Hortumu
K1-3	Filtre Kendi Kendini Temizleyen Tapa	K2-1	Filtre Kendi Kendini Temizleme Düğmesi

Filtrenin Yıkınması

Akü takımını çıkarın ve güç kafası tertibatını kaldırarak filtreyi inceleyin. "Filtre Kendi Kendini Temizleme Sistemi" bölümündeki adımları uyguladıktan sonra filtre hâlâ kirliyse filtreyi çıkarın ve soğuk suyla durulayın. Yeniden takmadan önce filtrenin tamamen kurumasını bekleyin.

Filtrenin Değiştirilmesi (Şekil L1 ve Şekil L2)

⚠ UYARI: Filtreyi periyodik olarak kontrol edin ve yıpranmış veya hasarlıysa değiştirin. Hasarlı filtrenin

kullanılması, istenmeyen havadaki kirleticilerin kutudan yayılmasına neden olabilir.

1. Güç kafası tertibatını kaldırın ve bir tarafa koyun (Şek. L1).
2. Filtre braketinin kolunu açın ve braketini filtreyle birlikte dışarı çekin (Şek. L2).
3. Filtre alanındaki toz ve kalıntıları temizlemek için nemli bir bez parçası kullanın.
4. Brakete yeni veya temizlenmiş bir filtre takın.
5. Brakete filtre alanına yerleştirin ve kolu katlayın.

L1-1	Tutma kolu	L1-2	Filtre Braketi
------	------------	------	----------------

SÜPÜRGENİN SAKLANMASI

1. Akü takımını süpürgeден çıkarın.
2. Cihazı saklamadan önce iyice temizleyin.
3. Süpürgeyi çocukların ulaşamayacağı kuru, iyi havalandırılmış, kilitli veya yüksek bir yerde saklayın. Süpürgeyi gübre, benzin veya diğer kimyasalların üzerinde veya yakınında saklamayın.

ÇEVRE KORUMASI



Elektrikli cihazları, kullanılmış aküleri ve şarj cihazını evsel atıklarla bertaraf etmeyin! Bu ürünü yetkili bir geri dönüşüm merkezine götürün ve ayrı bir şekilde toplanmasını sağlayın. Elektrikli aletler çevreyle uyumlu bir geri dönüşüm tesisine götürülmelidir.

SORUN GİDERME

SORUN	NEDENİ	ÇÖZÜM
Süpürge çalışmıyor.	<ul style="list-style-type: none"> Akü takımının şarjı düşüktür. Akü takımı düzgün takılmamıştır. 	<ul style="list-style-type: none"> Akü takımını şarj edin. Akü takımını yerine oturuncaya kadar süpürgeye doğru kaydırın.
Emme gücü zayıf	<ul style="list-style-type: none"> Süpürge hortumunda veya emme girişinde tıkanıklık var. Filtre ince tozla tıkanmıştır. Toz haznesi dolu. Akü takımının şarjı düşüktür. Tahliye portu kapağı toz haznesinden çıkarılmıştır. 	<ul style="list-style-type: none"> Süpürge hortumundaki veya emme girişindeki tıkanıklığı kontrol edin ve temizleyin. Bu kılavuzdaki "FİLTRE BAKIMI" bölümünü uygulayarak filtreyi temizleyin. Toz haznesini boşaltın. Aküyü şarj edin. Tahliye portu kapağını toz haznesine takın.
Makine çalışıyor ancak emiş yok.	<ul style="list-style-type: none"> Güç kafası tertibatı toz haznesine tam olarak takılmamıştır. 	<ul style="list-style-type: none"> Güç kafası tertibatının toz haznesine tam olarak takıldığından emin olun.
Üfleme çıkış portundan toz kaçıyor.	<ul style="list-style-type: none"> Filtre yok veya yanlış takılmıştır. Filtre hasarlıdır. 	<ul style="list-style-type: none"> Filtrenin doğru takılıp takılmadığını kontrol edin. Yeni bir filtreyle değiştirin.
Süpürge, uzaktan kumanda ile kontrol edilemiyor.	<ul style="list-style-type: none"> Uzaktan kumanda, süpürgeyle eşleştirilmemiştir. Uzaktan kumanda şarjı düşük. Uzaktan kumanda hasarlı. 	<ul style="list-style-type: none"> Bu kılavuzdaki "Uzaktan Kumanda Eşleştirme" bölümünü izleyerek uzaktan kumandayı süpürgeyle eşleştirin. Uzaktan kumandayı şarj edin. Yeni bir uzaktan kumanda kullanın ve uzaktan kumanda eşleştirmesini gerçekleştirin.

TR

GARANTİ

EGO GARANTİ POLİTİKASI

EGO Garanti Politikasına ilişkin tüm hükümler ve koşullar için lütfen egopowerplus.eu adresindeki web sitesini ziyaret edin.

LUGEGE KÕIKI JUHISEID!



LUGEGE KASUTUSJUHENDIT

⚠ HOIATUS! Turvalisuse ja vastupidavuse tagamiseks peab kõiki parandustöid läbi viima kvalifitseeritud hooldustehnik.

OHUTUSSÜMBOLID

Ohutussümbolite eesmärk on pöörata tähelepanu võimalikele ohtudele. Ohutussümbolitele ja nende juures olevatele seletustele tuleb korralikult tähelepanu pöörata ja need endale selgeks teha. Ohutussümbolid iseenesest ei kõrvalda ohtu. Nendega kaasnevad juhendid ja hoiatused ei asenda asjakohaseid õnnetuste ennetamise meetmeid.

⚠ HOIATUS! Enne käesoleva masina kasutamist lugege kindlasti läbi ja tehke endale selgeks kõik kasutusjuhendis toodud ohutusjuhised, sh kõik ohutussümbolid, nagu „OHT“, „HOIATUS“ ja „ETTEVAATUST“. Kui allpool loetletud juhiseid ei järgita, võib tagajärjeks olla elektrilöök, tulekahju ja/või rasked kehavigastused.

SÜMBOLITE TÄHENDUSED

⚠ OHUTUSSÜMBOL Sümboloid OHT, HOIATUS või ETTEVAATUST võidakse kasutada koos teiste sümbolite või piktograafidega.

OHUTUSJUHISED

Sel lehel on kujutatud ja kirjeldatud ohutussümboliteid, mida võib käesolevalt tootelt leida. Enne, kui üritate masinat kokku panna ja kasutada, lugege, tehke omale selgeks ja järgige kõiki juhiseid.



Ohustusteade



Vigastusohu vähendamiseks peab kasutaja enne toote kasutamist kasutusjuhendit lugema.



Elektriseadmete jäätmeid ei tohi visata olmejäätmete hulka. Viige volitatud taaskäitleja juurde.



Alalisvool



Toode vastab kohaldatavatele EÜ direktiividele.



UKCA vastavusmargisega

ET

IPX4 Kaitstud igast suunast tulevate pritsmete vastu

L Liiter

kg Kilogramm

V Volti

°C Celsius

l/min Liitrit minutis

Pa Pascal

⚠ HOIATUS! Lugege kõiki juhiseid ja tehke need endale selgeks. Kui kõiki allpool loetletud juhiseid ei järgita, võib tagajärjeks olla elektrilöök, tulekahju ja/või tõsised isikuvigastused.

Seadet ei tohi kasutada vähenenud füüsiliste, sensoorsete või vaimsete võimetega või väheste kogemuste ja teadmistega isikud (sh. lapsed), välja arvatud juhul, kui nende turvalisuse eest vastutav isik on taganud piisava järelevalve ja juhendamise vastava seadme kasutamise kohta.

- Lastele tuleb õpetada, et nad ei tohi seadmega mängida.
- Vältige seadme või aku kokkupuudet liiga kõrgete temperatuuridega.
- Võtke arvesse akutoitega seadme või aku klemmide lühistamise ohtu metallesemete poolt.
- Laetavad akud tuleb seadmelt enne selle käitlemist eemaldada.
- Erinevat tüüpi akusid või uusi ja kasutatud akusid ei tohi segada.
- Tühjad akud tuleb seadmest eemaldada ja ohutult kõrvaldada.
- Eemaldage patareid/akud, kui seadet hoiustatakse pikka aega seda kasutamata.
- Ärge kasutage laetavate akude asemel mittelaetavaid akusid.
- Ärge kasutage muudetud ega kahjustatud akusid.
- **Kasutage ainult täpsustatud akuplokke ja laadijaid**

Hoidke need juhised alles. Lugege juhendit sageli ning kasutage seda masinat kasutavate isikute väljaõpetamiseks. Kui te masinat kellelegi laenate, andke sellega kaasa ka käesolev kasutusjuhend, et vältida toote väärkasutamist ja võimalikke vigastusi.

TEHNILISED ANDMED

Pinge	56 V		
Tolmupaagi maht	34 l		
Kiirusrežiim	Madal	Suur	TURBO
Max Öhuvool (l/min)	1900	2500	3100
Max Imemisvõimsus (Pa)	10000	15900	24800
Kaugjuhtimispuhuti	Laadimistemperatuur	0°C kuni 45°C	
	Max Laadimispinge	5 V	
	Max Laadimisvool	1 A	
Kaal (ilma akuplokita)	12,1 kg		

Soovituslik töökeskkonna temperatuur	-5°C kuni 40°C
Soovituslik hoiustamise temperatuur	-20°C kuni 70°C

PAKENDI LOEND (JONISED A1 JA A2)

SOOVITATUD TARVIKUD

HOIATUS! Kasutage ainult allpool loetletud tarvikuid. Algselle tootespetsifikatsioonile mittevastavate tarvikute kasutamine võib põhjustada häireid seadme töös ja puudujääke ohutuses.

OSA NIMI	MUDELI NUMBER
Tolmukotid (5 tk)	AVG0905
Asendusfilter	AVF0900

KIRJELDUS

TUNDKE OMA MÄRG-/KUIVTOLMUIMEJAT (Joonised A1 ja A2)

1. Toitepea koost
2. Käepide
3. Tarvikute hoiuruum
4. Tolmupaagi riiv (x2)
5. Tagaratas (x2)
6. Tolmupaak
7. Piduriga rullikratas (x2)
8. Äravooluava kork
9. Piluotsak
10. Imemise sisselaskeava
11. Juhtpaneel
12. Tolmuimeja vooliku hoiustamispesad
13. Puhumise väljalaskeava
14. Tarvikute ajutine hoiustamine
15. Suur põrandaotsak + harjastega otsak
16. Pikendustorud
17. Akuvabastusnupp
18. Filtri isepuhastamise nupp
19. Filtri isepuhastamise pistik
20. Tolmuimeja voolik
21. Voolikuvabastusnupp

ET

22. Imemisregulaator
23. Kaugjuhtimispidli koost
24. Kummilatt
25. Tolmukott
26. Kaugjuhtimispidli laadimiskaabel
27. Kaugjuhtimispidli
28. Ümmargune tolmuharja otsak
29. Kompaktne põrandaoatsak
30. Elektritööriista adapter
31. Toitenupp
32. Sisse-väljalülitusnupp
33. Kiiruse nupp
34. Kiirusindikaator
35. TURBOnupp
36. TURBO märgutuli
37. Filter
38. Filtri klamber
39. Vedelikuandur (x4)
40. Tolmukoti klamber
41. Äravooluava

KOKKUPANEK

TOLMUIMEJA VOOLIKU ÜHENDAMINE/ LAHTIÜHENDAMINE

Ühendamiseks lükake vooliku ots imemise sisselaskeava või puhumise väljalaskeava porti, kuni kuulete „klõpsatust“ (joonis B1).

Lahtiühendamiseks vajutage ja hoidke vooliku eemaldamiseks all vooliku vabastusnuppe (joonis B2).

B1-1	Tolmuimeja voolik	B1-2	Imemise sisselaskeava
B1-3	Puhumise väljalaskeava	B2-1	Voolikuvabastusnupud

ET

PIKENDUSTORUDE ÜHENDAMINE/ LAHTIÜHENDAMINE (Joonis C)

Ühendage tolmuimeja voolikuga üks või kaks pikendustoru vastavalt oma vajadustele.

Ühendamiseks sisestage pikendustoru kitsas ots tolmuimeja voolikusse nii kaugele kui võimalik, kuni pikendustoru on oma kohale kinnitatud.

Lahtiühendamiseks tõmmake pikendustoru tolmuimeja vooliku küljest lahti.

Teine pikendustoru ühendamine/lahutamine esimese toruga toimub samal viisil.

C-1	Tolmuimeja voolik	C-2	Kitsas ots
C-3	Lai ots	C-4	Pikendustorud

OTSAKUTE PAIGALDAMINE/EEMALDAMINE

Valige vastavalt oma vajadustele sobiv otsak, mis paigaldatakse otse tolmuimeja voolikule või pikendustorule (joonis D1)

- Otsaku ühendamiseks pikendustoruga sisestage otsak pikendustorusse nii kaugele kui võimalik, kuni see on oma kohale kinnitatud. Lahtiühendamiseks tõmmake otsak pikendustoru küljest lahti.
- Otsaku ühendamiseks tolmuimeja voolikuga joondage otsaku nupp tolmuimeja voolikus oleva soonega, sisestage otsak tolmuimeja voolikusse, kuni kuulete „klõpsatust“. Ühenduse katkestamiseks vajutage ja hoidke otsaku eemaldamiseks vabastusnuppu.

D1-1	Vabastusnupp	D1-2	Soon
D1-3	Pikendustorud (valikuline)	D1-4	Nupp
D1-5	Otsak		

Piluotsak (joonis D2)

Pimedaid alasid saab hõlpsasti puhastada, kui kasutada piluotsakut koos kaugjuhtimispidli integreeritud valgusega.

Ühendage piluotsak tolmuimeja voolikuga ja klõpsake kaugjuhtimispidli tolmuimeja vooliku kaugjuhtimispidli kinnituse külge. Vajutage kaugjuhtimispidli valgustusnuppu ja läbipaistev piluotsak süttib.

D2-1	Piluotsak	D2-2	Valgusnupp
D2-3	Kaugjuhtimispidli		

Elektritööriista adapter (joonis D3)

Elektritööriista adapter võimaldab tolmuimejat ühendada 32 mm tolmu väljalaskeavaga elektritööriistaga.

Kui tolmuimeja voolik on ühendatud tolmuimeja sisselaskeavaga, sisestage elektritööriista adapter tolmuimejasse nii kaugele kui võimalik, kuni elektritööriista adapter on paigas, ja seejärel ühendage adapter elektritööriista tolmu väljalaskeavaga.

⚠ HOIATUS! Elektritööriista adapterit ei saa ühendada pikendustoru(de)ga. Jõuga paigaldamine võib kahjustada elektritööriista adapterit või pikendustoru(sid).

D3-1	Elektritööriist (pole kaasas)	D3-2	Elektritööriista adapter
D3-3	Tolmuimeja voolik	D3-4	Imemise sisselaskeava

Suur pörandaotsak + harjastega otsak / kummilatt (joonis D4)

Suurt pörandaotsakut saab kombineerida harjastega otsaku või kummilattiga.

Avage kergelt lati mõlemad otsad ja vajutage otsad alla, et eemaldada latt otsaku küljest.

Lati paigaldamiseks lükake lati otsad otsaku aukudesse, kuni kuulete „klõpsatust“.

D4-1	Suur pörandaotsak	D4-2	Otsaku augud
D4-3	Kummilatt	D4-4	Lati otsad

TOITEPEA KOOSTU PAIGALDAMINE/ EEMALDAMINE

Paigaldamiseks lükake tolmpaagi riivide alumisi osi, langetage toitepea koost tolmpaagile ja seejärel lükake tolmpaagi riivide ülemisi osi (joonised E1 ja E2).

Eemaldamiseks lükake tolmpaagi alumisi osi ja tõstke seejärel toitepea koostu (joonis E3).

TOLMUKOTI PAIGALDAMINE/EEMALDAMINE

- Vabastage tolmpaak ja tõstke toitepea koost üles.
- Paigaldamiseks** sisestage tolmukoti kronsteini pilusse ainult tolmukoti plaat, kuni plaat langeb mööda sooni alla. Enne tolmu või prahi korjamist keerake tolmukott käsitsi lahti (joonis F1).

Eemaldamiseks tõstke plaat veidi üle soonte ja seejärel tõmmake plaat pesast välja, et tolmukott eemaldada (joonis F2).

F1-1	Tolmukoti klamber	F1-2	Pesa
F1-3	Tolmukott	F1-4	Plaat
F2-1	Ribid		

KASUTAMINE

RAKENDUSALAD

Seda toodet võib kasutada allpool loetletud eesmärkidel.

- Vedelate jäätmete või kuiva tolmu sisse imemine, kui kasutatakse imemisava.

- Töötab puhurina, kui kasutatakse puhumise väljalaskeava.

AKUPLOKI PAIGALDAMINE/EEMALDAMINE

Kasutage ainult joonisel A3 esitatud EGO akuplokke ja laadureid.

Lisateavet leiate vastavatest akuplokkide ja laadijate kasutusjuhenditest.

Enne esmakasutamist laadige täielikult täis.

Paigaldamine

Joondage aku sooned paigaldusavadega ja libistage akuplokk tolmuimejasse, kuni kostub klõpsatus (joonis G1).

Eemaldamine

Vajutage akuvabastusnuppu ja tõmmake akuplokk välja (joonis G2).

G1-1	Paigaldusava	G1-2	Soon
G2-1	Akuvabastusnupp		

MÄRJA/KUIVA TOLMUIMEMISE KÄIVITAMINE/ PEATAMINE (JONIS H)

Tolmuimeja käivitamine

- Veenduge, et toitepea koost on tolmpaagile paigaldatud ja tolmpaak on kindlalt lukustatud. Veenduge, et tolmuimeja voolik, nõutavad pikendustorud ja otsak on korralikult ühendatud.

MÄRKUS. Tolmuimeja töötab ainult siis, kui toitepea koost on kindlalt tolmpaagi külge kinnitatud.

- Paigaldage aku.
- Tolmuimeja sisselülitamiseks vajutage toitenuppu.
- Vajutage kiiruse reguleerimise nuppu, et valida madal kiirus või suur kiirus, ja seejärel vajutage tolmuimeja käivitamiseks käivitus- ja seiskamisnuppu. Või vajutage TURBOnuppu, et käivitada tolmuimeja otse maksimaalsel kiirusel.

MÄRKUS. Kiirust saab reguleerida ka tolmuimemise ajal. Lisateavet leiate peatükist „KIIRUSE VALIK“.

Tolmuimeja peatamine

- Kui tolmuimeja on lõppenud või kui tolmpaak on täis, vajutage imemise ajutiseks peatamiseks käivitus- ja seiskamisnuppu.
- Või vajutage toitenuppu, et tolmuimeja täielikult välja lülitada.
- Eemaldage aku.

ET

4. Tühjendage tolmupaak sobivasse anumasse või äravoolu.

MÄRKUS. Taaskäivitamisel jätkab tolmuimeja varem aktiivse regulaarkiruse seadistusel.

Toitenupu märgutuli

Toitenupu märgutuli	Tähendus	Toiming
Pidev roheline	Ooterežiim	Toiminguid pole vaja. Tolmuimeja lülitub automaatselt välja pärast ühetunnist tegevusetust
	Masin töötab korralikult.	Normaalne töötamine.
Vilgub roheliselt 6 korda, seejärel lülitub välja.	Vedeliku tase paagis on jõudnud vedelikundurite alumise otsani	Peatage tolmuimeja, eemaldage aku ja seejärel tühjendage paak, järgides tühjendusjuhiseid.
Vilgub pidevalt roheliselt	Elektronika viga	Abi saamiseks võtke ühendust EGO klienditeenindusega

KIIRUSE VALIK

Tavaline kiiruserežiim

- Iga kord, kui vajutatakse kiiruse reguleerimise nuppu, vahetub kiirus madala taseme ja kõrge taseme vahel. Kiiruse märgutuli põleb roheliselt, mis vastab praegusele kiirustasemele.
- Tolmuimeja salvestab viimase kiiruse seadistuse ja naaseb sellele taaskäivitamisel.

TURBOrežiim

- Vajutage TURBOnuppu, TURBO märgutuli süttib roheliselt ja tolmuimeja hakkab tööle otse TURBOKiirusel ehk suurimal kiirusel.
- Kui olete TURBO režiimis, vajutage uuesti TURBOnuppu või vajutage kiiruse reguleerimise nuppu, käivitus- ja seiskamisnuppu või toitenuppu – TURBO märgutuli kustub ja tolmuimeja väljub TURBO režiimist.

MÄRKUS. Pärast TURBO režiimist väljumist jätkab tolmuimeja varem aktiivne olnud tavakiirusel.

IMEMISREGULAATOR (joonis 1)

Imamisel saab tolmuimeja vooliku otsas olevat õhuvoolu juhtida imemisregulaatorit keerates. Imemise vahendamiseks keerake regulaatorit õhu väljalaskeava

paljastamiseks, imemise suurendamiseks keerake regulaatorit õhu väljalaskeava katmiseks.

See funktsioon on eriti kasulik, kui tolmuimeja voolik on imemise ajal vaipade, lappide jms tõttu suletud, keerake regulaatorit nii, et õhu väljalaskeava avaneks, ja imemisvõime väheneb.

I-1	Imemisregulaator	I-2	Õhu väljalaskeava
-----	------------------	-----	-------------------

KAUGJUHTIMISPULT

- Kaugjuhtimispuldi saab tolmu imemise ajal asetada tolmuimeja voolikule (joonis J1).
- Kui tolmuimeja on sisse lülitatud, saate kaugjuhtimispuldi abil tolmuimeja käivitada/peatada või lülitada masina TURBO režiimi.

MÄRKUS. Kaugjuhtimispult ei saa lülitada tavalise, madala või suure kiiruse vahel.

- Kaugjuhtimispulti saab kasutada ka taskulambina pimedate alade jaoks, eriti kui kasutada piluotsakut.

Kaugjuhtimispuldi sidumine (joonis J2)

Kaugjuhtimispult on tehases tolmuimejaga ühendatud. Kui aga kaugjuhtimispult on kahjustatud või kadunud, järgige alltoodud juhiseid, et siduda oma uus kaugjuhtimispult tolmuimejaga.

1. Paigaldage aku.
2. Tolmuimeja sisselülitamiseks vajutage toitenuppu.
3. Vajutage pikalt tolmuimeja käivitus- ja seiskamisnuppu, kuni toitenupu indikaator vilgub aeglaselt roheliselt.
4. Vajutage TURBOnuppu või kaugjuhtimispuldi käivitus- ja seiskamisnuppu niipea, kui toitenupu märgutuli hakkab aeglaselt roheliselt vilkuma.
5. Toitenupu märgutuli vilgub kiiresti roheliselt ja põleb seejärel püsivalt roheliselt, mis näitab, et ühendamine õnnestus.

Kaugjuhtimispuldi märgutuli

Kaugjuhtimispuldi märgutuli	Tähendus	Toiming
Vilgub kiiresti roheliselt	Kaugjuhtimispuldi aku on peaaegu tühjaks saanud.	Laadige kaugjuhtimispulti.
Vilgub aeglaselt roheliselt	Kaugjuhtimispult laeb.	Midagi pole vaja ette võtta.

ET

Pidev roheline	Kaugjuhtimispuldi laadimine on lõppenud.	Ühendage kaugjuhtimispult ja laadimiskaabel toiteallikast lahti.
----------------	--	--

MÄRKUS. Tavalise töötamise ajal süttib kaugjuhtimispuldi märgutuli ühe korra ja kustub siis, kui vajutate ühe korra TURBOnuppu või käivitus- ja seiskamisnuppu.

Kaugjuhtimispuldi laadimine (joonis J3)

Aeg-ajalt tuleb kaugjuhtimispuldi akut laadida.

⚠ HOIATUS! Selle kaugjuhtimispuldi sees oleva laetava liitiumioonaku puhul pidage mees järgmist.

- Tulekahju ja põletuste oht.
 - Mitte koost lahti võtta, mitte kuumutada üle 60 °C ja mitte põlema panna.
 - Ärge tekitage lühist.
 - Kui see on tugevalt paisunud, lõpetage kasutamine.
1. Avage USB-C pordi kate.
 2. Ühendage kaasasoleva laadimiskaabli USB-C ots kaugjuhtimispuldi USB-C pordiga.
 3. Ühendage laadimiskaabli teine ots ühilduva USB-toiteadapteri/laadijaga (ei ole kaasas). Täielikult tühjenenud aku laadimiseks võib kuluda kuni kaks tundi.
 4. Kui laadimine on lõppenud, eemaldage laadimiskaabel ja sulgege USB-C-pordi kate, et kaitsta USB-C-porti saastumise eest.

J3-1	USB-C pordi kate	J3-2	USB-C-port
J3-3	Laadimiskaabel		

TOLMUIMEJAGA TÖÖTAMINE

Märgtolmuimemise toiming

- Ärge kasutage märgtolmuimemise ajal tolmuikotti.
- Lülitage tolmuimeja kohe välja, kui tolmupeak on täis. Tühjendage tolmupeak sobivasse anumasse või äravoolu.
- Puhastage korrapäraselt tolmupeagi sisemust, filtrit ja tarvikuid, tehke seda sagedamini, kui kasutatakse seadet märgade, kleepuvate materjalide imemiseks.

Kuivtolmuimemise toiming

- Veenduge, et filter oleks pärast märgtolmuimemist täiesti kuiv, või kasutage kuivtolmuimemiseks teist kuivfiltrit. Niisked või märgjad filtrid ummistuvad tolmuaga või lähevad hallitama.
- Ränidioksiidi tolmuaga kokkupuutumise vähendamiseks

kasutage tolmuikotti.

- Lülitage tolmuimeja kohe välja, kui tolmuikott on täis.
- Tühjendage tolmupeak sobivasse anumasse või äravoolu.

Puhuri toiming

⚠ HOIATUS! Kui kasutate seda masinat puhurina, kandke alati kaitseprille.

⚠ HOIATUS! Ärge puhuge tuleohtlikke või põlevaid materjale, nagu bensiini, ega kasutage seda kohtades, kus selliseid materjale võib leiduda. See võib põhjustada tulekahju.

⚠ HOIATUS! Ärge suunake õhuvoolu inimeste või lemmikloomade suunas.

HOOLDUS

⚠ HOIATUS! Raskete vigastuste vältimiseks eemaldage alati aku, enne kui asute seadet remontima, puhastama, tarvikuid vahetama või kinni jäänud objekte eemaldama.

ÜLDHOOLDUS

Vältige plastosade puhastamisel lahustite kasutamist. Enamik plastmaterjalidest on vastuvõtlikud müügil olevatest lahustitest tulenevatele kahjustustele. Kasutage mustuse, tolmu, õli, määrde jms eemaldamiseks puhast lappi.

⚠ HOIATUS! Ärge kunagi laske pidurivedelikel, bensiinil, naftapõhistel toodetel, läbistavatel õlidel jne kokku puutuda plastosadega. Kemikaalid võivad plasti kahjustada, nõrgendada või hävitada, mille tagajärjeks võib olla raske kehavigastus.

⚠ HOIATUS! Tulekahju, kehavigastuste ja lühisest põhjustatud tootekahjustuste ohu vähendamiseks ärge kunagi kastke masinat, akuplokki või laadijat vedelikku ega laske vedelikul nende sisse voolata. Sõõvitavad või juhtivad vedelikud, nagu merevesi, teatud tööstuskemikaalid, pleegitus- või valgendusaineid sisaldavad tooted jms võivad põhjustada lühiühenduse.

TOLMUPAAGI TÜHJENDAMINE

1. Eemaldage äravooluava kork, et tühjendada tolmupeagis olev vedelik sobivasse anumasse või äravoolu, kui see on saadaval.
2. Eemaldage toitepea koost tolmupeagist.
3. Eemaldage tolmuikott, kui see on paigaldatud.
4. Eemaldage tolmupeagist kogu mustus ja praht ning puhastage paak õrnatoimelise seebi ning veega.

5. Laske tolmupaagil enne toitepea koostu uuesti kokkupanemist kuivada.

FILTRI HOOLDUS

Filtri isepuhastamise süsteem

1. Ühendage tolmuimeja voolik tolmuimeja sisselaskeavaga ja paigaldage vooliku teine ots filtri isepuhastamise pistiku külge (joonis K1).
2. Paigaldage aku, vajutage masina sisselülitamiseks toitenuppu.
3. Valige soovitud kiirusrežiim ja vajutage masina sisselülitamiseks käivitus- ja seiskamisnuppu.
4. Filtri puhastamiseks vajutage filtri isepuhastamise nuppu (joonis K2).

NÕUANDED. Parima puhastusefekti saavutamiseks on soovitatav valida TURBOrežiim ja vajutada filtri isepuhastamise nuppu viis korda ning hoida seda iga kord kolm sekundit all.

K1-1	Imemise sisselaskeava	K1-2	Tolmuimeja voolik
K1-3	Filtri isepuhastamise pistik	K2-1	Filtri isepuhastamise nupp

Filtri pesemine

Eemaldage aku ja uurige filtrit, tõstes toitepea koostu. Kui filter on pärast jaotises „**Filtri isepuhastamise süsteem**” toodud samme endiselt määratud, eemaldage filter ja loputage seda külmas vees. Laske filtril täielikult kuivada ja paigaldage see uuesti.

Filtri vahetamine (joonis L1 ja joonis L2)

⚠ HOIATUS! Kontrollige filtrit perioodiliselt ja vahetage see välja, kui see on kulunud või kahjustatud. Kahjustatud filtri kasutamine võib kaasa tuua soovimatute õhusaasteainete eraldumise mahutist.

1. Tõstke toitepea koost üles ja asetage see ühele küljele (joonis L1).
2. Avage filtri klambri käepide ja tõmmake klamber koos filtriga välja (joonis L2).
3. Kasutage filtri alalt tolmu ja prahi eemaldamiseks niisket lappi.
4. Paigaldage klambrisse uus või puhastatud filter.
5. Asetage klamber filtri piirkonda ja keerake käepide kokku.

L1-1	Käepide	L1-2	Filtri klamber
------	---------	------	----------------

TOLMUIMEJA HOIUSTAMINE

1. Eemaldage tolmuimejast akuplokk.
2. Enne hoiustamist puhastage tolmuimeja põhjalikult.
3. Hoidke tolmuimejat kuivas, hästi ventileeritavas, lukustatud kohas ja kõrgel, lastele ligipääsmatult. Ärge hoiustage tolmuimeajat väetiste, bensiini või muude kemikaalide peal või lähedal.

KESKKONNAKAITSE



Ärge visake elektriseadmeid, kasutatud akut ega laadurit olmeprügi hulka! Viige toode volitatud taaskäitleja juurde ja võimaldage selle komponendid sorteerituna kõrvaldada. Elektritööriistad tuleb viia keskkonnakaitsenõudeid järgivasse jäätmekäitluskeskusesse.

ET

TÕRKEOTSING

PROBLEEM	PÕHJUS	LAHENDUS
Tolmuimeja ei käivitu.	<ul style="list-style-type: none"> ■ Akuploki laetuse tase on madal. ■ Aku ei ole korralikult paigaldatud. 	<ul style="list-style-type: none"> ■ Laadige akuplokki. ■ Lükake akuplokk tolmuimejasse, kuni see oma kohale klõpsatab.
Tolmuimeja võimsus on nõrk	<ul style="list-style-type: none"> ■ Tolmuimeja voolikus või imemisavas on ummistus. ■ Filter on peene tolmu ummistunud. ■ Tolmupaak on täis. ■ Akuploki laetuse tase on madal. ■ Tühjendusava kork on tolmuvaagilt eemaldatud. 	<ul style="list-style-type: none"> ■ Kontrollige ja eemaldage ummistus tolmuimeja voolikust või imemissisendist. ■ Puhastage filtrit selle juhendi jaotise „FILTRI HOOLDUS“ järgi. ■ Tühjendage tolmuvaak. ■ Laadige akuplokki ■ Paigaldage äravooluava kork tolmuvaagile.
Masin töötab, kuid ei ime.	<ul style="list-style-type: none"> ■ Toitepea koost ei ole täielikult tolmuvaagile paigaldatud. 	<ul style="list-style-type: none"> ■ Veenduge, et toitepea koost oleks täielikult tolmuvaagile paigaldatud.
Tolm väljub puhumise väljalaskeavast.	<ul style="list-style-type: none"> ■ Filter puudub või on valesti paigaldatud. ■ Filter on kahjustatud. 	<ul style="list-style-type: none"> ■ Kontrollige filtri õiget paigaldust. ■ Asendage uue filtriga.
Tolmuimejat ei saa kaugjuhtimispuldiga juhtida.	<ul style="list-style-type: none"> ■ Kaugjuhtimispult ei ole tolmuimejaga seotud. ■ Kaugjuhtimispuldi laetus on madal. ■ Kaugjuhtimispult on kahjustatud. 	<ul style="list-style-type: none"> ■ Siduge kaugjuhtimispult tolmuimejaga, järgides selle juhendi peatükki „Kaugjuhtimispuldi sidumine“. ■ Laadige kaugjuhtimispulti. ■ Kasutage uut kaugjuhtimispulti ja siduge see tolmuimejaga.

ET

GARANTII

EGO GARANTIIPÕHIMÕTTED

Täielikud EGO garantiitingimused leiate veebilehelt egopowerplus.eu.

ПРОЧИТАЙТЕ ВСІ ІНСТРУКЦІЇ!



ПРОЧИТАЙТЕ ПОСІБНИК З ЕКСПЛУАТАЦІЇ

⚠ ПОПЕРЕДЖЕННЯ. Для гарантування безпеки та надійності всі ремонтні роботи повинен проводити кваліфікований технічний спеціаліст.

СИМВОЛИ, ЩО СТОСУЮТЬСЯ БЕЗПЕКИ

Мета символів, пов'язаних із безпекою, – привернути вашу увагу до можливих небезпек. Символи безпеки та їхнє пояснення заслуговують на вашу пильну увагу та розуміння. Символи попереджень самі по собі не усувають будь-якої небезпеки. Інструкції та попередження, які вони надають, не замінюють належних заходів щодо запобігання аваріям.

⚠ ПОПЕРЕДЖЕННЯ. Перш ніж користуватися цією машиною, обов'язково ознайомтеся з усіма інструкціями з безпеки, наведеними в цьому посібнику користувача, зокрема з усіма символами попереджень, такими як «**НЕБЕЗПЕКА**», «**ПОПЕРЕДЖЕННЯ**» та «**ЗАСТЕРЕЖЕННЯ**». Недотримання наведених нижче вказівок може спричинити ураження електричним струмом, пожежу та/або серйозні травми.

ЗНАЧЕННЯ СИМВОЛУ

⚠ СИМВОЛ ПОПЕРЕДЖЕННЯ ЩОДО БЕЗПЕКИ: Вказує на **НЕБЕЗПЕКУ**, **ПОПЕРЕДЖЕННЯ** або **ЗАСТЕРЕЖЕННЯ**. Може використовуватися разом з іншими символами або піктограмами.

ПРАВИЛА ТЕХНІКИ БЕЗПЕКИ

На цій сторінці зображено та описано символи, пов'язані з безпекою, які можуть відобразитися на цьому виробі. Перш ніж намагатися зібрати та експлуатувати його, ознайомтеся з усіма інструкціями на інструменті та дотримуйтесь їх.



Попередження щодо безпеки



З метою зменшення ризику отримання травм користувач повинен прочитати посібник з експлуатації.



Відходи електричних виробів не слід викидати разом із побутовим сміттям. Зверніться до авторизованого пункту переробки.



Постійний струм



Цей виріб відповідає чинним директивам ЄС.



Оцінка відповідності у Великобританії

UK

IPX4 Захист від бризок води

л Літр

кг Кілограми

В Вольт

°C Градуси Цельсія

л/хв Літр на хвилину

Па Паскаль

⚠ ПОПЕРЕДЖЕННЯ Ознайомтеся з усіма інструкціями. Недотримання наведених нижче вказівок може спричинити ураження електричним струмом, пожежу та/або серйозні травми.

198

Цей прилад не призначено для використання особами (зокрема дітьми) з обмеженими фізичними, сенсорними чи розумовими можливостями, або такими, що мають недостатньо досвіду або знань, окрім випадків, якщо вони використовують прилад під наглядом або були проінструктовані стосовно його використання особою, відповідальною за їхню безпеку.

- Діти повинні бути під наглядом, щоб вони не бавилися з приладом.
- Не піддавайте прилад або акумулятор впливу екстремальних температур.
- Пам'ятайте про ризик короткого замикання клем приладу, що працює від акумулятора, або самого акумулятора металевими предметами.
- Акумулятори необхідно виймати з приладу перед зарядженням.
- Не можна змішувати різні типи батарей або нові та використані батареї.
- Використані батареї необхідно вийняти з приладу та безпечно утилізувати.
- Якщо прилад зберігатиметься без використання протягом тривалого часу, батареї слід вийняти.
- Не використовуйте неакумуляторні батареї замість акумуляторних.
- Не використовуйте модифіковані або пошкоджені батареї.
- **Використовуйте тільки із зазначеними акумуляторними батареями та зарядними пристроями**

Збережіть цю інструкцію. Часто переглядайте та використовуйте їх, щоб навчати інших, хто може використовувати цей інструмент. Якщо ви надаєте комусь цю машину, надайте їм ці інструкції, щоб запобігти неналежному використанню виробу та можливим травмам.

ТЕХНІЧНІ ХАРАКТЕРИСТИКИ

Напруга	56 В		
Місткість пилозбірника	34 л		
Швидкісний режим	Низька	Висока	ТУРБО
Макс. Витрата повітря (л/хв)	1900	2500	3100
Макс. Потужність всмоктування (Па)	10000	15900	24800

Пульт дистанційного керування	Температура зарядження	0 °C ... +45 °C
	Макс. Напруга зарядження	5 В
	Макс. Струм зарядження	1 А
Вага (без акумулятора)		12,1 кг
Діапазон рекомендованих робочих температур		-5 °C ... +40 °C
Діапазон рекомендованих температур зберігання		-20 °C ... +70 °C

ПАКУВАЛЬНИЙ СПИСОК (РИС. А1 І А2)

РЕКОМЕНДОВАНІ АКСЕСУАРИ

⚠ ПОПЕРЕДЖЕННЯ. Використовуйте тільки аксесуари, перелічені нижче. Використання приладдя, що не відповідає характеристикам оригінального обладнання, може призвести до неналежної роботи та поставити під загрозу безпеку.

НАЗВА ДЕТАЛІ	НОМЕР МОДЕЛІ
Мішки для пилу (5 шт.)	AVG0905
Змінний фільтр	AVF0900

ОПИС

ОЗНАЙОМЛЕННЯ З ПИЛОСОСОМ ДЛЯ ВОЛОГОГО/СУХОГО ПРИБИРАННЯ (Рис. А1 і А2)

1. Приводна головка в зборі
2. Ручка
3. Відсік для зберігання аксесуарів
4. Засувка пилозбірника (2 шт.)
5. Заднє колесо (2 шт.)
6. Пилозбірник
7. Коліщатка з гальмом (2 шт.)
8. Кришка зливного отвору
9. Щілизна насадкa
10. Вхідний отвір для всмоктування
11. Панель оператора

UK

12. Отвори для зберігання шлангів пирососа
13. Вихідний отвір для видування
14. Відсік для тимчасового зберігання аксесуарів
15. Велика насадка для підлоги + щітка
16. Подовжувальні трубки
17. Кнопка звільнення акумулятора
18. Кнопка самоочищення фільтра
19. Заглушка для самоочищення фільтра
20. Шланг пирососа
21. Кнопка звільнення шланга
22. Регулятор всмоктування
23. Кріплення для пульта дистанційного керування
24. Гумова планка
25. Мішок для пилу
26. Зарядний кабель для пульта дистанційного керування
27. Пульт дистанційного керування
28. Кругла насадка-щітка для пилу
29. Компактна насадка для підлоги
30. Адаптер для електроінструмента
31. Кнопка живлення
32. Кнопка «Пуск/Стоп»
33. Кнопка швидкості
34. Індикатор швидкості
35. Кнопка ТУРБО
36. Індикатор ТУРБО
37. Фільтр
38. Кронштейн фільтра
39. Датчик рідини (4 шт.)
40. Кронштейн мішка для пилу
41. Зливний отвір

UK

ЗБИРАННЯ

ПІД'ЄДНАННЯ/ВІД'ЄДНАННЯ ШЛАНГА ПИРОСОСА

Щоб під'єднати, вставте кінець шланга у всмоктувальний отвір або вихідний отвір для видування, доки не почуєте «клацання» (Рис. В1).

Щоб від'єднати, натисніть і утримуйте кнопки від'єднання шланга, щоб вийняти шланг (рис. В2).

В1-1	Шланг пирососа	В1-2	Вхідний отвір для всмоктування
В1-3	Вихідний отвір для видування	В2-1	Кнопки звільнення шланга

ПІД'ЄДНАННЯ/ВІД'ЄДНАННЯ ПОДОВЖУВАЛЬНИХ ТРУБОК (РИС. С)

Під'єднайте одну або дві подовжувальні трубки до шланга пирососа відповідно до ваших потреб.

Щоб під'єднати, вставте вузький кінець подовжувальної трубки в шланг пирососа до упору, доки подовжувальна трубка не закріпиться на місці.

Щоб від'єднати, витягніть подовжувальну трубку зі шланга пирососа.

Друга подовжувальна трубка під'єднується/від'єднується від першої трубки так само.

С-1	Шланг пирососа	С-2	Вузький кінець
С-3	Широкий кінець	С-4	Подовжувальні трубки

УСТАНОВЛЕННЯ/ВИЙМАННЯ НАСАДОК

Виберіть відповідну насадку для встановлення безпосередньо на шланг пирососа або на подовжувальну трубку відповідно до ваших потреб (рис. D1)

- Щоб з'єднати насадку з подовжувальною трубкою, вставте насадку в подовжувальну трубку до упору, доки вона не зафіксується на місці. Щоб від'єднати, витягніть насадку з подовжувальної трубки.
- Щоб під'єднати насадку безпосередньо до шланга пирососа, сумістіть ручку на насадці з канавкою у шлангу пирососа, вставте насадку в шланг пирососа, доки не почуєте «клацання». Щоб від'єднати, натисніть і утримуйте кнопку розблокування, щоб зняти насадку.

D1-1	Кнопка звільнення	D1-2	Паз
D1-3	Подовжувальні трубки (опціонально)	D1-4	Ручка
D1-5	Насадка		

Щілинна насадка (рис. D2)

Темні ділянки можна легко очистити, використовуючи щілинну насадку в поєднанні з вбудованим підсвічуванням на пульті дистанційного керування.

Під'єднайте щілинну насадку до шланга пилососа та зафіксуйте пульт дистанційного керування на кріпленні для пульта дистанційного керування на шлангу пилососа. Натисніть кнопку підсвічування на пульті дистанційного керування, і прозора щілинна насадка засвітиться.

D2-1	Щілинна насадка	D2-2	Кнопка підсвічування
D2-3	Пульт дистанційного керування		

Адаптер електроінструмента (рис. D3)

Адаптер для електроінструмента дає змогу підключити пилосос до електроінструмента з 32-міліметровим пиловідводом.

Під'єднавши шланг пилососа до всмоктувального отвору пилососа, вставте адаптер електроінструмента в пилосос до упору, доки адаптер електроінструмента не зафіксується на місці, а потім під'єднайте адаптер до пиловідводу електроінструмента.

⚠ ПОПЕРЕДЖЕННЯ. Адаптер для електроінструмента не можна підключити до подовжувальної трубки. Якщо встановлювати із застосуванням сили, це може призвести до пошкодження адаптера електроінструмента або подовжувальної трубки.

D3-1	Електроінструмент (не входить у комплект)	D3-2	Адаптер для електроінструмента
D3-3	Шланг пилососа	D3-4	Вхідний отвір для всмоктування

Велика насадка для підлоги + щітка/гумова планка (рис. D4)

Велику насадку для підлоги можна поєднувати зі щіткою або гумовою планкою.

Злегка відкрийте обидва кінці планки й натисніть на кінці вниз, щоб зняти планку з насадки.

Щоб установити планку, просуньте кінці планки в отвори насадки, доки не почуєте «кляцання».

D4-1	Велика насадка для підлоги	D4-2	Отвори насадки
D4-3	Гумова планка	D4-4	Кінці планки

УСТАНОВЛЕННЯ/ЗНЯТТЯ ПРИВОДНОЇ ГОЛОВКИ В ЗБОРІ

Щоб установити, натисніть на нижні частини засувок

пилосбірника, опустіть приводну головку в зборі на пилосбірник, а потім натисніть на верхні частини засувок пилосбірника (Рис. E1 і E2).

Щоб зняти, натисніть на нижні частини пилосбірника, а потім підніміть приводну головку в зборі (рис. E3).

УСТАНОВЛЕННЯ/ЗНЯТТЯ МІШКА ДЛЯ ПИЛУ

1. Розблокуйте пилосбірник і підніміть приводну головку в зборі.
2. **Щоб установити,** вставте лише пластину мішка для пилу в гніздо кронштейна мішка для пилу, доки пластина не опуститься на ребра. Перед збиранням пилу або сміття розправте мішок для пилу вручну (рис. F1).

Щоб зняти, злегка підніміть пластину над ребрами, а потім витягніть пластину з гнізда, щоб виїняти мішок для пилу (рис. F2).

F1-1	Кронштейн мішка для пилу	F1-2	Отвір
F1-3	Мішок для пилу	F1-4	Пластина
F2-1	Ребра		

ЕКСПЛУАТАЦІЯ

ЗАСТОСУВАННЯ

Ви можете використовувати цей виріб для цілей, перелічених нижче:

- Всмоктування рідких відходів або сухого пилу, коли використовується всмоктувальний вхідний отвір.
- Функціонування як повітродувки, коли використовується вихідний отвір для видування.

УСТАНОВЛЕННЯ І ВИДАЛЕННЯ АКУМУЛЯТОРА

Використовуйте лише з акумуляторними батареями та зарядними пристроями EGO, переліченими на рис. A3.

Щоб отримати додаткові відомості, див. інструкції відповідних акумуляторів і зарядних пристроїв.

Повністю зарядіть перед першим використанням.

Установлення

Вирівняйте виступи на акумуляторі з кріпильними отворами та насуньте акумуляторну батарею на пилосос, доки не почуєте «кляцання» (рис. G1).

Від'єднання

Натисніть кнопку звільнення акумулятора та витягніть акумуляторну батарею (рис. G2).

UK

G1-1	Кріпильний отвір	G1-2	Виступ
G2-1	Кнопка звільнення акумулятора		

ЗАПУСК/ЗУПИНКА ПИЛОСОСА ДЛЯ ВОЛОГОГО/ СУХОГО ПРИБИРАННЯ (РИС. Н)

Запуск пирососа

1. Переконайтеся, що приводна головка встановлена на пилозбірнику, а пилозбірник надійно зафіксований. Переконайтеся, що шланг пирососа, необхідна подовжувальна трубка(-и) та насадка під'єднані належним чином.

ПРИМІТКА. Пиросос працює лише тоді, коли приводна головка в зборі надійно прикріплена до пилозбірника.

2. Установіть акумуляторну батарею.
3. Натисніть кнопку живлення, щоб увімкнути пиросос.
4. Натисніть кнопку регулювання швидкості, щоб вибрати низьку або високу швидкість, а потім натисніть кнопку запуску/зупинки, щоб запустити пиросос. Або натисніть кнопку TURBO, щоб одразу запустити пиросос на максимальній швидкості.

ПРИМІТКА. Швидкість також можна регулювати під час прибирання. Для отримання додаткової інформації див. розділ «ВИБІР ШВИДКОСТІ».

Зупинення пирососа

1. Після завершення прибирання пирососом або коли пилозбірник заповнений, натисніть кнопку запуску/зупинки, щоб тимчасово зупинити пиросос.
2. Або натисніть кнопку живлення, щоб повністю вимкнути пиросос.
3. Вийміть акумуляторну батарею.
4. Випорожніть пилозбірник у відповідну ємність або зливний отвір.

ПРИМІТКА. Під час перезавантаження пиросос відновлює роботу з попередньо встановленими налаштуваннями швидкості.

UK

Індикатор кнопки живлення

Індикатор кнопки живлення	Значення	Дія
Світиться зеленим	Режим очікування	Жодних дій виконувати не потрібно. Пиросос автоматично вимикається після 1 години бездіяльності
	Інструмент працює справно.	Нормальна робота.
Блимає зеленим 6 разів, потім вимикається.	Рівень рідини в баку досягає нижнього кінчика датчиків рідини	Зупиніть пиросос, вийміть акумуляторну батарею, а потім спорожніть бак, дотримуючись інструкцій щодо спорожнення.
Постійно блимає зеленим	Помилка електроніки	Зверніться по допомогу до служби підтримки клієнтів EGO

ВИБІР ШВИДКОСТІ

Режим звичайної швидкості

- Щоразу, коли натискається кнопка регулювання швидкості, швидкість перемикається між низьким і високим рівнем. Індикатор швидкості світиться зеленими вогнями, що відповідають поточному рівню швидкості.
- Пиросос збереже останнє налаштування швидкості й повернеться до нього після перезавантаження.

Режим TURBO

- Натисніть кнопку TURBO, індикатор TURBO засвітиться зеленим, і пиросос почне працювати одразу на швидкості TURBO, тобто на найвищій швидкості.
- У режимі TURBO, натисніть кнопку TURBO ще раз або натисніть кнопку регулювання швидкості, кнопку запуску/зупинки або кнопку живлення – індикатор TURBO вимкнеться, і пиросос вийде з режиму TURBO.

ПРИМІТКА. Після виходу з режиму TURBO пиросос працюватиме зі швидкістю, яка була встановлена раніше.

РЕГУЛЯТОР ВСМОКТУВАННЯ (рис. I)

Під час всмоктування потік повітря на кінці шланга пилососа можна контролювати, повертаючи регулятор всмоктування. Поверніть регулятор, щоб відкрити вихід повітря та зменшити силу всмоктування, або щоб закрити вихід повітря та збільшити силу всмоктування.

Ця функція особливо корисна, коли шланг пилососа прикривається килимами, тканинами тощо під час всмоктування, поверніть регулятор, щоб відкрити вихід повітря, і сила всмоктування зменшиться.

I-1	Регулятор всмоктування	I-2	Отвір для випуску повітря
-----	------------------------	-----	---------------------------

ПУЛЬТ ДИСТАНЦІЙНОГО КЕРУВАННЯ

- Пульт дистанційного керування можна розташувати на шлангу пилососа під час прибирання (рис. J1).
- Коли пилосос увімкнено, ви можете запустити/зупинити пилосос або переключити прилад у режим TURBO за допомогою пульта дистанційного керування.

ПРИМІТКА. Пульт дистанційного керування не може перемикає між низькою або високою швидкістю.

- Пульт дистанційного керування також можна використовувати як ліхтарик для темних ділянок, особливо під час використання щільної насадки.

Сполучення з пультом дистанційного керування (рис. J2)

Пульт дистанційного керування сполучено з пилососом на заводі. Однак якщо пульт дистанційного керування пошкоджений або загублений, виконайте наведені нижче дії для сполучення нового пульта дистанційного керування з пилососом.

1. Установіть акумуляторну батарею.
2. Натисніть кнопку живлення, щоб увімкнути пилосос.
3. Натисніть і утримуйте кнопку запуску/зупинки на пилососі, доки індикатор кнопки живлення не почне повільно блимати зеленим.
4. Натисніть кнопку TURBO або кнопку запуску/зупинки на пульті дистанційного керування, щойно індикатор кнопки живлення почне повільно блимати зеленим.
5. Індикатор кнопки живлення швидко блиматиме зеленим, а потім світлитиметься зеленим, що вказуватиме на успішне сполучення.

Індикатор пульта дистанційного керування

Індикатор пульта дистанційного керування	Значення	Дія
Швидко блимає зеленим	Заряд батареї пульта дистанційного керування майже вичерпано.	Зарядіть пульт дистанційного керування.
Повільно блимає зеленим	Пульт дистанційного керування заряджається.	Жодних дій виконувати не потрібно.
Світлиться зеленим	Зарядження пульта дистанційного керування завершена.	Від'єднайте пульт дистанційного керування та зарядний кабель від джерела живлення.

ПРИМІТКА. Під час нормальної роботи індикатор пульта дистанційного керування загориться один раз, а потім вимкнеться, якщо один раз натиснути кнопку TURBO або кнопку запуску/зупинки.

Зарядження пульта дистанційного керування (рис. J3)

Батарею всередині пульта дистанційного керування потрібно буде час від часу заряджати.

⚠ ПОПЕРЕДЖЕННЯ. Стосовно цього літій-іонного акумулятора всередині пульта дистанційного керування зверніть увагу на таке:

- Ризик пожежі та опіків.
 - Не відкривайте, не роздавлюйте, не нагрівайте вище 60°C і не спалюйте.
 - Не допускайте короткого замикання.
 - Якщо сильні роздуті, припиніть використання.
1. Відкрийте заглушку порту USB-C.
 2. Підключіть кінець USB-C зарядного кабелю, що входить у комплект, до порту USB-C на пульті дистанційного керування.
 3. Підключіть інший кінець зарядного кабелю до сумісного USB-адаптера/зарядного пристрою (не входить у комплект). Зарядження повністю розрядженого акумулятора може зайняти до 2 годин.

UK

4. Після завершення заряджання від'єднайте зарядний кабель і закрийте заглишку порту USB-C, щоб захистити порт USB-C від забруднення.

J3-1	Заглишка порту USB-C	J3-2	Порт USB-C
J3-3	Зарядний кабель		

РОБОТА З ПИЛОСОСОМ

Вологе прибирання

- Не використовуйте мішок для пилу під час вологого прибирання.
- Негайно вимкніть пилосос, коли пилосбірник заповнений. Випорожніть пилосбірник у відповідну ємність або зливний отвір.
- Періодично очищайте пилосбірник усередині, а також фільтр і аксесуари. Робіть це частіше, якщо вони використовуються для збирання вологих, липких матеріалів.

Сухе прибирання

- Переконайтеся, що фільтр повністю висух після вологого прибирання, або використовуйте другий сухий фільтр для сухого прибирання. Вологі або мокрі фільтри заб'ються пилом або запліснявляють.
- Щоб зменшити вплив кремнеземного пилу, використовуйте мішок для пилу.
- Негайно вимкніть пилосос, коли мішок для пилу або пилосбірник заповнено.
- Випорожніть пилосбірник у відповідну ємність або зливний отвір.

Використання як повітродувки

⚠ ПОПЕРЕДЖЕННЯ. Завжди надягайте захисні окуляри, коли використовуєте цей прилад як повітродувку.

⚠ ПОПЕРЕДЖЕННЯ. Не видуйте легкозаймисті або горючі матеріали, такі як бензин, і не використовуйте в місцях, де можуть бути наявні такі матеріали. Це може призвести до пожежі.

⚠ ПОПЕРЕДЖЕННЯ. Не спрямовуйте потік повітря на людей або домашніх тварин.

ОБСЛУГОВУВАННЯ

⚠ ПОПЕРЕДЖЕННЯ. Щоб запобігти серйозним травмам, вийміть акумуляторну батарею з виробу перед обслуговуванням, очищенням, заміною насадок або видаленням матеріалу з пристрою.

ЗАГАЛЬНИЙ ТЕХНІЧНИЙ ДОГЛЯД

Не використовуйте розчинники для очищення пластмасових деталей. Більшість пластмас чутливі до різноманітних промислових розчинників і можуть бути ними пошкоджені. Для видалення бруду, пилу, мастила тощо користуйтеся чистою ганчіркою.

⚠ ПОПЕРЕДЖЕННЯ. Ніколи не допускайте контакту пластмасових частин із гальмівною рідиною, бензином, нафтопродуктами, проникаючими оліями і т. ін. Хімікати можуть пошкодити, ослабити або зруйнувати пластмасу, а це загрожує серйозними травмами.

⚠ ПОПЕРЕДЖЕННЯ. Щоб зменшити ризик пожежі, травмування та пошкодження виробу через коротке замикання, ніколи не занурюйте пристрій, акумулятор або зарядний пристрій у рідину та не допускайте потрапляння рідини всередину. Корозійні або струмопровідні рідини, такі як морська вода, деякі промислові хімікати, відбілювач або продукти, що містять відбілювач тощо, можуть спричинити коротке замикання.

СПОРОЖНЕННЯ ПИЛОЗБІРНИКА

1. Зніміть кришку зливного отвору, щоб злити рідину з пилосбірника у відповідну ємність або злив, якщо є.
2. Зніміть приводну головку в зборі з пилосбірника.
3. Вийміть мішок для пилу, якщо мішок для пилу встановлено.
4. Очистіть пилосбірник від усього бруду або сміття та помийте з м'яким розчином мийного засобу.
5. Дайте пилосбірнику висохнути, перш ніж знову встановлювати приводну головку в зборі.

ОБСЛУГОВУВАННЯ ФІЛЬТРА

Система самоочищення фільтра

1. Під'єднайте шланг пилососа до всмоктувального вхідного отвору пилососа, а інший кінець шланга встановіть на заглишку самоочищення фільтра (рис. K1).
2. Установіть акумуляторну батарею, натисніть кнопку живлення, щоб увімкнути прилад.
3. Виберіть потрібний режим швидкості та натисніть кнопку запуску/зупинки, щоб увімкнути прилад.
4. Натисніть кнопку самоочищення фільтра, щоб очистити фільтр (рис. K2).

ПОРАДИ. Для досягнення найкращого ефекту очищення рекомендується вибрати режим ТУРБО і п'ять разів натиснути кнопку самоочищення фільтра, кожен раз утримуючи її протягом 3 секунд.

K1-1	Вхідний отвір для всмоктування	K1-2	Шланг пирососа
K1-3	Заглушка для самоочищення фільтра	K2-1	Кнопка самоочищення фільтра

Миття фільтра

Вийміть акумуляторну батарею та огляньте фільтр, піднявши приводну головку в зборі. Якщо після виконання кроків, описаних у розділі «**Система самоочищення фільтра**», фільтр усе ще забруднений, вийміть фільтр і промийте його в холодній воді. Дайте фільтру повністю висохнути та встановіть його на місце.

Заміна фільтра (рис. L1 і рис. L2)

⚠ ПОПЕРЕДЖЕННЯ. Періодично перевіряйте фільтр і замінійте його, якщо він зношений або пошкоджений. Використання пошкодженого фільтра може призвести до викиду небажаних забруднюючих речовин із бака в повітря.

1. Підніміть приводну головку в зборі та відкладіть її вбік (рис. L1).
2. Розгорніть ручку кронштейна фільтра та витягніть кронштейн із фільтром (рис. L2).
3. Використовуйте вологий шматок тканини, щоб видалити пил і сміття з області фільтра.
4. Установіть новий або очищений фільтр у кронштейн.
5. Помістіть кронштейн в область фільтра та складіть ручку.

L1-1	Ручка	L1-2	Кронштейн фільтра
------	-------	------	-------------------

ЗБЕРІГАННЯ ПИЛОСОСА

1. Вийміть акумуляторну батарею з пирососа.
2. Ретельно очистьте пиросос, перш ніж зберігати його.
3. Зберігайте пиросос у сухому, добре провітрюваному приміщенні, під замком або на висоті, у недоступному для дітей місці. Не зберігайте пиросос біля мінеральних добрив, бензину та інших хімікатів.

ЗАХИСТ ДОВКІЛЛЯ



Не викидайте електричне обладнання, акумулятор і зарядний пристрій у побутові відходи! Віднесіть цей виріб авторизованому переробнику й надайте його для роздільного збирання. Електроінструменти необхідно повернути в підприємство, що займається екологічно безпечною переробкою.

УСУНЕННЯ НЕСПРАВНОСТЕЙ

НЕСПРАВНІСТЬ	ПРИЧИНА	ВИРІШЕННЯ
Пилосос не запускається.	<ul style="list-style-type: none"> ■ Заряд акумуляторної батареї низький. ■ Акумуляторна батарея не встановлена належним чином. 	<ul style="list-style-type: none"> ■ Зарядіть акумуляторну батарею. ■ Насуньте акумуляторну батарею на пилосос, доки вона не зафіксується на місці.
Потужність пилососа слабка	<ul style="list-style-type: none"> ■ Засмічення шланга пилососа або всмоктувального отвору. ■ Фільтр забитий дрібнодисперсним пилом. ■ Пилосібріник заповнений. ■ Заряд акумуляторної батареї низький. ■ Кришку зливного отвору знято з пилосібріника. 	<ul style="list-style-type: none"> ■ Перевірте та усуньте засмічення в шлангу пилососа або всмоктувальному отворі. ■ Очистьте фільтр, дотримуючись вказівок у розділі «ОБСЛУГОВУВАННЯ ФІЛЬТРА» цього посібника. ■ Спорожніть пилосібріник. ■ Зарядіть акумуляторну батарею ■ Установіть кришку зливного отвору на пилосібріник.
Прилад працює, але всмоктування відсутнє.	<ul style="list-style-type: none"> ■ Приводна головка в зборі не встановлена на пилосібріник повністю. 	<ul style="list-style-type: none"> ■ Переконайтеся, що приводна головка в зборі повністю встановлена на пилосібріник.
Пил виходить із випускного отвору для видування.	<ul style="list-style-type: none"> ■ Фільтр відсутній або встановлений неправильно. ■ Фільтр пошкоджений. 	<ul style="list-style-type: none"> ■ Перевірте правильність установлення фільтра. ■ Замініть фільтр на новий.
Пилососом не вдається керувати за допомогою пульта дистанційного керування.	<ul style="list-style-type: none"> ■ Пульт дистанційного керування не з'єднаний із пилососом. ■ Низький заряд пульта дистанційного керування. ■ Пульт дистанційного керування пошкоджений. 	<ul style="list-style-type: none"> ■ Сполучіть пульт дистанційного керування з пилососом, дотримуючись вказівок у розділі «Сполучення пульта дистанційного керування» цього посібника. ■ Зарядіть пульт дистанційного керування. ■ Використовуйте новий пульт дистанційного керування та виконайте його сполучення.

UK

ГАРАНТІЯ

ПРАВИЛА ГАРАНТІЇ EGO

Відвідайте веб-сайт egopowerplus.eu для отримання повного тексту умов гарантійної політики EGO.

ПРОЧЕТЕТЕ ВСИЧКИ ИНСТРУКЦИИ!



ПРОЧЕТЕТЕ РЪКОВОДСТВОТО НА ОПЕРАТОРА

⚠ ПРЕДУПРЕЖДЕНИЕ: За да осигурите безопасността и надеждността, всички поправки трябва да се извършват от квалифициран сервизен техник.

СИМВОЛИ ЗА БЕЗОПАСНОСТ

Целта на символите за безопасност е да привличат вниманието към възможни опасности. Символите за безопасност и обясненията към тях заслужават вашето повишено внимание и осъзнаване. Символите за безопасност сами по себе си не елиминират каквато и да е опасност. Инструкциите и предупрежденията, които предоставят не са заместители за подходящите мерки за предотвратяване на инцидент.

⚠ ПРЕДУПРЕЖДЕНИЕ: Уверете се, че сте прочели и разбрали всички инструкции за безопасност в това Ръководство на оператора, включително всички известяващи символи за безопасност, като „ОПАСНОСТ“, „ПРЕДУПРЕЖДЕНИЕ“ и „ВНИМАНИЕ“, преди да използвате тази машина. Неспазването на всички инструкции изброени долу може да доведе до електрически удар, пожар и/или сериозно нараняване.

ЗНАЧЕНИЕ НА СИМВОЛИТЕ

⚠ СИМВОЛ СИГНАЛИЗИРАЩ ЗА БЕЗОПАСНОСТ: Означава ОПАСНОСТ, ПРЕДУПРЕЖДЕНИЕ или ВНИМАНИЕ, може да бъде използван във връзка с други символи или пиктограми.

ИНСТРУКЦИИ ЗА БЕЗОПАСНОСТ

Тази страница изобразява и описва символите за безопасност, които може да се появят по този продукт. Прочетете, осъзнайте и следвайте всички инструкции по машината преди предприемане на сглобяване или работа.



Сигнал за безопасност



Отпадъчните електрически продукти не трябва да бъдат изхвърляни заедно с домакинския отпадък. Отнесете го до упълномощено място за рециклиране.



Този продукт е в съответствие с приложимите директиви на ЕС.

IPX4 Защита от водни пръски

кг Килограм

°C Целзий

Па Паскал



За намаляване на опасността от нараняване, потребителят трябва да прочете ръководството на оператора.



Постоянен ток



Оценено съответствие за Великобритания

L Литър

V Волт

л/мин Литър за минута

BG


⚠ ПРЕДУПРЕЖДЕНИЕ: Прочетете и осъзнайте всички инструкции. Неспазването на всички инструкции изброени долу може да доведе до електрически шок, пожар и/или сериозно нараняване.

Този уред не е предназначен за употреба от лица (включително деца) с понижени физически, сетивни или умствени способности, или без опит и познания, освен ако не им е осигурено наблюдение или инструктаж относно употребата на уреда от лице отговорно за тяхната безопасност.

- Децата трябва да бъдат наблюдавани за да се осигури, че не си играят с уреда.
- Не излагайте уреда или батерията на прекомерни температури.
- Имайте предвид риска от късо съединение на изходите на уреда работещ с батерии или батерията от метални предмети.
- Акумулаторните батерии трябва да се извадят от уреда преди зареждане.
- Не трябва да се смесват различни видове батерии или нови и употребявани батерии.
- Изтощените батерии трябва да се извадят от уреда и да се изхвърлят безопасно.
- Ако уредът трябва да се съхранява без употреба продължително време, батериите трябва да бъдат извадени.
- Не използвайте незареждащи се батерии вместо презареждащи се батерии.
- Не използвайте модифицирани или повредени батерии.
- **Използвайте само с посочените акумулаторни батерии и зарядни устройства**

Запазете тези инструкции. Обръщайте се често към тях и ги използвайте за инструктиране на други, които може да използват тази машина. Ако заемете тази машина на някого, вземете им и тези инструкции, за да се предотврати злоупотреба с продукта и евентуално нараняване.

СПЕЦИФИКАЦИИ

Напрежение	56 V 		
Капацитет на резервоара за прах	34 L		
Режим на скоростта	Ниско	Високо	TUR-BO
Макс. Дебит на въздуха (л/мин)	1900	2500	3100
Макс. Смукателна мощност (Па)	10000	15900	24800

BG

Дистанционно управление	Температура на зареждане	0°C - 45°C
	Макс. Напрежение на зареждане	5 V
	Макс. Зареждащо напрежение	1 A
Тегло (без акумулаторна батерия)		12,1 кг
Препоръчителна работна температура		-5°C - 40°C
Препоръчителна температура на съхранение		-20°C – 70°C

ОПАКОВЪЧЕН ЛИСТ (ФИГ. A1 И A2)

ПРЕПОРЪЧИТЕЛНИ АКСЕСОАРИ

⚠ ПРЕДУПРЕЖДЕНИЕ: Използвайте само изброените по-долу аксесоари. Употребата на аксесоари, които не съответстват със спецификациите на стандартното оборудване, могат да доведат до неправилна работа и компрометирана безопасност.

ИМЕ НА ЧАСТ	НОМЕР НА МОДЕЛ
Прахоуловителни торбички (5 бр.)	AVG0905
Филтър за смяна	AVF0900

ОПИСАНИЕ

ЗАПОЗНАЙТЕ СЕ С ПРАХОСМУКАЧКАТА ЗА МОКРО/СУХО ПОЧИСТВАНЕ (Фиг. A1 и A2)

1. Възел на захранващата глава
2. Ръкохватка
3. Отделение за съхранение на аксесоари
4. Ключалка на резервоара за прах (x2)
5. Задно колело (x2)
6. Резервоар за прах
7. Колело със спирачка (x2)

8. Капачка на отвора за източване
9. Дюза за почистване на процепи
10. Входящ отвор за засмукване
11. Операторски панел
12. Прорези за съхранение на маркуча на прахосмукачката
13. Изпускателен отвор за издухване
14. Отделение за временно съхранение на аксесоари
15. Голяма дюза за под + четка
16. Удължителни тръби
17. Бутон за освобождаване на батерията
18. Бутон за самопочистване на филтъра
19. Пробка за самопочистване на филтъра
20. Маркуч на прахосмукачката
21. Бутон за освобождаване на маркуча
22. Регулатор на засмукването
23. Стойка за дистанционно управление
24. Гумена лента
25. Торбичка за прах
26. Кабел за зареждане на дистанционното управление
27. Дистанционно управление
28. Кръгла четка за прах с дюза
29. Компактна дюза за под
30. Адаптер за електрически инструменти
31. Бутон за електрозахранване
32. Старт/стоп бутон
33. Бутон за скоростта
34. Индикатор за скоростта
35. Бутон TURBO
36. Индикатор TURBO
37. Филтър
38. Скоба на филтъра
39. Сензор за течност (x4)
40. Скоба за торбичка за прах
41. Отвор за източване

МОНТАЖ

СВЪРЗВАНЕ/РАЗКАЧВАНЕ НА МАРКУЧА НА ПРАХОСМУКАЧКАТА

За да свържете, вкарайте края на маркуча в отвора за засмукване или в отвора за издухване, докато чуete „щракване“ (Фиг. В1).

За да разкачите маркуча, натиснете и задръжте бутоните за освобождаване на маркуча, за да го извадите (Фиг. В2).

V1-1	Маркуч на прахосмукачката	V1-2	Входящ отвор за засмукване
V1-3	Изпускателен отвор за издухване	V2-1	Бутони за освобождаване на маркуча

СВЪРЗВАНЕ/РАЗКАЧВАНЕ НА УДЪЛЖИТЕЛНИТЕ ТРЪБИ (ФИГ. С)

Свържете една или две удължителни тръби към маркуча на прахосмукачката в зависимост от нуждите си.

За свързване, вкарайте тесния край на удължителната тръба в маркуча на прахосмукачката, доколкото можете, докато удължителната тръба се закрепи на място.

За разкачване, издърпайте удължителната тръба от маркуча на прахосмукачката.

Втората удължителна тръба се свързва към/разкачва от първата тръба по същия начин.

C-1	Маркуч на прахосмукачката	C-2	Тесен край
C-3	Широк край	C-4	Удължителни тръби

МОНТАЖ/ДЕМОНТАЖ НА ДЮЗИТЕ

Изберете подходяща дюза, която да монтирате директно върху маркуча на прахосмукачката или върху удължителната тръба, в зависимост от нуждите си (Фиг. D1)

- За да свържете дюзата към удължителната тръба, вкарайте дюзата в удължителната тръба, доколкото можете, докато се закрепи на място. За да я разкачите, издърпайте дюзата от удължителната тръба.
- За да свържете дюзата директно към маркуча на прахосмукачката, подравнете копчето на дюзата с жлеба на маркуча на прахосмукачката, поставете дюзата в маркуча на прахосмукачката, докато чуete „щракване“. За да разкачите дюзата, натиснете и задръжте бутона за освобождаване, за да извадите дюзата.

D1-1	Бутон за освобождаване	D1-2	Жлеб
D1-3	Удължителни тръби (по избор)	D1-4	Копче
D1-5	Дюза		

Дюза за почистване на процепи (Фиг. D2)

Тъмните участъци могат лесно да се почистят с помощта на дюзата за почистване на процепи в комбинация с вградената светлина на дистанционното управление.

Свържете дюзата за почистване на процепи към маркуча на прахосмукачката и щракнете дистанционното управление върху стойката за дистанционно управление на маркуча на прахосмукачката. Натиснете бутона за осветяване на дистанционното управление и прозрачната дюза за процепи ще светне.

D2-1	Дюза за почистване на процепи	D2-2	Бутон за светлина
D2-3	Дистанционно управление		

Адаптер за електрически инструменти (фиг. D3)

Адаптерът за електрически инструменти позволява прахосмукачката да се свърже към електрически инструмент с 32-милиметров изход за прах.

След като маркучът на прахосмукачката е свързан към входния отвор на прахосмукачката, вкарайте адаптера за електрически инструменти в прахосмукачката, доколкото можете, докато адаптерът за електрически инструменти се закрепил на място, и след това свържете адаптера към изхода за прах на електрическия инструмент.

⚠ ПРЕДУПРЕЖДЕНИЕ: Адаптерът за електрически инструмент не може да бъде свързан към удължителната(ите) тръба(и). Насилственият монтаж може да доведе до повреда на адаптера за електрически инструменти или на удължителната(ите) тръба(и).

D3-1	Електрически инструмент (не е предоставен)	D3-2	Адаптер за електрически инструменти
D3-3	Маркуч на прахосмукачката	D3-4	Входящ отвор за засмукване

Голяма дюза за под + шина с четка/гума (Фиг. D4)

Голямата дюза за под може да се комбинира с шина с четка или гума.

Отворете леко двата края на шината и натиснете краищата надолу, за да извадите шината от дюзата.

За да монтирате шината, вкарайте краищата на шината в отворите на дюзата, докато чуе „щракване“.

D4-1	Голяма дюза за под	D4-2	Отвори на дюзата
D4-3	Шина с гума	D4-4	Краища на шината

МОНТИРАНЕ/ИЗВАЖДАНЕ НА ВЪЗЕЛА НА ЗАХРАНВАЩАТА ГЛАВА

За да го монтирате, натиснете долните части на ключалките на резервоара за прах, спуснете възела на захранващата глава върху резервоара за прах и след това натиснете горните части на ключалките на резервоара за прах (Фиг. E1 и E2).

За да го извадите, натиснете долните части на резервоара за прах, след което повдигнете възела на захранващата глава (Фиг. E3).

МОНТИРАНЕ/ИЗВАЖДАНЕ НА ТОРБИЧКАТА ЗА ПРАХ

- Отключете резервоара за прах и повдигнете възела на захранващата глава.
- За да монтирате,** поставете само пластината на торбичката за прах в прореза на скобата за торбичката за прах, докато пластината падне надолу по ребрата. Разгънете ръчно торбичката за прах, преди да събирате прах или отпадъци (Фиг. F1).

За да извадите, повдигнете леко пластината над ребрата и след това издърпайте пластината от прореза, за да извадите торбичката за прах (Фиг. F2).

F1-1	Скоба за торбичка за прах	F1-2	Прорез
F1-3	Торбичка за прах	F1-4	Пластина
F2-1	Ребра		

ЕКСПЛОАТАЦИЯ

ПРИЛОЖЕНИЕ

Може да използвате този продукт за целите описани долу:

- Засмукване на течни отпадъци или сух прах, когато се използва входният отвор за засмукване.
- Функционира като въздуходувка, когато се използва изпускателният отвор за издухване.

МОНТИРАНЕ/ИЗВАЖДАНЕ НА АКУМУЛАТОРНАТА БАТЕРИЯ

Използвайте единствено акумулаторни батерии EGO и зарядни устройства изброени във Фиг. А3.

Обърнете се към съответните ръководства за батерии и зарядни устройства за повече подробности.

Заредете напълно преди първата употреба.

За да закрепите

Подравнете ребрата на акумулаторната батерия с монтажните прорези и плъзнете батерията в прахосмукачката, докато чуete “щракване” (Фиг. G1).

За да извадите

Натиснете бутон за освобождаване на батерията и издържайте акумулаторната батерия навън (Фиг. G2).

G1-1	Монтажен отвор	G1-2	Ребро
G2-1	Бутон за освобождаване на батерията		

ПУСКАНЕ/СПИРАНЕ НА ПРАХОСМУКАЧКАТА ЗА МОКРО/СУХО ПОЧИСТВАНЕ (ФИГ. Н)

За стартиране на прахосмукачката

1. Уверете се, че възелът на захранващата глава е монтиран върху резервоара за прах и че резервоарът за прах е добре заключен. Уверете се, че маркучът на прахосмукачката, необходимата(ите) удължителна(и) тръба(и) и дюзата са свързани правилно.

БЕЛЕЖКА: Прахосмукачката работи само когато възелът на захранващата глава е сигурно закрепен към резервоара за прах.

2. Монтирайте акумулаторната батерия.
3. Натиснете бутон за захранване, за да включите прахосмукачката.
4. Натиснете бутон за регулиране на скоростта, за да изберете ниска или висока скорост, и след това натиснете бутон за стартиране/спиране, за да стартирате прахосмукачката. Или натиснете бутон TURBO, за да стартирате директно прахосмукачката на максимална скорост.

БЕЛЕЖКА: Скоростта може да се регулира и по време на изсмукването на прах. За повече информация вижте глава „ИЗБОР НА СКОРОСТ“.

За спиране на прахосмукачката

1. След приключване на засмукването на прах или когато резервоарът за прах е пълен, натиснете бутон за стартиране/спиране, за да спрете временно прахосмукачката.
2. Или натиснете бутон за захранване, за да изключите напълно прахосмукачката.
3. Премахнете акумулаторната батерия.
4. Изпразнете резервоара за прах в подходящ съд или канализация.

БЕЛЕЖКА: При рестартиране прахосмукачката ще продължи да работи с предишната активна настройка на обичайната скорост.

Индикатор на бутон за захранване

Индикатор на бутон за захранване	Значение	Действие
Постоянно зелено	В готовност	Не са необходими действия. Прахосмукачката се изключва автоматично след 1 час бездействие
	Машината работи правилно.	Нормална операция.
Мига в зелено 6 пъти, след което се изключва.	Нивото на течността в резервоара достига долния край на сензорите за течност	Спрете прахосмукачката, извадете акумулаторната батерия и изпразнете резервоара, като се съобразите с инструкциите за изпразване.
Непрекъснато мига в зелено	Грешка в електрониката	Свържете се с отдела за обслужване на клиенти на EGO за помощ

ИЗБОР НА СКОРОСТ

Режим на нормална скорост

- При всяко натискане на бутона за регулиране на скоростта се превключва между ниско и високо ниво. Индикаторът на скоростта на въздуха показва зелени светлини, съответстващи на текущите нива на скорост.
- Прахосмукачката ще запази последната настройка на скоростта и ще се върне към нея при рестартиране.

TURBO режим

- Натиснете бутона TURBO, индикаторът TURBO ще светне в зелено и прахосмукачката ще започне да работи директно на скорост TURBO, т.е. на най-високата скорост.
- Когато сте в режим TURBO, натиснете отново бутона TURBO или натиснете бутона за регулиране на скоростта, бутона за стартиране/спиране или бутона за захранване - индикаторът TURBO ще се изключи и прахосмукачката ще излезе от режим TURBO.

БЕЛЕЖКА: След излизане от режим TURBO прахосмукачката ще се върне към предишната активна нормална скорост.

РЕГУЛАТОР НА ЗАСМУКВАНЕТО (Фиг. 1)

При засмукване на прах въздушният поток в края на маркуча на прахосмукачката може да се регулира чрез завъртане на регулатора на засмукването. Завъртете регулатора, за да отворите изхода за въздух, за да намалите засмукването, или завъртете регулатора, за да закриете изхода за въздух, за да увеличите засмукването.

Тази функция е особено полезна, когато маркучът на прахосмукачката е възпрепятстван от килими, кърпи и т.н. По време на засмукване завъртете регулатора, за да отворите изхода за въздух, засмукването ще намалее.

I-1	Регулатор на засмукването	I-2	Изход за въздух
-----	---------------------------	-----	-----------------

ДИСТАНЦИОННО УПРАВЛЕНИЕ

- Дистанционното управление може да бъде поставено върху маркуча на прахосмукачката по време на засмукването на прах (Фиг. J1).
- Когато прахосмукачката е включена, можете да я пуснете/спрете или да я превключите в режим TURBO с помощта на дистанционното управление.

БЕЛЕЖКА: Дистанционното управление не може да превключва между обикновена ниска и висока скорост.

- Дистанционното управление може да се използва и като фенерче за тъмни зони, особено когато използвате дюзата за процепи.

Сдвояване на дистанционното управление (Фиг. J2)

Дистанционното управление е сдвоено с прахосмукачката още в завода. Въпреки това, ако дистанционното управление бъде повредено или изгубено, следвайте следните стъпки, за да свържете новото си дистанционно управление с прахосмукачката.

1. Монтирайте акумулаторната батерия.
2. Натиснете бутона за захранване, за да включите прахосмукачката.
3. Натиснете продължително бутона за пускане/спиране на прахосмукачката, докато индикаторът на бутона за захранване започне да мига бавно в зелено.
4. Натиснете бутона TURBO или бутона за стартиране/спиране на дистанционното управление, веднага щом индикаторът на бутона за захранване започне да мига бавно в зелено.
5. Индикаторът на бутона за захранване ще мига бързо в зелено и след това ще светне постоянно в зелено, за да покаже, че сдвояването е успешно.

Индикатор на дистанционното управление

Индикатор на дистанционното управление	Значение	Действие
Бързо мигане в зелено	Зарядът на батерията на дистанционното управление е почти изчерпан.	Заредете дистанционното управление.
Бавно мигане в зелено	Дистанционното управление се зарежда.	Не е необходимо действие.
Постоянно зелено	Зареждането на дистанционното управление е завършено.	Изключете дистанционното управление и кабела за зареждане от електрическата мрежа.

БЕЛЕЖКА: По време на нормална работа индикаторът на дистанционното управление ще светне един път и след това ще изгасне, когато бутонът TURBO или бутонът за стартиране/спиране се натисне веднъж.

Зареждане на дистанционното управление (Фиг. J3)

Периодично батерията в дистанционното управление трябва да се зарежда.

▲ ПРЕДУПРЕЖДЕНИЕ: За тази акумулаторна литиево-йонна батерия в дистанционното управление, моля, обърнете внимание на следното:

- Опасност от пожар или изгаряния.
 - Не отваряйте, не смачкавайте, не нагрявайте над 60°C и не изгаряйте.
 - Не свързвайте накъсо.
 - Ако се издуе силно, прекратете употребата.
1. Отворете капака на порта USB-C.
 2. Свържете USB-C края на включения кабел за зареждане към USB-C порта на дистанционното управление.
 3. Свържете другия край на кабела за зареждане към съвместим USB адаптер/зарядно устройство (не е включен в комплекта). Зареждането на напълно разредена батерия може да отнеме до 2 часа.
 4. След приключване на зареждането изключете кабела за зареждане и затворете капака на порта USB-C, за да предпазите порта USB-C от замърсяване.

J3-1	Капак на порта USB-C	J3-2	USB-C порт
J3-3	Заряден кабел		

РАБОТА С ПРАХОСМУКАЧКАТА

Работа при мокро почистване

- Не използвайте торбичката за прах по време на работа с мокро почистване.
- Изключете прахосмукачката незабавно, когато резервоарът за прах се напълни. Изпразнете резервоара за прах в подходящ съд или канализация.
- Почиствайте вътрешността на резервоара за прах, филтъра и аксесоарите периодично, по-често, когато се използват за събиране на мокри, лепкави материали.

Работа при сухо почистване

- Уверете се, че филтърът е напълно сух след

мокрото почистване, или използвайте втори сух филтър за сухо почистване. Влажните или мокри филтри се задръстват с прах или плесенясват.

- За да намалите излагането на прах от силикати, използвайте торбичка за прах.
- Изключете прахосмукачката незабавно, когато торбичката за прах или резервоарът за прах са пълни.
- Изпразнете резервоара за прах в подходящ съд или канализация.

Работа на въздуходувката

▲ ПРЕДУПРЕЖДЕНИЕ: Винаги носете предпазни средства за очите, когато използвате тази машина като въздуходувка.

▲ ПРЕДУПРЕЖДЕНИЕ: Не издухвайте запалими или горими материали, като например бензин, и не използвайте на места, където може да има такива материали. Възможно е да възникне пожар.

▲ ПРЕДУПРЕЖДЕНИЕ: Не насочвайте въздушния поток по посока на хора или домашни любимци.

ПОДДРЪЖКА

▲ ПРЕДУПРЕЖДЕНИЕ: За да предотвратите сериозно нараняване, извадете акумулаторната батерия от продукта, преди обслужване, почистване, смяна на приставките или изваждане на материал от устройството.

ОБЩА ПОДДРЪЖКА

Избягвайте употребата на разтворители, когато почиствате пластмасовите части. Повечето пластмасови части са уязвими на повреда от различни видове разтворители в търговската мрежа и може да се повредят от тяхната употреба. Използвайте чиста кърпа за премахване на мръсотия, прах, масло, грес и т.н.

▲ ПРЕДУПРЕЖДЕНИЕ: Никога не допускайте спирателна течност, бензин, петролни продукти, проникващи масла и т.н. да влизат в контакт с пластмасовите части. Химикалите могат да повредят, отслабят или разрушат пластмасата, което може да доведе до сериозно нараняване.

▲ ПРЕДУПРЕЖДЕНИЕ: За да намалите риска от пожар, нараняване и повреда на продукта поради късо съединение, никога не потапяйте вашата машина, акумулаторна батерия или зарядно устройство в течност и не позволявайте течност да влезе в тях. Корозивни или проводими течности, като морска вода,

определени индустриални химикали и белина или продукти, съдържащи белина и др., могат да причинят късо съединение.

ИЗПРАЗВАНЕ НА РЕЗЕРВОАРА ЗА ПРАХ

1. Свалете капачката на отвора за източване, за да изпразните течността в резервоара за прах в подходящ съд или канализация, ако има такива.
2. Извадете възела на хранващата глава от резервоара за прах.
3. Извадете торбичката за прах, ако тя е монтирана.
4. Изчистете резервоара за прах от всички замърсявания или остатъци и го почистете с мек сапун и вода.
5. Оставете резервоара за прах да изсъхне, преди да сглобите отново възела на хранващата глава.

ПОДДРЪЖКА НА ФИЛТЪРА

Система за самопочистване на филтъра

1. Свържете маркуча на прахосмукачката към входящия отвор за засмукване на прахосмукачката и поставете другия край на маркуча върху пробката за самопочистване на филтъра (Фиг. K1).
2. Инсталирайте акумулаторната батерия, натиснете бутона за електрозахранване, за да включите машината.
3. Изберете желанния режим на скорост и натиснете бутона за стартиране/спиране, за да включите машината.
4. Натиснете бутона за самопочистване на филтъра, за да го почистите (Фиг. K2).

СЪВЕТИ: За да постигнете най-добър почистващ ефект, се препоръчва да изберете режим TURBO и да натиснете бутона за самопочистване на филтъра пет пъти и да го задържите за 3 секунди всеки път.

K1-1	Входящ отвор за засмукване	K1-2	Маркуч на прахосмукачката
K1-3	Пробка за самопочистване на филтъра	K2-1	Бутон за самопочистване на филтъра

BG

Измиване на филтъра

Извадете акумулаторната батерия и прегледайте филтъра, като повдигнете възела на хранващата глава. Ако филтърът все още е замърсен след изпълнението на стъпките в раздел „Система за самопочистване на филтъра“, извадете филтъра и го изплакнете в студена вода. Оставете филтъра да изсъхне напълно и го монтирайте отново.

Смяна на филтъра (Фиг. L1 и Фиг. L2)

⚠ ПРЕДУПРЕЖДЕНИЕ: Проверявайте периодично филтъра и го сменяйте, ако е износен или повреден. Използването на повреден филтър може да доведе до изпускане на нежелани замърсители във въздуха от контейнера.

1. Повдигнете възела на хранващата глава и го поставете на една страна (Фиг. L1).
2. Разгънете ръкохватката на скобата на филтъра и издърпайте скобата с филтъра (Фиг. L2).
3. Използвайте влажно парче плат, за да отстраните праха и замърсяванията от областта на филтъра.
4. Монтирайте нов или почистен филтър в скобата.
5. Поставете скобата в областта на филтъра и сгънете ръкохватката.

L1-1	Ръкохватка	L1-2	Скоба на филтъра
------	------------	------	------------------

СЪХРАНЕНИЕ НА ПРАХОСМУКАЧКАТА

1. Извадете акумулаторната батерия от прахосмукачката.
2. Почистете изцяло прахосмукачката преди да я съхраните.
3. Съхранявайте прахосмукачката на сухо, добре проветриво място, заключена или на високо, на недостъпно за деца място. Не съхранявайте прахосмукачката в близост до или върху тор, бензин или други химикали.

ОПАЗВАНЕ НА ОКОЛНАТА СРЕДА



Не изхвърляйте електрическо оборудване, използвана батерия или зарядно устройство в домакинския отпадък! Отнесете продукта до упълномощена фирма за рециклиране и го предоставете за отделно събиране. Електрическите инструменти трябва да бъдат връщани в съоръжения за рециклиране съвместими с околната среда.

ОТСТРАНЯВАНЕ НА ПРОБЛЕМИ

ПРОБЛЕМ	ПРИЧИНА	РЕШЕНИЕ
Праховсмукачката не може да се задейства.	<ul style="list-style-type: none"> ■ Нивото на зареждане на акумулаторната батерия е ниско. ■ Акумулаторната батерия не е монтирана правилно. 	<ul style="list-style-type: none"> ■ Заредете акумулаторната батерия. ■ Плъзнете акумулаторната батерия в праховсмукачката, докато щракне на място.
Мощността на засмукване е слаба	<ul style="list-style-type: none"> ■ Има запушване на маркуча на праховсмукачката или на входа за засмукване. ■ Филтърът е задръстен от фин прах. ■ Резервоарът за прах е пълен. ■ Нивото на зареждане на акумулаторната батерия е ниско. ■ Капачката на отвора за източване е отстранена от резервоара за прах. 	<ul style="list-style-type: none"> ■ Проверете и отстранете запушването на маркуча на праховсмукачката или на входа за засмукване. ■ Почистете филтъра, като следвате раздел "ПОДДРЪЖКА НА ФИЛТЪРА" в това ръководство. ■ Изпразнете резервоара за прах. ■ Заредете акумулаторната батерия ■ Монтирайте капачката на отвора за източване към резервоара за прах.
Машината работи, но няма засмукване.	<ul style="list-style-type: none"> ■ Възелът на захранващата глава не е монтиран напълно върху резервоара за прах. 	<ul style="list-style-type: none"> ■ Уверете се, че възелът на захранващата глава е монтиран напълно върху резервоара за прах.
Прахът излиза от изпускателния отвор за издухване.	<ul style="list-style-type: none"> ■ Филтърът липсва или е монтиран неправилно. ■ Филтърът е повреден. 	<ul style="list-style-type: none"> ■ Проверете правилния монтаж на филтъра. ■ Заменете го с нов филтър.
Праховсмукачката не може да се управлява чрез дистанционното управление.	<ul style="list-style-type: none"> ■ Дистанционното управление не е сдвоено с праховсмукачката. ■ Зареждането на дистанционното управление е слабо. ■ Дистанционното управление е повредено. 	<ul style="list-style-type: none"> ■ Сдвоете дистанционното управление с праховсмукачката, като следвате глава "Сдвояване на дистанционното управление" в това ръководство. ■ Заредете дистанционното управление. ■ Използвайте ново дистанционно управление и извършете сдвояване на дистанционното управление.

ГАРАНЦИЯ

ГАРАНЦИОННА ПОЛИТИКА EGO

Моля, посетете уебсайта egopowerplus.eu за пълните срокове и условия по гаранционната политика на EGO.

BG

PROČITAJTE UPUTE U CIJELOSTI!



PROČITAJTE KORISNIČKI PRIRUČNIK

▲ UPOZORENJE: Radi sigurnosti i pouzdanosti, sve popravke treba obavljati kvalificirani servisni tehničar.

SIGURNOSNI SIMBOLI

Svrha simbola o sigurnosti je skretanje pozornosti na moguće opasnosti. Simboli sigurnosti i njihova objašnjenja zahtijevaju vašu potpunu pozornost i razumijevanje. Simboli upozorenja ne isključuju opasnost sami po sebi. Upute i upozorenja koja pružaju nisu zamjena za propisne mjere za prevenciju nesreća.

▲ UPOZORENJE: Prije upotrebe stroja pročitajte s razumijevanjem sve upute u ovom korisničkom priručniku, uključujući sve sigurnosne simbole kao što su „**OPASNOST**“, „**UPOZORENJE**“ i „**OPREZ**“. Zanemarivanje uputa navedenih u nastavku može rezultirati strujnim udarom, požarom i/ili teškim tjelesnim ozljedama.

ZNAČENJE SIMBOLA

▲ SIMBOL UPOZORENJA U VEZI SIGURNOSTI: Naznačuje **OPASNOST**, **UPOZORENJE** ili **OPREZ** i može se upotrebljavati povezan s drugim simbolima ili piktogramima.

SIGURNOSNE NAPOMENE

Na ovoj stranici slikovno su prikazani i objašnjeni simboli sigurnosti koji se mogu pojaviti na ovom proizvodu. Prije sastavljanja i rukovanja s razumijevanjem pročitajte sve upute na stroju i pridržavajte ih se.



Upozorenje u vezi sigurnosti



Radi smanjenja opasnosti od ozljeda korisnik treba pročitati korisnički priručnik.



Otpadni električni proizvodi ne smiju se odlagati s otpadom iz kućanstva. Odnosite ih u ovlašten centar za reciklažu.



Istosmjerna struja



Ovaj proizvod je u skladu s važećim direktivama EU.



Ispitana sukladnost u Velikoj Britaniji

IPX4 Zaštita od prskanja vode

L Litre

kg Kilogram

V Volt

°C Celzij

L/min Litara u minuti

HR

Pa Pascal

▲ UPOZORENJE: S razumijevanjem pročitajte sve upute. Zanemarivanje uputa navedenih u nastavku može rezultirati strujnim udarom, požarom i/ili teškim tjelesnim ozljedama.

Ovaj uređaj nije predviđen da ga upotrebljavaju osobe (uključujući djecu) ograničenih tjelesnih, osjetilnih ili mentalnih sposobnosti ili nedostatnog iskustva i znanja, osim ako ih nadzire osoba odgovorna za njihovu sigurnost ili ako ih je uputila u način upotrebe uređaja.

- Djeca moraju biti pod nadzorom kako se ne bi igrala uređajem.
- Ne izvrgavajte uređaj ili bateriju previsokim temperaturama.
- Imajte na umu opasnost od kratkog spoja priključaka baterijskog uređaja ili baterija metalnim predmetima.
- Punjive baterije moraju se izvaditi iz uređaja prije punjenja.
- Ne smiju se zajedno koristiti različite vrste baterija ili nove i rabljene baterije.
- Ispražnjene baterije treba izvaditi iz uređaja i sigurno zbrinuti.
- Ako se uređaj treba uskladištiti i neće se upotrebljavati duže vrijeme, baterije se moraju ukloniti.
- Ne koristite baterije koje se ne mogu puniti umjesto punjivih baterija.
- Ne koristite preinačene ili oštećene baterije.
- **Upotrebljavajte isključivo preporučene baterijske module i punjače**

Sačuvajte ove upute. Uputama se koristite često i upotrebljavajte ih za upućivanje drugih osoba koje mogu upotrebljavati ovaj stroj. Ako ovaj stroj nekom posudite, posudite i ove upute radi sprečavanja neispravnog korištenja proizvoda i mogućih ozljeda.

TEHNIČKI PODACI

Napon	56 V		
Volumen spremnika za prašinu	34 litre		
Način rada brzine	Niska	Visoka	TURBO
Maksimalni protok zraka (l/min)	1900	2500	3100
Maksimalni usisni tlak (Pa)	10000	15900	24800

Daljinsko upravljanje	Temperatura punjenja	0°C - 45°C
	Maksimalni napon punjenja	5 V
	Maksimalna struja punjenja	1 A
Masa (bez baterijskog modula)		12,1 kg
Preporučena radna temperatura		-5°C - 40°C
Preporučena temperatura skladištenja		-20°C - 70°C

OTPREMNICA (SL. A1 I A2)

PREPORUČENA DODATNA OPREMA

⚠ UPOZORENJE: Koristite samo dodatnu opremu navedenu u nastavku. Korištenje dodatne opreme koja nije u skladu s tehničkim podacima za izvornu opremu može rezultirati nepravilnim radom i smanjenom sigurnošću.

NAZIV DIJELA	BRJOD MODELA
Vrećice za prašinu (5 kom)	AVG0905
Zamjenski filtar	AVF0900

OPIS

UPOZNAJTE SVOJ MOKRI/SUHI USISIVAČ ZA PRAŠINU (SI. A1 I A2)

1. Sklop pogonske glave
2. Ručka
3. Pretinac za čuvanje dodatne opreme
4. Zasun spremnika za prašinu (x2)
5. Stražnji kotač (x2)
6. Spremnik za prašinu
7. Kotačić s kočnicom (x2)
8. Čep odvodnog priključka
9. Mlaznica za uska mjesta
10. Ulazni priključak za usis
11. Upravljačka ploča

12. Utori za čuvanje crijeva usisivača
13. Priključak za ispuh zraka
14. Privremeno čuvanje dodatnog pribora
15. Velika podna mlaznica + šipka s četkom
16. Produžne cijevi
17. Gumb za oslobađanje baterije
18. Gumb za samočišćenje filtra
19. Čep za samočišćenje filtra
20. Crijevo usisivača
21. Gumb za oslobađanje crijeva
22. Regulator usisavanja
23. Nosač za daljinski upravljača
24. Gumena traka
25. Vrećica za prašinu
26. Kabel za punjenje daljinskog upravljača
27. Daljinsko upravljanje
28. Okrugla mlaznica s četkom za prašinu
29. Kompaktna podna mlaznica
30. Adapter za električni alat
31. Gumb napajanja
32. Tipka Start/Stop
33. Gumb za brzinu
34. Indikator brzine
35. TURBO gumb
36. TURBO Indikator
37. Filtar
38. Nosač filtra
39. Senzor tekućine (x4)
40. Nosač vrećice za prašinu
41. Odvodni priključak

SASTAVLJANJE

SPAJANJE/ODVAJANJE CRIJEVA USISIVAČA

Za spajanje, gurnite kraj crijeva u otvor za usis ili u izlazni priključak dok ne začujete „klik“ (Sl. B1).

Za odvajanje pritisnite i držite gumb za otpuštanje crijeva kako biste uklonili crijevo (slika B2).

B1-1	Crijevo usisivača	B1-2	Ulazni priključak za usis
B1-3	Priključak za ispuh zraka	B2-1	Gumbi za oslobađanje crijeva

SPAJANJE/ODVAJANJE PRODUŽNIH CIJEVI (SL. C)

Spojite jednu ili dvije produžne cijevi na vakuumsko crijevo prema vašim potrebama.

Za spajanje gurnite uski kraj produžne cijevi u crijevo usisivača koliko god možete dok produžna cijev ne bude pričvršćena na svom mjestu.

Za odvajanje izvucite produžnu cijev iz crijeva usisivača.

Druga produžna cijev spaja se na prvu cijev /odvaja se od prve cijevi na isti način.

C-1	Crijevo usisivača	C-2	Uski kraj
C-3	Široki kraj	C-4	Produžne cijevi

POSTAVLJANJE/UKLANJANJE MLAZNICA

Odaberite odgovarajuću mlaznicu za ugradnju na vakuumsko crijevo izravno ili na produžnu cijev prema vašim potrebama (slika D1)

- Da biste spojili mlaznicu na produžnu cijev, gurnite mlaznicu u produžnu cijev koliko god možete dok se ne učvrsti na mjestu. Za odvajanje izvucite mlaznicu iz produžne cijevi.
- Za izravno spajanje crijeva usisivača, poravnajte gumb na mlaznici s otvorom u crijevu usisivača, gurnite mlaznicu u crijevo usisivača dok ne čujete „klik“. Za odvajanje pritisnite i držite gumb za otpuštanje mlaznice.

D1-1	Gumb za otpuštanje	D1-2	Žlijeb
D1-3	Produžne cijevi (opcionarno)	D1-4	Izbočenje
D1-5	Mlaznica		

Mlaznica za usla mjesta (sl. D2)

Tamna područja mogu se lako očistiti kada se koristi mlaznica za uska mjesta u kombinaciji s ugrađenim svjetlom daljinskog upravljača.

Spojite mlaznicu za uska mjesta na crijevo usisivača i pričvrstite daljinski upravljač na nosač daljinskog upravljača na crijevu usisivača. Pritisnite gumb za svjetlo na daljinskom upravljaču i zasvijetlit će prozirna mlaznica za uska mjesta.

D2-1	Mlaznica za uska mjesta	D2-2	Gumb LED svjetla
D2-3	Daljinsko upravljanje		

Prilagodnik za električni alat (slika D3)

Adapter za električni alat omogućuje spajanje usisivača na električni alat s izlazom za prašinu od 32 mm.

S crijevom usisivača spojenim na usisni ulazni otvor usisivača, umetnite adapter za električni alat u usisivač koliko god možete dok se adapter za električni alat ne učvrsti na mjestu, a zatim spojite adapter na izlaz za prašinu električnog alata.

⚠ UPOZORENJE: Prilagodnik za električni alat ne može se spojiti na produžne cijevi. Forsiranjem montaže može se oštetiti prilagodnik za električni alat ili produžne cijevi.

D3-1	Električni alat (nije isporučen)	D3-2	Adapter za električni alat
D3-3	Crijevo usisivača	D3-4	Ulazni priključak za usis

Velika podna mlaznica + šipka s četkom / gumena šipka (slika D4)

Velika podna mlaznica može se kombinirati sa šipkom četke ili gumenom šipkom.

Lagano otvorite oba kraja šipke i utisnite krajeve prema dolje kako biste uklonili šipku iz mlaznice.

Ako želite montirati šipku, gurnite krajeve šipke u rupe mlaznice dok ne čujete „klik“.

D4-1	Velika podna mlaznica	D4-2	Rupe mlaznice
D4-3	Gumena traka	D4-4	Krajevi trake

MONTIRANJE/UKLANJANJE SKLOPA POGONSKE JEDINICE

Za ugradnju gurnite donje dijelove zasuna spremnika za prašinu, spustite sklop pogonske glave na spremnik za prašinu, a zatim gurnite gornje dijelove zasuna spremnika za prašinu (Slika E1 i E2).

Da biste uklonili, gurnite donje dijelove spremnika za prašinu, a zatim podignite sklop pogonske glave (slika E3).

UGRADNJA/UKLANJANJE VREĆICE ZA PRAŠINU

- Otključajte spremnik za prašinu i podignite sklop pogonske glave.
- Za ugradnju** umetnite samo ploču vrećice za prašinu u utor nosača vrećice za prašinu dok ploča ne padne niz rebra. Rukom rasklopite vrećicu za prašinu prije sakupljanja prašine ili krotina (slika F1).

Pri uklanjanju, lagano podignite ploču iznad rebara, a zatim izvucite ploču iz utora kako biste uklonili vrećicu za prašinu (slika F2).

F1-1	Nosač vrećice za prašinu	F1-2	Utor
F1-3	Vrećica za prašinu	F1-4	Ploča
F2-1	Izbočenja		

RAD

PRIMJENA

Proizvod možete koristiti za svrhe navedene u nastavku:

- Usisavanje tekućeg otpada ili suhe prašine kada se koristi usisni ulazni priključak.
- Radi kao puhalo kada se koristi izlazni priključak za puhanje.

POSTAVLJANJE I UKLANJANJE BATERIJSKOG MODULA

Upotrebljavajte samo s baterijskim modulima i punjačima tvrtke EGO navedenima na slici A3.

Više pojedinosti potražite u odgovarajućim priručnicima za baterijske module i punjače.

Baterijski modul potpuno napunite prije prve upotrebe.

Postavljanje

Poravnajte izbočenja baterije s montažnim utorima i natiskujte baterijski na usisivač dolje dok ne začujete klik (sl. G1).

Uklanjanje

Pritisnite gumb za oslobađanje baterije i izvucite baterijski modul (sl. G2).

G1-1	Utor za ugradnju	G1-2	Izbočenja
G2-1	Gumb za oslobađanje baterije		

POKRETANJE/ZAUSTAVLJANJE USISIVAČA ZA VLAŽNO/ SUHO USISAVANJE (SL. H)

Pokretanje usisivača

- Provjerite je li sklop pogonske glave montiran na spremnik za prašinu i je li spremnik za prašinu sigurno zaključan. Provjerite jesu li crijevo usisivača, potrebne produžne cijevi i mlaznice ispravno spojeni.

NAPOMENA: Usisivač radi samo kada je sklop pogonske glave sigurno pričvršćen na spremnik za prašinu.

2. Stavite komplet baterija.
3. Pritisnite gumb za uključivanje za uključivanje usisivača.
4. Pritisnite gumb za podešavanje brzine da biste odabrali malu brzinu ili veliku brzinu, a zatim pritisnite gumb za pokretanje/zaustavljanje da biste pokrenuli usisivač. Ili pritisnite tipku TURBO za izravno pokretanje usisivača pri maksimalnoj brzini.

NAPOMENA: Brzina se također može podesiti tijekom usisavanja. Više informacija potražite u poglavlju "ODABIR BRZINE".

Zaustavljanje rada usisivača

1. Nakon završetka usisavanja ili kada je spremnik za prašinu pun, pritisnite gumb za pokretanje/ zaustavljanje kako biste privremeno zaustavili rad usisivača.
2. Ili pritisnite gumb za uključivanje da biste potpuno isključili usisivač.
3. Uklonite baterijski modul.
4. Ispraznite spremnik za prašinu u prikladnu posudu ili odvod.

NAPOMENA: Usisivač će nastaviti prethodno aktivnu postavku redovite brzine prilikom ponovnog pokretanja.

Indikator gumba napajanja

Indikator gumba napajanja	Značenje	Radnja
Stalno svijetli zeleno	Pripravnost	Nisu potrebne nikakve radnje. Usisivač će se automatski isključiti nakon 1 sata neaktivnosti
	Stroj radi ispravno.	Normalan rad.
Trepće zeleno 6 puta, a zatim se isključuje.	Razina tekućine u spremniku doseže donji vrh tekućih senzora	Zaustavite rad usisivača, izvadite bateriju, a zatim ispraznite spremnik prateći na upute za pražnjenje.
Stalno trepće zeleno	Pogreška elektronike	Za pomoć se obratite službi za korisnike EGO

ODABIR BRZINE

Način brzine noža

- Svaki put kada pritisnete gumb za podešavanje brzine, brzina će se prebacivati između niske razine i visoke razine. Indikator brzine prikazuje zelena svjetla koja odgovaraju trenutnom razinom brzine.
- Usisivač će spremiti posljednju postavku brzine i vratiti će se na nju nakon ponovnog pokretanja.

TURBO način rada

- Pritisnite gumb TURBO, indikator TURBO svijetlit će zeleno i ventilator će se prebaciti u način rada "TURBO", tj. na najveću brzinu zraka.
- Kada ste u TURBO načinu rada, ponovno pritisnite tipku TURBO ili pritisnite gumb za podešavanje brzine, gumb za pokretanje/zaustavljanje ili gumb za uključivanje - TURBO indikator će se isključiti i vakuum će izaći iz TURBO načina rada.

NAPOMENA: Nakon izlaska iz TURBO načina rada, usisivač će nastaviti s prethodno aktivnom redovitom brzinom.

REGULATOR USISAVANJA (SI. I)

Prilikom usisavanja, protok zraka na kraju crijeva usisivača može se kontrolirati okretanjem regulatora usisavanja. Okrenite regulator kako biste otvorili izlaz zraka kako biste smanjili usisavanje ili okrenite regulator kako biste pokrili izlaz zraka kako biste povećali usisavanje.

Ova značajka je posebno korisna kada je crijevo usisivača zatvoreno tepisima, krpama itd. Tijekom usisavanja, okrenite regulator kako biste otvorili izlaz za zrak, usisavanje će se smanjiti.

I-1	Regulator usisavanja	I-2	Izlaz zraka
-----	----------------------	-----	-------------

DALJINSKI UPRAVLJAČ

- Daljinski upravljač može se postaviti na crijevo usisivača za vrijeme usisavanja (slika J1).
- Kada je usisivač uključen, možete pokrenuti / zaustaviti usisavanje ili prebaciti stroj u TURBO način rada pomoću daljinskog upravljača.

NAPOMENA: Daljinski upravljač ne može se prebacivati između uobičajene male ili velike brzine.

- Daljinski upravljač može se koristiti i kao svjetiljka na tamnim područjima, osobito kada se koristi mlaznica za uska mjesta.

Uparivanje daljinskog upravljača (slika J2)

Daljinski upravljač je uparen s usisivačem u tvornici. Međutim, u slučajevima kada je daljinski upravljač oštećen ili izgubljen, slijedite korake u nastavku da biste uparili novi daljinski upravljač s usisivačem.

1. Stavite komplet baterija.
2. Pritisnite gumb za uključivanje za uključivanje usisivača.
3. Dugo pritisnite gumb za pokretanje/zaustavljanje na usisivaču dok indikator gumba za uključivanje ne zatrepće polagano zeleno.
4. Pritisnite gumb TURBO ili gumb za pokretanje/zaustavljanje na daljinskom upravljaču čim indikator gumba za uključivanje počne treperiti zeleno usporavanje.
5. Indikator gumba za uključivanje brzo će treptati zeleno, a zatim svijetliti potpuno zeleno kako bi naznačio da je uparivanje bilo uspješno.

Pokazivač daljinskog upravljanja

Pokazivač daljinskog upravljanja	Značenje	Radnja
Trepće brzo zeleno	Baterija daljinskog upravljača gotovo je iscrpljena.	Napunite daljinski upravljač.
Trepće polako zeleno	Daljinski upravljač se puni.	Ne morate učiniti ništa.
Stalno svijetli zeleno	Punjenje daljinskog upravljača je završeno.	Odvojite daljinski upravljač i kabel za punjenje iz napajanja.

NAPOMENA: Tijekom normalnog rada, indikator daljinskog upravljača svijetlit će jednom, a zatim će se isključiti kada se jednom pritisne tipka TURBO ili gumb za pokretanje/zaustavljanje.

Punjenje daljinskog upravljača (slika J3)

Baterija unutar daljinskog upravljača mora se redovito puniti.

⚠ UPOZORENJE: Za ovu punjivu Li-ion bateriju unutar daljinskog upravljača imajte na umu sljedeće:

- Opasnost od požara i opekline.
- Ne otvarajte, ne gnječite i ne zagrijavajte iznad 60 °C i ne spaljujte.

- Ne smijete izazvati kratki spoj na bateriji.
 - Ako se ozbiljno ispušči, prekinite uporabu.
1. Otvorite poklopac USB-C priključka.
 2. Spojite USB-C kraj priloženog kabela za punjenje na USB-C priključak u daljinskom upravljaču.
 3. Spojite drugi kraj kabela za punjenje na kompatibilni USB prilagodnik/punjač za napajanje (nije dio isporuke). Punjenje potpuno ispražnjene baterije može potrajati do 2 sata.
 4. Kada završite s punjenjem, odvojite kabel za punjenje i zatvorite poklopac USB-C priključka kako biste zaštitili USB-C priključak od onečišćenja.

J3-1	Poklopac USB-C priključka	J3-2	USB-C priključak
J3-3	Kabel za punjenje		

RAD S USISIVAČEM

Mokro usisavanje

- Ne koristite vrećicu za prašinu tijekom mokrog usisavanja.
- Isključite usisivač čim se spremnik za prašinu pun napuni. Ispraznite spremnik za prašinu u prikladnu posudu ili odvod.
- Redovito čistite unutrašnjost spremnika za prašinu, filtra i pribora, češće kada se koristi za skupljanje mokrih, ljepljivih materijala.

Suhu usisavanje

- Provjerite je li filter potpuno suh nakon mokrog usisavanja ili upotrijebite drugi suhi filter za suhu usisavanje. Vlažni ili mokri filteri začepit će se prašinom ili postati pljesnivi.
- Da biste smanjili izloženost prašini silicijevog dioksida, koristite vrećicu za prašinu.
- Isključite usisivač čim se vrećica za prašinu ili spremnik za prašinu napuni.
- Ispraznite spremnik za prašinu u prikladnu posudu ili odvod.

Rad puhala

⚠ UPOZORENJE: Nosite zaštitu za oči kada upotrebljavate ovaj stroj kao puhalo.

⚠ UPOZORENJE: Nemojte otpuhivati gorive ili zapaljive materijale, kao što je benzin, niti ih nemojte koristiti u područjima gdje takvi materijali mogu biti prisutni. Moglo bi doći do požara.

⚠ UPOZORENJE: Ne usmjeravajte strujanje zraka u smjeru ljudi ili kućnih ljubimaca.

ODRŽAVANJE

⚠ UPOZORENJE: Da ne bi došlo do teške tjelesne ozljede, prije servisiranja, čišćenja, promjene priključaka ili uklanjanja materijala iz uređaja izvadite baterijski modul iz proizvoda.

OPĆE ODRŽAVANJE

Pri čišćenju plastičnih dijelova, izbjegavajte upotrebu otapala. Većina plastičnih materijala podložna je oštećenju od različitih vrsta komercijalnih otapala i mogu se oštetiti u slučaju njihove upotrebe. Za uklanjanje nečistoće, prašine, ulja, masti i sl. upotrijebite čistu krpu.

⚠ UPOZORENJE: Nemojte dopustiti da kočione tekućine, benzin, proizvodi na bazi nafte, prodorna ulja i sl., dođu u doticaj s plastičnim dijelovima. Kemijska sredstva mogu oštetiti, oslabiti ili uništiti plastiku što može rezultirati teškim tjelesnim ozljedama.

⚠ UPOZORENJE: Kako biste smanjili rizik od požara, tjelesnih ozljeda i oštećenja proizvoda uslijed kratkog spoja, ne uranjajte stroj, baterijski modul ili punjač u tekućinu niti dopustite da tekućina teče unutar njih. Korozivne ili vodljive tekućine, poput morske vode, određene industrijske kemikalije i izbjeljivač ili proizvodi koji sadrže izbjeljivač itd., mogu uzrokovati kratki spoj.

PRAŽNENJE SPREMNIKA ZA PRAŠINU

1. Uklonite čep odvodnog priključka kako biste ispraznili tekućinu u spremniku za prašinu u prikladnu posudu ili u odvod, ako je dostupna.
2. Uklonite sklop pogonske glave iz spremnika za prašinu.
3. Uklonite vrećicu za prašinu ako je vrećica za prašinu postavljena.
4. Očistite svu prljavštinu ili ostatke iz spremnika za prašinu i očistite blagim sapunom i vodom.
5. Ostavite spremnik za prašinu da se osuši prije ponovnog sastavljanja sklopa pogonske glave napajanja.

HR

ODRŽAVANJE FILTRA

Sustav za samočišćenje filtra

1. Spojite crijevo usisivača na usisni ulazni otvor usisivača i postavite drugi kraj crijeva na utikač za samočišćenje filtra (slika K1).
2. Ugradite bateriju, pritisnite gumb za uključivanje da biste uključili stroj.

3. Odaberite željeni način rada za brzinu i pritisnite gumb za pokretanje/zaustavljanje za uključivanje stroja.
4. Pritisnite gumb za samočišćenje filtra kako biste očistili filter (slika K2).

SAVJETI: Najbolji učinak čišćenja postiže se kada odaberete TURBO način rada i pritisnete gumb za samočišćenje filtra pet puta i svaki put ga zadržite 3 sekunde.

K1-1	Ulazni priključak za usis	K1-2	Crijevo usisivača
K1-3	Utikač filtra za samočišćenje	K2-1	Gumb za samočišćenje filtra

Pranje filtra

Uklonite baterijski modul i pregledajte filter podizanjem sklopa pogonske glave. Ako je filter još uvijek prljav nakon provedbe postupka u odjeljku "Sustav za samočišćenje filtra", uklonite filter i isperite ga hladnom vodom. Ostavite da se filter potpuno osuši i ponovno ga ugradite.

Zamjena filtra (slika L1 i slika L2)

⚠ UPOZORENJE: Redovito provjerite filter i zamijenite ga ako je istrošen ili oštećen. Upotreba oštećenog filtra može dovesti do oslobađanja neželjenih onečišćenja u zraku iz spremnika.

1. Podignite sklop pogonske glave i stavite ga na jednu stranu (slika L1).
2. Rasklopite ručku nosača filtra i izvucite nosač s filtrom prema van (slika L2).
3. Vlažnim komadom tkanine uklonite prašinu i ostatke iz područja oko filtra.
4. Ugradite novi ili očišćeni filter u nosač.
5. Postavite nosač u područje filtra i sklopite ručku.

L1-1	Ručka	L1-2	Nosač filtra
------	-------	------	--------------

ČUVANJE USISIVAČA

1. izvadite baterijski modul iz usisivača
2. Prije skladištenja dobro očistite usisivač.
3. Usisivač čuvajte na suhom, dobro prozračenom mjestu koje je moguće zaključati ili koje je na visini izvan dohvata djece. Usisivač nemojte čuvati na ili u blizini gnojiva, benzina ili drugih kemijskih tvari.

ZAŠTITA OKOLIŠA

Električnu opremu, iskorištenu bateriju i punjač ne odlažite u otpad iz kućanstva! Ovaj proizvod odnesite u ovlašteni centar za reciklažu i time omogućite odvojeno sakupljanje. Električne alate potrebno je vratiti u ekološki prihvatljiv pogon za reciklažu.

RJEŠAVANJE PROBLEMA

PROBLEM	UZROK	RJEŠENJE
Usisivač se ne uspijeva pokrenuti.	<ul style="list-style-type: none"> ■ Razina napunjenosti baterijskog modula je niska. ■ Baterijski modul nije ispravno postavljen. 	<ul style="list-style-type: none"> ■ Napunite baterijski modul. ■ Navucite baterijski modul na usisivač tako da sjedne na mjesto.
Snaga usisivača je mala	<ul style="list-style-type: none"> ■ Postoji začepljenje u crijevu usisivača ili u usisnom ulazu. ■ Filtar je začepljen finom prašinom. ■ Spremnik za prašinu je pun. ■ Razina napunjenosti baterijskog modula je niska. ■ Čep odvodnog priključka uklonjen je iz spremnika za prašinu. 	<ul style="list-style-type: none"> ■ Provjerite i otklonite začepljenje u crijevu usisivača ili usisnom ulazu. ■ Očistite filtari u skladu s odjeljkom "ODRŽAVANJE FILTRA" u ovom priručniku. ■ Ispraznite spremnik za prašinu. ■ Napunite baterijski modul ■ Ugradite čep odvodnog priključka na spremnik za prašinu.
Stroj radi, ali nema usisavanja.	<ul style="list-style-type: none"> ■ Sklop pogonske glave nije u potpunosti ugrađen na spremnik za prašinu. 	<ul style="list-style-type: none"> ■ Provjerite je li sklop pogonske glave u potpunosti ugrađen na spremnik za prašinu.
Prašina izlazi iz izlaznog priključka za puhanje.	<ul style="list-style-type: none"> ■ Filtar nedostaje ili je nepropisno ugrađen. ■ Filtar je oštećen. 	<ul style="list-style-type: none"> ■ Provjerite je li filtari propisno ugrađen. ■ Zamijenite ga novim filtrom.
Usisivačem se ne može upravljati putem daljinskog upravljača.	<ul style="list-style-type: none"> ■ Daljinski upravljač nije uparen s usisivačem. ■ Napunjenost daljinskog upravljača je niska. ■ Daljinski upravljač je oštećen. 	<ul style="list-style-type: none"> ■ Uparite daljinski upravljač s usisivačem na temelju poglavlja "Uparivanje daljinskog upravljača" u ovom priručniku. ■ Napunite daljinski upravljač. ■ Novim daljinskim upravljačem izvršite uparivanje daljinskog upravljača.

JAMSTVO

PRAVILA U VEZI JAMSTVA TVRTKE EGO

HR

Cjelokupne uvjete i odredbe pravila jamstva tvrtke EGO potražite na web-mjestu egopowerplus.eu.

სრულად გაეცანით ინსტრუქციას!



გაეცანით მომხმარებლის სახელმძღვანელოს

⚠ გაფრთხილება: უსაფრთხოებისა და საიმედოობის უზრუნველსაყოფად, ყველა სახის შეკეთება უნდა ჩატარდეს ტექ. მომსახურების კვალიფიციური სპეციალისტის მიერ.

გამათრთხილებელი ნიშნები

უსაფრთხოების სიმბოლოების დანიშნულებას წარმოადგენს თქვენი ყურადღების მიპყრობა შესაძლო საფრთხეებზე. ყურადღებით გაეცანით უსაფრთხოების სიმბოლოებს და მათ შესაბამის განმარტებებს. საშიშროების აღმნიშვნელი სიმბოლოები თავისთავად არ ანიტრალაებს რაიმე საფრთხის არსებობის რისკს. მათ მიერ მოწოდებული მითითებები და გაფრთხილებები არ არიან შემთხვევის თავიდან აცილების სწორი პროცედურის შემცველები.

⚠ გაფრთხილება: მოწყობილობის გამოყენებამდე წაიკითხეთ და გაეცანით უსაფრთხოების ყველა წესს, მათ შორის ყველა გამაფრთხილებელი ნიშანს, როგორცაა „საშიშროება“, „გაფრთხილება“ და „სიფრთხილის ზომები“, რომელიც მოცემულია ოპერატორის ამ სახელმძღვანელოში. ქვემოთ ჩამოთვლილი მითითებების შეუსრულებლობამ შეიძლება გამოიწვიოს დენის დარტყმა, ხანძარი და/ან სხეულის სერიოზული დაზიანება.

სიმბოლოების მნიშვნელობა

⚠ უსაფრთხოების გამაფრთხილებელი სიმბოლო: აღნიშნავს - „საშიშროება“, „გაფრთხილება“ ან „ყურადღება“, შესაძლოა გამოყენებულ იქნას სხვა სიმბოლოებთან ან პიქტოგრამებთან ერთად.

უსაფრთხოების ინსტრუქციები

ამ გვერდზე გამოსახულია და აღწერილია უსაფრთხოების სიმბოლოები, რომლებიც შეიძლება გამოჩნდეს მოცემულ პროდუქტზე. წაიკითხეთ, გაიგეთ და დაიცავით აპარატის ყველა ინსტრუქცია აწყობისა და ექსპლუატაციის დაწყებამდე.



გამაფრთხილებელი ნიშანი



დაზიანების რისკის შესამცირებლად მომხმარებელმა უნდა წაიკითხოს მომხმარებლის სახელმძღვანელო.



ელექტრო ხელსაწყოს ნარჩენები არ გადაყარეთ საყოფაცხოვრებო ნარჩენებთან ერთად. წაიღეთ ხელსაწყო ნარჩენების ავტორიზებულ გადამამუშავებელთან.



მუდმივი დენი



მოწყობილობა შეესაბამება EC-ის მოქმედ რეგულაციებს.



გავლილი აქვს დიდი ბრიტანეთის შესაბამისობის შეფასება

IPX4

დაცვა წყლის მცირე ოდენობით გადასხმის შემთხვევაში

ლ

ლიტრი

38

კილოგრამი

3

ვოლტი

°C

ცელსიუსი

ლ/წთ

ლიტრი წუთში

35

პასკალი

KA

⚠ გაფრთხილება: დაწვრილებით გაეცანით და შეისწავლეთ ყველა ინსტრუქცია. ქვემოთ ჩამოთვლილი ყველა ინსტრუქციის უგულვებელყოფამ შესაძლოა გამოიწვიოს ელექტრო შოკი, ხანძარი და/ან მოგაყენოთ სერიოზული ზიანი.


მოწყობილობა არ არის განკუთვნილი იმისათვის, რომ შეზღუდული ფიზიკური, სენსორული ან მენტალური შესაძლებლობის მქონე პირებმა (ბავშვების ჩათვლით), ან ცოდნისა და გამოცდილების არმქონე პირებმა ისარგებლონ მისით, გარდა იმ შემთხვევებისა, როცა ისინი არიან შესაბამისი ზედამხედველობის ქვეშ და მიიღეს ინსტრუქტაჟი მოწყობილობის გამოყენების თაობაზე მათ უსაფრთხოებაზე პასუხისმგებელი პირისგან.

- ბავშვები უნდა იყვნენ ზედამხედველობის ქვეშ, რათა მათ არ ითამაშონ მოწყობილობით.
- არ მოათავსოთ მოწყობილობა ან აკუმულატორი მაღალი ტემპერატურის გარემოში.
- გაითვალისწინეთ ლითონის საგნებით გამოწვეული აკუმულატორზე მომუშავე მოწყობილობის ან აკუმულატორის ტერმინალების მოკლე ჩართვა.
- დასამუხტი აკუმულატორი უნდა ამოვიღოთ მოწყობილობიდან მის დამუხტვამდე.
- დაუშვებელია სხვადასხვა ტიპის აკუმულატორის ან ნახშირი და ახალიაკუმულატორი ერთმანეთთან შერევა.
- დაცვითი აკუმულატორი უნდა ამოვიღოთ მოწყობილობიდან და უსაფრთხოდ განადგურდეს.
- თუ მოწყობილობა უნდა ინახებოდეს გამოუყენებელი ხანგრძლივი პერიოდის განმავლობაში, უნდა მოხდეს აკუმულატორების ამოღება.
- არ გამოიყენოთ არა-დატენვადი აკუმულატორები მრავალჯერადი დატენვის აკუმულატორების ნაცვლად.
- არ გამოიყენოთ შეცვლილი ან დაზიანებული აკუმულატორები.
- გამოიყენეთ მხოლოდ რეკომენდებული აკუმულატორების ბლოკები და დამტენები

შენიშნეთ ეს მითითებები. ხშირად იხელმძღვანელებთ მითითებებით და ასწავლეთ ისინი სხვებს, ვისაც სურთ ამ ხელსაწყოს

გამოყენება. თუ ათხოვეთ ხელსაწყოს სხვა პირს, ასევე ათხოვეთ მას ეს მომხმარებლის ინსტრუქცია, რათა ადვილთ ხელსაწყოს არასათანადო გამოყენება და შესაძლო ზიანი.

სპეციფიკაციები

მაბვა	56 ვოლტი 		
მტერის ავზის მოცულობა	34 ლ		
სიჩქარის რეჟიმი	დაბალი	მაღალი	TURBO
მაქს. ჰაერის ნაკადი (ლ/წთ)	1900	2500	3100
მაქს. შეწოვის სიმძლავრე (პა)	10000	15900	24800
დისტანციური მართვის პულტი	დამუხტვის ტემპერატურა	0°C - 45°C	
	მაქს. დამუხტვის მაბვა	5 ვოლტი	
	მაქს. დამმუხტვი დენი	1 A	
წონა (აკუმულატორების ბლოკის გარეშე)	12.1 კგ		
რეკომენდებული საექსპლუატაციო ტემპერატურა	-5°C - 40°C		
შენახვის რეკომენდებული ტემპერატურა	-20°C - 70°C		

შეფუთვის სია (ნახ. A1 და A2)

რეკომენდებული აქსესუარები

⚠ გაფრთხილება: გამოიყენეთ მხოლოდ ქვემოთ ჩამოთვლილი აქსესუარები. ისეთი აქსესუარების გამოყენებამ, რომლებიც არ აკმაყოფილებს ორიგინალი ნაწილების სპეციფიკაციებს, შესაძლოა გამოიწვიოს

KA

მოწყობილობის არასათანადო მუშაობა და უსაფრთხოების ნორმების დარღვევა.

ნაწილის დასახელება	მოდელის ნომერი
მტვრის ტომარა (5 ცალი)	AVG0905
ფილტრის გამოცვლა	AVF0900

აღწერილობა

გაეცანი სველ/შშრალ მტვერსასრუტს (ნახ. A1 და A2)

1. ძალური თავაკის ნაკრები
2. სახელური
3. აქსესუარების სათავსოს სივრცე
4. მტვრის ავზის ჩამკეტი (x2)
5. უკანა ზორბალი (x2)
6. მტვრის ავზი
7. კასტერი ზორბალი მუხრუჭით (x2)
8. სანიაღვრე პორტის თავსახური
9. ნაპრალის საქმენი
10. შეწოვის პორტი
11. ოპერატორის პანელი
12. მტვერსასრუტის შლანგის შესანახი ბუდე
13. საბერველას გამოსასვლელი პირი
14. აქსესუარის დროებითი შენახვა
15. იატაკის დიდი საქმენი + ჯაგრისი
16. დამაგრძელებელი მილები
17. აკუმულატორის მოხსნის ლილაკი
18. თვითმწმენდი ფილტრის ლილაკი
19. თვითმწმენდი ფილტრის შტეკერი
20. მტვერსასრუტის შლანგი
21. შლანგის მოხსნის ლილაკი
22. შეწოვის რეგულატორი
23. დისტანციური მართვის პულტის სადგარი
24. რეზინის ძეგლი
25. მტვრის ტომარა
26. დამტენი კაბელი დისტანციური მართვის პულტისთვის
27. დისტანციური მართვის პულტი
28. მრგვალი მტვრის ფუნჯის საქმენი
29. იატაკის კომპაქტური საქმენი

30. ელ. ხელსაწყო ადაპტერი
31. ჩამრთველი ლილაკი
32. ჩართვა-გამორთვის ლილაკი
33. სიჩქარის ლილაკი
34. სიჩქარის ინდიკატორი
35. ტურბოს ლილაკი
36. ტურბოს ინდიკატორი
37. ფილტრი
38. ფილტრის სამაგრი
39. თხევადი სენსორი (x4)
40. მტვრის ტომარის სამაგრი
41. სანიაღვრე პორტი

ნაკრები

მტვერსასრუტის შლანგის დაკავშირება/ მოხსნა

შესაერთებლად, შლანგის ბოლოს მიაწეკით შეწოვის შესასვლელ პორტში ან შემგერავი გამოსასვლელ პორტში, სანამ არ გაიგებთ „წკაპუნის“ ხმას (ნახ. B1).

მოსახსნელად, დააჭირეთ და გეჭირით შლანგის მოხსნის ლილაკები შლანგის მოსახსნელად (ნახ. B2).

B1-1	მტვერსასრუტის შლანგი	B1-2	შეწოვის პორტი
B1-3	საბერველას გამოსასვლელი პირი	B2-1	მილის მოხსნის ლილაკები

დამაგრძელებელი მილების მიერთება/ მოხსნა (ნახ. გ)

მიამაგრეთ ერთი ან ორი დამაგრძელებელი მილი მტვერსასრუტის შლანგს თქვენი საჭიროებიდან გამომდინარე.

მისაერთებლად, მოათავსეთ დამაგრძელებელი მილის ვიწრო ბოლო მტვერსასრუტის შლანგში, რამდენადაც ეს შესაძლებელია, სანამ დამაგრძელებელი მილი საიმედოდ არ დამაგრდება.

მოსახსნელად, გაითრიეთ დამაგრძელებელი მილი მტვერსასრუტის შლანგიდან.

მეორე დამაგრძელებელი მილის დამაგრება/ მოხსნა პირველი მილის ანალოგიურად ხდება.

KA

C-1	მტვერსასრუტის შლანგი	C-2	ვიწრო ბოლო
C-3	ფართო ბოლო	C-4	დამაგრძელებელი მილები

საქმენის ინსტალაცია/მოხსნა

შეარჩიეთ შესაფერისი საქმენი მტვერსასრუტის შლანგზე პირდაპირ ან დამაგრძელებელ მილზე მისამაგრებლად, საჭიროებების შესაბამისად (ნახ. D1)

- საქმენის დამაგრძელებელ მილთან მისამაგრებლად, შესვით საქმენი დამაგრძელებელ მილში, რამდენადაც ეს შესაძლებელია, სანამ დამაგრძელებელი მილი საიმედოდ არ დამაგრდება. გამოსაერთებლად, გამოამოვით საქმენი დამაგრძელებელი მილიდან.
- საქმენის პირდაპირ მტვერსასრუტის შლანგთან მისაერთებლად, საქმენის სახელორი გასწორეთ მტვერსასრუტის შლანგის ღართან და ჩასვით საქმენი მტვერსასრუტის შლანგში ისე რომ „წკაპუნის“ ხმა გაიგონოთ. მოსახსნელად დააჭირეთ და გეჭირთ მოხსნის დილაკი, რომ შეძლოთ საქმენის გამოერთება.

D1-1	მოხსნის დილაკი	D1-2	სიღრუე
D1-3	დამაგრძელებელი მილები (არასავალდებულო)	D1-4	კნოპი
D1-5	საქმენი		

ნაპრალის საქმენი (ნახ. D2)

ბნელი უზნები ადვილად იწმინდება ნაპრალების საქმენის გამოყენებით, დისტანციური მართვის ინტეგრირებულ შუქთან ერთად.

მიამაგრეთ ნაპრალის საქმენი მტვერსასრუტის შლანგს და გადაიტანეთ დისტანციური მართვის პულტი დისტანციური მართვის სადგარზე მტვერსასრუტის შლანგზე. დააჭირეთ დისტანციური მართვის პულტზე სინათლის დილაკს და ნაპრალის გამჭვირვალე საქმენი განათდება.

D2-1	ნაპრალის საქმენი	D2-2	შუქის დილაკი
D2-3	დისტანციური მართვის პულტი		

ელ. ხელსაწყოს ადაპტერი (ნახ. D3)

ელ. ხელსაწყოს ადაპტერი საშუალებას იძლევა, რომ მტვერსასრუტი ელ. ხელსაწყოს დაუკავშირდეს 32 მმ მტვრის გამოსასვლელით. მტვერსასრუტის შლანგით, რომელიც მიმაგრებულია შეწოვის პორტთან, ჩასვით ელ. ხელსაწყოს ადაპტერი მტვერსასრუტში, რამდენადაც შესაძლებელია, ვიდრე ელ. ხელსაწყოს ადაპტერი საიმედოდ არ იქნება ჩამაგრებული და შემდეგ შეაერთეთ ადაპტერი ელ. ხელსაწყოს მტვრის გასასვლელთან.

⚠ გაფრთხილება: ელ. ხელსაწყოს ადაპტერი არ შეიძლება იყოს დაკავშირებული დამაგრძელებელ მილ(ებ)თან. იძლევთმა მონტაჟმა შეიძლება დააზიანოს ელ. ხელსაწყოს ადაპტერი ან დამაგრძელებელი მილ(ებ)ი.

D3-1	ელ. ხელსაწყო (არ მოყვება შეფუთვას)	D3-2	ელ. ხელსაწყოს ადაპტერი
D3-3	მტვერსასრუტის შლანგი	D3-4	შეწოვის პორტი

იატაკის დიდი საქმენი + ტარი / რეზინის ტარი (ნახ. D4)

იატაკის დიდი საქმენები შეიძლება დაკავშირებული იყოს ჯაგარისის ძელაკთან ან რეზინის ძელაკთან.

ოღნავ გახსნით ძელაკის ორივე ბოლო და დააწექით ბოლოებს, რომ შეძლოთ ძელაკის საქმენიდან ამოძრობა.

ძელაკის დასაყენებლად, მიაწექით ძელაკის ბოლოებს საქმენის ხერგლში, სანამ არ გაივებთ „წკაპუნის“ ხმას.

D4-1	იატაკის დიდი საქმენი	D4-2	საქმენის ნასვრეტები
D4-3	რეზინის ძელაკი	D4-4	ძელაკის დაბოლოება

ძალური თავაკის ნაკრების ინსტალაცია/ მოხსნა

ინსტალაციისთვის, დააჭირეთ მტვრის ავზის ქვედა ჩამკეტებს, დაწიეთ ძალური თავაკის ნაკრები მტვრის ავზზე, და მიაწექით მტვრის ავზის ჩამკეტების ზედა ნაწილებს (სურ. E1 და E2).

KA

მოსახსნელად, დააჭირეთ მტვრის ავზის ქვედა ნაწილებს, შემდეგ კი ასწიეთ ძალური თავაკის ნაკრები (ნახ. E3).

მტვრის ტომრის დამონტაჟება/მოხსნა

1. მოხსენით ბლოკი მტვრის ავზს და ასწიეთ ძალური თავაკის ნაკრები.
2. **ინსტალაციისთვის**, მტვრის ტომრის ბუდეში მოათავსეთ მხოლოდ მტვრის ტომარა ისე რომ ბოლომდე კარგად ჩაჯდეს. მტვრის ან ნარჩენების შეგროვებამდე, ხელით კარგად გაშალეთ მტვრის ტომარა (ნახ. F1).
მოსახსნელად, ოდნავ ასწიეთ ფირფიტა და შემდეგ მოქაჩეთ ფირფიტა ბუდიდან ისე რომ, შეძლოთ მტვრის ტომრის ამოღება (ნახ. F2).

F1-1	მტვრის ტომრის სამაგრი	F1-2	ბუდე
F1-3	მტვრის ტომარა	F1-4	ფირფიტა
F2-1	სამაგრები		

მუშაობა

გამოყენება

თქვენ შეგიძლიათ გამოიყენოთ მოწყობილობა ქვემოთ ჩამოთვლილი მიზნებისთვის:

- თხევადი ნარჩენების ან მშრალი მტვრის შეწოვისთვის, როდესაც შეწოვის პირი მოიყენება.
- ფუნქციონირებს როგორც ჰაერის საბერველა, როდესაც საბერველას პირი გამოიყენება.

აკუმულატორის ბლოკის ჩამაგრება/მოხსნა

გამოიყენეთ მხოლოდ ნახ. A3-ში ჩამოთვლილი EGO-ს აკუმულატორის ბლოკები და დამტენები.

დეტალური მითითებებისთვის იხილეთ აკუმულატორისა და დამტენის სახელმძღვანელოები.

სრულად დატენით პირველად გამოყენებამდე.

დამაგრება

გაუსწორეთ აკუმულატორის სამაგრებისადგამის ბუდეს და ჩააცურეთ აკუმულატორის ბლოკი მტვერსასრუტში სანამ დაწკაპუნების ხმას არ გაიგებთ (სურ. G1).

მოხსნა

დააჭირეთ აკუმულატორის მოხსნის ღილაკს და ამოიღეთ აკუმულატორი (სურ. G2).

G1-1	სამაგრი ღიობი	G1-2	სამაგრი წიბო
G2-1	აკუმულატორის მოხსნის ღილაკი		

სველი/მშრალი მტვერსასრუტის ჩართვა/გამორთვა (ნახ. G) H)

მტვერსასრუტის ჩართვა

1. გადაამოწმეთ, რომ ძალური თავაკი ჩამონტაჟებულია მტვრის ავზზე და მტვრის ავზი უსაფრთხოდ არის ჩაკეტილი. დარწმუნდით, რომ მტვერსასრუტის შლანგი, რომელიც საჭიროებს დამაგრძელებელს და საქმენს, სწორად არის მიმაგრებული.

შენიშვნა: მტვერსასრუტი მუშაობს მხოლოდ მაშინ, როდესაც ძალური თავაკის ნაკრები უსაფრთხოდ არის მიმაგრებული მტვრის ავზზე.

2. ჩასვით აკუმულატორის ბლოკი.
3. მტვერსასრუტის ჩასართავად დააჭირეთ დენის ჩართვის ღილაკს.
4. დააჭირეთ სიჩქარის რეგულირების ღილაკს დაბალი სიჩქარის ან მაღალი სიჩქარის ასარჩევად და შემდეგ მტვერსასრუტის ასამუშაველად დააჭირეთ ჩართვა/გამორთვის ღილაკს. ან დააჭირეთ TURBO ღილაკს, რომ მტვერსასრუტმა მუშაობა პირდაპირ მაქსიმალური სიჩქარით დაიწყო.

შენიშვნა: სიჩქარის რეგულირება ასევე შესაძლებელია მტვერსასრუტის მუშაობის დროს. დამატებითი ინფორმაციისთვის იხილეთ თავი „სიჩქარის შერჩევა“.

მტვერსასრუტის გამორთვა

1. მას შემდეგ, რაც მტვერსასრუტით მუშაობას დაასრულებთ, ან როდესაც მტვრის ავზი გაივსება, დააჭირეთ ჩართვა/გამორთვის ღილაკს მტვერსასრუტის დროებით გასაჩერებლად.
2. ან დააჭირეთ დენის ჩართვის ღილაკს მტვერსასრუტის მთლიანად გამოსართავად.
3. მოხსენით აკუმულატორის ბლოკი.

KA

4. მტვრის ავზი გაცალეთ სპეციალურ კონტეინერში ან სანიაღვრეში.

შენიშვნა: მტვერსასრუტი განახლებს მუშაობას აქტიურ რეგულარულ სიჩქარეზე ხელახალი ჩართვის დროს.

დენის ჩართვის ღილაკის ინდიკატორი

დენის ჩართვის ღილაკის ინდიკატორი	მნიშვნელობა	მოქმედება
შუქი მწვანე	ლოდინის რეჟიმი	მოქმედება არ არის საჭირო. მტვერსასრუტი ავტომატურად გაორთვება 1 საათიანი უმოქმედობის შემდეგ
	მანქანა გამართლად მუშაობს.	ჩვეულებრივი ოპერაცია.
მწვანე შუქი იციმციმებს ნ-ჯერ, შემდეგ გამოირთვება.	ავზში სითხის დონე აღწევს სითხის სენსორების ქვედა ზღვარს	გამორთეთ მტვერსასრუტი, მოხსენით აკუმულატორის ზოლი და შემდეგ გაცალეთ ავზი გაცლის ინსტრუქციის შესაბამისად.
მუდმივად მოციმციმე მწვანე შუქი	ელექტრონული შეცდომა	დახმარებისთვის მიმართეთ EGO-ს კლიენტთა მომსახურების ცენტრს

სიჩქარის შერჩევა

რეგულარული სიჩქარის რეჟიმი

- სიჩქარის ღილაკზე ყოველი დაჭერისას, სიჩქარე იცვლება მაღალ და დაბალ დონეს შორის. სიჩქარის მაჩვენებელი აჩვენებს მწვანე შუქებს, რომლებიც შეესაბამება მიმდინარე სიჩქარის დონეს.

- მტვერსასრუტი ინახავს სიჩქარის ბოლო პარამეტრს და უბრუნდება მას გადატვირთვისთანავე.

ტურბო რეჟიმი

- დააჭირეთ ღილაკს „ტურბო“, ტურბო მაჩვენებელი გაანათებს მწვანედ და მტვერსასრუტი გადავა „ტურბო“ რეჟიმზე, ანუ ჰაერის მაქსიმალურ სიჩქარეზე.
- როდესაც TURBO რეჟიმშია, ხელახლა დააჭირეთ TURBO ღილაკს, ან დააჭირეთ სიჩქარის რეგულირების ღილაკს, ჩართვა/გამორთვის ღილაკს, ან კვების ღილაკს – TURBO ინდიკატორი გამოირთვება და მტვერსასრუტი გამოვა TURBO რეჟიმიდან.

შენიშვნა: TURBO რეჟიმიდან მტვერსასრუტი დაუბრუნდება მანამდე არსებულ აქტიურ რეგულარულ სიჩქარეს.

შენიშვნის რეგულატორი (ნახ. I)

მტვერსასრუტის გამოყენების დროს, მტვერსასრუტის შლანგის ბოლოს ჰაერის ნაკადის კონტროლი შესაძლებელია შეწოვის რეგულატორის მობრუნებით. მოაბრუნეთ რეგულატორი, შეწოვის ჰაერის ჭავლის ნაკარის შესამცირებლად, ან მოაბრუნეთ რეგულატორი შეწოვის ჰაერის ნაკადის გასაზრდელად.

ეს ფუნქცია განსაკუთრებით სასარგებლოა, როდესაც მტვერსასრუტის შლანგს ხელს უშლის ხალიჩები, ქსოვილები და ა.შ. შეწოვის რეჟიმის დროს, ჩართეთ რეგულატორი ჰაერის ნაკადის გამოსაშვებად, შეწოვა შემცირდება.

I-1	შეწოვის რეგულატორი	I-2	ჰაერის ჭავლის გამოსავალი
-----	--------------------	-----	--------------------------

დისტანციური მართვის პულტი

- დისტანციური მართვის პულტი შეიძლება განთავსდეს მტვერსასრუტის შლანგზე მტვერსასრუტის მუშაობის დროს (ნახ. J1).
- როდესაც მტვერსასრუტი ჩართულია, შეგიძლიათ ჩართოთ/გამოთოთ მტვერსასრუტი, ან გადართოთ მანქანა TURBO რეჟიმზე დისტანციური მართვის პულტის გამოყენებით.

შენიშვნა: დისტანციური მართვით არ ხდება ჩვეულებრივ დაბალ ან მაღალ სიჩქარეებს შორის გადართვა.

- დისტანციური მართვის პულტი ასევე შეიძლება გამოყენებულ იქნას როგორც



ფანარი ბნელ ადგილებში, განსაკუთრებით ნაპრალების საქენის გამოყენების დროს.

დისტანციური მართვის პულტის დაწყვილება (ნახ. J2)

დისტანციური მართვის პულტის დაწყვილება მტვერსასრუტთან ქარხანაში მოხდა. თუმცა, იმ შემთხვევებში, თუ დისტანციური მართვის პულტი დაზიანდა ან დაიკარგა, მიჰყევით ქვემოთ მოცემულ მითითებებს, ახალი დისტანციური მართვის პულტის და მტვერსასრუტის დასაწყვილებლად.

- ჩასვით აკუმულატორის ბლოკი.
- მტვერსასრუტის ჩასართვად დააჭირეთ დენის ჩართვის ღილაკს.
- დიდხანს დააჭირეთ მტვერსასრუტის ჩართვა/გამორთვის ღილაკს, სანამ დენის ღილაკის ინდიკატორი ნელა არ გაანათებს მწვანედ.
- დისტანციური მართვის პულტზე დააჭირეთ ღილაკს TURBO ან ჩართვა/გამორთვის ღილაკს, როგორც კი დენის ჩართვის ღილაკის ინდიკატორი დაიწყებს მწვანედ ნელა ციმციმს.
- დენის ჩართვის ღილაკის ინდიკატორი სწრაფად დაიწყებს მწვანედ ციმციმს და შემდეგ გაანათებს მუქ მწვანე შუქს, რაც მიუთითებს, რომ დაწყვილება წარმატებით შესრულდა.

დისტანციური მართვის პულტის ინდიკატორი

დისტანციური მართვის პულტის ინდიკატორი	მნიშვნელობა	მოქმედება
სწრაფად მოციმციმე მწვანე შუქი	დისტანციური მართვის პულტის აკუმულატორის თითქმის დაცლილია.	დისტანციური მართვის პულტის დამუხტვა.

ნელა მოციმციმე მწვანე შუქი	დისტანციური მართვის პულტი იმუხტება.	არანაირი მოქმედება არ არის საჭირო.
მუქი მწვანე	დისტანციური მართვის პულტის დატენვა დასრულ-ებულია.	კვების წყაროდან გამოადრეთ დისტანციური მართვის პულტი და დამტენი კაბელი.

შენიშვნა: როდესაც TURBO ღილაკს ან ჩართვა/გამორთვის ღილაკს ერთხელ დააწვებით ნორმალური მუშაობის დროს, დისტანციური მართვის პულტის ინდიკატორი ერთხელ გაანათებს და შემდეგ გამოითვება.

დისტანციური მართვის პულტის ხელახალი დამუხტვა (ნახ. J3)

პერიოდულად დისტანციური მართვის პულტის შიგნით აკუმულატორს სჭირდება ხელახალი დამუხტვა.

▲ გაფრთხილება: დისტანციური მართვის პულტის შიგნით Li-ion აკუმულატორის ხელახლა დასამუხტად, გთხოვთ გაითვალისწინოთ შემდეგი:

- ხანძრის და დამწვრობის რისკი.
 - არ გახსნათ, გატეხოთ, გაახურთ 60 °C-ზე მეტ ტემპერატურაზე ან დაწვათ.
 - არ მოახდინოთ მოკლე ჩართვა.
 - თუ მალთან ამოიბურცა, შეწყვიტეთ გამოყენება.
- გახსენით USB-C პორტის საფარი.
 - დისტანციური მართვის პულტზე მიაერთეთ შეფუთვაში არსებული დამტენის კაბელის USB-C ბოლო დისტანციური მართვის პულტის USB-C პორტთან.
 - მიაერთეთ დამტენი კაბელის მეორე ბოლო თავსებად USB დენის ადაპტერთან/დამტენთან (არ შედის შეფუთვაში). აკუმულატორის სრულად დამუხტვას შეიძლება 2 სთ-მდე დასჭირდეს.
 - დატენვის დასრულების შემდეგ, გამოაერთეთ დამტენი კაბელი და დახურეთ USB-C პორტის საფარი, რათა USB-C პორტი დაიცვათ დაზინძურებისგან.

KA

J3-1	USB-C პორტის საფარი	J3-2	USB-C პორტი
J3-3	დამტენი კაბელი		

მტვერსასრტთან მუშაობა

მტვერსასრტის სველი ოპერაცია

- არ გამოიყენოთ მტვერის ჩანთა მტვერსასრტის სველი ოპერაციის დროს.
- მყისიერად გამორთეთ მტვერსასრტი, როდესაც მტვერის ავზი გაივსება. მტვერის ავზი გაცალეთ სპეციალურ კონტეინერში ან სანიადვრეში.
- პერიოდულად გაასუფთავეთ მტვერის ავზის, ფილტრისა და აქსესუარების გული, უფრო ხშირად, როდესაც ის გამოიყენება სველი, წებოვანი მასალების ასაღებად.

პილასოსის მშრალი ოპერაცია

- დარწმუნდით, რომ ფილტრი მთლიანად მშრალია მტვერსასრტის სველი რეჟიმის გამოყენების შემდეგ ან გამოიყენეთ მეორე მშრალი ფილტრი მტვერსასრტის მშრალი რეჟიმის გამოყენების დროს. სველი ან ნესტიანი ფილტრები იბიძნება მტვერით ან ობდება.
- მტვერის ზემოქმედების შესამცირებლად გამოიყენეთ მტვერის ტომარა.
- დაუყოვნებლივ გამორთეთ მტვერსასრტი, როდესაც მტვერის ტომარა ან მტვერის ავზი გაივსება.
- მტვერის ავზი გაცალეთ სპეციალურ კონტეინერში ან სანიადვრეში.

საბერველათი ოპერაცია

▲ გაფრთხილება: ყოველთვის ატარეთ თვალის დამცავი ამ აპარატის, როგორც საბერველას გამოყენების დროს.

▲ გაფრთხილება: ნუ გამოყენებთ საბერველას აალებადი ან წვადი მასალების შემთხვევაში, მაგ., ბენზინი, ან იმ ადგილებში, სადაც ასეთი მასალები შეიძლება იმყოფებოდეს. ხანძარმა შეიძლება იფეთქოს.

▲ გაფრთხილება: არ მიუშვიროთ ჰაერის ჭავლი სხვა ადამიანების ან შინაური ცხოველების მხარეს.

ტექნიკური მომსახურება

▲ გაფრთხილება: სერიოზული პერსონალური დაზიანისგან თავის არიდების მიზნით, მოხსენით აკუმულატორი ხელსაწყოს ტექნიკური სერვისის, გაწმენდის, მისამაგრებელი ელემენტების შეცვლის ან ნარჩენი ნივთიერების მოცილების დროს.

ზოგადი სახის ტექნიკური მომსახურება

მოერიდეთ გამხსნელების გამოყენებას მოწყობილობის პლასტმასის ნაწილების გაწმენდისას. პლასტმასების უმეტესობა ადვილად ზიანდება მათზე სხვადასხვა სახის კომერციული გამხსნელების გამოყენების შედეგად. გამოიყენეთ სუფთა ტილო ტალახის, მტვერის, ზეთის, ცხიმის და სხვ. მოსაცილებლად.

▲ გაფრთხილება: არცერთ შემთხვევაში არ მისცეთ სამუხრუჭე სითხეს, ბენზინს, ნავთობის ბაზაზე დამზადებულ პროდუქტებს ან სხვა ძლიერ გამხსნელებს და ა.შ. იცვუნ პლასტმასის ნაწილებთან კონტაქტში. ქიმიურმა ნაერთებმა შესაძლოა დაზიანოს, გავითოს და დაშლოს პლასტმასი, რამაც შეიძლება მოგაყენოთ სერიოზული ზიანი.

▲ გაფრთხილება: მოკლე ჩართვით გამოწვეული ხანძრის, პირადი დაზიანებისა და პროდუქტის დაზიანების რისკის შესამცირებლად, არასოდეს ჩადოთ თქვენი ხელსაწყო, აკუმულატორის ბლოკი ან დამტენი სითხეში და არ დაუშვათ ხელსაწყოში სითხის მოხვედრა. კოროზიულმა ან გამტარმა სითხეებმა, როგორცაა ზღვის წყალი, გარკვეული სამრეწველო ქიმიკატები და მათეთრებელი ან მათეთრებლის შემცველი პროდუქტები და ა.შ., შეიძლება გამოიწვიოს მოკლე ჩართვა.

მტვერის ავზის დაცლა

1. მტვერის ავზიდან მოხსენით სანიადვრე პორტის თავსახური სითხის დასაცვლელად შესაბამის კონტეინერში ან სანიადვრეში, თუ ეს შესაძლებელია.
2. მტვერის ავზიდან მოხსენით ძალური თავაკის ნაკრები.
3. ამოიღეთ მტვერის ტომარა, თუ მტვერის ტომარა არის დაყენებული.
4. მტვერის ავზი გასუფთავეთ ყველა სახის ჭუჭყის ან ნარჩენისგან და გარეცხეთ რბილი საპნით და წყლით.

5. აცადეთ, რომ მტვრის ავზი გაშრეს ძალური თავაკის ნაკრების ხელახლა აწყობამდე.

ფილტრის მოვლა

ფილტრის თვითმწმენდი სისტემა

1. მტვერსასრუტის შლანგი მიაერთეთ მტვერსასრუტის შეწოვის პორთან და შლანგის მეორე ბოლო მიამაგრეთ თვითმწმენდი ფილტრის შტეკერთან (ნახ. K1).
2. ჩასვით აკუმულატორის ბლოკი, მანქანაზე დააჭირეთ დენის ჩართვის ღილაკს.
3. მანქანის ჩასართავად აირჩიეთ სასურველი სიჩქარის რეჟიმი და დააჭირეთ ჩართვა/გამორთვის ღილაკს.
4. ფილტრის გასაწმენდად დააჭირეთ ფილტრის თვითმწმენდის ღილაკს (ნახ. K2).

რჩევები: გასუფთავების საუკეთესო ეფექტის მისაღწევად, რეკომენდებულია, რომ TURBO რეჟიმი აირჩიოთ და დააჭიროთ ფილტრის თვითმწმენდის ღილაკს ხუთჯერ და ყოველ ჯერზე გააჩერეთ 3 წამი.

K1-1	შეწოვის პორტი	K1-2	მტვერსასრუტის შლანგი
K1-3	თვითმწმენდი ფილტრის შტეკერი	K2-1	თვითმწმენდი ფილტრის ღილაკი

ფილტრის გარეცხვა

ამოიღეთ აკუმულატორის ბლოკი და დათვალაირეთ ფილტრი ძალური თავაკის ნაკრების მალა აწვეით. თუ ფილტრი მაინც ბინძურია სექციაში **“ფილტრის თვითმწმენდის სისტემა”** მოცემული მოქმედებების შემდეგ, ამოიღეთ ფილტრი და გაავლეთ ცივ წყალში. დააცადეთ, რომ ფილტრი მთლიანად გაშრეს და დაბრუნეთ თავის ადგილას.

ფილტრის შეცვლა (ნახ. L1 & ნახ. L2)

⚠ გაფრთხილება: პერიოდულად შეამოწმეთ ფილტრი და შეცვალეთ ის თუ გაცვეთილი ან დაზიანებულია. დაზიანებული ფილტრის გამოყენებამ შეიძლება გამოიწვიოს არასასურველი და დაზიანებული ჰაერის კონტეინერის გარეთ გამოყოფა.

1. ასწიეთ ძალური თავაკის ნაკრები და გადადეთ იგი ერთ გვერდზე (ნახ. L1).

2. გახსენით ფილტრის სახელურის სამაგრები და მოქაჩეთ ფილტრით გარეთ (ნახ. L2).
3. გამოიყენეთ ტენიანი ქსოვილი, ნებისმიერი მტვრის და ნარჩენის ფილტრის ზონიდან მოსაშორებლად.
4. სამაგრებით დაამაგრეთ ახალი ან გაწმენდილი ფილტრი.
5. მიადეთ სამაგრები ფილტრს და მოკვეთთ სახელური.

L1-1	სახელური	L1-2	ფილტრის სამაგრი
------	----------	------	-----------------

მტვერსასრუტის შენახვა

1. მოხსენით აკუმულატორის ბლოკი მტვერსასრუტს.
2. შენახვამდე საგულდაგულოდ გაწმენდეთ მტვერსასრუტი.
3. შეინახეთ მტვერსასრუტი მშრალ, კარგად განიავებად ადგილას ჩაკეტილ და მალალ სათავსოში, ზავშვებისთვის მიუწვდომელ ადგილას. არ შეინახოთ მტვერსასრუტი სასუქის, ბენზინის და სხვა ქიმიური ნივთიერებების სიახლოვეს.

გარემოს დაცვა



არ მოათავსოთ ელექტრო მოწყობილობა, დამტენი და აკუმულატორი საყოფაცხოვრებო ნაგავში! მიუტანეთ პროდუქტი ნარჩენების ავტორიზირებულ გადამამუშავებელს და უზრუნველყავით ასეთი ნარჩენის განცალკევებულად შეგროვება. ელექტრო ხელსაწყოები უნდა ჩაბარდეს ნარჩენების გადამამუშავებელ ობიექტს.

KA

დიაგნოსტიკა

პრობლემა	მიზეზი	პრობლემის გადაჭრის გზა
მტვერსასრუტი არ ირთვება	<ul style="list-style-type: none"> აკუმულატორის ბლოკის მუხტი დაბალია. აკუმულატორის ბლოკი არ არის დაყენებული სწორად. 	<ul style="list-style-type: none"> დატენეთ აკუმულატორის ბლოკი. შეაცურეთ აკუმულატორის ბლოკი მტვერსასრუტში ვიდრე მის ადგილს არ მოერგება
მტვერსასრუტის სიმძლავრე სუსტია	<ul style="list-style-type: none"> მტვერსასრუტის შლანგი ან შემწოვი დაბლოკილია. ფილტრი გადავსებულია წერილი მტვრით. მტვრის ავზი გაივსო. აკუმულატორის ბლოკის მუხტი დაბალია. სანიაღვრე პორტის თავსახური მტვრის ავზიდან მოხსნილია. 	<ul style="list-style-type: none"> შეამოწმეთ და გაასუფთავეთ ბლოკირება მტვერსასრუტის შლანგში ან შემწოვის შესასვლელში. გაასუფთავეთ ფილტრი მოცემულ სახელმძღვანელოში “ფილტრის მოვლა” სექციის შესაბამისად. გაცალეთ მტვრის ავზი. დატენეთ აკუმულატორის ბლოკი დააინსტალირეთ სანიაღვრე პორტის თავსახური მტვრის ავზზე.
მანქანა მუშაობს, მაგრამ არ აქვს შეწოვა.	<ul style="list-style-type: none"> ძალური თავაკის ნაკრები მთლიანად არ არის დაყენებული მტვრის ავზზე. 	<ul style="list-style-type: none"> დარწმუნდით, რომ ძალური თავაკის ნაკრები სწორად არის დაყენებული მტვრის ავზზე.
მტვერი იპარება საბერველას პირიდან.	<ul style="list-style-type: none"> ფილტრი აკლია ან არასწორადაა დამონტაჟებული. ფილტრი დაზიანებულია. 	<ul style="list-style-type: none"> შეამოწმეთ ფილტრის სწორი მონტაჟი. შეცვალეთ ახალი ფილტრით.
მტვერსასრუტის კონტროლი შეუძლებელია დისტანციური მართვის პულტის საშუალებით.	<ul style="list-style-type: none"> დისტანციური მართვის პულტი არ არის მტვერსასრუტთან დაწყვილებული. დისტანციური მართვის პულტის მუხტი დაბალია. დისტანციური მართვის პულტი დაზიანებულია. 	<ul style="list-style-type: none"> დააწყვილეთ დისტანციური მართვის პულტი და მტვერსასრუტი ამ სახელმძღვანელოში მოცემული სექციის “დისტანციური მართვის პულტის დაწყვილების” შესაბამისად. დისტანციური მართვის პულტის დამუხტვა. გამოიყენეთ ახალი დისტანციური მართვის პულტი და შეასრულეთ დისტანციური მართვის პულტის დაწყვილება.



გარანტია

EGO-ს საგარანტიო პოლიტიკა

გთხოვთ, ეწვიოთ ვებ-გვერდს egopowerplus.eu, და გაეცნოთ EGO-ს საგარანტიო მომსახურების წესებს და პირობებს სრულად.

KA

PROČITAJTE SVA UPUTSTVA!



PROČITAJTE PRIRUČNIK ZA RUKOVAOCA

▲ UPOZORENJE: Da bi se osigurala sigurnost i pouzdanost, sve popravke treba da radi kvalifikovani servisni tehničar.

SIGURNOSNI SIMBOLI

Svrha sigurnosnih simbola je da vam skrenu pažnju na moguće opasnosti. Sigurnosni simboli i objašnjenja uz njih zaslužuju vašu pominu pažnju i shvatanje. Simboli upozorenja, sami po sebi, ne eliminišu nikakve opasnosti. Uputstva i upozorenja koja oni daju nisu zamena za odgovarajuće mere sprečavanja nezgoda.

▲ UPOZORENJE: Obavezno pročitajte i shvatite sva sigurnosna uputstva u ovom Priručniku za rukovaoca, obuhvatajući i sve simbole sigurnosnih upozorenja poput „**OPASNOST**“, „**UPOZORENJE**“ i „**OPREZ**“ pre korišćenja ove mašine. Nepridržavanje svih dole navedenih uputstava može da dovede do strujnog udara, požara i/ili ozbiljne telesne povrede.

ZNAČENJE SIMBOLA

▲ SIMBOL SIGURNOSNOG UPOZORENJA: Ukazuje na **OPASNOST**, **UPOZORENJE** ili **OPREZ**, može se koristiti zajedno sa drugim simbolima ili piktogramima.

SIGURNOSNA UPUTSTVA

Ova stranica prikazuje i opisuje sigurnosne simbole koji mogu da se pojave na ovom proizvodu. Pročitajte, shvatite i sledite sva uputstva na mašini pre no što pokušate da je sklopite i da rukujete njom.



Sigurnosno upozorenje



Radi smanjenja opasnosti od povreda, korisnik treba da pročita priručnik za rukovaoca.



Otpadni električni proizvodi ne smeju da se odlažu sa otpadom iz domaćinstva. Odnosite ih u ovlašćeni pogon za reciklažu.



Jednosmerna struja



Ovaj proizvod je u skladu sa primenljivim Direktivama EU.



Ocenjena usklađenost u UK

IPX4 Zaštita od zapljuskivanja vode

L Litar

kg Kilogram

V Volt

°C Celzijus

L/min Litara po minutu

Pa Paskal

SR

▲ UPOZORENJE: Pročitajte i shvatite sva uputstva. Nepridržavanje svih dole navedenih uputstava može da dovede do strujnog udara, požara i/ili ozbiljne telesne povrede.

236

AKUMULATORSKI USISIVAČ ZA MOKROISUVO USISAVANJE S LITIJUM-JONSKOM BATERIJOM OD 56 V — WDV0900E

Ovaj aparat nije predviđen da ga koriste osobe (obuhvatajući i decu) sa smanjenim fizičkim, senzornim ili mentalnim sposobnostima ili sa nedostatkom iskustva i znanja, osim ako ih ne nadzire ili upućuje u upotrebu aparata osoba odgovorna za njihovu bezbednost.

- Decu treba nadzirati da bi se osiguralo da se ne igraju aparatom.
- Ne izlažite aparat ili bateriju ekstremnim temperaturama.
- Budite svesni rizika terminala aparata na baterije ili kratkog spoja baterije metalnim predmetima.
- Punjive baterije se moraju izvaditi iz aparata pre punjenja.
- Različiti tipovi baterija ili nove i korišćene baterije se ne smeju mešati.
- Istrošene baterije treba ukloniti iz aparata i bezbedno odložiti na otpad.
- Ako se aparat skladišti nekorišćen na duži period, baterije treba ukloniti.
- Ne koristite nepunjive baterije umesto punjivih baterija.
- Ne koristite modifikovane ili oštećene baterije.
- **Koristite samo sa navedenim akumulatorima i punjačima**

Sačuvajte ovo uputstvo. Uputstva upotrebljavajte često i upotrebljavajte ih za upućivanje drugih osoba koje mogu da upotrebljavaju ovu mašinu. Ako pozajmite nekom ovu mašinu, pozajmite i ovo uputstvo da bi se sprečila pogrešna upotreba proizvoda i eventualna povreda.

SPECIFIKACIJE

Napon	56 V		
Zapremina rezervoara za prašinu	34 L		
Režim brzine	Niska	Visoka	TURBO
Maks. Protok vazduha (L/min)	1900	2500	3100
Maks. Snaga usisavanja (Pa)	10000	15900	24800

Daljinski upravljač	Temperatura punjenja	Od 0 do 45 °C
	Maks. Napon punjenja	5 V
	Maks. Struja punjenja	1 A
Težina (bez baterije)		12,1 kg
Preporučena radna temperatura		Od -5 do +40 °C
Preporučena temperatura skladištenja		Od -20 do +70 °C

POPIS PAKOVANJA (SLIKA A1 I A2)

PREPORUČENI DODACI

⚠ UPOZORENJE: Koristite samo pribor naveden ispod. Upotreba pribora koji ne ispunjava specifikacije originalne opreme može da dovede do nepravilnog rada i kompromitovane bezbednosti.

NAZIV DELA	BROJ MODELA
Vreće za prašinu (5 kom)	AVG0905
Zamenski filter	AVF0900

OPIS

UPOZNAJTE SVOJ USISIVAČ ZA MOKRO/SUVO (slika A1 i A2)

1. Sklop pogonske glave
2. Drška
3. Odeljak za skladištenje dodataka
4. Reza rezervoara za prašinu (x2)
5. Zadnji točak (x2)
6. Rezervoar za prašinu
7. Točkić sa kočnicom (x2)
8. Kapica porta za dreniranje
9. Mlaznica za uska mesta
10. Ulazni usisni port
11. Kontrolna tabla
12. Prorezi za skladištenje creva usisivača
13. Izlazni izduvni port

SR

14. Privremeno skladište dodataka
15. Velika mlaznica za pod + nastavak sa četkom
16. Produžne cevi
17. Dugme za oslobađanje baterije
18. Dugme za samočišćenje filtera
19. Utikač za samočišćenje filtera
20. Crevo usisivača
21. Dugme za oslobađanje creva
22. Regulator usisavanja
23. Montaža za daljinski upravljač
24. Nastavak sa gumom
25. Vreća za prašinu
26. Kabl za punjenje daljinskog upravljača
27. Daljinski upravljač
28. Okrugla mlaznica sa četkom za prašinu
29. Kompaktna mlaznica za pod
30. Adapter za električni alat
31. Dugme napajanja
32. Start/stop dugme
33. Dugme za brzinu
34. Indikator brzine
35. TURBO dugme
36. TURBO indikator
37. Filter
38. Nosač filtera
39. Senzor tečnosti (x4)
40. Nosač vreće za prašinu
41. Port za dreniranje

SKLAPANJE

SPAJANJE/ODVAJANJE CREVA USISIVAČA

Za spajanje, gumite kraj creva u ulazni usisni port ili izlazni izduvni port dok ne čujete „škljoc“ (slika B1).

Za odvajanje, pritisnite i držite dugmad za oslobađanje creva da biste uklonili crevo (slika B2).

B1-1	Crevo usisivača	B1-2	Ulazni usisni port
B1-3	Izlazni izduvni port	B2-1	Dugmad za oslobađanje creva

SPAJANJE/ODVAJANJE PRODUŽNIH CEVI (SLIKA C)

Spojite jednu ili dve produžne cevi na crevo usisivača, prema svojim potrebama.

Za spajanje, umetnite uski kraj produžne cevi u crevo usisivača što dalje možete, dok produžna cev ne bude učvršćena na svom mestu.

Za odvajanje, izvucite produžnu cev iz creva usisivača. Druga produžna cev se spaja na prvu cev i odvaja od nje na isti način.

C-1	Crevo usisivača	C-2	Uski kraj
C-3	Široki kraj	C-4	Produžne cevi

INSTALIRANJE/UKLANJANJE MLAZNICA

Izaberite odgovarajuću mlaznicu za instalaciju direktno na crevo usisivača ili na produžnu cev, shodno svojim potrebama (slika D1)

- Za spajanje mlaznice na produžnu cev, umetnite mlaznicu u produžnu cev što dalje možete, dok ne bude učvršćena na svom mestu. Za odvajanje, izvucite mlaznicu iz produžne cevi.
- Za spajanje mlaznice direktno na crevo usisivača, poravnajte dugme na mlaznici sa žlebom na crevu usisivača pa umetnite mlaznicu u crevo usisivača dok ne čujete „škljoc“. Za odvajanje, pritisnite i držite dugme za oslobađanje da biste uklonili mlaznicu.

D1-1	Dugme za oslobađanje	D1-2	Žleb
D1-3	Produžne cevi (opciono)	D1-4	Dugme
D1-5	Mlaznica		

Mlaznica za uska mesta (slika D2)

Mračna mesta se mogu lako očistiti kad koristite mlaznicu za uska mesta u kombinaciji sa integrisanim svetlom daljinskog upravljača.

Spojite mlaznicu za uska mesta na crevo usisivača i zakopčajte daljinski upravljač na montažu za daljinski upravljač na crevu usisivača. Pritisnite dugme za svetlo na daljinskom upravljaču pa će se transparentna mlaznica za uska mesta osvetliti.

D2-1	Mlaznica za uska mesta	D2-2	Dugme za svetlo
D2-3	Daljinski upravljač		

Adapter za električni alat (slika D3)

Adapter za električni alat omogućava usisivaču da se spoji na električni alat sa izlazom za prašinu od 32 mm.

Sa crevom usisivača spojenim na ulazni usisni port usisivača, umetnite adapter za električni alat u usisivač što dalje možete, dok adapter za električni alat ne bude učvršćen na svom mestu, a potom spojite adapter na izlaz za prašinu električnog alata.

⚠ UPOZORENJE: Adapter za električni alat se ne može spojiti na produžnu cev. Forsiranje instalacije može da izazove oštećenja na adapteru za električni alat ili produžnoj cevi.

D3-1	Električni alat (nije priložen)	D3-2	Adapter za električni alat
D3-3	Crevo usisivača	D3-4	Ulazni usisni port

Velika mlaznica za pod + nastavak sa četkom / nastavak sa gumom (slika D4)

Velika mlaznica za pod se može kombinovati sa nastavkom sa četkom ili nastavkom sa gumom.

Blago otvorite oba kraja nastavka i pritisnite krajeve nadole da biste uklonili nastavak sa mlaznice.

Za instalaciju nastavka, gurnite krajeve nastavka u rupe na mlaznici dok ne čujete „škljoc“.

D4-1	Velika mlaznica za pod	D4-2	Rupe na mlaznici
D4-3	Nastavak sa gumom	D4-4	Krajevi nastavka

INSTALIRANJE/UKLANJANJE SKLOPA POGONSKE GLAVE

Za instalaciju, pritisnite donje delove reza na rezervoaru za prašinu, spustite sklop pogonske glave na rezervoar za prašinu i potom gurnite gornje delove reza na rezervoaru za prašinu (slika E1 i E2).

Za uklanjanje, pritisnite donje delove rezervoara za prašinu a zatim podignite sklop pogonske glave (slika E3).

INSTALIRANJE/UKLANJANJE VREĆE ZA PRAŠINU

- Otključajte rezervoar za prašinu i podignite sklop pogonske glave.
- Za instalaciju,** umetnite samo ploču vreće za prašinu u prerez na nosaču vreće za prašinu dok ploča ne padne niz rebra. Ručno odmotajte vreću za prašinu pre prikupljanja prašine ili materijala (slika F1).

Za uklanjanje, blago podignite ploču iznad rebara a zatim izvucite ploču iz proreza da biste uklonili vreću za prašinu (slika F2).

F1-1	Nosač vreće za prašinu	F1-2	Prerez
F1-3	Vreća za prašinu	F1-4	Ploča
F2-1	Rebra		

RAD

PRIMENA

Ovaj proizvod možete da upotrebljavate za svrhe navedene u nastavku:

- Usisavanje tečnog otpada ili suve prašine kad se koristi ulazni usisni port.
- Funkcija duvača kad se koristi izlazni izduvni port.

POSTAVLJANJE/SKIDANJE BATERIJE

Koristite samo sa EGO akumulatorima i punjačima navedenim na slici A3.

Pogledajte odgovarajuće priručnike za bateriju i punjač radi više detalja.

Potpuno napunite pre prve upotrebe.

Za spajanje

Poravnajte rebra baterije sa prerezima za montiranje i gurnite bateriju na usisivač dok ne čujete „škljoc“ (slika G1).

Za odvajanje

Pritisnite dugme za otpuštanje baterije i izvucite bateriju (slika G2).

G1-1	Prerez za montiranje	G1-2	Rebro
G2-1	Dugme za oslobađanje baterije		

STARTOVANJE/STOPIRANJE USISIVAČA ZA MOKRO/SUVO (SLIKA H)

Za startovanje usisivača

- Proverite da li je sklop pogonske glave instaliran na rezervoar za prašinu i da li je rezervoar za prašinu čvrsto zaključan. Osigurajte da crevo usisivača, potrebne produžne cevi i mlaznica budu pravilno spojeni.

NAPOMENA: Usisivač radi samo kad je sklop pogonske glave čvrsto spojen na rezervoar za prašinu.

2. Instalirajte bateriju.
3. Pritisnite dugme napajanja da biste uključili napajanje usisivača.
4. Pritisnite dugme za podešavanje brzine da biste izabrali malu brzinu ili veliku brzinu a zatim pritisnite dugme start/stop da biste startovali usisivač. Ili, pritisnite TURBO dugme da biste startovali usisivač direktno na maksimalnoj brzini.

NAPOMENA: Brzina se može podešavati i tokom usisavanja. Za više informacija pogledajte poglavlje „IZBOR BRZINE“.

Za stopiranje usisivača

1. Kad usisavanje bude završeno ili kad se rezervoar za prašinu napuni, pritisnite dugme start/stop da biste privremeno stopirali usisivač.
2. Ili pritisnite dugme napajanja da biste potpuno isključili napajanje usisivača.
3. Izvadite bateriju.
4. Ispraznite rezervoar za prašinu u odgovarajuću posudu ili odvod.

NAPOMENA: Usisivač će nastaviti na prethodno aktivnoj postavci redovne brzine kad se ponovo startuje.

Indikator dugmeta napajanja

Indikator dugmeta napajanja	Značenje	Akcija
Neprekidno zeleno	Pripravnost	Nisu potrebne akcije. Usisivač će se automatski isključiti nakon 1 sata neaktivnosti
	Mašina pravilno radi.	Normalan rad.
Bljeska zeleno 6 puta a zatim se isključuje.	Nivo tečnosti u rezervoaru doseže donji vrh senzora tečnosti	Stopirajte usisivač, uklonite akumulator, a zatim ispraznite rezervoar prema uputstvu za pražnjenje.
Bljeska zeleno neprekidno	Greška elektronike	Obratite se EGO korisničkoj službi radi pomoći

SR

IZBOR BRZINE

Redovan režim brzine

- Svaki put kad se pritisne dugme za podešavanje brzine, brzina će se prebaciti između niskog nivoa i visokog nivoa. Indikator brzine prikazuje zelena svetla koja odgovaraju trenutnom nivou brzine.
- Usisivač će sačuvati poslednju postavku brzine i vratiti joj se pri ponovnom startovanju.

TURBO režim

- Pritisnite dugme TURBO; TURBO indikator će se osvetliti zeleno i usisivač će početi da radi direktno na TURBO brzini, tj. na najvećoj brzini.
- Kad ste u TURBO režimu, pritisnite ponovo TURBO dugme ili pritisnite dugme za podešavanje brzine, dugme start/stop ili dugme napajanja – TURBO indikator će se isključiti a usisivač će izaći iz TURBO režima.

NAPOMENA: Nakon izlaska iz TURBO režima, usisivač će nastaviti na prethodno aktivnoj redovnoj brzini.

REGULATOR USISAVANJA (slika I)

Dok usisavate, protok vazduha na kraju creva usisivača možete kontrolisati okretanjem regulatora usisavanja. Okrenite regulator tako da izložite izlaz vazduha i smanjite usisavanje ili okrenite regulator tako da pokrijete izlaz vazduha i povećate usisavanje.

Ovo svojstvo je naročito korisno kad se crevo usisivača zapuši tepihom, tkaninom itd. tokom usisavanja; okrenite regulator tako da izložite izlaz vazduha i usisavanje će se smanjiti.

I-1	Regulator usisavanja	I-2	Izlaz vazduha
-----	----------------------	-----	---------------

DALJINSKI UPRAVLJAČ

- Daljinski upravljač se može postaviti na crevo usisivača tokom usisavanja (slika J1).
- Kad usisivač ima napajanje, možete startovati/stopirati usisivač ili prebaciti mašinu u TURBO režim pomoću daljinskog upravljača.

NAPOMENA: Daljinski upravljač ne može da prebacuje između redovne male i velike brzine.

- Daljinski upravljač možete koristiti i kao lampu za mračna područja, naročito kad koristite mlaznicu za uska mesta.

Uparivanje daljinskog upravljača (slika J2)

Daljinski upravljač je uparen sa usisivačem u fabrici. Međutim, u slučajevima kad je daljinski upravljač oštećen ili izgubljen, pratite korake ispod da biste uparili novi daljinski upravljač sa usisivačem.

1. Instalirajte bateriju.
2. Pritisnite dugme napajanja da biste uključili napajanje usisivača.
3. Dugo pritisnite dugme start/stop na usisivaču dok indikator dugmeta napajanja ne počne sporo da bljeska zeleno.
4. Pritisnite dugme TURBO ili dugme start/stop na daljinskom upravljaču čim indikator dugmeta napajanja počne sporo da bljeska zeleno.
5. Indikator dugmeta napajanja će brzo bljeskati zeleno a zatim svetleti neprekidno zeleno da ukaže da je uparivanje uspješno.

Indikator daljinskog upravljača

Indikator daljinskog upravljača	Značenje	Akcija
Brzo bljeska zeleno	Napunjenost baterije daljinskog upravljača je skoro ispražnjena.	Napunite daljinski upravljač.
Sporo bljeska zeleno	Daljinski upravljač se puni.	Nije potrebna nikakva radnja.
Neprekidno zeleno	Punjenje daljinskog upravljača je završeno.	Odvojite daljinski upravljač i kabl za punjenje od izvora napajanja.

Punjenje daljinskog upravljača (slika J3)

Periodično će baterija u daljinskom upravljaču morati da bude napunjena.

⚠ UPOZORENJE: Za ovu punjivu litijum-jonsku bateriju u daljinskom upravljaču, budite svesni sledećeg:

- Rizik od požara i opekotina.
- Ne otvarajte, ne gnječite, ne zagrevajte iznad 60 °C niti spaljujte.
- Ne pravite kratak spoj.
- Ako jako nabubri, prekinite upotrebu.

1. Otvorite poklopac USB-C porta.
2. Spojite USB-C kraj priloženog kabla za punjenje na USB-C port na daljinskom upravljaču.
3. Spojite drugi kraj kabla za punjenje na kompatibilan USB strujni adapter / punjač (nije priložen). Punjenje potpuno ispražnjene baterije može trajati do 2 sata.
4. Kad završite sa punjenjem, odvojite kabl za punjenje i zatvorite poklopac USB-C porta da biste zaštitili USB-C port od kontaminacije.

J3-1	Poklopac USB-C porta	J3-2	USB-C port
J3-3	Kabl za punjenje		

RAD USISIVAČEM

Operacija mokrog usisavanja

- Ne koristite vreću za prašinu tokom operacije mokrog usisavanja.
- Isključite usisivač čim se rezervoar za prašinu napuni. Ispraznite rezervoar za prašinu u odgovarajuću posudu ili odvod.
- Očistite unutrašnjost rezervoara za prašinu, filter i dodatke periodično a češće kad ih koristite za kupljenje mokrih, lepljivih materijala.

Operacija suvog usisavanja

- Vodite računa da filter bude potpuno suv nakon mokrog usisavanja ili koristite drugi suvi filter za suvo usisavanje. Vlažni ili mokri filteri će se zapuštiti prašinom ili ubudati.
- Da biste smanjili izlaganje pesku, koristite vreću za prašinu.
- Isključite usisivač čim se vreća za prašinu ili rezervoar za prašinu napuni.
- Ispraznite rezervoar za prašinu u odgovarajuću posudu ili odvod.

Operacija duvanja

⚠ UPOZORENJE: Uvek nosite zaštitu za oči kad koristite ovu mašinu kao duvač.

⚠ UPOZORENJE: Ne duvajte zapaljive materijale poput benzina i ne koristite na mestima gde takvi materijali mogu biti prisutni. Moglo bi doći do požara.

⚠ UPOZORENJE: Ne usmeravajte protok vazduha prema ljudima ili kućnim ljubimcima.

ODRŽAVANJE

⚠ UPOZORENJE: Da biste sprečili ozbiljne telesne povrede, izvadite bateriju iz proizvoda pre servisiranja, čišćenja, menjanja dodatka ili skidanja materijala sa jedinice.

OPŠTE ODRŽAVANJE

Izbegavajte korišćenje rastvarača kada čistite plastične delove. Većina plastike je podložna oštećenjima od raznih tipova komercijalnih rastvarača i može se oštetiti njihovom upotrebom. Koristite čistu krpu da uklonite prljavštinu, prašinu, ulje, masnoću itd.

⚠ UPOZORENJE: Nemojte ni u kom trenutku dozvoliti da kočiona tečnost, benzin, proizvodi na bazi petroleja, penetraciono ulje itd. dođu u kontakt sa plastičnim delovima. Hemikalije mogu da oštete, oslabe ili unište plastiku, što može da dovede do ozbiljne telesne povrede.

⚠ UPOZORENJE: Da biste smanjili rizik od požara, telesne povrede i oštećenja proizvoda zbog kratkog spoja, nikad ne potapajte mašinu, bateriju ili punjač u tečnost i ne dozvolite da tečnost uđe u njih. Korozivne ili provodničke tečnosti poput morske vode, određenih industrijskih hemikalija i izbeljivača ili proizvoda koji sadrže izbeljivač i sl. mogu da izazovu kratak spoj.

PRAŽNENJE REZERVOARA ZA PRAŠINU

1. Uklonite kapicu porta za dreniranje da biste ispustili tečnost iz rezervoara za prašinu u odgovarajuću posudu ili odvod, ako je dostupan.
2. Uklonite sklop pogonske glave sa rezervoara za prašinu.
3. Uklonite vreću za prašinu ako je instalirana.
4. Očistite svu prljavštinu ili materijal iz rezervoara za prašinu i operite ga blagim sapunom i vodom.
5. Ostavite rezervoar za prašinu da se osuši pre no što ponovo sklopite sklop pogonske glave.

ODRŽAVANJE FILTERA

Sistem samočišćenja filtera

1. Spojite crevo usisivača na ulazni usisni port usisivača i instalirajte drugi kraj creva na utikač za samočišćenje filtera (slika K1).
2. Instalirajte akumulator pa pritisnite dugme napajanja da biste uključili napajanje mašine.
3. Izaberite željeni režim brzine i pritisnite dugme start/stop da biste uključili mašinu.
4. Pritisnite dugme za samočišćenje filtera da biste očistili filter (slika K2).

SAVETI: Da biste postigli najbolji efekat čišćenja, preporučuje se da izaberete TURBO režim i pritisnete dugme za samočišćenje filtera pet puta i držite ga 3 sekunde svaki put.

K1-1	Ulazni usisni port	K1-2	Crevo usisivača
K1-3	Utikač za samočišćenje filtera	K2-1	Dugme za samočišćenje filtera

SR

Pranje filtera

Uklonite akumulator i ispitajte filter tako što ćete podići sklop pogonske glave. Ako je filter i dalje prljav nakon praćenja koraka u odeljku „Sistem samočišćenja filtera“,

uklonite filter i isperite ga hladnom vodom. Ostavite filter da se potpuno osuši pa ga ponovo instalirajte.

Zamena filtera (slika L1 i slika L2)

⚠ UPOZORENJE: Periodično proveravajte filter i zamenite ga ako je pohaban ili oštećen. Korišćenje oštećenog filtera može da dovede do ispuštanja neželjene kontaminacije u vazduh iz kanistera.

1. Podignite sklop pogonske glave i stavite ga na bočnu stranu (slika L1).
2. Otklopite dršku nosača filtera i izvucite nosač sa filterom napolje (slika L2).
3. Koristeći vlažnu krpu uklonite prašinu i materijal iz područja filtera.
4. Instalirajte novi ili očišćeni filter u nosač.
5. Stavite nosač u područje filtera i preklonite dršku.

L1-1	Drška	L1-2	Nosač filtera
------	-------	------	---------------

SKLADIŠTENJE USISIVAČA

1. Izvadite akumulator iz usisivača.
2. Temeljno očistite usisivač pre no što ga uskladištite.
3. Skladištite usisivač na suvom, dobro provetrenom mestu, zaključan ili na visini, van domašaja dece. Ne skladištite usisivač na ili pored đubriva, benzina ili drugih hemikalija.

ZAŠTITA ŽIVOTNE SREDINE



Ne odlažite električnu opremu, potrošene baterije i punjače u kućni otpad! Odnosite ovaj proizvod u ovlašćeni pogon za reciklažu ili ga odvojite od ostalog smeća radi zasebnog prikupljanja. Električni alati moraju se odneti u ekološki prihvatljiv pogon za reciklažu.

REŠAVANJE PROBLEMA

PROBLEM	UZROK	REŠENJE
Usisivač neće da startuje.	<ul style="list-style-type: none"> ■ Punjenje baterije je nisko. ■ Baterija nije pravilno instalirana. 	<ul style="list-style-type: none"> ■ Napunite bateriju. ■ Gurnite akumulator na usisivač dok ne škljocne na svoje mesto.
Snaga usisavanja je mala	<ul style="list-style-type: none"> ■ Postoji blokada u crevu usisivača ili usisnom ulazu. ■ Filter je zapušen sitnom prašinom. ■ Rezervoar za prašinu je pun. ■ Punjenje baterije je nisko. ■ Kapica porta za dreniranje je uklonjena sa rezervoara za prašinu. 	<ul style="list-style-type: none"> ■ Proverite i očistite blokadu u crevu usisivača ili usisnom ulazu. ■ Očistite filter prateći odeljak „ODRŽAVANJE FILTERA“ u ovom priručniku. ■ Ispraznite rezervoar za prašinu. ■ Napunite bateriju ■ Instalirajte kapicu porta za dreniranje na rezervoar za prašinu.
Mašina radi ali nema usisavanja.	<ul style="list-style-type: none"> ■ Sklop pogonske glave nije potpuno instaliran na rezervoar za prašinu. 	<ul style="list-style-type: none"> ■ Osigurajte da sklop pogonske glave bude potpuno instaliran na rezervoar za prašinu.
Prašina izlazi iz izlaznog izduvnog porta.	<ul style="list-style-type: none"> ■ Filter nedostaje ili je nepravilno instaliran. ■ Filter je oštećen. 	<ul style="list-style-type: none"> ■ Proverite da li je filter pravilno instaliran. ■ Zamenite novim filterom.
Usisivač se ne može kontrolisati preko daljinskog upravljača.	<ul style="list-style-type: none"> ■ Daljinski upravljač nije uparen sa usisivačem. ■ Napunjenost daljinskog upravljača je slaba. ■ Daljinski upravljač je oštećen. 	<ul style="list-style-type: none"> ■ Uparite daljinski upravljač sa usisivačem prateći poglavlje „Uparivanje daljinskog upravljača“ u ovom priručniku. ■ Napunite daljinski upravljač. ■ Koristite novi daljinski upravljač i izvršite uparivanje daljinskog upravljača.

GARANCIJA

EGO POLITIKA GARANCIJE

Posetite veb-lokaciju egopowerplus.eu za potpune uslove i odredbe EGO politike garancije.

PROČITAJTE UPUTSTVO U CIJELOSTI!



PROČITAJTE KORISNIČKI PRIRUČNIK.

⚠ UPOZORENJE! Radi osiguranja sigurnosti i pouzdanosti, sve popravke treba obavljati kvalifikovani servisni tehničar.

SIGURNOSNI SIMBOLI

Svrha sigurnosnih simbola je skretanje pažnje na moguće opasnosti. Sigurnosni simboli i njihova objašnjenja zahtijevaju vašu potpunu pažnju i razumijevanje. Simboli upozorenja sami po sebi ne isključuju opasnost. Uputstva i upozorenja koja pružaju nisu zamjena za propisne mjere za prevenciju nesreća.

⚠ UPOZORENJE! Prije upotrebe ove mašine pobrinite se da sva sigurnosna uputstva u ovom korisničkom priručniku, uključujući sve sigurnosne simbole kao što su "OPASNOST", "UPOZORENJE" i "OPREZ" pročitate s razumijevanjem. Zanemarivanje svih uputstava navedenih u nastavku može rezultirati strujnim udarom, požarom i/ili teškim tjelesnim povredama.

ZNAČENJE SIMBOLA

⚠ SIMBOL UPOZORENJA: ukazuje na **OPASNOST**, **UPOZORENJE** ili **OPREZ** i može se upotrebljavati u kombinaciji s drugim simbolima ili piktogramima.

SIGURNOSNE NAPOMENE

Na ovoj stranici slikovno su prikazani i objašnjeni sigurnosni simboli koji se mogu pojaviti na ovom proizvodu. Prije pokušaja sastavljanja i rukovanja, s razumijevanjem pročitate sva uputstva na proizvodu i pridržavajte ih se.



Simbol upozorenja



Radi smanjenja opasnosti od povreda, korisnik treba pročitati korisnički priručnik.



Otpadni električni proizvodi ne smiju se odlagati s otpadom iz domaćinstva. Onesite ih u ovlaštenu centar za reciklažu.



Istosmjerna struja



Ovaj proizvod je u skladu s primjenjivim direktivama EU.



Usklađenost ispitana u Velikoj Britaniji

IPX4 Zaštita od prskanja vode

l Litra

kg Kilogram

V Volt

°C Celzijus

l/min. Litra u minuti

Pa Paskal

⚠ UPOZORENJE! S razumijevanjem pročitate sva uputstva. Zanemarivanje svih uputstava navedenih u nastavku može rezultirati strujnim udarom, požarom i/ili teškim tjelesnim povredama.

BS

244

AKUMULATORSKI USISIVAČ ZA MOKRO/SUHO USISAVANJE S LITIJ-HONSKOM BATERIJOM OD 56 V — WDV0900E

Ovaj uređaj nije predviđen da ga upotrebljavaju osobe (uključujući djecu) ograničenih fizičkih, čulnih ili mentalnih sposobnosti ili nedovoljnog iskustva i znanja, osim ako ih nadzire osoba odgovorna za njihovu sigurnost ili ako ih je uputila u način upotrebe uređaja.

- Djecu je potrebno nadzirati da budete sigurni da se ne igraju uređajem.
- Ne izlažite uređaj ili bateriju visokim temperaturama.
- Imajte na umu rizik od kratkog spoja priključaka uređaja na baterijski pogon ili baterije metalnim predmetima.
- Punjive baterije je prije punjenja potrebno izvaditi iz uređaja.
- Ne smiju se kombinovati baterije različitih vrsta ili nove i korištene baterije.
- Istrošene baterije je potrebno izvaditi iz uređaja i sigurno zbrinuti.
- Ako se uređaj neće upotrebljavati duže vrijeme, bateriju je potrebno izvaditi.
- Nemojte upotrebljavati nepunjive baterije umjesto punjivih baterija.
- Nemojte upotrebljavati preinačene ili oštećene baterije.
- **Upotrebljavajte samo navedene komplete baterija i punjače.**

Sačuvajte ova uputstva. Uputstvima se koristite često i upotrebljavajte ih za upućivanje drugih osoba koje mogu upotrebljavati ovu mašinu. Ako ovu mašinu nekom posudite, priložite i ovo uputstvo radi sprečavanja nepropisne upotrebe proizvoda i mogućih povreda.

TEHNIČKI PODACI

Napon	56 V		
Zapremina rezervoara za prašinu	34 l		
Režim brzine	Niska	Visoka	TURBO
Maks. protok zraka (l/min)	1900	2500	3100
Maks. snaga usisavanja (Pa)	10000	15900	24800
Daljinski upravljač	Temperatura punjenja	0°C – 45°C	
	Maks. napon punjenja	5 V	
	Maks. struja punjenja	1 A	

Masa (bez kompleta baterija)	12,1 kg
Preporučena radna temperatura	-5°C – 40°C
Preporučena temperatura skladištenja	-20°C – 70°C

SADRŽAJ PAKOVANJA (SL. A1 I A2)

PREPORUČENI PRIBOR

⚠ UPOZORENJE! Upotrebljavajte samo dodatnu opremu navedenu u nastavku. Upotreba dodatne opreme koja ne ispunjava zahtjeve specifikacija originalne opreme može rezultirati nepropisnim radnim učinkom i nedovoljnom sigurnošću.

NAZIV DIJELA	BRJ MODELA
Vrećice za prašinu (5 kom.)	AVG0905
Zamjenski filter	AVF0900

OPIS

UPOZNAJTE SVOJ USISIVAČ ZA MOKRO/SUHO USISAVANJE (sl. A1 i A2)

1. Sklop pogonske jedinice
2. Ručka
3. Pretinac za odlaganje pribora
4. Bravica spremnika za prašinu (x2)
5. Stražnji točak (x2)
6. Spremnik za prašinu
7. Upravljački točak s kočnicom (x2)
8. Čep odvodnog otvora
9. Nastavak za čišćenje pukotina
10. Ulazni otvor za usisavanje
11. Upravljačka ploča
12. Utori za odlaganje usisnog crijeva
13. Izlazni otvor za ispuhivanje
14. Prostor za privremeno odlaganje pribora
15. Veliki podni nastavak + četkica
16. Produžne cijevi
17. Dugme za oslobađanje baterije

18. Dugme za samočišćenje filtera
19. Čep za samočišćenje filtera
20. Usisno crijevo
21. Dugme za otpuštanje crijeva
22. Regulator snage usisavanja
23. Držač daljinskog upravljača
24. Gumena traka
25. Vrećica za prašinu
26. Kabel za punjenje za daljinski upravljač
27. Daljinski upravljač
28. Okrugli nastavak sa četkom za prašinu
29. Kompaktni podni nastavak
30. Adapter za električni alat
31. Dugme napajanja
32. Dugme za pokretanje/zaustavljanje
33. Dugme brzine
34. Indikator brzine
35. Dugme za TURBO režim rada
36. Indikator TURBO režima rada
37. Filter
38. Držač filtera
39. Senzor za tekućinu (x4)
40. Držač vrećice za prašinu
41. Odvodni otvor

SASTAVLJANJE

POSTAVLJANJE/UKLANJANJE USISNOG CRIJEVA

Za postavljanje gumite kraj crijeva u ulazni otvor za usisavanje ili izlazni otvor za ispuhivanje tako da čujete zvuk "klikanja" (sl. B1).

Za uklanjanje pritisnite dugme za otpuštanje crijeva i držite ga pritisnutim da uklonite crijevo (sl. B2).

B1-1	Usisno crijevo	B1-2	Ulazni otvor za usisavanje
B1-3	Izlazni otvor za ispuhivanje	B2-1	Dugmad za otpuštanje cijevi

POSTAVLJANJE/UKLANJANJE PRODUŽNIH CIJEVI (SL. C)

Postavite jednu produžnu cijev ili dvije produžne cijevi na usisno crijevo prema vašim potrebama.

Za postavljanje umetnite uski kraj produžne cijevi u usisno crijevo što je dublje moguće dok produžna cijev čvrsto ne dosjedne.

Za uklanjanje izvucite produžnu cijev iz usisnog crijeva. Druga produžna cijev se postavlja na prvu cijev/uklanja s prve cijevi na isti način.

C-1	Usisno crijevo	C-2	Uski kraj
C-3	Široki kraj	C-4	Produžne cijevi

POSTAVLJANJE/UKLANJANJE NASTAVAKA

Odaberite odgovarajući nastavak za postavljanje direktno na usisno crijevo ili na produžnu cijev prema vašim potrebama (sl. D1).

- Za postavljanje nastavka na produžnu cijev, umetnite nastavak u produžnu cijev što je više moguće dok čvrsto ne dosjedne. Za uklanjanje povucite nastavak s produžne cijevi.
- Za postavljanje nastavka direktno na usisno crijevo, poravnajte okretno dugme na nastavku sa žlijebom u usisnom crijevu i umetnite nastavak u usisno crijevo tako da čujete zvuk "klikanja". Za uklanjanje pritisnite dugme za otpuštanje i držite ga pritisnutim da uklonite nastavak.

D1-1	Dugme za otpuštanje	D1-2	Žlijeb
D1-3	Produžne cijevi (opcionarno)	D1-4	Okretno dugme
D1-5	Nastavak		

Nastavak za čišćenje pukotina (sl. D2)

Tamna područja mogu se lako očistiti nastavkom za čišćenje pukotina u kombinaciji s integriranim svjetlom na daljinskom upravljaču.

Nastavak za čišćenje pukotina postavite na usisno crijevo i umetnite daljinski upravljač u držač daljinskog upravljača na usisnom crijevu. Pritisnite dugme za svjetlo na daljinskom upravljaču i prozirni nastavak za čišćenje pukotina će zasvijetliti.

D2-1	Nastavak za čišćenje pukotina	D2-2	Dugme za svjetlo
D2-3	Daljinski upravljač		

Adapter za električni alat (sl. D3)

Adapter za električni alat omogućuje spajanje usisivača i električnog alata s izlaznim otvorom za prašinu od 32 mm.

Umetnite usisno crijevo u ulazni otvor za usisavanje na usisivaču, gurnite adapter za električni alat u usisivač što je više moguće dok adapter za električni alat čvrsto ne dosjedne, a zatim postavite adapter na izlazni otvor za prašinu električnog alata.

⚠ UPOZORENJE! Adapter za električni alat ne može se postaviti na produžnu cijev/produžne cijevi. Nasilno postavljanje može dovesti do oštećenja adaptera za električni alat ili produžnih cijevi.

D3-1	Električni alat (nije priložen)	D3-2	Adapter za električni alat
D3-3	Usisno crijevo	D3-4	Ulazni otvor za usisavanje

Veliki podni nastavak + četkica/gumena traka (sl. D4)

Veliki podni nastavak može se upotrebljavati u kombinaciji s četkom ili gumenom trakom.

Polagano otvorite oba kraja trake i pritisnite krajeve prema dolje da uklonite traku s nastavka.

Za postavljanje trake pritisnite krajeve trake u otvore na nastavku tako da čujete zvuk "klikanja".

D4-1	Veliki podni nastavak	D4-2	Otvori na nastavku
D4-3	Gumena traka	D4-4	Krajevi trake

POSTAVLJANJE/UKLANJANJE SKLOPA POGONSKE JEDINICE

Za postavljanje pritisnite donje dijelove bravica spremnika za prašinu, spustite sklop pogonske jedinice na spremnik za prašinu, a zatim pritisnite gornje dijelove bravica spremnika za prašinu (sl. E1 i E2).

Za uklanjanje pritisnite donje dijelove spremnika za prašinu, a zatim podignite sklop pogonske jedinice (sl. E3).

POSTAVLJANJE/UKLANJANJE VREĆICE ZA PRAŠINU

- Odbarivate spremnik za prašinu i podignite sklop pogonske jedinice.
- Za postavljanje** samo umetnite pločicu vrećice za prašinu u otvor držača vrećice za prašinu tako da pločica klizne niz rebra. Vrećicu za prašinu rukom raširite prije sakupljanja prašine ili naslaga (sl. F1).
Za uklanjanje lagano podignite pločicu iz rebra, a zatim je izvucite iz utora da uklonite vrećicu za prašinu (sl. F2).

F1-1	Držač vrećice za prašinu	F1-2	Utor
F1-3	Vrećica za prašinu	F1-4	Pločica
F2-1	Rebra		

RAD

PRIMJENA

Ovaj proizvod možete upotrebljavati za svrhe navedene u nastavku:

- Usisavanje tekućeg otpada ili suhe prašine kada se upotrebljava ulazni otvor za usisavanje.
- Radi kao puhač kada se upotrebljava izlazni otvor za ispuhivanje.

POSTAVLJANJE/UKLANJANJE KOMPLETA BATERIJA

Proizvod upotrebljavajte samo s EGO kompletima baterija i punjačima koji su navedeni na sl. A3.

Detaljne upute potražite u odgovarajućim priručnicima za komplete baterija i punjač.

Komplet baterija potpuno napunite prije prve upotrebe.

Postavljanje

Poravnajte kontakte baterije s montažnim utorima i gurnite komplet baterija na usisivač tako da čujete zvuk klikanja (sl. G1).

Uklanjanje

Pritisnite dugme za oslobađanje baterije i izvucite komplet baterija (sl. G2).

G1-1	Montažni utor	G1-2	Rebro
G2-1	Dugme za oslobađanje baterije		

POKRETANJE/ZAUSTAVLJANJE USISIVAČA ZA MORKO/SUHO USISAVANJE (SL. H)

Pokretanje usisivača

- Provjerite je li pogonska jedinica postavljena na spremnik za prašinu i je li spremnik za prašinu dobro zabavljen. Provjerite jesu li usisno crijevo, potrebna produžna cijev/potrebne produžne cijevi i nastavak pravilno postavljeni.

NAPOMENA! Usisivač će raditi samo kada je sklop pogonske jedinice čvrsto pričvršćen na spremnik za prašinu.

2. Postavite komplet baterija.
3. Za uključivanje usisivača pritisnite dugme napajanja.
4. Za odabir niske ili visoke brzine pritisnite dugme za podešavanje brzine, a zatim za pokretanje usisivača pritisnite dugme za pokretanje/zaustavljanje. Ili pritisnite dugme TURBO za direktno pokretanje usisivača na najvećoj brzini.

NAPOMENA! Brzina se može podešavati i tokom usisavanja. Više informacija potražite u odjeljku "ODABIR BRZINE".

Zaustavljanje usisivača

1. Kada završite s usisavanjem ili kada je spremnik za prašinu pun, pritisnite dugme za pokretanje/zaustavljanje da privremeno zaustavite usisivač.
2. Ili pritisnite dugme napajanja za potpuno isključivanje usisivača.
3. Izvadite komplet baterija.
4. Ispraznite spremnik za prašinu u odgovarajuću posudu ili odvod.

NAPOMENA! Kada se ponovo pokrene, usisivač će nastaviti raditi s prethodno aktivnom postavkom normalne brzine.

Indikator dugmeta napajanja

Indikator dugmeta napajanja	Značenje	Radnja
Svijetli zeleno.	Pripravnost	Radnja nije potrebna. Usisivač se automatski isključuje nakon 1 sata neaktivnosti.
	Mašina radi ispravno.	Normalan rad.
Treperi zeleno 6 puta, a zatim se isključuje.	Nivo tekućine u spremniku doseže donji vrh senzora za tekućinu.	Zaustavite usisivač, izvadite komplet baterija, a zatim ispraznite spremnik prema uputama za pražnjenje.
Kontinuirano treperi zeleno.	Greška elektronike	Za pomoć se obratite centru korisničke službe proizvođača EGO.

ODABIR BRZINE

Režim rada s normalnom brzinom

- Svaki put kada se pritisne dugme za podešavanje brzine, brzina se prebacuje između niske i visoke brzine. Indikator brzine prikazuje zelena svjetla u skladu s aktuelnom brzinom.
- Usisivač će spremiti zadnju postavku brzine i vratiti će se na nju nakon ponovnog pokretanja.

TURBO režim rada

- Pritisnite dugme TURBO, indikator TURBO režima rada će zasvijetliti zeleno, a usisivač će početi raditi direktno u TURBO režimu rada, tj. na najvišoj brzini.
- Kada je usisivač u TURBO režimu rada, ponovo pritisnite dugme TURBO ili pritisnite dugme za podešavanje brzine, dugme za pokretanje/zaustavljanje ili dugme napajanja – indikator TURBO režima rada će se isključiti, a usisivač izaći iz TURBO režima rada.

NAPOMENA! Nakon izlaska iz TURBO režima rada, usisivač nastavlja raditi s prethodno aktivnom normalnom brzinom.

REGULATOR SNAGE USISAVANJA (sl. I)

Tokom usisavanja protok zraka na kraju usisnog crijeva može se kontrolisati okretanjem regulatora snage usisavanja. Za smanjenje snage usisavanja okrenite regulator da otvorite izlazni otvor za zrak ili za povećanje snage usisavanja okrenite regulator da zatvorite izlazni otvor za zrak.

Ova funkcija je posebno korisna kada se crijevo usisivača tokom usisavanja zbog velike snage usisavanja zatvori tepisima, krpama i sl. U tom slučaju okrenite regulator da otvorite izlazni otvor za zrak i snaga usisavanja će se smanjiti.

I-1	Regulator snage usisavanja	I-2	Izlazni otvor za zrak
-----	----------------------------	-----	-----------------------

DALJINSKI UPRAVLJAČ

- Daljinski upravljač može se staviti na usisno crijevo tokom usisavanja (sl. J1).
- Kada je usisivač uključen, daljinskim upravljačem možete pokrenuti/zaustaviti usisivač ili prebaciti uređaj u TURBO režim rada.

NAPOMENA! Daljinskim upravljačem ne može se prebacivati između normalne niske i visoke brzine.

- Daljinski upravljač može se upotrebljavati i kao svjetiljka za tamna područja, posebno kada se upotrebljava nastavak za čišćenje pukotina.

Uparivanje daljinskog upravljača (sl. J2)

Daljinski upravljač je tvornički uparen s usisivačem. Međutim, ako je daljinski upravljač oštećen ili izgubljen, za uparivanje vašeg novog daljinskog upravljača s usisivačem pratite korake u nastavku.

1. Postavite komplet baterija.
2. Za uključivanje usisivača pritisnite dugme napajanja.
3. Pritišćite dugme za pokretanje/zaustavljanje na usisivaču dok indikator dugmeta napajanja ne počne sporo treperiti zeleno.
4. Kada indikator dugmeta napajanja počne sporo treperiti zeleno, pritisnite dugme TURBO ili dugme za pokretanje/zaustavljanje na daljinskom upravljaču.
5. Indikator dugmeta napajanja brzo će treperiti zeleno, a zatim će svijetliti stalno zeleno kako bi ukazao na uspješno uparivanje.

Indikator daljinskog upravljača

Indikator daljinskog upravljača	Značenje	Radnja
Brzo treperi zeleno.	Baterija daljinskog upravljača je skoro prazna.	Napunite daljinski upravljač.
Sporo treperi zeleno.	Daljinski upravljač se puni.	Radnja nije potrebna.
Svijetli zeleno.	Postupak punjenja daljinskog upravljača je završen.	Isključite daljinski upravljač i kabel za punjenje iz strujnog napajanja.

NAPOMENA! Tokom normalnog rada, indikator daljinskog upravljača će jednom zasvijetliti i zatim se isključiti kada se jednom pritisne dugme TURBO ili dugme za pokretanje/zaustavljanje.

Ponovno punjenje daljinskog upravljača (sl. J3)

Bateriju daljinskog upravljača potrebno je napuniti s vremena na vrijeme.

⚠ UPOZORENJE! Za ovu punjivu litij-ionsku bateriju u daljinskom upravljaču imajte na umu sljedeće:

- Postoji rizik od požara i opekotina.
- Bateriju nemojte otvarati, drobiti, zagrijavati na temperaturu iznad 60 °C niti spaljivati.
- Bateriju nemojte kratko spojati.

- Ako se baterija veoma izboči, prestanite je upotrebljavati.

1. Otvorite poklopac USB-C priključka.
2. Priključite USB-C kraj priloženog kabela za punjenje na USB-C priključak na daljinskom upravljaču.
3. Drugi kraj kabela za punjenje priključite na kompatibilni USB strujni adapter/punjač (nije u sadržaju isporuke). Punjenje potpuno ispražnjene baterije može trajati do 2 sata.
4. Kada se postupak punjenja završi, odspojite kabel za punjenje i zatvorite poklopac USB-C priključka da USB-C priključak zaštitite od zaprljanja.

J3-1	Poklopac USB-C priključka	J3-2	USB-C priključak
J3-3	Kabel za punjenje		

RAD SA USISIVAČEM

Mokro usisavanje

- Tokom mokrog usisavanja nemojte upotrebljavati vrećicu za prašinu.
- Usisivač odmah isključite ako je spremnik za prašinu pun. Ispraznite spremnik za prašinu u odgovarajuću posudu ili odvod.
- Redovno čistite unutrašnjost spremnika za prašinu, filter i pribor, a češće kada usisavate mokre, ljepljive materijale.

Suho usisavanje

- Nakon mokrog usisavanja provjerite je li filter potpuno suh ili upotrijebite drugi suhi filter za suho usisavanje. Vlažni ili mokri filteri začepće se prašinom ili popljesnive.
- Upotrebljavajte vrećicu za prašinu da smanjite izloženost silikatnoj prašini.
- Usisivač odmah isključite ako su vrećica za prašinu ili spremnik za prašinu puni.
- Ispraznite spremnik za prašinu u odgovarajuću posudu ili odvod.

Funkcija puhača

⚠ UPOZORENJE! Kada ovaj uređaj upotrebljavate kao puhač, uvijek nosite zaštitu za oči.

⚠ UPOZORENJE! Nemojte otpuhivati gorive ili zapaljive materijale kao što je benzin i nemojte upotrebljavati uređaj u područjima gdje bi takvi materijali mogli biti prisutni. To može rezultirati požarom.

⚠ UPOZORENJE! Protok zraka nemojte usmjeravati prema ljudima ili kućnim ljubimcima.

ODRŽAVANJE

⚠ UPOZORENJE! Prije servisiranja, čišćenja, zamjene priključaka ili uklanjanja materijala s jedinice uklonite komplet baterija iz proizvoda da izbjegnute teške tjelesne povrede.

OSNOVNO ODRŽAVANJE

Kada čistite plastične dijelove, izbjegavajte upotrebljavati rastvore. Mnoge plastike mogu se oštetiti različitim vrstama komercijalnih rastvora i mogu se oštetiti njihovom upotrebom. Za uklanjanje prljavštine, prašine, ulja, masti i sl. upotrebljavajte čistu krpu.

⚠ UPOZORENJE! Nemojte nikada dozvoliti da kočione tekućine, benzin, proizvodi na bazi nafte, penetrirajuća ulja i sl., dođu u kontakt s plastičnim dijelovima. Hemikalije mogu oštetiti, oslabiti ili uništiti plastiku, što može rezultirati teškim tjelesnim povredama.

⚠ UPOZORENJE! Radi smanjenja opasnosti od požara, tjelesnih povreda i oštećenja proizvoda uslijed kratkog spoja, mašinu, komplet baterija ili punjač nemojte nikada uranjati u tekućinu i nemojte dozvoliti da tekućina prodre u njih. Korozivne ili vodljive tekućine kao što su morska voda, neke industrijske hemikalije i izbjeljivač ili proizvodi koji sadrže izbjeljivač i sl. mogu izazvati kratki spoj.

PRŽNENJE SPREMNIKA ZA PRAŠINU

1. Uklonite čep odvodnog otvora da tekućinu u spremniku za prašinu izlijete u odgovarajuću posudu ili odvod, ako postoji.
2. Uklonite sklop pogonske jedinice sa spremnika za prašinu.
3. Uklonite vrećicu za prašinu ako je postavljena.
4. Očistite svu nečistoću i naslage iz spremnika za prašinu, a zatim ga očistite blagim sapunom i vodom.
5. Pričekajte da se spremnik za prašinu osuši prije ponovnog postavljanja sklopa pogonske jedinice.

ODRŽAVANJE FILTERA

Sistem samočišćenja filtera

1. Umetnite usisno crijevo ulazni otvor za usisavanje na usisivaču, a drugi kraj crijeva postavite na čep za samočišćenje filtera (sl. K1).
2. Postavite komplet baterija i pritisnite dugme napajanja da uključite uređaj.
3. Odaberite željeni režim brzine i pritisnite dugme za pokretanje/zaustavljanje da pokrenete uređaj.
4. Pritisnite dugme za samočišćenje filtera da očistite filter (sl. K2).

SAVJETI: Za najbolji učinak čišćenja preporučujemo da odaberete TURBO režim rada, pet puta pritisnete dugme za samočišćenje filtera i da ga svaki put držite pritisnutim 3 sekunde.

K1-1	Ulazni otvor za usisavanje	K1-2	Usisno crijevo
K1-3	Čep za samočišćenje filtera	K2-1	Dugme za samočišćenje filtera

Pranje filtera

Uklonite komplet baterija, podignite sklop pogonske jedinice i pregledajte filter. Ako je filter i nakon obavljanja koraka iz odjeljka "Sistem samočišćenja filtera" još uvijek zaprljan, uklonite ga i isperite u hladnoj vodi. Pričekajte da se filter potpuno osuši, a zatim ga ponovo postavite.

Zamjena filtera (sl. L1 i L2)

⚠ UPOZORENJE! Redovno provjeravajte filter i zamijenite ga ako je istrošen ili oštećen. Upotreba oštećenog filtera može rezultirati oslobađanjem neželjenih zagadivača zraka iz spremnika.

1. Podignite sklop pogonske jedinice i odložite ga na jednu stranu (sl. L1).
2. Rasklopite ručku držača filtera i izvucite držač s filterom (sl. L2).
3. Za uklanjanje prašine i naslaga iz područja filtera upotrebljavajte vlažnu krpu.
4. Postavite novi ili očišćeni filter u držač.
5. Postavite držač u područje filtera i sklopite ručku.

L1-1	Ručka	L1-2	Držač filtera
------	-------	------	---------------

SKLADIŠTENJE USISIVAČA

1. Izvadite komplet baterija iz usisivača.
2. Usisivač dobro očistite prije skladištenja.
3. Usisivač skladištite na suhom, dobro prozračenom mjestu koje je moguće zaključati ili koje je na visini, izvan dohvata djece. Usisivač nemojte skladištiti na gnojivima, benzinu ili drugim hemikalijama niti u njihovoj blizini.

ZAŠTITA ŽIVOTNE SREDINE



Električnu opremu, iskorištenu bateriju i punjač ne odlažite u kućni otpad! Ovaj proizvod odnesite u ovlaštenu centar za reciklažu i time omogućite odvojeno sakupljanje. Električne alate potrebno je vratiti u ekološki prihvatljiv pogon za reciklažu.

OTKLANJANJE PROBLEMA

PROBLEM	UZROK	RJEŠENJE
Usisivač se ne pokreće.	<ul style="list-style-type: none"> ■ Nivo napunjenosti kompleta baterija je nizak. ■ Komplet baterija nije pravilno postavljen. 	<ul style="list-style-type: none"> ■ Napunite komplet baterija. ■ Komplet baterija gurnite na usisivač tako da ulegne u svoje mjesto.
Snaga usisavanja je slaba.	<ul style="list-style-type: none"> ■ Usisno crijevo ili ulazni otvor za usisavanje su začepljeni. ■ Filter je začepljen finom prašinom. ■ Spremnik za prašinu je pun. ■ Nivo napunjenosti kompleta baterija je nizak. ■ Čep odvodnog otvora je uklonjen sa spremnika za prašinu. 	<ul style="list-style-type: none"> ■ Provjerite jesu li usisno crijevo ili ulazni otvor za usisavanje začepljeni i uklonite blokadu. ■ Očistite filter prema uputstvima u odjeljku „ODRŽAVANJE FILTERA“ u ovom priručniku. ■ Ispraznite spremnik za prašinu. ■ Napunite komplet baterija. ■ Postavite čep odvodnog otvora na spremnik za prašinu.
Usisivač radi, ali ne usisava.	<ul style="list-style-type: none"> ■ Sklop pogonske jedinice nije potpuno postavljen na spremnik za prašinu. 	<ul style="list-style-type: none"> ■ Provjerite je li sklop pogonske jedinice potpuno postavljen na spremnik za prašinu.
Iz izlaznog priključka za ispuhivanje izlazi prašina.	<ul style="list-style-type: none"> ■ Filter nedostaje ili je nepravilno postavljen. ■ Filter je oštećen. 	<ul style="list-style-type: none"> ■ Provjerite je li filter pravilno postavljen. ■ Zamijenite novim filterom.
Usisivačem se ne može upravljati putem daljinskog upravljača.	<ul style="list-style-type: none"> ■ Daljinski upravljač nije uparen sa usisivačem. ■ Baterija daljinskog upravljača je skoro prazna. ■ Daljinski upravljač je oštećen. 	<ul style="list-style-type: none"> ■ Uparite daljinski upravljač sa usisivačem prema uputstvima u odjeljku "Uparivanje daljinskog upravljača" u ovom priručniku. ■ Napunite daljinski upravljač. ■ Upotrebjavajte novi daljinski upravljač i obavite uparivanje daljinskog upravljača.

GARANCIJA

POLITIKA GARANCIJE PROIZVOĐAČA EGO

Za sve odredbe i uslove politike garancije proizvođača EGO posjetite internetsku stranicu egopowerplus.eu.

استكشاف الأعطال وإصلاحها

المشكلة	السبب	الحل
لا يمكن بدء تشغيل المكنسة.	<ul style="list-style-type: none"> شحن مجموعة البطارية منخفض. مجموعة البطارية غير مُركبة كما ينبغي. 	<ul style="list-style-type: none"> اشحن مجموعة البطارية. أدخل مجموعة البطارية في المكنسة إلى أن تتشبك في مكانها المناسب.
قوة الشفط ضعيفة.	<ul style="list-style-type: none"> هناك انسداد في خرطوم المكنسة أو مدخل الشفط. الفلتر مسدود بالغبار الناعم. خزان الغبار ممتلئ. شحن مجموعة البطارية منخفض. تمت إزالة غطاء منفذ التصريف عن خزان الغبار. 	<ul style="list-style-type: none"> تحقق من الانسداد في خرطوم المكنسة أو مدخل الشفط، وتخلص منه. قم بتنظيف الفلتر باتباع التعليمات في قسم "صيانة الفلتر" من هذا الدليل. أفرغ خزان الغبار. اشحن مجموعة البطارية. قم بتركيب غطاء منفذ التصريف على خزان الغبار.
الألة تعمل ولكن لا يوجد شفط.	لم يتم تثبيت مجموعة رأس الطاقة على خزان الغبار بشكل كامل.	تأكد من تثبيت مجموعة رأس الطاقة على خزان الغبار جيدًا.
يهرب الغبار من منفذ مخرج النفخ.	<ul style="list-style-type: none"> الفلتر مفقود أو تم تثبيته بشكل غير صحيح. الفلتر تالف. 	<ul style="list-style-type: none"> تحقق من التركيب الصحيح للفلتر. استبدله بفلتر جديد.
لا يمكن التحكم في المكنسة من خلال الريموت كنترول.	<ul style="list-style-type: none"> الريموت كنترول غير مقترن بالمكنسة الكهربائية. شحن الريموت كنترول منخفض. الريموت كنترول تالف. 	<ul style="list-style-type: none"> قم بإقران الريموت كنترول بالمكنسة الكهربائية وفقًا للتعليمات الواردة في الفصل "إقران الريموت كنترول بالآلة" من هذا الدليل. اشحن الريموت كنترول. استخدم ريموت كنترول جديدًا، وقم بإجراء إقران الريموت كنترول.

الضمان

سياسة ضمان EGO

تفضل بزيارة الموقع الإلكتروني egopowerplus.eu للتعرف على الشروط والأحكام الكاملة الخاصة بسياسة ضمان EGO.

استبدال الفلتر (الشكلان L1 و L2)

تحذير: افحص الفلتر بشكل دوري واستبدله في حالة استهلاكه أو تلفه. يمكن أن يؤدي استخدام الفلتر التالف إلى إطلاق الملوثات المحمولة بالهواء غير المرغوب فيها من الوعاء.

1. ارفع مجموعة رأس الطاقة وضعها على جانب واحد (الشكل L1).
2. قم ببسط مقبض دعامة الفلتر، واسحب الدعامة مع الفلتر إلى الخارج (الشكل L2).
3. استخدم قطعة قماش مبللة لإزالة أي غبار أو حطام من منطقة الفلتر.
4. قم بتركيب فلتر جديد أو نظيف في الدعامة.
5. ضع الدعامة في منطقة الفلتر، ثم قم ببطي المقبض.

دعامة الفلتر	L1-2	المقبض	L1-1
--------------	------	--------	------

تخزين المكنسة الكهربائية

1. اخلع مجموعة البطارية من المكنسة.
2. نظف المكنسة جيدًا قبل تخزينها.
3. خزن المكنسة في منطقة جافة جيدة التهوية، بحيث تكون في مكان مقفل أو عالٍ عن سطح الأرض بعيدًا عن متناول أيدي الأطفال. لا تقم بتخزين المكنسة على الأسمدة أو البنزين أو المواد الكيميائية الأخرى، أو بجوارها.

حماية البيئة

لا تتخلص من المعدات الكهربائية أو البطارية المستهلكة أو الشاحن في النفايات المنزلية! بل توجه بهذا المنتج إلى مركز إعادة تدوير معتمد ليكون متاحًا للفرز بشكل منفرد. تجب إعادة الآلات الكهربائية إلى مرفق إعادة تدوير صديق للبيئة.



المكونات البلاستيكية تكون سريعة التأثر بالأنواع المختلفة للمنظفات الموجودة بالسوق، وقد تتلف نتيجة استخدامها عليها. استخدم قطعة قماش نظيفة لإزالة الأوساخ والأتربة والزيت والشحم وما شابههم. **تحذير:** لا تسمح في أي وقت من الأوقات بلامسة سوائل الفرامل أو البنزين أو المنتجات القائمة على البترول أو الزيت المتغلغل أو ما شابههم للأجزاء البلاستيكية. لأن المواد الكيميائية قد تتسبب في تلف الأجزاء البلاستيكية أو وضعفها أو تدميرها، وهو ما قد يؤدي إلى وقوع إصابات خطيرة.

تحذير: للحد من خطر نشوب حريق، أو التعرض لإصابات شخصية، أو تلف المنتج بسبب حدوث دائرة قصر (ماس كهربائي)، لا تقم مطلقاً بغير الآلة أو مجموعة البطارية أو الشاحن في السوائل أو السماح للسوائل بالتدفق إلى داخلهم. قد تتسبب السوائل المسببة للتآكل أو الموصلة للكهرباء، مثل ماء البحر، وبعض المواد الكيميائية المتاحة تجارياً، والمبيضات أو المنتجات المحتوية على مبيضات، وما شابههم في حدوث دائرة قصر (ماس كهربائي).

تفريغ خزان الغبار

1. قم بإزالة غطاء منفذ التصريف لتفريغ السائل الموجود في خزان الغبار في وعاء أو مصرف مناسب، إذا كان ذلك متاحاً.
2. ازل مجموعة رأس الطاقة من خزان الغبار.
3. قم بإزالة حقيبة الغبار إذا كانت حقيبة الغبار مثبتة.
4. قم بإزالة جميع الأوساخ أو الحطام من خزان الغبار ونظفه بالماء والصابون الخفيف.
5. اترك خزان الغبار يجف قبل إعادة تجميع رأس الطاقة.

صيانة الفلتر

نظام التنظيف الذاتي للفلتر

1. قم بتوصيل خرطوم المكنسة الكهربائية بمنفذ مدخل الشفط الخاص بالمكنسة الكهربائية، وقم بتثبيت الطرف الآخر من الخرطوم بسدادة التنظيف الذاتي للفلتر (الشكل K1).
2. قم بتثبيت مجموعة البطارية، واضغط على زر الطاقة لتشغيل الآلة.
3. حدد وضع السرعة المطلوب واضغط على زر التشغيل/الإيقاف لتشغيل الآلة.
4. اضغط على زر التنظيف الذاتي للفلتر لتنظيف الفلتر (الشكل K2).

نصائح: لتحقيق أفضل تأثير للتنظيف، يوصى باختبار وضع "تربو" والضغط على زر التنظيف الذاتي للفلتر خمس مرات مع التثبيت لمدة 3 ثوانٍ في كل مرة.

K1-1	منفذ مدخل الشفط	K1-2	خرطوم المكنسة
K1-3	سدادة التنظيف الذاتي للفلتر	K2-2	زر التنظيف الذاتي للفلتر

غسل الفلتر

قم بإزالة مجموعة البطارية وافحص الفلتر عن طريق رفع مجموعة رأس الطاقة. إذا ظل الفلتر متسخاً بعد اتباع الخطوات الواردة في قسم "نظام التنظيف الذاتي للفلتر"، قم بإزالة الفلتر وشفطه بالماء البارد. اترك الفلتر حتى يجف تماماً وأعد تركيبه.

2. قم بتوصيل طرف USB-C لكابل الشحن المرفق بمنفذ USB-C في الريموت كبترون.
3. قم بتوصيل الطرف الآخر من كابل الشحن بمهايئ/شاحن طاقة USB متوافق (غير مرفق). قد يستغرق الأمر ما يصل إلى ساعتين لشحن بطارية فارغة بالكامل.
4. عند الانتهاء من الشحن، افصل كابل الشحن وأغلق غطاء منفذ USB-C لحماية منفذ USB-C من التلوث.

J3-1	غطاء منفذ USB-C	J3-2	منفذ USB-C
J3-3	كابل الشحن		

استخدام المكنسة الكهربائية

عملية الكس الرطب

- لا تستخدم حقيبة الغبار في أثناء عملية التنظيف الرطب بالمكنسة الكهربائية.
- قم بإيقاف تشغيل المكنسة الكهربائية على الفور عندما يمتلئ خزان الغبار. قم بإفراغ خزان الغبار في وعاء أو مصرف مناسب.
- قم بتنظيف الجزء الداخلي من خزان الغبار والفلتر والملحقات بشكل دوري، وكرر ذلك بمعدل أكبر عند استخدامها في تنظيف المواد الرطبة واللزجة.

عملية الكس الجاف

- تأكد من أن الفلتر جاف تماماً بعد الكس الرطب بالمكنسة الكهربائية أو استخدم فلترًا جافًا ثانيًا للكنس الجاف. ستعرض الفلاتر الرطبة أو المبللة للانسداد بالغبار أو تصبح عتقة.
- لتقليل التعرض لغبار السيليكات، استخدم حقيبة الغبار.
- قم بإيقاف تشغيل المكنسة الكهربائية على الفور عندما يمتلئ حقيبة الغبار أو خزان الغبار.
- قم بإفراغ خزان الغبار في وعاء أو مصرف مناسب.

تشغيل المنفاخ

تحذير: قم دائماً بارتداء أدوات حماية للعينين عند استخدام هذا الجهاز كمنفاخ.

تحذير: لا تنفخ المواد القابلة للاشتعال، مثل البنزين، أو تستخدمها في المناطق التي قد توجد فيها هذه المواد. فقد ينتج عن ذلك حريق.

تحذير: لا توجه تدفق الهواء في اتجاه الأشخاص أو الحيوانات الأليفة.

الصيانة

تحذير: لمنع التعرض لإصابات شخصية خطيرة، اخلع مجموعة البطارية من المنتج قبل إجراء أعمال الصيانة، أو التنظيف، أو تغيير المرفقات، أو إزالة المواد من الوحدة.

الصيانة العامة

تجنب استخدام المنظفات عند تنظيف الأجزاء البلاستيكية. غالبية

إقران الريموت كترول بالآلة (الشكل J2)

تم إقران الريموت كترول بالمكنسة الكهربائية في المصنع. ومع ذلك، في حالة تلف الريموت كترول أو فقده، اتبع الخطوات التالية لإقران الريموت كترول الجديد بالمكنسة الكهربائية.

1. قم بتثبيت مجموعة البطارية.
2. اضغط على زر الطاقة لتشغيل المكنسة الكهربائية.
3. اضغط لفترة طويلة على زر التشغيل/الإيقاف الموجود بالمكنسة الكهربائية إلى أن يومض مؤشر زر الطاقة باللون الأخضر ببطء.
4. اضغط على زر وضع "TURBO" (تربو) أو زر التشغيل/الإيقاف الموجود بالريموت كترول بمجرد أن يبدأ مؤشر زر الطاقة في الوميض باللون الأخضر ببطء.
5. سيومض مؤشر زر الطاقة باللون الأخضر بسرعة، ثم يضيء باللون الأخضر الثابت للإشارة إلى نجاح الإقران.

مؤشر الريموت كترول

توميرلار شوم لورتنك	المعنى	أرجلًا
يومض باللون الأخضر بسرعة	شحن بطارية الريموت كترول على وشك النفاذ.	اشحن الريموت كترول.
يومض باللون الأخضر ببطء	يتم شحن الريموت كترول.	لست في حاجة إلى اتخاذ أي إجراءات.
أخضر ثابت	اكتمل شحن الريموت كترول.	افصل الريموت كترول وكابل الشحن عن مصدر الطاقة.

ملاحظة: في أثناء التشغيل العادي، سيضيء مؤشر الريموت كترول مرة واحدة ثم ينطفئ عند الضغط على زر وضع "TURBO" (تربو) أو زر التشغيل/الإيقاف مرة واحدة.

إعادة شحن الريموت كترول (الشكل J3)

- يجب إعادة شحن البطارية الموجودة داخل الريموت كترول بشكل دوري.
- تحذير:** بالنسبة لبطارية ليثيوم-أيون القابلة لإعادة الشحن الموجودة داخل الريموت كترول، يرجى العلم بما يلي:
 - خطر نشوب حريق والتعرض لحروق.
 - لا تقم بتشميمها، أو تعريضها لحرارة أعلى من 60 درجة مئوية، أو حرقها في النيران.
 - لا تقم بعمل دائرة قصر (ماس كهربائي) بها.
 - إذا انتفخت بشكل زائد عن الحد، فتوقف عن استخدامها.
- 1. افتح غطاء منفذ USB-C.

يوومض باللون الأخضر 6 مرات، ثم ينطفئ.	وصل مستوى السائل في الخزان إلى الطرف السفلي من مستشعرات السوائل.	أوقف المكنسة الكهربائية، وأزل مجموعة البطارية، ثم قم بإفراغ الخزان وفقًا لتعليمات التفريغ.
يوومض باللون الأخضر بشكل مستمر.	خطأ في المكونات الإلكترونية.	تواصل مع قسم خدمة العملاء بشركة EGO طلبًا للمساعدة.

تحديد السرعة

وضع السرعة العادية

- في كل مرة يتم الضغط فيها على زر ضبط السرعة، سيتم تبديل السرعة بين المستوى العالي والمستوى المنخفض. مؤشر الهواء به لمبات خضراء تتوافق مع مستوى السرعة الحالي.
- ستحفظ المكنسة آخر ضبط مستخدم لسرعة الهواء، وستعود إليه عند إعادة التشغيل.

وضع "تربو"

- اضغط على زر "TURBO" (تربو)، فيضيء مؤشر "تربو" باللون الأخضر وتبدأ المكنسة في العمل على وضع "تربو" مباشرة، أي أعلى سرعة.
- عندما تكون في وضع "TURBO" (تربو)، اضغط على زر "تربو" مرة أخرى، أو اضغط على زر ضبط السرعة، أو زر التشغيل/الإيقاف، أو زر الطاقة، وسوف ينطفئ مؤشر وضع "تربو" وستخرج المكنسة الكهربائية من وضع "تربو".
- ملاحظة:** بعد الخروج من وضع "تربو"، ستتألف المكنسة السرعة العادية المضبوطة مسبقًا.

منظم الشفط (الشكل I)

عند التنظيف بالمكنسة الكهربائية، يمكن التحكم في تدفق الهواء عند طرف خرطوم المكنسة الكهربائية عن طريق تدوير منظم الشفط. أدر المنظم لكشف مخرج الهواء لتقليل الشفط، أو أدر المنظم لتغطية مخرج الهواء لزيادة الشفط.

هذه الميزة مفيدة بشكل خاص عندما يكون خرطوم المكنسة مغلقًا بالسجاد والملابس وما إلى ذلك، وأثناء الشفط، قم بإدارة المنظم لكشف مخرج الهواء، وسيتم تقليل الشفط.

I-1	منظم الشفط	I-1-2	مخرج الهواء
-----	------------	-------	-------------

الريموت كترول

- يمكن وضع الريموت كترول على خرطوم المكنسة الكهربائية في أثناء التنظيف بالمكنسة الكهربائية (الشكل J1).
- عندما يتم تشغيل المكنسة الكهربائية، يمكنك تشغيل/إيقاف المكنسة الكهربائية، أو تحويل الآلة إلى وضع "تربو" باستخدام الريموت كترول.
- ملاحظة:** لا يمكن للريموت كترول التبديل بين السرعة العادية المنخفضة أو العالية.
- يمكن أيضًا استخدام الريموت كترول كمصباح كهربائي للمناطق المظلمة، خاصة عند استخدام فوهة التجاوبف.

G1-1	فتحة التركيب	G1-2	دعامة
G2-1	زر تحرير البطارية		

D4-3	قضيب مطاخي	D4-4	أطراف القضيب
------	------------	------	--------------

تركيب/إزالة مجموعة رأس الطاقة

للتركيب، ادفع الأجزاء السفلية من مزالج خزان الغبار، وقم بخفض مجموعة رأس الطاقة إلى داخل خزان الغبار، ثم ادفع الأجزاء العلوية من مزالج خزان الغبار (الشكلان E1 و E2)

للإزالة، ادفع الأجزاء السفلية من خزان الغبار، ثم ارفع مجموعة رأس الطاقة (الشكل E3).

تركيب/إزالة كيس الغبار

1. افتح خزان الغبار وارفع مجموعة رأس الطاقة.

2. للتركيب، قم بإدخال لوحة حقيبة الغبار فقط في فتحة دعامة حقيبة الغبار إلى أن تسقط اللوحة أسفل الدعامة.

قم بفتح حقيبة الغبار يدويًا قبل جمع الغبار أو الحطام (الشكل F1).

للإزالة، ارفع اللوحة قليلاً فوق الدعامة، ثم اسحب اللوحة من الفتحة لإزالة حقيبة الغبار (الشكل F2).

F1-1	دعامة حقيبة الغبار	F1-2	فتحة
F1-3	حقيبة الغبار	F1-4	لوحة
F2-1	الدعامة		

التشغيل

الاستخدامات

يمكنك استخدام هذا المنتج للأغراض الموضحة أدناه:

يمكن شطف النفايات السائلة أو الغبار الجاف عند استخدام منفذ مدخل الشفط.

تعمل الآلة كمنفاخ عند استخدام منفذ مخرج النفخ.

تركيب/خلع مجموعة البطارية

لا تستخدم الآلة إلا مع مجموعات بطارية وشواحن EGO المدرجة في الشكل A3.

راجع دلائل تشغيل البطاريات والشواحن ذات الصلة للتعرف على مزيد من التفاصيل.

اشحن البطارية بالكامل قبل الاستخدام لأول مرة.

للتركيب

قم بمحاذاة دعامة البطارية مع فتحات التركيب، وحرك مجموعة البطارية إلى داخل المكنسة إلى أن تسمع صوت "قفرة" (الشكل G1).

للخلع

اضغط إلى أسفل على زر تحرير البطارية، واسحب مجموعة البطارية إلى الخارج (الشكل G2).

بدء تشغيل/إيقاف المكنسة الكهربائية رطب/جاف (الشكل H)

لبداء تشغيل المكنسة

1. تأكد من تركيب مجموعة رأس الطاقة في خزان الغبار، ومن أن خزان الغبار مغلق بإحكام. تأكد من توصيل خرطوم المكنسة وأنبوب (انابيب) التمديد المطلوبة والفوهة بشكل صحيح.

ملاحظة: تعمل المكنسة الكهربائية فقط عندما تكون مجموعة رأس الطاقة متصلة بشكل محكم بخزان الغبار.

2. قم بتركيب مجموعة البطارية.

3. اضغط على زر الطاقة لتشغيل المكنسة الكهربائية.

4. اضغط على زر ضبط السرعة لتحديد السرعة المنخفضة أو السرعة العالية، ثم اضغط على زر التشغيل/الإيقاف لبداء تشغيل المكنسة الكهربائية. أو

اضغط على زر وضع "تربو" لبداء تشغيل المكنسة الكهربائية مباشرة بأقصى سرعة.

ملاحظة: يمكن أيضاً ضبط السرعة في أثناء التنظيف بالمكنسة الكهربائية. لمزيد من المعلومات، راجع الفصل "تحديد السرعة".

لإيقاف المكنسة

1. بمجرد اكتمال عملية التنظيف بالمكنسة الكهربائية أو عندما يمتلئ خزان الغبار، اضغط على زر التشغيل/الإيقاف لإيقاف عملية التنظيف بالمكنسة الكهربائية مؤقتًا.

2. أو اضغط على زر الطاقة لإيقاف تشغيل المكنسة الكهربائية بالكامل.

3. اخلع مجموعة البطارية.

4. قم بإفراغ خزان الغبار في وعاء أو مصرف مناسب.

ملاحظة: ستستأنف المكنسة الكهربائية العمل على السرعة العادية المضبوطة مسبقاً عند إعادة التشغيل.

مؤشر زر الطاقة

زر رؤوم تقاطلاً	المعنى	أارجلاً
أخضر ثابت	وضع الاستعداد	لست في حاجة إلى اتخاذ أي إجراءات. سيتم إيقاف تشغيل المكنسة الكهربائية تلقائياً بعد مرور ساعة من عدم الاستخدام.
	الآلة تعمل كما ينبغي.	التشغيل العادي.

- لتوصيل الفوهة بخراطوم المكنسة مباشرة، قم بمحاذاة المقبض الموجود بالفوهة مع التجويف الموجود بخراطوم المكنسة، وأدخل الفوهة في خرطوم المكنسة إلى أن تسمع "نقرة". للفصل، اضغط مع التثبيت على زر التحرير لإزالة الفوهة.

D1-1	زر التحرير	D1-2	تجويف
D1-3	أنايبب التمديد (اختيارية)	D1-4	مقبض
D1-5	الفوهة		

فوهة التجاويف (الشكل D2)

يمكن تنظيف المناطق المظلمة بسهولة عند استخدام فوهة التجاويف مع الضوء المدمج بالريموت كنترول.

قم بتوصيل فوهة التجاويف بخراطوم المكنسة مع تثبيت الريموت كنترول على حامل الريموت كنترول الموجود بخراطوم المكنسة. اضغط على زر الضوء بالريموت كنترول، وسوف تضيء فوهة التجاويف الشفافة.

D2-1	فوهة التجاويف	D2-2	زر الضوء
D2-3	الريموت كنترول		

مهايئ الآلة العاملة بالطاقة (الشكل D2)

يسمح مهايئ الآلة العاملة بالطاقة بتوصيل المكنسة بآلة عاملة بالطاقة ذات منفذ غبار مقاس 32 مم.

مع توصيل خرطوم المكنسة بمنفذ الشفط الخاص بالمكنسة، أدخل مهايئ الآلة العاملة بالطاقة في المكنسة بقدر ما تستطيع إلى أن يتم تثبيت مهايئ الآلة العاملة بالطاقة في مكانه، ثم قم بتوصيل المهايئ بمخرج الغبار الخاص بالآلة العاملة بالطاقة.

⚠ تحذير: لا يمكن توصيل مهايئ الآلة العاملة بالطاقة بأنبوب (أنايبب) التمديد. قد يؤدي التثبيت القسري إلى تلف مهايئ الآلة العاملة بالطاقة أو أنبوب (أنايبب) التمديد.

D3-1	الآلة العاملة بالطاقة (غير مرفقة)	D3-2	مهايئ الآلة العاملة بالطاقة
D3-3	خرطوم المكنسة	D3-4	منفذ مدخل الشفط

فوهة الأرضيات الكبيرة + قضيب الفرشاة/القضيب المطاطي (الشكل D4)

يمكن دمج فوهة الأرضيات الكبيرة مع قضيب الفرشاة أو القضيب المطاطي.

افتح طرفي القضيب قليلاً واضغط على الأطراف إلى أسفل لإزالة القضيب من الفوهة.

للتثبيت القضيب، ادفع أطراف القضيب إلى داخل فتحات الفوهة إلى أن تسمع "نقرة".

D4-1	فوهة الأرضيات الكبيرة	D4-2	فتحات الفوهة
------	-----------------------	------	--------------

23. حامل الريموت كنترول

24. قضيب مطاطي

25. قضيب الغبار

26. كابل شحن الريموت كنترول

27. الريموت كنترول

28. فوهة فرشاة الغبار المستديرة

29. فوهة أرضيات مدمجة

30. مهايئ الآلة العاملة بالطاقة

31. زر الطاقة

32. زر البدء/الإيقاف

33. زر السرعة

34. مؤشر السرعة

35. زر وضع "تريو"

36. مؤشر وضع "تريو"

37. الفلتر

38. دعامة الفلتر

39. مستشعر السوائل (4x)

40. دعامة قضيب الغبار

41. منفذ التصريف

التجميع

توصيل/فصل خرطوم المكنسة

للتوصيل، ادفع طرف الخرطوم إلى داخل منفذ مدخل الشفط أو منفذ مخرج الفنج إلى أن تسمع "نقرة" (الشكل B1)

للفصل الخرطوم، اضغط مع التثبيت على أزرار تحرير الخرطوم لخلع الخرطوم (الشكل B2).

B1-1	خرطوم المكنسة	B1-2	منفذ مدخل الشفط
B1-3	منفذ مخرج الفنج	B2-1	أزرار تحرير الخرطوم

توصيل/فصل أنايبب التمديد (الشكل C)

قم بتوصيل أنبوب تمديد واحد أو اثنين في خرطوم المكنسة وفقاً لاحتياجاتك.

للتوصيل، أدخل الطرف الضيق لأنبوب التمديد في خرطوم المكنسة بقدر ما تستطيع إلى أن يتم تثبيت أنبوب التمديد في مكانه.

للفصل، اسحب أنبوب التمديد من خرطوم المكنسة.

يتم توصيل/فصل أنبوب التمديد الثاني بالأنبوب الأول بنفس الطريقة.

C-1	خرطوم المكنسة	C-2	طرف ضيق
C-3	طرف واسع	C-4	أنايبب التمديد

تركيب/إزالة الفوهات

اختر فوهة مناسبة لتثبيتها على خرطوم المكنسة مباشرة أو على أنبوب التمديد وفقاً لاحتياجاتك (الشكل D1)

- لتوصيل الفوهة بأنبوب التمديد، أدخل الفوهة في أنبوب التمديد بقدر ما تستطيع إلى أن يتم تثبيتها في مكانها. للفصل، اسحب الفوهة من أنبوب التمديد.

الوزن (من دون مجموعة البطارية)	12.1 كجم
درجة حرارة التشغيل الموصى بها	5- 40 درجة مئوية
درجة حرارة التخزين الموصى بها	20- 70 درجة مئوية

قائمة المحتويات (الشكلان 1A و2A)

الملحقات الموصى بها

⚠ تحذير: استخدم فقط الملحقات المذكورة أدناه، لأن استخدام ملحقات لا تتوافق مع مواصفات المعدات الأصلية قد يؤدي إلى الأداء غير السليم والتأثير بالسلب على الأمان.

اسم القطعة	رقم الطراز
حقائب غبار (5 قطع)	AVG0905
فلتر بديل	AVF0900

الوصف

تعرف على المكنتسة الكهربائية رطب/جاف (الشكلان 1A و2A)

- مجموعة رأس الطاقة
- المقبض
- صندوق تخزين الملحقات
- مزلاج خزان الغبار (2x)
- العجلة الخلفية (2x)
- خزان الغبار
- العجلة الصغيرة المسبوكة مع الفرامل (2x)
- غطاء منفذ التصريف
- فوهة التجاوبف
- منفذ مدخل الشفط
- لوحة التشغيل
- فتحات تخزين خرطوم المكنتسة
- منفذ مخرج النفخ
- موضع التخزين المؤقت للملحقات
- فوهة أرضيات كبيرة + قضيب فرشاة
- أنايب التمديد
- زر تحرير البطارية
- زر التنظيف الذاتي للفلتر
- سدادة التنظيف الذاتي للفلتر
- خرطوم المكنتسة
- زر تحرير الخرطوم
- منظم الشفط

هذا الجهاز غير مخصص للاستخدام من قبل الأشخاص (بما في ذلك الأطفال) من ذوي القدرات البدنية أو الحسية أو العقلية المحدودة أو من ليست لديهم خبرة أو معرفة، إلا في حال قيام شخص مسؤول بتقديم الإشراف أو التعليمات المتعلقة باستخدام الجهاز لهم من أجل سلامتهم.

- يجب الإشراف على الأطفال لضمان عدم عبثهم بالجهاز.
- لا تعرض الجهاز أو البطارية لدرجات حرارة زائدة.
- كن حذرًا من تعرض أطراف توصيل الجهاز العامل بالبطارية أو البطارية لدائرة قصر (ماس كهربائي) بسبب الأجسام المعدنية.
- يجب إخراج البطاريات القابلة لإعادة الشحن من الجهاز قبل الشحن.
- لا يجب الخلط بين الأنواع المختلفة للبطاريات، أو بطاريات جديدة مع أخرى قديمة.
- يجب خلع البطاريات المستهلكة من الجهاز والتخلص منها بشكل آمن.
- إذا كنت ستترك الجهاز دون استخدام لفترات زمنية طويلة، يجب خلع البطاريات.
- لا تستخدم البطاريات غير القابلة لإعادة الشحن بدلاً من البطاريات القابلة لإعادة الشحن.
- لا تستخدم البطاريات المعدلة أو التالفة.
- لا تستخدم أي مجموعات بطارية أو شواحن غير تلك المحددة للمنتج.

احفظ هذه التعليمات. راجعهم باستمرار واستخدمهم لتوجيه الآخرين عند استخدام هذه الآلة. إذا أعرت هذه الآلة شخصًا آخر، أعره أيضًا هذه التعليمات معها لمنع الاستخدام الخاطئ للمنتج والتعرض للإصابات المحتملة.

المواصفات

الجهد الكهربائي			56 فولت
سعة خزان الغبار			34 لترًا
وضع السرعة	منخفضة	عالية	وضع "تربو"
الحد الأقصى لتدفق الهواء (لتر/دقيقة)	1900	2500	3100
الحد الأقصى لقوة الشفط (باسكال)	10000	15900	24800
درجة حرارة الشحن	0 - 45 درجة مئوية		
الريمووت كنترول	الحد الأقصى للجهد الكهربائي للشحن	5 فولت	
	الحد الأقصى لتيار الشحن	1 أمبير	

اقرأ جميع التعليمات!

اقرأ جميع التعليمات! 

اقرأ دليل التشغيل

⚠️ **تحذير:** لضمان السلامة والاعتمادية، يجب تنفيذ جميع أعمال الإصلاح من قبل فني خدمة مؤهل.

رموز السلامة

الغرض من رموز السلامة هو جذب انتباهك إلى المخاطر المحتملة. رموز السلامة والشروح المصاحبة لها تستحق اهتمامك وفهمك الدقيق. تحذيرات كل رمز، بنفسها، لا تمنع وقوع أي خطر. التعليمات والتحذيرات التي تمنحك إيها لا تعد بديلاً عن تطبيق الإجراءات الملائمة لمنع وقوع الحوادث.

⚠️ **تحذير:** احرص على قراءة وفهم جميع تعليمات السلامة في دليل التشغيل هذا، بما في ذلك جميع رموز تنبيهات السلامة، مثل "خطر"، وتحذير، وتنبيه قبل استخدام هذه الآلة. عدم اتباع جميع التعليمات الواردة أدناه قد يؤدي إلى حدوث صدمة كهربائية أو نشوب حريق أو التعرض للإصابة الشخصية، أحدها أو جميعها.

معنى الرمز

⚠️ **رمز تنبيه السلامة:** يشير إلى خطر أو تحذير أو تنبيه، وقد يتم استخدامه بشكل متزامن مع الرموز أو الصور الكتابية الأخرى.

تعليمات السلامة

هذه الصفحة تصف وتشرح رموز السلامة التي قد تظهر على هذا المنتج. اقرأ جميع التعليمات المذكورة على الآلة وافهمها واتبعها قبل محاولة تجميع الآلة وتشغيلها.

للحد من خطر التعرض لإصابة، ينبغي على المستخدم قراءة دليل التشغيل.



تنبيه سلامة



تيار مستمر



لا يجب التخلص من الأجهزة الكهربائية المستهلكة في النفايات المنزلية. توجه بالجهاز إلى مركز إعادة تدوير معتمد.



تقييم المطابقة في المملكة المتحدة



هذا المنتج متوافق مع توجيهات شهادة الجودة الأوروبية (EC) المعمول بها.



لتر L

الحماية من تفتت الماء

IPX4

فولت V

كيلوجرام kg

لتر/دقيقة لتر في الدقيقة

درجة مئوية °C

باسكال Pa

⚠️ **تحذير:** اقرأ جميع التعليمات وافهمها. عدم اتباع جميع التعليمات الواردة أدناه قد يؤدي إلى حدوث صدمة كهربائية أو نشوب حريق أو التعرض للإصابة الشخصية، أحدها أو جميعها.

איתור וטיפול בבעיות

בעיה	סיבה	פתרון
לא ניתן להפעיל את שואב האבק.	<ul style="list-style-type: none"> טעינת מארז הסוללה חלשה. מארז הסוללה אינו מותקן כראוי. 	<ul style="list-style-type: none"> הטעינו את מארז הסוללה. דחפו את מארז הסוללה אל תא הסוללה עד שישמע „קליק“.
כוח שואב האבק חלש	<ul style="list-style-type: none"> קיימת סתימה בצינור שואב האבק או בכניסת היניקה. המסנן סתום על ידי אבק דק. מכל האבק מלא. טעינת מארז הסוללה חלשה. מכסה יציאת הניקוז מוסר ממכל האבק. 	<ul style="list-style-type: none"> בדקו ונקו את החסימה בצינור שואב האבק או בכניסת היניקה. נקו את המסנן בהתאם לסעיף "תחזוקת מסנן" במדריך זה. רוקנו את מכל האבק. הטעינו את מארז הסוללה התקינו את מכסה יציאת הניקוז על מכל האבק.
המכונה פועלת אך אין יניקה.	<ul style="list-style-type: none"> מכלול ראש המתח אינו מותקן על מכל האבק לחלוטין. 	<ul style="list-style-type: none"> ודאו שמכלול ראש המתח מותקן על מכל האבק לחלוטין.
אבק בורח מיציאת הנשיפה.	<ul style="list-style-type: none"> המסנן חסר או מותקן באופן שגוי. המסנן פגום. 	<ul style="list-style-type: none"> בדקו את המסנן להתקנה נכונה. החליפו במסנן חדש.
לא ניתן לשלוט על שואב האבק באמצעות השלט הרחוק.	<ul style="list-style-type: none"> השלט הרחוק אינו מזווג עם שואב האבק. טעינת השלט רחוק נמוכה. השלט הרחוק פגום. 	<ul style="list-style-type: none"> זווגו את השלט הרחוק עם שואב האבק בהתאם לפרק "זיווג שלט רחוק" במדריך זה. הטעינו את השלט הרחוק. השתמשו בשלט רחוק חדש ובצעו את זיווג השלט הרחוק.

אחריות

מדיניות האחריות של EGO

אנא בקרו באתר egopowerplus.eu עבור התנאים וההתניות השלמים של מדיניות האחריות של EGO.

החלפת המסנן (איור L1 ו-L2)

- ⚠ אזהרה:** בדקו את המסנן מעת לעת והחליפו אם הוא שחוק או פגום. שימוש במסנן פגום עלול להוביל לשחרור של מזהמים מוטסים לא רצויים מהמכל.
- הרימו את מכלול ראש המתח והניחו אותו בצד אחד (איור L1).
 - פתחו את ידית סוגר המסנן ומשכו את הסוגר עם המסנן החוצה (איור L2).
 - השתמשו בחתיכת מטלית לחה כדי להסיר אבק ופסולת מאזור המסנן.
 - התקינו מסנן חדש או נקי אל תוך הסוגר.
 - הניחו את הסוגר אל תוך אזור המסנן וקפלו את הידית.

L1-1	ידית	L1-2	סוגר מסנן
------	------	------	-----------

אחסון שואב האבק

- הסירו את מארז הסוללה משואב האבק.
- נקו את שואב האבק ביסודיות לפני אחסונו.
- אחסנו את שואב האבק במקום יבש, מאוורר היטב, נעול או במקום גבוה, הרחק מהישג ידם של ילדים. אין לאחסן את שואב האבק בקרבת חומרי דיזון, חומרי דלק או כימיקלים אחרים.

הגנה על הסביבה

אין לזרוק ציוד חשמלי, מטעני סוללות וסוללות ביחד עם אשפה ביתית! קחו מוצרים אלו למרכז מחזור מוסמך ו-וודאו שהם זמינים לאיסוף נפרד. יש להחזיר כלים חשמליים אל מתקן מחזור המתאים לסביבה.



⚠ אזהרה: על מנת להפחית את הסיכוי לשרפה, פציעה אישית ולא לגרום לנזק בשל קצר חשמלי, לעולם אין לטבול את המכונה, את הסוללה או את המטען בתוך נוזלים ואין לאפשר לנוזלים כלשהם לזרום לתוכם. נוזלים הגורמים לקורוזיה או נוזלים מולכים, כגון מי ים, כימיקלים תעשייתיים מסוימים ומלבינים או מוצרים המכילים מלבינים, עלולים לגרום לקצר.

ריקון מכל האבק

- הסירו את מכסה יציאת הניקוז כדי לרוקן נוזלים במכל האבק לתוך כלי קיבול מתאים או לנקז, אם קיים.
- הסירו את מארז הסוללה ממכל האבק.
- הסירו את שקית האבק אם שקית האבק מותקנת.
- נקו את כל הלכלוך או הפסולת ממכל האבק ונקה עם מים וסבון עדין.
- אפשרו למכל האבק להתייבש לפני הרכבה מחדש של מכלול ראש המתח.

תחזוקת מסנן

מערכת ניקוי עצמי של מסנן

- חברו את צינור שואב האבק ליציאת כניסת הניקה של שואב האבק והתקינו את הקצה השני של הצינור על תקע הניקוי העצמי של המסנן (איור K1).
- התקינו את מארז הסוללה, לחצו על לחצן ההפעלה כדי להפעיל את המכשיר.
- בחרו במצב מהירות רצוי ולחצו על לחצן ההפעלה כיבוי כדי להפעיל את המכונה.
- לחצו על לחצן הניקוי העצמי של המסנן על מנת לנקות את המסנן (איור K2).

טיפים: כדי להשיג את אפקט הניקוי הטוב ביותר, מומלץ לבחור במצב טורבו וללחוץ על לחצן הניקוי העצמי של המסנן חמש פעמים עם החזקה למשך 3 שניות בכל פעם.

K1-1	יציאת כניסת ניקה	K1-2	צינור שואב אבק
K1-3	תקע ניקוי עצמי של מסנן	K2-2	לחצן ניקוי עצמי של מסנן

שטיפת המסנן

הסירו את מארז הסוללה ובדקו את המסנן על ידי הרמת מכלול ראש המתח. אם המסנן עדיין מלוכלך לאחר ביצוע השלבים בסעיף "מערכת ניקוי עצמי של מסנן", הסירו את המסנן ושטפו אותו במים קרים. אפשרו למסנן להתייבש לחלוטין והתקינו אותו מחדש.

עבודה עם שואב האבק

מחונן שלט רחוק

פעולת שאיבת אבק רטובה

- אל תשתמשו בשקית האבק במהלך פעולת שאיבת אבק רטובה.
- כבו את שואב האבק מיד כאשר מכל האבק מלא. רוקנו את מכל האבק לתוך כלי קיבול או ניקוז מתאימים.
- נקו את פנים מכל האבק, המסנן והאביזרים מעת לעת, לעתים קרובות יותר כאשר משתמשים בהם לאיסוף חומרים רטובים ודביקים.

פעולת שאיבת אבק יבשה

- ודאו שהמסנן יבש לחלוטין לאחר שאיבת אבק רטובה או השתמשו במסנן יבש שני לשאיבת אבק יבשה.
- מסננים לחים או רטובים ייסתמו באבק או יהיו בעלי עובש.
- כדי להפחית את החשיפה לאבק סיליקה, השתמשו בשקית אבק.
- כבו את שואב האבק מיד כאשר שקית האבק או מכל האבק מלאים.
- רוקנו את מכל האבק לתוך כלי קיבול או ניקוז מתאימים.

פעולת מפוח

- ▲ **אזהרה:** יש ללבוש תמיד מגן עיניים בעת שימוש במכונה זו כמפוח.
- ▲ **אזהרה:** אין לפוצץ חומרים דליקים או נדלקים, כגון בנדין, או להשתמש באזורים שבהם חומרים כאלה עשויים להיות נוכחים. שריפה עלולה להיווצר.
- ▲ **אזהרה:** אין לכוון את זרימת האוויר לכיוון אנשים או חיות מחמד.

תחזוקה

- ▲ **אזהרה:** על מנת למנוע פציעות אישיות חמורות, הוציאו את מארז הסוללה מהמכשיר לפני ביצוע כל עבודות שירות, ניקיון, החלפת אביזרים או הוצאה של חומרים מן היחידה.

תחזוקה כללית

- הימנע משימוש בממסים כאשר אתה מנקה את חלקי הפלסטיק. רוב חלקי הפלסטיק עלולים להיזקק מסוגים שונים של ממסים מסחריים ועל ידי השימוש בהם. השתמשו במטלית נקיייה על מנת להסיר לכלוך, אבק, שמן, חומר סיכה וכו'.
- ▲ **אזהרה:** לעולם אל תאפשרו לנוזלי בלימה, בנדין, מוצרים מבוססי בנדין, שמנים וכו' לבוא במגע עם חלקי פלסטיק. חומרים כימיים עלולים להזיק, להחליש או להרוס את הפלסטיק והדבר עלול לגרום לפציעה אישית חמורה.

קוור טלש ויוחמ	פירוש	הלועפ
מהבהב בירוק מהיר	טעינת סוללת השלט הרחוק כמעט מתרוקנת.	הטעינו את השלט הרחוק.
מהבהב בירוק אטי	השלט הרחוק נטען.	אין צורך בפעולה.
אור ירוק יציב	טעינת השלט הרחוק הושלמה.	נתקו את השלט הרחוק ואת כבל הטעינה מאספקת החשמל.

הערה: במהלך פעולה רגילה, מחונן השלט הרחוק יידלק פעם אחת ואז יכבה כאשר לחצן הטורבו או לחצן ההפעלה/כיבוי נלחץ פעם אחת.

טעינת השלט הרחוק (איור J3)

מעט לעת יהיה צורך להטעין את הסוללה שבתוך השלט הרחוק.

▲ **אזהרה:** עבור סוללת ליתיום נטענת זו בתוך השלט הרחוק, אנא שימו לב להלן:

- סכנת שרפה וכוויות.
- אין לפתוח, לרסק, לחמם מעל 60 מעלות צלזיוס או לשרוף.
- אל תבצעו קצר של הסוללה.
- אם קיימות בליטות חמורות, הפסיקו את השימוש.

1. פתחו את מכסה יציאת ה-USB-C.
2. חברו את קצה ה-USB-C של כבל הטעינה הכלול ליציאת ה-USB-C בשלט הרחוק.
3. חברו את הקצה השני של כבל הטעינה למתאם/מטען USB תואם (לא כלול). ייתכן שתחלופנה עד כשתעתיים לטעינה של סוללה פרוקה במלואה.
4. בסיום הטעינה, נתקו את כבל הטעינה וסגרו את כיסוי יציאת ה-USB-C כדי להגן על יציאת ה-USB-C מפני לכלוך.

J3-1	מכסה יציאת USB-C	J3-2	יציאת USB-C
J3-3	כבל טעינה		

כדי לעצור את שואב האבק

1. לאחר השלמת שאיבת האבק או כאשר מכל האבק מלא, לחצו על לחצן ההפעלה/כיבוי כדי לעצור את שואב האבק באופן זמני.
2. או לחצו על לחצן ההפעלה כדי לכבות את שואב האבק לחלוטין.
3. הסירו את מארז הסוללה.
4. רוקנו את מכל האבק לתוך כלי קיבול או ניקוז מתאימים.

הערה: שואב האבק יחדש את הגדרת המהירות הרגילה הפעילה בעבר בעת ההפעלה מחדש.

מחונן לחצן המתח

חתימה ופירוט	פירוש	הלועפ
אור ירוק יציב	מצב המתנה	אין צורך בפעולות. שואב האבק יכבה אוטומטית לאחר שעה של חוסר פעילות
	המכשיר פועל כראוי.	פעולה רגילה.
מהבהב ירוק 6 פעמים, ואז מכבה.	מפלט הנוזל במכל מגיע לקצה התחתון של חיישני הנוזלים	עצרו את שואב האבק, הסירו את מארז הסוללה ולאחר מכן רוקנו את המכל בהתאם להוראות הריקון.
מהבהב ירוק ברציפות	שגיאת אלקטרוניקה	צרו קשר עם שירות לקוחות של EGO לקבלת עזרה

בחירת מהירות

מצב מהירות רגיל

- בכל פעם שלוחצים על לחצן התאמת המהירות, המהירות תעבור בין רמה נמוכה לרמה גבוהה. מחונן המהירות מציג אורות ירוקים התואמים לרמות המהירות הנכסחות.
- שואב האבק ישמור את הגדרת המהירות האחרונה ויחזור אליה עם ההפעלה מחדש.

בזרז בצמ

- לחצו על לחצן טורבו, מחונן הטורבו יידלק בירוק ושואב האבק יתחיל לעבוד ישירות במהירות טורבו, כלומר המהירות הגבוהה ביותר.

■ במצב טורבו, לחצו שוב על לחצן הטורבו, או לחצו על לחצן התאמת המהירות, לחצן ההפעלה/כיבוי או על לחצן ההפעלה - מחונן הטורבו יכבה ושואב האבק ייצא ממצב טורבו.

הערה: לאחר היציאה ממצב טורבו, שואב האבק יחדש את המהירות הרגילה הפעילה בעבר.

רגולטור יניקה (איור 1)

בעת שאיבת אבק, ניתן לשלוט על זרימת האוויר בקצה צינור שואב האבק על ידי סיבוב רגולטור היניקה. סובבו את הרגולטור כדי לחשוף את יציאת האוויר על מנת להפחית את היניקה, או סובבו את הרגולטור כדי לכסות את יציאת האוויר על מנת להגביר את היניקה.

תכונה זו שימושית במיוחד כאשר צינור שואב האבק אטום על ידי שטיחים, מטליות וכו' במהלך היניקה, סובבו את הרגולטור כדי לחשוף את יציאת האוויר, היניקה תפחת.

I-1	רגולטור יניקה	I-1-2	פתח יציאת האוויר
-----	---------------	-------	------------------

שלט רחוק

- ניתן למקם את השלט הרחוק על צינור שואב האבק במהלך שאיבת אבק (איור J1).
- כאשר שואב האבק מופעל, באפשרותכם להפעיל/לעצור את שואב האבק, או להעביר את המכונה למצב טורבו באמצעות השלט הרחוק.
- הערה:** השלט הרחוק לא יכול להעביר בין מהירות נמוכה רגילה או גבוהה.
- השלט הרחוק יכול לשמש גם כפנס לאזורים כהים, במיוחד בעת שימוש בזרובוית הנקי.

זיווג השלט הרחוק (איור J2)

השלט רחוק זווג עם שואב האבק במפעל. עם זאת, במקרים בהם השלט הרחוק פגום או אבוד, בצעו את השלבים הבאים כדי לזווג את השלט הרחוק החדש שלכם לשואב האבק.

1. התקינו את מארז הסוללה.
2. לחצו על לחצן ההפעלה כדי להפעיל את שואב האבק.
3. לחצו לחיצה ארוכה על לחצן ההפעלה/כיבוי של שואב האבק עד שמחונן לחצן ההפעלה מהבהב בירוק אטי.
4. לחצו על לחצן הטורבו או על לחצן ההפעלה/כיבוי בשלט הרחוק ברגע שמחונן לחצן ההפעלה מתחיל להבהב בירוק אטי.
5. מחונן לחצן ההפעלה יבהב בירוק מהיר ואז יאיר בירוק מלא כדי לציין שהזיווג הצליח.

הפעלה

יישום

ניתן להשתמש במוצר אך ורק לצורך המטרות המפורטות להלן:

■ ניקת פסולת נוזלית או אבק יבש כאשר משתמשים ביציאת כניסת הניקה.

■ מתפקד כמפוח כאשר משתמשים ביציאת הנשיפה.

הצמדה/הסרה של מארז הסוללה

יש להשתמש רק במארזי הסוללה והמטענים של EGO המפורטים באיור A3.

עיינו במדריכי הסוללות והמטענים התואמים לפרטים נוספים.

יש לבצע הטענה מלאה לפני השימוש הראשון.

חיבור

יישרו את עורקי הסוללה עם חריצי ההרכבה והחליקו את מארז הסוללה כלפי שואב האבק עד אשר יישמע "קליק" (איור G1).

הסרה

לחצו על כפתור שחרור הסוללה והוציאו את מארז הסוללה (איור G2).

G1-1	חריץ הרכבה	G1-2	עורק
G2-1	כפתור שחרור סוללה		

הפעלה/עצירה של שואב האבק הרטוב/יבש (איור H)

כדי להפעיל את שואב האבק

1. ודאו שמכלול ראש המתח מותקן על מכל האבק ומכל האבק נעול היטב. ודאו שצינור שואב האבק, צינורות הארכה המדרשים והזרבובית מחוברים כראוי.

הערה: שואב האבק פועל רק כאשר מכלול ראש המתח מחובר היטב למכל האבק.

2. התקינו את מארז הסוללה.

3. לחצו על לחצן ההפעלה כדי להפעיל את שואב האבק.

4. לחצו על לחצן כוונן המהירות כדי לבחור מהירות נמוכה או מהירות גבוהה, ולאחר מכן לחצו על לחצן ההפעלה/כיבוי כדי להפעיל את שואב האבק. לחלופין, לחצו על לחצן טורבו כדי להפעיל את שואב האבק ישירות במהירות המרבית.

הערה: ניתן לכוונן את המהירות גם במהלך שאיבת אבק. למידע נוסף עיינו בפרק "בחירת מהירות".

⚠ אזהרה: לא ניתן לחבר את מתאם הכלי החשמלי לצינורות ההארכה. כפייה בהתקנה עלולה לגרום נזק למתאם הכלי החשמלי או לצינורות ההארכה.

D3-1	כלי חשמל (לא מסופק)	D3-2	מתאם כלי חשמלי
D3-3	צינור שואב אבק	D3-4	יציאת כניסת יניקה

זרבובית רצפה גדולה + סרגל מברשות/סרגל גומי (איור D4)

ניתן לשלב את זרבובית הרצפה הגדולה עם סרגל המברשת או סרגל הגומי.

פתחו מעט את שני קצוות הסרגל והדחיקו את הקצוות כלפי מטה כדי להסיר את הסרגל מהזרבובית.

להתקנת הסרגל, דחפו את קצות הסרגל לחורי הזרבובית עד שיישמע "קליק".

D4-1	זרבובית רצפה גדולה	D4-2	חורים של זרבובית
D4-3	סרגל גומי	D4-4	קצוות סרגל

התקנה/הסרה של מכלול ראש המתח

להתקנה, דחפו את החלקים התחתונים של תפסי מכל האבק, הורידו את מכלול ראש המתח למכל האבק ואז דחפו את החלקים העליונים של תפסי מכל האבק (איור E1 E2).

להסרה, דחפו את החלקים התחתונים של מכל האבק ואז הרימו את מכלול ראש המתח (איור E3).

התקנה/הסרה של שקית האבק

1. פתחו את מכל האבק והרימו את מכלול ראש המתח.

2. **להתקנה,** הכניסו רק את לוחית שקית האבק לחריץ של סוגר שקית האבק עד שהלוחית תיפול במורד הצלעות. פתחו את שקית האבק ידנית לפני איסוף אבק או פסולת (איור F1).

להסרה, הרימו מעט את הלוחית מעל הצלעות ואז משכו את הצלחת מהחריץ כדי להסיר את שקית האבק (איור F2).

F1-1	סוגר שקית אבק	F1-2	חריץ
F1-3	שקית אבק	F1-4	לוחית
F2-1	עורקים		

C-1	צינור שואב אבק	C-2	קצה צר
C-3	קצה רחב	C-4	צינורות הארכה

התקנה/הסרה של הזרבוביות

בחרו זרבובית מתאימה להתקנה על צינור שואב האבק ישירות או על צינור ההארכה בהתאם לצרכים שלכם (איור D1)

■ כדי לחבר את הזרבובית לצינור ההארכה, הכניסו את הזרבובית לצינור ההארכה ככל האפשר עד שהיא מאובטחת במקומה. כדי לנתק, משכו את הזרבובית מצינור ההארכה.

■ כדי לחבר את הזרבובית לצינור שואב האבק ישירות, יישרו את הלחצן על הזרבובית עם החרוץ בצינור שואב האבק, הכניסו את הזרבובית לצינור שואב האבק עד שישמע "קליק". כדי לנתק, לחצו והחזיקו את הלחצן השחרור כדי להסיר את הזרבובית.

D1-1	כפתור שחרור	D1-2	חרוץ
D1-3	צינורות הארכה (אופציונלי)	D1-4	כפתור
D1-5	זרבובית		

זרבובית נקי (איור D2)

ניתן לנקות בקלות את האזורים הכהים בעת שימוש בזרבובית הנקי בשילוב עם האור המובנה של השלט הרחוק.

חברו את זרבובית הנקי לצינור שואב האבק והצמידו את השלט הרחוק על תושבת השלט הרחוק בצינור שואב האבק. לחצו על לחצן האור בשלט הרחוק וזרבובית הנקי השקופה תידלק.

D2-1	זרבובית נקי	D2-2	לחצן תאורה
D2-3	שלט רחוק		

מתאם כלי חשמלי (איור D3)

מתאם הכלי החשמלי מאפשר לשואב האבק להתחבר לכלי חשמלי עם שקע אבק של 32 מ"מ.

כאשר צינור שואב האבק מחובר ליציאת כניסת היניקה של שואב האבק, הכניסו את מתאם הכלי החשמלי לתוך שואב האבק ככל האפשר עד שמתאם הכלי החשמלי מאובטח במקומו ולאחר מכן חברו את המתאם לשקע האבק של הכלי החשמלי.

18. לחצן ניקוי עצמי של מסנן
19. תקע ניקוי עצמי של מסנן
20. צינור שואב אבק
21. לחצן שחרור צינור
22. רגולטור יניקה
23. הרכבת שלט רחוק
24. סרגל גומי
25. שקית אבק
26. כבל טעינה לשלט רחוק
27. שלט רחוק
28. זרבובית מברשת אבק עגולה
29. זרבובית רצפה קומפקטית
30. מתאם כלי חשמלי
31. לחצן הפעלה
32. לחצן הפעלה/כיבוי
33. לחצן מהירות
34. מחוון מהירות
35. לחצן טורבו
36. מחוון טורבו
37. מסנן
38. סוגר מסנן
39. חיישן נודלים (x4)
40. סוגר שקית אבק
41. יציאת ניקוז

הרכבה

חיבור/ניתוק צינור שואב האבק

כדי לחבר, דחפו את קצה הצינור ליציאת כניסת היניקה או ליציאת יציאת הנשיפה עד שישמע "קליק" (איור B1).

כדי לנתק, לחצו והחזיקו את לחצני שחרור הצינור כדי להסיר את הצינור (איור B2).

B1-1	צינור שואב אבק	B1-2	יציאת כניסת יניקה
B1-3	פתח יציאת מים	B2-1	לחצן שחרור צינור

חיבור/ניתוק צינורות הארכה (איור C)

חברו צינור הארכה אחד או שניים לצינור שואב האבק בהתאם לצרכים שלכם.

כדי לחבר, הכניסו את הקצה הצר של צינור ההארכה לצינור שואב האבק ככל האפשר עד שצינור ההארכה מאובטח במקומו.

כדי לנתק, משכו את צינור ההארכה מצינור שואב האבק. צינור ההארכה השני מחובר/מנותק לצינור הראשון באותו אופן.

טמפרטורת טעינה C°0 עד C°45	שלט רחוק	מקסימום מתח טעינה 5V
		מקסימום זרם טעינה 1A
		משקל (ללא מארז סוללה) 12.1 ק"ג
C°5- עד C°40	טמפרטורת הפעלה מומלצת	
C°20- עד C°70	טמפרטורת אחסון מומלצת	

רשימת אריזה (איור 1A ו-2A)

אביזרים מומלצים

⚠ אזהרה: השתמשו רק באביזרים המפורטים להלן. שימוש באביזרים אשר לא מתאימים למפרטים של הציוד המקורי עלולים להוביל לביצועים לא מתאימים ולפגוע בבטיחות הציוד.

שם חלק	מספר דגם
שקיות אבק (5 יח')	AVG0905
מסנן החלפה	AVF0900

תיאור

הכירו את שואב האבק הרטוב/יבש שלכם (איור 1A ו-2A)

- מכלול ראש המתח
- ידית
- תא אחסון אביזרים
- תפס מכל אבק (x2)
- גלגל אחורי (x2)
- מכל אבק
- גלגל יציקה עם בלם (x2)
- מכסה יציאת ניקוז
- זרבובית ניקי
- יציאת כניסת ניקה
- לוח מפעיל
- חריצי אחסון צינורות שואב אבק
- פתח יציאת מים
- אחסון זמני לאביזרים
- זרבובית רצפה גדולה + סרגל מברשות
- צינורות מאריכים
- כפתור שחרור סוללה

מכשיר זה אינו מיועד לשימוש על ידי אנשים (כולל ילדים) בעלי יכולות פיזיות, חושיות או נפשיות מוגבלות, אנשים עם חוסר ניסיון וידע, אלא אם כן ישנו מישהו המפקח עליהם וניתנו להם הוראות בנושא השימוש במכשיר על ידי אדם האחראי לביטחונם.

יש להשגיח על ילדים ולהבטיח שהם אינם משחקים עם המכשיר.

אין לחשוף את המכשיר או את הסוללה לטמפרטורות חריגות.

שים לב לסיכון שהמסופים של הסוללה או המכשיר המופעל באמצעות סוללה יקוצרו על ידי עצמים מתכתיים.

יש להוציא סוללות נטענות מהמכשיר לפני הטעינה.

אין לערב סוגים שונים של סוללות או סוללות חדשות ומשומשות.

יש להוציא סוללות ריקות מהמכשיר ולהשליך אותן בבטחה.

יש להוציא את הסוללות מן המכשיר אם לא נעשה בו שימוש במשך תקופה ארוכה.

אין להשתמש בסוללות שאינן נטענות במקום בסוללות נטענות.

אין להשתמש בסוללות ששוננו או ניזוקו.

יש להשתמש רק במארזי הסוללה ובמטענים המומלצים

יש לשמור על הוראות אלו. יש לעיין בהוראות לעתים תכופות ולעקוב אחריהן כדי שתוכלו להדריך אחרים העשויים להשתמש במכונה. אם אתם מלווים את המכונה למישהו אחר, תנו לו גם את ההוראות הללו על מנת למנוע שימוש לא נכון של המוצר או פגיעות אפשריות.

מפרטים

מתח 56V			מתח
34 ליטר			קיבולת מכל אבק
TURBO	גבוהה	נמוכה	מצב מהירות
3100	2500	1900	מקסימום זרימת אוויר (ליטר/דקה)
24800	15900	10000	מקסימום כוח ניקה (Pa)

קראו את כל ההוראות

קראו את מדריך ההוראות

אזהרה: על מנת להבטיח בטיחות ואמינות, יש לבצע את כל התיקונים וההחלפות בעזרת טכנאי שירות מוסמך.

סימני בטיחות

מטרתם של סמלי הבטיחות היא למשוך את תשומת לבך לסכנות אפשריות. סמלי הבטיחות וההסברים שלהם דורשים את תשומת הלב וההבנה המלאות שלך. סימני הבטיחות בעצמם לא ימנעו כל סכנה. ההוראות והאזהרות אותן הם מספקים לא תחלפנה נקיטת אמצעי מניעה מתאימים בעת תאונה.

אזהרה: ודאו שאתם קוראים ומבינים את כל ההוראות הבטיחות המופיעות במדריך זה למשתמש, כולל כל סימני התראות הבטיחות כגון „סכנה“, „אזהרה“ ו”זהירות“ לפני השימוש במכשיר. אי מילוי אחר כל ההוראות המופיעות למטה יכול לגרום להלם חשמלי, שרפה ו/או פציעות אישיות חמורות.

פירוש הסימן

סימן התראת בטיחות: מציינ סכנה, אזהרה, או זהירות, יכול להיות מלווה בסימנים או תמונות אחרים.

הוראות בטיחות

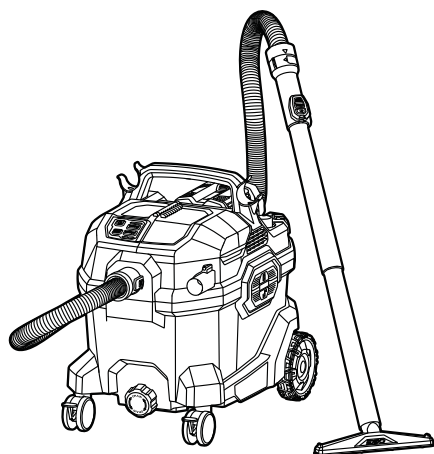
עמוד זה מציינ ומתאר את סימני הבטיחות העשויים להופיע על גבי המוצר. קראו, הבינו ועקבו אחר ההוראות המופיעות על המכשיר לפני כל ניסיון להרכיב ולהשתמש בו.

<p>כדי להפחית את הסיכון לפציעות, יש לקרוא את המדריך למשתמש.</p>		התראת בטיחות	
<p>זרם ישיר</p>		<p>אין לזרוק מוצרים חשמליים עם האשפה הביתית. הביאו את המכשיר למרכז מחזור מוסמך.</p>	
<p>הערכת התאמה בבריטניה</p>		<p>מוצר זה תואם לתקנות ה-CE הרלוונטיות.</p>	
<p>ליטר</p>	L	<p>הגנה מפני התזת מים</p>	IPX4
<p>וולט</p>	V	<p>קילוגרם</p>	kg
<p>ליטר לדקה</p>	ליטר/דקה	<p>צלזיוס</p>	°C
		<p>פסקל</p>	Pa

אזהרה: קראו והבינו את כל ההוראות. אי מילוי אחר כל ההוראות המופיעות למטה יכול לגרום להלם חשמלי, שרפה ו/או פציעות אישיות חמורות.

EGO™

POWER+ CLEANING



WDV0900E

שואב אבק רטוב/יבש אלחוטי ליתיום-יון
56 וולט

HE

מכנסה كهربائية رطب وجاف لاسلكية ببطارية
ليثيوم-أيون 56 فولت

AR

