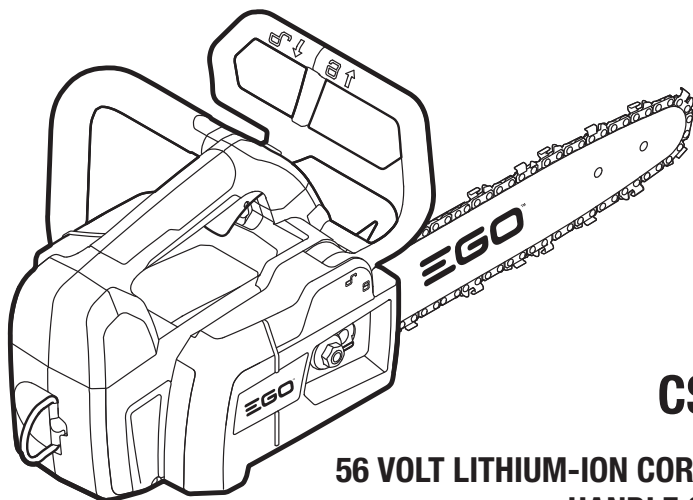


EGO™

PRO X

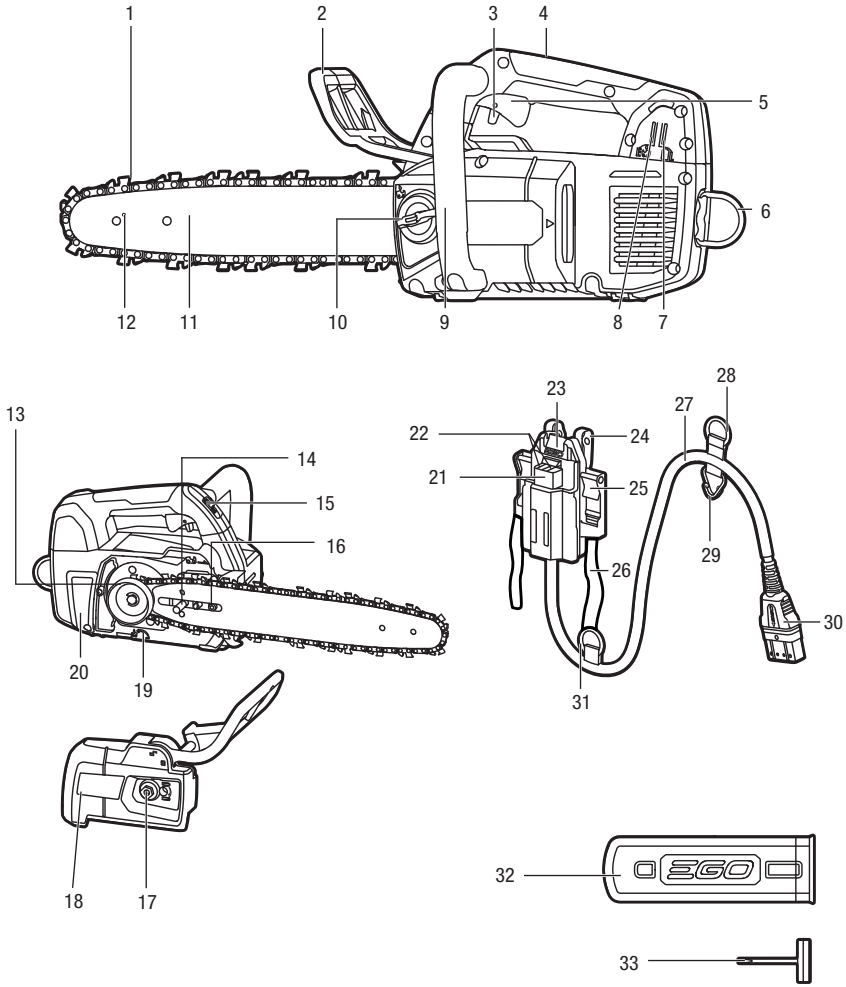


CSX3000

56 VOLT LITHIUM-ION CORDLESS TOP HANDLE CHAIN SAW

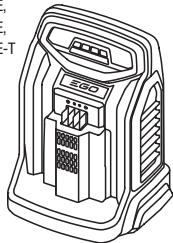
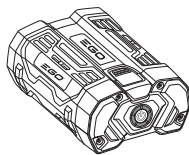
EN	56 volt lithium-ion cordless top handle chain saw	7	RO	Ferăstrău fără fir 56 volți litiu-ion cu mâner superior	128
DE	Top-Handle-Akkukettensäge (56 Volt, Lithium-Ionen)	14	SL	56-voltna litij-ionska brezžična verižna žaga z ročajem na vrhu	137
FR	Tronçonneuse à guidon supérieur sans fil lithium-ion 56 V	22	LT	56 voltų ličio jonų akumuliatorinis grandininis pjūklas su rankena viršuje	144
ES	Motosierra inalámbrica de empuñadura superior con batería de iones de litio de 56 voltios	30	LV	56 v litija jonu bezvadu ķēdes zāģis ar augšpusē izvietotu rokturi	151
PT	Motosserra com pega superior sem fios de ião de lítio de 56 volts	38	GR	Κλαδευτικό αλυστρίδιο μπαταρίας ιόντων λιθίου 56 volt	159
IT	Motosega cordless a impugnatura superiore Li-Ion 56 V	46	TR	56 volt lityum iyon bataryalı üstten tutmalı motorlu testere	167
NL	56v lithium-ion accukettingzaag met bovengreep	54	ET	56-voldine liitiumioonakuga juhtmevaba pealmise käepidemega kettsaag	174
DK	56v litium-ion-batteridrevet ledningsfri kædesav med tophåndtag	62	UK	56-вольтна літій-іонна акумуляторна ланцюгова пила з верхньою рукояткою	181
SE	56 volt litium-jon sladdlös topphandtagkedjesåg	69	BG	56-волтов литиево-йонен акумулаторен верижен трион с горна ръкохватка	189
FI	Langaton yläkahvalla varustettu moottorisaha 56 V:n litium-ioniakulla	76	HR	56-voltna litij-ionska akumulatorska lančana pila s drškom na vrhu	198
NO	56 volt litium-ion batteridrevet motorsag med topphåndtak	83	KA	56 ვოლტანი ლითიუმ-იონის უკაბელო ხერხი ზედა სახელურით	205
RU	Беспроводная цепная пила с верхней рукояткой и литий-ионным аккумулятором 56 В	90	SR	Bežična motorna testera sa gornjom drškom sa litijum-jonskom baterijom od 56 volti	215
PL	Pilarka akumulatorowa litowo-jonowa 56 woltów z uchwytem górnym	98	BS	Akumulatorska lančana žaga s gornjom ručkom i litij-ionskom baterijom od 56 V	222
CZ	56V litium-iónová akumulátorová řetězová píla s horní rukojetí	106	HE	מסור ידית עליונה אלחוטי עם סוללת ליתיום ין של 56 וולט	243
SK	56 V litium-iónová akumulátorová reťazová píla s hornou rukoväťou	113	AR	المنشار اليدوي العنقوي اللاسلكي ببطارية ليثيوم-أيون 56 فولت	236
HU	56 V litium-ión akkumulátoros egykezes lánctalpú rész	120			

A1

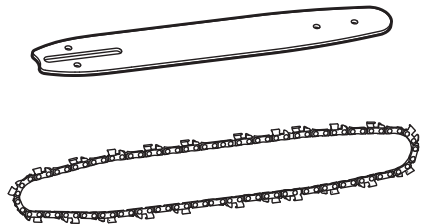


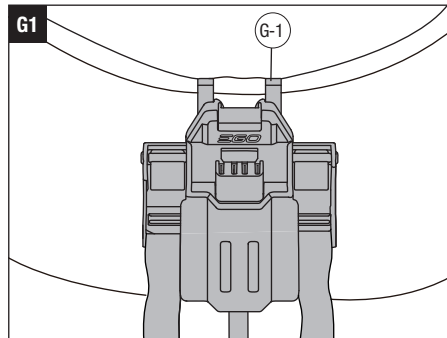
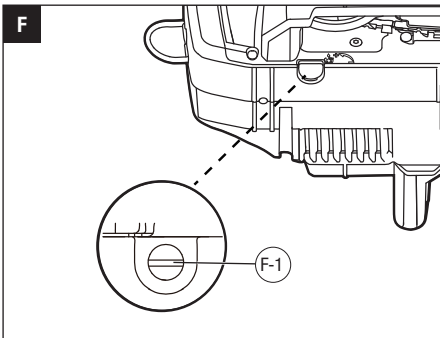
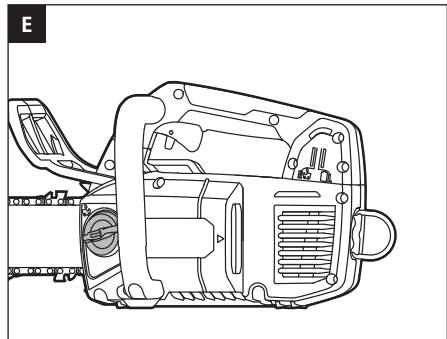
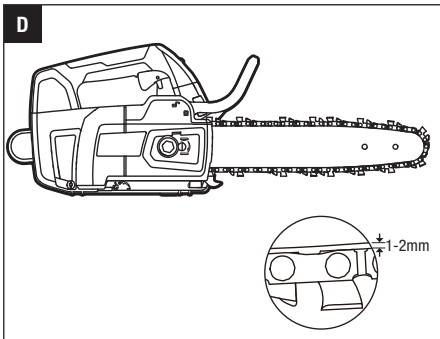
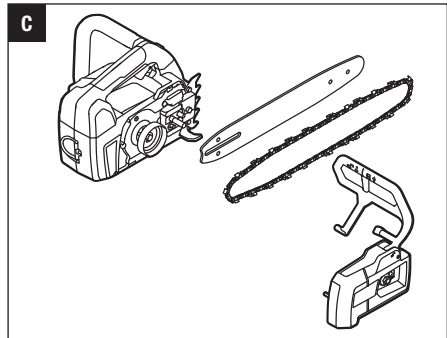
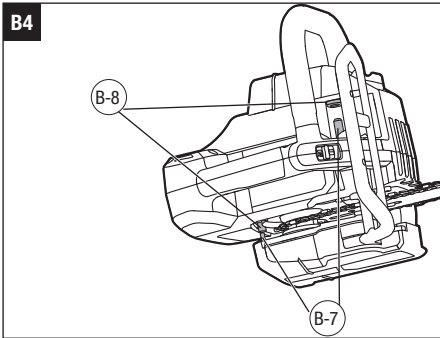
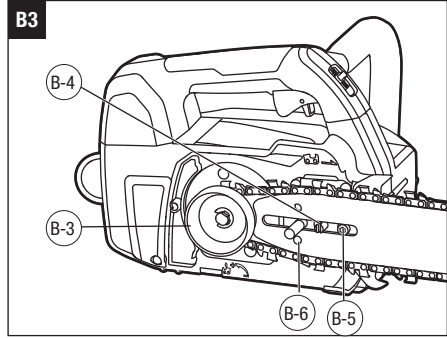
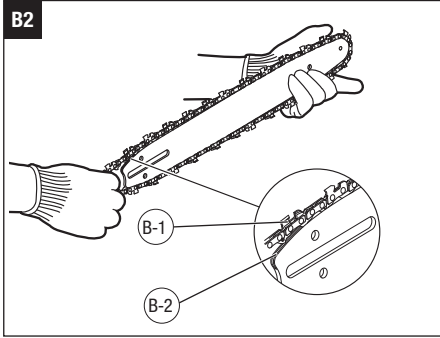
A2

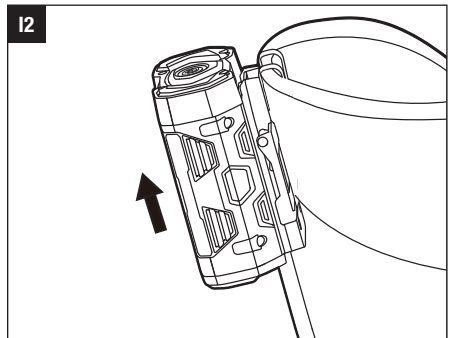
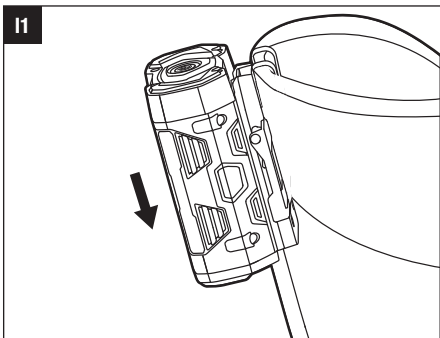
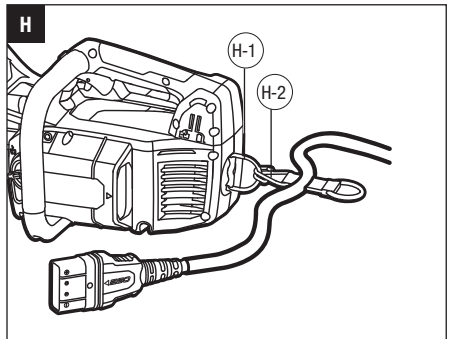
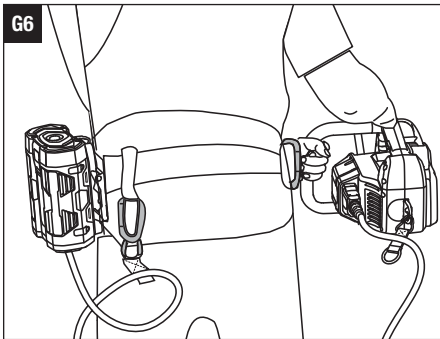
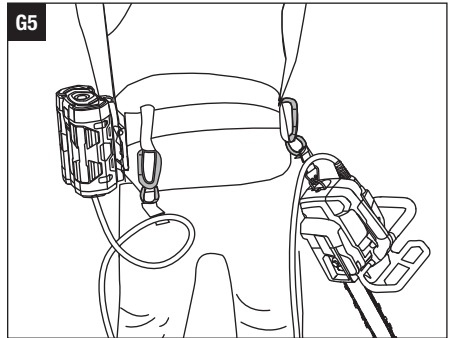
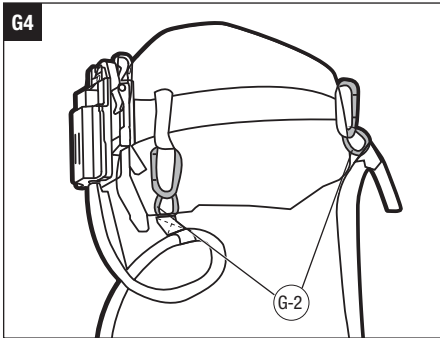
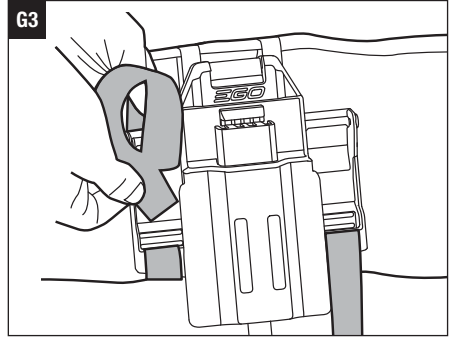
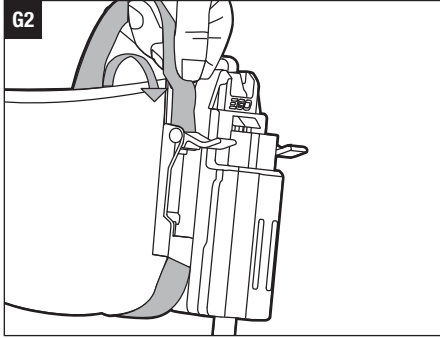
- | | |
|-------------------|-----------|
| BA1400, BA1400T, | CH5500E, |
| BA2240T, BA2242T, | CH2100E, |
| BA2800, BA2800T, | CH3200E, |
| BA3360T, BA4200, | CH7000E, |
| BA4200T, BA5600T, | CH7000E-T |
| BA6720T | |

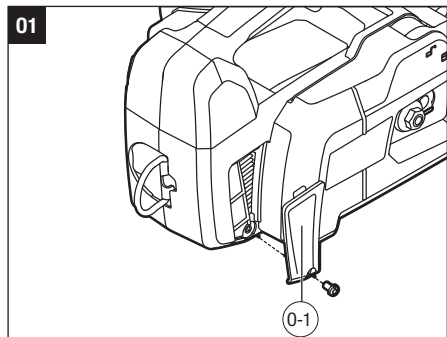
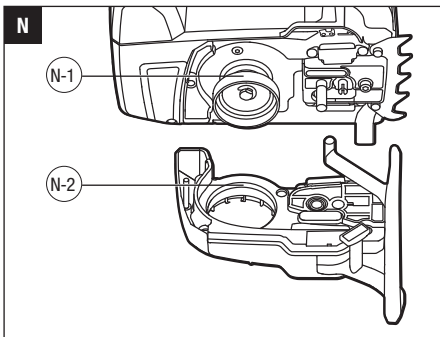
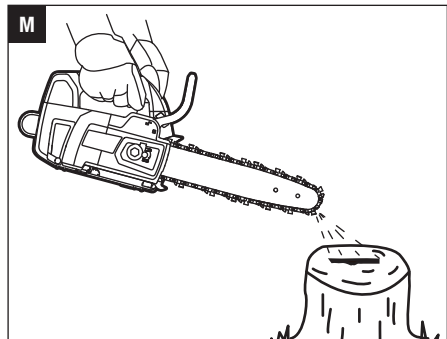
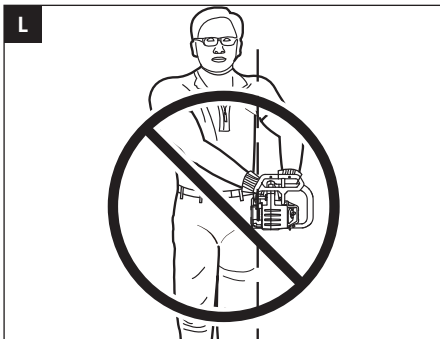
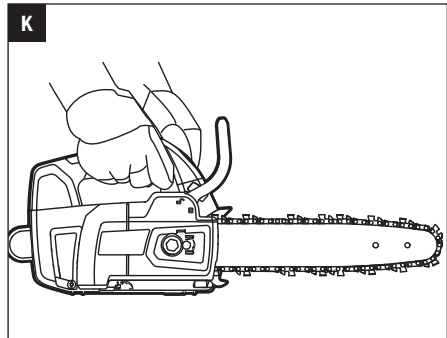
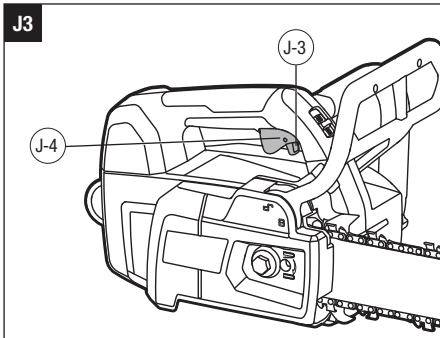
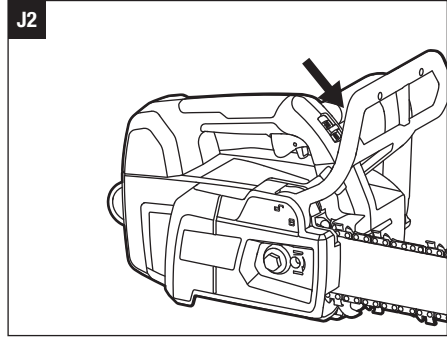
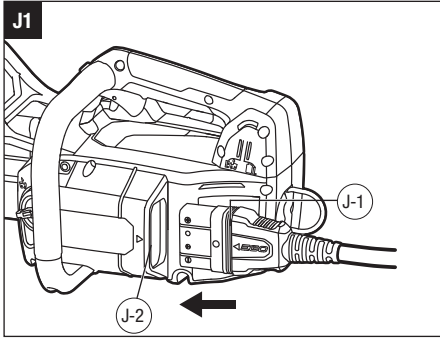


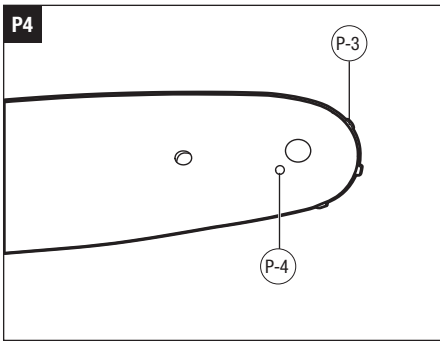
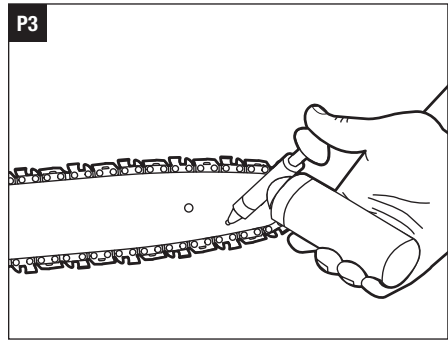
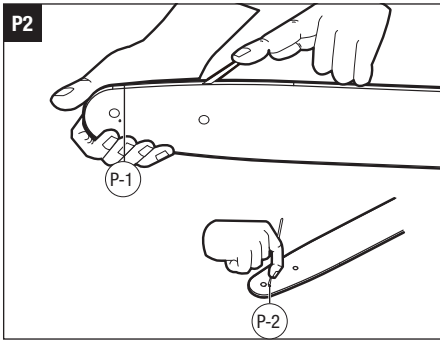
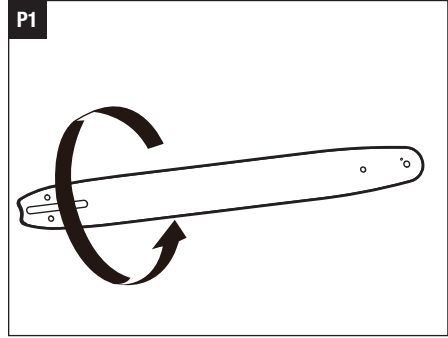
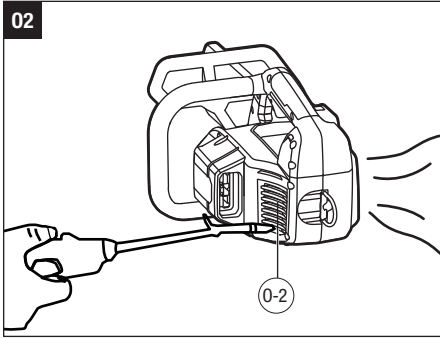
B1











READ ALL INSTRUCTIONS!



READ OPERATOR'S MANUAL

SAFETY SYMBOL

The purpose of safety symbols is to attract your attention to possible dangers. The safety symbols and the explanations with them deserve your careful attention and understanding. The symbol warnings do not, by themselves, eliminate any danger. The instructions and warnings they give are no substitutes for proper accident prevention measures.

⚠ WARNING: Be sure to read and understand all safety instructions in this Operator's Manual, including all safety alert symbols such as **"DANGER," "WARNING,"** and **"CAUTION"** before using this tool. Failure to follow all instructions listed below may result in electric shock, fire, and/or serious personal injury.

SYMBOL MEANING

This page depicts and describes safety symbols that may appear on this product. Read, understand, and follow all instructions on the machine before attempting to assemble and operate it.

SAFETY SYMBOLS



Safety Alert



Wear heavy-duty work gloves made of durable material.



Wear non-slip safety footwear.



Be Aware of Kickback- Contact of the guide bar tip with any object should be avoided



Guide Bar Tip Kickback- Tip contact can cause the guide bar to move suddenly upward and backward, which can cause serious injury.



This product is in accordance with applicable UK legislation.



Guaranteed sound power level.



This product is in accordance with applicable EC directives.

IPX5

Protection against water jets



To reduce the risk of injury, user must read and understand operator's manual before using this product.



Wear snug-fitting clothing. Do not wear a scarf, necktie or jewelry.



Wear close-fitting safety glasses, earplugs or ear muffs and a safety hard hat with chin strap.



Two Handed Hold- Always use two hands when operating the chain saw.



The information of guide bar.



Waste electrical products should not be disposed of with household waste. Take to an authorized recycler.



V Volt



Direct Current

EN SPECIFICATIONS

Voltage	56 V	
Recommended Operating Temperature:	-15°C-40°C	
Recommended Storage Temperature:	-40°C-70°C	
Optimum Charging Temperature	5°C-40°C	
Cutting Length	300 mm	
Chain speed	20 m/s	
Chain Pitch	3/8" (9.5mm)	
Chain Gauge	1.1 mm	
Saw Chain Type	AC1200(Recommend) AC1400/AC1401 (Compatible) AC1600/AC1601 (Compatible)	
Guide Bar Type	AG1200(Recommend) AG1400/AG1401 (Compatible) AG1600/AG1601 (Compatible)	
Chain Pitch	3/8" (9.5 mm)	
Chain Gauge	1.1 mm	
Specified number of drive sprocket teeth	6	
Chain Oil Tank Capacity	250 ml	
Weight (without battery pack, chain sheath)	3.5 kg	
Measured sound power level L_{WA}	98.8 dB(A) K=3 dB(A)	
Sound pressure level at working position L_{PA}	88.1 dB(A) K=3 dB(A)	
Guaranteed sound power level L_{WA} (according to 2000/14/EC)	102 dB(A)	
Vibration a_{th}	Front Handle	1.73 m/s ² K= 1.5 m/s
	Main Handle	2.21 m/s ² K= 1.5 m/s

- The declared vibration total value has been measured in accordance with a standard test method and may be used for comparing one tool with another;

- The declared vibration total value may also be used in a preliminary assessment of exposure.

NOTICE: The vibration emission during actual use of the power tool can differ from the declared value in which the tool is used; In order to protect the operator, user should wear gloves and ear protectors in the actual conditions of use.

DESCRIPTION

KNOW YOUR CHAIN SAW (Fig. A1)

- Saw Chain
- Kickback Brake Paddle
- Locking Tongue
- Main Handle
- Variable-Speed Trigger
- Eyelet
- Battery Indicator
- Low Oil-Indicator
- Front Handle
- Oil Tank Cap
- Guide Bar
- Lubricating Hole
- Sprocket
- Tensioning Screw
- ON-OFF Safety switch
- Guide Bolt
- Bar Nut
- Side Cover Assembly
- Oil-Flow Adjustment Screw Cover
- Dust Removal Cover
- Ejection Mechanism
- Electric Contacts
- Battery Release Button
- Belt Hook
- Buckle
- Strap
- Strop
- Ring 1
- Saw Hook
- Power Plug
- Ring 2
- Chain Sheath
- Combi-Wrench

PACKING LIST (FIG. A1)

ASSEMBLY


ASSEMBLING/ DISASSEMBLING THE BAR AND CHAIN

⚠ WARNING: Always disconnect the power plug, and wear protective gloves before you assemble or do maintenance on the product.

⚠ WARNING: Read all safety warnings, instructions, illustrations and specifications provided with this power tool. Failure to follow all instructions listed below may result in electric shock, fire and/or serious injury.

⚠ WARNING: Be sure to order the bar and the saw chain listed in this manual. Failure to follow it may result in serious injury.

Save all warnings and instructions for future reference.

1. Ensure the kickback brake paddle is set to  position.
2. Unscrew the **bar nut (A-17)** anticlockwise to take off the **side cover assembly (A-18)**.
3. Lay the saw chain in a loop on a flat surface and straighten any kinks (Fig. B1).
4. Place the **drive links (B-1)** into the **groove (B-2)** on guide bar and make the chain a loop at the back of the guide bar (Fig. B2).
5. Hold the chain in position on the guide bar and place the loop around the **chain sprocket (B-3)** of the power head and check the following items (Fig. B3):
 - a) Chain drive links are seated in the teeth of **chain sprocket (B-3)**.
 - b) **Tensioning screw (B-4)** and **guide bolt (B-5)** locates in the slot of guide bar. **Tensioning pin (B-6)** is engaged in the hole of guide bar.

NOTICE: Make sure that the direction of the arrows on the saw chain teeth is always facing forward (Fig. B3).

6. Refer to the section “**TENSIONING THE SAW CHAIN**” to ensure the chain is properly assembled without binding.
7. Align two **guide rods (B-7)** of the side cover assembly with respective **holes (B-8)** in the saw, then fit the side cover assembly (Fig. B4).
8. Tighten the bar nut.

B-1	Drive Links	B-5	Guide Bolt
B-2	Groove	B-6	Tensioning Pin
B-3	Chain Sprocket	B-7	Guide Rods
B-4	Tensioning Screw	B-8	Holes

NOTICE: If the guide bar needs to be replaced, disassemble the side cover assembly and reassemble it with the new guide bar as Fig. C shown.

OPERATION

Before each use, inspect the entire product for damaged, missing, or loose parts such as screws, nuts, bolts,

etc. Securely tighten all fasteners and caps and do not operate this product until all missing or damaged parts are replace.

⚠ WARNING: Some national regulation can restrict the use of the machine.

⚠ WARNING: When tired, ill or under the influence of alcohol or other drugs, please do not operate the machine.

NOTE: If the machine is out of control, such as kickback, please turn off the power immediately.

APPLICATION

The product may be used in rain.

- This chain saw is designed specifically for in-tree surgery and maintenance.



This saw should only be used by persons who are specially trained in tree maintenance work.

NOTICE: Recommendation that the first-time user should, as a minimum, practice cutting logs on a saw-horse or cradle.

TENSIONING THE SAW CHAIN

⚠ WARNING: Never touch or adjust the chain while the motor is running. The saw chain is very sharp; always wear protective gloves when performing maintenance to the chain.

The saw chain expands or contracts during normal saw operation. Chain tension changes as a result. Check chain tension regularly during operation and readjust if necessary.

1. Switch off the chainsaw, engage the chain brake and disconnect the power plug.
2. Loosen the bar nut, so that the guide bar can move freely for future adjustment.
3. Hold the bar nose up, and adjust the tension screw until the following points apply:
 - a) Chain sag in the center of the bar is around: 1 - 2 mm (Fig. D).
 - b) Disengage the chain brake, ensure chain can be pulled along the bar with two fingers.

NOTICE: Carefully perform this step to avoid personal injuries. Due to this DC motor contains magnetic material, compare with conventional gasoline chain saw, when you run the saw chain by two fingers, you'd feel a certain amount of resistance. It is not as smooth as you do with gasoline chain saw.

4. Hold the bar nose up and tighten the bar nut.

NOTICE: If chain sag in the center of the bar is not 1 - 2 mm, readjust chain tension.

FILLING OILTANK

1. Disconnect the battery pack from the chain saw.
2. Position the chain saw on its side on a firm, flat surface, so that the oil-tank cap is facing upwards. Open the oil-tank cap. If it is too tight, use the slot-head of the combi-wrench (provided) to loosen it (Fig. E).
3. Carefully pour the oil into the oil tank. Fill to the bottom of the fill neck. Wipe off any excess oil and close it.

NOTICE:

- The chain saw is not filled with oil at the time of purchase. It is essential to fill the tank with oil before use. The chain is automatically lubricated with chain oil during operation.
- It is specially designed to provide low friction and faster cuts.
- Never use oil or other lubricants not specifically designed for use on the bar and chain. This can lead to a clogged oil system, which may cause premature wear of the bar and chain.

ADJUSTING OIL-FLOW (Fig. F)

- This saw is equipped with an **Oil-Flow Adjustment Screw (F-1)**, located on the bottom of the tool, it is used to adjust the oil flow for lubricating the chain, bar and cutting system. Increasing or reducing the oil-flow in the direction of arrows as marked on the housing.

LED INDICATOR ON THE CHAIN SAW

The chain saw is equipped with 2 LED indicators to indicate oil status and the charge level of the battery pack(s).

LED indicator		Meaning	Action
Low oil-indicator (A-8)	Flashing red	Oil shortage	Fill the oil tank
	Off	Has the oil	/
Battery indicator (A-7)	Shining green	Battery pack has the power	/
	Flashing green	Battery pack is nearly depleted and needs to be charged immediately.	Charge the battery

ATTACHING THE BATTERY HOLSTER TO THE CLIMBING HARNESS

This chainsaw comes with a battery holster, it is used to carry the battery pack and allows to be attached to the climbing harness (not provided).

NOTICE: Fastening the battery holster firmly onto the climbing harness, prior to wear the climbing harness.

▲ WARNING: The climbing harness with quick-release function need to be prepared to prevent the emergency occurs.

1. Seek a preferable point for hanging this battery holster on the climbing harness, hang the battery holster on the climbing harness by using the **belt hook (G-1)** (Fig. G1).
2. Wrap the belt around the climbing harness to fix battery holster in place (Fig. G2 & G3).
3. Attach two **rings (G-2)** of safety strop to the climbing harness by using two karabiners (not provided), as shown in Fig G4.

G-1	Belt Hook	G-2	Rings
-----	-----------	-----	-------

NOTICE:

- When climbing the tree, attaching the ring 1 & 2 of the safety strop to the climbing harness by using karabiners(not provided) (Fig. G5).
- When the tool is in use, detach the ring 2 from the climbing harness, hold the saw by two hands to perform your cutting (Fig. G6).

SECURING THE SAW TO BATTERY HOLSTER

Attach the **saw hook (H-2)** of safety strop to the **eyelet (H-1)** (Fig. H).

H-1	Eyelet	H-2	Saw Hook
-----	--------	-----	----------

INSTALLING/REMOVING BATTERY PACK

NOTICE: Fully charge the battery pack before its first use.

To Install (Fig. I1)

Align the ribs of the battery pack with the mounting slots then slide the battery pack into the battery holster until it snaps into position.

To Remove (Fig. I2)

Press the battery release button with your thumb to remove the battery pack.

STARTING/STOPPING THE CHAIN SAW

To Start

1. Align the "▲" marks on the **power plug(J-2)** and the chain saw's **electric socket(J-1)**, then insert the plug into the chain saw until the GREEN seal on the plug COMPLETELY disappears into the socket (Fig.J1).

2. Push the “ON/OFF” switch to position “**ON**” (Fig. J2).
3. Pull the kickback brake paddle towards the main handle to the position.
4. Move the **locking tongue (J-3)** forwards and then press the **variable-speed trigger (J-4)**. The more you pull up the variable-speed trigger, the higher rotating speed the saw chain is (Fig. J3).

J-1	Electric Socket	J-3	Locking Tongue
J-2	Power Plug	J-4	Variable-speed Trigger

To Stop

1. Release the variable-speed trigger to stop the chain saw.

NOTICE: The saw chain will continue to rotate for a short while after the variable-speed trigger is released. Take care to avoid contact after releasing the variable-speed trigger and when setting down the chain saw.

2. Push the kickback brake paddle forward to the brake position “”.
3. Turn the “ON-OFF” switch to position “**OFF**”.

⚠ WARNING: Always disconnect the power plug from the chain saw during work breaks and after finishing work.

PREPARATION FOR CUTTING

Proper Grip On Handles (Fig. K)

- Wear non-slip gloves for maximum grip and protection.
- Always grasp the front handle with the left hand and the main handle with the right hand.
- The fingers should encircle the handle, with the thumb wrapped under the front handle.

⚠ WARNING: Never use a left-handed (cross-handed) grip, or any stance which would place your body or arm across the chain line.

⚠ WARNING: Do not operate the trigger switch with your left hand and hold the front handle with your right hand. Never allow any part of your body to be in the chain line while operating a chain saw (Fig. L).

CHECKING CHAIN LUBRICATION (Fig. M)

NOTICE: Ensure oil tank of the chain saw have been filled with proper volume of chain oil.

1. Hold the guide bar above a light colored surface.
2. Switch on the saw. You will see a clear line of oil on the light colored surface after 1 minute, if Chain lubrication is operating properly.

3. If chain oil is still not visible on the light colored surface, Refer to the section “**ADJUSTING OIL-FLOW**” to adjust it

OPERATING IN THE TREE

⚠ WARNING: When working or climbing, it is recommend to use the additional support , such as foot stirrup, adjustable lanyard to prevent a swing or a cutting accident.

Before using it , please check following points:

- Check the wear marks on the **chain sprocket (N-1)**, If wear marks are deeper than 0.5 mm: contact your EGO servicing dealer to replace the chain sprocket.
- Also check the braking system , if wear marks on the **brake lining (N-2)** are uneven, contact your EGO servicing dealer to replace the brake lining must be replaced (Fig. N).

N-1	Chain Sprocket	N-2	Brake Lining
-----	----------------	-----	--------------

- Check the guide bar see related section: **GUIDE BAR MAINTENANCE**
- Check the saw chain see related section: **CHAIN MAINTENANCE**
- Testing the chain brake see related section: **KICKBACK SAFETY DEVICES ON THIS**

CHAIN SAW

- Check the controls see related section: **STARTING/STOPPING THE CHAIN SAW**
- Check the chain lubrication see related section: **CHECKING CHAIN LUBRICATION**

MAINTENANCE

CLEANING

- After each use, clean debris from the chain and guide bar with a soft brush. Wipe the chain saw surface with a clean cloth moistened with a mild soap solution.
- For deep clearing, remove the side cover assembly, take down the guide bar and saw chain and then use a soft brush to thoroughly remove debris from the guide bar, saw chain, and the drive sprocket on the chain saw power head.
- Always clean out wood chips, saw dust, and dirt from the guide bar groove when replacing the saw chain.

REMOVE DUST

1. Disconnect the power plug, allow the chain saw to cool and tighten the oil-tank cap.
2. Engage the saw brake

- Use combi-wrench (provided) to loosen the screw of **dust removal cover (0-1)** to open it (Fig. 01).
- Clean up the sawdust and chips accumulated in the cooling fin by using compressed dry air, blow it from the opposite side **air inlet (0-2)** (Fig. 02).

0-1	Dust Removal Cover	0-2	Air Inlet
-----	--------------------	-----	-----------

GUIDE BAR MAINTENANCE

When the guide bar shows signs of wear, disassemble it from the chain saw power head and reverse it for reassembly (Fig.P1), in which case it will distribute the wear for maximum bar life.

The bar should be cleaned (including **bar rails (P-1)** and **lubricating hole (P-2)**) every day of use and checked for wear and damage (Fig. P2). Feathering or burring of the bar rails is a normal process of bar wear. Such faults should be smoothed with a file as soon as they occur. A bar with any of the following faults should be replaced.

Wear inside the bar rails which permits the chain to lay over sideways.

- Bent guide bar.
- Cracked or broken rails.
- Spread rails.

The guide bar has a sprocket at its tip. The sprocket must be lubricated weekly with a grease syringe to extend the guide bar life (Fig. P3 & P4). Turn the **nose sprocket (P-3)** while pumping the **translucent yellow, translucent red or translucent** grease into the **lubricating hole (P-4)** until the entire sprocket has new grease. Do not push dirt into the hole.

P-1	Bar rails	P-3	Sprocket
P-2	Lubricating Hole	P-4	Lubricating Hole

CHAIN MAINTENANCE

Use only low-kickback chains on this saw. This fast cutting chain will provide kickback reduction when properly maintained.

A properly sharpened saw chain cuts through wood effortlessly, even with very little pressure. Never use a dull or damaged saw chain. A dull saw chain cutter leads to increased physical strain, increased vibration load, unsatisfactory cutting results, and increased wear.

For smooth and fast cutting, the chain needs to be maintained properly. The chain requires sharpening when the wood chips are small and powdery, the chain must be forced through the wood during cutting, or the chain cuts to one side. During maintenance of your chain, consider the following:

- Improper filing angle of the side plate can increase the risk of a severe kickback.
- Depth gauge clearance. Too low increases the potential for kickback. Not low enough decreases cutting ability.
- If cutter teeth have hit hard objects, such as nails and stones, or have been abraded by mud or sand on the wood, have the chain sharpened by a qualified service technician.

NOTICE: it is recommended to have sharpening and maintenance of the **saw chain** performed by authorized service centers.

TRANSPORTING AND STORING

- Do not store or transport the chain saw when it is running. Always disconnect the power plug before storing or transporting.
- Always place the guide bar sheath on the guide bar and chain before storing or transporting the chain saw. Use caution to avoid the sharp teeth of the chain.
- Clean the chain saw thoroughly before storing. Store the chain saw indoors, in a dry place that is locked and/or inaccessible to children.
- Keep away from corrosive agents such as garden chemicals and de-icing salts.

Protecting the environment



WEEE (Waste Electrical and Electronic Equipment) Do not dispose of electrical equipment, used battery and charger into household waste! Take this product to an authorized recycler and make it available for separate collection. Electric tools must be returned to an environmentally compatible recycling facility.

TROUBLESHOOTING

EN

PROBLEM	CAUSE	SOLUTION
Motor does not start.	<ul style="list-style-type: none"> ■ The power plug of battery holster is not attached to the chain saw. ■ No electrical contact between the battery holster and battery. ■ The locking tongue is not folded up. ■ The “ON-OFF” switch is positioned to “OFF”. ■ Chain brake is engaged. 	<ul style="list-style-type: none"> ■ Insert the power plug of battery holster to the chain saw. ■ Detach battery, check contacts and reinstall the battery pack. ■ Fold up the locking tongue before starting. ■ Turn the “ON-OFF” switch to “ON”. ■ Pull the chain kickback brake paddle backward toward the top handle, arriving at the operating position.
Chain saw stops running during working.	<ul style="list-style-type: none"> ■ The battery pack or chain saw is too hot. ■ The chain saw is overloaded. ■ Too much bits of wood blocks the ventilation channel. ■ The battery pack is depleted. 	<ul style="list-style-type: none"> ■ Cool the battery pack or chain saw. ■ Decrease the load. ■ Clean the dust refer to the “REMOVE DUST” part. ■ Charge the battery pack.
Chain brake does not engage.	<ul style="list-style-type: none"> ■ Debris preventing full movement of the chain kickback brake handle. ■ Possible chain brake malfunction. 	<ul style="list-style-type: none"> ■ Clean debris from external chain brake mechanism. ■ Contact EGO Customer Service for repair.
No oil lubrication when cutting.	<ul style="list-style-type: none"> ■ Chain oil tank is empty. ■ The oil outlet of chain bar is blocked. ■ Oil solidification in low temperature. 	<ul style="list-style-type: none"> ■ Filling bar and chain lubricant. ■ Clean up the dust in the oil outlet. ■ Change the proper lubricating oil (suit for low temperature).
Low oil-indicator flashes in red color or showing abnormal light while the oil tank filled with oil.	<ul style="list-style-type: none"> ■ Special use angle of the machine causing the oil in the oil tank not enter to enter the oil pipe. ■ The category and color of oil is not recommended. ■ Low oil-indicator still flashing red. 	<ul style="list-style-type: none"> ■ Place the chain saw flat and try again. ■ Use the recommended translucent yellow, translucent red or translucent oil ■ Contact EGO Customer Service for repair
Low oil-indicator does not work while the oil tank is short of oil.	<ul style="list-style-type: none"> ■ The category and color of oil cannot be identified. ■ A small amount of oil still in the oil tank or oil pipe. ■ Low oil-indicator still not work for the above reasons. 	<ul style="list-style-type: none"> ■ Use the recommended translucent yellow, translucent red or translucent oil. ■ Use chain saw for a while and then observe low oil-indicator again. ■ Contact EGO Customer Service for repair.

WARRANTY

EGO WARRANTY POLICY

Please visit the website egopowerplus.eu for full terms and conditions of the EGO Warranty policy.

ALLE ANWEISUNGEN LESEN!

DE


LESEN SIE DIE BETRIEBSANLEITUNG

WARNSYMBOL

Der Zweck von Warnsymbolen besteht darin, Ihre Aufmerksamkeit auf mögliche Gefahren zu lenken. Die Warnsymbole und deren Erklärungen verdienen Ihre vollste Aufmerksamkeit und Beachtung. Durch die Warnsymbole allein sind die Gefahren noch nicht ausgeschaltet. Die Anweisungen und Warnhinweise stellen keinen Ersatz für angemessene Unfallverhütungsmaßnahmen dar.

⚠️ WARNUNG: Vor der Benutzung des Geräts sollten Sie alle Sicherheitsanweisungen in dieser Bedienungsanleitung gelesen und verstanden haben. Das gilt auch für die Sicherheits- und Gefahrenzeichen wie „**VORSICHT**“, „**WARNUNG**“ und „**ACHTUNG**“. Die Nichtbeachtung aller aufgeführten Anweisungen kann zu Stromschlägen, Bränden und/oder schweren Verletzungen führen.

SYMBOLBEDEUTUNG

Auf dieser Seite werden die Warnsymbole vorgestellt und beschrieben, die sich unter Umständen an dem Gerät befinden. Alle Anweisungen am Gerät lesen und befolgen, bevor das Gerät montiert und in Betrieb gesetzt wird.

WARNSYMBOL



Sicherheitswarnung



Um das Verletzungsrisiko zu verringern, muss der Benutzer die Bedienungsanleitung vor der Benutzung des Gerätes gelesen und verstanden haben.



Tragen Sie schnittfeste Arbeitshandschuhe aus widerstandsfähigem Material



Tragen Sie eng anliegende Kleidung. Keine Schals, Krawatten oder Schmuck tragen.



Tragen Sie rutschfeste Sicherheitsschuhe



Tragen Sie eine gut sitzende Schutzbrille, Ohr- oder Gehörschützer und einen Schutzhelm mit Kinnriemen.



Gefahr durch Rückstoßeffekt - die Berührung eines Gegenstandes mit der Schienenspitze sollte vermieden werden.



Mit beiden Händen festhalten - Halten Sie die Kettensäge im Betrieb immer mit beiden Händen gut fest.



Rückstoßgefahr an Schienenspitze - Trifft die Schienenspitze auf einen Gegenstand, kann sich die Führungsschiene ruckartig nach oben und nach hinten bewegen. Dabei besteht schwere Verletzungsgefahr.



Angaben zur Führungsschiene.



Dieses Produkt entspricht den geltenden Vorschriften des Vereinigten Königreichs.



Elektrische Altgeräte dürfen nicht im Hausmüll entsorgt werden. Bringen Sie das Gerät zu einem Wertstoffhof bzw. zu einer amtlichen Sammelstelle.



Garantierter Schalleistungspegel.

V

Volt



Dieses Produkt stimmt mit den einschlägigen EG-Richtlinien überein.



Gleichstrom

IPX5 Strahlwassergeschützt

TECHNISCHE DATEN

Spannung	56 V	
Empfohlene Betriebstemperatur:	-15 - 40°C	
Empfohlene Lagertemperatur:	-40 - 70°C	
Optimale Ladetemperatur	5 - 40°C	
Schnittlänge	300 mm	
Kettengeschwindigkeit	20 m/s	
Kettenteilung	3/8" (9,5 mm)	
Kettengliedlänge	1,1 mm	
Sägekettentyp	AC1200 (empfohlen) AC1400/AC1401 (kompatibel) AC1600/AC1601 (kompatibel)	
Führungsschienentyp	AG1200 (empfohlen) AG1400/AG1401 (kompatibel) AG1600/AG1601 (kompatibel)	
Kettenteilung	3/8" (9,5 mm)	
Kettengliedlänge	1,1 mm	
Anzahl der Zähne des Antriebsritzels	6	
Fassungsvermögen des Kettenöltanks	250 ml	
Gewicht (mit Akku und Ketten-Schutzhülle)	3,5 kg	
Gemessener Schalleistungspegel L_{WA}	98,8 dB(A) K=3 dB(A)	
Schalldruckpegel in Arbeitsposition L_{PA}	88,1 dB(A) K=3 dB(A)	
Garantierter Schalleistungspegel L_{WA} (nach 2000/14/EG)	102dB(A)	
Vibration a_h	Vorderer Griff	1,73 m/s ² K= 1,5 m/s
	Hauptgriff	2,21 m/s ² K= 1,5 m/s

- Der angegebene Vibrationsgesamtwert wurde nach einem Standard-Prüfverfahren gemessen und

kann zum Vergleich mit einem anderen Werkzeug herangezogen werden.

- Der angegebene Vibrationsgesamtwert kann auch zur vorläufigen Risikobewertung herangezogen werden.

HINWEIS: Die beim Einsatz des Elektrowerkzeugs entstehenden Istvibrationen können von dem angegebenen Wert abweichen. Zum Schutz des Benutzers sollten Handschuhe und ein Gehörschutz während des Geräteinsatzes getragen werden.

DE

BESCHREIBUNG

AUFBAU (Abb. A1)

- Sägekette
- Kettenbremshebel
- Sicherheitsverriegelung
- Hauptgriff
- Drehzahl-Wahlhebel
- Öse
- Akkuwarnleuchte
- Ölwarnleuchte
- Vorderer Griff
- Öltankverschluss
- Führungsschiene
- Schmierloch
- Zahnrad
- Kettenspannschraube
- Sicherheits-Hauptschalter
- Schienenschraube
- Schienenmutter
- Seitenverkleidung
- Verkleidung der Ölfluss-Stellschraube
- Verkleidung der Staubabscheidung
- Auswurfmechanismus
- Elektrische Kontakte
- Akku-Entriegelungstaste
- Gürtelhalter
- Schloss
- Riemen
- Stahlseil
- Ring 1
- Sägehaken
- Anschlusstecker
- Ring 2
- Kettenschutzhülle
- Kombischlüssel

PACKLISTE (ABB. A1)

MONTAGE

MONTIEREN/DEMONTIEREN DER SCHIENE UND KETTE


⚠️ WARNUNG: Ziehen Sie immer zuerst den Stecker ab

und ziehen Sie Schutzhandschuhe an, bevor Sie mit der Montage oder Wartung des Geräts beginnen.

⚠️ WARNUNG: Beachten Sie alle Warnhinweise, Anweisungen, Abbildungen und technischen Daten, die diesem Elektrowerkzeug beigelegt sind. Die Nichtbeachtung der unten aufgeführten Anweisungen kann zu Stromschlägen, Bränden und/oder schweren Verletzungen führen.

⚠️ WARNUNG: Achten Sie darauf, die Führungsschiene und Sägekette zu bestellen, die in dieser Bedienungsanleitung angegeben sind. Bei Nichtbeachtung kann es zu schweren Verletzungen kommen.

Bewahren Sie alle Warn- und Bedienungshinweise für Nachschlagezwecke auf.

1. Vergewissern Sie sich, dass sich der Kettenbremshebel in Position  befindet.
2. Lösen Sie die **Mutter (A-17)** gegen den Uhrzeigersinn, um die **Seitenverkleidung (A-18)** abzumontieren.
3. Legen Sie die neue Sägekette in einer Schlaufe auf einer ebenen Fläche aus und beseitigen Sie etwaige Knicke. (Abb. B1)
4. Verlegen Sie die **Kettenglieder (B-1)** in die **Nut (B-2)** der Führungsschiene und verlegen Sie die Kette hinten an der Führungsschiene wieder zurück. (Abb. B2)
5. Halten Sie die Kette auf der Führungsschiene fest und verlegen Sie sie über das **Antriebsritzel (B-3)** zurück. Überprüfen Sie folgende Punkte (Abb. B3):
 - a) Die Kettentriebglieder sitzen auf den **Ritzelzähnen (B-3)**.
 - b) **Kettenspannschraube (B-4)** und **Schienenschraube (B-5)** sitzen in der Öffnung der Führungsschiene. **Der Spannstift (B-6)** sitzt in der Öffnung der Führungsschiene.

HINWEIS: Achten Sie darauf, dass die Pfeile an den Sägekettenzähnen immer nach vorn gerichtet sind (Abb. B3).

6. Vergewissern Sie sich, dass die Kette ohne zu Blockieren korrekt montiert ist. Beachten Sie dazu das Kapitel „**SPANNEN DER SÄGEKETTE**“.
7. Setzen Sie die beiden **Führungsstifte (B-7)** der Seitenverkleidung in die zugehörigen **Bohrungen (B-8)** in der Kette ein und montieren Sie die Seitenverkleidung. (Abb. B4)
8. Ziehen Sie die Schienenmutter fest.

B-1	Kettenglieder	B-5	Schienenschraube
B-2	Nut	B-6	Spannstift
B-3	Kettenrad	B-7	Führungsstifte

B-4	Kettenspannschraube	B-8	Bohrungen
-----	---------------------	-----	-----------

HINWEIS: Falls die Führungsschiene ausgetauscht werden muss, montieren Sie die Seitenverkleidung ab und bringen Sie sie mit der neuen Schiene wieder an (s. Abb. C).

BETRIEB

Untersuchen Sie das ganze Produkt auf beschädigte, fehlende und lockere Teile, wie z. B. Schrauben, Bolzen usw. Ziehen Sie alle Befestigungselemente und Kappen gut fest, und benutzen Sie dieses Produkt erst, nachdem alle fehlenden oder beschädigten Teile ersetzt wurden.

⚠️ WARNUNG: Die Verwendung dieses Werkzeugs kann durch örtlich geltende Gesetze eingeschränkt sein.

⚠️ WARNUNG: Benutzen Sie dieses Gerät nicht, wenn Sie müde, krank sind oder unter dem Einfluss oder anderer Drogen stehen.

HINWEIS: Wenn das Gerät außer Kontrolle gerät, z. B. Rückschlag, schalten Sie es unverzüglich aus.

VERWENDUNGSZWECK

Das Produkt kann im Regen benutzt werden.

- Diese Kettensäge ist vorwiegend für Stutz- und Pflegearbeiten im Baum vorgesehen.



Diese Säge sollte nur von Personen verwendet werden, die speziell für Baumpflegearbeiten ausgebildet sind.

HINWEIS: Erstbenutzern empfehlen wir, zumindest das Sägen von Holzstämmen auf einem Sägebock oder Ständer zu üben.

SPANNEN DER SÄGEKETTE

⚠️ WARNUNG: Bei laufendem Motor darf die Kette keinesfalls berührt oder justiert werden. Die Sägekette ist sehr scharf; tragen Sie stets Schutzhandschuhe, wenn Sie Wartungsarbeiten an der Kette durchführen.

Während des normalen Sägebetriebs verlängert sich die Kette nicht nur, sondern zieht sich auch zusammen. Dementsprechend ändert sich die Kettenspannung. Überprüfen Sie die Kettenspannung während des Betriebs regelmäßig und spannen Sie ggf. nach.

1. Schalten Sie die Kettensäge aus, betätigen Sie die Kettenbremse und ziehen Sie den Anschlussstecker.
2. Lösen Sie die Schienenmutter, um die Führungsschiene zum Verstellen frei bewegen zu können.
3. Halten Sie die Vorderseite der Schiene hoch und drehen Sie an der Kettenspannschraube, bis folgende Punkte zutreffen:

- a) Der Kettendurchhang in der Mitte der Schiene beträgt etwa: 1 - 2 mm (Abb. D).
- b) Lösen Sie die Kettenbremse und kontrollieren Sie, ob sich die Kette mit zwei Fingern an der Schiene entlang gezogen werden kann.

HINWEIS: Führen Sie diesen Schritt vorsichtig aus, um sich nicht zu verletzen. Da der Gleichstrommotor bei diesem Gerät magnetische Komponenten enthält, sollten Sie, anders als bei einer Kettensäge mit Benzinmotor, beim Bewegen der Kette mit zwei Fingern einen gewissen Widerstand verspüren. Die Kette lässt sich nicht so leicht von Hand bewegen wie bei einer Benzinkettensäge.

4. Halten Sie die Schiene vorn hoch und ziehen Sie die Schienenmutter fest.

HINWEIS: Beträgt der Kettendurchhang in der Mitte der Schiene nicht 1 - 2 mm, muss die Kettenspannung korrigiert werden.

BEFÜLLEN DES ÖLTANKS

1. Trennen Sie den Akkupack von der Kettensäge.
2. Legen Sie die Kettensäge auf die Seite auf einer festen, ebenen Fläche, sodass der Öltankverschluss nach oben zeigt. Öffnen Sie den Öltankverschluss. Wenn er zu fest sitzt, lösen Sie ihn mit der Schlitzseite des (beiliegenden) Kombischlüssels (Abb. E).
3. Gießen Sie das Öl vorsichtig in den Öltank. Füllen Sie bis zur Unterseite des Einfüllstutzens Öl nach. Wischen Sie übergelaufenes Öl ab und verschließen Sie den Tank.

HINWEIS:

- Beim Kauf ist die Kettensäge nicht mit Öl befüllt. Vor dem Gebrauch muss der Tank mit Öl befüllt werden. Während des Betriebs wird die Kette automatisch mit Kettenöl geschmiert.
- Es ist speziell für eine geringe Reibung und eine schnellere Schnitfführung konzipiert.
- Verwenden Sie niemals Öl oder andere Schmiermittel, die nicht speziell für die Schiene und Kette vorgesehen sind. Dies kann zu einem verstopften Ölsystem führen und somit vorzeitigen Verschleiß von Schiene und Kette verursachen.

REGULIEREN DES ÖLFLUSSES (Abb. F)

- An der Unterseite der Säge befindet sich eine **Öfluss-Einstellschraube (F-1)**, mit der die Ölversorgung zum Schmieren der Kette, Schiene und des Schneidsystems reguliert werden kann. Zum Erhöhen oder Verringern des Öldurchflusses muss die Schraube wie von den Pfeilrichtungen am Gehäuse angezeigt gedreht werden.

LED-ANZEIGE AN DER KETTENSÄGE

Die Kettensäge ist mit 2 LED-Leuchten ausgestattet, die den Öfüllstand und den Ladezustand des Akkupacks melden.

LED-Leuchte		Bedeutung	Abhilfe
Ölwarnleuchte (A-8)	Rot blinkend	Ölmangel	Öl im Tank nachfüllen
	Aus	Öl ausreichend	/
Akkuarbleuchte (A-7)	Grün leuchtend	Akkupack geladen	/
	Grün blinkend	Der Akkupack ist fast entladen und muss sofort wieder geladen werden.	Akku aufladen

AKKUHALTER AM KLETTERGESCHIRR ANBRINGEN

Dieser Sägekette liegt ein Akkuhalter zum Transportieren des Akkupacks bei, der an ein Klettergeschirr (nicht mitgeliefert) angeschlagen werden kann.

HINWEIS: Vor dem Anlegen des Klettergeschirrs muss der Akkuhalter fest mit dem Geschirr verbunden werden.

⚠️ WARNUNG: Der Klettergurt mit Schnellentriegelungsfunktion muss vorbereitet werden, um Unfälle zu vermeiden.

1. Suchen Sie am Klettergeschirr nach einer geeigneten Stelle zum Einhängen des Akkuhalters. Schlagen Sie den Akkuhalter dann mit dem **Gürtelhalter (G-1)** am Klettergeschirr an. (Abb. G1)
2. Bringen Sie den Gürtel dann am Klettergeschirr an, um den Akkuhalter an Ort und Stelle zu fixieren (Abb. G2 & G3).
3. Bringen Sie die beiden **Ringe (G-2)** des Sicherungsstahlseils mit zwei Karabinerhaken (nicht mitgeliefert) am Klettergeschirr an, siehe Abb. G4.

G-1	Gürtelhalter	G-2	Ringe
-----	--------------	-----	-------

HINWEIS:

- Zum Klettern auf einen Baum die Ringe 1 und 2 des Sicherungsstahlseils mit Karabinerhaken (nicht mitgeliefert) am Klettergeschirr anbringen (Abb. G5)
- Bei Einsatz des Geräts lösen Sie Ring 2 vom Klettergeschirr und halten die Säge mit beiden Händen gut fest, um die Sägearbeiten auszuführen (Abb. G6).

BEFESTIGEN VON SÄGE UND AKKUHALTER

Befestigen Sie den **Sägehaken (H-2)** des Sicherungsstahlseils an der **Öse (H-1)**. (Abb. H)

H-1	Öse	H-2	Karabiner
-----	-----	-----	-----------

DE

ANBRINGEN/ABNEHMEN DES AKKUPACKS

HINWEIS: Laden Sie den Akku vor dem ersten Gebrauch voll auf.

Anbringen (Abb. I1)


Lassen Sie die Rippen des Akkus mit den Anschlussöffnungen fluchten. Schieben Sie den Akku anschießend in den Akkuhalter, bis er hörbar einrastet.

Abnehmen (Abb. I2)

Zum Abnehmen des Akkus drücken Sie mit dem Daumen die Akku-Entriegelungstaste.

STARTEN/STOPPEN DER KETTENSÄGE

Starten


- Die Pfeilspitzen "▲" am **Anschlussstecker (J-2)** und an der **Anschlussbuchse (J-1)** der Säge miteinander fluchten lassen. Den Stecker nun in die Buchse einführen, bis der GRÜNE Dichtring am Stecker VOLLSTÄNDIG in der Buchse sitzt und nicht mehr zu sehen ist (Abb. J1).
- Schieben Sie den Hauptschalter („ON/OFF“) in die Position „ON“ (Abb. J2).
- Ziehen Sie den Kettenbremshebel zum vorderen Griff in Betriebsstellung .
- Schieben Sie die **Sicherheitsverriegelung (J-3)** nach vorn und betätigen Sie dann den **Drehzahl-Wahlhebel (J-4)**. Je stärker Sie am Drehzahl-Wahlhebel ziehen, desto höher ist die Drehzahl der Kettensäge (Abb. J3).

J-1	Anschlussbuchse	J-3	Sicherheitsverriegelung
J-2	Anschlussstecker	J-4	Drehzahl-Wahlhebel

Stoppen

- Lassen Sie den Wahlhebel los, um die Kettensäge auszuschalten.

HINWEIS: Nach dem Loslassen des Hebels läuft die Kettensäge eine kurze Zeit bis zum Stillstand aus. Vermeiden Sie unbedingt den Kontakt. Nach dem Loslassen des Hebels sollten Sie auf jeden Fall den Kontakt mit der Säge meiden und beim Ablegen der Kettensäge vorsichtig sein.

- Bewegen Sie den Kettenbremshebel nach vorne in Bremsposition „

⚠️ WARNUNG: Ziehen Sie bei Arbeitspausen und nach Abschluss der Arbeiten stets den Anschlussstecker aus der Kettensäge.

SÄGEVORBEREITUNGEN

Fester Halt an den Griffen (Abb. K)

- Mit rutschfesten Handschuhen sorgen Sie für maximalen Halt und Schutz.
- Halten Sie das Gerät immer mit der linken Hand am vorderen Griff und mit der rechten Hand am hinteren Griff fest.
- Die Finger sollten den Griff umschließen und der Daumen sollte bis unter dem vorderen Griff anliegen.

⚠️ WARNUNG: Halten Sie das Gerät nie über Kreuz fest und vermeiden Sie Körperhaltungen, bei denen sich Ihr Körper oder Ihre Arme mit der Kettenlinie kreuzen.

⚠️ WARNUNG: Betätigen Sie den Wählhebel nicht mit der linken Hand und halten Sie den vorderen Griff mit Ihrer rechten Hand fest. Beim Arbeiten mit der Kettensäge dürfen sich keine Körperteile in der Kettenlinie befinden (Abb. L).

KETTENSCHMIERUNG KONTROLLIEREN (Abb. M)

HINWEIS: Vergewissern Sie sich, dass sich genügend Kettenöl im Öltank der Kettensäge befindet.

- Halten Sie die Führungsschiene über eine helle Fläche.
- Schalten Sie die Säge ein. Wenn der Kettenöler einwandfrei funktioniert, sollte nach 1 Minute eine deutliche Ölspur auf der hellen Fläche zu sehen sein.
- Falls auf der hellen Fläche kein Öl zu sehen ist, lesen Sie das Kapitel „EINSTELLEN DES ÖLFLUSSES“.

SÄGEN IM BAUM

⚠️ WARNUNG: Beim Sägen oder Klettern empfiehlt es sich, weitere Hilfsmittel zum Abstützen zu verwenden, wie z. B. Steigbügel oder verstellbare Sicherungsleinen, um ein Umerschaukeln oder Sägeunfälle zu vermeiden.

Prüfen Sie zuvor aber folgende Punkte:

- Kontrollieren Sie die Verschleißmarken am **Kettenrad (N-1)**. Sind die Verschleißmarken tiefer als 0,5 mm, wenden Sie sich an Ihren EGO Kundendienst, um das Kettenrad auszuwechseln zu lassen.
- Prüfen Sie außerdem, ob die Verschleißmarken am **Bremsbelag (N-2)** ungleichmäßig sind. Wenden Sie sich an Ihren EGO Kundendienst, um den Bremsbelag auszuwechseln zu lassen. (Abb. N)

N-1	Kettenrad	N-2	Bremsbelag
-----	-----------	-----	------------

- Prüfen Sie die Führungsschiene (siehe dazu den Abschnitt):

WARTUNG DER FÜHRUNGSSCHIENE

- Lesen Sie folgenden Abschnitt über die Sägekette nach: **WARTUNG DER KETTE**
- Zum Testen der Kettenbremse lesen Sie den Abschnitt: **RÜCKSCHLAG-SCHUTZVORRICHTUNGEN AN DIESER**

KETTENSÄGE

- Überprüfen Sie die Bedienelemente (siehe den Abschnitt): **STARTEN/STOPPEN DER KETTENSÄGE**
- Kontrollieren Sie die Kettenschmierung (lesen Sie dazu den Abschnitt): **KETTENSCHMIERUNG KONTROLLIEREN**

WARTUNG

REINIGUNG

- Entfernen Sie nach jedem Gebrauch mithilfe einer weichen Bürste anhaftenden Schmutz von der Kette und Führungsschiene. Wischen Sie die Oberfläche der Kettensäge mit einem sauberen und mit milder Seifenlösung befeuchteten Tuch ab.
- Um das Gerät gründlicher zu reinigen, montieren Sie die Seitenverkleidung und die Führungsschiene sowie die Sägekette ab. Beseitigen Sie den Schmutz an der Schiene, Sägekette und am Antriebsritzel des Sägekettenantriebs gründlich mit einer weichen Bürste.
- Entfernen Sie Holzspäne, Sägestaub und Schmutz aus der Nut der Führungsschiene, wenn Sie die Sägekette wechseln.

STAUB ENTFERNEN

1. Ziehen Sie den Anschlussstecker ab, lassen Sie die Kettensäge abkühlen und drehen Sie den Verschluss des Öltanks zu.
2. Betätigen Sie die Sägekettenbremse.
3. Lösen Sie die Schraube an der **Verkleidung der Staubabscheidung (O-1)** mit dem Kombischlüssel (Abb. O1) und nehmen Sie die Verkleidung ab.
4. Beseitigen Sie Sägestaub und -späne, die sich an den Kühlrippen angesammelt haben, mit Druckluft. Blasen Sie die Rippen von der gegenüber liegenden Seite des Lufteinlasses (O-2) frei. (Abb. O2).

O-1	Verkleidung der Staubabscheidung	O-2	Lufteinlass
-----	----------------------------------	-----	-------------

WARTUNG DER FÜHRUNGSSCHIENE

Falls die Führungsschiene Verschleißerscheinungen aufweist, montieren Sie sie vom Sägeantrieb ab und bauen Sie sie anschließend wieder an (Abb. P1). Dadurch verteilt sich die Abnutzung, die Schiene wird geschont und hält länger.

Die Schiene (inklusive **Schienenstege (P-1)**) und

Schmierloch (P-2) sollte jeden Tag nach dem Gebrauch gereinigt und auf Verschleiß sowie Schäden überprüft werden. Scharfe Kanten oder Grat an den Schienenstegen sind normale Verschleißerscheinungen an der Schiene. Diese Fehlstellen sollten mit einer Feile geglättet werden, sobald sie sich bemerkbar machen. Eine Schiene mit einem der folgenden Mängel sollte ausgewechselt werden:

Verschleiß in den Schienenstegen, wodurch sich die Kette seitlich legen kann.

- Verbogene Führungsschiene
- Gesprungene oder gebrochene Stege.
- Gespreizte Stege.

Die Führungsschiene ist an der Spitze mit einem Zahnrad versehen. Das Zahnrad muss wöchentlich mit einer Fettpresse geschmiert werden, um die Nutzungsdauer der Führungsschiene zu verlängern (Abb. P3 & P4). Drehen Sie am **Zahnrad (P-3)** und füllen Sie dabei das hellgelbe, **hellrote oder halbtransparente** Schmierfett in das **Schmierloch (P-4)** ein, bis das Zahnrad komplett neu gefettet ist. Füllen Sie keinen Schutz in das Loch.

P-1	Schienenstege	P-3	Zahnrad
P-2	Schmierloch	P-4	Schmierloch

WARTUNG DER KETTE

Verwenden Sie für diese Säge nur rückschlagarme Ketten. Diese Schnellsägekette sorgt für eine Reduzierung des Rückschlags, wenn sie sachgemäß gewartet wird.

Eine sachgemäß geschärfte Sägekette durchtrennt Holz mühelos, selbst mit sehr wenig Druck. Benutzen Sie niemals eine stumpfe oder beschädigte Sägekette. Eine stumpfe Sägekette führt zu erhöhter körperlicher Belastung, erhöhter Beanspruchung durch Vibration, zu einem mangelhaften Schnitt und erhöhtem Verschleiß.

Für ein schnelles und reibungsloses Sägen muss die Kette ordnungsgemäß gewartet werden. Die Kette muss geschärft werden, wenn die Holzspäne klein und pulvrig sind, wenn ein größerer Kraftaufwand beim Sägen des Holzes erforderlich ist oder die Kette zu einer Seite zieht. Berücksichtigen Sie bei der Wartung Ihrer Kette Folgendes:

- Ein falscher Schleifwinkel der Seitenfläche kann das Risiko eines heftigen Rückschlags erhöhen.
- Tiefenmaß-Toleranz Ein zu tiefes Eintauchen erhöht die Rückschlaggefahr. Durch zu flaches Eintauchen nimmt die Sägeleistung ab.
- Falls die Sägezähne auf harte Gegenstände wie Nägel und Steine treffen oder durch Schlamm oder Sand am Holz abgenutzt werden, lassen Sie die Kette von einem qualifizierten Servicetechniker nachschleifen.

HINWEIS: Nachschleif- und Wartungsarbeiten an der **Kettensäge** sollten Sie qualifiziertem Fachpersonal in Partnerwerkstätten überlassen.

TRANSPORT UND LAGERUNG

- Eine laufende Kettensäge darf nicht verstaut oder transportiert werden. Ziehen Sie vor dem Verstauen oder Transportieren immer den Anschlussstecker aus dem Gerät.
- Schieben Sie die Führungsschienen-Schutzhülle über die Führungsschiene und Kette, bevor Sie die Kettensäge verstauen oder transportieren. Nehmen Sie sich vor den scharfen Zähnen der Kette in Acht.
- Reinigen Sie die Kettensäge gründlich, bevor Sie sie verstauen. Lagern Sie die Kettensäge im Haus an einem trockenen Ort, der abgeschlossen und/oder für Kinder nicht erreichbar ist.
- Halten Sie sie von korrosiven Mitteln wie Gartenchemikalien und Streusalz fern.

Schutz der Umwelt



WEEE-Altgeräteverordnung - Elektro-Altgeräte, verbrauchte Akkus und Ladegeräte dürfen nicht im Hausmüll entsorgt werden! Das Gerät muss einer offiziellen Recycling-Sammelstelle zur getrennten Entsorgung zugeführt werden. Elektrowerkzeuge müssen bei einem umweltfreundlichen Recycling-Betrieb abgegeben werden.

STÖRUNGSBEHEBUNG

DE

PROBLEM	URSACHE	LÖSUNG
Motor startet nicht.	<ul style="list-style-type: none"> ■ Der Anschlussstecker der Akkuhalterung ist nicht mit der Kettensäge verbunden. ■ Kein elektrischer Kontakt zwischen Akkuhalterung und Akku. ■ Die Sicherheitsverriegelung ist nicht hochgeklappt. ■ Der Hauptschalter steht auf „OFF“. ■ Die Kettenbremse ist eingerückt. 	<ul style="list-style-type: none"> ■ Den Anschlussstecker der Akkuhalterung an die Kettensäge anschließen. ■ Akku abklemmen, die Kontakte überprüfen und den Akku wieder anschließen. ■ Vor dem Einschalten die Sicherheitsverriegelung hochklappen. ■ Den Hauptschalter auf „ON“ stellen. ■ Ziehen Sie den Kettenbremshebel zurück in Richtung des vorderen Griffs, bis er sich in Betriebsposition befindet.
Kettensäge hält während des Sägens an.	<ul style="list-style-type: none"> ■ Der Akku oder die Kettensäge ist zu heiß. ■ Die Kettensäge ist überlastet. ■ Die Belüftungsöffnung hat sich mit zu vielen Holzspänen zugesezt. ■ Der Akku ist entladen. 	<ul style="list-style-type: none"> ■ Akku oder Kettensäge abkühlen lassen ■ Verringern Sie die Belastung. ■ Sägereste beseitigen, siehe unter „STAUB ENTFERNEN“. ■ Den Akku aufladen
Kettenbremse rückt nicht ein	<ul style="list-style-type: none"> ■ Schmutz behindert das vollständige Aus- und Einfahren des Kettenbremshebels. ■ Mögliche Fehlfunktion der Kettenbremse 	<ul style="list-style-type: none"> ■ Beseitigen Sie die Schmutzrückstände außen an der Kettenbremse. ■ Wenden Sie sich zwecks Reparatur an den EGO-Kundendienst.
Keine Ölschmierung beim Sägen.	<ul style="list-style-type: none"> ■ Der Kettenöltank ist leer. ■ Der Ölauslass an Kette und Schiene ist blockiert. ■ Ölaushärtung bei niedriger Temperatur 	<ul style="list-style-type: none"> ■ Schienen- und Kettenschmiermittel nachfüllen. ■ Beseitigen Sie den Staub am Ölauslass. ■ Füllen Sie geeignetes Sägekettenöl ein (für Tieftemperaturen geeignet)
Die Ölwarnleuchte blinkt rot oder leuchtet ungewöhnlich, während der Öltank nachgefüllt wird.	<ul style="list-style-type: none"> ■ Bei einem bestimmten Arbeitswinkel der Kettensäge kann es vorkommen, dass das Öl aus dem Öltank die Ölleitung nicht erreicht. ■ Die Ölsorte und -farbe ist nicht zu empfehlen. ■ Die Ölwarnleuchte blinkt immer noch rot. 	<ul style="list-style-type: none"> ■ Legen Sie die Kettensäge flach hin und versuchen Sie es erneut. ■ Verwenden Sie das empfohlene hellgelbe, hellrote oder halbtransparente Öl ■ Wenden Sie sich zwecks Reparatur an den EGO-Kundendienst
Die Ölwarnleuchte geht nicht an, wenn nicht mehr genügend Öl im Tank ist.	<ul style="list-style-type: none"> ■ Die Ölsorte und -farbe lässt sich nicht identifizieren. ■ Eine geringe Menge Öl befindet sich immer noch im Öltank oder in der Ölleitung. ■ Aus obigen Gründen funktioniert die Ölwarnleuchte immer noch nicht. 	<ul style="list-style-type: none"> ■ Verwenden Sie das empfohlene hellgelbe, hellrote oder halbtransparente Öl ■ Setzen Sie die Kettensäge eine Weile ein und schauen Sie anschließend erneut nach der Ölwarnleuchte ■ Wenden Sie sich zwecks Reparatur an den EGO-Kundendienst.

GARANTIE

EGO-GARANTIEBEDINGUNGEN

Sämtliche EGO Garantiebedingungen finden Sie auf der Website egopowerplus.eu.

LISEZ TOUTES LES INSTRUCTIONS !

FR

LISEZ LE MANUEL D'UTILISATION

SYMBOLE DE SECURITE

L'objectif des symboles de sécurité est d'attirer votre attention sur des dangers potentiels. Les symboles de sécurité et les explications les accompagnant doivent être lus attentivement et compris. Les symboles de mise en garde ne permettent pas par eux-mêmes d'éliminer les dangers. Les consignes et mises en garde ne se substituent pas à des mesures de prévention des accidents appropriées.

⚠ AVERTISSEMENT: Lisez et comprenez impérativement toutes les consignes de sécurité de ce manuel d'utilisation, y compris les symboles de mise en garde de sécurité tels que « **DANGER** », « **AVERTISSEMENT** » et « **ATTENTION** » avant d'utiliser cet outil. Le non-respect de toutes les instructions énumérées ci-dessous peut entraîner un choc électrique, un incendie et / ou des blessures graves.

SIGNIFICATION DES SYMBOLES

Cette page décrit des symboles de sécurité pouvant être présents sur ce produit. Lisez, comprenez et respectez toutes les instructions présentes sur l'outil avant d'essayer de l'assembler et de l'utiliser.

SYMBOLES DE SÉCURITÉ



Alerte de sécurité



Portez des gants de travail robustes en matériau durable.



Portez des chaussures de sécurité antidérapantes.



Attention aux rebonds : tout contact du nez du guide-chaîne avec un objet doit être évité.



Rebond: le contact du nez du guide-chaîne peut provoquer un mouvement brusque vers le haut et en arrière, ce qui peut provoquer des blessures graves.



Ce produit est conforme à la législation britannique applicable.



Niveau de puissance acoustique garanti.



Ce produit est conforme aux directives CE applicables.

IPX5

Protection contre les jets d'eau



Pour réduire le risque de blessures, l'utilisateur doit lire et comprendre le manuel d'utilisation avant d'utiliser ce produit.



Portez des vêtements bien ajustés. Ne portez pas de foulard, de cravate ou de bijoux.



Portez des lunettes de sécurité bien ajustées, des bouchons d'oreille ou un casque antibruit et un casque de sécurité muni d'une mentonnière.



Maintien à deux mains : toujours utiliser la tronçonneuse à deux mains.



Informations sur le guide-chaîne



Les produits électriques usagés ne doivent pas être jetés avec les ordures ménagères. Apportez-les dans un centre de recyclage agréé.

V

Volts



Courant continu

SPÉCIFICATIONS

Tension	56 V	
Température de fonctionnement recommandée :	-15°C-40°C	
Température de stockage recommandée :	-40°C-70°C	
Température de recharge optimale	5°C-40°C	
Longueur de coupe	300 mm	
Vitesse de chaîne	20 m/s	
Pas de chaîne	3/8" (9,5 mm)	
Limiteur de profondeur	1,1 mm	
Type de chaîne	AC1200 (Recommandé) AC1400/AC1401 (Compatible) AC1600/AC1601 (Compatible)	
Type de guide-chaîne	AG1200 (Recommandé) AG1400/AG1401 (Compatible) AG1600/AG1601 (Compatible)	
Pas de chaîne	3/8" (9,5 mm)	
Jauge	1,1 mm	
Nombre de dents spécifié du pignon	6	
Capacité du réservoir d'huile de chaîne	250ml	
Poids (sans la batterie et sans le protège-guide)	3,5 kg	
Niveau de puissance acoustique mesuré L_{WA}	98,8 dB(A) K=3 dB(A)	
Niveau de pression acoustique à la position de fonctionnement L_{PA}	88,1 dB(A) K=3 dB(A)	
Niveau de puissance acoustique garanti L_{WA} (d'après 2000/14/CE)	102 dB(A)	
Vibrations a_h	Poignée avant	1,73 m/s ² K= 1,5 m/s
	Poignée principale	2,21 m/s ² K= 1,5 m/s

- La valeur totale des vibrations indiquée a été mesurée selon une procédure conforme à une méthode de test standardisée et peut servir pour comparer différents outils.
- La valeur totale des vibrations déclarée peut également servir pour effectuer une évaluation préliminaire de l'exposition.

FR

REMARQUE: Le niveau de vibrations lors de l'utilisation réelle de l'outil peut être différent de la valeur déclarée totale en fonction de la manière dont l'outil est utilisé ; Afin de protéger l'opérateur, l'utilisateur doit porter des gants et des protecteurs d'oreilles en conditions réelles d'utilisation.

DESCRIPTION

DESCRIPTION DE VOTRE TRONÇONNEUSE (Image A1)

1. Chaîne
2. Frein de chaîne
3. Languette de verrouillage
4. Poignée principale
5. Gâchette à vitesse variable
6. Cillet
7. Témoin de batterie
8. Témoin de niveau d'huile
9. Poignée avant
10. Bouchon du réservoir d'huile
11. Guide-chaîne
12. Trou de lubrification
13. Pignon d'entraînement
14. Vis de tension
15. Interrupteur de sécurité MARCHE-ARRÊT
16. Boulon de guide-chaîne
17. Ecrou de guide-chaîne
18. Capot latéral
19. Cache de vis de réglage du débit d'huile
20. Capot anti-poussières
21. Mécanisme d'éjection
22. Contacts électriques
23. Bouton de déblocage de la batterie
24. Crochet de ceinture
25. Boucle
26. Sangle
27. Câble électrique
28. Anneau 1
29. Crochet pour tronçonneuse
30. Fiche secteur
31. Anneau 2
32. Protège-guide
33. Clé combinée

CONTENU DE L'EMBALLAGE (IMAGE A1)

FR

ASSEMBLAGE

MONTER/DEMONTÉ LE GUIDE ET LA CHAÎNE

⚠ AVERTISSEMENT: Débranchez toujours la fiche secteur et munissez-vous de gants de protection avant d'assembler ou d'entretenir le produit.

⚠ AVERTISSEMENT: Lisez toutes les consignes de sécurité, les instructions, les illustrations et les spécifications de sécurité fournies avec cet outil électrique. Le non-respect des consignes figurant ci-dessous peut provoquer un choc électrique, un incendie et/ou des blessures graves.

⚠ AVERTISSEMENT: Veillez à commander le guide-chaîne et la chaîne listée dans le présent manuel. Le non-respect de cette consigne peut entraîner des blessures graves.

Conservez tous les consignes de sécurité et toutes les instructions pour consultation ultérieure.

1. Assurez-vous que le frein de chaîne est en position .
2. Desserrez l'écrou du guide-chaîne (A-17) en le tournant dans le sens inverse des aiguilles d'une montre afin de retirer le capot latéral (A-18).
3. Posez la chaîne en boucle sur une surface plane et redressez tous les maillons. (Fig. B1)
4. Insérez les maillons d'entraînement (B-1) de la chaîne dans le rail du guide (B-2) et faites une boucle avec la chaîne à l'arrière du guide. (Fig. B2)
5. Maintenez la chaîne en position sur le guide et placez la boucle autour du pignon d'entraînement (B-3) de l'unité moteur puis vérifiez les éléments suivants (Fig. B3):
 - a) Les maillons d'entraînement sont placés dans les dents du pignon d'entraînement (B-3).
 - b) La vis de tension (B-4) et le boulon du guide-chaîne (B-5) sont situés dans la fente du guide-chaîne. La broche de tension (B-6) est engagée dans le trou du guide-chaîne.

REMARQUE: Veillez à ce que les flèches sur les dents de la chaîne soient toujours orientées vers l'avant (Fig. B3).

6. Consultez la section « MISE SOUS TENSION DE LA CHAÎNE » pour veiller à ce que la chaîne soit correctement montée sans se gripper.
7. Alignez les deux tiges de guidage (B-7) du capot latéral avec les trous (B-8) correspondants dans la tronçonneuse puis montez le capot latéral. (Fig. B4)

8. Serrez l'écrou du guide-chaîne.

B-1	Maillons d'entraînement	B-5	Boulon de guide-chaîne
B-2	Rail	B-6	Broche de tension
B-3	Pignon d'entraînement	B-7	Tiges de guidage
B-4	Vis de tension	B-8	Trous

REMARQUE: Si le guide-chaîne doit être remplacé, retirez le capot latéral et remontez-le avec le guide-chaîne neuf comme montré sur la Fig. C.

FONCTIONNEMENT

Avant chaque utilisation, inspectez l'intégralité du produit pour vérifier qu'il ne présente pas de pièces endommagées, manquantes ou desserrées, telles que des vis, des écrous, des boulons, etc. Resserrez toutes les fixations et les capuchons et réutilisez le produit uniquement lorsque toutes les pièces manquantes ou endommagées ont été remplacées.

⚠ AVERTISSEMENT: Certaines réglementations nationales peuvent restreindre l'utilisation de la machine.

⚠ AVERTISSEMENT: N'utilisez pas la machine en état de fatigue ou sous l'influence d'alcool, de drogues ou de médicaments.

REMARQUE : Si la machine est hors de contrôle, par ex. en cas de rebond, mettez-la hors tension immédiatement.

APPLICATION

Ce produit peut être utilisé sous la pluie.

- Cette tronçonneuse est spécialement conçue pour l'élagage et l'entretien des arbres.



La tronçonneuse doit uniquement être utilisée par des personnes spécialement formées à l'entretien des arbres.

REMARQUE: Nous recommandons aux utilisateurs débutants de s'entraîner au moins à couper d'abord des bûches sur un tréteau ou un chevalet.

MISE SOUS TENSION DE LA CHAÎNE

⚠ AVERTISSEMENT: Ne touchez jamais et ne réglez jamais la chaîne quand le moteur est en marche. La chaîne est très tranchante ; portez toujours des gants de protection lorsque vous en effectuez l'entretien.

La chaîne se dilate ou se contracte lors de son fonctionnement normal. La tension de la chaîne s'en trouve donc modifiée. Vérifiez régulièrement la tension de la chaîne

au cours de l'utilisation et réajustez-la le cas échéant.

1. Mettez la tronçonneuse hors tension, enclenchez le frein de chaîne et débranchez la fiche secteur.
2. Desserrez l'écrou du guide-chaîne de façon à ce que le guide-chaîne puisse bouger librement pour le réglage.
3. Maintenez le nez du guide vers le haut et réglez la vis de tension jusqu'à obtenir les caractéristiques suivantes :
 - a) Le mou de la chaîne au milieu du guide est d'environ : 1 - 2 mm (Fig. D).
 - b) Désenclenchez le frein de chaîne, assurez-vous que la chaîne puisse être tirée le long du guide avec deux doigts.

REMARQUE: Effectuez cette opération avec précaution afin d'éviter tout risque de blessures. Comparé à une tronçonneuse à essence conventionnelle, ce moteur à courant continu contient un matériau magnétique, autrement dit, une certaine résistance se fera sentir lorsque vous déplacez la chaîne avec deux doigts. La chaîne ne se déplace pas aussi facilement qu'avec une tronçonneuse à essence.

4. Maintenez le nez du guide-chaîne vers le haut et resserrez l'écrou du guide-chaîne.

REMARQUE: Si le mou de la chaîne au centre du guide n'est pas de 1 - 2 mm, réajustez la tension de la chaîne.

REMPLISSAGE DU RESERVOIR D'HUILE

1. Retirez la batterie de la tronçonneuse.
2. Placez la tronçonneuse sur le côté sur une surface solide et plane, de sorte que le capuchon du réservoir d'huile pointe vers le haut. Ouvrez le capuchon du réservoir d'huile. S'il est trop serré, utilisez la tête fendue de la clé combinée (fournie) pour le desserrer (Fig. E).
3. Versez soigneusement l'huile dans le réservoir. Remplissez le réservoir jusqu'au goulot de remplissage. Essuyez l'huile en excès et fermez le bouchon du réservoir d'huile.

REMARQUE:

- La tronçonneuse n'est pas remplie d'huile lors de son achat. Il faut impérativement remplir son réservoir d'huile avant de l'utiliser. La chaîne est automatiquement lubrifiée avec l'huile pour chaîne pendant l'utilisation.
- Il est spécialement conçu pour réduire les frottements et accélérer les coupes.
- N'utilisez pas d'huiles ni de lubrifiants qui n'ont pas été spécialement conçus pour être utilisés avec des guide-chaînes et des chaînes. En utiliser pourrait boucher le

système de distribution de l'huile, ce qui entraînerait l'usure prématurée du guide-chaîne et de la chaîne.

REGLAGE DU DEBIT D'HUILE (Fig. F)

- La tronçonneuse est dotée d'une **vis de réglage du débit d'huile (F-1)** située sur le bas de l'outil. Elle sert à régler le débit d'huile pour lubrifier la chaîne, le guide-chaîne et le système de coupe. L'augmentation ou la réduction du débit d'huile se fait dans le sens des flèches indiquées sur le capot.

VOYANT LED SUR LA TRONÇONNEUSE

La tronçonneuse est munie de 2 voyants LED qui indiquent le niveau d'huile et le niveau de charge de la batterie.

Voyant LED		Signification	Action
Témoin de niveau d'huile (A-8)	Clignote en rouge	Niveau d'huile insuffisant	Remplissez le réservoir d'huile
	Éteint	Niveau d'huile correct	/
Témoin de batterie (A-7)	S'allume en vert	Batterie chargée	/
	Clignote en vert	Batterie presque déchargée et doit être immédiatement rechargée.	Rechargez la batterie

FIXATION DE L'ETUI DE BATTERIE AU BAUDRIER

La tronçonneuse est fournie avec un étui de batterie permettant de porter la batterie et pouvant être fixé à un baudrier (non fourni).

REMARQUE: Veuillez bien fixer l'étui de batterie au baudrier avant de vous équiper du baudrier.

⚠ AVERTISSEMENT: Le baudrier à dispositif à ouverture rapide permet de se préparer à une situation d'urgence.

1. Choisissez l'endroit le mieux adapté du baudrier sur lequel suspendre l'étui de batterie. Suspendez l'étui au baudrier à l'aide du **crochet de ceinture (G-1)** (Fig. G1)
2. Enroulez la ceinture autour du baudrier pour fixer l'étui de batterie (Fig. G2 & G3).
3. Fixez deux **anneaux (G-2)** du câble électrique au baudrier à l'aide de deux mousquetons (non fournis), comme montré à la Fig G4.

G-1	Crochet de ceinture	G-2	Anneaux
-----	---------------------	-----	---------

REMARQUE:

- Lorsque vous grimpez sur l'arbre, fixez les anneaux 1 et 2 du câble électrique au baudrier à l'aide de mousquetons (non fournis) (Fig. G5).
- Lorsque vous utilisez l'outil, détachez l'anneau 2 du baudrier et maintenez la tronçonneuse à deux mains pour effectuer la coupe (Fig. G6).

FIXATION DE LA TRONÇONNEUSE A L'ETUI DE BATTERIE

Faites passer le **crochet (H-2)** du câble électrique à travers l'**œillet (H-1)**. (Image H).

H-1	Œillet	H-2	Crochet
-----	--------	-----	---------

INSTALLER/RETIRER LA BATTERIE

REMARQUE: Chargez la batterie au maximum avant sa première utilisation.

Installation (Image I1)


Alignez les nervures de la batterie avec les rainures d'assemblage et glissez la batterie dans l'étui jusqu'à enclenchement.

Retrait (Image I2)

Appuyez avec le pouce sur le bouton de déblocage de la batterie pour la retirer.

DÉMARRER/ÉTEINDRE LA TRONÇONNEUSE

Démarrage


1. Alignez les marques « ▲ » de la **fiche secteur (J-2)** et de la **prise électrique (J-1)** de la tronçonneuse puis insérez la fiche dans la tronçonneuse jusqu'à ce que le joint VERT de la fiche disparaisse **COMPLETEMENT** dans la prise (Fig. J1).
2. Poussez le bouton « ON/OFF » en position « **ON** » (MARCHE) (Fig. J2).
3. Tirez le frein de chaîne vers la poignée principale en position .
4. Poussez la **languette de verrouillage (J-3)** en avant puis appuyez sur la **gâchette à vitesse variable (J-4)**. Plus vous appuyez sur la gâchette, plus la vitesse de rotation de la chaîne sera élevée (Fig. J3).

J-1	Prise électrique	J-3	Languette de verrouillage
J-2	Fiche secteur	J-4	Gâchette à vitesse variable

Arrêt

1. Relâchez la gâchette pour arrêter la tronçonneuse.
- REMARQUE:** La chaîne continue de tourner pendant quelques instants après le relâchement de la gâchette.

Veillez à éviter tout contact après relâchement de la gâchette et pose de la tronçonneuse.

2. Poussez le frein de chaîne en avant en position de frein «  ».
3. Poussez le bouton « ON/OFF » en position « **OFF** » (ARRET).

⚠ AVERTISSEMENT: Débranchez toujours la fiche secteur de la tronçonneuse pendant les pauses et après avoir terminé votre travail.

PRÉPARATION POUR LA COUPE

Bonne prise des poignées (Image K)

- Portez des gants antidérapants afin de maximiser la prise et la protection.
- Saisissez toujours la poignée avant avec la main gauche et la poignée principale avec la main droite.
- Les doigts doivent enserrer les poignées avec le pouce placé sous la poignée avant.

⚠ AVERTISSEMENT: N'utilisez jamais de prise inversée (les bras croisés), ou toute autre position qui placerait votre corps ou votre bras dans l'axe de la chaîne.

⚠ AVERTISSEMENT: Ne pressez pas la gâchette avec votre main gauche en tenant la poignée avant avec votre main droite. Ne placez jamais une partie de votre corps dans l'axe de la chaîne lorsque vous utilisez une tronçonneuse (Fig. L).

CONTROLE DE LA LUBRIFICATION DE LA CHAÎNE (Fig. M)

REMARQUE: Assurez-vous que le réservoir d'huile de la tronçonneuse est rempli de suffisamment d'huile.

1. Maintenez le guide-chaîne au-dessus d'une surface de couleur claire.
2. Mettez la tronçonneuse sous tension. Vous verrez une ligne transparente d'huile sur la surface de couleur claire après 1 minute, si la lubrification de la chaîne fonctionne correctement.
3. Si l'huile n'est pas visible sur la surface de couleur claire, consultez la partir « **REGLAGE DU DÉBIT D'HUILE** » pour l'ajuster

UTILISATION DANS UN ARBRE

⚠ ATTENTION: lorsque vous travaillez ou grimpez dans un arbre, il est recommandé d'utiliser un support supplémentaire, tel qu'un repose-pied ou une lanrière réglable afin d'éviter de perdre l'équilibre ou de vous couper.

Avant utilisation, veuillez vérifier les éléments suivants :

- Contrôlez les signes d'usure du **pignon d'entraînement (N-1)**. Si l'usure dépasse une profondeur de 0,5 mm, contactez votre réparateur EGO pour remplacer le pignon d'entraînement.
- Contrôlez également le système de freinage, si les signes d'usure sur les **garnitures de frein (N-2)** sont inégales, contactez votre réparateur EGO pour remplacer les garnitures de frein. (Fig. N)

N-1	Pignon d'entraînement	N-2	Garniture de frein
-----	-----------------------	-----	--------------------

- Pour le contrôle du guide-chaîne, voir la partie: **ENTRETIEN DU GUIDE-CHAÎNE**
- Pour le contrôle de la chaîne, voir la partie: **ENTRETIEN DE LA CHAÎNE**
- Pour tester le frein de chaîne, voir la partie: **DISPOSITIFS DE SÉCURITÉ CONTRE LES REBONDS DE CETTE**

TRONÇONNEUSE

- Pour le contrôle des commandes, voir la partie: **DÉMARRER/ÉTEINDRE LA TRONÇONNEUSE**
- Pour le contrôle du graissage de la chaîne, voir la partie: **CONTROLE DU GRAISSAGE DE LA CHAÎNE**

ENTRETIEN

NETTOYAGE

- Après chaque utilisation, enlevez les débris de la chaîne et du guide avec une brosse souple. Essuyez la surface de la tronçonneuse avec un chiffon propre humidifié avec une solution savonneuse douce.
- Pour un nettoyage en profondeur, retirez le capot latéral, enlevez le guide-chaîne et la chaîne puis utilisez une brosse douce pour retirer soigneusement les débris du guide-chaîne, de la chaîne et du pignon d'entraînement sur le bloc-moteur de la tronçonneuse.
- Enlevez tous les copeaux de bois, les sciures et les saletés du rail du guide quand vous changez la chaîne.

RETRAIT DE LA POUSSIERE

1. Débranchez la fiche secteur, laissez la tronçonneuse refroidir et serrez le bouchon du réservoir d'huile.
2. Enclenchez le frein
3. Utilisez la clé combinée (fournie) pour desserrer la vis du **couvercle du capot anti-poussières (O-1)** pour l'ouvrir (Fig. O1).
4. Nettoyez la sciure et les copeaux accumulés dans

l'ailette de refroidissement en utilisant de l'air comprimé, soufflez-les depuis l'**entrée d'air (O-2)** du côté opposé. (Fig. O2).

O-1	Capot anti-poussières	O-2	Entrée d'air
-----	-----------------------	-----	--------------

FR

ENTRETIEN DU GUIDE-CHAÎNE

Lorsque le guide-chaîne présente des signes d'usure, démontez-le du bloc-moteur de la tronçonneuse, retournez-le et remontez-le (Fig. P1) de façon à répartir l'usure pour une durée de vie maximale.

Le guide doit être nettoyé, y compris les **rails du guide (P-1)** et le **trou de lubrification (P-2)**, chaque jour d'utilisation et inspecté pour contrôler son usure et sa détérioration (Fig. P2). L'apparition de bavures et l'amincissement du guide font partie du processus normal d'usure du guide. Ces défauts doivent être lissés avec une lime dès leur apparition. Un guide présentant l'un des défauts suivants doit être changé.

Usure interne du rail du guide permettant à la chaîne de se coucher sur le côté.

- Guide tordu.
- Rail fissuré ou cassé.
- Rail élargi.

Le guide comporte un pignon à son extrémité. Le pignon doit être lubrifié toutes les semaines avec une seringue à graisse pour prolonger la durée de vie du guide (Fig. P3 et P4). Tournez le **pignon d'entraînement (P-3)** tout en pompant la graisse **jaune translucide, rouge translucide ou translucide** dans le **trou de lubrification (P-4)** jusqu'à ce que la totalité du pignon soit graissé. N'insérez pas de saletés dans le trou.

P-1	Rails du guide	P-3	Pignon d'entraînement
P-2	Trou de lubrification	P-4	Trou de lubrification

ENTRETIEN DE LA CHAÎNE

N'utilisez que des chaînes à faible rebond avec cette scie. Cette chaîne à coupe rapide permet de réduire les rebonds quand elle est correctement entretenue.

Une chaîne correctement affûtée coupe le bois sans effort, même en appuyant très faiblement. N'utilisez jamais de chaîne émoussée ou endommagée. Si la chaîne est émoussée, cela accroît la fatigue physique, les vibrations, engendre des résultats de coupe non satisfaisants et accroît l'usure.

Pour que les coupes soient rapides et fluides, la chaîne doit être correctement entretenue. La chaîne doit être affûtée quand les copeaux de bois sont petits et poudreux, quand la chaîne doit être forcée dans le bois pendant la coupe ou quand elle ne coupe que d'un côté. Pendant l'entretien de

vosre chaîne, prenez en compte les points suivants :

- Si l'angle d'affûtage par rapport à la platine latérale est incorrect, cela accroît le risque d'un rebond puissant.
- Réglage des limiteurs de profondeur. Si le retrait des limiteurs de profondeur est trop bas, cela augmente le risque de rebond. S'il n'est pas assez bas, cela réduit la capacité de coupe.
- Si les tranchants des gouges percutent des objets durs, par exemple des clous ou des pierres, ou s'ils ont été abrasés par de la boue ou du sable présent sur le bois, faites affûter la chaîne par un réparateur qualifié.

REMARQUE: il est recommandé de faire affûter et entretenir la chaîne par un réparateur agréé.

TRANSPORT ET RANGEMENT

- Ne rangez pas et ne transportez pas la tronçonneuse quand elle est en marche. Débranchez toujours la fiche secteur de l'outil avant de la ranger ou de le transporter.
- Recouvrez toujours le guide et la chaîne avec le

protège-guide avant de ranger ou de transporter la tronçonneuse. Faites attention pour éviter qu'il ne soit endommagé par les gouges de la chaîne.

- Nettoyez soigneusement la tronçonneuse avant de la ranger. Rangez la tronçonneuse en intérieur, dans un endroit sec verrouillé et/ou hors de portée des enfants.
- Veillez à ce qu'elle reste à l'écart de produits corrosifs, par exemple les produits chimiques de jardinage et les sels de déverglacage.

Protection de l'environnement



DEEE (déchet d'équipement électrique et électronique) Ne jetez pas les équipements électriques, les batteries et les chargeurs usagés avec les ordures ménagères !

Apportez ce produit dans un centre de recyclage agréé pour qu'il fasse l'objet d'une collecte séparée. Les outils électriques doivent être amenés dans un centre de recyclage pour assurer le respect de l'environnement.

DÉPANNAGE

FR

PROBLÈME	CAUSE	SOLUTION
Le moteur ne fonctionne pas.	<ul style="list-style-type: none"> ■ La fiche de l'étui de batterie n'est pas connectée à la tronçonneuse. ■ Il n'y a pas de contact électrique entre l'étui de batterie et la batterie. ■ La languette de verrouillage n'est pas repliée. ■ L'interrupteur « ON-OFF » est sur « OFF ». ■ Le frein de chaîne est engagé. 	<ul style="list-style-type: none"> ■ Branchez la fiche secteur de l'étui de batterie à la tronçonneuse. ■ Retirez la batterie, inspectez les contacts, puis réinsérez la batterie. ■ Repliez la languette de verrouillage avant le démarrage. ■ Poussez le bouton « ON/OFF » en position « ON » (MARCHE). ■ Tirez le frein de chaîne en arrière vers la poignée avant jusqu'à la position de travail.
La tronçonneuse s'arrête en cours de fonctionnement.	<ul style="list-style-type: none"> ■ La batterie ou la tronçonneuse est trop chaude. ■ Le moteur est en surcharge. ■ Des copeaux de bois bloquent le conduit de ventilation. ■ La batterie est déchargée. 	<ul style="list-style-type: none"> ■ Laissez la batterie ou la tronçonneuse refroidir ■ Diminuez la charge. ■ Nettoyez la poussière en vous référant à la partie « RETRAIT DE LA POUSSIERE ». ■ Rechargez la batterie.
Le frein de chaîne ne s'enclenche pas.	<ul style="list-style-type: none"> ■ Des débris empêchent le mouvement complet du frein de chaîne. ■ Dysfonctionnement possible du frein de chaîne. 	<ul style="list-style-type: none"> ■ Enlevez les débris du mécanisme externe du frein de chaîne ■ Contactez le service client EGO pour la réparation.
Aucune lubrification lors de la coupe.	<ul style="list-style-type: none"> ■ Le réservoir d'huile est vide. ■ La sortie d'huile du guide-chaîne est obstruée ■ Solidification de l'huile à basse température 	<ul style="list-style-type: none"> ■ Ajoutez du lubrifiant de guide et de chaîne. ■ Retirez la poussière de la sortie d'huile. ■ Utilisez une huile de graissage appropriée (qui convient aux basses températures)
Le témoin de niveau d'huile clignote en rouge ou émet une lumière inhabituelle alors que le réservoir est rempli d'huile..	<ul style="list-style-type: none"> ■ L'utilisation de la machine à un certain angle fait que l'huile du réservoir ne parvient pas jusqu'au tuyau d'huile. ■ Le type d'huile et sa couleur ne sont pas recommandés. ■ Le témoin de niveau d'huile continue de clignoter en rouge. 	<ul style="list-style-type: none"> ■ Mettez la tronçonneuse à plat et réessayez. ■ Utilisez l'huile recommandée : jaune translucide, rouge translucide ou translucide ■ Contactez le service client EGO pour la réparation.
Le témoin de niveau d'huile ne fonctionne pas alors que le réservoir manque d'huile.	<ul style="list-style-type: none"> ■ Le type d'huile et sa couleur ne sont pas reconnus. ■ Il reste une petite quantité d'huile dans le réservoir ou le tuyau d'huile ■ Le témoin de niveau d'huile ne fonctionne toujours pas pour les raisons indiquées ci-dessus. 	<ul style="list-style-type: none"> ■ Utilisez l'huile recommandée : jaune translucide, rouge translucide ou translucide ■ Utilisez la tronçonneuse pendant un certain temps puis observez à nouveau le témoin de niveau d'huile ■ Contactez le service client EGO pour la réparation.

GARANTIE

POLITIQUE DE GARANTIE EGO

Visitez le site Web egopowerplus.eu pour consulter les conditions complètes de la politique de garantie EGO.

¡LEA TODAS LAS INSTRUCCIONES!



LEA EL MANUAL DEL USUARIO

ES

SÍMBOLO DE SEGURIDAD

El propósito de los símbolos de seguridad es atraer su atención hacia posibles peligros. Los símbolos de seguridad y las explicaciones que los acompañan requieren su máxima atención y comprensión. Por sí solos, los símbolos de advertencia no eliminan los posibles peligros. Las instrucciones y advertencias que proporcionan no sustituyen a las medidas adecuadas de prevención de accidentes.

⚠️ ADVERTENCIA: Antes de utilizar esta herramienta, asegúrese de haber leído y entendido perfectamente todas las instrucciones que aparecen en este manual del usuario, incluidos todos los símbolos de aviso sobre seguridad, como «PELIGRO», «ADVERTENCIA» y «PRECAUCIÓN». Si no se observan todas las instrucciones que se indican a continuación existe riesgo de incendio, electrocución y lesiones graves.

SIGNIFICADO DE LOS SÍMBOLOS

Esta página muestra y describe los símbolos de seguridad que puede haber en este producto. Asegúrese de leer, comprender y cumplir todas las instrucciones que se indican en la máquina antes de proceder a su montaje y utilización.

SÍMBOLOS DE SEGURIDAD



Aviso de seguridad



Utilice guantes resistentes fabricados con material duradero.



Utilice calzado de seguridad antideslizante.



Tenga cuidado con el retroceso: debe evitarse el contacto de la punta de la espada con cualquier objeto.



Retroceso de la punta de la espada: el contacto de la punta con algún objeto puede hacer que rebote bruscamente hacia arriba y hacia atrás, pudiendo provocar lesiones graves.



Este producto cumple la legislación aplicable del Reino Unido.



Nivel de potencia acústica garantizado.



Este producto está en conformidad con las directivas de la CE aplicables.

IPX5 Protección contra chorros de agua



Para reducir el riesgo de lesiones, el usuario debe leer y comprender el manual del usuario antes de utilizar este producto.



Utilice ropa ajustada. No utilice ninguna bufanda, pañuelo en el cuello ni joyas.



Utilice gafas de seguridad, tapones para los oídos u orejeras del tamaño adecuado y un casco duro con tira en la barbilla.



Sujetar con las dos manos: utilice siempre ambas manos cuando use la motosierra.



Observe la información referente a la espada.



Los productos eléctricos no deben eliminarse con la basura doméstica. Lívelos a un centro de reciclaje autorizado.

V Voltios

— — — Corriente continua

ESPECIFICACIONES

Tensión	56 V	
Temperatura de funcionamiento recomendada:	-15°C-40°C	
Temperatura de almacenamiento recomendada:	-40°C-70°C	
Temperatura óptima de carga	5°C-40°C	
Longitud de corte	300 mm	
Velocidad de la cadena	20 m/s	
Paso de cadena	3/8" (9,5mm)	
Calibre de la cadena	1,1 mm	
Tipo de cadena de la motosierra	AC1200 (recomendado) AC1400/AC1401 (compatible) AC1600/AC1601 (compatible)	
Tipo de espada	AG1200 (recomendado) AG1400/AG1401 (compatible) AG1600/AG1601 (compatible)	
Paso de la cadena	3/8" (9,5 mm)	
Calibre de la cadena	1,1 mm	
Número especificado de dientes del piñón de la cadena	6	
Capacidad del depósito de aceite de la cadena	250 ml	
Peso (sin batería ni protector de espada)	3,5 kg	
Nivel de potencia acústica medido L_{WA}	98,8 dB(A) K=3 dB(A)	
Nivel de presión acústica medido en la posición del usuario L_{PA}	88,1 dB(A) K=3 dB(A)	
Nivel de potencia acústica garantizado L_{WA} (medido según 2000/14/CE)	102 dB(A)	
Nivel de vibraciones a_h	Empuñadura delantera	1,73 m/s ² K= 1,5 m/s
	Empuñadura principal	2,21 m/s ² K= 1,5 m/s

- El valor de vibración total ha sido medido de acuerdo con el método de prueba estándar y se puede utilizar para comparar herramientas.
- El valor total de vibración declarado se puede usar además en una evaluación preliminar del grado de exposición.

AVISO: Las vibraciones generadas durante el uso real de la herramienta eléctrica pueden diferir del valor declarado en función de la manera en que se utilice. Como protección, el usuario debería utilizar guantes y protectores auditivos en condiciones reales de uso.

ES

DESCRIPCIÓN

FAMILIARÍCESE CON SU MOTOSIERRA (fig. A1)

1. Cadena de la sierra
2. Palanca de freno de retroceso
3. Lengüeta de bloqueo
4. Empuñadura principal
5. Gatillo interruptor para la velocidad variable
6. Anilla
7. Indicador de la batería
8. Indicador de nivel de aceite bajo
9. Empuñadura delantera
10. Tapón del depósito de aceite
11. Espada
12. Orificio de lubricación
13. Piñón
14. Tornillo de tensión de la cadena
15. Interruptor de encendido/apagado de seguridad
16. Perno de guía
17. Tuerca de la espada
18. Conjunto de la tapa lateral
19. Tapa del tornillo de ajuste del flujo de aceite
20. Cubierta de eliminación de polvo
21. Mecanismo de expulsión
22. Contactos eléctricos
23. Botón de liberación de la batería
24. Gancho del cinturón
25. Hebilla
26. Correa
27. Estrobo
28. Anilla 1
29. Gancho de la sierra
30. Enchufe
31. Anilla 2
32. Funda de la espada
33. Llave combinada

LISTA DE CONTENIDO (FIG. A1)

MONTAJE

ES


MONTAJE Y DESMONTAJE DE LA ESPADA Y LA CADENA

⚠️ ADVERTENCIA: Desconecte siempre el enchufe y lleve guantes de protección antes de montar el producto o realizar tareas de mantenimiento.

⚠️ ADVERTENCIA: Lea todas las advertencias de seguridad, instrucciones, ilustraciones y especificaciones incluidas con esta herramienta eléctrica. Si no se cumplen todas las instrucciones que se enumeran a continuación, pueden producirse descargas eléctricas, incendios o lesiones graves.

⚠️ ADVERTENCIA: Asegúrese de pedir la espada y la cadena de sierra indicadas en este manual. De lo contrario, pueden producirse lesiones graves.

Conserve todas las instrucciones y advertencias para poder consultarlas en el futuro.

1. Compruebe que la palanca de freno de retroceso esté en la posición .
2. Desenrosque la **tuercas de la espada (A-17)** en sentido antihorario para quitar el **conjunto de la tapa lateral (A-18)**.
3. Coloque la cadena cerrada de motosierra sobre una superficie plana y enderece cualquier doblez. (Fig. B1)
4. Coloque los **eslabones de arrastre (B-1)** en el **carril (B-2)** de la espada, y haga un bucle con la cadena en la parte trasera de la espada. (Fig. B2)
5. Sujete la cadena en su sitio en la espada y pase el bucle alrededor del **piñón de la cadena (B-3)** del cabezal de la motosierra, y compruebe los elementos siguientes (fig. B3):
 - a) Los eslabones de arrastre de la cadena están colocados en los dientes del **piñón de la cadena (B-3)**.
 - b) El **tornillo de tensión de la cadena (B-4)** y el **perno de guía (B-5)** se encuentran en la ranura de la espada. La **espiga de tensión (B-6)** está enclavada en el orificio de la espada.

AVISO: Asegúrese de que los dientes de la cadena de la sierra estén orientados siempre hacia delante (Fig. B3).

6. Consulte el apartado «**TENSAR LA CADENA DE LA SIERRA**» para comprobar que la cadena esté instalada correctamente y que no esté trabada.

7. Alinee las dos **barras de guía (B-7)** del conjunto de la tapa lateral respecto a los **orificios (B-8)** de la sierra y, a continuación, instale el conjunto de la tapa lateral. (Fig. B4)

8. Apriete la tuerca de la espada.

B-1	Eslabones de arrastre	B-5	Perno de guía
B-2	Ranura	B-6	Espiga de tensión de la cadena
B-3	Piñón de la cadena	B-7	Barras de guía
B-4	Tornillo de tensión de la cadena	B-8	Orificios

AVISO: Si fuese necesario cambiar la espada, desmonte el conjunto de la tapa lateral y vuelva a montarlo con la nueva espada como se muestra en la fig. C.

FUNCIONAMIENTO

Antes de cada uso, inspeccione el producto completo para verificar que no esté dañado y que no falte ni esté suelta ninguna pieza, como tornillos, tuercas, pernos, etc. Apriete de forma segura todos los elementos de sujeción y los taponos, y no use este producto hasta que hayan sido sustituidas todas las piezas que falten o estén dañadas.

⚠️ ADVERTENCIA: Algunas normativas nacionales pueden limitar el uso de la máquina.

⚠️ ADVERTENCIA: No utilice la máquina si está cansado, enfermo o bajo la influencia de alcohol u otras drogas.

NOTA: Si la máquina está fuera de control, por ejemplo, debido a retroceso, apague la alimentación eléctrica inmediatamente.

UTILIZACIÓN

El producto puede utilizarse con lluvia.

- La motosierra está diseñada específicamente para tareas de poda y mantenimiento en árboles.



Esta sierra solo deben utilizarla las personas que hayan recibido una formación específica para realizar trabajos de mantenimiento de árboles.

AVISO: Cuando una persona vaya a utilizar la motosierra por primera vez, se recomienda que practique como mínimo cortando troncos sobre un caballete para serrar o un soporte.

TENSAR LA CADENA DE LA SIERRA

⚠️ ADVERTENCIA: Nunca toque ni ajuste la cadena con el motor en marcha. La cadena está muy afilada; utilice siempre guantes de protección para realizar cualquier tarea de mantenimiento en la cadena.

La cadena se expande o se contrae durante el uso normal de la sierra. Esto provoca cambios en la tensión de la cadena. Compruebe regularmente la tensión de la cadena cuando utilice la sierra, y reajústela cuando sea necesario.

1. Apague la motosierra, accione el freno de la cadena y desconecte el enchufe.
2. Suelte la tuerca de la espada de modo que se pueda mover libremente la espada para el ajuste posterior.
3. Mantenga la punta de la espada hacia arriba y ajuste el tornillo de tensión hasta que se apliquen los puntos siguientes:
 - a) La holgura de la espada en el centro de la cadena es aproximadamente: 1 - 2 mm (fig. D).
 - b) Suelte el freno de la cadena, asegúrese de que la cadena se pueda pasar a lo largo de la espada con dos dedos.

AVISO: Realice este paso con cuidado para evitar lesiones. Debido a que este motor de CC contiene material magnético, en comparación con una motosierra convencional a gasolina, cuando se mueve la cadena con dos dedos se nota cierta resistencia. No es tan suave como en una motosierra a gasolina.

4. Mantenga la punta de la espada hacia arriba y apriete la tuerca de la espada.

AVISO: En caso de que la cadena no tenga una holgura de 1 - 2 mm, reajuste la tensión de la cadena.

LLENAR EL DEPÓSITO DE ACEITE

1. Desconecte la batería de la motosierra.
2. Coloque la motosierra de costado sobre una superficie firme y plana, de manera que el tapón del depósito de aceite quede hacia arriba. Abra el tapón del depósito de aceite. Si está demasiado apretado, utilice el lado de ranura de la llave combinada (incluida) para aflojarlo (fig. E).
3. Con cuidado, vierta aceite en el depósito. Llene el depósito hasta alcanzar la parte inferior de la boca de llenado. Limpie con un paño el exceso de aceite y cierre el tapón.

AVISO:

- La motosierra no se suministra llena de aceite. Es esencial llenar de aceite el depósito antes de utilizarla. La cadena se lubrica de forma automática con aceite para cadenas durante el funcionamiento.
- Este ha sido especialmente diseñado para proporcionar una menor fricción y unos cortes más rápidos.
- Nunca utilice aceites o lubricantes no diseñados específicamente para espadas y cadenas. De lo contrario, podrían producirse obstrucciones en el sistema de lubricación que podrían provocar el desgaste prematuro de la espada y la cadena.

AJUSTAR EL FLUJO DE ACEITE (Fig. F)

- Esta sierra está equipada con un **tornillo de ajuste del flujo de aceite (F-1)**, situado en la parte inferior de la herramienta, que sirve para ajustar el flujo de aceite para lubricar la cadena, la espada y el sistema de corte. Aumente o reduzca el flujo de aceite en la dirección de las flechas marcadas en la carcasa.

INDICADOR LED EN LA MOTOSIERRA

La motosierra está equipada con dos indicadores LED que muestran el nivel de aceite y el nivel de carga de la(s) batería(s).

Indicador LED		Significado	Acción
Indicador de nivel de aceite bajo (A-8)	Parpadeando en rojo	Nivel de aceite bajo	Llene el depósito de aceite
	Apagado	Nivel de aceite adecuado	/
Indicador de la batería (A-7)	Encendido en verde	La batería tiene suficiente energía	/
	Parpadeando en verde	La batería está casi agotada y debe recargarse inmediatamente.	Cargue la batería

CONECTAR EL SOPORTE DE LA BATERÍA AL ARNÉS DE ESCALADA

Esta motosierra incluye un soporte de batería que sirve para llevar la batería y que se puede conectar al arnés de escalada (no incluido).

AVISO: Sujete firmemente el soporte de la batería en el arnés de escalada antes de ponerse el arnés.

⚠ ADVERTENCIA: el arnés de escalada con función de apertura rápida tiene que estar preparado para evitar que se produzca una emergencia.

1. escoja el lugar que prefiera para colgar el soporte de la batería en el arnés de escalada, y enganche el soporte de la batería al arnés utilizando el **gancho del cinturón (G-1)** (Fig. G1)
2. Pase la cinta alrededor del arnés de escalada para fijar en su lugar el soporte de la batería (fig. G2 y G3).
3. Enganche las dos **anillas (G-2)** del estrobo de seguridad al arnés de escalada, utilizando dos mosquetones (no incluidos), como se muestra en la fig. G4.

G-1	Gancho del cinturón	G-2	Anillas
-----	---------------------	-----	---------

AVISO:

- Cuando esté subiendo al árbol, enganche las anillas 1 y 2 del estrobo de seguridad al arnés de escalada utilizando mosquetones (no incluidos) (fig. G5).
- Cuando esté usando la herramienta, desenganche la anilla 2 del arnés de escalada, y sujete la sierra con las dos manos para realizar el corte (fig. G6).

ENGANCHAR LA BATERÍA AL SOPORTE

Una el **gancho de la sierra (H-2)** del estrobo de seguridad a la **anilla (H-1)**. (Fig. H)

H-1	Anilla	H-2	Gancho de la sierra
-----	--------	-----	---------------------

INSTALAR/QUITAR LA BATERÍA

AVISO: Cargue totalmente la batería antes del primer uso.

Instalación (fig. I1)

Alinee las nervaduras de la batería con las ranuras de montaje; a continuación, introduzca la batería en el soporte, deslizándola hasta que quede enclavada en la posición correcta.

Extracción (fig. I2)

Presione el botón de liberación de la batería con el pulgar para quitarla del soporte.

PUESTA EN MARCHA/PARADA DE LA MOTOSIERRA

Puesta en marcha

1. Alinee las marcas «▲» del **enchufe (J-2)** y de la **conexión de alimentación eléctrica (J-1)** de la motosierra. A continuación, inserte el enchufe en la motosierra hasta que la junta VERDE del enchufe desaparezca **COMPLETAMENTE** al quedar introducida en la conexión de alimentación (fig. J1).
2. Ponga el interruptor de encendido/apagado «ON/OFF» en la posición «ON» (fig. J2).
3. Tire de la palanca del freno de retroceso hacia la empuñadura principal hasta la posición
4. Mueva hacia delante la **lengüeta de bloqueo (J-3)** y, a continuación, apriete el **gatillo interruptor para la velocidad variable (J-4)**. Cuanto más apriete el gatillo para la velocidad variable, mayor será la velocidad de giro de la cadena (fig. J3).

J-1	Conexión de alimentación eléctrica	J-3	Lengüeta de bloqueo
J-2	Enchufe	J-4	Gatillo interruptor para la velocidad variable

Parada

1. Suelte el gatillo interruptor para la velocidad variable para parar la motosierra.

AVISO: La cadena de la sierra seguirá girando brevemente después de soltar el gatillo interruptor para la velocidad variable. Tenga cuidado de evitar el contacto después de soltar el gatillo interruptor para la velocidad variable y cuando deposite la motosierra.

2. Empuje hacia delante la palanca de freno de retroceso hasta la posición «».
3. Ponga el interruptor de encendido/apagado «ON/OFF» en la posición «OFF».

ADVERTENCIA: Desconecte siempre el enchufe de la motosierra durante las pausas de trabajo y cuando haya finalizado la tarea.

PREPARACIÓN PARA EL CORTE

Sujeción correcta de las empuñaduras (fig. K)

- Utilice guantes antideslizantes para un mayor agarre y protección.
- Sujete siempre la empuñadura delantera con la mano izquierda y la empuñadura principal con la mano derecha.
- Los dedos deberán envolver la empuñadura, con el pulgar plegado debajo de la empuñadura delantera.

ADVERTENCIA: Nunca sujete la motosierra con las manos colocadas al revés de lo indicado (como si fuera zurdo) ni en cualquier otra postura que pudiera colocar su cuerpo o brazo en la trayectoria de la línea de corte de la cadena.

ADVERTENCIA: No accione el gatillo interruptor con la mano izquierda y sujete la empuñadura delantera con la mano derecha. No deje nunca que ninguna parte de su cuerpo quede en la trayectoria de la línea de corte de la cadena cuando use una motosierra (fig. L).

COMPROBAR LA LUBRICACIÓN DE LA CADENA (Fig. M)

AVISO: Asegúrese de que el depósito de aceite de la motosierra esté lleno con el volumen adecuado de aceite para cadenas.

1. Mantenga la espada sobre una superficie de color claro.
2. Encienda la motosierra. Si la lubricación de la cadena funciona bien, verá claramente una línea de aceite sobre la superficie de color claro al cabo de 1 minuto.
3. En caso de que todavía no se vea el aceite para cadenas sobre la superficie de color claro, consulte el apartado

«AJUSTAR EL FLUJO DE ACEITE» para ajustarlo.

USO EN EL ÁRBOL

⚠ ADVERTENCIA: cuando suba a un árbol o cuando trabaje en él, le recomendamos que utilice un apoyo adicional, como un estribo para el pie o un amarre ajustable, para evitar un accidente por balanceo o corte.

Antes de usar la herramienta, compruebe lo siguiente:

- Observe si hay marcas de desgaste en el **piñón de la cadena (N-1)**. Si las marcas de desgaste tienen una profundidad mayor que 0,5 mm, póngase en contacto con su proveedor de servicio técnico de EGO para que cambie el piñón de la cadena.
- Compruebe también el sistema de frenado. Si las marcas de desgaste en la **guarnición del freno (N-2)** son irregulares, póngase en contacto con su proveedor de servicios de EGO para que cambie la guarnición del freno. (Fig. N)

N-1	Piñón de la cadena	N-2	Guarnición del freno
-----	--------------------	-----	----------------------

- Para comprobar la espada, consulte el apartado correspondiente:
MANTENIMIENTO DE LA ESPADA
- Para comprobar la cadena, consulte el apartado correspondiente:
MANTENIMIENTO DE LA CADENA
- Para comprobar el freno de la cadena, compruebe el apartado correspondiente:
DISPOSITIVOS D SEGURIDAD ANTI-RETROCESO EN ESTA

MOTOSIERRA

- Para comprobar los controles, consulte el apartado correspondiente:
PUESTA EN MARCHA/PARADA DE LA MOTOSIERRA
- Para comprobar la lubricación de la cadena, consulte el apartado correspondiente:
COMPROBAR LA LUBRICACIÓN DE LA CADENA

MANTENIMIENTO

LIMPIEZA

- Después de cada uso, limpie cualquier residuo o acumulación de material de la cadena y la espada utilizando un cepillo suave. Limpie la superficie de la motosierra con un paño limpio, humedecido con una solución de agua y jabón suave.

- Para limpiarla en profundidad, quite el conjunto de la tapa lateral, saque la espada y la cadena de la sierra y, a continuación, utilice un cepillo suave para eliminar a fondo todos los residuos de la espada, la cadena y el piñón en el cabezal de la motosierra.
- Limpie siempre las virutas de madera, serrín y suciedad acumulada en el carril de la espada cuando cambie la cadena.

ES

ELIMINAR EL POLVO

1. Desconecte el enchufe, espere a que la motosierra se enfríe y apriete el tapón del depósito de aceite.
2. Accione el freno de la sierra
3. Use la llave combinada (incluida) para aflojar el tornillo de la **cubierta de eliminación de polvo (O-1)** para abrirla (fig. O1).
4. Limpie el serrín y las virutas que se hayan acumulado en las aletas de refrigeración utilizando aire comprimido seco y soplándolo desde la **entrada de aire (O-2)** en el lado contrario. (Fig. O2).

O-1	Cubierta de eliminación de polvo	O-2	Entrada de aire
-----	----------------------------------	-----	-----------------

MANTENIMIENTO DE LA ESPADA

Cuando observe signos de desgaste en la espada, desmóntela del cabezal de la motosierra y vuelva a montarla en posición invertida (fig. P1), de modo que el desgaste se reparta y se maximice la vida útil de la espada.

La espada, incluyendo los **carriles (P-1)** y el **orificio de lubricación (P-2)**, deberá limpiarse cada día después del uso y examinarse por si presentase desgaste o daños (fig. P2). Los rebordes o rebabas presentes en el carril de la espada son un proceso normal de desgaste de la espada. Dichas anomalías deberán alisarse con una lima en cuanto se produzcan. Una espada que muestre cualquiera de las siguientes anomalías deberá sustituirse.

Desgaste en el carril de la espada que permite a la cadena acostarse hacia los lados.

- Espada doblada o deformada.
- Carril con grietas o roturas.
- Carril ensanchado.

La espada tiene un piñón en la punta. El piñón deberá lubricarse semanalmente utilizando una jeringa o pistola de engrase, para prolongar la vida útil de la espada (fig. P3 y P4). Gire el **piñón delantero (P-3)** mientras introduce la grasa **amarilla translúcida, roja translúcida o translúcida** en el **orificio de lubricación (P-4)**, hasta que haya grasa nueva en todo el piñón. No introduzca suciedad en el orificio.

P-1	Carriles de la espada	P-3	Piñón
P-2	Orificio de lubricación	P-4	Orificio de lubricación

ES

MANTENIMIENTO DE LA CADENA

Utilice únicamente cadenas de bajo retroceso en esta motosierra. Esta cadena de corte rápido provocará menos retrocesos si se mantiene correctamente.

Una cadena de motosierra correctamente afilada cortará a través de madera sin esfuerzo, incluso ejerciendo una presión mínima. Nunca utilice una cadena embotada o dañada. Unos dientes de corte de cadena embotados requerirán mayor esfuerzo para cortar por parte del usuario, además de generar más vibraciones y proporcionar unos resultados de corte poco satisfactorios, y serán más propensos a sufrir desgaste.

Para poder cortar con suavidad y rapidez, la cadena deberá mantenerse correctamente. Será necesario afilar la cadena cuando las virutas de madera producidas sean pequeñas y de una consistencia polvorienta, cuando sea necesario un gran esfuerzo para que la cadena penetre a través de la madera durante el corte, o si la cadena corta hacia un lado. A llevar a cabo el mantenimiento de la cadena, tenga en cuenta lo siguiente:

- Un ángulo de afilado incorrecto de las placas laterales de los dientes puede aumentar los riesgos de fuerte retroceso.
- Altura del limitador de profundidad. Si es demasiado baja, aumentará la posibilidad de retroceso. Si no es lo bastante baja, disminuirá la capacidad de corte.
- Si los dientes de corte han golpeado objetos duros, como clavos y piedras, o bien han sufrido desgaste debido a fricción con lodo o arena en la madera, confíe el afilado de la cadena a personal técnico cualificado.

AVISO: Se recomienda que el afilado y el mantenimiento de la **cadena de la sierra** se realicen en centros de servicio técnico autorizados.

TRANSPORTE Y ALMACENAMIENTO

- No almacene ni transporte la motosierra mientras está funcionando. Desconecte siempre el enchufe antes de guardar o transportar la herramienta.
- Coloque siempre el protector de espada en la cadena y la espada antes de guardar o transportar la motosierra. Tenga cuidado para evitar cortarse con los dientes afilados de la cadena.

- Limpie a fondo la motosierra antes de guardarla. Guarde la motosierra en interiores, en un lugar seco, cerrado bajo llave o inaccesible para los niños.
- Manténgala apartada de agentes corrosivos, como productos químicos de jardinería y sal para deshielo.
- **Protección del medio ambiente**



RAEE (Residuos de Aparatos Eléctricos y Electrónicos) ¡No elimine aparatos eléctricos, baterías usadas ni cargadores de baterías junto con los desperdicios domésticos! Lleve este producto a un punto de reciclaje autorizado y deposítelo por separado según corresponda. Las herramientas eléctricas se deben llevar a un punto de reciclaje con fin de proteger el medio ambiente.

SOLUCIÓN DE PROBLEMAS

PROBLEMA	CAUSA	SOLUCIÓN
El motor no arranca.	<ul style="list-style-type: none"> ■ El enchufe del soporte de la batería no está correctamente insertado en la motosierra. ■ No hay contacto eléctrico entre el soporte de la batería y la batería. ■ La lengüeta de bloqueo no está levantada. ■ El interruptor de encendido/apagado «ON-OFF» está en la posición «OFF». ■ Freno de cadena activado. 	<ul style="list-style-type: none"> ■ Conecte a la motosierra el enchufe del soporte de la batería. ■ Quite la batería, compruebe los contactos eléctricos y vuelva a instalarla. ■ Levante la lengüeta de bloqueo antes de arrancar la herramienta. ■ Ponga el interruptor de encendido/apagado «ON/OFF» en la posición «ON». ■ Tire hacia atrás de la palanca del freno de retroceso hacia la empuñadura superior, hasta la posición de funcionamiento.
La cadena se para durante el funcionamiento.	<ul style="list-style-type: none"> ■ La batería o la motosierra se han sobrecalentado. ■ La motosierra se ha sobrecargado. ■ Una cantidad excesiva de pedazos de madera bloquea el canal de ventilación. ■ La batería está agotada. 	<ul style="list-style-type: none"> ■ Enfríe la batería o la motosierra. ■ Reduzca la carga. ■ Limpie el polvo. Consulte el apartado «ELIMINAR EL POLVO». ■ Cargue la batería.
El freno de cadena no se activa.	<ul style="list-style-type: none"> ■ Los residuos acumulados impiden el desplazamiento completo de la palanca del freno de retroceso. ■ Posible avería del freno de cadena. 	<ul style="list-style-type: none"> ■ Limpie los residuos del mecanismo del freno de cadena exterior. ■ Póngase en contacto con el departamento de atención al cliente de EGO para solicitar una reparación.
No se realiza la lubricación con aceite durante el corte.	<ul style="list-style-type: none"> ■ El depósito de aceite de cadena está vacío. ■ La salida de aceite de la espada está bloqueada. ■ Solidificación del aceite a baja temperatura. 	<ul style="list-style-type: none"> ■ Rellene el depósito de lubricante para espada y cadena. ■ Limpie el polvo de la salida de aceite. ■ Cambie al aceite lubricante correcto (adecuado para baja temperatura)
El indicador de nivel de aceite bajo parpadea de color rojo o muestra una luz anómala mientras se llena de aceite el depósito.	<ul style="list-style-type: none"> ■ El uso de la herramienta en un ángulo especial hace que el aceite del depósito no penetre en el conducto de aceite. ■ No se ha usado aceite del color y la categoría recomendados. ■ El indicador de nivel de aceite bajo sigue parpadeando de color rojo. 	<ul style="list-style-type: none"> ■ Coloque la motosierra en posición plana y vuelva a intentarlo. ■ Use el aceite recomendado amarillo translúcido, rojo translúcido o translúcido. ■ Póngase en contacto con el departamento de atención al cliente de EGO para solicitar una reparación.
El indicador de nivel de aceite bajo no funciona cuando queda poco aceite en el depósito.	<ul style="list-style-type: none"> ■ No se puede identificar la categoría y el color del aceite. ■ En el depósito o el conducto de aceite aún queda una pequeña cantidad de aceite ■ El indicador de nivel de aceite bajo sigue sin funcionar por las razones mencionadas arriba. 	<ul style="list-style-type: none"> ■ Use el aceite recomendado amarillo translúcido, rojo translúcido o translúcido. ■ Utilice la motosierra durante un rato y después observe de nuevo el indicador de nivel de aceite bajo. ■ Póngase en contacto con el departamento de atención al cliente de EGO para solicitar una reparación.

ES

GARANTÍA

POLÍTICA DE GARANTÍA DE EGO

Visite la página web egopowerplus.eu para conocer los términos y condiciones completos de la política de garantía de EGO.

LEIA TODAS AS INSTRUÇÕES!



LEIA O MANUAL DE INSTRUÇÕES

PT

SÍMBOLO DE SEGURANÇA

O objetivo dos símbolos de segurança é chamar a atenção para possíveis perigos. Os símbolos de segurança e as explicações apresentadas com eles requerem a sua atenção e compreensão. Os avisos de segurança, só por eles, não eliminam o perigo. As instruções e avisos dados não são substitutos para medidas de prevenção adequadas a acidentes.

⚠ AVISO: Certifique-se de que lê e compreende todos os avisos de segurança neste manual do utilizador, incluindo todos os símbolos de alerta de segurança, como “**PERIGO**”, “**AVISO**” e “**CUIDADO**” antes de usar esta ferramenta. Não seguir todas as instruções apresentadas abaixo pode resultar em choque elétrico, incêndio e/ou ferimentos graves.

SIGNIFICADO DOS SÍMBOLOS

Esta página retrata e descreve os símbolos de segurança que podem aparecer neste produto. Leia, compreenda e siga todas as instruções na máquina antes de tentar montar e utilizar.

SAFETY SYMBOLS



Alerta de segurança



Use luvas de trabalho resistentes, fabricadas com material durável.



Use calçado de segurança antiderrapante.



Tenha cuidado com os ressaltos - Evite o contacto da ponta da barra de orientação com qualquer objeto.



Ressalto da ponta da barra de orientação - O contacto da ponta pode fazer com que a barra de orientação suba e retroceda de repente, o que pode causar ferimentos sérios.



Este produto está em conformidade com a legislação aplicável do Reino Unido.



Nível de potência do som garantido.



Este produto encontra-se em conformidade com as diretivas CE aplicáveis.

IPX5

Proteção contra jatos de água



Para reduzir o risco de ferimentos, o utilizador tem de ler e compreender o manual do utilizador antes de utilizar este produto.



Use roupa justa. Não use cachecol, gravata ou jóias.



Use óculos de segurança justos, proteções auditivas e capacete com alça para o queixo.



Segure com as duas mãos - Utilize sempre ambas as mãos quando utilizar a motosserra.



A informação da barra de orientação.



Os produtos elétricos residuais não deverão ser eliminados juntamente com o lixo doméstico comum. Entregue-os num centro de reciclagem autorizado.

V

Volts



Corrente direta

CARACTERÍSTICAS TÉCNICAS

Voltagem	56 V	
Temperatura de funcionamento recomendada:	-15°C-40°C	
Temperatura de armazenamento recomendada:	-40°C-70°C	
Temperatura de carregamento ótima	5°C-40°C	
Comprimento de corte	300 mm	
Velocidade da corrente	20 m/s	
Engate da serra	3/8" (9,5 mm)	
Extremidade da corrente	1.1 mm	
Tipo de corrente da serra	AC1200 (Recomendado) AC1400/AC1401 (Compatível) AC1600/AC1601 (Compatível)	
Tipo de barra de orientação	AG1200 (Recomendado) AG1400/AG1401 (Compatível) AG1600/AG1601 (Compatível)	
Engate da corrente	3/8" (9,5 mm)	
Extremidade da corrente	1,1 mm	
Número especificado de dentes da roda dentada motriz	6	
Capacidade do depósito do óleo da corrente	250 ml	
Peso (sem a bateria, bainha da corrente)	3,5 kg	
Nível de potência do som medido L_{WA}	98,8 dB(A) K=3 dB(A)	
Nível de pressão do som na posição de trabalho L_{PA}	88,1 dB(A) K=3 dB(A)	
Nível de potência do som garantido L_{WA} (de acordo com a 2000/14/CE)	102 dB(A)	
Vibração a_h	Pega dianteira	1,73 m/s ² K= 1,5 m/s
	Pega principal	2,21 m/s ² K= 1,5 m/s

- O valor total declarado da vibração foi medido de acordo com um método de teste padrão e pode ser usado para comparar duas ferramentas.
- O valor total declarado da vibração também pode ser usado numa avaliação preliminar da exposição.

AVISO: A emissão de vibrações durante a utilização da ferramenta elétrica pode diferir do valor declarado em que a ferramenta é usada. De modo a proteger o utilizador, este deverá usar luvas e proteção auditiva nas condições atuais de utilização.

PT

DESCRIÇÃO

CONHEÇA A SUA MOTOSSERRA (Imagem A1)

1. Corrente da serra
2. Pá do travão do ressalto
3. Trinco de fixação
4. Pega principal
5. Gatilho da velocidade variável
6. Ilhó
7. Indicador da bateria
8. Indicador de pouco óleo
9. Pega dianteira
10. Tampa do depósito do óleo
11. Barra de orientação
12. Orifício de lubrificação
13. Roda dentada
14. Parafuso de tensão
15. Interruptor de segurança de ligar/desligar
16. Parafuso guia
17. Porca da barra
18. Conjunto da cobertura lateral
19. Cobertura do parafuso de ajuste do fluxo do óleo
20. Cobertura de remoção do pó
21. Mecanismo de ejeção
22. Contactos elétricos
23. Botão de libertação da bateria
24. Gancho da correia
25. Fivela
26. Alça
27. Alça de segurança
28. Anel 1
29. Gancho da serra
30. Ficha elétrica
31. Anel 2
32. Bainha da corrente
33. Chave combinada

LISTA DE PEÇAS (IMAGEM A1)

MONTAGEM


MONTAR/DESMONTAR A BARRA E A CORRENTE

AVISO: Retire sempre a ficha da tomada e use luvas de proteção antes de proceder à montagem ou manutenção do produto.

AVISO: Leia todos os avisos de segurança, instruções, ilustrações e especificações fornecidas com esta ferramenta elétrica. Não seguir todas as instruções apresentadas abaixo pode resultar em choque elétrico, incêndio e/ou ferimentos graves.

AVISO: Certifique-se de que encomenda a barra e a corrente da serra listadas neste manual. O não seguimento pode dar origem a ferimentos sérios.

Guarde todos os avisos e instruções para futuras referências.

1. Certifique-se de que a pá do travão do ressalto está definida para a posição .
2. Desenrosque a **porca da barra (A-17)** no sentido inverso ao dos ponteiros do relógio para retirar o **conjunto da cobertura lateral (A-18)**.
3. Coloque a corrente da serra num arco numa superfície plana e endireite quaisquer dobras. (Imagem B1)
4. Coloque os **elos condutores (B-1)** na **ranhura (B-2)** na barra de orientação e faça a corrente criar um arco na parte traseira da barra de orientação. (Imagem B2)
5. Segure a corrente em posição na barra de orientação e coloque o arco à volta da **roda dentada da corrente (B-3)** da cabeça de alimentação, e verifique os seguintes pontos (Imagem B3):
 - a) Os elos condutores da corrente estão assentes nos dentes da **roda dentada da corrente (B-3)**.
 - b) O **parafuso de tensão (B-4)** e o **parafuso guia (B-5)** encontram-se na ranhura da barra de orientação. A **cavilha de tensão (B-6)** está encaixada no orifício da barra de orientação.

AVISO: Certifique-se de que a direção das setas nos dentes da corrente da serra fica sempre virada para a frente (Imagem B3).

6. Consulte a secção **“APERTAR A CORRENTE DA SERRA”** para se certificar de que a corrente fica devidamente montada sem prender.
7. Alinhe as duas **hastes guia (B-7)** do conjunto da cobertura lateral com os respetivos orifícios (B-8) na

serra, depois encaixe o conjunto da cobertura lateral. (Imagem B4)

8. Aperte a porca da barra.

B-1	Elos condutores	B-5	Parafuso guia
B-2	Ranhura	B-6	Cavilha de tensão
B-3	Roda dentada da corrente	B-7	Hastes guia
B-4	Parafuso de tensão	B-8	Orifícios

AVISO: Se a barra de orientação tiver de ser substituída, desmonte o conjunto da cobertura lateral e volte a montar com a nova barra de orientação, conforme apresentado na Imagem C.

FUNCIONAMENTO

Antes de cada utilização, inspecione o produto quanto a danos, peças em falta ou soltas, como parafusos ou porcas, etc. Aperte bem todos os fixadores e tampas e não utilize este produto até que todas as peças em falta ou danificadas sejam substituídas.

AVISO: Alguns regulamentos nacionais podem restringir o uso da máquina.

AVISO: Quando estiver cansado, doente ou sob a influência de álcool ou outras drogas, não utilize a máquina.

NOTA: Se perder o controlo da máquina, por exemplo, devido a um ressalto, desligue a alimentação imediatamente.

APLICAÇÃO

O produto pode ser usado à chuva.

- Esta motosserra foi criada especificamente para trabalhos em árvores e manutenção.



Ela só deverá ser usada por pessoas com formação especial no trabalho de manutenção de árvores.

AVISO: Recomendamos que, quando utilizar o aparelho pela primeira vez, pratique um pouco, cortando troncos num cavalete ou suporte.

EFETUAR A TENSÃO DA CORRENTE DA SERRA

AVISO: Nunca toque nem ajuste a corrente enquanto o motor estiver a funcionar. A serra está muito afiada. Use sempre luvas de proteção quando efetuar a manutenção da serra.

A corrente da serra expande-se ou contrai durante o funcionamento normal. Como resultado, a tensão da corrente muda. Verifique regularmente a tensão da

corrente durante o funcionamento, e reajuste-a se necessário.

1. Desligue a motosserra, ative o travão da corrente e retire a ficha da tomada.
2. Desaperte a porca da barra, de modo a que a barra de orientação se possa mover livremente, para futuros ajustes.
3. Segure o nariz da barra para cima e ajuste o parafuso de tensão até que os seguintes pontos sejam válidos:
 - a) A folga da corrente no centro da barra é de cerca de: 1-2 mm (Imagem D).
 - b) Liberte o travão da corrente e certifique-se de que a corrente pode ser puxada ao longo da barra com os dois dedos.

AVISO: Efetue este passo cuidadosamente para evitar ferimentos pessoais. Como este motor DC contém material magnético, quando comparado com as motosserras a gasolina convencionais, quando utiliza a motosserra com dois dedos, sentirá alguma resistência. Não é tão suave como com motosserras a gasolina.

4. Segure o nariz da barra para cima e aperte a porca da barra.

AVISO: Se a folga da corrente no centro da barra não for de 1 a 2 mm, reajuste a tensão da corrente.

ENCHER O DEPÓSITO DO ÓLEO

1. Retire a bateria da motosserra.
2. Posicione a motosserra de lado numa superfície firme e plana, de modo a que a tampa do depósito do óleo fique virada para cima. Abra a tampa do depósito do óleo. Se estiver muito apertada, use a cabeça ranhurada da chave combinada (fornecida) para a desapertar (Imagem E).
3. Verta cuidadosamente o óleo para o depósito. Encha até ao fundo do pescoço de enchimento. Limpe qualquer excesso de óleo e feche a tampa.

AVISO:

- A motosserra não vem com óleo na altura da compra. É essencial abastecer com óleo antes da utilização. A corrente é lubrificada automaticamente com óleo da corrente durante o funcionamento.
- Foi criado especialmente para fornecer uma baixa fricção e cortes mais rápidos.
- Nunca use óleo ou outros lubrificantes que não tenham sido criados especificamente para serem usados na barra e na corrente. Isto pode dar origem a uma obstrução no sistema do óleo, que pode causar o desgaste prematuro da barra e da corrente.

AJUSTAR O FLUXO DO ÓLEO (Imagem F)

- Esta serra vem equipada com um **parafuso de ajuste do fluxo do óleo (F-1)** localizado no fundo da ferramenta, que é usado para ajustar o fluxo do óleo para lubrificar a corrente, barra e sistema de corte. Aumente ou diminua o fluxo do óleo na direção das setas, conforme assinalado na estrutura.

INDICADOR LED NA MOTOSSERRA

A motosserra vem equipada com 2 indicadores LED para indicar o estado do óleo e o nível de carga da bateria.

Indicador LED		Significado	Ação
Indicador de pouco óleo (A-8)	Pisca a vermelho	Falta de óleo	Encha o depósito do óleo.
	Desligado	Tem óleo	/
Indicador da bateria (A-7)	Verde brilhante	A bateria está carregada	/
	Pisca a verde	A bateria está quase gasta e tem de ser carregada imediatamente.	Carregue a bateria.

FIXAR O COLDRE DA BATERIA NO ARNÊS

Esta motosserra vem com um coldre da bateria, que é usado para transportar a bateria, e pode ser fixado no arnês (não fornecido).

AVISO: Aperte firmemente o coldre da bateria no arnês antes de usar o arnês.

AVISO: O arnês de escalada com função de libertação rápida tem de ser preparado para evitar a ocorrência de emergências.

1. Procure um ponto para pendurar este coldre da bateria no arnês e pendure-o usando o **gancho da correia (G-1)**. (Imagem G1)
2. Passe a correia pelo arnês para fixar o coldre da bateria no lugar (Imagem G2 e G3).
3. Fixe os dois **anéis (G-2)** da alça de segurança no arnês usando dois mosquetões (não fornecidos), conforme apresentado na Imagem G4.

G-1	Gancho da correia	G-2	Anéis
-----	-------------------	-----	-------

AVISO:

- Quando subir a árvore, fixe o anel 1 e 2 da alça de segurança no arnês, usando mosquetões (não fornecidos) (Imagem G5).

- Quando a ferramenta estiver a ser usada, liberte o anel 2 do arnês, segure a serra com ambas as mãos e efetue o corte (Imagem G6).

FIXAR A SERRA NO COLDRE DA BATERIA

Fixe o **gancho da serra (H-2)** da alça de segurança no **ilhó (H-1)**. (Imagem H).

PT

H-1	Ilhó	H-2	Gancho da serra
-----	------	-----	-----------------

INSTALAR/RETIRAR BATERIA

AVISO: Carregue por completo a bateria antes da primeira utilização.

Instalar (Imagem I1)

Alinhe as nervuras da bateria com as ranhuras de fixação, depois faça deslizar a bateria para o coldre até encaixar na respetiva posição.

Retirar (Imagem I2)

Prima o botão de libertação da bateria com o polegar para retirar a bateria.

Para ligar

1. Alinhe as marcas “▲” na ficha da alimentação (J-2) e na tomada elétrica (J-1) da motosserra, depois insira a ficha na motosserra até que o vedante VERDE na ficha desapareça POR COMPLETO na tomada (Imagem J1).
2. Prima o interruptor ON/OFF (Ligar/Desligar) para a posição “ON” (Imagem J2).
3. Puxe a pá do travão do ressalto na direção da pega principal para a posição
4. Mova o **trínco de fixação (J-3)** para a frente e pressione o **gatilho da velocidade variável (J-4)**. Quanto mais pressionar o gatilho da velocidade variável, maior será a velocidade de rotação da corrente da serra (Imagem J3).

J-1	Tomada elétrica	J-3	Trínco de fixação
J-2	Ficha elétrica	J-4	Gatilho da velocidade variável

Para parar

1. Liberte o gatilho da velocidade variável para parar a motosserra.

AVISO: A corrente da serra continua a rodar durante um bocado após libertar o gatilho da velocidade variável. Tenha cuidado para evitar o contacto após libertar o gatilho da velocidade variável e quando largar a motosserra.

2. Pressione a pá do travão do ressalto para a frente para a posição de travagem “

3. Coloque o interruptor ON/OFF (Ligar/Desligar) na posição “OFF”.

AVISO: Desligue sempre a ficha da alimentação da motosserra durante pausas de trabalho e após terminar o trabalho.

PREPARAÇÃO PARA O CORTE

Segurar corretamente as pegas (Imagem K)

- Use luvas antiderrapantes para um fixar e proteção máximos.
- Segure sempre a pega dianteira com a mão esquerda e a pega principal com a mão direita.
- Os dedos deverão envolver a pega, com o polegar por baixo da pega dianteira.

AVISO: Nunca use uma pega para canhotos (mãos cruzadas) nem nunca coloque o seu corpo ou braço através da linha da corrente.

AVISO: Não opere o interruptor do gatilho com a mão esquerda nem segure a pega dianteira com a mão direita. Nunca permita que alguma parte do seu corpo esteja em linha com a corrente enquanto utiliza a motosserra (Imagem L).

VERIFICAR A LUBRIFICAÇÃO DA CORRENTE (Imagem M)

AVISO: Certifique-se de que o depósito do óleo da motosserra está cheio com o volume adequado de óleo da corrente.

1. Segure a barra de orientação por cima de uma superfície com uma cor clara.
2. Ligue a serra. Se a lubrificação da corrente estiver a funcionar corretamente, verá uma linha de óleo na superfície colorida passada 1 minuto.
3. Se o óleo da corrente continuar sem ser visível na superfície colorida, consulte a secção “AJUSTAR O FLUXO DO ÓLEO” para ajustar.

UTILIZAR NA ÁRVORE

AVISO: quando trabalhar ou subir para uma árvore, recomendamos que use o suporte adicional, como estribos ou correia de segurança ajustável, para evitar oscilações ou acidentes de corte.

Antes da utilização, verifique os seguintes pontos:

- Verifique as marcas de desgaste na **roda dentada da corrente (N-1)**. Se as marcas de desgaste forem mais profundas do que 0,5 mm, contacte o seu centro de reparação EGO para que se proceda à substituição da roda dentada da corrente.
- Verifique também o sistema de travagem. Se as marcas de desgaste na **guarnição do travão (N-2)** estiverem desniveladas, contacte o seu centro de reparação EGO para que se proceda à substituição da

guarnição do travão. (Imagem N)

N-1	Roda dentada da corrente	N-2	Guarnição do travão
-----	--------------------------	-----	---------------------

- Verifique a barra de orientação. Consulte a respetiva secção: **MANUTENÇÃO DA BARRA DE ORIENTAÇÃO**
- Verifique a corrente da serra. Consulte a respetiva secção: **MANUTENÇÃO DA CORRENTE**
- Teste o travão da corrente. Consulte a respetiva secção: **DISPOSITIVOS DE SEGURANÇA CONTRA RESSALTOS NESTA**

MOTOSERRA

- Verifique os controlos. Consulte a respetiva secção: **LIGAR/DESLIGAR A MOTOSERRA**
- Verifique a lubrificação da corrente. Consulte a respetiva secção: **VERIFICAR A LUBRIFICAÇÃO DA CORRENTE**

MANUTENÇÃO

LIMPEZA

- Após cada utilização, limpe os resíduos da corrente e barra de orientação com uma escova suave. Limpe a superfície da motosserra com um pano limpo embebido numa solução neutra de sabão.
- Para uma limpeza profunda, retire o conjunto da cobertura lateral, retire a barra de orientação e a corrente da serra e use uma escova suave para eliminar os resíduos por completo da barra de orientação, corrente da serra e roda dentada motriz na cabeça do motor da motosserra.
- Limpe sempre as lascas, serradura e sujidade da ranhura da barra de orientação quando voltar a colocar a corrente da serra.

REMOVER O PÓ

1. Desligue a ficha da alimentação, deixe a motosserra arrefecer e aperte a tampa do depósito do óleo.
2. Ative o travão da serra.
3. Use a chave combinada (fornecida) para desapertar o parafuso da **cobertura de remoção do pó (O-1)** para a abrir (Imagem O1).
4. Limpe a serradura e lascas acumuladas nas saliências de arrefecimento usando ar seco comprimido, soprando a partir da **entrada do ar (O-2)** do lado oposto. (Imagem O2).

O-1	Cobertura de remoção do pó	O-2	Entrada do ar
-----	----------------------------	-----	---------------

MANUTENÇÃO DA BARRA DE ORIENTAÇÃO

Quando a barra de orientação apresentar sinais de desgaste, desmonte-a da cabeça da alimentação da motosserra e vire-a para a voltar a montar (Imagem P1). Nesse caso, irá redistribuir o desgaste, para um tempo máximo de vida da barra.

A barra deverá ser limpa (incluindo as **calhas da barra (P-1)** e o **orifício de lubrificação (P-2)** todos os dias, e verificada quanto a desgaste e danos (Imagem P2). Empenos ou rebarbas das calhas da barra são um processo normal do desgaste da barra. Tais falhas deverão ser reparadas com recurso a uma lima, mal aconteçam. Uma barra com qualquer uma das seguintes falhas deverá ser substituída.

Desgaste dentro das calhas da barra que permita à corrente ficar virada de lado.

- Barra de orientação dobrada.
- Calhas rachadas ou partidas.
- Calhas separadas.

A barra de orientação tem uma roda dentada na ponta. A roda dentada tem de ser lubrificada todas as semanas com uma seringa de lubrificação para aumentar o tempo de vida útil da barra de orientação (Imagem P3 e P4). Rode a **roda dentada do nariz (P-3)** enquanto bombeia **lubrificante translúcido amarelo, vermelho ou simplesmente translúcido no orifício de lubrificação (P-4)** até que toda a roda dentada tenha novo lubrificante. Não empurre sujidade para o orifício.

P-1	Calhas da barra	P-3	Roda dentada
P-2	Orifício de lubrificação	P-4	Orifício de lubrificação

MANUTENÇÃO DA CORRENTE

Utilize apenas correntes de ressalto baixo com esta serra. Esta corrente de corte rápido diminui os ressaltos quando devidamente mantida.

Uma corrente devidamente afiada corta madeira sem esforço, mesmo com muito pouca pressão. Nunca utilize uma corrente da serra danificada ou que não esteja afiada. Uma corrente da serra que não esteja afiada leva a um maior esforço físico, aumenta a vibração, produz resultados de corte insatisfatórios e um aumento do desgaste.

Para um corte rápido e suave, a corrente deve ser submetida a uma manutenção correta. A corrente tem de ser afiada quando as lascas de madeira forem cada vez mais pequenas e tiverem pó, quando a corrente tiver de ser forçada para dentro da madeira durante o corte ou se a corrente cortar para um dos lados. Durante a manutenção da serra, tenha em conta o seguinte:

- Um ângulo de limagem incorreto da placa lateral pode aumentar o risco de um ressalto grave.

- Folga do manómetro de profundidade. Demasiado baixo aumenta o potencial de ressalto. Se não for baixo o suficiente, diminui a capacidade de corte.
- Se os dentes de corte atingirem objetos sólidos, como por exemplo pregos e pedras, ou tiverem sofrido abrasão por lama ou areia na madeira, estes devem ser afiados por um técnico de reparação qualificado.

PT

AVISO: recomendamos que a **corrente da serra** seja afiada e mantida por um centro de reparação autorizado.

TRANSPORTE E ARMAZENAMENTO

- Não guarde nem transporte a motosserra a funcionar. Retire sempre a bateria antes de guardar ou transportar.
- Coloque sempre a cobertura da barra de orientação e corrente antes de guardar ou transportar a motosserra. Tenha cuidado para evitar os dentes afiados da corrente.
- Limpe bem a motosserra antes de a guardar. Guarde a motosserra no interior, num local seco fechado e/ou inacessível às crianças.
- Mantenha-a afastada de agentes corrosivos, como químicos de jardim e sais para eliminar o gelo.

Proteja o ambiente



REEE (Resíduos de Equipamento Elétrico e Eletrónico) Não elimine equipamento elétrico, bateria gasta nem carregador juntamente com o lixo doméstico comum! Leve este produto a um centro de reciclagem autorizado para que possa haver uma separação das peças. As ferramentas elétricas têm de ser devolvidas em instalações de reciclagem ambientalmente compatíveis.

RESOLUÇÃO DE PROBLEMAS

PROBLEMA	CAUSA	SOLUÇÃO
O motor não liga.	<ul style="list-style-type: none"> ■ A ficha da alimentação do coldre da bateria não foi colocada na motosserra. ■ Não existe contacto elétrico entre o coldre da bateria e a bateria. ■ O trinco de fixação não está dobrado para cima. ■ O interruptor “ON-OFF” (ligar/desligar) está em “OFF”. ■ O travão da corrente está ativado. 	<ul style="list-style-type: none"> ■ Insira a ficha da alimentação do coldre da bateria na motosserra. ■ Retire a bateria, verifique os contactos e volte a instalar a bateria. ■ Dobre o trinco de fixação antes de começar. ■ Coloque o interruptor “ON/OFF” (Ligar/Desligar) na posição “ON”. ■ Puxe a pá do travão do ressalto para trás na direção da pega superior, chegando à posição de funcionamento.
A motosserra pára de funcionar durante o trabalho.	<ul style="list-style-type: none"> ■ A bateria ou motosserra está muito quente. ■ A motosserra está sobrecarregada. ■ Demasiados pedaços de madeira no canal de ventilação. ■ A bateria está gasta. 	<ul style="list-style-type: none"> ■ Arrefeça a bateria ou motosserra. ■ Diminua a carga. ■ Limpe o pó. Consulte a secção “REMOVER O PÓ”. ■ Carregue a bateria.
O travão da corrente não funciona.	<ul style="list-style-type: none"> ■ Os resíduos impedem o movimento completo da pega do travão do ressalto da corrente. ■ Possível mau funcionamento do travão da corrente. 	<ul style="list-style-type: none"> ■ Limpe os resíduos do mecanismo externo do travão da corrente. ■ Contacte o serviço de apoio ao cliente da EGO para proceder à reparação.
Não há lubrificação com óleo durante o corte.	<ul style="list-style-type: none"> ■ O depósito do óleo da corrente está vazio. ■ A saída do óleo da barra da corrente está bloqueada. ■ Solidificação do óleo a baixas temperaturas. 	<ul style="list-style-type: none"> ■ Adicione lubrificante à barra e à serra. ■ Limpe o pó na saída do óleo. ■ Use o óleo lubrificante adequado (adequado para baixas temperaturas).
O indicador do nível do óleo pisca a vermelho ou mostra uma luz anormal enquanto o depósito do óleo está cheio de óleo.	<ul style="list-style-type: none"> ■ Ângulo especial de utilização da máquina, fazendo com que o óleo no depósito do óleo não entre no tubo do óleo. ■ A categoria e cor do óleo não são as recomendadas. ■ O indicador de pouco óleo continua a piscar a vermelho. 	<ul style="list-style-type: none"> ■ Deite a motosserra e tente de novo. ■ Use o óleo translúcido, translúcido amarelo ou translúcido vermelho recomendado. ■ Contacte o serviço de apoio ao cliente da EGO para proceder à reparação.
O indicador do nível do óleo não funciona enquanto o depósito do óleo tiver pouco óleo.	<ul style="list-style-type: none"> ■ A categoria e cor do óleo não puderam ser identificadas. ■ Ainda há uma pequena quantidade de óleo no depósito do óleo ou tubo do óleo. ■ O indicador de pouco óleo continua a não funcionar devido às razões apresentadas acima. 	<ul style="list-style-type: none"> ■ Use o óleo translúcido, translúcido amarelo ou translúcido vermelho recomendado. ■ Use a motosserra durante algum tempo e volte a inspecionar o indicador de pouco óleo. ■ Contacte o serviço de apoio ao cliente da EGO para proceder à reparação.

PT

GARANTIA

POLÍTICA DE GARANTIA EGO

Visite o website egopowerplus.eu para os termos e condições completos da política de garantia da EGO.

LEGGERE TUTTE LE ISTRUZIONI!



LEGGERE IL MANUALE DI ISTRUZIONI

SIMBOLI DI SICUREZZA

Lo scopo dei simboli di sicurezza è attirare l'attenzione dell'operatore su possibili pericoli. I simboli di sicurezza e le relative spiegazioni richiedono la massima attenzione e comprensione da parte dell'operatore. Le avvertenze espresse dai simboli, da sole, non eliminano tutti i rischi. Le istruzioni e le avvertenze non sostituiscono le adeguate misure di prevenzione contro gli incidenti.

⚠ AVVERTENZA! Accertarsi di aver letto e compreso tutte le istruzioni di sicurezza in questo manuale, inclusi tutti i simboli di avvertenza come **"PERICOLO"**, **"AVVERTENZA"** e **"ATTENZIONE"**, prima di usare questo apparecchio. Il mancato rispetto di tutte le istruzioni elencate di seguito comporta il rischio di scossa elettrica, incendio e/o lesioni gravi.

SIGNIFICATO DEI SIMBOLI

Questa pagina illustra e descrive i simboli di sicurezza che possono comparire sul prodotto. Leggere, comprendere e seguire tutte le istruzioni sull'apparecchio prima di tentare di assemblarlo e ripararlo.

SIMBOLI DI SICUREZZA



Avvertenza di sicurezza



Indossare guanti da lavoro robusti in materiale resistente.



Indossare calzature di sicurezza antiscivolo.



Rischio di contraccolpo - Evitare il contatto della punta della barra guida con qualsiasi oggetto



Contatto della punta della barra - Il contatto della punta causa l'improvviso movimento della barra guida in alto e all'indietro, con il rischio di lesioni gravi.



Questo prodotto è conforme alla legislazione britannica pertinente.



Livello di potenza sonora garantito



Questo prodotto è conforme alle direttive europee applicabili.

IPX5 Protezione contro i getti d'acqua



Per ridurre il rischio di infortunio, l'utente deve leggere e comprendere tutte le istruzioni prima di usare questo prodotto.



Indossare indumenti protettivi aderenti. Non indossare sciarpe, cravatte o gioielli.



Indossare occhiali di sicurezza aderenti, tappi o cuffie antirumore e un casco con sottogola.



Presa a due mani - Tenere la motosega con entrambe le mani durante l'uso.



Informazioni sulla barra guida.



I prodotti elettrici non devono essere smaltiti insieme ai rifiuti domestici. Portarli presso un centro di riciclaggio autorizzato.

V Volt



Corrente continua

SPECIFICHE TECNICHE

Tensione	56 V	
Temperatura di funzionamento raccomandata	Da -15°C a 40°C	
Temperatura di conservazione raccomandata	Da -40°C a 70°C	
Temperatura di ricarica ottimale	Da 5°C a 40°C	
Lunghezza di taglio	300 mm	
Velocità catena	20 m/s	
Partitura catena	3/8" (9,5 mm)	
Larghezza scanalatura	1.1 mm	
Tipo di catena	AC1200 (Raccomandato) AC1400/AC1401 (Compatibile) AC1600/AC1601 (Compatibile)	
Modello di barra guida	AG1200 (Raccomandato) AG1400/AG1401 (Compatibile) AG1600/AG1601 (Compatibile)	
Partitura della catena	3/8" (9,5 mm)	
Larghezza della scanalatura	1,1 mm	
Numero di denti del pignone	6	
Capacità del serbatoio dell'olio	250 ml	
Peso (senza gruppo batteria e copertura della catena)	3,5 kg	
Livello di potenza sonora misurato L_{WA}	98,8 dB(A) K=3 dB(A)	
Livello di pressione sonora a livello dell'operatore L_{PA}	88,1 dB(A) K=3 dB(A)	
Livello di potenza sonora garantito L_{WA} (misurato conformemente a 2000/14/EC)	102 dB(A)	
Vibrazioni a_h	Impugnatura anteriore	1,73 m/s ² K= 1,5 m/s
	Impugnatura principale	2,21 m/s ² K= 1,5 m/s

- Il valore totale di emissione delle vibrazioni dichiarato è stato misurato con un metodo di valutazione standard e può essere utilizzato per confrontare l'apparecchio con altri prodotti analoghi.

- Il valore totale di emissione delle vibrazioni dichiarato può essere utilizzato anche per una valutazione preliminare dei livelli di esposizione.

NOTA: il valore di emissione delle vibrazioni durante l'uso effettivo dell'utensile elettrico può variare rispetto al valore totale dichiarato in base alla modalità di utilizzo dell'utensile. Per proteggersi, l'operatore deve indossare guanti e dispositivi di protezione per le orecchie in base alle condizioni di utilizzo effettive.

IT

DESCRIZIONE

DESCRIZIONE DELLA MOTOSEGA (Fig. A1)

- Catena
- Freno catena
- Linguetta di bloccaggio
- Impugnatura principale
- Interruttore a velocità variabile
- Anello di aggancio
- Indicatore della batteria
- Indicatore dell'olio
- Impugnatura anteriore
- Tappo del serbatoio dell'olio
- Barra guida
- Foro di lubrificazione
- Pignone
- Vite di tensione della catena
- Interruttore di accensione/spegnimento
- Bullone guida
- Dado della barra
- Gruppo copertura laterale
- Copertura della vite di regolazione del flusso di olio
- Copertura di rimozione della polvere
- Meccanismo di espulsione
- Contatti elettrici
- Pulsante di rilascio della batteria
- Gancio per cintura
- Fibbia
- Cinghia
- Cavo di alimentazione rivestito
- Anello 1
- Gancio di fissaggio alla motosega
- Spina di alimentazione
- Anello 2
- Copertura della catena
- Chiave combinata

CONTENUTO DELL'IMBALLAGGIO (FIG. A1)

ASSEMBLAGGIO


ASSEMBLAGGIO/SOSTITUZIONE DELLA BARRA E CATENA

IT **AVVERTENZA!** Scollegare la spina di alimentazione e indossare guanti protettivi prima di assemblare il prodotto o sottoporlo a manutenzione.

AVVERTENZA! Consultare tutte le avvertenze di sicurezza, le istruzioni, le illustrazioni e le specifiche fornite insieme a questo utensile elettrico. Il mancato rispetto delle istruzioni sotto riportate comporta il rischio di scossa elettrica, incendio e/o gravi infortuni.

AVVERTENZA! Assicurarsi di acquistare la barra e la catena specificate in questo manuale. Il mancato rispetto di questa avvertenza comporta il rischio di lesioni gravi.

Conservare tutte le avvertenze e le istruzioni per futuro riferimento.

1. Assicurarsi che il freno catena sia impostato in posizione .
2. Svitare il **dado della barra (A-17)** in senso antiorario per rimuovere il **gruppo copertura laterale (A-18)**.
3. Disporre la nuova catena ad anello su una superficie piana, raddrizzando eventuali pieghe (Fig. B1).
4. Posizionare le **maglie di trascinamento (B-1)** nella **scanalatura (B-2)** della barra guida e posizionare la catena in modo tale che formi un anello alla fine della barra guida (Fig. B2).
5. Tenere la catena in posizione sulla barra guida e posizionare l'anello intorno al **pignone (B-3)** dell'unità motore e verificare che (Fig. B3):
 - a) Le maglie di trascinamento siano infilte nei denti del **pignone (B-3)**.
 - b) La **vite di tensione della catena (B-4)** e il **bullone guida (B-5)** siano infilati nella fessura della barra guida. Il **perno di tensione della catena (B-6)** sia infilato nel foro della barra guida.

NOTA: assicurarsi che le frecce sui denti della catena siano rivolte in avanti (Fig. B3).

6. Consultare la sezione "REGOLAZIONE DELLA TENSIONE DELLA CATENA" per assicurarsi che la catena sia assemblata correttamente.
7. Allineare i perni guida (B-7) del gruppo copertura laterale con i rispettivi fori (B-8) sulla motosega, quindi fissare il gruppo copertura laterale (Fig. B4).

8. Serrare il dado della lama.

B-1	Maglie di trascinamento	B-5	Bullone guida
B-2	Scanalatura	B-6	Perno di tensione della catena
B-3	Pignone	B-7	Perni guida
B-4	Vite di tensione della catena	B-8	Fori

NOTA: se è necessario sostituire la barra guida, rimuovere il gruppo copertura laterale e riassemblearlo sulla nuova barra guida, come illustrato in Fig. C.

UTILIZZO

Prima di ogni utilizzo, ispezionare l'intero apparecchio per verificare che nessun elemento sia mancante e non siano presenti componenti danneggiati o allentati, ad esempio viti, dadi, bulloni, ecc. Serrare saldamente tutti i dispositivi di fissaggio e le coperture e non usare l'apparecchio finché tutti componenti mancanti o danneggiati non vengono sostituiti.

AVVERTENZA! Le normative locali possono limitare l'uso dell'apparecchio.

AVVERTENZA! Non usare l'apparecchio sotto l'influenza di alcol o droghe.

NOTA: in caso di perdita di controllo dell'apparecchio, ad esempio a seguito di un contraccolpo, spegnerlo immediatamente.

DESTINAZIONE D'USO

Il prodotto può essere usato sotto la pioggia.

- Questa motosega è progettata appositamente per la potatura e la manutenzione di alberi.



Questa motosega deve essere utilizzata esclusivamente da arboristi professionisti.

NOTA: si raccomanda agli utenti inesperti di fare pratica tagliando ceppi su un cavalletto o un supporto similare.

REGOLAZIONE DELLA TENSIONE DELLA CATENA

AVVERTENZA! Non toccare o regolare la catena quando il motore è in funzione. La catena è molto affilata; indossare sempre guanti protettivi durante le operazioni di manutenzione sulla catena.

La catena si espande o si contrae durante l'uso della motosega. Di conseguenza, la tensione della catena si modifica. Controllare periodicamente la tensione della

catena durante l'uso e regolarla se necessario.

- Arrestare la motosega, attivare il freno catena e scollegare la spina di alimentazione.
- Allentare il dado della barra affinché la barra guida possa muoversi liberamente.
- Solleverare la punta della barra e regolare la vite di tensione della catena finché:
 - La distanza tra la catena e il punto centrale della barra è pari a circa 1-2 mm (Fig. D).
 - Disattivare il freno catena e assicurarsi che la catena possa essere trascinata lungo la barra con due dita.

NOTA: effettuare questa operazione con attenzione per evitare il rischio di lesioni personali. Il motore elettrico di questa motosega, a differenza delle motoseghe a benzina convenzionali, contiene materiale magnetico; trascinando la catena con due dita si percepirà una certa resistenza. La catena non scorrerà liberamente come nel caso delle motoseghe a benzina.

- Solleverare la punta della barra e serrare il dado della barra.

NOTA: se la distanza tra la catena e il punto centrale della barra non è di 1-2 mm, regolare nuovamente la tensione della catena..

RIEPIIMENTO DEL SERBATOIO DELL'OLIO

- Scollegare il gruppo batteria dalla motosega.
- Posizionare la motosega su un lato, su una superficie piana e stabile, affinché il tappo del serbatoio dell'olio sia rivolto verso l'alto. Rimuovere il tappo del serbatoio dell'olio. Se è bloccato, usare l'estremità a taglio della chiave combinata (inclusa) per allentarlo (Fig. E).
- Versare l'olio nel serbatoio dell'olio con attenzione. Riempirlo fino alla parte inferiore del collo di riempimento. Rimuovere eventuali eccedenze d'olio e chiudere il tappo.

NOTA:

- La motosega è priva d'olio al momento dell'acquisto. È essenziale riempire il serbatoio con l'olio prima dell'uso. La catena viene automaticamente lubrificata con olio durante il funzionamento.
- È formulato appositamente per ridurre la frizione e aumentare la velocità di taglio.
- Non usare oli o altri lubrificanti non progettati appositamente per barra e catena per evitare l'ostruzione del sistema dell'olio e il rischio di usura prematura della barra e catena.

REGOLAZIONE DEL FLUSSO DELL'OLIO (Fig. F)

- Questa motosega è dotata di una **vite di regolazione**

del flusso dell'olio (F-1), situata sulla parte inferiore dell'apparecchio, che permette di regolare il flusso dell'olio che lubrifica la catena, la barra e il sistema di taglio. Per aumentare o ridurre il flusso dell'olio, ruotare la vite nella direzione indicata dalla freccia sull'apparecchio.

INDICATORI LUMINOSI SULLA MOTOSEGA

Questa motosega è dotata di 2 indicatori luminosi che segnalano il livello dell'olio e il livello di carica del gruppo o dei gruppi batteria.

Indicatore luminoso	Significato	Azione	
Indicatore dell'olio (A-8)	Rosso lampeggiante	Il livello dell'olio è insufficiente.	Riempire del serbatoio dell'olio.
	Spento	Il livello dell'olio è sufficiente.	/
Indicatore della batteria (A-7)	Verde fisso	Il gruppo batteria è carico.	/
	Verde lampeggiante	Il gruppo batteria è quasi scarico, e deve essere ricaricato immediatamente.	Ricaricare la batteria.

IT

FISSAGGIO DEL PORTA-BATTERIA ALL'IMBRACATURA

Questa motosega include un porta-batteria che può essere fissato a un'imbracatura (non fornita).

NOTA: fissare saldamente il porta-batteria all'imbracatura prima di indossare l'imbracatura.

AVVERTENZA! È necessario preparare l'imbracatura a rilascio rapido per evitare situazioni di pericolo.

- Individuare il punto di fissaggio del porta-batteria all'imbracatura, quindi agganciarlo all'imbracatura usando l'apposito **gancio per cintura (G-1)** (Fig. G1).
- Avvolgere la cinghia intorno all'imbracatura per fissare il porta-batteria in posizione (Fig. G2 e G3).
- Fissare i due **anelli (G-2)** sul cavo di alimentazione rivestito all'imbracatura usando due moschettoni (non forniti), come illustrato in Fig. G4.

G-1	Gancio per cintura	G-2	Anelli
-----	--------------------	-----	--------

NOTA:

- prima di salire sull'albero, fissare l'anello 1 e l'anello 2 sul cavo di alimentazione rivestito all'imbracatura usando dei moschettoni (non forniti) (Fig. G5).
- Prima di usare la motosega, staccare l'anello 2 dall'imbracatura e impugnare la motosega con

entrambe le mani (Fig. G6).

FISSAGGIO DELLA MOTOSEGA AL PORTA-BATTERIA

Fissare il **gancio di fissaggio alla motosega (H-2)** all'**anello di aggancio (H-1)** (Fig. H)

H-1	Anello di aggancio	H-2	Gancio di fissaggio alla motosega
-----	--------------------	-----	-----------------------------------

INSTALLAZIONE/RIMOZIONE DEL GRUPPO BATTERIA

NOTA: ricaricare completamente il gruppo batteria prima del primo utilizzo.

Installazione (Fig. I1)


Allineare i rilievi sul gruppo batteria con le scanalature di assemblaggio, quindi fare scorrere il gruppo batteria nel porta-batteria finché non si incastra in posizione.

Rimozione (Fig. I2)

Premere il pulsante di rilascio della batteria con il pollice per rimuovere il gruppo batteria.

AVVIO/ARRESTO DELLA MOTOSEGA

Avvio


1. Allineare i simboli ▲ sulla **spina di alimentazione (J-2)** e sulla **presa di alimentazione (J-1)**, quindi inserire la spina nella motosega finché il sigillo VERDE sulla spina non si inserisce **COMPLETAMENTE** all'interno della presa (Fig. J1).
2. Portare l'interruttore di accensione/spengimento in posizione **"ON"** (Fig. J2).
3. Spingere l'impugnatura del freno catena verso l'impugnatura anteriore in posizione .
4. Portare la **linguetta di bloccaggio (J-3)** in avanti, quindi premere l'**interruttore a velocità variabile (J-4)**. Maggiore è la pressione sull'interruttore a velocità variabile, maggiore è la velocità di rotazione della catena (Fig. J3).

J-1	Presa di alimentazione	J-3	Linguetta di bloccaggio
J-2	Spina di alimentazione	J-4	Interruttore a velocità variabile

Arresto

1. Rilasciare l'interruttore a velocità variabile per arrestare la motosega.

NOTA: la catena continua a ruotare per un breve periodo dopo il rilascio dell'interruttore a velocità variabile. Prestare attenzione a evitare il contatto con la catena dopo il rilascio dell'interruttore a velocità variabile e prima di appoggiare la motosega.

2. Spingere l'impugnatura del freno catena in avanti in posizione .
3. Portare l'interruttore di accensione/spengimento in posizione **"OFF"**.

AVVERTENZA! Scollegare sempre la spina di alimentazione dalla motosega durante le pause e al termine del lavoro.

PREPARAZIONE AL TAGLIO

Presca corretta sulle impugnature (Fig. K)

- Indossare guanti antiscivolo per la massima aderenza e protezione.
- Tenere sempre la mano sinistra sull'impugnatura anteriore e la mano destra sull'impugnatura principale.
- Le dita devono avvolgere l'impugnatura, con il pollice al di sotto dell'impugnatura anteriore.

AVVERTENZA! Non usare mai una presa mancina (a mani invertite) e non assumere mai posizioni in cui il corpo o il braccio si trovano oltre la linea della catena.

AVVERTENZA! Non premere l'interruttore a velocità variabile con la mano sinistra e non tenere l'impugnatura anteriore con la mano destra. Non tenere alcuna parte del corpo lungo la linea della catena durante l'uso della motosega. (Fig. L)

CONTROLLO DELLA LUBRIFICAZIONE DELLA CATENA (Fig. M)

NOTA: assicurarsi che il serbatoio dell'olio sia stato riempito con una quantità adeguata di olio catena.

1. Tenere la barra guida sopra una superficie di colore chiaro.
2. Avviare l'apparecchio. Se sulla superficie di colore chiaro appare una linea di olio dopo circa 1 minuto, il sistema di lubrificazione funziona correttamente.
3. Se l'olio non è visibile sulla superficie di colore chiaro, consultare la sezione **"REGOLAZIONE DEL FLUSSO DELL'OLIO"**.

UTILIZZO SU UN ALBERO

AVVERTENZA! Durante l'uso della motosega su un albero, si raccomanda di usare sostegni aggiuntivi come staffe per piedi o corde regolabili per evitare il rischio di incidenti.

Prima di usare la motosega, ispezionare:

- Il **pignone della catena (N-1)**: se presenta segni di usura più profondi di 0,5 mm, contattare un rivenditore EGO affinché lo sostituisca.

- Il sistema di franta: se i segni di usura sulla **guarnizione del freno (N-2)** sono irregolari, contattare un rivenditore EGO affinché la sostituisca (Fig. N).

N-1	Pignone della catena	N-2	Guarnizione del freno
-----	----------------------	-----	-----------------------

- Consultare la sezione relativa alla barra guida: **MANUTENZIONE DELLA BARRA GUIDA**
- Consultare la sezione relativa alla catena: **MANUTENZIONE DELLA CATENA**
- Consultare la sezione relativa al collaudo del freno catena: **DISPOSITIVI DI SICUREZZA CONTRO IL CONTRACCOLPO INTEGRATI NELLA**

MOTOSEGA

- Effettuare i controlli descritti alla sezione: **AVVIO/ARRESTO DELLA MOTOSEGA**
- Consultare la sezione relativa alla lubrificazione della catena: **CONTROLLO DELLA LUBRIFICAZIONE DELLA CATENA**

MANUTENZIONE

PULIZIA

- Dopo ogni utilizzo, rimuovere i detriti da barra e catena con una spazzola morbida. Pulire la superficie della motosega con un panno pulito inumidito con acqua saponata.
- Per una pulizia profonda, rimuovere il gruppo copertura laterale, rimuovere la barra guida e la catena, quindi rimuovere i detriti da barra guida, catena e pignone sull'unità motore della motosega con una spazzola morbida.
- Rimuovere sempre eventuali frammenti di legno, segatura e sporcizia dalla scanalatura della barra guida durante la sostituzione della catena.

RIMOZIONE DELLA POLVERE

- Scollegare la spina di alimentazione, attendere che la motosega si raffreddi e serrare il tappo del serbatoio dell'olio.
- Attivare il freno catena.
- Usare la chiave combinata (fornita) per allentare le vite della **copertura di rimozione della polvere (0-1)** per aprirla (Fig. 01).
- Rimuovere gli accumuli di segatura e trucioli sulle alette di raffreddamento con dell'aria compressa, soffiandola dal lato opposto dell'**apertura di ingresso dell'aria (0-2)** (Fig. 02).

0-1	Copertura di rimozione della polvere	0-2	Apertura di ingresso dell'aria
-----	--------------------------------------	-----	--------------------------------

MANUTENZIONE DELLA BARRA GUIDA

Quando la barra guida mostra segni di usura, rimuoverla dall'unità motore della motosega e riassembrarla invertita (Fig. P1), per distribuire uniformemente l'usura e prolungare la durata di vita della barra.

La barra deve essere pulita (**binari della barra guida (P-1) e foro di lubrificazione (P-2)** inclusi) ogni giorno di utilizzo e ispezionata per verificare che non sia usurata o danneggiata (Fig. P2). La bavatura o smussatura dei binari della barra è un normale processo dell'usura della barra. Tali difetti devono essere immediatamente corretti con una lima. Un barra con i difetti riportati di seguito deve essere sostituita.

Usura all'interno dei binari della barra che mantengono la catena in posizione.

- Barra guida piegata.
- Binari incrinati o rotti.
- Allargamento dei binari.

La barra guida è dotata di un pignone sulla punta. Il pignone deve essere lubrificato settimanalmente con un'apposita siringa per prolungare la durata di vita della barra guida (Fig. P3 e P4). Ruotare il **pignone sulla punta (P-3)** e simultaneamente iniettare del **grasso traslucido giallo, traslucido rosso o trasparente nel foro di lubrificazione (P-4)** finché l'intero pignone non è lubrificato. Evitare l'ingresso di sporcizia nel foro.

P-1	Binari della barra guida	P-3	Pignone
P-2	Foro di lubrificazione	P-4	Foro di lubrificazione

MANUTENZIONE DELLA CATENA

Usare esclusivamente catene a riduzione del contraccolpo. Le catene a taglio rapido riducono il rischio di contraccolpo se vengono mantenute in buono stato.

Una catena affilata correttamente taglia il legno senza sforzo, anche esercitando poca pressione. Non usare mai una catena smussata o danneggiata. Una catena smussata comporta l'aumento dello sforzo fisico e del carico di vibrazioni, risultati di taglio non soddisfacenti e una maggiore usura.

Per un taglio rapido e omogeneo, la catena deve essere mantenuta in buono stato. La catena necessita di affilatura quando i frammenti di legno diventano piccoli e polverosi, se è necessario forzare la catena nel legno durante il taglio o la catena taglia da un lato. Per la manutenzione della catena, tenere in considerazione i punti descritti di seguito.

- Se l'angolo di taglio laterale viene affilato scorrettamente, il rischio di contraccolpo può aumentare.

- Una profondità di taglio troppo bassa aumenta il rischio di contraccolpo, ma non abbastanza bassa riduce l'efficienza di taglio.
- Se i taglienti hanno urtato oggetti duri, come chiodi e pietre, o sono stati abrasi da fango o sabbia nel legno, affidare l'affilatura della catena a un tecnico qualificato.

NOTA: si raccomanda di affidare l'affilatura e la manutenzione della **catena** a centri di assistenza autorizzati.

IT

TRASPORTO E CONSERVAZIONE

- Non conservare o trasportare la motosega quando è in funzione. Rimuovere sempre il gruppo batteria prima di riporla o trasportarla.
- Installare sempre la copertura su barra e catena prima di riporre o trasportare la motosega. Prestare attenzione per evitare il contatto con i denti affilati della catena.
- Pulire accuratamente la motosega prima di riporla. Conservare la motosega in interni, in un luogo asciutto, al chiuso e/o inaccessibile ai bambini.
- Tenerla al riparo da agenti corrosivi, ad esempio sostanze chimiche per il giardinaggio e sale per disgelo.

Protezione dell'ambiente



Direttiva RAEE (Rifiuti di apparecchi elettrici ed elettronici) Non smaltire apparecchi elettrici, caricabatteria e batterie insieme ai rifiuti domestici. Portare il prodotto presso un centro di riciclaggio autorizzato affinché venga raccolto separatamente. Gli apparecchi elettrici devono essere portati presso un centro di riciclaggio ecocompatibile.

RISOLUZIONE DEI PROBLEMI

PROBLEMA	CAUSA	SOLUZIONE
Il motore non si avvia.	<ul style="list-style-type: none"> ■ La spina di alimentazione del porta-batteria non è collegata alla motosega. ■ Nessun contatto elettrico tra il porta-batteria e la batteria. ■ La linguetta di bloccaggio non è piegata. ■ L'interruttore di accensione/ spegnimento è in posizione "OFF". ■ Il freno catena è attivo. 	<ul style="list-style-type: none"> ■ Collegare la spina di alimentazione del porta-batteria alla motosega. ■ Rimuovere la batteria, ispezionare i contatti e reinstallare il gruppo batteria. ■ Piegare la linguetta di bloccaggio prima di avviare la motosega. ■ Portare l'interruttore di accensione/ spegnimento in posizione "ON". ■ Spingere l'impugnatura del freno catena verso l'impugnatura anteriore, in posizione operativa.
La motosega si arresta durante il funzionamento.	<ul style="list-style-type: none"> ■ Il gruppo batteria o la motosega sono troppo caldi. ■ La motosega è sovraccarica. ■ Un accumulo di frammenti di legno ostruisce il canale di ventilazione. ■ Il gruppo batteria è scarico. 	<ul style="list-style-type: none"> ■ Attendere che il gruppo batteria o la motosega si raffreddino. ■ Diminuire il carico. ■ Rimuovere la polvere come descritto alla sezione "RIMOZIONE DELLA POLVERE". ■ Ricaricare il gruppo batteria.
Il freno catena non si attiva.	<ul style="list-style-type: none"> ■ I detritti impediscono il movimento completo dell'impugnatura del freno catena. ■ Malfunzionamento del freno catena. 	<ul style="list-style-type: none"> ■ Rimuovere i detritti dal meccanismo esterno del freno catena. ■ Contattare il centro di assistenza EGO per la riparazione.
Lubrificazione assente durante il taglio.	<ul style="list-style-type: none"> ■ Il serbatoio dell'olio è vuoto. ■ L'apertura di uscita dell'olio sulla barra catena è ostruito. ■ L'olio si è solidificato a causa delle basse temperature. 	<ul style="list-style-type: none"> ■ Aggiungere il lubrificante per barra e catena. ■ Rimuovere la polvere dal foro di uscita dell'olio. ■ Usare dell'olio lubrificante corretto (adatto alle basse temperature).
L'indicatore dell'olio lampeggia di rosso anche se il serbatoio dell'olio è pieno.	<ul style="list-style-type: none"> ■ La motosega è inclinata in modo anomalo durante l'uso, e ciò impedisce all'olio nel serbatoio di entrare nel sistema di lubrificazione. ■ La categoria e il colore dell'olio non sono raccomandati. ■ L'indicatore dell'olio continua a lampeggiare di rosso. 	<ul style="list-style-type: none"> ■ Portare la motosega in posizione orizzontale e riprovare. ■ Usare dell'olio lubrificante traslucido giallo, traslucido rosso o trasparente. ■ Contattare il centro di assistenza EGO per la riparazione.
L'indicatore dell'olio non si illumina quando il livello dell'olio è insufficiente.	<ul style="list-style-type: none"> ■ La categoria e il colore dell'olio non sono stati identificati. ■ Nel serbatoio dell'olio o nel sistema di lubrificazione è presente una piccola quantità di olio. ■ L'indicatore dell'olio non funziona per i motivi summenzionati. 	<ul style="list-style-type: none"> ■ Usare dell'olio lubrificante traslucido giallo, traslucido rosso o trasparente. ■ Avviare la motosega per un certo periodo, quindi osservare l'indicatore dell'olio. ■ Contattare il centro di assistenza EGO per la riparazione.

IT

GARANZIA

CONDIZIONI DELLA GARANZIA EGO

Visitare il sito web egopowerplus.eu per consultare le condizioni complete della garanzia EGO.

LEES ALLE INSTRUCTIES!



LEES DE GEBRUIKSAANWIJZING

VEILIGHEIDSSYMBOOL

Het doel van de veiligheidssymbolen is om u te wijzen op mogelijke gevaren. Besteed daarom voldoende aandacht hieraan en begrijp de veiligheidssymbolen en bijbehorende uitleg. De symboolwaarschuwingen op zich elimineren geen enkel gevaar. De verstrekte instructies en waarschuwingen gelden niet als vervanging voor gepaste voorzorgsmaatregelen tegen ongevallen.

NL

⚠ WAARSCHUWING: Lees en begrijp alle veiligheidsinstructies die in deze gebruiksaanwijzing staan vermeld, waaronder alle veiligheidssymbolen zoals “GEVAAR,” “WAARSCHUWING,” en “OPGELET” voordat u dit gereedschap in gebruik neemt. Het negeren van onderstaande instructies kan leiden tot een elektrische schok, brand en/of ernstig persoonlijk letsel.

BETEKENIS VAN DE SYMBOLEN

Deze pagina toont en beschrijft alle veiligheidssymbolen die zich op dit product kunnen bevinden. Lees, begrijp en volg alle instructies op de machine voordat u deze in elkaar zet en gebruikt.

VEILIGHEIDSSYMBOLEN



Veiligheidswaarschuwing



Draag heavy-duty werkhandschoenen gemaakt van duurzaam materiaal



Draag antislip veiligheidsschoenen



Pas op voor een terugslag - Voorkom ieder contact van de punt van het zaagblad met ieder willekeurig voorwerp



Terugslag bij de punt van het zaagblad - Het contact van de punt van het zaagblad kan ervoor zorgen dat het zaagblad snel naar boven of naar achteren beweegt, wat op zijn beurt ernstig letsel kan veroorzaken.



Dit product is in overeenstemming met de geldende wetgeving van het VK.



Gewaarborgd geluidsvermogensniveau.



Dit product is in overeenstemming met de EG-richtlijnen.

IPX5

Bescherming tegen waterstralen



De gebruiker dient de gebruiksaanwijzing voor het gebruik van dit product te lezen en te begrijpen om risico op letsel te beperken.



Draag nauwsluitende kleding. Draag geen sjaal, stropdas of sieraden



Draag een goed zittende veiligheidsbril, oordopjes of oorwarmers en een veiligheidshelm met riembandje



Greep met twee handen - Gebruik altijd twee handen bij het bedienen van de kettingzaag.



Informatie over het zaagblad.



Gooi elektrisch afval niet via het huishoudelijk afval weg. Breng het naar een geautoriseerd recyclingbedrijf.

V

Volt



Gelijkstroom

SPECIFICATIES

Spanning	56 V	
Aanbevolen bedrijfstemperatuur:	-15°C-40°C	
Aanbevolen opslagtemperatuur:	-40°C-70°C	
Optimale laadtemperatuur	5°C-40°C	
Snijlengte	300 mm	
Kettingsnelheid	20 m/s	
Kettingsteek	3/8" (9,5 mm)	
Kettingpeil	1,1 mm	
Zaag kettingtype	AC1200 (aanbevolen) AC1400/AC1401 (compatibel) AC1600/AC1601 (compatibel)	
Zaagblad type	AG1200 (aanbevolen) AG1400/AG1401 (compatibel) AG1600/AG1601 (compatibel)	
Kettingsteek	3/8" (9,5 mm)	
Kettingmaat	1,1 mm	
Aantal aandrijftandwielen	6	
Capaciteit olietank	250ml	
Gewicht (zonder accupack, kettingbeschermer)	3,5 kg	
Gemeten geluidsvermogensniveau L_{WA}	98,8 dB(A) K=3 dB(A)	
Geluidsdrukniveau bij de werkpositie L_{PA}	88,1 dB(A) K=3 dB(A)	
Gegarandeerd geluidsvermogensniveau L_{WA} (conform 2000/14/EC)	102 dB(A)	
Vibratie a_h	Voorste handgreep	1,73 m/s ² K= 1,5 m/s
	Primaire handgreep	2,21 m/s ² K= 1,5 m/s

- De opgegeven totale vibratiewaarde is gemeten volgens de standaard testmethode en kan worden gebruikt om het apparaat met een ander apparaat te vergelijken;

- De opgegeven totale vibratiewaarde kan tevens worden gebruikt in een voorafgaande beoordeling op blootstelling.

OPMERKING: De trillingsemissie tijdens het werkelijk gebruik van het elektrisch gereedschap kan verschillen van de opgegeven totale waarde; Om de bediener te beschermen dient de gebruiker tijdens het gebruik handschoenen en gehoorbescherming te dragen.

BESCHRIJVING

KEN UW KETTINGZAAG (afb. A1)

- Zaagketting
- Terugslag remhendel
- Stuittip
- Primaire handgreep
- Instelbare snelheidsknop
- Oogje
- Batterij-indicator
- Gering olieniveau-indicator
- Voorste handgreep
- Olietank dop
- Zaagblad
- Smeeropening
- Kettingwiel
- Spanner schroef
- AAN-UIT veiligheidsschakelaar
- Zaagbout
- Bladmoer
- Gemonteerde zij-afdekking
- Oliestroom aanpassing schroefafdekking
- Stofverwijderingsafdekking
- Uitwerpmechanisme
- Elektrische contacten
- Accu-ontgrendelingsknop
- Riemhaak
- Gesp
- Riem
- Strop
- Ring 1
- Zaaghaak
- Stekker
- Ring 2
- Kettingbescherming
- Combi-sleutel

NL

INHOUD VAN DE VERPAKKING (AFB. A1)

MONTAGE


MONTEREN/DEMONTEN VAN HET ZAAGBLAD EN DE KETTING

⚠ WAARSCHUWING: Trek de stekker altijd uit het stopcontact en draag veiligheidshandschoenen voordat u monteert of onderhoud uitvoert aan het product.

⚠ WAARSCHUWING: Lees alle veiligheids waarschuwingen, instructies, illustraties en specificaties die met dit elektrisch gereedschap zijn meegeleverd. Het negeren van onderstaande instructies kan leiden tot een elektrische schok, brand en/of ernstig letsel.

⚠ WAARSCHUWING: Zorg ervoor dat u het blad en de zaagketting genoemd in deze handleiding bestelt. Als u dit niet doet, kann dit ernstig letsel tot gevolg hebben.

Bewaar alle waarschuwingen en instructies voor toekomstig gebruik.

- Zorg ervoor dat de terugslag remhendel op  staat
- Schroef de **bladmoer (A-17)** tegen de klok in los en verwijder de **gemonteerde zij-afdekking (A-18)**.
- Plaats de zaagketting in een lus op de vlakke ondergrond en maak eventuele knikken recht. (Afb. B1)
- Plaats de **aandrijfschakels (B-1)** in de **groef (B-2)** op het zaagblad en laat de ketting in een lus naar de achterkant van het zaagblad lopen. (Afb. B2)
- Houd de ketting op zijn plaats op het zaagblad en plaats de lus rond het **kettingwiel (B-3)** van de motorkop en controleer de volgende punten (afb. B3):
 - De aandrijfschakels bevinden zich tussen de tanden van het **kettingwiel (B-3)**.
 - Spanner schroef (B-4)** en **zaagbout (B-5)** bevinden zich in de sleuf van het zaagblad. **Spanningspen (B-6)** grijpt in het gat van het zaagblad.

OPMERKING: Zorg ervoor dat de richting van de pijlen op de tanden van de zaagketting altijd naar voren zijn gericht (afb. B3).

- Zie hiervoor het hoofdstuk **'DE ZAAKSETTING OP SPANNING BRENGEN'** om ervoor te zorgen dat de ketting juist is gemonteerd zonder te verbinden.
- Breng de twee **geleidestangen (B-7)** van de gemonteerde zij-afdekking in lijn met de respectievelijke **gaten (B-8)** in de zaag en plaats vervolgens de gemonteerde zij-afdekking. (Afb. B4)
- Draai de bladmoer vast.

B-1	Aandrijfschakels	B-5	Zaagbout
B-2	Groef	B-6	Spanningspen
B-3	Kettingwiel	B-7	Geleidestangen
B-4	Spanner schroef	B-8	Gaten

OPMERKING: Als het zaagblad moet worden vervangen, verwijder de gemonteerde zij-afdekking en monteer hem met het nieuwe zaagblad zoals weergegeven in afb. C.

GEbruik

Voor elk gebruik moet u het complete product op beschadigingen, ontbrekende of loszittende onderdelen zoals schroeven, moeren, bouten etc. controleren. Draai alle bevestigingsmiddelen en doppen goed vast en gebruik dit product niet totdat alle ontbrekende of beschadigde onderdelen zijn vervangen.

⚠ WAARSCHUWING: Nationale wetten kunnen het gebruik van dit gereedschap beperken.

⚠ WAARSCHUWING: Als u moe of ziek bent of onder invloed van alcohol of drugs staat, mag u het gereedschap niet gebruiken."

OPMERKING: Als er sprake is van controleverlies van het gereedschap, zoals een terugslag, moet u de stroom onmiddellijk uitschakelen.

TOEPASSING

Het product kan in de regen worden gebruikt.

- Deze kettingzaag is speciaal ontworpen voor boomchirurgie en onderhoud.



Deze zaag mag alleen worden gebruikt door personen die speciaal zijn opgeleid voor het onderhoud van bomen.

OPMERKING: We raden aan dat de gebruiker bij het eerste gebruik tenminste oefent met het zagen van houtstammen op een zaagbok of houder.

DE ZAAKSETTING OP SPANNING BRENGEN

⚠ WAARSCHUWING: Raak de ketting nooit aan en pas hem niet aan als de motor draait. De zaagketting is zeer scherp; draag altijd beschermende handschoenen als u onderhoud aan de ketting uitvoert.

De zaagketting zet uit of krimpt tijdens het normale zaaggebruik. De spanning van de ketting verandert hierdoor. Controleer de kettingspanning op een regelmatige basis tijdens het gebruik en pas indien nodig aan.

- Zet de kettingzaag uit, gebruik de kettingrem en trek

NL

de stekker uit het stopcontact.

- Maak de bladmoer los, zodat het zaagblad vrij kan bewegen voor toekomstige instellingen.
- Houd de neus van het blad naar boven en pas de schroef voor de spanning aan totdat de volgende punten van toepassing zijn:
 - De ketting hangt in het midden van het zaagblad door: 1 - 2 mm (afb. D).
 - Laat de kettingrem los en zorg ervoor dat de ketting met twee vingers langs het zaagblad kan worden getrokken.

OPMERKING: Voer deze stap voorzichtig uit om persoonlijk letsel te voorkomen. Omdat deze gelijkstroommotor magnetisch materiaal bevat, voelt u in vergelijking met conventionele benzine-kettingzagen een bepaalde weerstand als u de zaagketting met twee vingers bedient. Het loopt niet zo soepel als bij een benzine-kettingzaag.

- Houd de punt van het blad omhoog en maak de bladmoer vast.

OPMERKING: Als de ketting in het midden van het zaagblad niet 1 - 2 mm doorhangt, moet u de kettingtensioning aanpassen.

HET OLIERESERVOIR VULLEN

- Verwijder het accupack van de kettingzaag.
- Positioneer de kettingzaag op zijn kant op een stevige, vlakke ondergrond, zodat de tankdop van het oliereservoir naar boven wijst. Open de tankdop van het oliereservoir. Als hij te stevig is dichtgedraaid, kunt u een schroevendraaier of combisleutel (meegeleverd) gebruiken om hem los te maken (afb. E).
- Giet voorzichtig de olie in de olietank. Vul tot aan de onderkant van de vulhals. Veeg al de overtollige olie af en sluit het.

OPMERKING:

- De kettingzaag is niet gevuld met olie op het moment van aankoop. Het is van essentieel belang dat de tank voor gebruik met olie wordt gevuld. De ketting wordt automatisch gesmeerd met kettingolie tijdens het gebruik.
- Het is speciaal ontworpen voor een lage wrijving en snellere zaagsnedes.
- Gebruik nooit olie of andere smeermiddelen die niet specifiek zijn ontworpen voor gebruik op het zaagblad en de ketting. Hierdoor kan het oliesysteem verstopt raken, wat een vervroegde slijtage van het zaagblad en de ketting veroorzaakt.

DE OLIESTROOM AANPASSEN (afb. F)

- Deze zaag is voorzien van een **oliestroom-aanpassingsschroef (F-1)**, die zich aan de onderkant van het gereedschap bevindt, om de oliestroom voor het smeren van de ketting, het zaagblad en het zaagsysteem aan te passen. Het verhogen of verlagen van de oliestroom in de richting van de pijlen zoals weergegeven op de behuizing.

LED-INDICATOR OP DE KETTINGZAAG

De kettingzaag is voorzien van 2 led-indicatoren die het olieniveau en het laadniveau van het accupack (de accupacks) aangeeft.

Led-indicator		Betekenis	Actie
Gering olieniveau-indicator (A-8)	Rood knipperend	Te weinig olie	Vul de olietank
	Uit	Moet van olie worden voorzien	/
Batterij-indicator (A-7)	Groen brandend	Accupack heeft geen vermogen meer	/
	Groen knipperend	Het accupack is bijna leeg en moet onmiddellijk worden opgeladen.	Laad de accu op

NL

DE BATTERIJHOLSTER BEVESTIGEN AAN HET KLIMHARNAS

De kettingzaag wordt geleverd met een batterijholster, welke kan worden gebruikt voor het dragen van het accupack en kan worden bevestigd aan het klimharnas (niet inbegrepen).

OPMERKING: Maak de batterijholster stevig vast aan het klimharnas, voordat u het klimharnas aantrekt.

WAARSCHUWING: Het klimharnas met snelontgrendelingsfunctie moet worden voorbereid om te voorkomen dat een noodsituatie ontstaat.

- Kies een geschikte plek voor het inhaken van de batterijholster op het klimharnas, haak de batterijholster in het klimharnas met behulp van de **riemhaak (G-1)**. (Afb. G1)
- Draai de riem om het klimharnas om de batterijholster op zijn plek te fixeren (afb. G2 & G3).
- Bevestig twee **ringen (G-2)** van de veiligheidsstrop aan het klimharnas met behulp van twee karabijnhaken (niet inbegrepen), zoals weergegeven in afb. G4.

G-1	Riemhaak	G-2	Ringen
-----	----------	-----	--------

OPMERKING:

- Tijdens het klimmen in de boom bevestig u ring 1 & 2 van de veiligheidsstrop aan het klimharnas met behulp van karabijnhaken (niet inbegrepen) (afb. G5)
- Als het gereedschap in gebruik is, maakt u ring 2 los van het klimharnas, houdt u de zaag met twee handen vast en voert u de zaagsnede uit (afb. G6).

NL

DE ZAAG AAN DE BATTERIJHOLSTER TE BEVESTIGEN

Bevestig de **zaaghaak (H-2)** van de veiligheidsstrop aan het **oogje (H-1)**. (Afb. H)

H-1	oogje	H-2	zaaghaak
-----	-------	-----	----------

INSTALLEREN/VERWIJDEREN VAN HET ACCUPACK

OPMERKING: Laad het accupack voor de eerste ingebruikname volledig op.

Installeren (afb. I1)

Breng de ribbels van het accupack in één lijn met de bevestigingsleuven en schuif het accupack in de batterijholster totdat hij op zijn plek vastklikt.

Verwijderen (afb. I2)

Druk met uw duim op de accuvrijgaveknop om het accupack te verwijderen.

DE KETTINGZAAG STARTEN/STOPPEN

Starten


1. Breng de **▲** markeringen van de **stekker (J-2)** en de **elektrische aansluiting (J-1)** van de kettingzaag in één lijn en steek de stekker in de kettingzaag totdat de GROENE verzegeling van de stekker HELEMAAL in de aansluiting verdwijnt (afb. J1).
2. Duw de ‚AAN/UIT‘ schakelaar op ‚AAN‘ (afb. J2).
3. Trek de terugslag remhendel naar de primaire handgreep in de  positie.
4. Beweeg de **sluitlip (J-3)** naar voren en druk de **instelbare snelheidsknop (J-4)**. Hoe meer u de instelbare snelheidsknop trekt, hoe hoger de rotatiesnelheid van de zaagketting (afb. J3).

J-1	Elektrische aansluiting	J-3	Sluitlip
J-2	Stekker	J-4	Instelbare snelheidsknop

Stoppen

1. Laat de instelbare snelheidsknop los om de kettingzaag te stoppen.

OPMERKING: De zaagketting roteert nog even door nadat de instelbare snelheidsknop werd losgelaten. Let erop dat er geen contact meer wordt gemaakt na het loslaten van de instelbare snelheidsknop en als u de kettingzaag neerlegt.

2. Druk de terugslag remhendel naar voren in de repositie .
3. Zet de ‚AAN/UIT‘ schakelaar op ‚UIT‘

▲ WAARSCHUWING: Haal altijd de stekker uit de kettingzaag wanneer u een pauze inlast of als u klaar bent met de werkzaamheden.

VOORBEREIDING VOOR HET ZAGEN

Correcte grip op de handgrepen (afb. K)

- Draag anti-slip handschoenen voor een maximale grip en bescherming.
- Pak altijd de voorste handgreep met de linkerhand en de primaire handgreep met de rechterhand vast.
- De vingers dienen de handgreep te omsluiten, met de duim onder de voorste handgreep.

▲ WAARSCHUWING: Gebruik nooit een linkshandige (gekruiste) greep, of een houding waarbij u uw lichaam of arm over de kettinglijn beweegt.

▲ WAARSCHUWING: Druk de schakelaar niet met uw linkerhand en houd de voorste handgreep met uw rechterhand vast. Laat nooit een deel van uw lichaam in de kettinglijn terwijl de kettingzaag in gebruik is (afb. L).

CONTROLLEREN VAN DE KETTINGSMERING (afb. M)

OPMERKING: Zorg ervoor dat de olietank van de kettingzaag gevuld is met voldoende kettingolie.

1. Houd het zaagblad boven een oppervlak met lichte kleur.
2. Zet de zaag aan. U ziet een duidelijke olielijn op het lichtgekleurde oppervlak na 1 minuut als de kettingsmering naar behoren werkt.
3. Als er nog altijd geen kettingolie zichtbaar is op het lichtgekleurde oppervlak, kijk dan in hoofdstuk ‚**DE OLIESTROOM AANPASSEN**‘ om het aan te passen

WERKEN IN DE BOOM

▲ WAARSCHUWING: tijdens het werken of klimmen, is aanvullende ondersteuning zoals een voethaak, aanpasbaar koord aan te raden om slingeren of een zaagongeluk te voorkomen.

Controleer voor gebruik alstublieft de volgende punten:

- Controleer de slijtagesporen op het **kettingwiel (N-1)**. Als de slijtagesporen dieper dan 0,5 mm zijn: neem contact op met de service-dealer van EGO om het kettingwiel te vervangen.
- Controleer ook het remsysteem, als de slijtageverschijnselen op de **remvoering (N-2)** ongelijk zijn, neem dan contact op met de service-dealer van EGO om de remvoering te laten vervangen. (Afb. N)

N-1	Kettingwiel	N-2	Remvoering
-----	-------------	-----	------------

- Controleer het zaagblad; zie het gerelateerde hoofdstuk: **ZAAGBLAD ONDERHOUD**
- Controleer de zaagketting; zie bijbehorende alinea: **KETTING ONDERHOUD**
- Test de kettingrem; zie bijbehorende alinea: **TERUGSLAG VEILIGHEIDSRICHTINGEN VAN DEZE**

KETTINGZAAG

- Controleer de bedieningen; zie bijbehorende alinea: **DE KETTINGZAAG STARTEN/STOPPEN**
- Controleer de kettingsmering; zie bijbehorende alinea: **CONTROLLEREN VAN DE KETTINGSMERING**

ONDERHOUD

REINIGING

- Na ieder gebruik dient u het vuil met een zachte borstel van de ketting en het zaagblad te verwijderen. Veeg het oppervlak van de kettingzaag schoon met een vochtige doek en een mild zeepsopje.
- Voor de grondige reiniging moet de gemonteerde zij-afdekking worden verwijderd, het zaagblad en de zaagketting ook en daarna kunt u met een zachte borstel vuil van het zaagblad, zaagketting en het aandrijftandwiel van de motor van de kettingzaag reinigen.
- Verwijder altijd houtsnippers, zaagsel en vuil van de groef van het zaagblad als u de zaagketting vervangt.

STOF VERWIJDEREN

1. Verwijder de stekker, laat de kettingzaag afkoelen en draai de dop van de olietank vast.
2. Activeer de zaagreem
3. Gebruik de combi-sleutel (inbegrepen) om de schroef van de **stofverwijderingsafdekking (O-1)** los te draaien en te openen (afb. O1).
4. Verwijder het zaagstof en zaagsel dat zich heeft opgehoopt in koelvin met behulp van perslucht, blaas het van de tegenovergestelde richting van de

luchtinlaat (O-2). (Afb. O2).

O-1	Stofverwijderingsafdekking	O-2	Luchtinlaat
-----	----------------------------	-----	-------------

ZAAGBLAD ONDERHOUD

Als het zaagblad tekenen van slijtage vertoont, demonteer hem dan de kettingzaag motorkop en draai hem om voor hernieuwde montage (afb. P1), hierdoor bereikt u de maximale levensduur.

Het zaagblad dient iedere dag van gebruik te worden gereinigd (inclusief **zaagbladgeleiders (P-1)** en de **smeeropening (P-2)**) en dient op slijtage en beschadigingen te worden gecontroleerd (afb. P2). Vering of afbramen van de bladgeleiders is een normaal slijtageproces van het zaagblad. Dergelijke fouten dienen te worden verholpen met een vijl zodra deze de kop opsteken. Een blad met één van de volgende fouten dient te worden vervangen.

Slijtage aan de binnenkant van de bladgeleiders waardoor de ketting over de zijkant kan lopen.

- Gebogen zaagblad.
- Gescheurde of gebroken geleiders.
- Uiteenstaande geleiders.

Het zaagblad heeft een tandwiel aan de punt. Het tandwiel moet op een wekelijkse basis worden gesmeerd met een vetspuit om de levensduur van het zaagblad te verlengen (afb. P3 & P4). Draai het **neustandwiel (P-3)** omhoog terwijl u het **doorschijnend geel, doorschijnend rood of doorschijnend vet** in de **smeeropening (P-4)** pompt, totdat het gehele tandwiel is voorzien van nieuw vet. Druk geen vuil in het gat.

P-1	Zaagbladgeleiders	P-3	Kettingwiel
P-2	Smeeropening	P-4	Smeeropening

KETTING ONDERHOUD

Gebruik alleen kettingen met een lage terugslag op deze zaag. Deze snel zagende ketting zorgt voor een verminderde terugslag als hij correct wordt onderhouden.

Een goed geslepen zaagketting snijdt moeiteloos door hout, zelfs met zeer weinig druk. Gebruik nooit een botte of beschadigde zaagketting. Een botte zaagketting leidt tot verhoogde lichamelijke krachtsinspanning, verhoogde trilling, onbevredigende zaagresultaten en verhoogde slijtage.

Voor het soepel en snel zagen dient de ketting correct te worden onderhouden. De ketting moet worden geslepen als de houtsnippers klein en poederachtig zijn, de ketting met kracht door het hout moet worden gedrukt of als de ketting aan slechts één zijde zaagt. Tijdens het onderhoud van uw ketting moet u rekening houden met het volgende:

- Een onjuiste vijlhoek van de zijplaat kan het risico op een zware terugslag verhogen.

- Dieptemeter speling. Te laag verhoogt het potentiële risico op een terugslag. Niet laag genoeg vermindert het zaagvermogen.
- Als de zaagtanden harde voorwerpen hebben getroffen, zoals spijkers en stenen, of als ze worden afgeschuurd door modder of zand op het hout, moet de ketting worden geslepen door een gekwalificeerde servicemonteur.

OPMERKING: het wordt aanbevolen om het slijpen en het onderhoud van de **zaagketting** uit te laten voeren door geautoriseerde servicecenters.

NL

TRANSPORT EN OPSLAG

- Berg de kettingzaag nooit op en transporteer hem niet als hij aan staat. Trek de stekker altijd eruit voordat u hem opbergt of transporteert.
- Plaats altijd de bescherming op het zaagblad en de ketting voordat u de kettingzaag opslaat of transporteert. Let op voor de scherpe tanden van de ketting.
- Maak de kettingzaag grondig schoon voordat u deze opbergt. Berg de kettingzaag binnenshuis op in een droge ruimte die voor kinderen gesloten en/of ontoegankelijk is.
- Houd uit de buurt van corrosieve middelen, zoals tuinchemicaliën en strooizout.

Het milieu beschermen



WEEE (afgedankte elektrische en elektronische apparatuur) Gooi geen elektrische apparatuur, gebruikte batterijen en laders weg via het huishoudelijk afval! Geef dit product af bij een geautoriseerd recyclingbedrijf en zorg dat het apart kan worden ingezameld. Elektrisch gereedschap moet worden afgegeven voor een milieuvriendelijke recycling.

PROBLEEMOPLOSSING

PROBLEEM	OORZAAK	OPLOSSING
De motor start niet.	<ul style="list-style-type: none"> ■ De stekker van de batterijholster is niet met de kettingzaag verbonden. ■ Er is geen elektrisch contact tussen de batterijholster en de accu. ■ De sluitlip is niet naar boven gevouwen. ■ De ‚AAN-UIT‘ schakelaar staat op ‚UIT‘. ■ De kettingrem is geactiveerd. 	<ul style="list-style-type: none"> ■ Steek de stekker van de batterijholster in de kettingzaag. ■ Ontkoppel de accu, controleer de contacten en herinstalleer het accupack weer. ■ Vouw de sluitlip naar boven voordat u start. ■ Zet de ‚AAN/UIT‘ schakelaar op ‚AAN‘. ■ Trek de ketting terugslag remhendel naar achteren naar de bovenste handgreep tot in de gebruikspositie.
De kettingzaag stopt met lopen tijdens het gebruik.	<ul style="list-style-type: none"> ■ Het accupack of de kettingzaag is te warm. ■ De kettingzaag is overbelast. ■ Te veel stukjes hout blokkeren het ventilatiekanaal. ■ Het accupack is uitgeput. 	<ul style="list-style-type: none"> ■ Koel het accupack of de kettingzaag af ■ Verlaag de belasting. ■ Verwijder het stof; zie hiervoor de alinea ‚STOF VERWIJDEREN‘. ■ Laad het accupack op
De kettingrem wordt niet geactiveerd	<ul style="list-style-type: none"> ■ Vuil voorkomt de volledige beweging van de ketting terugslag remhendel ■ Mogelijke kettingrem storing 	<ul style="list-style-type: none"> ■ Verwijder vuil van het externe kettingremmechanisme ■ Neem contact op met de klantenservice van EGO in geval van reparaties.
Geen smering tijdens het zagen.	<ul style="list-style-type: none"> ■ Kettingolie tank is leeg. ■ De olie-uitgang van het zaagblad is geblokkeerd ■ Olieverharding bij lage temperatuur 	<ul style="list-style-type: none"> ■ Smeermiddel van het zaagblad en de ketting bijvullen. ■ Verwijder het stof in de olieuitgang. ■ Vervang de juiste smeerolie (geschikt voor lage temperatuur)
De geringe olieniveau-indicator knippert rood of toont abnormaal licht terwijl de olietank wordt gevuld met olie.	<ul style="list-style-type: none"> ■ Als het gereedschap in een speciale hoek wordt gehouden, kan het gebeuren dat de olie in de olietank niet naar de olieleiding kan geraken. ■ De categorie en kleur van de olie is niet aanbevolen. ■ Gering olieniveau-indicator knippert nog altijd rood. 	<ul style="list-style-type: none"> ■ Plaats de kettingzaag vlak en probeer het nogmaals. ■ Gebruik de aanbevolen doorschijnend gele, doorschijnend rode of doorschijnende olie ■ Neem contact op met de klantenservice van EGO in geval van reparaties
Geringe olie-indicator werkt niet als de olietank te weinig olie bevat.	<ul style="list-style-type: none"> ■ De categorie en de kleur van de olie kan niet worden vastgesteld. ■ Er bevindt zich nog een beetje olie in de olietank of de olieleiding ■ Gering olieniveau-indicator werkt nog altijd niet vanwege de bovenstaande redenen. 	<ul style="list-style-type: none"> ■ Gebruik de aanbevolen doorschijnend gele, doorschijnend rode of doorschijnende olie ■ Gebruik de kettingzaag een poosje en observeer vervolgens de geringe olieniveau-indicator ■ Neem contact op met de klantenservice van EGO in geval van reparaties.

NL

GARANTIE

EGO GARANTIEBELEID

Bezoek alstublieft de website egopowerplus.eu voor de volledige voorwaarden van het EGO garantiebeleid.

LAS ALLE ANVISNINGER!



LÆS BRUGERVEJLEDNINGEN

SIKKERHEDSSYMBOL

Formålet med sikkerheds- symboler er at tiltrække din opmærksomhed på mulige farer. Du skal være meget opmærksom på sikkerhedssymbolerne og forklaringerne til dem og lære at forstå dem. Symbolernes advarsler fjerner ikke i sig selv eventuelle farer. Anvisningerne og advarslerne er ingen erstatninger for ordentlig forebyggelse af ulykker.

⚠ ADVARSEL: Sørg for at læse og forstå alle sikkerhedsanvisninger i denne brugsanvisning, herunder alle sikkerhedssymboler, såsom "FARE," "ADVARSEL" og "FORSIGTIG", før du bruger dette værktøj. Hvis anvisningerne nedenfor ikke følges, kan det føre til elektrisk stød, brand og/eller alvorlig personskade.

DK

SYMBOLERNES BETYDNING

Denne side viser og beskriver sikkerhedssymboler, der kan være på dette produkt. Læs, forstå, og følg alle anvisningerne på maskinen, før du forsøger at samle og betjene den.

SIKKERHEDSSYMBOLER



Sikkerhedsadvarsel



Brug kraftige handsker, der er lavet af slidstærkt materiale



Benyt skridsikkert sikkerhedsfodtøj



Pas på tilbageslag - Undgå, at spidsen af savsværdet kommer i kontakt med nogen genstande.



Tilbageslag på spidsen af savsværdet - Hvis spidsen af savsværdet kommer i kontakt med en genstand, kan det slynges opad og bagud, hvilket kan føre til alvorlige skader.



Dette produkt overholder gældende britisk lovgivning.



Garanteret lydniveau.



Dette produkt er i overensstemmelse med gældende EU-direktiver.

IPX5 Beskyttelse mod vandstråler



For at reducere risikoen for skader, skal brugeren læse og forstå brugsanvisningen, før dette produkt tages i brug.



Brug tætsiddende tøj. Brug ikke halstørklæder, slips eller smykker



Brug tætte sikkerhedsbriller, ørepropper eller høreværn og en sikkerhedshjelm med hagestroppen



Hold altid med begge hænder - Brug altid to hænder, når motorsaven bruges.



Oplysninger om savsværdet.



Elektriske affaldsprodukter må ikke bortskaffes sammen med husholdningsaffald. Bring det til en godkendt genbrugsplads.

V

Volt



Jævnstrøm (DC)

SPECIFIKATIONER

Spænding	56 V	
Anbefalet driftstemperatur:	-15°C-40°C	
Anbefalet opbevaringstemperatur:	-40°C-70°C	
Optimal opladningstemperatur	5°C-40°C	
Skærelængde	300 mm	
Kædehastighed	20m/s	
Kædedeling	3/8" (9,5 mm)	
Kædemåler	1,1 mm	
Savkædetype	AC1200 (anbefalet) AC1400/AC1401 (kompatibel) AC1600/AC1601 (kompatibel)	
Sværdtype	AG1200 (anbefalet) AG1400/AG1401 (kompatibel) AG1600/AG1601 (kompatibel)	
Kædehøjde	3/8" (9,5 mm)	
Kædemåler	1,1 mm	
Antal tænder på tandhjul	6	
Olietankens kapacitet	250ml	
Vægt (uden batteripakke, kædehylster)	3,5 kg	
Målt lydeffektniveau L_{WA}	98,8 dB(A) K=3 dB(A)	
Lydtryk tæt ved arbejdspositionen L_{PA}	88,1 dB(A) K=3 dB(A)	
Garanteret lydeffektniveau L_{PA} (i henhold til 2000/14/EF)	102 dB(A)	
Vibration a_h	Forreste håndtag	1,73 m/s ² K= 1,5 m/s
	Hovedhåndtag	2,21 m/s ² K= 1,5 m/s

- Den samlede erklærede vibrationsværdi er målt i overensstemmelse med en standard testmetoden, og den kan bruges til at sammenligne et værktøj med et andet;
- Den samlede angivne vibrationsværdi kan også bruges

ved en foreløbig vurdering af eksponeringen.

BEMÆRK: Vibrationsemissionen ved faktisk brug af elværktøjet kan afvige fra den angivne værdi, hvor værktøjet bruges. For at beskytte brugeren, skal brugeren bruge handsker og høreværn i de faktiske brugsforhold.

BESKRIVELSE

GØR DIG BEKENDT MED DIN MOTORSAV (fig. A1)

- Savkæde
- Bremsehåndtag ved tilbageslag
- Låsegreb
- Hovedhåndtag
- Gashåndtag med forskellige hastigheder
- Øje
- Batteriindikator
- Lav olie-indikator
- Forreste håndtag
- Låg til oliebeholder
- Savsværd
- Hul til smøring
- Kædehjul
- Skrue til stramning af kæden
- Tænd/sluk-sikkerhedsknap
- Sværdbolt
- Sværdmøtrik
- Samlet sidedæksel
- Dæksel til skrue til justering af oliestrøm
- Dæksel til støvfjernelse
- Udløsermekanisme
- Elektriske kontakter
- Udløserknap til batteri
- Bælteknop
- Spænde
- Ledning
- Rem
- Ring 1
- Savkrog
- Strømsstik
- Ring 2
- Kædehylster
- Kombi-skruenøgle

DK

LISTE OVER DELE (FIG. A1)

SAMLING

MONTERING/AFMONTERING AF SVÆRDET OG KÆDEN

⚠ ADVARSEL: Afbryd altid strømtikket, og brug beskyttelseshandsker, inden produktet samles og inden du udfører vedligeholdelse på produktet.

⚠ ADVARSEL: Læs alle sikkerhedsadvarsler, anvisninger, billeder og specifikationer, der følger med dette elværktøj. Hvis anvisningerne nedenfor ikke følges, kan det føre til elektrisk stød, brand og/eller alvorlig personskade.

⚠ ADVARSEL: Sørg for at bestille sværdet og savkæden, der står i denne vejledning. Hvis dette ikke gøres, kan det føre til alvorlig skade.

Gem alle advarsler og instruktioner til fremtidig reference.

1. Sørg for, at bremsehåndtaget ved tilbageslag står på .
2. Løsn **sværdmøtrikken (A-17)** mod uret, for at fjerne **sidedækslet (A-18)**.
3. Læg savkæden i en løkke på en plan flade, og ret alle knæk ud. (Fig. B1)
4. Sæt **kædeleddene (B-1)** i **rillen (B-2)** på sværdet, og sørg for at kæden danner en løkke på bagsiden af sværdet. (Fig. B2)
5. Hold kæden på plads på sværdet, og sæt kædeløkken omkring kædehullet (B-3) på motorhuset og kontroller følgende dele (fig. 3).
 - a) Kædeleddene sidder i tænder på **kædehullet (B-3)**.
 - b) **Skrue til stramning af kæden (B-4)** og **sværdbolt (B-5)** sidder i rillen på sværdet. **Spændestift (B-6)** sidder i hullet på sværdet.

BEMÆRK: Sørg for, at pilene på savkædetænderne peger fremad (fig. B3).

6. Se afsnittet »**STRAMNING AF SAVKÆDEN**« for, at sikre at kæde er sat ordentligt på og at den ikke binder.
7. Sørg for, at de to **sværdpinde (B-7)** på sidedækslet passer med **hullerne (B-8)** i saven, og sæt derefter sidedækslet på. (fig. B4)
8. Stram sværdmøtrikken

B-1	Kædeled	B-5	Sværdbolt
B-2	Rille	B-6	Stift til stramning af kæden
B-3	Kædetandhjul	B-7	Sværdpinde
B-4	Skrue til stramning af kæden	B-8	Huller

BEMÆRK: Hvis sværdet skal skiftes, skal du tage sidedækslet af og sæt det på det nye sværd, som vist i fig. C.

BETJENING

Før hvert brug skal hele produktet ses efter for beskadigede, manglende eller løse dele såsom skruer, møtrikker, bolte og lignende. Stram alle fastgørelsesanordninger og hætter forsvarligt. Dette produkt må ikke bruges, før alle manglende eller beskadigede dele er skiftet.

⚠ ADVARSEL: Lovgivningen i dit land kan begrænse brugen af maskinen.

⚠ ADVARSEL: Hvis du er træt, syg eller påvirket af alkohol eller andre stoffer, må du ikke bruge maskinen.

BEMÆRK: Hvis maskinen er ude af kontrol - hvis den fx giver tilbageslag - skal du straks slukke for strømmen.

ANVENDELSE

Dette produkt kan bruges i regn.

- Denne motorsav er særlig beregnet til afgrening i træer og til vedligeholdelse.



Denne sav må kun bruges af personer, der kender til træarbejde.

BEMÆRK: Det anbefales, at førstegangsbrugere - som minimum - øver sig i at skære træstammer på en savbuk eller holder.

STRAMNING AF SAVKÆDEN

⚠ ADVARSEL: Kæden må aldrig røres ved eller justeres, når motoren kører. Motorsaven er meget skarp. Sørg altid for at bruge beskyttelseshandsker, når du udfører vedligeholdelsesarbejde på kæden.

Savkæden udvider sig og trækker sig sammen under brug. Dette fører til ændringer i kædens spænding. Kontroller kædens spænding regelmæssigt under brug og juster den hvis nødvendigt.

1. Sluk motorsaven, slå kædebremsen til og træk stikket ud af stikkontakten.
2. Løsn sværdmøtrikken, så sværdet kan bevæge sig frit og justeres fremad.
3. Hold sværdets spids opad, og juster skruen til stramning af kæden, indtil følgende punkter gælder:
 - a) Kædesænkning midt på sværdet er ca.: 1 - 2 mm (fig. D).
 - b) Løsn kædebremsen, og sørg for, at kæden kan trækkes langs sværdet med to fingre.

BEMÆRK: Udfør forsigtigt dette trin for at undgå personskader. Da denne jævnstrømsmotor indeholder magnetisk materiale, mærker du en vis modstand når

DK

du flytter savkæden med to fingre, hvilket ikke er tilfældet på en benzindrevet motorsav. Den kører ikke så jævnt, som på en benzindrevet motorsav.

4. Hold sværdets spids opad og stram sværdmøtrikken.

BEMÆRK: Hvis kædesænkningen på midten af sværdet ikke er 1 - 2 mm, skal kædens spænding justeres igen.

PÅFYLDNING AF OLJETANKEN

1. Afbryd motorsavens batteripakke.
2. Læg motorsaven på siden på en fast, flad overflade, så olietankdækslet vender opad. Åbn dækslet på olietanken. Hvis det er for stramt, skal du bruge skruenøglen (medfølger) til at løsne det (fig. E)
3. Fyld forsigtigt olien i olietanken. Fyld op til den nederste kant på halsen. Tør olierester af, og sæt dæksel på.

BEMÆRK:

- Motorsaven er ikke fyldt med olie, når den købes. Der skal fyldes olie på motorsaven inden brug. Kæden smøres automatisk med kædeolien, når saven bruges.
- Den er specielt udviklet til at give lav friktion og hurtigere arbejde.
- Brug aldrig olie eller andre smøremidler, der ikke er beregnet til sværdet og kæden. Dette kan tilstoppe oliesystemet, som kan hurtigt slide sværdet og kæden.

JUSTERING AF OLIESTRØMMEN (fig. F)

- Denne sav er udstyret med en **oliestrømsjusteringsskrue (F-1)** for neden på værktøjet. Den bruges til at justere oliestrømmen til smøring af kæden, sværdet og skæresystemet. Følg pilens retning for forøgelse eller reduktion af oliestrømmen, som markeret på kabinettet.

LYSINDIKATORERNE PÅ MOTORSAVEN

Motorsaven er udstyret med 2 lysindikatorer, der viser oliestatus og opladningsstatus på batterierne.

Lysindikator	Betydning	Handling	
Indikator for olieindikator (A-8)	Blinker rødt	Mangel på olie	Fyld olietanken op
	Lyser ikke	Har olie	/
Batteriindikator (A-7)	Lyser grøn	Batteriet har strøm	/
	Blinker grønt	Batteriet er ved at løbe tør for strøm og skal straks oplades.	Skift batteriet

MONTERING AF BATTERIHYLSTERET PÅ KLATRESELEN

Denne motorsav leveres med et batterihylster, som bruges til at bære batteripakken og gør det muligt at fastgøre det til en klatresele (medfølger ikke).

BEMÆRK: Sæt batterihylsteret fast på klatreselen, inden klædeselen tages på.

⚠ ADVARSEL: Brug klatreselen med hurtigudløsningsfunktion i tilfælde af en nødsituation.

1. Find et passende sted, hvor du ønsker at sætte batterihylsteret på klatreselen, og hæng batterihylsteret på klatreselen med **bæltetkrogen (G-1)**. (Fig. G1)
2. Sæt bæltet rundt om klatreselen for, at sætte batterihylsteret fast (fig. G2 & G3).
3. Sæt de to **ringe (G-2)** på sikkerhedsremmen fast på klatreselen med to karabinhager (medfølger ikke), som vist i figur G4.

G-1	Bæltetkrog	G-2	Ringe
-----	------------	-----	-------

BEMÆRK:

- Når du klatrer i træet, skal du fastgøre sætte ring 1 og 2 på sikkerhedsremmen på klatreselen med karabinhager (medfølger ikke) (fig. G5)
- Når værktøjet er i brug, skal du løsne ring 2 fra klatreselen, og holde saven i to hænder, når du saver (fig. G6).

FASTGØRELSE AF SAVEN PÅ BATTERIHYLSTERET

Sæt **savkrogen (H-2)** på sikkerhedsremmen på **øjet (H-1)**. (Fig. H)

H-1	Øje	H-2	Savkrog
-----	-----	-----	---------

INSTALLATION/FJERNELSE AF BATTERIPAKKE

BEMÆRK: Oplad batteriet helt før første brug.

Isættelse (fig. I1)

Flugt de hævede ribber på batteripakken med monteringsrillerne, og tryk derefter batteriet ned i batterihylsteret, indtil det klikker på plads.


Udtagelse (fig. I2)

Tryk på knappen til batterifrigivelse med tommeltotten for, at fjerne batteripakken.

DK


SÅDAN STARTES/STOPPES MOTORSAVEN

Sådan startes produktet

1. Sørg for, at "▲" mærkerne på **strømsstikket (J-2)** og motorsavens strømstik (J-1) passer sammen, og sæt derefter stikket i motorsaven, indtil den GRØNNE pakning på stikket forsvinder HELT i stikket (fig. J1).
2. Sæt »tænd/sluk«-knappen på »Tænd« (Fig. J2).
3. Træk bremsehåndtaget ved tilbageslag mod hovedhåndtaget til .
4. Tryk **låsegrebet (J.3)** fremad, og tryk derefter på **gashåndtaget (J-4)**. Jo mere du trækker i gashåndtaget, jo hurtigere kører motorsaven (fig. J3).

J-1	Elektrisk stik	J-3	Låsegreb
J-2	Strømstik	J-4	Gashåndtag

Sådan stoppes produktet

1. Slip gashåndtaget for, at stoppe motorsaven.
2. Tryk bremsehåndtaget ved tilbageslag frem til bremsepositionen »«.
3. Stil "Tænd-sluk"-knappen på "Sluk"

⚠ ADVARSEL: Tag altid motorsavens stik ud af stikkontakten i pauser og, når du er færdig med at bruge motorsaven.

FORBEREDELSE TIL SAVNING

Sådan holder du et korrekt greb om håndtagene (fig. K)

- Brug skridsikre handsker, så du får et maksimalt greb og beskyttelse.
- Tag altid fast i det forreste håndtag med venstre hånd og i hovedhåndtag med højre hånd.
- Fingrene skal omringe håndtaget, med tommelfingeren under det forreste håndtag.

⚠ ADVARSEL: Brug aldrig et venstrehåndsgreb (kejthåndet). Og stå aldrig på måde, som ville placere din krop eller arm i savelinjen.

⚠ ADVARSEL: Brug ikke gashåndtaget med din venstre hånd, og hold forhåndtaget med din højre hånd. Undgå altid, at kroppen befinder sig i kædelinjen, når du bruger en motorsav (fig. L).

KONTROL AF KØDESMØRINGEN (fig. M)

BEMÆRK: Sørg for, at motorsaven er fyldt med den rigtige mængde kædeolie.

1. Hold sværdet over en lys farvet overflade.
2. Tænd for saven. Du kan se en tydelig olielinje på den lyse overflade efter 1 minut, hvis kædesmøring virker ordentligt.
3. Hvis kædeolie stadig ikke er synlig på den lyse overflade, bedes du se afsnittet "JUSTERING AF OLIESTRØMMEN" for at justere den

BRUG I ET TRÆ

⚠ ADVARSEL: Når du arbejder eller klatrer, anbefales det at bruge en ekstra støtte, såsom en fodbøjle eller et justerbart taljereb, så du undgår udsving eller skæreulykker.

Inden du bruger den, skal du kontrollere følgende punkter:

- Kontroller slidmærkerne på **kædehjulet (N-1)**. Hvis slidmærkerne er dybere end 0,5 mm, skal du kontakte din EGO-serviceforhandler for, at skifte kædehjulet.
- Kontroller også bremsesystemet. Hvis slidmærker på **bremsebelægningen (N-2)** er ujævne, skal du kontakte din EGO-serviceforhandler for, at skifte bremsebelægningen. (Fig. N)

N-1	Kædetandhjul	N-2	Bremsebelægning
-----	--------------	-----	-----------------

- Kontrol af sværdet. Se relateret afsnit: **VEDLIGEHOLDELSE AF SAVSVÆRDET**
- Kontrol af savkæden. Se relateret afsnit: **VEDLIGEHOLDELSE AF KÆDEN**
- Test af kædebremsen. Se relateret afsnit: **SIKKERHEDSENHEDER MOD TILBAGESLAG PÅ DENNE**

MOTORSAV

- Kontrol af betjeningsknapperne. Se relateret afsnit: **SÅDAN STARTES/STOPPES MOTORSAVEN**
- Kontrol af kædens smøring. Se relateret afsnit: **KONTROL AF KØDESMØRINGEN**

VEDLIGEHOLDELSE

RENGØRING

- Efter hver brug, skal kæden og savsværdet rengøres for rester med en blød børste. Tør motorsavens overflade af med en ren klud, fugtet med en mild sæbeopløsning.

DK

- For grundig rengøring skal du fjerne sidedækslet, tage sværdet og savkæden af, og brug derefter en blød børste til grundigt at fjerne snavs på sværdet, savkæden og drivhjulene på motorsavens motorhoved.
- Rengør altid rillen på savsværdet for træflis, savsmuld og skidt, inden savkæden sættes på.

FJERN STØV

1. Afbryd strømstikket, og lad motorsaven køle ned, og stram dækslet på olietanken.
2. Lås savbremsen
3. Brug kombi-skruenøglen (medfølger) til at løsne skruen på **dækslet til støvfjernelse (O-1)** for at åbne det (fig. 01).
4. Rengør savsmuld og spåner, der har samlet sig i køleribben med trykluft. Blæs den fra den modsatte side af **luftindtaget (O-2)**. (Fig. 02)

O-1	Dæksel til støvfjernelse	O-2	Luftindtag
-----	--------------------------	-----	------------

VEDLIGEHOLDELSE AF SAVSVÆRDET

Når sværdet viser tegn på slid, skal det tages af motorhovedet og vendes om (fig. P1). På denne måde slides sværdet på begge sider, så det holder længere.

Sværdet - herunder **sværdskinne (P-1)** og **hullet til smøring (P-2)** - skal rengøres hver dag efter brug, og de skal ses efter for slid og skader (fig. P2). Udtynding og afrgratning på rillen af sværdet er et normalt tegn på slid. Sådanne fejl skal jævnes ud med en fil, så snart de opstår. Et sværd med en af følgende fejl, skal skiftes.

Slid på indersiden af rillen på sværdet, som får kæden til at køre skævt.

- Et bøjet sværd.
- Revnede eller ødelagte riller.
- Udvidede riller.

Sværdet har et tandhjul i spidsen. Tandhjulet skal smøres ugentligt med en fedtsprøjt, så dets levetid forlænges (fig. P3 & P4). Drej **næsetandhjulet (P-3)**, mens du pumper det **gennemsigtige gule, gennemsigelige røde eller gennemsigtige fedt** ind i **hullet til smøring (P-4)**, indtil hele tandhjulet har nyt fedt. Tryk ikke skidt ind i hullet.

P-1	Sværdriller	P-3	Kædehjul
P-2	Hul til smøring	P-4	Hul til smøring

VEDLIGEHOLDELSE AF KÆDEN

Brug kun kæder, der reducerer chancen for tilbageslag. Den hurtige savkæde reducerer chancen for tilbageslag, når den vedligeholdes ordentligt.

En ordentlig slebet kæde kan nemt save gennem træ, også uden meget pres. Brug aldrig en nedslidt eller beskadigede savkæde. En nedslidt kæde øger den fysiske belastning, får motorsaven til at vibrere mere og save dårligere, og slider mere på motorsaven.

For nem og hurtig skæring, skal kæden vedligeholdes ordentligt. Kæden skal slibes, hvis træfliserne bliver små og ligner savsmuld, hvis motorsaven skal tvinges gennem træet eller hvis motorsaven saver til den ene side. Når kæden vedligeholdes, skal du holde øje med følgende:

- Forkert slibeinkel på sidepladen kan øge risikoen for alvorlige tilbageslag.
- Indstilling af dybdemåleren. Hvis den er for lav, øges risikoen for tilbageslag. Hvis den er for høj, reduceres saveevnen.
- Hvis skæretænderne har ramt hårde genstande, såsom søm eller sten, eller er blevet slidt af mudder eller sand på træet, skal kæden slibes af en kvalificeret servicetekniker.

BEMÆRK: Det anbefales, at få **savkæden** slebet og vedligehold af et autoriserede servicecentre.

TRANSPORT OG OPBEVARING

- Motorsaven må ikke opbevares eller transporteres, når den kører. Træk altid stikket ud af stikkontakten inden motorsaven gemmes væk og transporteres.
- Sæt altid skeden på sværdet og hylsteret på kæden, inden motorsaven gemmes væk eller transporteres. Vær forsigtig med ikke at røre de skarpe tænder på kæden.
- Rengør motorsaven grundigt før opbevaring. Motorsaven skal opbevares indendørs på et tørt sted, der er låst og/eller utilgængelige for børn.
- Holdes væk fra ætsende stoffer, såsom havekemikalier og vejsalt.

Beskyttelse af miljøet



WEEE (Waste Electrical and Electronic Equipment) Elektrisk udstyr, batterioplader og batterier må ikke smides ud sammen med almindelig husholdningsaffald! Tag dette produkt til en autoriseret genbrugsplads, og sørg for at det sendes til genbrug. Elektriske værktøjer skal returneres til et miljøkompatibelt genvindingsanlæg.

DK

FEJLFINDING

DK

PROBLEM	ÅRSAG	LØSNING
Motoren kører ikke.	<ul style="list-style-type: none"> ■ Stikket til batterihylsteret er ikke sat til motorsaven. ■ Ingen elektrisk kontakt mellem batterihylsteret og batteriet. ■ Låsegrebet er ikke foldet op. ■ "Tænd-sluk"-knappen står på "Sluk". ■ Kædebremsen er aktiveret. 	<ul style="list-style-type: none"> ■ Sæt strømstikket på batterihylsteret i motorsaven. ■ Fjern batteriet, kontroller kontakter og sæt batteriet i igen. ■ Fold låsegrebet op inden start. ■ Stil »Tænd/sluk«-knappen på »Tænd«. ■ Træk kædebremshåndtaget tilbage mod det forreste håndtag, så det sidder i driftspositionen.
Motorsaven holder op med, at køre under arbejdet.	<ul style="list-style-type: none"> ■ Batteripakken eller motorsaven er for varm. ■ Motorsaven overbelastet. ■ For mange trærester tilstopper ventilationskanalen. ■ Batteriet er afladet. 	<ul style="list-style-type: none"> ■ Nedkøl batteripakken eller motorsaven ■ Reducer belastningen. ■ Rengør støvet. Se afsnittet "FJERN STØV". ■ Oplad batteripakken
Kædebremsen aktiveres ikke	<ul style="list-style-type: none"> ■ Snavs forhindrer kædebremsehåndtaget i at kunne bevæges ■ Mulig funktionsfejl på kædebremsen 	<ul style="list-style-type: none"> ■ Rengør for snavs på den eksterne kædebremsemekanisme ■ Kontakt EGO's kundeservice for reparation.
Ingen oliesmøring under skæring.	<ul style="list-style-type: none"> ■ Der er ikke mere olie i oliebeholderen. ■ Kædestangens olieudgang er blokeret ■ Olien størkner i lave temperaturer 	<ul style="list-style-type: none"> ■ Sørg for at der er nok smøremiddel til savsværdet og kæden. ■ Fjern støvet i olieudgangen. ■ Skift til den korrekte smøreolie (beregnet til en lav temperatur)
Indikatoren for lav olie blinker rød eller viser unormalt lys, og olietanken er fyldt med olie.	<ul style="list-style-type: none"> ■ Maskinens bruges i en særlig vinkel, der gør, at olien i olietanken ikke kommer ind i olierøret. ■ Oliekategori og -farve anbefales ikke. ■ Indikatoren for lav olie blinker stadig rødt. 	<ul style="list-style-type: none"> ■ Anbring motorsaven fladt, og prøv igen. ■ Brug den anbefalede gennemskinnelige gule, gennemskinnelige røde eller gennemskinnelige olie ■ Kontakt EGO's kundeservice for reparation
Indikatoren for lav olie fungerer ikke, når olietanken mangler olie.	<ul style="list-style-type: none"> ■ Oliekategorien og -farven kan ikke identificeres. ■ En lille mængde olie er stadig i olietanken eller olierøret ■ Indikatoren for lav olie fungerer stadig ikke af ovenstående grunde. 	<ul style="list-style-type: none"> ■ Brug den anbefalede gennemskinnelige gule, gennemskinnelige røde eller gennemskinnelige olie ■ Brug motorsaven et stykke tid, og hold derefter øje med indikatoren for lav olie igen ■ Kontakt EGO's kundeservice for reparation.

GARANTI

EGO GARANTI POLITIK

Besøg venligst hjemmesiden egopowerplus.eu for fuldstændige vilkår og betingelser for EGO's garantipolitik.

LÄS IGENOM ALLA INSTRUKTIONER!



LÄS IGENOM BRUKSANVISNINGEN

SÄKERHETSSYMBOL

Syftet med säkerhetssymboler är att uppmärksamma eventuella faror. Säkerhetssymbolerna och förklaringarna av dessa kräver din fullständiga uppmärksamhet och förståelse. Symbolvarningarna i sig eliminerar inte några faror. Instruktionerna och varningarna som ges är inte något substitut för korrekta åtgärder för förhindrande av olyckor.

⚠ VARNING: Var noga med att läsa och förstå alla säkerhetsinstruktioner i denna bruksanvisning, inklusive alla varningssymboler såsom **“FARA,” “VARNING,”** och **“FÖRSIKTIGHET”** innan detta verktyg används. Underlåtenhet att läsa alla instruktioner som listas nedan kan resultera i elektrisk stöt, brand och/eller allvarlig personskada.

SYMBOLBETYDELSE

Denna sida framställer och beskriver säkerhetssymboler som kan visas på denna produkt. Läs igenom, förstå och följ alla instruktioner på maskinen innan försök görs att montera och hantera den.

SE

SÄKERHETSSYMBOLER



Säkerhetslarm



Använd kraftiga handskar tillverkade av hållbart material



Använd halkfria skyddsskor



Var medveten om rekyl - Kontakt med svärdets spets mot något föremål skall undvikas



Rekyl av svärdets spets - Kontakt med spetsen kan göra att svärdet plötsligt rör sig uppåt och bakåt vilket kan orsaka allvarliga skador.



Denna produkt uppfyller tillämplig lagstiftning i Storbritannien.



Garanterad ljudeffektivitet.



Denna produkt är i enlighet med gällande EG-direktiv.

IPX5

Skydd mot vattenstrålar



För att minska risker för skador måste användare läsa igenom och förstå bruksanvisningen innan denna produkt används.



Använd åtsittande kläder. Använd inte halsduk, slips eller smycken.



Använd åtsittande skyddsglasögon, öronpluggar eller öronskydd och skyddshjälm med hakrem



Tvåhandsfattning - Använd alltid två händer när sågen hanteras.



Information om sågsvärdet.



Förbrukade elektriska produkter får inte kastas i hushållssoporna. Lämna in dem till en auktoriserad återvinningsstation.

V

Volt



Likström

SPECIFIKATIONER

Spänning	56 V	
Rekommenderad driftstemperatur:	-15°C-40°C	
Rekommenderad förvaringstemperatur:	-40°C-70°C	
Optimal laddningstemperatur	5°C-40°C	
Såglängd	300 mm	
Kedjehastighet	20 m/s	
Kedjedelning	3/8 tum' (9,5 mm)	
Kedjemått	1,1 mm	
Sågkedjetyp	AC1200 (Rekommenderas) AC1400/AC1401 (Kompatibel) AC1600/AC1601 (Kompatibel)	
Svärdtyp	AG1200 (Rekommenderas) AG1400/AG1401 (Kompatibel) AG1600/AG1601 (Kompatibel)	
Kedjedelning	3/8 tum' (9,5 mm)	
Kedjustering	1,1 mm	
Specifiserat antal tändar i drivkedjehjul	6	
Tankkapacitet kedjeolja	250ml	
Vikt (utan batteripaket, kedjeöverdrag)	3,5 kg	
Uppmätt ljudeffektnivå L_{WA}	98,8 dB(A) K=3 dB(A)	
Ljudtrycksnivå vid arbetspositionen L_{PA}	88,1 dB(A) K=3 dB(A)	
Garanterad ljudeffektsnivå L_{WA} (enligt 2000/14/EG)	102 dB(A)	
Vibration a_h	Främre handtag	1,73 m/s ² K= 1,5 m/s
	Huvudhandtag	2,21 m/s ² K= 1,5 m/s

- Det deklarerade totala vibrationsvärdet har uppmätts i enlighet med en standardtestmetod och kan användas för att jämföra ett verktyg med ett annat.

- Det deklarerade totala vibrationsvärdet kan också användas i en preliminär utvärdering av exponeringen.

NOTERA: Vibrationsutstrålningen under verklig användning av elverktyg kan skilja sig från det deklarerade värdet i vilken verktyget används. För att skydda användaren skall skyddshandskar och hörselskydd användas under faktiska användningsförhållandet.

BESKRIVNING

LÄR KÄNNA DIN KEDJESÅG (Bild A1)

1. Sågkedja
2. Rekylbromspaddel
3. Låstunga
4. Huvudhandtag
5. Avtryckare för variabel hastighet
6. Snörhål
7. Batteriindikator
8. Indikator låg oljenivå
9. Främre handtag
10. Lock oljetank
11. Svärd
12. Smörjhål
13. Kedjekrans
14. Spänningsskruv
15. PÅ-AV säkerhetsbrytare
16. Styrbult
17. Svärdsmutter
18. Glidande lockenhet
19. Lock justerskruv oljeflöde
20. Damm borttagningshölje
21. Utmatningsmekanism
22. Elektriska kontakter
23. Låsknapp för batteriet
24. Bälteskrok
25. Bältesspänne
26. Rem
27. Ledning
28. Ring 1
29. Sågkrok
30. Elkontakt
31. Ring 2
32. Kedjeöverdrag
33. Kombinyckel

SE

PACKLISTA (BILD A1)

MONTERING


MONTERING/DEMONTERING AV SVÄRDET OCH KEDJAN

⚠ VARNING: Koppla alltid ifrån elkontakten och använd skyddshandskar innan montering eller underhålls görs på produkten.

⚠ VARNING: Läs igenom alla säkerhetsvarningar, instruktioner, illustrationer och specifikationer som medföljer detta elverktyg. Underlåtenhet att följa alla instruktioner som listas nedan kan resultera i elektriska stötar, brand och/eller allvarliga personskador.

⚠ VARNING: Se till att beställa svärdet och sågkedjan som listas i denna manual. Om det inte följs kan det leda till allvarliga skador.

Spara alla varningar och instruktioner för framtida referens.

- Se till att rekylbromspaddeln är inställd på position .
- Skruva loss **svärdsmuttern (A-17)** moturs för att ta bort **sidohöljet (A-18)**.
- Lägg sågkedjan i en loop på en plan yta och räta ut alla knutar. (Bild B1)
- Placera **drivlänkarna (B1)** i **spåret (B-2)** på svärdet och gör en loop med kedjan på baksidan av svärdet. (Bild B2)
- Håll kedjan i positionen på svärdet och placera loopen runt **kedjekuggen (B-3)** på drivenheten och kontrollera följande poster (Bild B3).
 - Kedjedrivlänkar är placerade i tänderna på **kedjekuggen (B-3)**.
 - Spänningsskruv (B-4)** och **svärdsbulten (B-5)** placeras i öppningen på svärdet. **Spänningsstift (B-6)** är aktiverad i hålet på svärdet.

NOTERA: Se till att riktningen på pilarna på sågkedjans tänder alltid är riktade framåt (Bild B3).

- Se sektionen **”SPÄNNA SÅGKEJDAN”** för att garantera att den är korrekt monterad utan att den kärvar.
- Rikta in två **styrstänger (B-7)** på sidohöljet mot respektive **hål (B-8)** i sågen, sätt sedan fast sidohöljet. (bild B4)
- Dra åt svärdsmuttern.

B-1	Drivlänkar	B-5	Styrbult
-----	------------	-----	----------

B-2	Skåra	B-6	Spänningsstift
B-3	Kedjedrev	B-7	Styrstänger
B-4	Spänningsskruv	B-8	Hål

NOTERA: Om svärdet behöver bytas, demontera sidohöljet och sätt tillbaka det på det nya svärdet såsom bild 5 visar.

DRIFT

Innan varje användning, kontrollera hela produkten om där finns skador, saknade eller lösa delar såsom skruvar, muttrar, bultar etc. Dra åt alla fästelement och huvudskruvar och använd inte produkten innan alla saknade eller skadade delar är utbytta.

⚠ VARNING: Vissa nationella bestämmelser kan begränsa användningen av maskinen.

⚠ VARNING: När du är trött eller påverkad av alkohol eller andra droger, använd inte maskinen.

NOTERA: Om maskinen är utom kontroll, såsom vid rekyler, stäng omedelbart av strömmen.

ANVÄNDNING

Produkten kan användas i regn.

- Denna kedjesåg är designad särskilt för arbeten och skötsel i träd.



Denna såg skall endast användas av personer som är särskilt utbildade för arbeten med trädskötsel.

NOTERA: Det rekommenderas att första-gångs användare minst skall praktisera sågning av stockar på en sågbock eller vagg.

SPÄNNING AV SÅGKEDJAN

⚠ VARNING: Vidrör aldrig eller justera kedjan medan motorn körs. Sågkedjan är mycket vass; använd alltid skyddshandskar vid underhåll av kedjan.

Sågkedjan expanderar eller dras ihop under normalt sågarbete. Det resulterar i att kedjespänningen ändras. Kontrollera kedjespänningen regelbundet under arbetet och justera vid behov.

- Stäng av kedjesågen, aktivera kedjebromsen och koppla ifrån strömkontakten.
- Lossa svärdsmuttern så att svärdet kan röras fritt för justering.
- Håll svärdsnosen uppåt och justera spänningsskraven till följande punkter gäller:

SE

- Kedjans svikt i mitten av svärdet är cirka: 1 - 2 mm (bild D).
- Avaktivera kedjebromsen, se till att kedjan kan dras längs med svärdet med två fingrar.

NOTERA: Utför detta steg försiktigt för att undvika personskador. Då denna likströmsmotor innehåller magnetiskt material kommer du, jämfört med konventionella bensindrivna kedjesågar, att känna ett visst motstånd om motorsågen körs med två fingrar. Det går inte lika smidigt som det gör med bensindrivna kedjesågar.

- Håll svärdsnosen riktad uppåt och dra åt svärdsmuttern.

SE

NOTERA: Om kedjans svikt i mitten av svärdet inte är 1-2 mm, justera kedjespänningen.

FYLLA PÅ OLJEBEHÅLLAREN

- Koppla ifrån batteriet från kedjesågen.
- Placera kedjesågen på sidan på en fast och plan yta så att oljebehållarens lock är riktad uppåt. Öppna oljebehållarens lock. Om det sitter alltför hårt använd spårhuvudet på kombinyckeln (medföljer) för att lossa den (bild E)
- Häll försiktigt i olja i oljebehållaren. Fyllt till underkanten på påfyllnadshalsen. Torka bort all överflödiga olja och stäng locket.

NOTERA:

- Kedjesågen är inte fylld med olja vid köpet. Det är väsentligt att fylla tanken med olja före användning. Kedjan smörjs automatiskt med kedjeolja under arbetet.
- Det är specifikt utvecklat för att ge en låg friktion och snabbare kapning.
- Använd aldrig olja eller annat smörjmedel som inte är särskilt avsett för användning på svärdet och kedjan. Detta kan leda till att olja sätter igen system vilket kan göra att svärdet och kedjan slit i förtid.

JUSTERA OLJEFLÖDET (bild F)

- Denna såg är utrustad med en **Justerskruv för oljefflödet (F-1)** placerad på undersidan av verktyget, den används för att justera oljefflödet för smörjning av kedjan, svärdet och sågsystemet. Öka eller minska oljefflödet i pilarnas riktning såsom markerats på höljet.

LED-INDIKATORER PÅ KEDJESÅGEN

Kedjesågen är utrustad med två LED-indikatorer för att indikera oljestatusen och laddningsnivån hos batteripaketet.

LED-indikatorer		Innebörd	Åtgärd
Indikator låg oljenivå (A-8)	Blinkar rött	Oljebrist	Fyll på oljebehållaren
	Av	Fyll på olja	/
Batteri-indikator (A-7)	Lyser grönt	Batteripaketet har ström	/
	Blinkar grönt	Batteripaketet är nästan helt slut och måste laddas omedelbart.	Ladda batteriet

FÄSTA BATTERIHÖLSTRET PÅ KLÄTTERSLEN

Denna kedjesåg levereras med ett batterihölster som används för att bära batteripaketet och kan fästas på klätterselen (medföljer inte).

NOTERA: Sätt fast batterihölstret på klätterselen innan klätterselen bärs.

⚠ VARNING: Klätterselen med snabbblåsfunktion behöver vara förberedd för att förhindra att kritiskt läge uppstår.

- Sök efter en lämplig punkt att hänga batterihölstret på klätterselen, häng batterihölstret på klätterselen genom att använda **bälteskroken (G-1)**. (Bild G1)
- Linda bältet runt klätterselen för att fästa batterihölstret på plats (bild G2 och G3).
- Fäst två **ringar (G-2)** från säkerhetsledningen tills klätterselen med två karbinhakar (medföljer inte), såsom visas i bild G4.

G-1	Bälteskrok	G-2	Ringar
-----	------------	-----	--------

NOTERA:

- Vid klättring i trädet, fäst ring 1 och 2 från säkerhetsledningen till klätterselen med karbinhakar (medföljer inte) (bild G5)
- När verktyget används, lossa ring 2 från klätterselen, håll sågen med två händer för att genomföra sågningen (bild G6).

FÄSTA SÅGEN I BATTERIHÖLSTRET

Fäst **sågkroken (H-2)** på säkerhetsledningen i **snörhålet (H-1)**. (Bild H)

H-1	snörhål	H-2	sågkrok
-----	---------	-----	---------

INSTALLERA/TA BORT BATTERIPAKETET

NOTERA: Ladda batteripaketet fullt innan första användning.

Installation (bild I1)


Rikta in listerna på batteripaketet med monteringsöppningarna, låt sedan batteripaketet glida in i batterihölstret tills det snäpper på plats.

Borttagning (bild I2)

Tryck på batteriets låsknapp med tummen för att ta bort batteripaketet.

STARTA/STOPPA KEDJESÅGEN

Starta


- Rikta in "▲" markeringen på **elkontakten (J-2)** mot kedjesågens **elektriska uttag (J-1)**, sätt sedan i kontakten i kedjesågen tills den GRÖNA packningen på kontakten försvinner HELT in i uttaget (bild J1).
- Skjut "PÅ/AV" omkopplaren till positionen "PÅ" (bild J2).
- Dra kedjans rekylbromspaddel mot huvudhandtaget till position .
- Flytta **låstungen (J-3)** framåt och tryck sedan in det **variabla gasreglaget (J-4)**. Ju med du drar upp det variabla gasreglaget desto högre är sågkedjans rotationshastighet (bild J3).

J-1	Elektriskt uttag	J-3	Låstunga
J-2	Elkontakt	J-4	Variabelt gasreglage

Stoppa

- Släpp upp variabla gasreglaget för att stoppa kedjesågen.

NOTERA: Kedjesågen kommer fortsätta att rotera en kort stund efter att variabla gasreglaget släppts. Undvik kontakt när variabla gasreglaget släppts och när kedjesågen läggs ned.

- Skjut rekylbromspaddeln framåt till bromsposition .
- Vrid "PÅ/AV" omkopplaren till positionen "OFF"

⚠ VARNING: Dra alltid ur elkontakten från kedjesågen vid arbetsavbrott och efter avslutat arbete.

FÖRBEREDELSE FÖR SÅGNING

Korrekt grepp på handtagen (bild K)

- Använd halkfria handskar för maximalt grepp och skydd.
- Greppa alltid främre handtaget med vänster hand och huvudhandtaget med den högra.
- Fingrarna skall omsluta handtaget med tummen lindad

under främre handtaget.

⚠ VARNING: Använd aldrig ett vänsterhandsgrepp (korsade händer) eller någon ställning som placerar kroppen eller armen över kedjelinjen.

⚠ VARNING: Hantera inte avtryckaren med vänster hand medan högra handen håller i främre handtaget. Låt aldrig någon del av kroppen befinna sig i kedjelinjen när kedjesågen används (bild L).

KONTROLLERA KEDJESMÖRJNINGEN (BILD M)

NOTERA: Se till att oljebehållaren på kedjesågen har fyllts med korrekt volym kedjeolja.

- Håll svärdet ovanför en ljust färgad yta.
- Slå på sågen. Du kommer att se en klar linje med olja på den ljust färgade ytan efter en minut, om kedjesmörjningen fungerar korrekt.
- Om kedjeoljan fortfarande inte är synlig på det ljusst färgade underlaget, se sektionen "JUSTERA OLJEFLÖDET" för att justera det

OPERATING IN THE TREE

⚠ VARNING: When working or climbing, it is recommend to use the additional support, such as foot stirrup, adjustable lanyard to prevent a swing or a cutting accident.

Innan användning, kontrollera följande punkter:

- Kontrollera om det finns slitagemärken på **kedjekransen (N-1)**, om slitagemärkena är djupare än 0,5 mm: kontakta EGO serviceåterförsäljare för att byta kedjekransen.
- Kontrollera också bromssystemen, om slitagemärkena på **bromsbeläggen (N-2)** är ojämna, kontakta EGO serviceåterförsäljare då bromsbeläggen måste bytas. (Bild N).

N-1	Kedjedrev	N-2	Bromsbelägg
-----	-----------	-----	-------------

- Kontrollera svärdet, se sektionen: **UNDERHÅLL AV SVÄRDET**
- Kontrollera sågkedjan, se sektionen: **UNDERHÅLLA KEDJAN**
- Testa kedjebromsen, se sektionen: **REKYLÅKERHETSENHETER PÅ DENNA**

KEDJESÅG

- Kontrollera kontrollerna, se sektionen: **STARTA/STOPPA KEDJESÅGEN**
- Kontrollera kedjesmörjningen, se sektion: **KONTROLLERA KEDJESMÖRJNINGEN**

SE

UNDERHÅLL

RENGÖRING

- Efter varje användning, ta bort skräp från kedjan och svärdet med en mjuk borste. Torka av kedjesågens yta med en ren trasa fuktad med en mild tvällösning.
- För djupare rengöring ta bort sidohöljet, ta ned svärdet och sågkedjan och använd sedan en mjuk borste för att grundligt ta bort skräp från svärdet, sågkedjan och drivkransen på kedjesågens motorenhet.
- Rensa alltid bort träspån, sågspån och smuts från svärdets spår när sågkedjan byts.

SE

TA BORT DAMM

1. Koppla ifrån elkontakten, låt kedjesågen svalna och dra sedan åt oljelocket.
2. Aktivera sågbromsen
3. Använd kombinyckeln (medföljer) för att lossa skruven till **damborttagningshöljet (0-1)** för att öppna det (bild 01).
4. Rensa bort sågdamm och spånen som samlats i kylflänsen med tryckluft, blås från motsatta sidan av **luftintaget (0-2)**. (bild 02).

0-1	Damborttagningshölje	0-2	Luftintag
-----	----------------------	-----	-----------

UNDERHÅLL AV SVÄRDET

När svärdet visar tecken på slitage, ska du demontera det från kedjesågens drivenhet och vända det för återmontering (bild P1), i vilket fall den kommer att fördela slitage för maximal livslängd.

Svärdet skall rengöras (inklusive **kedjeskenorna (P-1)** och **smörjhålet (P-2)**) dagligen efter användning och kontrolleras om där finns slitage eller skador (bild P2). Skäggning och gradning hos sågsvärdet är en normal process vid svärdsslitage. Sådana fel skall jämnas till med en fil så snart som de uppstår. Ett svärd med något av följande fel skall bytas ut.

Slitage på insidan av svärdsspåren som låter kedjan glida över åt sidan.

- Böjt sågsvärd.
- Spräckta eller trasiga spår.
- Breddade spår.

Svärdet har en drivenhet i spetsen. Kuggen måste smörjas veckovis med fettspruta för att öka svärdets livslängd (bild P3 och P4). Vrid på **noskransen (P-3)** medan **genomskinligt gul, genomskinligt röd eller genomskinligt fett** pumpas in i **smörjhålet (P-4)** tills hela kransen har nytt fett. Tryck inte in någon smuts i hålet.

P-1	Svärdskenor	P-3	Kedjekrans
P-2	Smörjhål	P-4	Smörjhål

UNDERHÅLLA KEDJAN

Använd endast lågrekylskedjor på denna såg. Den snabba sågkedjan kommer att ge reducerade rekylar när den underhålls korrekt.

En korrekt slipad sågkedja sågar lätt genom trä, även med mycket lite tryck. Använd aldrig en slö eller skadad sågkedja. En slö sågkedjekutter leder till ökad fysisk ansträngning, ökad vibrationsbelastning, osäkert kapningsresultat och ökat slitage.

För smidig och snabb kapning behöver kedjan underhållas korrekt. Kedjan kräver slipning när träspånen är små och puderliknande, kedjan måste forceras genom trä under sågningen eller kedjan kapa åt ena sidan. Under underhåll av kedjan, tänk på följande:

- Felaktig slipvinkel på sidoplattan kan öka risken för allvarig rekyl.
- Djupmätare. För låg ökar risken för potentiell rekyl. Inte tillräckligt låg minskar sågmöjligheten.
- Om sågtänderna träffat ett hårt föremål, såsom spikar eller stenar eller har skavt mot lera eller sand på träet, lämna kedjan för slipning hos en kvalificerad servicetekniker.

NOTERA: det rekommenderas att låta slipning och underhåll av **sågkedjan** utföras av auktoriserade servicecenter.

TRANSPORT OCH FÖRVARING

- Förvara inte eller transportera kedjesågen när den körs. Ta alltid bort elkontakten innan förvaring och transport.
- Placera alltid svärdsskyddet på svärdet och kedjan innan förvaring eller transport av kedjesågen. Var försiktig för att undvika de vassa tänderna på kedjan.
- Rengör kedjesågen noga innan förvaring. Förvara kedjesågen inomhus på en torr plats som är låst och/eller oåtkomlig för barn.
- Håll den undan från korrosiva medel såsom trädgårdskemikalier och avsningssalt.

Skydda miljön



WEEE (Waste Electrical and Electronic Equipment) Kasta inte elektrisk utrustning, använt batteri och laddare i hushållssoporna! Ta denna produkt till en auktoriserad återvinnare och gör den tillgänglig för separat insamling. Elektriska verktyg måste returneras till en miljöanpassad återvinningsanläggning.

FELSÖKNING

PROBLEM	ORSAK	LÖSNING
Motorn startar inte.	<ul style="list-style-type: none"> ■ Elkontakten till batterihölstret är inte fastsatt på kedjesågen. ■ Ingen elektrisk kontakt mellan batterihölstret och batteriet. ■ Låstungen är inte uppvikt. ■ Omkopplaren "ON-OFF" är i positionen "OFF". ■ Kedjebromsen är aktiverad. 	<ul style="list-style-type: none"> ■ Sätt i elkontakten till batterihölstret i kedjesågen. ■ Lossa batteriet, kontrollera kontakterna och sätt sedan tillbaka batteripaketet. ■ Vik upp låstungen innan start. ■ Vrid "ON/OFF" omkopplaren till positionen "ON" ■ Dra kedjans rekylbromspaddel bakåt mot övre handtaget tills driftläget nås.
Kedjesågen stannar under arbetet.	<ul style="list-style-type: none"> ■ Batteripaketet eller kedjesågen är för het. ■ Kedjesågen är överbelastad. ■ Alltför många träbitar blockerar ventilationskanalen. ■ Batteripaketet är helt tomt. 	<ul style="list-style-type: none"> ■ Låt batteripaketet eller kedjesågen svalna ■ Minska belastningen. ■ Ta bort dammet, se delen "TA BORT DAMM". ■ Ladda batteripaketet
Kedjebromsen aktiveras inte.	<ul style="list-style-type: none"> ■ Skräp förhindrar fullständig rörelse hos kedjans rekylbromshandtag ■ Möjligt funktionsfel hos kedjebromsen 	<ul style="list-style-type: none"> ■ Rensa bort skräp från den externa kedjebromsmekanismen ■ Kontakta EGO kundtjänst för hjälp.
Ingen oljesmörjning under sågningen.	<ul style="list-style-type: none"> ■ Kedjeoljetanken är tom. ■ Oljeutloppet till kedjesvärdet är blockerat. ■ Stelnad olja vid låg temperatur 	<ul style="list-style-type: none"> ■ Fylla på svärd och kedja med smörjmedel. ■ Rensa bort damm i oljeutloppet. ■ Byt till lämplig smörjolja (som är lämplig för låga temperaturer)
Indikatorn för låg oljenivå blinkar rött eller visar onormalt ljus när oljebehållaren är fylld med olja.	<ul style="list-style-type: none"> ■ Vid användning av maskinen i vissa vinklar kan inte oljan i oljebehållaren komma in i oljeröret. ■ Kategorin och färgen på oljan rekommenderas inte. ■ Indikatorn för låg oljenivå blinkar fortfarande röd. 	<ul style="list-style-type: none"> ■ Placera kedjesågen plant och försök igen. ■ Använd rekommenderad genomskinlig gul, genomskinlig röd eller genomskinlig olja ■ Kontakta EGO kundtjänst för reparation
Indikatorn för låg oljenivå fungerar inte när oljetanken har lite olja.	<ul style="list-style-type: none"> ■ Kategorin och färgen på oljan kan inte identifieras. ■ En liten mängd olja finns kvar i oljebehållaren eller oljeröret. ■ Indikatorn för låg oljenivå fungerar fortfarande av ovanstående anledningar. 	<ul style="list-style-type: none"> ■ Använd rekommenderad genomskinlig gul, genomskinlig röd eller genomskinlig olja ■ Använd kedjesågen en stund och observera sedan indikatorn för låg oljenivå igen ■ Kontakta EGO kundtjänst för hjälp.

SE

GARANTI

EGO GARANTIPOLICY

Besök webbsidan egopowerplus.eu för fullständiga villkor för EGO garantipolicy.

LUE KAIKKI OHJEET!



LUE KÄYTTÖOPAS

TURVALLISUUSSYMBOLIT

Turvallisuussymbolien tarkoituksena on kiinnittää huomiota mahdollisiin vaaroihin. Turvallisuussymbolit ja niiden selitykset on syytä lukea tarkkaan ja ymmärtää perusteellisesti. Varoitussymbolit eivät yksin poista vaaran mahdollisuutta. Niiden antamat ohjeet ja varoitukset eivät korvaa kunnollisia onnettomuuksien ehkäisytoimenpiteitä.

VAROITUS: Lue ja ymmärrä tämän käyttöoppaan kaikki turvallisuusohjeet, mukaan lukien kaikki turvallisuusvaroitussymbolit, kuten "VAARA", "VAROITUS" ja "HUOMIO" ennen laitteen käyttämistä. Alla olevien ohjeiden noudattamatta jättäminen saattaa aiheuttaa sähköiskun, tulipalon ja/tai vakavan henkilövahingon.

FI

SYMBOLIEN MERKITYKSET

Tällä sivulla kuvataan ja esitellään turvallisuussymbolit, jotka saattavat esiintyä tässä tuotteessa. Lue, ymmärrä ja noudata kaikkia laitteen ohjeita ennen kuin yrität koota sen tai käyttää sitä.

TURVALLISUUSSYMBOLIT



Turvallisuushälytys



Käytä kestävästä materiaalista valmistettuja paksuja työkaluneiteitä



Käytä luistamattomia turvajalkineita



Varo takapotkua – terälaipan kärjen koskemista toiseen esineeseen tulee välttää.



Terälaipan kärjen takapotku – kärjen osuminen toiseen esineeseen voi aiheuttaa terälaipan äkillisen ponnahtamisen ylös- ja taaksepäin, mistä voi seurata vakava vahinko



Tämä tuote on Yhdistyneen kuningaskunnan lainsäädännön mukainen.



Taattu äänitehotaso.



Tämä tuote vastaa sovellettavia EU-direktiivejä.

IPX5 Suojaus vesisuihkuja vastaan



Käyttäjän on luettava ja ymmärrettävä käyttöopas ennen tämän laitteen käyttöä loukkaantumista varten vähentämiseksi.



Käytä hyvin istuvaa vaatetusta. Älä käytä huiveja, solmioita tai koruja



Käytä hyvin istuvia vaatteita, turvalaseja, korvatulppia tai kuulokkeita ja kypärää, jossa on leukahihnna.



Kahden käden ote – Käytä aina kahta kättä, kun käytät moottorisahaa.



Terälaipan tiedot.



Vanhoja sähkölaitteita ei saa hävittää kotitalousjätteen mukana. Vie laite valtuutettuun kierrätyslaitokseen.

V

Voltti



Tasavirta

TEKNISET TIEDOT

Jännite	56 V	
Suosittelun käyttölämpötila:	-15–40°C	
Suosittelun säilytyslämpötila:	-40–70°C	
Ihanteellinen latauslämpötila	5–40°C	
Leikkuupituus	300 mm	
Ketjun nopeus	20 m/s	
Ketjujako	3/8" (9,5 mm)	
Ketjumittari	1,1 mm	
Teräketjun tyyppi	AC1200 (suositeltu) AC1400/AC1401 (yhteensopiva) AC1600/AC1601 (yhteensopiva)	
Terälevyn tyyppi	AG1200 (suositeltu) AG1400/AG1401 (yhteensopiva) AG1600/AG1601 (yhteensopiva)	
Ketjujako	3/8" (9,5 mm)	
Ketjun mittari	1,1 mm	
Ketjupyörän hampaiden määritetty määrä	6	
Ketjuöljysäiliön tilavuus	250 ml	
Paino (ilman akkua tai sahan suojusta)	3,5 kg	
Mitattu äänitehotaso L_{WA}	98,8 dB (A) K=3 dB (A)	
Äänenpaineen taso käyttäjän kohdalla L_{PA}	88,1 dB (A) K=3 dB (A)	
Taattu äänen tehotaso L_{WA} (mitattu 2000/14/EY mukaisesti)	102 dB (A)	
Tärinä a_n	Etukahva	1,73 m/s ² K= 1,5 m/s
	Pääkahva	2,21 m/s ² K= 1,5 m/s

- Ilmoitettu tärinän kokonaispäästöarvo on mitattu standarditestausten mukaisesti, ja sen avulla voidaan vertailla työkaluja keskenään;
- Ilmoitettua tärinän kokonaispäästöarvoa voidaan

käyttää myös altistumisen alustavaan arviointiin.

HUOMAA: Työkalun käytön aikana mitattu todellinen tärinäpäästöarvo voi poiketa ilmoitetusta kokonaispäästöarvosta työkalun käytöstä johtuen; käyttäjän suojaamiseksi tulee käyttää käsiineitä ja kuulosuojaimia varsinaisissa käyttöolosuhteissa.

KUVAUS

TUNNE SAHASI (kuva A1)

1. Teräketju
2. Takapotkun jarrukahva
3. Lukituskieli
4. Pääkahva
5. Portaaton nopeuden liipaisin
6. Pujotusreikä
7. Akun merkkivalo
8. Alhaisen öljytason merkkivalo
9. Etukahva
10. Öljytankin korkki
11. Laippa
12. Voiteluaukko
13. Ketjupyörä
14. Kiristysruuvi
15. PÄÄLLE-POIS-turvakytkin
16. Ohjauspultti
17. Lattamutteri
18. Sivusuojuksen kokoonpano
19. Öljynvirtauksen säätöruuvien suojuus
20. Pölysuojus
21. Poistomekanismi
22. Sähköliitännät
23. Akun vapautuspainike
24. Vyön koukku
25. Solki
26. Hihna
27. Päällystetty sähköjohto
28. Rengas 1
29. Sahan koukku
30. Virtapistoke
31. Rengas 2
32. Teräsuoja
33. Yhdistelmäavain

FI

PAKKAUSLUETTELO (KUVA A1)

KOKOAMINEN


TERÄLEVYN JA KETJUN KOKOAMINEN/PURKAMINEN

VAROITUS: Irrota aina virtapistoke ja käytä suojakäsineitä, ennen kuin asennat tai huollat tuotetta.

VAROITUS: Lue kaikki tämän sähkötyökalun mukana tulleet turvallisuusvaroitukset, ohjeet, piirustukset ja tekniset tiedot. Jos kaikkia alla olevia ohjeita ei noudateta, seurauksena saattaa olla sähköisku, tulipalo ja/ tai vakava loukkaantuminen.

VAROITUS: Varmista, että tilaat tässä käyttöoppaassa määritellyn terälevyn ja sahaketjun. Tämän noudattamatta jättäminen voi aiheuttaa vakavia henkilövahinkoja.

Säilytä kaikki varoitukset ja ohjeet myöhempää käyttöä varten.

1. Varmista, että takapotkun jarrulevy on asetettu asentoon .
2. Kierrä laipan mutteria (A-17) vastapäivään irrottaaksesi sivusuojuskokoonpanon (A-18).
3. Aseta teräketju tasaiselle alustalle ja oikaise kaikki kiertymät. (Kuva B1)
4. Aseta ketjun vetolenkit (B-1) terälevyn uraan (B-2) ja tee ketjusta silmukka terälevyn takaosaan. (Kuva B-2)
5. Pidä ketjua paikallaan terälevyllä ja aseta silmukka akkupäähän ketjupyörän (B-3) ympärille ja tarkista seuraavat kohdat (kuva B3):.
 - a) Ketjun vetolenkit sijaitsevat ketjupyörän hampaissa (B-3).
 - b) Kiristysruuvi (B-4) ja ohjauspultti (B-5) sijaitsevat terälevyn urassa. Kiristystappi (B-6) on kiinnitetty terälevyn reikään.

HUOMAA: Varmista, että teräketjun hampaiden nuolet osoittavat aina eteenpäin (kuva B3).

6. Katso osa "TERÄKETJUN KIRISTÄMINEN" varmistaaksesi, että ketju on kunnolla kiinnitetty ja pyörii ongelmitta.
7. Kohdistä sivusuojuskokoonpanon ohjaustangot (B-7) vastaaviin reikiin (B-8) sahaassa, kiinnitä sitten sivusuojuskokoonpano. (Kuva B4)
8. Kiristä lattamutteri.

B-1	Vetolenkit	B-5	Ohjauspultti
B-2	Ura	B-6	Kiristystappi
B-3	Ketjupyörä	B-7	Ohjaustangot
B-4	Kiristysruuvi	B-8	Reiät

HUOMAA: Jos terälevy täytyy vaihtaa, irrota sivusuojuskokoonpano ja asenna se uuteen terälevyyn, kuten näytetään kuvassa C.

KÄYTTÖ

78

Tarkasta koko tuote ennen jokaista käyttökertaa vaurioituneiden, puuttuvien tai löystyneiden osien, kuten ruuvien, muttereiden, pulttien jne., varalta. Kiristä kaikki kiinnikkeet ja korkit tiukasti, äläkä käytä tuotetta, ennen kuin kaikki puuttuvat tai vaurioituneet osat on vaihdettu.

VAROITUS: Kansalliset määräykset voivat rajoittaa koneen käyttöä.

VAROITUS: Älä käytä konetta väsyneenä, sairaana tai alkoholin tai huumeiden vaikutuksen alaisena.

HUOMAUTUS: Jos kone on hallitsemattomassa tilassa, kuten takapotkutillanne, katkaise virta välittömästi.

KÄYTTÄMINEN

Tuotetta voi käyttää sateessa.

- Tämä moottorisaha on suunniteltu erityisesti puiden sahaamiseen ja hoitoon.



Tätä sahaa saavat käyttää vain henkilöt, jotka on koulutettu puiden hoitoon.

HUOMAA: Suosittelemme, että ensimmäistä kertaa käyttävät henkilöt harjoittelevat vähintään polkkujen sahaamista sahapukin tai telineen päällä.

TERÄKETJUN KIRISTÄMINEN

VAROITUS: Älä koskaan koske tai säädä ketjua, kun moottori on käynnissä. Teräketju on erittäin terävä; käytä aina käsineitä, kun käsittelet teräketjua.

Teräketju laajenee tai supistuu normaalissa sahakäytössä. Ketjun kireys muuttuu vastaavasti. Tarkista ketjun kireys säännöllisesti käytön aikana ja säädä tarvittaessa.

1. Kytke moottorisaha pois päältä, laita ketjujarru päälle ja irrota virtapistoke.
2. Löysää lattamutteri siten, että terälevy pääsee liikkumaan vapaasti tulevia säätöjä varten.
3. Pidä terälevy ylöspäin ja säädä kiristysruuvia, kunnes seuraavat säädöt ovat oikein:
 - a) Ketjun riippuma laipan keskikohdassa on noin: 1–2 mm (kuva D).
 - b) Vapauta ketjun jarru, varmista, että ketjua voidaan vetää terälevyä pitkin kahdella sormella.

HUOMAA: Suorita tämä vaihe varovasti henkilövahinkojen välttämiseksi. Koska tämä tasavirtamoottori sisältää magneettista materiaalia tunnet tietyn määrän vastusta pyörittäessäsi ketjua kahdella sormella verrattuna tavanomaiseen bensiinimoottorisahaan. Se ei pyöri yhtä sujuvasti kuin bensiinimoottorisahalla.

4. Pidä laipan kärkeä ylöspäin ja kiristä laipan mutteri.

HUOMAA: Jos terän riippuma laipan keskikohdassa ei ole 1–2 mm, säädä ketjun kireys uudestaan.

ÖLJYSÄILIÖN TÄYTTÄMINEN

1. Irrota akku moottorisahasta.
2. Aseta moottorisaha kyljelleen kiinteälle, tasaiselle pinnalle siten, että öljysäiliön korkki on ylöspäin. Avaa öljysäiliön korkki. Jos öljysäiliön korkki on liian tiukka, käytä (mukana tulevaa) hylsyavainta sen löysäämiseen (kuva E)
3. Kaada öljyä varovasti öljysäiliöön. Täytä täyttökaulan pohjaan saakka. Pyyhi ylimääräiset öljyt pois ja sulje korkki.

HUOMAUTUS:

- Moottorisahassa ei ole ostohetkellä öljyä. On tärkeää täyttää säiliö öljyllä ennen käyttöä. Ketjuja voidellaan ketjuöljyllä automaattisesti käytön aikana.
- Se on suunniteltu erityisesti vähentämään kitkaa ja nopeuttamaan sahausta.
- Älä käytä öljyä tai voiteluaineita, jotka ei ole suunniteltu käytettäväksi terälevyn ja ketjun kanssa. Tämä voi johtaa tukkeutuneeseen öljyjärjestelmään, mikä voi aiheuttaa terälevyn ja ketjun ennenaikaisen kulumisen.

ÖLJYNVIRTAUKSEN SÄÄTÄMINEN (kuva F)

- Saha on varustettu **öljynvirtauksen säätöruuvilla (F-1)**, joka sijaitsee työkalun pohjassa. Sitä käytetään öljynvirtauksen säätämiseen ketjun, terälevyn ja leikkuujärjestelmän voitelua varten. Lisää tai vähennä öljynvirtausta koteloon merkittyjen nuolten mukaisesti.

MOOTTORISAHAN LED-MERKKIVALO

Moottorisahassa on 2 LED-merkkivaloa, jotka näyttävät öljyn tason ja akun lataustason.

LED-merkkivalo	Merkitys	Toimenpide	
Alhaisen öljytason merkkivalo (A-8)	Vilkkuu punaisena	Liian vähän öljyä	Täytä öljysäiliö
	Ei pala	Öljyä riittävästi	/
Akun merkkivalo (A-7)	Palaa vihreänä	Akussa on virtaa	/
	Vilkkuu vihreänä	Akku on lähes tyhjä ja se on ladattava välittömästi.	Lataa akku.

AKUN KOTELON KIINNITTÄMINEN KIIPEILYVALJAJISIIN

Tämän moottorisahan mukana tulee akun kotelo, jota käytetään akun kantamiseen. Se voidaan kiinnittää kiipeilyvaljajiin (ei mukana).

HUOMAUTUS: Kiinnitä akun kotelo kunnolla kiinnitysvaljajiin, ennen kuin puut kiipeilyvaljaat.

VAROITUS: kiipeilyvaljaat, joissa on pikavapautustoiminto, on valmistettava hätätilanteiden välttämiseksi.

1. Etsi sopiva kohta akun koteloin ripustamiseksi kiipeilyvaljajiin. Ripusta akun kotelo kiipeilyvaljajiin **vyön koukulla (G-1)**. (Kuva G1)
2. Kiedo vyö kiipeilyvaljaiden ympärille, jotta akun kotelo kiinnittyy paikalleen (kuvat G2 ja G3).
3. Kiinnitä päällystetyn sähköjohdon kaksi **rengasta (G-2)** kiinnitysvaljajiin käyttämällä kahta karabiinia (ei mukana), kuten kuvassa G4.

G-1	Vyön koukku	G-2	Renkaat
-----	-------------	-----	---------

HUOMAUTUS:

- Kun kiipeät puuhun, kiinnitä päällystetyn sähköjohdon renkaat 1 ja 2 kiipeilyvaljajiin karabiineilla (ei mukana) (kuva G5)
- Kun työkalu on käytössä, irrota rengas 2 kiipeilyvaljaista, pidä sahaa molemmin käsin, kun suoritat työn (kuva G6).

SAHAN KIINNITTÄMINEN AKUN KOTELOON

Kiinnitä päällystetyn sähköjohdon **sahan koukku (H-2) pujotusreikään (H-1)**. (Kuva H)

H-1	Pujotusreikä	H-2	Sahan Koukku
-----	--------------	-----	--------------

AKUN ASENTAMINEN/POISTAMINEN

HUOMAUTUS: Lataa akku täyteen ennen ensimmäistä käyttöä.

Asentaminen (kuva I1)

Aseta akun ulokkeet kiinnitysaukoihin ja liu'uta akkua akun koteloon, kunnes se napsahtaa paikalleen.

Poistaminen (kuva I2)


Paina akun vapautuspainiketta peukalolla ja vedä akku ulos.

MOOTTORISAHAN KÄYNNISTÄMINEN/ SAMMUTTAMINEN

Käynnistäminen

1. Kohdist **virtapistokkeen (J-2)** "▲"-merkit ja

moottorisahan **virtaliitännän (J-1)** merkit toisiinsa ja työssä sitten pistoke moottorisahaan, kunnes VIHREÄ tiiviste häviää TÄYSIN liittäen (kuva J1).

2. Paina "ON/OFF"-kytkin asentoon "ON" (kuva J2).
3. Vedä takapotkun jarrukahva kohti pääkahvaa  -asentoon.
4. Siirrä **lukituskieli (J-3)** eteenpäin ja paina sitten portaattoman **nopeuden liipaisinta (J-4)**. Mitä enemmän vedät portaattoman nopeuden liipaisinta, sitä nopeammin teräketju pyörii (kuva J3).

J-1	Virtaliitäntä	J-3	Lukituskieli
J-2	Virtapistoke	J-4	Portaaton nopeuden liipaisin

Pysäyttäminen

1. Pysäytä moottorisaha vapauttamalla portaattoman nopeuden liipaisin.

HUOMAUTUS: Teräketju jatkaa pyörimistä vielä hetken portaattoman nopeuden liipaisimen vapauttamisen jälkeen. Vältä kosketusta portaattoman nopeuden liipaisimen vapauttamisen jälkeen, ja kun asetat moottorisahan alas.

2. Työnnä takapotkun jarrukahva eteenpäin jarrutusasentoon "☹".
3. Paina "ON/OFF"-kytkin asentoon "OFF".

VAROITUS: Irrota virtapistoke moottorisahasta aina, kun pidät työstä taukoa ja kun lopetat sahan käytön.

SAHAUKSEN VALMISTELU

Kunnollinen ote kahvoista (kuva K)

- Käytä liukumisen estäviä käsineitä, jotta saat parhaan mahdollisen otepitävyyden ja suojan.
- Tartu etukahvaan aina vasemmalla kädellä ja pääkahvaan oikealla kädellä.
- Sormien tulisi kiertyä kahvan ympärille niin, että peukalo on kiertynyt etukahvan alle.

VAROITUS: Älä käytä vasenkätistä (ristikätistä) otetta tai asentoa, joka saattaisi asettaa kätesi tai kehosi teräketjun eteen.

VAROITUS: Älä käytä liipaisukytkintä vasemmalla kädelläsi ja pidä etukahvaa oikealla kädelläsi. Älä päästä mitään osaa kehostasi sahauslinjalle moottorisahalla työskentelyn aikana (kuva L).

KETJUN VOITELUN TARKISTAMINEN (kuva M)

HUOMAUTUS: Varmista, että moottorisahan öljysäiliössä on riittävä määrä ketjuöljyä.

1. Pidä terälevyä vaalean pinnan päällä.
2. Kytke saha päälle. Näet kirkkaan öljyviivan vaalealla pinnalla 1 minuutin kuluttua, jos ketjun voitelu onnistui.
3. Jos ketjuöljyä ei näy vaalealla pinnalla, katso osio **ÖLJYNVIRTAUKSEN SÄÄTÄMINEN** ja säädä virtaus.

MOOTTORISAHAN KÄYTTÄMINEN PUUSSA

VAROITUS: kun työskentelet tai kiipeilet, suosittelemme käyttämään lisätukea, kuten jalkajalustoja, säädettäviä köysiä, estämään heilahtamiset ja sahausonnettomuudet.

Tarkista seuraavat asiat ennen käyttöä:

- Tarkista **ketjupyörän (N-1)** kulumismerkit. Jos kulumismerkit ovat yli 0,5 mm syvät: ota yhteys EGO-jälleenmyyjään ketjupyörän vaihtamiseksi.
- Tarkista myös jarrujärjestelmä. Jos **jarruhinnan (N-2)** kulumismerkit ovat epätasaisia, ota yhteys EGO-jälleenmyyjään jarruhinnan vaihtamiseksi. (Kuva N)

N-1	Ketjupyörä	N-2	Jarruhinna
-----	------------	-----	------------

- Tarkista terälevy, katso vastaava osio: **TERÄLEVYN KUNNOSSAPITO**
- Tarkista teräketju, katso vastaava osio: **KETJUN KUNNOSSAPITO**
- Testaa ketjun jarru, katso vastaava osio: **TAKAPOTKUN TURVALLISUUSLAITTEET**

TÄSSÄ MOOTTORISAHASSA

- Tarkista säätimet, katso vastaava osio: **MOOTTORISAHAN KÄYNNISTÄMINEN / SAMMUTTAMINEN**
- Tarkista ketjun voitelu, katso vastaava osio: **KETJUN VOITELUN TARKISTAMINEN**

KUNNOSSAPITO

PUHDISTAMINEN

- Puhdista irtoaines ketjusta ja terälevyistä jokaisen käyttökerran jälkeen pehmeällä harjalla. Pyyhi moottorisahan pinta puhtaalla, mietoon saippuuliukseen kostutetulla liinalla.
- Perusteellisempi puhdistaminen tehdään irrottamalla sivusuojuksen kokoonpano, poistamalla terälevy ja teräketju ja poistamalla roskat harjaamalla terälevyistä, teräketjusta ja ketjupyörästä moottorisahan akkupäässä.
- Puhdista aina puulastut, sahanpuru ja lika terälevyn

urasta, kun vaihdat teräketjun.

SAHANPURUN POISTAMINEN

1. Irrota virtapistoke, anna moottorisahan jäähtyä ja kiristä öljysäiliön korkki.
2. Laita sahan jarru päälle
3. Käytä yhdistelmäavainta (mukana) ja irrota **pölysuojuksen (0-1)** ruuvi ja avaa se (kuva O1).
4. Puhdista sahanpuru ja lastut jäähdytysrivasta käyttämällä paineilmaa, puhalla **ilmanottoaukon (0-2)** vastakkaiselta puolelta. (Kuva O2).

0-1	Pölysuojus	0-2	Ilmanotto
-----	------------	-----	-----------

TERÄLEVYN KUNNOSSAPITO

Kun terälevyssä näkyy kulumisen merkkejä, irrota se moottorisahan akkupäästä, käännä se ja kiinnitä takaisin (kuva P1). Tällä tavalla sen käyttöikä on mahdollisimman pitkä.

Terälevy tulee puhdistaa (mukaan lukien **terälevyn kiskot (P-1)** ja **voiteluaukko (P-2)** jokaisena käyttöpäivänä ja tarkistaa kulumisen ja vaurioiden varalta (kuva P2). Terälevyn kiskojen rispaantuminen tai epätasaisuus on tavallista terälevyn kulumista. Nämä viat voidaan korjata viilalla heti niiden ilmestyessä. Terälevy, jossa on jokin seuraavista vioista, pitää vaihtaa.

Kulumista terälevyn kiskojen sisäpuolella, jonka takia ketju voi olla liikkua sivuttain.

- Vääntynyt terälevy.
- Halkeilleet tai rikkiinäiset kiskot.
- Levinneet kiskot.

Terälevyn kärjessä on lisäksi kärkipyörä Kärkipyörä on voideltava viikoittain rasvaruisukulla, jotta terälevyn käyttöikä pitenee (kuva P3 ja P4). Käännä **kärkipyörää (P-3)** samalla pumpaten **läpinäkyvää keltaista, läpinäkyvää punaista tai läpinäkyvää rasvaa voiteluaukkoon (P-4)**, kunnes koko kärkipyörä on voideltu. Älä työnnä liikaa aukkoon.

P-1	Terälevyn kiskot	P-3	Kärkipyörä
P-2	Voiteluaukko	P-4	Voiteluaukko

KETJUN KUNNOSSAPITO

Käytä tässä sahasa vain vähäisen takapotkun ketjuja. Tämä nopeasti sahaava ketju vähentää takapotkua, kun se pidetään kunnossa oikeaoppisesti.

Hyvin teroitettu teräketju sahaa puuta helposti pienelläkin painamisella. Älä koskaan käytä tylsää tai vahingoittunutta teräketjua. Tylsä teräketju aiheuttaa fyysisen voimankäytön lisääntymistä, tärinän voimistumista,

huonompia sahaustuloksia ja lisääntynyttä kulumista.

Jotta sahaaminen olisi helppoa ja nopeaa, ketju tulee pitää kunnossa oikeaoppisesti. Ketju täytyy teroittaa silloin, kun puupalat ovat pieniä ja jauhomaisia, kun ketju on pakotettava puun läpi sahauksen aikana tai kun ketju ohjautuu jompaankumpaan suuntaan. Huomioi ketjun kunnossapidon aikana seuraavat asiat:

- Vääränlainen sivulevyn viilaukulma saattaa lisätä merkittävästi takapotkun riskiä.
- Syvyyssmittareiden liikkumisvara. Liian alhainen liikkumisvara lisää takapotkun todennäköisyyttä. Liian korkea liikkumisvara huonontaa sahaustehoa.
- Jos terän hampaat ovat osuneet koviin esineisiin, kuten kiviin tai nauloihin, tai puussa oleva muta tai hiekka on hirtännyt niitä, teroituta ketju asiantuntevalla huoltoteknikolla.

HUOMAUTUS: suosittelemme, että **teräketju** teroitetaan ja huolletaan valtuutetussa huoltooliikkeessä.

FI

KULJETUS JA VARASTOINTI

- Älä varastoi tai kuljeta moottorisaha, kun se on käynnissä. Irrota aina virtapistoke ennen varastointia tai kuljetusta.
- Laita aina terälevyn suojus terälevyn ja ketjun päälle ennen kuin varastoi tai kuljetat moottorisaha. Varo ketjun teräviä hampaita.
- Puhdista moottorisaha perusteellisesti ennen varastointia. Säilytä moottorisaha sisällä kuivassa paikassa, johon lapset eivät pääse.
- Pidä poissa syövyttävien aineiden, kuten puutarhakemikaalien ja jäänestosuolojen, läheltä.

Ympäristönsuojelu



WEEE (Sähkö- ja elektroniikkalaiteromu)
Älä hävitä sähkölaitteita, akkulaturia tai akkuja/ladattavia paristoja kotitalousjätteen seassa! Vie tämä tuote hyväksytyyn kierrätyspaikkaan tai anna se erilliseen keräilyyn. Sähköyökalut tulee palauttaa asianmukaiseen ympäristöstävälliseen kierrätyslaitokseen.

VIANMÄÄRITYS

ONGELMA	SYY	RATKAISU
Moottori ei käy	<ul style="list-style-type: none"> ■ Akun kotelon virtapistoketta ei ole liitetty moottorisahaan. ■ Akun kotelon ja akun välillä ei ole sähköliitäntää. ■ Lukituskieltä ei ole taivutettu ylös. ■ “ON-OFF” -kytkin on asennossa “OFF”. ■ Ketjujarru on käytössä. 	<ul style="list-style-type: none"> ■ Liitä akun kotelon virtapistoke moottorisahaan. ■ Irrota akku, tarkista kosketuskohdat ja asenna akku uudelleen paikalleen. ■ Taivuta lukituskieli ennen käynnistämistä. ■ Käännä “ON-OFF” -kytkin asentoon “ON”. ■ Vedä ketjun takapotkun jarrukahvaa taaksepäin kohti yläkahvaa takaisin toiminta-asentoon.
Moottorisaha lakkaa toimimasta käytön aikana.	<ul style="list-style-type: none"> ■ Akku tai moottorisaha on ylikuumentunut. ■ Moottorisaha on ylikuormittunut. ■ Liian paljon puukappaleita tuuletuskanavassa. ■ Akku on tyhjä. 	<ul style="list-style-type: none"> ■ Jäähdytä akku tai moottorisaha. ■ Vähennä kuormitusta. ■ Puhdista sahanpuru, katso kohta “SAHANPURUN POISTAMINEN”. ■ Lataa akku
Ketjun jarru ei toimi	<ul style="list-style-type: none"> ■ Irtoaines estää takapotkun jarrukahvan vapaan liikkeen. ■ Mahdollinen ketjun jarrun vikatila 	<ul style="list-style-type: none"> ■ Puhdista lika ulkoisesta ketjun jarrumechanismista. ■ Ota yhteyttä EGO:n asiakaspalveluun korjausta varten.
Ei öljyvoitelua sahausken aikana.	<ul style="list-style-type: none"> ■ Ketjun öljysäiliö on tyhjä. ■ Terälevyn öljyaukko on tukossa. ■ Öljy jähmettynyt alhaisessa lämpötilassa 	<ul style="list-style-type: none"> ■ Täytä terälevyn ja ketjun voiteluaine. ■ Puhdista pöly öljyn poistoaukosta. ■ Vaihda kunnolliseen voiteluöljyyn (alhaiseen lämpötilaan soveltuvaan)
Alhaisen öljytason merkkivalo vilkkuu punaisena tai siinä on epänormaali valo, vaikka öljysäiliö on täynnä öljyä.	<ul style="list-style-type: none"> ■ Koneen erikoinen käyttökulma estää öljyn pääsyn öljysäiliöstä öljyputkeen. ■ Öljyn luokitus ja väri eivät ole suositusten mukaisia. ■ Alhaisen öljytason merkkivalo vilkkuu edelleen punaisena. 	<ul style="list-style-type: none"> ■ Aseta moottorisaha alas ja yritä uudelleen. ■ Käytä suositeltua läpinäkyvää keltaista, läpinäkyvää punaista tai läpinäkyvää öljyä ■ Ota yhteyttä EGO:n asiakaspalveluun korjausta varten
Alhaisen öljytason merkkivalo ei toimi, jos öljysäiliössä on liian vähän öljyä.	<ul style="list-style-type: none"> ■ Öljyn luokitusta ja väriä ei tunnisteta. ■ Pieni öljymäärä on vielä öljysäiliössä tai öljyputkessa. ■ Alhaisen öljytason merkkivalo ei toimi vielä edellä mainituista syistä. 	<ul style="list-style-type: none"> ■ Käytä suositeltua läpinäkyvää keltaista, läpinäkyvää punaista tai läpinäkyvää öljyä ■ Käytä moottorisahaa jonkin aikaa ja tarkista sitten öljytason merkkivalo uudelleen ■ Ota yhteyttä EGO:n asiakaspalveluun korjausta varten.

TAKUU

EGON TAKUUEHDOT

Verkkosivustolta egopowerplus.eu löydät EGO:n takuukäytännön täydelliset ehdot.

LES ALLE INSTRUKSJONER!



LES BRUKERHÅNDBOKEN

SIKKERHETSSYMBOL

Formålet med sikkerhetssymbolene er å rette oppmerksomheten din mot mulige faresituasjoner. Sikkerhetssymbolene og forklaringene krever din fulle oppmerksomhet og forståelse. Symbolvarslene eliminerer ikke farer i seg selv. Instruksjonene og advarslene i dem kan ikke erstatte passende ulykkesforebyggende tiltak.

⚠ ADVARSEL: Sørg for å lese og forstå alle sikkerhetsinstruksjonene i denne brukerhåndboken, inkludert alle sikkerhetsvarslingsymboler som **“FARE”**, **“ADVARSEL”**, og **“FORSIKTIG”** før du bruker dette verktøyet. Hvis du ikke følger alle instruksjonene nedenfor kan det føre til elektrisk støt, brann og/eller alvorlig personskade.

SYMBOLFORKLARINGER

Denne siden viser og beskriver sikkerhetssymboler som kan være på produktet. Les, forstå og følg alle instruksjoner på enheten før du begynner montering og tar den i bruk.

NO

SIKKERHETSSYMBOLER



Sikkerhetsadvarsel



Bruk tunge arbeidshansker laget av slitesterkt materiale



Bruk sklisikkert fotteøy



Vær oppmerksom på tilbakeslag. Kontakt av styrespissen med gjenstander bør unngås



Styrestangtips tilbakeslag - Tippkontakt kan føre til at styrestangen beveger seg plutselig oppover og bakover, noe som kan forårsake alvorlig personskade.



Dette produktet er i samsvar med gjeldende britisk lovgivning.



Garantert lydeffektnivå.



Dette produktet er i samsvar med gjeldende EF-direktiver.

IPX5

Beskyttelse mot vannstråler



For at risikoen for personskader skal unngås må brukeren lese og forstå bruksanvisningen før produktet tas i bruk.



Bruk tettsittende klær. Ikke bruk skjerv, slips eller smykker



Bruk tettsittende vernebriller, ørepropper eller øreklokker og en sikkerhetsluge med hakestropp



Tohåndsgrep - Bruk alltid to hender når du bruker motorsagen.



Informasjonen fra sverdet.



Elektrisk avfall skal ikke kastes sammen med husholdningsavfall. Innlever ved en godkjent gjenvinningsstasjon.

V

Volt



Likestrøm

SPESIFIKASJONER

Spenning	56 V	
Anbefalt driftstemperatur	-15°C-40°C	
Anbefalt lagringstemperatur	-40°C-70°C	
Optimal ladetemperatur	5°C-40°C	
Klippelengde	300 mm	
Kjedehastighet	20 m/s	
Kjedevinkel	3/8" (9,5 mm)	
Kjedestørrelse	1,1 mm	
Sagkjedetype	AC1200 (Anbefalt) AC1400/AC1401 (Kompatibel) AC1600/AC1601 (Kompatibel)	
Styrestangtype	AG1200 (Anbefalt) AG1400/AG1401 (Kompatibel) AG1600/AG1601 (Kompatibel)	
Kjededeling	3/8" (9,5 mm)	
Kjedemål	1,1 mm	
Spesifisert antall drivhjultenner	6	
Kjede oljetank kapasitet	250ml	
Vekt (uten batteripakke, kjedeslire)	3,5 kg	
Målt lydeffektnivå L_{WA}	98,8 dB(A) K=3 dB(A)	
Lydtrykknivå i arbeidsstilling L_{PA}	88,1 dB(A) K=3 dB(A)	
Garantert lydeffektnivå L_{WA} (i henhold til 2000/14 / EC)	102 dB(A)	
Vibrasjon a_n	Fronthåndtak	1,73 m/s ² K= 1,5 m/s
	Hovedhåndtak	2,21 m/s ² K= 1,5 m/s

- Erklært total vibrasjonsverdi er målt i overensstemmelse med en standard testmetode og kan brukes til å sammenligne ett verktøy med et annet;
- Erklært total vibrasjonsverdi kan også brukes i en foreløpig vurdering av eksponering.

MERK: Vibrasjoner under faktisk bruk av elektroverktøyet

kan variere fra den opplyste verdien der verktøyet brukes; For å beskytte brukeren skal det alltid benyttes hansker og hørselsvern under faktiske bruksforhold.

BESKRIVELSE

KJENN DIN MOTORSAGEN (Fig. A1)

1. Sagkjede
2. Tilbakeslagsspaken
3. Låsetunge
4. Hovedhåndtak
5. Variabel hastighetsregulator
6. Malje
7. Batteriindikator
8. Indikator for lav olje
9. Fronthåndtak
10. Oljetanklokk
11. Styrestang
12. Smørehull
13. Tannhjul
14. Spenningskrue
15. PÅ-AV sikkerhetsbryter
16. Guidebolt
17. Stangmutter
18. Sidedekselmontering
19. Oljestrømjustering skruedeksel
20. Støvfjerningsdeksel
21. Utkastingsmekanisme
22. Elektriske kontakter
23. Utføserknapp til batteri
24. Beltekrok
25. Spenne
26. Stropp
27. Stropp
28. Ring 1
29. Sagkrok
30. Støpsel
31. Ring 2
32. Kjedeslire
33. Kombinasjonsnøkkel

PAKKELISTE (FIG. A1)

MONTERING

MONTERING / DEMONTERING AV BAR OG KJEDE


⚠ ADVARSEL: Koble alltid fra støpselet, og bruk vernehansker før du monterer eller utfører vedlikehold på produktet.

⚠ ADVARSEL: Les alle sikkerhetsadvarslene, instruksjonene, illustrasjonene og spesifikasjonene

som følger med dette elektroverktøyet. Manglende etterlevelse av alle instruksjonene under kan resultere i elektrisk støt, brann og/eller alvorlig skade.

⚠ ADVARSEL: Sørg for å bestille sverdet og sagkjedet som er oppført i denne håndboken. Unnlattelse av å følge den kan føre til alvorlige skader.

Ta vare på alle advarsler og instruksjoner for fremtidig bruk.

1. Forsikre deg om at tilbakeslagsspaken er satt i  posisjon
2. Skru av **stangmutteren (A-17)** mot urviseren for å ta av **sidedekselet (A-18)**.
3. Legg sagkjedet i en løkke på en flat overflate og rett opp eventuelle knekk. (Fig. B1)
4. Plasser **drivleddene (B-1)** inn i **spor (B-2)** på styreskinnen og gjør kjedet til en løkke på baksiden av styreskinnen. (Fig. B2)
5. Hold kjedet på plass på styrestangen og plasser løkken rundt **kjedehjulet (B-3)** på motorhodet, og kontroller følgende ting (fig. B3):
 - a) Sagkjedets drivlenke sitter i tennene på kjedehjulet (B-3).
 - b) **Strammeskruen (B-4)** og **føringsbolten (B-5)** befinner seg i sporet på styreskinnen. **Spenstiften (B-6)** er koblet inn i hullet på svingstangen.

MERK: Forsikre deg om at pilretningen på sagkjedetennene alltid vender fremover (fig. B3).

6. Se avsnittet "**TILSPENNING AV SAGKJEDEN**" for å sikre at kjedet er riktig montert uten binding.
7. Juster to **føringsstenger (B-7)** av sidedekselsammenstillingen med respektive **hull (B-8)** i sagen, så de passer til sidedekselenheten. (Fig. B4)
8. Stram stangmutteren.

B-1	Driftslenker	B-5	Guidebolt
B-2	Spor	B-6	Spenningsstift
B-3	Kjedehjul	B-7	Styrestenger
B-4	Spenningskrue	B-8	Hull

MERK: Hvis styrestangen må byttes ut, demonter du sidedekselet og monter det på nytt med den nye styrestangen som vist i figur C.

OPERASJON

Før hver bruk, inspiser hele produktet for skadede, manglende eller løse deler som skruer, muttere, bolter osv. Stram alle festemidler og hetter godt og ikke bruk dette

produktet før alle manglende eller skadde deler er erstattet.

⚠ ADVARSEL: Noen nasjonale forskrifter kan begrense bruken av maskinen.

⚠ ADVARSEL: Ikke bruk maskinen når du er trøtt, syk eller påvirket av alkohol eller andre rusmidler.

MERK: Hvis maskinen er ute av kontroll, for eksempel tilbakeslag, må du slå av strømmen umiddelbart.

APPLIKASJON

Produktet kan brukes i regn.

- Denne motorsagen er designet spesielt for kirurgi og vedlikehold på treet.



Denne sagen skal kun brukes av personer som er spesialutdannet i trevedlikeholdsarbeid.

MERK: Anbefaling om at førstegangsbrukeren som et minimum skal øve seg på å kutte tømmerstokker på en saghest eller vugge.

SPENNING AV SAGKJEDEN

⚠ ADVARSEL: Kjedet skal aldri berøres eller justeres mens motoren er i gang. Sagkjeden er veldig skarp; Bruk alltid vernehansker når du utfører vedlikehold på kjedet.

Sagkjeden utvides eller trekker seg sammen under normal sagdrift. Kjedespenningen endres som et resultat. Sjekk kjedespenningen regelmessig under drift og juster om nødvendig.

1. Slå av motorsagen, slå på kjedebremsen og koble fra støpselet.
2. Løsne stangmutteren, slik at svingstangen kan bevege seg fritt for fremtidig justering.
3. Hold nesen på stangen, og juster spenningskrue til følgende punkter gjelder:
 - a) Motorsag i midten av baren er rundt: 1 - 2 mm (Fig. D).
 - b) Koble ut kjedebremsen, sørg for at kjedet kan trekkes langs stangen med to fingre.

MERK: Utfør dette trinnet forsiktig for å unngå personskader da denne likestrømsmotoren inneholder magnetisk materiale sammenlignet med en vanlig bensindrevet motorsag. Når du kjører sagkjedet med to fingre, vil du føle en viss motstand. Det blir ikke så glatt som med en bensinsag.

4. Hold stangen opp og stram mutteren.

IMERK: Hvis kjedesakket i midten av stangen ikke er 1-2 mm, må du justere kjedespenningen.

FYLLING AV OLJETANK

1. Koble batteripakken fra motorsagen.
2. Plasser motorsagen på siden på en fast, flat overflate, slik at hetten på oljetanken vender oppover. Åpne oljetanklokket. Hvis den er for stram, kan du bruke spaltehodet på skiffenøkkelen (medfølger) for å løsne den (Fig. E)
3. Hell oljen forsiktig i oljetanken. Fyll til bunnen av påfyllingshalsen. Tørk av overflødig olje og lukk den.

MERK

- Motorsagen er ikke fylt med olje på kjøpstidspunktet. Det er svært viktig å fylle tanken med olje før bruk. Kjedet smøres automatisk med kjedeolje når sagen er i gang.
- Den er spesielt beregnet på å gi lav friksjon og raskere kapping.
- Bruk aldri olje eller andre smøremidler som ikke er spesielt designet for bruk på stangen og kjeden. Dette kan føre til et tett oljesystem, som kan føre til for tidlig slitasje på stangen og kjedet.

JUSTERING AV OLJESTRØMMEN (Fig. F)

- Denne saken er utstyrt med en **justeringssskrue for oljeflyt (F-1)**, plassert på bunnen av verktøyet. Den brukes til å justere oljestrømmen for smøring av kjetting, stang og skjæresystem. Øke eller redusere oljestrømmen i pilens retning som markert på huset.

LED-INDIKATOR PÅ MOTORSAGEN

Motorsagen er utstyrt med to LED-indikatorer for å indikere oljestatus og batterinivåens ladningsnivå.

LED-indikator	Betydning	Handling
Indikator for lav olje (A-8)	Bliker rødt	Oljemangel Fyll oljetanken
	Av	Har oljen /
Batteriindikator (A-7)	Lyser grønt	Batteripakken har kraften /
	Bliker grønt	Batteriet er nesten utladet og må lades umiddelbart. Lade batteriet

FESTE BATTERIHOLSTEREN TIL KLATRESELEN

Denne motorsagen kommer med et batterihylster, den brukes til å bære batteripakken og lar den festes til klatreselen (medfølger ikke).

MERK: Fest batterihylsteret godt på klatreselen før du bruker klatreselen.

⚠ ADVARSEL: Klatreselen med hurtigutløsningsfunksjon må forberedes for å forhindre at en nødsituasjon oppstår.

1. Søk et foretrukket punkt for å henge dette batterihylsteret på klatreselen, heng batterihylsteret på klatreselen ved å bruke **beltekroken (G-1)**. (Fig. G1)
2. Pakk beltet rundt klatreselen for å feste batterihylsteret på plass (fig. G2 og G3).
3. Fest de to **ringene (G-2)** med sikkerhetsstroppen til klatreselen ved å bruke to karabiner (ikke inkludert), som vist i figur G4.

G-1	Beltekrok	G-2	Ring
-----	-----------	-----	------

MERK

- Når du klatrer i treet, festes ring 1 og 2 på sikkerhetsstroppen til klatreselen ved hjelp av karabiner (ikke inkludert) (fig. G5)
- Når verktøyet er i bruk, løsner du ring 2 fra klatreselen, holder sagen i to hender for å utføre kuttingen (fig. G6).

SIKRING AV SAGEN TIL BATTERIHOLSTERET

Fest **sagkroken (H-2)** til sikkerhetsstroppen til **maljen (H-1)**. (Fig. H)

H-1	Malje	H-2	Sagkrok
-----	-------	-----	---------

INSTALLERE / FJERNE BATTERIPAKKEN

MERK: Lad batteripakken helt før den brukes første gang.

Installere (Fig. I1)

Juster ribbene til batteripakken med monteringsporene og deretter skyv batteriet inn i batterihylsteret inntil den smekker på plass.

Fjerning (Fig. I2)

Trykk på batteriutløserknappen med tommelen for å fjerne batteripakken.

START/STOPP AV MOTORSAGEN

For å starte opp

1. Juster "▲" merkene på **strømkontakten (J-2)** og motorsagens **elektriske stikkontakt (J-1)**, og sett deretter pluggen i motorsagen inntil den GRØNNE tetningen på pluggen forsvinner HELT i kontakten (fig. J1).
2. Skyv "ON / OFF" -bryteren til posisjon "ON" (fig. J2).
3. Trekk tilbakeslagsspaken mot hovedhåndtaket til posisjon.

NO

4. Flytt låsetungen (J-3) fremover og trykk deretter på den variable hastighetsregulatoren (J-4). Jo mer du trekker opp den variable hastighetsregulatoren med variabel hastighet, jo høyere rotasjons hastighet har sagkjeden (fig. J3).

J-1	Stikkontakt	J-3	Låsetunge
J-2	Støpsel	J-4	Variabel hastighetsregulator

For å stanse

- Slipp den variable hastighetsregulatoren for å stoppe motorsagen.

MERK: Sagkjeden vil fortsette å rotere en kort stund etter at den variable hastighetsregulatoren er utløst. Pass på å unngå kontakt etter at du har sluppet den variable hastighetsregulatoren og når du setter ned motorsagen.

- Skyv tilbakeslagsspaken fremover til bremseposisjonen "☐".
- Skyv "ON / OFF" -bryteren til posisjon "OFF".

⚠ ADVARSEL: Koble alltid støpselet fra motorsagen under arbeidspauser og etter endt arbeid.

FORBEREDELSE FOR KUTTING

Riktig grep på håndtakene (Fig. K)

- Bruk sklisikre hansker så du får best mulig grep og beskyttelse.
- Ta alltid tak i det fremre håndtaket med venstre hånd og hovedhåndtaket med høyre hånd.
- Fingrene skal omslutte håndtaket, med tommelen innpakket under det fremre håndtaket.

⚠ ADVARSEL: Bruk aldri et venstre hendt (krysshånd) grep eller noe holdning som vil plassere kroppen eller armen din over kjedelinjen.

⚠ ADVARSEL: Ikke bruk avtrekkeren med venstre hånd og hold det fremre håndtaket med høyre hånd. La aldri noen deler av kroppen din befinne seg i kjedelinjen mens du bruker motorsagen (fig. L).

KONTROLL AV KJEDESMØRING (Fig. M)

MERK: Forsikre deg om at oljetanken til motorsagen er fylt med riktig volum kjedeolje.

- Hold styrestangen over en lys overflate.
- Slå på saken. Du vil se en klar linje med olje på den lyse overflaten etter 1 minutt hvis kjedesmøringen fungerer som den skal.
- Hvis kjedeoljen fremdeles ikke er synlig på den lyse overflaten, se avsnittet "JUSTERING AV

"OLJESTRØMMING" for å justere den

DRIFT I TREET

⚠ ADVARSEL: Når du arbeider eller klatrer, anbefales det å bruke tilleggsstøtten, for eksempel fotstigbøylen, justerbar snor for å forhindre sving eller kutteulykke.

Før du bruker den, må du sjekke følgende punkter:

- Kontroller slitasjen på **kjedehjulet (N-1)**. Hvis slitasjemerkenene er dypere enn 0,5 mm: kontakt EGO-serviceforhandleren for å skifte ut kjedehjulet.
- Sjekk også bremsesystemet. Hvis slitasje på **bremsebelegget (N-2)** er ujevnt, må du kontakte EGO-serviceforhandleren for å bytte ut bremsebelegget. (Fig. N)

N-1	Kjedehjul	N-2	Bremsebelegg
-----	-----------	-----	--------------

- Sjekk linjen, se relaterte avsnitt: **VEDLIKEHOLD AV SVERDET**
- Sjekk sagkjedet, se relaterte avsnitt: **VEDLIKEHOLD AV KJEDE**
- Testing av kjedebremsen, se relaterte avsnitt: **SIKKERHETSANORDNINGER PÅ DENNE**

NO

MOTORSAGEN

- Sjekk kontrollene, se relatert avsnitt: **START/STOPP AV MOTORSAGEN**
- Sjekk kjedesmøringen, se relaterte avsnitt: **KONTROLL AV KJEDESMØRING**

VEDLIKEHOLD

RENGJØRING

- Etter hver bruk fjernes rusk fra kjedet og sverdet med en myk børste. Tørk av motorsagens overflater med en ren klut, fuktet med mildt såpevann.
- For dyp rens, fjern sidedekselenheten, ta ned styrestangen og sagkjeden, og bruk deretter en myk børste for å fjerne rusk fra styrestangen, sagkjeden og drivhjulet på motorsagens krafthode.
- Fjern alltid trefliser, spon og rusk fra fordypningen til sagsverdet når du bytter kjede.

FJERN STØV

- Koble fra støpselet, la motorsagen avkjøles og stram til oljetanketten.
- Sett inn sagbremsen
- Bruk kombinøkkel (følger med) for å løse skruen på **støvfjerningsdekslet (O-1)** for å åpne den (fig. O1).

4. Rydde opp i spon og flis akkumulert i kjølefinnen ved hjelp av komprimert tørr luft, blåse det fra den motsatte siden av **luftinnløpet (O-2)**. (Fig. O2).

0-1	Støvfjerningsdeksel	0-2	Luftinntak
-----	---------------------	-----	------------

VEDLIKEHOLD AV SVERDET

Når føringsstangen viser tegn på slitasje, demonter du den fra motorsagens motorhode og snur den for montering igjen (fig. P1), den vil da fordele slitasjen for maksimal levetid for stangen.

Stangen bør rengjøres (inkludert **stangskinner (P-1)** og **smørehull (P-2)**) hver dag i bruk og kontrolleres for slitasje og skader (fig. P2). Uttoning eller gradering på sverdskindene er en normal slitasjeprosess på stangen. Slike feil skal jevnes med en fil så snart de oppstår. En stang med noen av følgende feil skal byttes ut.

NO

Slitasje inne i stangskinnene, som gjør at kjedet legger seg over sidelengs.

- Bøyd stang.
- Sprukne eller ødelagte skinner.
- Spre sporene.

Sverdet har et kjedehjul på enden. Tannhullet må smøres ukentlig med en fettsprøyte for å forlenge svingets levetid (fig. P3 og P4). Vri **neshjulet (P-3)** mens du pumper det **gjennomsiktige gule, gjennomsiktige røde** eller **gjennomsiktige fettet** inn i **smørehullet (P-4)** til hele tannhullet har nytt fett. Ikke skyv smuss inn i hullet.

P-1	Barskinner	P-3	Tannhjul
P-2	Smørehull	P-4	Smørehull

VEDLIKEHOLD AV KJEDE

Bruk kun kastreduserte kjeder på denne sagen. Dette raske sagkjedet vil gi kastreduksjon når det er riktig vedlikeholdt.

Et skikkelig skjerpet sagkjede skjærer gjennom tre uanstrengt, selv med veldig lite trykk. Bruk aldri et sløvt eller skadet sagkjede. Et sløvt sagkjede fører til økt fysisk belastning, økt belastningsvibrasjon, ikke tilfredsstillende klipperesultat og økt slitasje.

For smidig og rask klipping må kjedet vedlikeholdes riktig. Kjedet må skjerpes når flisene er små og pulveraktige, kjedet må tvinges gjennom treverket under saging, eller kjedet drar til den ene siden. Ved vedlikehold av kjedet må du vurdere følgende:

- Uriktig filevinkel på sideplaten kan øke risikoen for en alvorlige tilbakeslag.
- Dybdemålerklaring. For lav øker faren for tilbakeslag.

Ikke lavt nok til å senke sageevnen.

- Hvis skjæretennene har truffet på harde gjenstander, for eksempel spiker og steiner, eller har blitt slipt ned av gjørme eller sand på veden, må kjedet skjerpes av en kvalifisert servicetekniker.

MERKNAD: Det anbefales å gjøre sliping og vedlikehold av motorsagen utført av autoriserte servicesentre.

TRANSPORT OG LAGRING

- Ikke oppbevar eller transporter motorsagen når den er i gang. Koble alltid fra støpselet før du lagrer eller transporterer.
- Plasser alltid sverdskjeden over sverdet og kjedet før du lagrer eller transporterer motorsagen. Vær nøye med å unngå de skarpe tennene på kjedet.
- Rengjør motorsagen grundig før oppbevaring. Oppbevar motorsagen innendørs, på et tørt sted som er låst, og/eller utilgjengelig for barn.
- Holdes vekk fra etsende midler, for eksempel hagekjemikalier og avisingssalter.

Beskytt miljøet



WEEE (elektrisk og elektronisk avfall) Ikke kast elektrisk utstyr, brukt batteri og lader i husholdningsavfallet! Ta med dette produktet til autorisert gjenvinning, og gjør det tilgjengelig for separat innsamling. Elektriske verktøy må returneres til et egnet resirkuleringsanlegg.

FEILSØKING

PROBLEM	ÅRSAK	LØSNING
Motoren starter ikke.	<ul style="list-style-type: none"> ■ Strømpluggen til batterihylsteret er ikke festet til motorsagen. ■ Ingen elektrisk kontakt mellom batterihylsteret og batteriet. ■ Låsetungen er ikke brettet opp. ■ “ON-OFF” -bryteren er satt til “OFF”. ■ Kjedebremsen er aktivert. 	<ul style="list-style-type: none"> ■ Sett strømpluggen til batterihylsteret i motorsagen. ■ Koble fra batteriet, kontroller kontaktene og sett inn batteripakken på nytt. ■ Brett opp låsetungen før du starter. ■ Vri “ON-OFF” -bryteren til “ON”. ■ Trekk tilbakeslagsspaken mot fremre håndtak i driftsposisjon, slik at du er i driftsposisjonen.
Motorsagen slutter å gå under drift.	<ul style="list-style-type: none"> ■ Batteripakken eller motorsagen er for varm. ■ Motorsagen er overbelastet. ■ For mange trebiter blokkerer ventilasjonskanalen. ■ Batteripakken er utladet. 	<ul style="list-style-type: none"> ■ Avkjøl batteripakken eller motorsagen ■ Reduser belastningen. ■ Rengjør støvet, se “REMOVE DUST” -DELEN. ■ Lad opp batteripakken
Kjedebremsen tar ikke tak	<ul style="list-style-type: none"> ■ Rusk hindrer full bevegelse av tilbakeslagshåndtaket på kjeden ■ Mulig feil i kjedebremsen 	<ul style="list-style-type: none"> ■ Rens ut rusk fra den eksterne kjedebremsemekanismen. ■ Kontakt EGOs kundeservice for å få hjelp.
Ingen oljesmøring ved kutting.	<ul style="list-style-type: none"> ■ Kjedeløpet er tom. ■ Oljeløpet til kjedestangen er blokkert ■ Oljesolidisering ved lav temperatur 	<ul style="list-style-type: none"> ■ Påfylling av sverd- og kjedeolje. ■ Rengjør støvet i oljeløpet. ■ Bytt riktig smøreolje (passer for lav temperatur)
Indikatoren for lav olje blinker i rød farge eller viser unormalt lys mens oljetanken er fylt med olje.	<ul style="list-style-type: none"> ■ Spesiell bruksvinkel på maskinen som forårsaker at oljen i oljetanken ikke kommer inn i oljerøret. ■ Oljekategori og farge anbefales ikke. ■ Indikatoren for lav olje blinker fortsatt rødt. 	<ul style="list-style-type: none"> ■ Plasser motorsagen flatt og prøv igjen. ■ Bruk den anbefalte gjennomsiktige gule, gjennomsiktige røde eller gjennomsiktige oljen ■ Kontakt EGOs kundeservice for reparasjon
Indikatoren for lav olje fungerer ikke mens oljetanken mangler olje.	<ul style="list-style-type: none"> ■ Oljens kategori og farge kan ikke identifiseres. ■ En liten mengde olje som fortsatt er i oljetanken eller oljerøret ■ Indikatoren for lav olje fungerer fortsatt ikke av ovenstående årsaker. 	<ul style="list-style-type: none"> ■ Bruk den anbefalte gjennomsiktige gule, gjennomsiktige røde eller gjennomsiktige oljen ■ Bruk motorsagen en stund og følg deretter indikatoren for lav olje igjen ■ Kontakt EGOs kundeservice for å få hjelp.

NO

GARANTI

EGOs GARANTIREGLER

Besøk nettsiden egopowerplus.eu for å se fullstendige vilkår og betingelser for EGO-garantireglene.

ПРОЧИТАЙТЕ ВСЕ ИНСТРУКЦИИ!



ПРОЧИТАЙТЕ РУКОВОДСТВО ПОЛЬЗОВАТЕЛЯ

СИМВОЛЫ БЕЗОПАСНОСТИ

Символы безопасности предназначены для привлечения внимания к возможным рискам. Символы безопасности, а также пояснения к ним, требуют особого внимания и понимания. Предупреждения по технике безопасности сами по себе не устраняют опасность. Инструкции и предупреждения не заменяют соответствующие меры по предотвращению несчастных случаев.

⚠ ПРЕДУПРЕЖДЕНИЕ. Перед использованием устройства внимательно прочитайте все инструкции в данном руководстве пользователя и ознакомьтесь с предупреждающими символами безопасности, такими как «ОПАСНОСТЬ», «ПРЕДУПРЕЖДЕНИЕ» и «ВНИМАНИЕ». Несоблюдение всех приведенных ниже инструкций может привести к поражению электрическим током, возникновению пожара и (или) получению серьезных травм.

УСЛОВНЫЕ ОБОЗНАЧЕНИЯ

RU

Далее приведено изображение и описание символов безопасности, которые могут присутствовать на данном устройстве. Перед сборкой или использованием внимательно прочитайте все инструкции, приведенные на устройстве, и соблюдайте их.

СИМВОЛЫ БЕЗОПАСНОСТИ



Предупреждение об опасности



Используйте толстые рабочие перчатки из прочного материала.



Используйте нескользкую защитную обувь.



Остерегайтесь отдачи. Не прикасайтесь кончиком шины к каким-либо предметам.



Отдача кончика шины. При соприкосновении кончика шины с посторонними предметами инструмент может резко дернуться вверх и назад, что может привести к тяжелым травмам.



Данный продукт соответствует действующему законодательству Великобритании.



Гарантированный уровень звуковой мощности.



Соответствует основным требованиям стандартов безопасности Европейских директив.

IPX5 Защита от струй воды



Чтобы уменьшить риск получения травм, перед использованием устройства необходимо прочитать и понять руководство по эксплуатации.



Используйте плотно облегачающую одежду. Не надевайте шарфы, галстуки и украшения.



Носите плотно прилегающие защитные очки, беруши или наушники и защитную каску с ремешком на подбородке.



Держите двумя руками. При работе всегда держите цепную пилу двумя руками.



Информация о шине.



Неисправные электрические устройства нельзя выбрасывать вместе с бытовым мусором. Сдавайте их в авторизованные пункты сбора и утилизации.

V Вольт



Постоянный ток

ТЕХНИЧЕСКИЕ ХАРАКТЕРИСТИКИ

Напряжение	56 В	
Рекомендуемая рабочая температура	-15...40°C	
Рекомендуемая температура хранения	-40...70°C	
Оптимальная температура зарядки	5...40°C	
Длина резания	300 мм	
Скорость цепи	20 м/с	
Шаг цепи	3/8" (9,5 мм)	
Калибр цепи	1,1 мм	
Тип пильной цепи	AC1200 (рекомендуется) AC1400/AC1401 (совместимо) AC1600/AC1601 (совместимо)	
Тип шины	AG1200 (рекомендуется) AG1400/AG1401 (совместимо) AG1600/AG1601 (совместимо)	
Шаг цепи	3/8" (9,5 мм)	
Калибр цепи	1,1 мм	
Указанное количество зубьев зубчатого колеса	6	
Объем масляного резервуара цепи	250 мл	
Масса (без аккумуляторной батареи и чехла для цепи)	3,5 кг	
Измеренный уровень звуковой мощности, L_{WA}	98,8 дБ (А) K=3 дБ (А)	
Уровень звукового давления в рабочем состоянии L_{PA}	88,1 дБ (А) K=3 дБ (А)	
Гарантированный уровень звуковой мощности L_{WA} (в соответствии со стандартом 2000/14/ЕС)	102 дБ(А)	
Вибрация a_h	Передняя рукоятка	1,73 м/с ² K=1,5 м/с
	Основная рукоятка	2,21 м/с ² K=1,5 м/с

- Указанное общее значение вибрации было определено с помощью стандартного теста и может быть использовано для сравнения разных инструментов.
- Указанное общее значение вибрации также может использоваться для предварительной оценки уровня воздействия.

ПРИМЕЧАНИЕ. Реальное вибрационное воздействие электроинструмента может отличаться от указанного в зависимости от способа использования. В целях безопасности оператор должен надевать перчатки и средства защиты органов слуха во время использования устройства.

ОПИСАНИЕ

ЗНАКОМСТВО С ЦЕПНОЙ ПИЛОЙ (Рис. А1)

1. Пильная цепь
2. Ручка цепного тормоза
3. Запорный язычок
4. Основная рукоятка
5. Курковый регулятор скорости
6. Ушко
7. Индикатор аккумулятора
8. Индикатор низкого уровня масла
9. Передняя рукоятка
10. Крышка резервуара для масла
11. Шина цепи
12. Смазочное отверстие
13. Зубчатое колесо
14. Винт натяжителя
15. Выключатель питания с предохранителем
16. Болт направляющей
17. Гайка шины
18. Боковая крышка в сборе
19. Крышка винта регулировки подачи масла
20. Крышка для защиты от пыли
21. Выталкивающий механизм
22. Электрические контакты
23. Кнопка извлечения аккумулятора
24. Ременная петля
25. Зажим
26. Ремень
27. Кабель
28. Кольцо 1
29. Петля
30. Разъем питания
31. Кольцо 2
32. Чехол цепи
33. Комбинированный ключ

КОМПЛЕКТ ПОСТАВКИ (РИС. А1)

СБОРКА

СБОРКА И РАЗБОРКА ШИНЫ И ЦЕПИ

▲ ПРЕДУПРЕЖДЕНИЕ. Перед сборкой или


RU

обслуживанием устройства всегда отсоединяйте разъем питания и надевайте защитные перчатки.

▲ ПРЕДУПРЕЖДЕНИЕ. Прочитайте все правила безопасности, инструкции, иллюстрации и спецификации, прилагаемые к этому электроинструменту. Невыполнение изложенных ниже инструкций может привести к поражению электрическим током, пожару и (или) тяжелым травмам.

▲ ПРЕДУПРЕЖДЕНИЕ. Используйте только шину и пильную цепь, указанные в данном руководстве. Несоблюдение этого требования может привести к серьезным травмам.

Сохраните все предупреждения и инструкции для использования в будущем.

1. Убедитесь, что ручка цепного тормоза находится в положении .
2. Открутите **гайку шины (A-17)** против часовой стрелки, чтобы снять **боковую крышку в сборе (A-18)**.
3. Разложите пильную цепь петлей на плоской поверхности и распрямите все перегибы (Рис. В1).
4. Поместите **приводные звенья цепи (B-1)** в **паз (B-2)** шины и оттяните цепь в задней части шины (Рис. В2).
5. Удерживая цепь в одном положении на шине, поместите петлю на **зубчатое колесо (B-3)** силового блока. Затем проверьте следующее (Рис. В3).
 - а) Приводные звенья цепи расположены на зубцах **зубчатого колеса (B-3)**.
 - б) **Винт натяжителя (B-4)** и **болт направляющей (B-5)** расположены в направляющей шины. **Штифт натяжения (B-6)** входит в отверстие направляющей шины.

ПРИМЕЧАНИЕ. Убедитесь, что стрелки на зубьях пильной цепи направлены вперед (Рис. В3).

6. Убедитесь, что цепь правильно установлена без перегибов. См. раздел «НАТЯЖЕНИЕ ЦЕПИ».
7. Выровняйте два **направляющих стержня (B-7)** боковой крышки с соответствующими **отверстиями (B-8)** в корпусе и установите на место боковую крышку (Рис. В4).
8. Затяните гайку шины.

В-1	Приводные звенья	В-5	Болт направляющей
В-2	Паз	В-6	Штифт натяжения
В-3	Зубчатое колесо цепи	В-7	Направляющие стержни
В-4	Винт натяжителя	В-8	Отверстия

ПРИМЕЧАНИЕ. Если шину необходимо заменить, демонтируйте боковую крышку в сборе и установите ее с новой шиной, как показано на Рис. С.

ЭКСПЛУАТАЦИЯ

Перед каждым использованием полностью проверяйте устройство на наличие поврежденных, отсутствующих или ослабленных частей таких как винты, гайки, болты и т. д. Надежно закрепите все фиксаторы и заглушки и не пользуйтесь устройством до тех пор, пока не будут заменены поврежденные или отсутствующие части.

▲ ПРЕДУПРЕЖДЕНИЕ. Национальное законодательство может ограничивать использование устройства.

▲ ПРЕДУПРЕЖДЕНИЕ. Не пользуйтесь устройством, если вы устали, больны или находитесь в состоянии алкогольного или наркотического опьянения.

ПРИМЕЧАНИЕ. Если устройство вышло из-под контроля, например при отдаче, немедленно отключите питание.

ПРИМЕНЕНИЕ

Изделие можно использовать во время дождя.

- Эта бензопила разработана специально для обрезки и ухода за деревьями.



Этой пилой могут пользоваться только лица, прошедшие специальную подготовку по уходу за деревьями.

ПРИМЕЧАНИЕ. Начинающему пользователю рекомендуется потренироваться пилить бревна на козлах.

НАТЯЖЕНИЕ ПИЛЬНОЙ ЦЕПИ

▲ ПРЕДУПРЕЖДЕНИЕ. Никогда не прикасайтесь к цепи и не регулируйте ее, когда двигатель работает. Цепь пилы очень острая. При выполнении обслуживания цепи всегда надевайте защитные перчатки.

В процессе нормальной работы пилы пильная цепь может расширяться или сжиматься. В результате изменяется натяжение цепи. Регулярно проверяйте натяжение цепи во время работы и при необходимости регулируйте.

1. Выключите бензопилу, включите тормоз цепи и отсоедините вилку питания.
2. Ослабьте гайку шины, чтобы шина могла свободно двигаться для регулировки.
3. Удерживая шину концом вверх, отрегулируйте винт натяжения таким образом, чтобы выполнялись следующие условия.
 - а) Провисание цепи в центре шины составляет около 1–2 мм (Рис. D).

- б) Отключите тормоз цепи и убедитесь, что цепь можно протянуть по шине двумя пальцами.

ПРИМЕЧАНИЕ. Выполняйте этот шаг осторожно, чтобы избежать травм. В отличие от обычной бензопилы двигатель постоянного тока содержит магнит, поэтому при протягивании цепи двумя пальцами вы почувствуете определенное сопротивление. Это не так легко, как на обычной бензопиле.

4. Удерживая шину концом вверх, затяните гайку шины.

ПРИМЕЧАНИЕ. Если провисание цепи в центре шины не составляет 1–2 мм, снова отрегулируйте натяжение цепи.

ЗАПОЛНЕНИЕ РЕЗЕРВУАРА ДЛЯ МАСЛА

1. Извлеките аккумулятор из цепной пилы.
2. Положите цепную пилу на бок на твердую плоскую поверхность так, чтобы крышка резервуара для масла была обращена вверх. Откройте крышку резервуара для масла. Если она закручена слишком туго, ослабьте ее с помощью прилагаемого комбинированного ключа (Рис. Е).
3. Аккуратно залейте масло в резервуар. Заполните резервуар до нижней части заливной горловины. Вытрите пролитое масло и закройте крышку резервуара.

ПРИМЕЧАНИЕ.

- Пила не заправляется маслом на заводе. Перед использованием инструмента необходимо залить в него масло. Цепь автоматически смазывается маслом во время использования.
- Она специально разработана для обеспечения низкого трения и быстрой резки.
- Никогда не используйте масло и другие смазочные материалы, не предназначенные специально для шин и цепей. В противном случае возможно засорение масляной системы, что может привести к преждевременному износу шины и цепи.

РЕГУЛИРОВКА ПОДАЧИ МАСЛА (Рис. F)

- Данное устройство имеет **винт регулировки подачи масла (F-1)**, расположенный снизу. Этот винт используется для регулировки потока масла для смазки цепи, шины и режущей системы. Направление для увеличения или уменьшения потока масла указано стрелками на корпусе.

СВЕТОДИОДНЫЕ ИНДИКАТОРЫ

Устройство оснащено двумя светодиодными индикаторами, которые отображают состояние системы смазки и уровень заряда аккумулятора.

Светодиодный индикатор		Значение	Действие
Индикатор низкого уровня масла (A-8)	Мигает красным	Низкий уровень масла	Залейте масло в резервуар.
	Не светится	Нормальный уровень масла	/
Индикатор аккумулятора (A-7)	Светится зеленым	Нормальный уровень заряда аккумулятора	/
	Мигает зеленым	Аккумулятор почти разряжен и его необходимо немедленно зарядить	Зарядите аккумулятор.

КРЕПЛЕНИЕ ФУТЛЯРА АККУМУЛЯТОРА К СТРАХОВОЧНОЙ СИСТЕМЕ

Эта бензопила поставляется с футляром для переноски аккумулятора, который можно прикрепить к страховочной системе (не входит в комплект).

ПРИМЕЧАНИЕ. Прежде чем надеть страховочную систему, надежно закрепите на ней футляр аккумулятора.

⚠ ПРЕДУПРЕЖДЕНИЕ. Для предотвращения возникновения аварийной ситуации необходимо подготовить страховочную систему с функцией быстрого снятия.

1. Выберите удобное место для футляра аккумулятора на страховочной системе и подвесьте футляр с помощью **ременной петли G-1** (Рис. G1).
2. Оберните петлю вокруг ремня страховочной системы, чтобы зафиксировать футляр аккумулятора на месте (Рис. G2 и G3).
3. Прикрепите два **кольца (G-2)** страховочного кабеля к ремню страховочной системы с помощью двух карабинов (не входят в комплект), как показано на Рис. G4.

G-1	Ременная петля	G-2	Кольцо
-----	----------------	-----	--------

ПРИМЕЧАНИЕ.

- При подъеме на дерево прикрепите кольца 1 и 2 страховочного кабеля к ремню страховочной системы с помощью двух карабинов (не входят в комплект), как показано на Рис. G5.
- Для использования инструмента отсоедините кольцо 2 от страховочного ремня и держите пилу двумя руками, чтобы выполнить резку (Рис. G6).

КРЕПЛЕНИЕ ИНСТРУМЕНТА К ФУТЛЯРУ АККУМУЛЯТОРА

Прикрепите **крючок N-2** страховочного кабеля к **ушку N-1** (Рис. H)

N-1	Ушко	N-2	Крючок
-----	------	-----	--------

УСТАНОВКА И ИЗВЛЕЧЕНИЕ АККУМУЛЯТОРА

ПРИМЕЧАНИЕ. Перед первым использованием полностью зарядите аккумулятор.

Установка (Рис. I1)


Совместите ребра аккумулятора с монтажными пазами, затем вставьте аккумулятор в футляр до щелчка.

Извлечение (Рис. I2)

Нажмите кнопку фиксации аккумулятора и извлеките аккумулятор.

ЗАПУСК И ОСТАНОВКА ЦЕПНОЙ ПИЛЫ

Запуск


1. Совместите метки **▲** на **вилке J-2** и разъем питания **J-1**, затем вставьте вилку в разъем таким образом, чтобы **ЗЕЛЕНЫЙ** уплотнитель на вилке **ПОЛНОСТЬЮ** вошел в разъем (Рис. J1).
2. Переключите переключатель в положение **ON** (ВКЛ) (Рис. J2).
3. Переместите ручку цепного тормоза в сторону основной рукоятки в положение .
4. Переместите **запорный язычок J-3** вперед и нажмите на **курковый регулятор скорости J-4**. Чем сильнее нажатие на курок, тем больше скорость вращения цепи (Рис. J3).

J-1	Электрический разъем	J-3	Запорный язычок
J-2	Сетевая вилка	J-4	Курковый переключатель

Остановка

1. Отпустите курок, чтобы остановить цепную пилу.

ПРИМЕЧАНИЕ. Пильная цепь продолжает вращаться в течение короткого времени после отпущения курка. Будьте осторожны, чтобы избежать контакта с цепью после отпущения курка.

2. Сдвиньте ручку цепного тормоза вперед в положение торможения .
3. Переключите переключатель в положение **OFF** (ВЫКЛ).

▲ ПРЕДУПРЕЖДЕНИЕ. Во время перерывов в работе и после ее окончания всегда отсоединяйте вилку питания от цепной пилы.

ПОДГОТОВКА К ОБРЕЗКЕ

Правильный хват (Рис. K)

- Для обеспечения крепкого захвата и максимальной защиты наденьте нескользящие перчатки.
- Всегда беритесь за переднюю рукоятку левой рукой, а за главную — правой.
- Пальцы должны плотно охватывать рукоятку, причем большой палец должен быть под передней рукояткой.

▲ ПРЕДУПРЕЖДЕНИЕ. Никогда не держитесь левой рукой за заднюю рукоятку и не работайте в положении, в котором тело или рука пересекают линию цепи.

▲ ПРЕДУПРЕЖДЕНИЕ. Не нажимайте на курковый выключатель левой рукой и держитесь правой рукой за переднюю рукоятку. Никогда не допускайте, чтобы какая-либо часть вашего тела находилась на линии цепи во время работы бензопилой (Рис. L).

ПРОВЕРКА СМАЗКИ ЦЕПИ (Рис. M)

ПРИМЕЧАНИЕ. Убедитесь, что резервуар для масла заполнен надлежащим количеством масла для цепи.

1. Расположите шину над светлой поверхностью.
2. Включите устройство. При правильной работе цепной смазки через 1 минуту на светлой поверхности будет видна четкая масляная полоса.
3. В противном случае выполните регулировку в соответствии с инструкциями в разделе «РЕГУЛИРОВКА ПОДАЧИ МАСЛА».

РАБОТА НА ДЕРЕВЕ

▲ ПРЕДУПРЕЖДЕНИЕ. При работе или подъеме рекомендуется использовать дополнительную опору, например стремя для ног или регулируемую петлю, для предотвращения раскачивания или несчастного случая при резке.

Перед использованием проверьте следующее.

- Проверьте **зубчатое колесо N-1** на наличие признаков износа. Если следы износа глубже 0,5 мм, обратитесь к дилеру EGO для замены зубчатого колеса.
- Также проверьте тормозную систему. Если **тормозные накладки N-2** имеют неравномерный износ, обратитесь к дилеру EGO для их замены (Рис. N).

N-1	Зубчатое колесо цепи	N-2	Тормозная накладка
-----	----------------------	-----	--------------------

RU

- Проверьте состояние шины. См. раздел **УХОД ЗА ШИНОЙ**.
- Проверьте цепь. См. раздел **ОБСЛУЖИВАНИЕ ЦЕПИ**.
- Проверьте тормоз цепи. См. раздел **СРЕДСТВА ЗАЩИТЫ ОТ ОТДАЧИ**

ЦЕПНОЙ ПИЛЫ.

- Проверьте органы управления. См. раздел **ЗАПУСК И ОСТАНОВКА ЦЕПНОЙ ПИЛЫ**.
- Проверьте смазку цепи. См. раздел **ПРОВЕРКА СМАЗКИ ЦЕПИ**.

ОБСЛУЖИВАНИЕ

ОЧИСТКА

- После каждого использования очищайте цепь и шину мягкой щеткой. Очищайте поверхность пилы чистой тканью, смоченной в слабом мыльном растворе.
- Для выполнения глубокой очистки снимите боковую крышку в сборе, снимите шину и пильную цепь, а затем с помощью мягкой щетки тщательно удалите загрязнения с шины, цепи и зубчатого колеса на силовом блоке пилы.
- При замене пильной цепи всегда очищайте паз шины цепи от щепок, опилок и загрязнений.

УДАЛЕНИЕ ПЫЛИ

1. Отсоедините вилку питания, дайте цепной пиле остыть и затяните крышку резервуара для масла.
2. Включите тормоз цепи.
3. С помощью прилагаемого комбинированного ключа открутите винт **крышки для защиты от пыли O-1**, чтобы открыть ее (Рис. O1).
4. Удалите опилки и стружку с помощью сжатого воздуха с противоположной стороны **воздухозаборного отверстия O-2** (Рис. O2).

O-1	Крышка для защиты от пыли	O-2	Воздухозаборное отверстие
-----	---------------------------	-----	---------------------------

УХОД ЗА ШИНОЙ

Если шина имеет признаки износа, демонтируйте ее с силового блока, переверните и установите заново (Рис. P1), чтобы распределить износ для обеспечения максимального срока службы шины.

Шину необходимо каждый день очищать (в том числе **направляющие P-1** и **смазочное отверстие P-2**) и проверять на наличие износа и повреждений (Рис. P2). Появление зазубрин и стружек на шине — нормальное явление, свидетельствующее об ее износе. Такие дефекты необходимо удалять напильником сразу

же при их обнаружении. При наличии любого из перечисленных ниже дефектов шину необходимо заменить.

Износ внутренней части шины, из-за которого цепь съезжает набок.

- Изгиб шины.
- Трещины или разрыв направляющих.
- Расширение направляющих.

На конце шины есть зубчатое колесо. Чтобы продлить срок службы шины, раз в неделю колесо необходимо смазывать из масленки (Рис. P3 и P4). Поворачивайте **переднее зубчатое колесо P-3**, закачивая **полупрозрачную желтую, полупрозрачную красную или полупрозрачную консистентную смазку в смазочное отверстие P-4**, пока все колесо не будет покрыто новой смазкой. Следите за тем, чтобы в смазочное отверстие не попала грязь.

P-1	Направляющие шины	P-3	Зубчатое колесо
P-2	Смазочное отверстие	P-4	Смазочное отверстие

RU

ОБСЛУЖИВАНИЕ ЦЕПИ

Устанавливайте на инструмент только пильные цепи с низкой отдачей. При правильном уходе цепи для быстрой резки позволяют снизить отдачу.

Правильно заточенные цепи легко распиливают дерево даже при минимальном давлении. Не используйте тупые и поврежденные цепи. Использование тупых цепей приводит к повышенной физической нагрузке на оператора, увеличению уровня вибрации, низкой эффективности работы и чрезмерному износу инструмента.

Для поддержания скорости и эффективности работы за цепью необходимо ухаживать надлежащим образом. Если опилки получаются очень мелкими и при работе выделяется много пыли, при распилке приходится прилагать слишком много усилий или линия распила получается неровной, цепь необходимо заточить. При уходе за цепью обратите внимание на следующее.

- Неправильный угол заточки режущих зубьев повышает отдачу.
- Зазор ограничительных зубьев. Слишком маленький зазор увеличивает отдачу. Недостаточно маленький зазор снижает эффективность работы инструмента.
- Если зубья цепи подвергались ударам о твердые предметы, например гвозди или камни, или износ из-за грязи или песка на заготовке, необходимо обратиться к квалифицированному специалисту для заточки цепи.

ПРИМЕЧАНИЕ. Заточку и обслуживание **пильной**

цепи рекомендуется выполнять в авторизованных сервисных центрах.

ТРАНСПОРТИРОВКА И ХРАНЕНИЕ

- Не убирайте на хранение и не переносите инструмент, когда он работает. Перед хранением и транспортировкой всегда отсоединяйте вилку питания.
- Перед транспортировкой или хранением инструмента всегда надевайте на цепь чехол. Будьте осторожны с острыми зубьями цепи.
- Прежде чем убрать пилу на хранение, тщательно очистите ее. Храните пилу в надежном сухом помещении, недоступном для детей.
- Храните вдали от источников коррозии, таких как садовые удобрения и техническая соль.

Защита окружающей среды



RU

Утилизация отходов электрического и электронного оборудования (WEEE). Не выбрасывайте электроприборы, зарядные устройства и аккумуляторные батареи вместе с бытовыми отходами!

Отправьте данное изделие на переработку в специализированное предприятие или сдайте его для раздельного сбора.

Электроинструменты должны быть возвращены на перерабатывающее предприятие, не наносящее ущерба окружающей среде.

УСТРАНЕНИЕ НЕПОЛАДOK

ПРОБЛЕМА	ПРИЧИНА	РЕШЕНИЕ
Двигатель не запускается.	<ul style="list-style-type: none"> ■ Вилка питания футляра аккумулятора не подсоединена к бензопиле. ■ Нет электрического контакта между футляром и аккумулятором. ■ Запорный язычок не находится в правильном положении. ■ Переключатель находится в положении OFF (ВЫКЛ). ■ Сработал цепной тормоз. 	<ul style="list-style-type: none"> ■ Вставьте вилку питания футляра аккумулятора в бензопилу. ■ Извлеките аккумулятор, проверьте контакты и установите его снова. ■ Сложите запорный язычок перед запуском. ■ Переведите переключатель в положение ON (ВКЛ). ■ Переведите ручку цепного тормоза в рабочее положение, потянув ее в сторону верхней рукоятки.
Цепная пила останавливается во время работы.	<ul style="list-style-type: none"> ■ Перегрев аккумуляторной батареи или пилы. ■ Пила перегружена. ■ Вентиляционный канал заблокирован стружкой и опилками. ■ Аккумулятор разряжен. 	<ul style="list-style-type: none"> ■ Остудите аккумулятор или пилу. ■ Уменьшите нагрузку. ■ Удалите пыль в соответствии с инструкциями в разделе УДАЛЕНИЕ ПЫЛИ. ■ Зарядите аккумулятор.
Не срабатывает цепной тормоз.	<ul style="list-style-type: none"> ■ Ручка цепного тормоза не может свободно двигаться из-за мусора. ■ Тормозная система неисправна. 	<ul style="list-style-type: none"> ■ Очистите мусор снаружи механизма цепного тормоза. ■ Обратитесь в службу поддержки клиентов EGO для ремонта.
Отсутствие смазки цепи во время работы.	<ul style="list-style-type: none"> ■ Резервуар для масла пуст. ■ Масловыпускное отверстие шины заблокировано. ■ Масло застыло из-за низкой температуры. 	<ul style="list-style-type: none"> ■ Заправьте инструмент маслом. ■ Удалите пыль из масловыпускного отверстия. ■ Используйте масло, подходящее для низких температур.
Индикатор низкого уровня масла мигает красным, несмотря на то что резервуар заполнен маслом.	<ul style="list-style-type: none"> ■ Устройство используется под таким углом, что масло не попадает из резервуара в маслопровод. ■ Используется нерекондуемое масло. ■ Индикатор низкого уровня масла все еще мигает красным. 	<ul style="list-style-type: none"> ■ Расположите инструмент горизонтально и повторите попытку. ■ Используйте рекомендованное полупрозрачное желтое, полупрозрачное красное или полупрозрачное масло. ■ Обратитесь в службу поддержки клиентов EGO для ремонта.
Индикатор низкого уровня масла не реагирует на недостаток масла в резервуаре.	<ul style="list-style-type: none"> ■ Не удается определить тип используемого масла. ■ Небольшое количество масла все еще в резервуаре или маслопроводе. ■ Индикатор низкого уровня масла по-прежнему не работает по вышеуказанным причинам. 	<ul style="list-style-type: none"> ■ Используйте рекомендованное полупрозрачное желтое, полупрозрачное красное или полупрозрачное масло. ■ Некоторое время используйте бензопилу, а затем снова проверьте состояние индикатора низкого уровня масла. ■ Обратитесь в службу поддержки клиентов EGO для ремонта.

RU

ГАРАНТИЯ

ГАРАНТИЙНАЯ ПОЛИТИКА EGO

Посетите веб-сайт egopowerplus.eu чтобы ознакомиться со всеми условиями и сроками гарантийной политики EGO.

PRZECZYTAJ WSZYSTKIE INSTRUKCJE!



PRZECZYTAJ INSTRUKCJĘ OBSŁUGI

SYMBOL BEZPIECZEŃSTWA

Celem symboli bezpieczeństwa jest zwrócenie uwagi użytkownika na możliwe zagrożenia. Symbole bezpieczeństwa i objaśnienia do nich zasługują na to, aby je uważnie przestudiować i zrozumieć. Symbole bezpieczeństwa nie eliminują same z siebie jakichkolwiek zagrożeń. Podawane w nich instrukcje i ostrzeżenia nie zastępują odpowiednich środków zapobiegania wypadkom.

⚠ OSTRZEŻENIE: Przed użyciem narzędzia należy koniecznie przeczytać ze zrozumieniem wszystkie instrukcje dotyczące bezpieczeństwa podane w podręczniku użytkownika, łącznie z wszystkimi symbolami ostrzegawczymi takimi jak „NIEBEZPIECZEŃSTWO”, „OSTRZEŻENIE” i „OSTROŻNIE”. Niestosowanie się do wszystkich podanych niżej instrukcji może doprowadzić do porażenia prądem, pożaru i/lub poważnych urazów ciała.

ZNACZENIE SYMBOLI

Na tej stronie pokazano i opisano symbole bezpieczeństwa, które mogą występować na produkcie. Przed podjęciem próby złożenia i użycia urządzenia należy przeczytać i zrozumieć wszystkie instrukcje dotyczące narzędzia oraz zastosować się do nich.

PL

SAFETY SYMBOLS



Ostrzeżenie dotyczące bezpieczeństwa



Noś solidne rękawice robocze wykonane z wytrzymałego materiału



Noś obuwie ochronne z podeszwami antypoślizgowymi



Uwaga na możliwość odbicia - Unikaj dotykania cze-
gokolwiek czubkiem prowadnicy



Odbicie czubka prowadnicy - Dotknięcia czubka
prowadnicy może doprowadzić do gwałtownego prze-
mieszczenia się prowadnicy w górę i do tyłu, co może
doprowadzić do poważnych obrażeń.

UK
CA

Produkt jest zgodny z obowiązującym ustawodawstwem
Wielkiej Brytanii.



Garantowany poziom mocy akustycznej.

CE

Ten produkt jest zgodny z obowiązującymi dyrektywami
WE.

IPX5 Ochrona przed strumieniami wody



Aby zmniejszyć ryzyko urazów, przed rozpoczęciem
używania urządzenia, użytkownik musi przeczytać i
zrozumieć instrukcję.



Noś przylegającą do ciała odzież. Nie noś chust, szalików,
krawatów ani biżuterii



Noś ściśle przylegające okulary ochronne, ochronniki
słuchu lub nauszniki ochronne oraz kask ochronny z
paskiem na podbródek



Trzymanie oburącz - Podczas używania pilarki zawsze
używaj obu rąk.



Informacje o prowadnicy.



Zużytych wyrobów elektrycznych nie należy wyrzucać
razem ze zwykłymi odpadami domowymi. Należy je
oddać do autoryzowanego punktu recyklingu.

V Wolt

☰ Prąd stały

SPECYFIKACJA

Napięcie	56 V	
Zalecana temperatura użytkowania:	-15°C-40°C	
Zalecana temperatura przechowywania:	-40°C-70°C	
Optymalna temperatura ładowania	5°C-40°C	
Długość cięcia	300 mm	
Prędkość łańcucha	20 m/s	
Podziałka łańcucha	3/8" (9,5 mm)	
Grubość łańcucha	1,1 mm	
Rodzaj łańcucha tnącego	AC1200 (zalecana) AC1400/AC1401 (kompatybilna) AC1600/AC1601 (kompatybilna)	
Rodzaj prowadnicy	AG1200 (zalecana) AG1400/AG1401 (kompatybilna) AG1600/AG1601 (kompatybilna)	
Podziałka łańcuchowa	3/8" (9,5 mm)	
Szerokość rowka	1.1 mm	
Liczba zębów zębátky napędowej	6	
Pojemność zbiornika oleju do łańcucha	250 ml	
Ciężar (bez akumulatora i osłony łańcucha)	3,5 kg	
Zmierzony poziom mocy akustycznej L_{WA}	98,8 dB(A) K=3 dB(A)	
Poziom ciśnienia akustycznego w pozycji pracy L_{PA}	88,1 dB(A) K=3 dB(A)	
Gwarantowany poziom mocy akustycznej L_{WA} (zgodnie z dyrektywą 2000/14/WE)	102 dB(A)	
Drgania a_h	Uchwyt przedni	1,73 m/s ² K= 1,5 m/s
	Uchwyt główny	2,21 m/s ² K= 1,5 m/s

- Deklarowana całkowita wartość drgań została zmierzona zgodnie ze standardowymi metodami testowania i może służyć do porównywania różnych narzędzi.
- Deklarowana całkowita wartość drgań może również służyć do wstępnej oceny narażenia na drgania.

UWAGA: Emisja dźwięku podczas rzeczywistego stosowania elektronarzędzia może różnić się od deklarowanej wartości, w której narzędzie jest używane. Aby się zabezpieczyć, w rzeczywistych warunkach użytkowania użytkownik powinien nosić rękawice i nauszniki ochronne.

OPIS

ZAPOZNANIE SIĘ Z PILARKĄ (Rys. A1)

1. Łańcuch tnący
2. Dźwignia hamulca łańcucha
3. Dźwignia odblokowująca
4. Uchwyt główny
5. Włącznik spustowy z regulacją prędkości
6. Otwór
7. Kontrolka akumulatora
8. Kontrolka niskiego poziomu oleju
9. Uchwyt przedni
10. Zakrętka zbiornika oleju
11. Prowadnica
12. Otwór do smarowania
13. Zębátka
14. Śruba napinająca
15. Przełącznik zabezpieczający WŁ.-WYŁ.
16. Śruba prowadnicy
17. Nakrętka prowadnicy
18. Zespół osłony prowadnicy
19. Osłona śruby regulacji przepływu oleju
20. Osłona do usuwania pyłu
21. Mechanizm odłączania
22. Styki elektryczne
23. Przycisk odblokowujący akumulator
24. Zaczep na pasek
25. Klamra
26. Pasek
27. Pasek z przewodem
28. Pierścień 1
29. Zaczep piły
30. Wtyczka zasilania
31. Pierścień 2
32. Osłona łańcucha
33. Klucz wielofunkcyjny

LISTA ELEMENTÓW W OPAKOWANIU (RYS. A1) MONTAŻ

ZAKŁADANIE/ZDEJMOWANIE PROWADNICZY I ŁAŃCUCHA

PL


⚠ OSTRZEŻENIE: Przed rozpoczęciem montażu lub prac konserwacyjnych przy urządzeniu należy zawsze najpierw wyjąć wtyczkę zasilania i założyć rękawice ochronne.

⚠ OSTRZEŻENIE: Prosimy przeczytać wszystkie ostrzeżenia i instrukcje oraz przestudiować specyfikację i ilustracje dostarczone wraz z elektronarzędziem.

Niestosowanie się do wszystkich podanych niżej instrukcji może doprowadzić do porażenia prądem, pożaru i/lub poważnych obrażeń.

⚠ OSTRZEŻENIE: Należy koniecznie zamawiać prowadnicę i łańcuch tnący określone w niniejszej instrukcji. Niezastosowanie się do tego zalecenia może doprowadzić do poważnych urazów.

Prosimy zachować na przyszłość wszystkie ostrzeżenia i instrukcje.

1. Upewnić się, że dźwignia hamulca łańcucha jest ustawiona w pozycji .
2. Odkręcić nakrętkę prowadnicy (A-17) w lewo (przeciwnie do kierunku ruchu wskazówek zegara), aby zdjąć zespół osłony prowadnicy (A-18).
3. Położyć łańcuch pilarki w postaci pętli na płaskiej powierzchni i wyprostować wszelkie splecione miejsca. (Rys. B1)
4. Włożyć ogniwa przesuwające (B-1) w rowek (B-2) na prowadnicy w taki sposób, aby z tyłu prowadnicy łańcuch utworzył pętlę. (Rys. B2)
5. Przytrzymać łańcuch w odpowiedniej pozycji na prowadnicy i nałożyć pętlę na zębatkę łańcucha (B-3) głowicy napędowej. Sprawdzić następujące elementy (Rys. B3):
 - a) Ogniwa przesuwające łańcuch są osadzone na zębach zębatego łańcucha (B-3).
 - b) Śruba napinająca (B-4) i śruba prowadnicy (B-5) wchodzi w otwór w prowadnicy. Bolec napinający (B-6) jest włożony w otwór w prowadnicy.

UWAGA: Strzałki na zębach łańcucha tnącego muszą być zawsze skierowane do przodu (Rys. B3).

6. W celu prawidłowego założenia łańcucha tak, aby się nie klinował należy zapoznać się z częścią „NAPINANIE ŁAŃCUCHA PIŁY”.
7. Dopasować dwa pręty naprowadzające (B-7) zespołu osłony prowadnicy do otworów (B-8) w pilarce, a następnie nałożyć zespół osłony prowadnicy. (Rys. B4)
8. Dokręcić nakrętkę prowadnicy.

B-1	Ogniwa przesuwające łańcuch	B-5	Śruba prowadnicy
B-2	Rowek	B-6	Bolec napinający

B-3	Zębatka łańcucha	B-7	Pręty naprowadzające
B-4	Śruba napinająca	B-8	Otwory

UWAGA: Jeśli prowadnica wymaga wymiany, należy zdjąć zespół osłony prowadnicy i założyć go z powrotem z nową prowadnicą, tak jak pokazano na Rys. C.

UŻYTKOWANIE

Przed każdym użyciem należy skontrolować cały produkt pod kątem ewentualnych uszkodzeń, brakujących lub poluzowanych części takich jak śruby, nakrętki itp. Wszystkie elementy mocujące i nakrętki należy mocno dokręcić. Produktu nie należy włączać do czasu aż wszystkie brakujące lub uszkodzone części nie zostaną wymienione.

⚠ OSTRZEŻENIE: Niektóre przepisy krajowe mogą nakładać ograniczenia dotyczące używania maszyny.

⚠ OSTRZEŻENIE: Prosimy nie używać maszyny, gdy użytkownik jest zmęczony, chory lub pod wpływem alkoholu lub narkotyków.

UWAGA: W przypadku utraty kontroli nad maszyną, np. w przypadku odbicia, należy natychmiast wyłączyć zasilanie.

ZASTOSOWANIE

Produkt może być używany podczas deszczu.

- Ta pilarka została zaprojektowana specjalnie do pielęgnacji i przycinania drzew.



Pilarki powinny używać wyłącznie osoby specjalnie przeszkolone w zakresie pielęgnacji drzew.

UWAGA: Zaleca się, aby jako minimum nowy użytkownik najpierw nabrał choć trochę praktyki w pilowaniu bali na koźle lub stojaku.

NAPINANIE ŁAŃCUCHA PIŁY

⚠ OSTRZEŻENIE: Nigdy nie należy dotykać ani regulować łańcucha przy włączonym silniku. Łańcuch piły jest bardzo ostry, w czasie prac konserwacyjnych przy łańcuchu należy zawsze nosić rękawice ochronne.

W czasie zwykłego użytkowania piły jej łańcuch rozszerza się i kurczy. W efekcie zmienia się napięcie łańcucha. W czasie pracy należy regularnie kontrolować i w razie potrzeby regulować napięcie łańcucha.

1. Wyłączyć pilarkę, zaciągnąć hamulec łańcucha i odłączyć wtyczkę zasilania.
2. Poluzować nakrętkę prowadnicy, tak aby prowadnica mogła się swobodnie poruszać na potrzeby przyszłej regulacji.

3. Ustawić prowadnicę czubkiem do góry i wyregulować śrubę napinającą, aż spełnione zostaną następujące warunki:
 - a) Luz łańcucha na środku prowadnicy musi wynosić około: 1 - 2 mm (Rys. D).
 - b) Zwolnić hamulec łańcucha, dopilnować, aby łańcuch można było przesuwając po prowadnicy dwoma palcami.

UWAGA: Aby uniknąć urazów, krok ten należy wykonać ostrożnie. Ponieważ silnik staloprowadowy zawiera elementy namagnesowane, które nie występują w pilarkach z konwencjonalnym silnikiem spalinyowym, podczas przesuwania łańcucha tnącego dwoma palcami powinno dać się wyczuć pewien opór. Łańcuch przesuwa się równie lekko jak w pilarkach spalinyowych.

4. Przytrzymać uniesiony czubek u góry i dokręcić nakrętkę prowadnicy.

UWAGA: Jeśli luz łańcucha na środku prowadnicy nie wynosi 1 - 2 mm, należy wyregulować napięcie łańcucha.

NALEWANIE OLEJU DO ZBIORNIKA

1. Odłączyć akumulator od pilarki.
2. Położyć pilarkę na boku na twardej, płaskiej powierzchni w taki sposób, aby korek zbiornika oleju był skierowany do góry. Odkręcić korek zbiornika oleju. Jeśli jest zbyt mocno zakręcony, do poluzowania go użyć głowicy szczelinowej klucza wielofunkcyjnego (w zestawie) (Rys. E)
3. Ostrożnie nalać oleju do zbiornika oleju. Napełnić zbiornik aż po dolną krawędź szyjki wlewu. Wytrzeć ewentualne plamy rozlanego oleju i zakręcić korek.

UWAGA

- W momencie zakupu w pilarce nie ma oleju. Bardzo ważne jest, aby przed użyciem wlać olej do zbiornika na olej. W czasie pracy łańcuch jest automatycznie smarowany olejem do łańcucha.
- Jest ona specjalnie zaprojektowana, aby zmniejszać tarcie i przyspieszać pilowanie.
- Nigdy nie należy używać oleju lub innych smarów, które nie są specjalnie zaprojektowane do smarowania prowadnicy i łańcucha. Mogłoby to skutkować zatknięciem się układu olejowego, co mogłoby doprowadzić do przedwczesnego zużycia prowadnicy i łańcucha.

REGULACJA PRZEPŁYWU OLEJU (Rys. F)

- Pilarka posiada **śrubę regulacji przepływu oleju (F-1)**, która znajduje się u dołu narzędzia; śruba ta służy do regulacji przepływu oleju smarującego łańcuch, prowadnicę i układ pilowania. Przepływ oleju zwiększa

się lub zmniejsza zgodnie z kierunkiem zaznaczonym strzałkami na obudowie.

KONTROLKA LED NA PILARCE

Pilarka jest wyposażona w 2 kontrolki LED, która pokazują poziom oleju i stan naładowania akumulatora/ów.

Kontrolka LED		Znaczenie	Działanie
Kontrolka niskiego poziomu oleju (A-8)	Miga na czerwono	Za mało oleju	Uzupelić olej w zbiorniku oleju
	Nie świeci	Poprawny poziom oleju	/
Kontrolka akumulatora (A-7)	Świeci na zielono	Akumulator jest naładowany	/
	Miga na zielono	Akumulator jest niemal całkowicie rozładowany i wymaga natychmiastowego naładowania.	Naładować akumulator

PL

MOCOWANIE UCHWYTU NA AKUMULATOR DO UPRZĘŻY WSPINACZKOWEJ

Pilarka jest wyposażona w uchwyt na akumulator, który służy do noszenia akumulatora i który można zamocować do uprząży wspinaczkowej (do dokupienia osobno).

UWAGA: Uchwyt na akumulator należy pewnie zamocować do uprząży wspinaczkowej jeszcze przed jej założeniem.

⚠ OSTRZEŻENIE: Uprząż wspinaczkowa z funkcją szybkiego zwolnienia musi być przygotowana w razie wystąpienia sytuacji awaryjnej.

1. Należy wybrać optymalne miejsce do zawieszenia uchwytu na akumulator na uprząży wspinaczkowej i zawiesić uchwyt na uprząży za pomocą **zaczepu na pasek (G-1)** (Rys. G1)
2. Owinąć pasek wokół uprząży, aby zamocować uchwyt na akumulator (Rys. G2 i G3).
3. Zamocować karabinkami (do dokupienia osobno) dwa **pierścienie (G-2)** paska zabezpieczającego do uprząży, tak jak na Rys. G4.

G-1	Zaczep na pasek	G-2	Pierścienie
-----	-----------------	-----	-------------

UWAGA:

- Podczas wspinania się na drzewo należy karabinkami (do dokupienia osobno) zamocować do uprząży pierścienie 1 i 2 paska zabezpieczającego (Rys. G5).

- Gdy narzędzie będzie używane, należy odczepić pierścien 2 od uprząży i chwycić pilarkę oburącz, aby wykonać cięcie (Rys. G6).

MOCOWANIE PIŁY DO UCHWYTU NA AKUMULATOR

Należy zamocować **zaczep piły (H-2)** paska zabezpieczającego do **otworu (H-1)**. (Rys. H)

H-1	Otwór	H-2	Zaczep Piły
-----	-------	-----	-------------

ZAKŁADANIE/WYJMOWANIE AKUMULATORA

UWAGA: Przed pierwszym użyciem należy całkowicie naładować akumulator.

Zakładanie (Rys. I1)

Należy dopasować żebra akumulatora do szczelin mocujących, po czym wsunąć akumulator w uchwyt na akumulator, aż zaskoczy w odpowiedniej pozycji.

Wyjmowanie (Rys. I2)

Należy nacisnąć kciukiem przycisk odblokowujący akumulator i wysunąć akumulator.

PL

WŁĄCZANIE/WYŁĄCZANIE PILARKI

Włączanie

1. Dopasować oznaczenia „▲” na **wtyczce zasilania (J-2)** do **gniazda elektrycznego (J-1)** pilarki, następnie włożyć wtyczkę w pilarkę, aż zielona uszczelka na wtyczce CAŁKOWICIE zniknie w gnieździe (Rys. J1).
2. Przeszawić przełącznik „WŁ./WYŁ.” w pozycję „WŁ.” (Rys. J2).
3. Pociągnąć dźwignię hamulca łańcucha w kierunku uchwyty głównego, w pozycję
4. Przeszawić **dźwignię odblokowującą (J-3)** do przodu i nacisnąć **przełącznik spustowy z regulacją prędkości (J-4)**. Im bardziej włącznik spustowy zostanie pociągnięty do góry, tym wyższa będzie prędkość obrotowa łańcucha pilarki (Rys. J3).

J-1	Gniazdko elektryczne	J-3	Dźwignia odblokowująca
J-2	Wtyczka zasilania	J-4	Przełącznik spustowy z regulacją prędkości

Wyłączanie

1. Aby zatrzymać pilarkę, wystarczy puścić włącznik spustowy.

UWAGA: Po puszczeniu włącznika spustowego łańcuch pilarki będzie się nadal przez chwilę kręcił. Należy uważać,

aby go nie dotknąć po puszczeniu włącznika spustowego oraz przy odkładaniu pilarki.

2. Popchnąć dźwignię hamulca łańcucha do przodu w pozycję hamulca „
- 3. Przeszawić przełącznik „WŁ./WYŁ.” w pozycję „WYŁ.”

▲ OSTRZEŻENIE: W czasie przerw w pracy i po zakończeniu pracy należy zawsze odłączać wtyczkę zasilania od pilarki.

PRZYGOTOWANIE DO PIŁOWANIA

Prawidłowe trzymanie uchwytów (Rys. K)

- Aby zapewnić optymalne trzymanie i maksymalną ochronę, należy zakładać rękawice antypoślizgowe.
- Należy zawsze chwytać przedni uchwyt lewą ręką, a główny uchwyt prawą.
- Palce powinny obejmować uchwyt, a kciuk należy umieścić pod przednim uchwytem.

▲ OSTRZEŻENIE: Nigdy nie należy chwytać odwrotnie (na krzyż) lub ustawiać się w pozycji, w której ciało lub ramię znajdowałoby się na linii łańcucha.

▲ OSTRZEŻENIE: Nie należy obsługiwać włącznika spustowego lewą ręką i trzymać uchwytu przedniego prawą. Nigdy nie należy pozwalać, aby w czasie używania pilarki jakakolwiek część ciała znajdowała się na linii poruszania się łańcucha (Rys. L).

SPRAWDZANIE SMAROWANIA ŁAŃCUCHA (Rys. M)

UWAGA: Dopilnować, aby do zbiornika na olej w pilarkę nalana została odpowiednia ilość oleju do smarowania łańcuchów.

1. Przytrzymać prowadnicę nad jasną powierzchnią.
2. Włączyć pilarkę. Jeśli smarowanie łańcucha działa prawidłowo, po 1 minucie na jasnej powierzchni będzie można zaobserwować wyraźną linię oleju.
3. Jeśli olej smarujący łańcuch nie jest na jasnej powierzchni widoczny, należy zapoznać się z częścią „REGULACJA PRZEPŁYWU OLEJU” i przeprowadzić regulację.

UŻYWANIE NA DRZEWIE

▲ OSTRZEŻENIE: W czasie pracy lub wspinania się, aby nie dopuścić do wahnięcia się narzędzia lub wypadku przy piłowaniu, zaleca się używać dodatkowego podparcia, takiego jak np. strzemień na stopę lub regulowany sznurek.

Przed użyciem należy sprawdzić następujące kwestie:

- Sprawdzić znaczniki zużycia na **zębacie łańcucha**

(N-1). Jeśli są głębsze niż 0,5 mm: skontaktować się z serwisem EGO w celu wymiany zębátki łańcucha.

- Należy także sprawdzić system hamulca, jeśli znaczniki zużycia na **okładzinie hamulca (N-2)** są nierówne, należy skontaktować się z serwisem EGO w celu jej wymiany. (Rys. N)

N-1	Zębátka łańcucha	N-2	Okładzina hamulca
-----	------------------	-----	-------------------

- Sprawdzanie prowadnicy - patrz poświęcona temu część: **KONSERWACJA PROWADNICY**
- Sprawdzanie łańcucha pilarki - patrz poświęcona temu część: **KONSERWACJA ŁAŃCUCHA**
- Testowanie hamulca łańcucha - patrz poświęcona temu część: **UKŁADY ZABEZPIECZAJĄCE PRZED ODBICIEM W TEJ**

PILARCE ŁAŃCUCHOWEJ

- Sprawdzanie elementów sterujących - patrz poświęcona temu część: **WŁĄCZANIE/WYŁĄCZANIE PILARKI**
- Sprawdzanie smarowania łańcucha - patrz poświęcona temu część: **SPRAWDZANIE SMAROWANIA ŁAŃCUCHA**

KONSERWACJA

CZYSZCZENIE

- Po każdym użyciu należy miękką szczoteczką usunąć zanieczyszczenia z łańcucha i prowadnicy. Powierzchnię pilarki należy przetrzeć czystą szmatką zwilżoną roztworem delikatnego mydła.
- W celu gruntownego wyczyszczenia narzędzia należy zdjąć osłonę boczną, łańcuch i prowadnicę i miękką szczoteczką dokładnie usunąć zanieczyszczenia z prowadnicy, łańcucha oraz zębátki napędowej w głowicy napędu pilarki.
- Przy wymianie łańcucha tnącego należy zawsze usunąć z rowka prowadnicy drzazgi, wióry i zanieczyszczenia.

USUWANIE PYŁU

- Odlączyć wtyczkę zasilania i pozwolić, aby pilarka ostygła, dokręcić korek zbiornika oleju.
- Zaciągnąć hamulec pilarki
- Do poluzowania śruby **osłony do usuwania pyłu (O-1)** użyć klucza wielofunkcyjnego (w zestawie) (Rys. O1).
- Usunąć pył z pilowania i wióry nagromadzone w żeberkach chłodzących - w tym celu użyć suchego sprężonego powietrza. Wydymać je przez **włot powietrza (O-2)** z drugiej strony. (Rys. O2).

O-1	Oslona do usuwania pyłu	O-2	Włot powietrza
-----	-------------------------	-----	----------------

KONSERWACJA PROWADNICY

Gdy prowadnica wykazuje ślady zużycia, należy ją wymontować z głowicy napędowej pilarki, odwrócić i zamontować ponownie (Rys. P1). W ten sposób jej zużycie się rozkłada się równomiernie, przez co czas użytkowania jest maksymalny.

Prowadnicę należy czyścić (łącznie z **szynami prowadnicy (P-1)** i **otworem do smarowania (P-2)**) każdego dnia pracy, jednocześnie należy ją kontrolować pod kątem zużycia i uszkodzenia (Rys. P2). Szczerbienie się lub powstawanie wżerów na szynach prowadnicy jest normalnym procesem zużywania się. Tego typu defekty należy wygładzać pilnikiem natychmiast gdy się pojawiają. Prowadnicę z następującymi defektami należy wymienić: Zużycie od środka szyn prowadnicy, pozwalające łańcuchowi zsuwać się na boki.

- Wygięta prowadnica.
- Pęknięte lub uszkodzone szyny.
- Rozgięte szyny.

Prowadnica ma na końcu zębátkę. Zębátka ta musi być co tydzień smarowana strzykawką olejową – przedłużyć to czas użytkowania prowadnicy (Rys. P3 i P4). Przekręcić **zębátkę przednią (P-3)** jednocześnie pompując olej półprzezroczysty żółty, **półprzezroczysty czerwony lub półprzezroczysty do otworu do smarowania (P-4)**, aż cała zębátka zostanie pokryta świeżym smarem. Nie należy wciskać zanieczyszczeń do otworu.

P-1	Szyny prowadnicy	P-3	Zębátka
P-2	Otwór do smarowania	P-4	Otwór do smarowania

KONSERWACJA ŁAŃCUCHA

W tej pilarcie należy używać wyłącznie łańcuchów o małej podatności na odbicie. Pod warunkiem prawidłowej pielęgnacji, tego typu szybkotnący łańcuch ogranicza ryzyko odbicia.

Prawidłowo naostrzony łańcuch pilarki bez trudu przecina drewno, nawet jeśli się go tylko bardzo lekko dociska. Nigdy nie należy używać tępego lub uszkodzonego łańcucha tnącego. Tępy łańcuch pilarki zwiększa wysiłek fizyczny, prowadzi do większych drgań i niezadawalających efektów pracy, a także przyspiesza zużywanie się podzespołów.

Aby gładko i szybko ciąć, łańcuch musi być właściwie utrzymywany. Jeśli wióry stają się małe i tworzy się dużo pyłu, a w czasie pilowania łańcuch trzeba mocno dociskać lub jeśli łańcuch tnie tylko z jednej strony, oznacza to, że trzeba go naostrzyć. Podczas prac konserwacyjnych przy łańcuchu należy uwzględnić następujące fakty:

- Niewłaściwy kąt szlifowania płytek bocznych pilnikiem zwiększa ryzyko silnego odbicia.
- Prześwit miernika głębokości. Zbyt mały zwiększa ryzyko odbicia. Za wysoki zmniejsza zdolność cięcia.

- Jeśli zęby tnące uderzyły w twarde przedmioty, takie jak np. gwoździe i kamienie, lub jeśli starły się od błota lub piasku znajdującego się na drewnie, łańcuch należy oddać do naostrzenia wykwalifikowanemu technikowi serwisu.

UWAGA: Zaleca się, aby ostrzenie łańcucha tnącego i czynności konserwacyjne przy nim wykonywać w autoryzowanych punktach obsługi.

TRANSPORT I PRZECHOWYWANIE

- Pilarki nie należy chować ani transportować w czasie, gdy urządzenie pracuje. Przed schowaniem lub transportowaniem należy zawsze odłączyć wtyczkę zasilania.
- Przed schowaniem lub transportowaniem pilarki należy zawsze założyć osłonę na prowadnicę. Prosimy zachować ostrożność, aby nie skaleczyć się zębami łańcucha.
- Przed schowaniem pilarkę należy dokładnie wyczyścić. Pilarkę należy przechowywać w suchym pomieszczeniu zamkniętym i/lub niedostępnym dla dzieci.
- Wyrób należy chronić przed żrącymi substancjami takimi jak chemia ogrodnicza i sól do usuwania lodu.

PL

Ochrona środowiska



WEEE (Zużyty sprzęt elektryczny i elektroniczny) Urządzeń elektrycznych, zużytych akumulatorów i ładowarki nie należy wyrzucać do zwykłych zmieszanych śmieci domowych! Produkt należy oddać do zbiórki selektywnej w autoryzowanym punkcie recyklingu. Elektronarzędzia należy oddawać do przyjaznego dla środowiska zakładu recyklingu.

ROZWIĄZYWANIE PROBLEMÓW

PROBLEM	PRZYCZYNA	ROZWIĄZANIE
Silnik nie włącza się.	<ul style="list-style-type: none"> ■ Wtyczka zasilania uchwytu ma akumulator nie jest przymocowana do pilarki. ■ Brak połączenia elektrycznego między uchwytem na akumulator a akumulatorem. ■ Dźwignia odblokowująca nie jest złożona. ■ Przełącznik „WL./WYL.” jest ustawiony w pozycji „WYL.”. ■ Zaciągnięty hamulec łańcucha. 	<ul style="list-style-type: none"> ■ Włożyć wtyczkę zasilania uchwytu ma akumulator do pilarki. ■ Odłączyć akumulator, sprawdzić styki i założyć akumulator z powrotem. ■ Przed włączeniem złożyć dźwignię odblokowującą. ■ Przeszawić przełącznik „WL./WYL.” w pozycję „WL.”. ■ Pociągnąć dźwignię hamulca łańcucha w tył do uchwytu górnego, do pozycji roboczej.
Pilarka zatrzymuje się w czasie pracy.	<ul style="list-style-type: none"> ■ Akumulator lub pilarka jest zbyt gorący/-a. ■ Pilarka jest przeciążona. ■ Zbyt duża ilość wirów zapycha kanał wentylacyjny. ■ Akumulator jest rozładowany. 	<ul style="list-style-type: none"> ■ Pozwolić, aby akumulator lub pilarka ostygły ■ Zmniejszyć obciążenie. ■ Usunąć pył - patrz część „USUWANIE PYŁU”. ■ Naładować akumulator
Nie włącza się hamulec łańcucha	<ul style="list-style-type: none"> ■ Zanieczyszczenia uniemożliwiają pełne przestawienie dźwigni hamulca łańcucha ■ Być może hamulec łańcucha nie działa prawidłowo 	<ul style="list-style-type: none"> ■ Usunąć zanieczyszczenia z zewnętrznego mechanizmu hamulca łańcucha ■ Skontaktować się z punktem obsługi klienta EGO w celu dokonania naprawy.
Brak smarowania olejem podczas pilowania.	<ul style="list-style-type: none"> ■ Zbiornik na olej jest pusty. ■ Zatkany wylot oleju smarującego prowadnicę łańcucha ■ Stężenie oleju w niskiej temperaturze 	<ul style="list-style-type: none"> ■ Nasmarować smarem prowadnicę i łańcuch. ■ Usunąć pył w wylocie oleju. ■ Zmienić olej smarujący na właściwy (odpowiedni do niskich temperatur)
Kontrolka niskiego poziomu oleju miga na czerwono lub świeci nietypowo, podczas gdy w zbiorniku na olej jest olej.	<ul style="list-style-type: none"> ■ Używanie narzędzia pod nietypowym kątem sprawia, że olej w zbiorniku na olej nie dochodzi do przewodu olejowego. ■ Kategoria i kolor oleju są inne niż zalecane. ■ Kontrolka niskiego poziomu oleju nadal miga na czerwono. 	<ul style="list-style-type: none"> ■ Ustawić pilarkę poziomo i spróbować ponownie. ■ Użyć zalecanego oleju półprzezroczystego żółtego, półprzezroczystego czerwonego lub półprzezroczystego ■ Skontaktować się z punktem obsługi klienta EGO w celu dokonania naprawy
Kontrolka niskiego poziomu oleju nie świeci, a w zbiorniku na olej jest za mało oleju.	<ul style="list-style-type: none"> ■ Brak możliwości ustalenia kategorii i koloru oleju. ■ Niewielka ilość oleju nadal znajduje się w przewodzie olejowym ■ Kontrolka niskiego poziomu oleju nadal nie działa z powyższych powodów. 	<ul style="list-style-type: none"> ■ Użyć zalecanego oleju półprzezroczystego żółtego, półprzezroczystego czerwonego lub półprzezroczystego ■ Używać pilarki przez chwilę, a potem ponownie sprawdzić kontrolkę niskiego poziomu oleju ■ Skontaktować się z punktem obsługi klienta EGO w celu dokonania naprawy.

PL

GWARANCJA

POLITYKA GWARANCYJNA EGO

W celu zapoznania się z wszystkimi warunkami polityki gwarancyjnej EGO prosimy odwiedzić stronę egopowerplus.eu.

PŘEČTĚTE SI VŠECHNY POKYNY!



PŘEČTĚTE SI NÁVOD K OBSLUZE

BEZPEČNOSTNÍ SYMBOL

Účelem bezpečnostních symbolů je upoutat vaši pozornost k případným nebezpečím. Bezpečnostní symboly a jejich vysvětlení vyžadují vaši zvýšenou pozornost a porozumění. Výstražné symboly samy o sobě nevyklučují žádné nebezpečí. Pokyny a varování, zde uvedené, nejsou náhradou vhodných opatření pro prevenci úrazů.

⚠ VAROVÁNÍ: Před použitím tohoto nářadí si přečtěte a seznámte se se všemi bezpečnostními pokyny uvedenými v tomto návodu k obsluze včetně veškerých výstražných symbolů jako např. „**NEBEZPEČÍ**“, „**VAROVÁNÍ**“ a „**UPOZORNĚNÍ**“. Nedodržení níže uvedených pokynů může mít za následek úraz elektrickým proudem, požár a/nebo vážná zranění osob.

VÝZNAM SYMBOLŮ

Na této stránce jsou zobrazeny a popsány bezpečnostní symboly, které se mohou na výrobku objevit. Před montáží a provozem si přečtěte, seznámte se a dodržujte veškeré pokyny související s nářadím.

BEZPEČNOSTNÍ SYMBOLY

CZ



Bezpečnostní upozornění



Používejte silné pracovní rukavice vyrobené z odolného materiálu



Noste protiskluzovou bezpečnostní obuv



Pozor na zpětný ráz – hrot vodící lišty nesmí přijít do styku s žádným předmětem



Zpětný ráz hrotu vodící lišty – kontakt s hrotem může způsobit prudký pohyb vodící lišty vzhůru a dozadu, což může způsobit vážný úraz.



Tento výrobek je v souladu s příslušnou britskou legislativou.



Zaručená hladina akustického výkonu.



Tento výrobek je v souladu s platnými směrnici ES.

IPX5

Ochrana proti proudu vody



Z důvodu snížení nebezpečí úrazu si musí uživatel před použitím tohoto výrobku přečíst návod k obsluze a porozumět mu.



Noste těsně padnoucí oděv. Nenoste šály, kravaty nebo šperky



Používejte těsně padnoucí bezpečnostní brýle, špunty do uší nebo klapky na uši a bezpečnostní přílbu s podbradníkem.



Obouruční úchop – při práci s řetězovou pilou vždy používejte obě ruce.



Informace o vodící liště.



Odpadní elektrické výrobky se nesmí likvidovat spolu s domovním odpadem. Odevzdejte je do autorizovaného recyklačního střediska.

V

Volty



Stejnosměrný proud

TECHNICKÉ ÚDAJE

Napětí	56 V	
Doporučená provozní teplota:	-15°C až 40°C	
Doporučená teplota skladování:	-40°C až 70°C	
Optimální teplota nabíjení	5°C až 40°C	
Délka řezu	300 mm	
Rychlost řetězu	20 m/s	
Rozteč řetězu	3/8" (9,5 mm)	
Měrka řetězu	1,1 mm	
Typ pilového řetězu	AC1200 (doporučený) AC1400/AC1401 (kompatibilní) AC1600/AC1601 (kompatibilní)	
Typ vodící lišty	AG1200 (doporučený) AG1400/AG1401 (kompatibilní) AG1600/AG1601 (kompatibilní)	
Rozteč řetězu	3/8" (9,5 mm)	
Měrka řetězu	1,1 mm	
Specifikovaný počet zubů hnačícího řetězového kola	6	
Kapacita nádrže na řetězový olej	250 ml	
Hmotnost (bez akumulátoru a krytu řetězu)	3,5 kg	
Měřená hladina akustického výkonu L_{WA}	98,8 dB(A) K=3 dB(A)	
Hladina akustického tlaku v místě obsluhy L_{PA}	88,1 dB(A) K=3 dB(A)	
Zaručená úroveň akustického výkonu L_{WA} (podle 2000/14/ES)	102 dB(A)	
Vibrace a_h	Přední rukojeť	1,73 m/s ² K= 1,5 m/s
	Hlavní rukojeť	2,21 m/s ² K= 1,5 m/s

- Celková deklarovaná hodnota vibrací byla naměřena

podle standardní zkušební metody a lze ji použít ke srovnání s jiným nářadím;

- Celkovou deklarovanou hodnotu vibrací lze použít také k předběžnému stanovení expozičních limitů.

POZNÁMKA: Emise vibrací při konkrétním použití elektrického nářadí se mohou lišit od deklarované hodnoty, při které se nářadí používá; z důvodu ochrany provozovatele by měl uživatel ve skutečných pracovních podmínkách nosit rukavice a chrániče sluchu.

POPIS

SEZNAMTE SE S VAŠÍ ŘETĚZOVOU PILOU (Obr. A1)

1. Pilový řetěz
2. Páka brzdy zpětného rázu
3. Zajišťovací jazýček
4. Hlavní rukojeť
5. Spoušť s proměnnou rychlostí
6. Očko
7. Signalizace stavu baterie
8. Ukazatel hladiny oleje
9. Přední rukojeť
10. Uzávěr olejové nádrže
11. Vodící lišta
12. Mazací otvor
13. Řetězové kolo
14. Napínací šroub
15. Bezpečnostní vypínač
16. Vodící šroub
17. Matka
18. Sestava bočního krytu
19. Kryt šroubu pro nastavení průtoku oleje
20. Protiprachový kryt
21. Vysunovací mechanismus
22. Elektrické kontakty
23. Tlačítko pro uvolnění akumulátoru
24. Háček na opasek
25. Přezka
26. Pásek
27. Popruh s el. drátem
28. Kroužek 1
29. Hák pily
30. Zástrčka
31. Kroužek 2
32. Kryt řetězu
33. Kombinovaný klíč

OBSAH BALENÍ (OBR. A1)

MONTÁŽ

MONTÁŽ/DEMONTÁŽ LIŠTY A ŘETĚZU

VAROVÁNÍ: Před montáží nebo demontáží produktu jej


GZ

vždy odpojte od napájení a použijte ochranné rukavice.

VAROVÁNÍ: Přečtěte si všechny bezpečnostní výstrahy, pokyny, ilustrace a technické údaje dodané s tímto elektrickým nářadím. Nedodržení všech níže uvedených pokynů může mít za následek úraz elektrickým proudem, požár a/nebo vážný úraz.

VAROVÁNÍ: Ujistěte se, že jste si objednali lištu a pilový řetěz uvedené v tomto návodu. Nedodržení může vést k vážnému zranění.

Všechna varování a pokyny uschovejte pro budoucí použití.

1. Ujistěte se, že je páka brzdy zpětného rázu nastavena do polohy .
2. Odšroubujte matici (A-17) proti směru hodinových ručiček a sejměte sestavu bočního krytu (A-18).
3. Pilový řetěz položte na rovný povrch a vyrovnejte případné ohyby. (Obr. B1)
4. Hnací články (B-1) umístěte do drážky (B-2) na vodící liště a navlékněte řetěz v zadní části vodící lišty. (Obr. B2)
5. Řetěz držte v dané poloze na vodící liště a nasadte jej okolo řetězového kola (B-3) hnací jednotky. Zkontrolujte následující (obr. B3).
 - a) Usazení hnacích článků v zubech řetězového kola (B-3).
 - b) Polohu napínacího šroubu (B-4) a vodícího šroubu (B-5) v drážce vodící lišty. Zapojení napínacího kolíku (B-6) v otvoru vodící lišty.

POZNÁMKA: Ujistěte se, že směr šipek na zubech řetězové pily vždy směřuje dopředu (Obr. B3).

6. Pro zajištění správného napnutí viz oddíl „NAPNUTÍ PILOVÉHO ŘETĚZU“.
7. Zarovnejte dvě vodící tyče (B-7) boční sestavy krytu s příslušnými otvory (B-8) v pile, poté uсадte sestavu bočního krytu. (Obr. B4)
8. Utáhněte matku.

B-1	Hnací články	B-5	Vodící šroub
B-2	Drážka	B-6	Napínací kolík
B-3	Řetězové kolo	B-7	Vodící tyče
B-4	Napínací šroub	B-8	Otvory

POZNÁMKA: Pokud je třeba vyměnit vodící lištu, demontujte sestavu bočního krytu a namontujte novou vodící lištu, jak je znázorněno na Obr. C.

PROVOZ

Před každým použitím zkontrolujte, zda celý výrobek není poškozen, nemá chybějící nebo uvolněné části, jako jsou

vruty, matice, šrouby, atd. Utáhněte všechny spojovací díly a uzávěry a nepoužívejte tento výrobek, pokud nejsou nahrazeny všechny chybějící nebo poškozené díly.

VAROVÁNÍ: Některé národní předpisy mohou omezit používání stroje.

VAROVÁNÍ: Neprovazujte stroj, pokud jste unaveni, nemocní nebo pod vlivem alkoholu nebo jiných omamných látek.

POZNÁMKA: Pokud se stroj dostane mimo kontrolu, např. při zpětném rázu, okamžitě vypněte napájení.

POUŽITÍ

Výrobek lze používat za deště.

- Tato řetězová pila je speciálně určena pro prořezávání a údržbu stromů.



Tuto pilu mohou používat pouze osoby speciálně vyškolené pro práci ve stromech.

POZNÁMKA: Uživatelům, kteří podobný výrobek používají poprvé doporučujeme, aby si minimálně vyzkoušeli řezání polen na koze nebo stojanu.

NAPNUTÍ ŘETĚZOVÉ PILY

VAROVÁNÍ: Nikdy se nedotýkejte řetězu ani jej nenastavujte, pokud je motor v chodu. Pilový řetěz je velmi ostrý. Při údržbě řetězové pily vždy používejte ochranné rukavice.

Pilový řetěz se během běžného chodu stahuje a roztahuje. V důsledku toho se mění napnutí řetězu. Napnutí řetězu pravidelně během používání kontrolujte a v případě potřeby jej upravte.

1. Řetězovou pilu vypněte, zabrzděte a odpojte napájecí zástrčku.
2. Uvolněte matici tak, aby se vodící lišta mohla volně pohybovat.
3. Podržte hrot lišty směrem nahoru a seřďte napnutí napínacího šroubu, dokud:
 - a) prověšení řetězu ve středě lišty nebude cca: 1–2 mm (Obr. D).
 - b) Odblokujte řetězovou brzdou a přesvědčte se, že lze dvěma prsty zatáhnout pilovým řetězem kolem lišty.

POZNÁMKA: Tento krok provádějte s opatností, aby nedošlo ke zranění. Protože stejnosměrný motor obsahuje magnetický materiál, proveďte srovnání s běžnou benzínovou řetězovou pilou. Když budete otáčet pilovým řetězem pomocí dvou prstů, ucítíte určitý odpor. Pohyb není tak hladký jako u benzínové řetězové pily.

4. Hrot lišty držte směrem nahoru a matku utáhněte.

POZNÁMKA: Pokud není řetěz uprostřed lišty prověšen o 1–2 mm, upravte napnutí řetězu.

PLNĚNÍ OLEJOVÉ NÁDRŽE

1. Odpojte akumulátor od řetězové pily.
2. Řetězovou pilu položte na pevný rovný povrch tak, aby víčko olejové nádrže směřovalo nahoru. Otevřete víčko olejové nádrže. Pokud je utaženo těsně, k uvolnění použijte drážkovanou hlavu kombinovaného klíče (součástí balení) (Obr. E).
3. Do nádrže opatrně nalijte olej. Nádrž naplňte až po spodní část plnicího hrdla. Otvírejte přebytečný olej a uzavřete víčko.

POZNÁMKA

- Při nákupu neobsahuje řetězová pila žádný olej. Proto je před použitím nezbytné naplnit nádrž olejem. Pila se při práci automaticky maže řetězovým olejem.
- Je speciálně navržena pro nízké tření a rychlejší řezání.
- Nikdy nepoužívejte olej ani jiná maziva, která nejsou určena pro mazání lišty a řetězu. Může dojít k ucpání olejového systému, což může vést k předčasnému opotřebením lišty a řetězu.
- Nikdy nepoužívejte olej ani jiná maziva, která nejsou určena pro mazání lišty a řetězu. Může dojít k ucpání olejového systému, což může vést k předčasnému opotřebením lišty a řetězu.

NASTAVENÍ PRŮTOKU OLEJE (Obr. F)

- Tato pila je vybavena šroubem na **seřízení průtoku oleje (F-1)** umístěným ve spodní části nářadí. Tento šroub slouží k nastavení průtoku oleje pro mazání řetězu, lišty a řezného systému. Průtok zvýšíte nebo snížíte podle směru šipek uvedených na krytu.

LED UKAZATEL ŘETĚZOVÉ PILY

Řetězová pila je vybavena 2 LED ukazateli zobrazujícími stav oleje a úroveň nabití akumulátoru/ů.

LED ukazatel		Význam	Kroky
Ukazatel hladiny oleje (A-8)	Bliká červeně	Nedostatek oleje	Doplňte olej do nádržky.
	Vypnuto	Dostatek oleje	/
Ukazatel stavu baterie (A-7)	Svítil zeleně	Akumulátor je nabitý	/
	Bliká zeleně	Akumulátor je téměř vybitý a musí se okamžitě nabít.	Nabijte akumulátor.

PŘIPEVNĚNÍ DRŽÁKU AKUMULÁTORU K LEZECKÉMU POSTROJI

Tato řetězová pila je dodávána s držákem akumulátoru,

který slouží k nošení akumulátoru a umožňuje jeho připevnění k lezeckému postroji (není součástí).

POZNÁMKA: Držák akumulátoru pevně připevněte k lezeckému postroji dříve, než si postroj obléknete.

VAROVÁNÍ: Horolezecký postroj s funkcí rychlého uvolnění je třeba připravit, aby se zabránilo nouzovému stavu.

1. Na postroji vyhledejte vhodné místo k připevnění držáku akumulátoru a držák akumulátoru zavěste na postroj pomocí **opaskové karabiny (G-1)**. (Obr. G1)
2. Obtočte pás kolem lezeckého postroje, abyste upevnili držák akumulátoru na místě (Obr. G2 a G3).
3. Připojte dva **kroužky (G-2)** bezpečnostního popruhu s el. drátem k lezeckému postroji pomocí dvou karabin (nejsou součástí), viz Obr. G4.

G-1	Háček na opasek	G-2	Kroužky
-----	-----------------	-----	---------

POZNÁMKA:

- Při lezení na strom připevněte kroužky 1 a 2 bezpečnostního popruhu s el. drátem k lezeckému postroji pomocí karabin (nejsou součástí) (Obr. G5).
- Když je nářadí používáno, odpojte kroužek 2 od lezeckého postroje. Pilu při řezání držte oběma rukama (Obr. G6).

GZ

ZAJIŠTĚNÍ PILY K DRŽÁKU AKUMULÁTORU

Připevněte **hák (H-2)** bezpečnostního popruhu s el. drátem k **oku (H-1)**. (Obr. H)

H-1	Okno	H-2	Hák
-----	------	-----	-----

INSTALACE/VYJMUTÍ AKUMULÁTORU

POZNÁMKA: Před prvním použitím akumulátor plně nabijte.

Instalace (Obr. I1)

Zarovnejte žebra akumulátoru s montážními drážkami a poté zasuněte akumulátor do držáku akumulátoru, dokud nezapadne na místo.


TDemontáž (Obr. I2)

Palcem stiskněte tlačítko na uvolnění akumulátoru a akumulátor vyjměte.

SPUŠTĚNÍ/VYPNUTÍ ŘETĚZOVÉ PILY

Spuštění

1. Zarovnejte značky „▲“ na **zástrčce (J-2)** a **elektrické zdířce (J-1)** řetězové pily, poté zasuněte zástrčku do řetězové pily, dokud ZELENEJ těsnění na zástrčce ZCELA nezmizí ve zdířce (Obr. J1).
2. Vypínač přesuňte do polohy „ZAP“ (Obr. J2).

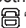
3. Zatáhněte brzdu zpětného rázu směrem k hlavní rukojeti do polohy .
4. Posuňte **zajišťovací jazýček (J-3)** dopředu a stiskněte **spoušť s proměnnou rychlostí (J-4)**. Čím více vytáhnete spoušť s proměnnou rychlostí, tím vyšší rychlost bude řetězová pila mít (Obr. J3).

J-1	Zdířka	J-3	Zajišťovací jazýček
J-2	Zástrčka	J-4	Spoušť s proměnnou rychlostí

Zastaven

1. Chcete-li řetězovou pilu vypnout, uvolněte spoušť s proměnnou rychlostí.

POZNÁMKA: Pilový řetěz se bude ještě chvíli po uvolnění spouště s proměnnou rychlostí otáčet. Po uvolnění spouště s proměnnou rychlostí a při pokládání pily se vyvarujte kontaktu s řetězem.

2. Brzdu zpětného rázu zatlačte dopředu do zabrzdněné polohy „“.
3. Vypínač přesuňte do polohy „VYP“.

VAROVÁNÍ: Při přestávce a po skončení práce vždy odpojte zástrčku z řetězové pily.

PŘÍPRAVA NA ŘEZÁNÍ

Správný úchop rukojeti (Obr. K)

- Pro dosažení maximální pevnosti úchopu a ochrany použijte protisklizové rukavice.
- Vždy uchopte přední rukojeť levou rukou a hlavní rukojeť pravou rukou.
- Prsty musí obepnout rukojeť s palcem sbaleným pod přední rukojetí.

VAROVÁNÍ: Nikdy nepoužívejte levoruký (překřížený) úchop nebo postoj, při kterém tělo nebo paže kříží dráhu řetězu.

VAROVÁNÍ: Spoušť nespouštějte levou rukou a přední rukojeť nedržte pravou rukou. Nikdy nedovolte, aby jakákoliv část vašeho těla byla při používání pily v linii jejího řezu (Obr. L).

KONTROLA MAZÁNÍ ŘETĚZU (Obr. M)

POZNÁMKA: Dbejte na to, aby nádrž na olej byla naplněna správným množstvím řetězového oleje.

1. Vodicí lištu podržte nad světle zbarveným povrchem.
2. Zapněte pilu. Pokud je řetěz správně promazáván, uvidíte po 1 minutě jasnou stopu oleje na světle

zabarveném povrchu.

3. Pokud není olej na světle zabarveném povrchu vidět, nahlédněte na oddíl „**NASTAVENÍ PRÚTOKU OLEJE**“.

POUŽITÍ NA STOMĚ

VAROVÁNÍ: Při práci na stromě doporučujeme použít dodatečnou oporu, jako např. nožní třmen, nastavitelné lano, aby se zabránilo švihů nebo nehodě při řezání.

Před použitím zkontroluje následující:

- Zkontrolujte známky opotřebení na **řetězovém kole (N-1)**. Pokud jsou známky opotřebení hlubší než 0,5 mm, kontaktujte servisního zástupce společnosti EGO, aby řetězové kolo vyměnil.
- Také zkontrolujte brzdový systém na známky opotřebení **brzdového obložení (N-2)**. Pokud je nerovné, kontaktujte servisního zástupce společnosti EGO, aby byla provedena výměna brzdového obložení. (Obr. N)

N-1	Řetězové kolo	N-2	Brzdové obložení
-----	---------------	-----	------------------

- Zkontrolujte vodicí lištu podle oddílu: **ÚDRŽBA VODICÍ LIŠTY**
- Zkontrolujte pilový řetěz podle oddílu: **ÚDRŽBA ŘETĚZU**
- Zkontrolujte řetězovou brzdu podle oddílu: **BEZPEČNOSTNÍ ZAŘÍZENÍ PROTI ZPĚTNÉMU RÁZU NA TĚTO**

ŘETĚZOVÉ PILE

- Zkontrolujte ovládací prvky podle oddílu: **SPUŠTĚNÍ/VYPNUTÍ ŘETĚZOVÉ PILY**
- Zkontrolujte mazání řetězu podle oddílu: **KONTROLA MAZÁNÍ ŘETĚZU**

ÚDRŽBA

ČIŠTĚNÍ

- Po každém použití odstraňte nečistoty z řetězu a vodicí lišty měkkým kartáčem. Povrch řetězové pily otřete čistým hadrem navlhčeným ve slabém mýdlovém roztoku.
- V případě hloubkového čištění sejměte sestavu bočního krytu, demontujte vodicí lištu a pilový řetěz a poté použijte měkký kartáč, abyste odstranili nečistoty z vodicí lišty, pilového řetězu a hnacího kola hnací jednotky řetězové pily.
- Při výměně pilového řetězu vždy z drážky vodicí lišty odstraňte dřevěné štěrky, piliny a nečistoty.

ODSTRANĚNÍ PRACHU

1. Odpojte zástrčku, nechte řetězovou pilu zchladnout a utáhněte víčko olejové nádrže.
2. Aktivujte brzdu pily.
3. Použijte kombinovaný klíč (součástí dodávky), abyste uvolnili šroub **protiprachového krytu (O-1)** a otevřeli ho (Obr. O1).
4. Očistěte piliny a třísky nahromaděné v chladicím žeburu pomocí stlačeného suchého vzduchu. Odfukujte je směrem pryč od **přívodu vzduchu (O-2)**. (Obr. O2).

O-1	Protiprachový kryt	O-2	Přívod vzduchu
-----	--------------------	-----	----------------

ÚDRŽBA VODICÍ LIŠTY

Pokud vodící lišta vykazuje známky opotřebení, demontujte ji z hnací jednotky řetězové pily, obraťte ji a namontujte zpět (Obr. P1). Takto se opotřebení rozloží na maximální životnost lišty.

Lišta by měla být čistěna (včetně **vodicích kolejnic (P-1)** a **mazacího otvoru (P-2)**) každý den používání a kontrolována na opotřebení a poškození (Obr. P2). Zkosení nebo ořepky vodících lišt jsou běžným procesem opotřebení lišty. Tyto závady odstraňte pilníkem, jakmile se objeví. Lištu, u které se projeví jedna z následujících poruch, musíte vyměnit.

Opotřebení uvnitř vodicích kolejnic, které umožňuje řetězu posun do boku.

- Ohnutá vodící lišta.
- Prasklé nebo zlomené kolejnice.
- Roztažené kolejnice.

Vodící lišta má na hrotu řetězové kolo. Řetězové kolo se musí jednou týdně mazat mazací stříkačkou, aby se prodloužila životnost vodící lišty (Obr. P3 a P4). Otáčejte **koncem lišty (P-3)** při současném pumpování **žlutého, průhledného červeného nebo průhledného maziva do mazacího otvoru (P-4)**, dokud nebude celé kolo promazáno. Nezatlačte do otvoru špínu.

P-1	Lišta	P-3	Řetězové kolo
P-2	Mazací otvor	P-4	Mazací otvor

ÚDRŽBA ŘETĚZU

S touto pilou používejte pouze řetězy s malým zpětným rázem. Tato rychlořezná pila zajistí při správné údržbě snížení zpětného rázu.

Správně nabroušený pilový řetěz řeže dřevem bez námahy, a to i s malým tlakem. Nikdy nepoužívejte tupý nebo poškozený pilový řetěz. Tupý řezací zub pilového řetězu vede ke zvýšenému fyzickému namáhání, zvýšenému

zatížení vibracemi, neuspokojivým výsledkům řezání a zvýšenému opotřebení.

Řetěz musí být řádně udržován, aby plynule a rychle řezal. Řetěz se musí nabrousit, když jsou dřevěné štěpky příliš malé a prachové, když se řetěz musí při řezání dřevem tlačit silou nebo když řetěz řeže jednu stranou. Při údržbě vašeho řetězu dbejte na následující:

- Nesprávný úhel pilování boční plošky může zvýšit riziko prudkého zpětného rázu.
- Vzdálenost omezovacího zubu. Příliš nízká zvyšuje riziko zpětného rázu. Pokud není dostatečně nízká, omezuje schopnost řezání.
- Pokud řezací zuby narazily do tvrdého tělesa, jako např. hřebíku, kamene nebo se obrousily o bláto nebo písek na dřevě, nechejte řetěz nabrousit kvalifikovaným servisním technikem.

POZNÁMKA: Doporučujeme, aby ostření a údržbu **pilového řetězu** prováděl autorizovaný servis.

PŘEPRAVA A SKLADOVÁNÍ

- Řetězovou pilu nepřepravujte ani neskladujte, když je motor v chodu. Před uskladněním nebo přepravou vždy odpojte zástrčku.
- Před uskladněním nebo přepravou řetězové pily vždy nasadte kryt na vodící lištu a řetěz. Dávejte pozor na ostré zuby řetězu.
- Před uskladněním řetězovou pilu řádně vyčistěte. Řetězovou pilu skladujte v interiéru, na suchém místě, které je zamknuté anebo je mimo dosah dětí.
- Uchovávejte v bezpečné vzdálenosti od korozivních látek, jako jsou chemické látky a rozmrazovací soli.

Ochrana životního prostředí



OEEZ (Odpadních elektrická a elektronická zařízení) Elektrické zařízení, použité baterie a nabíječku nevyhazujte do domovního odpadu! Tento výrobek předejte autorizované recyklační společnosti ke tříděnému sběru. Elektrické nářadí musí být vráceno do zařízení k ekologické recyklaci.

GZ

ODSTRAŇOVÁNÍ ZÁVAD

PROBLÉM	PŘÍČINA	ŘEŠENÍ
Motor neběží.	<ul style="list-style-type: none"> ■ Zástrčka držáku akumulátoru není připojena k řetězové pile. ■ Bez elektrického kontaktu mezi držákem akumulátoru a akumulátorem. ■ Zajišťovací jazýček není vyklopený. ■ Vypínač je v poloze „VYP“. ■ Brzda řetězu je aktivní. 	<ul style="list-style-type: none"> ■ Zasuňte zástrčku držáku akumulátoru do řetězové pily. ■ Odpojte akumulátor, zkontrolujte póly a akumulátor znovu nainstalujte. ■ Před spuštěním vysuňte zajišťovací jazýček. ■ Vypínač přesuňte do polohy „ZAP“. ■ Zatáhněte páku brzdy řetězu při zpětném rázu dozadu směrem k horní rukojeti až do pracovní polohy.
Během práce se řetězová pila zastaví.	<ul style="list-style-type: none"> ■ Akumulátor nebo řetězová pila jsou příliš horké. ■ Řetězová pila je přetížená. ■ Příliš mnoho dřevěných pilin ve větracím kanále. ■ Akumulátor je vybitý. 	<ul style="list-style-type: none"> ■ Nechte akumulátor nebo řetězovou pilu vychladnout ■ Snižte zatížení. ■ Odstraňte prach, viz oddíl „ODSTRANĚNÍ PRACHU“. ■ Nabijte akumulátor
Brzda řetězu se neaktivuje	<ul style="list-style-type: none"> ■ Nečistoty brání úplnému pohybu rukojeti brzdy řetězu při zpětném rázu ■ Možné poruchy brzdy řetězu 	<ul style="list-style-type: none"> ■ Odstraňte nečistoty z externího mechanismu brzdy řetězu ■ Pro pomoc kontaktujte zákaznický servis společnosti EGO.
Bez mazání při řezání.	<ul style="list-style-type: none"> ■ Olejová nádrž je prázdná. ■ Olejový výstup řetězu je zablokovaný ■ Tuhnutí oleje při nízké teplotě 	<ul style="list-style-type: none"> ■ Doplněte mazivo lišty a řetězu. ■ Odstraňte prach z vývodu oleje. ■ Použijte vhodný mazací olej (vhodný pro nízké teploty).
Ukazatel hladiny oleje červeně bliká nebo vydává neobvyklé světlo, když je nádrž naplněna olejem.	<ul style="list-style-type: none"> ■ Zvláštní úhel použití nářadí způsobuje blokování oleje v nádrži a neumožňuje jeho průchod dál do nářadí. ■ Nedoporučená kategorie a barva oleje. ■ Ukazatel hladiny oleje pořád bliká červeně. 	<ul style="list-style-type: none"> ■ Položte pilu na bok a pokud opakujte. ■ Použijte doporučený průhledný žlutý, průhledný červený nebo průhledný olej ■ Pro pomoc kontaktujte zákaznický servis společnosti EGO
Ukazatel hladiny oleje nepracuje, když je v nádrži málo oleje.	<ul style="list-style-type: none"> ■ Není možné určit kategorii a barvu oleje. ■ Malé množství oleje stále přítomno v nádrži nebo hadičce ■ Ukazatel hladiny oleje stále nepracuje z výše uvedených důvodů. 	<ul style="list-style-type: none"> ■ Použijte doporučený průhledný žlutý, průhledný červený nebo průhledný olej ■ Krátce pilu použijte a poté znovu zkontrolujte ukazatel hladiny oleje ■ Pro pomoc kontaktujte zákaznický servis společnosti EGO.

CZ

ZÁRUKA

ZÁRUKA SPOLEČNOSTI EGO

Úplné záruční podmínky společnosti EGO naleznete na webové stránce egopowerplus.eu.

PREČÍTAJTE SI VŠETKY POKYNY!



PREČÍTAJTE SI NÁVOD NA OBSLUHU.

BEZPEČNOSTNÝ SYMBOL

Účelom bezpečnostných symbolov je upozorniť na možné nebezpečenstvá. Venujte príslušnú pozornosť a pochopte bezpečnostné symboly a ich vysvetlenia. Varovné symboly, samy o sebe, nedokážu eliminovať nebezpečenstvo. Pokyny a varovania, ktoré obsahujú, nie sú náhradou za vhodné opatrenia na prevenciu úrazov.

VAROVANIE: Pred použitím tohto nástroja si prečítajte a pochopte všetky bezpečnostné pokyny v tomto návode na obsluhu, vrátane všetkých bezpečnostných výstražných symbolov, ako sú „**NEBEZPEČENSTVO**“, „**VAROVANIE**“ a „**UPOZORNENIE**“. Nedodržanie nižšie uvedených pokynov môže mať za následok úraz elektrickým prúdom, požiar a/alebo vážne zranenie.

VÝZNAM SYMBOLU

Táto strana zobrazuje a popisuje bezpečnostné symboly, ktoré sa objavujú na tomto výrobku. Pred pokusom o zostavenie a prevádzkovanie si prečítajte, pochopte a dodržiavajte všetky pokyny na stroji.

BEZPEČNOSTNÉ SYMBOLY



Bezpečnostné upozornenie



Noste trvanlivé pracovné rukavice vyrobené z odolného materiálu.



Používajte protišmykovú ochrannú obuv.



Nebezpečenstvo spätného nárazu - Snažte sa predchádzať kontaktu špičky vodiacej lišty s akýmkoľvek predmetom.



Spätný náraz špičky vodiacej lišty - Kontakt so špičkou môže spôsobiť rýchly pohyb vodiacej lišty smerom hore a dozadu, čo môže mať za následok vážny úraz.



Tento výrobok je v súlade s príslušnou britskou legislatívou.



Garantovaná hladina akustického výkonu.



Tento výrobok je v súlade s platnými smernicami ES.

IPX5

Ochrana pred prúdom vody



Ak chcete znížiť riziko zranenia, používateľ musí pred použitím tohto výrobku prečítať a pochopiť návod na obsluhu.



Noste priliehavé oblečenie. Nenoste šál, kravatu alebo šperky.



Noste priliehavé ochranné okuliare, štuple do uší alebo chrániče sluchu a ochrannú prilbu s remienkom pod bradu.



Uchopenie dvomi rukami - Pri práci s motorovou pilou používajte vždy obe ruky.



Informácie o vodiacej lište.



Odpadové elektrické výrobky sa nesmú likvidovať spolu s domovým odpadom. Odovzdajte do autorizovaného recyklačného strediska.

V

Volt



Jednosmerný prúd

SK

TECHNICKÉ ÚDAJE

Napätie	56 V	
Odporúčaná prevádzková teplota:	-15°C ~ 40°C	
Odporúčaná skladovacia teplota:	-40°C ~ 70°C	
Optimálna teplota nabíjania	5°C ~ 40°C	
Dĺžka rezu	300 mm	
Rýchlosť reťaze	20 m/s	
Výška reťaze	3/8" (9,5 mm)	
Meradlo lišty	1,1 mm	
Typ reťaze píly	AC1200 (Odporúčané) AC1400/AC1401 (Kompatibilné) AC1600/AC1601 (Kompatibilné)	
Typ vodiacej lišty	AG1200 (Odporúčané) AG1400/AG1401 (Kompatibilné) AG1600/AG1601 (Kompatibilné)	
Rozstup reťaze	3/8" (9,5 mm)	
Mierka na reťaz	1,1 mm	
Špecifikovaný počet zubov hnacieho ozubeného kolesa	6	
Kapacita nádrže na reťazový olej	250 ml	
Hmotnosť (bez akumulátora, krytu reťaze)	3,5 kg	
Nameraná hladina akustického výkonu L_{WA}	98,8 dB(A) K=3 dB(A)	
Hladina akustického tlaku na mieste obsluhy L_{PA}	88,1 dB(A) K=3 dB(A)	
Zaručená úroveň akustického výkonu L_{WA} (podľa 2000/14/ES)	102 dB(A)	
Vibrácie a_h	Predná rukoväť	1,73 m/s ² K= 1,5 m/s
	Hlavná rukoväť	2,21 m/s ² K= 1,5 m/s

- Deklarovaná celková hodnota vibrácií bola meraná v súlade so štandardnou skúšobnou metódou a môže sa

použiť na vzájomné porovnanie jednotlivých náradí;

- Uvádzaná celková hodnota vibrácie sa môže použiť aj na predbežný odhad expozície.

POZNÁMKA: Emisia vibrácií pri skutočnom používaní náradia sa môže odlišovať od deklarovanej hodnoty, pri akej sa nástroj používa; za účelom ochrany obsluhy má používateľ v skutočných podmienkach použitia nosiť rukavice a ochranu sluchu.

POPIS

SPOZNAJTE SVOJU REŤAZOVÚ PÍLU (obr. A1)

1. Reťaz píly
2. Lopatka brzdy spätného nárazu
3. Uzamykací jazýček
4. Hlavná rukoväť
5. Páčka nastavenia premenlivej rýchlosti
6. Očko
7. Kontrolka batérie
8. Kontrolka nízkej hladiny oleja
9. Predná rukoväť
10. Uzáver olejovej nádrže
11. Vodiaca lišta
12. Otvor na mazanie
13. Ozubené koleso
14. Napínacia skrutka
15. ZAP/VYP Bezpečnostný vypínač
16. Vodiaca skrutka
17. Matica lišty
18. Zostava bočného krytu
19. Kryt skrutky nastavenia prietoku oleja
20. Kryt vývodu pilín
21. Vyhadzovací mechanizmus
22. Elektrické kontakty
23. Tlačidlo na uvoľnenie akumulátora
24. Remeňový hák
25. Spona
26. Popruh
27. Remeň
28. Krúžok 1
29. Hák píly
30. Napájacia zástrčka
31. Krúžok 2
32. Kryt reťaze
33. Kombinovaný kľúč

OBSAH BALENIA (OBR. A1)

MONTÁŽ

MONTÁŽ/DEMONTÁŽ LIŠTY A REŤAZE


VAROVANIE: Pred montážou alebo údržbou

výrobku vždy odpojte napájaciu zástrčku a noste ochranné rukavice.

VAROVANIE: Prečítajte si všetky bezpečnostné výstrahy, pokyny, ilustrácie a technické údaje dodané s týmto elektrickým nástrojom. Nedodržanie nižšie uvedených pokynov môže mať za následok úraz elektrickým prúdom, požiar a/alebo vážne zranenie.

VAROVANIE: Objednajte si lištu a reťaz píly, ktoré sú uvedené v tomto návode. Nedodržanie tohto upozornenia môže mať za následok vážne zranenie.

Všetky varovania a pokyny si ponechajte pre prípadnú potrebu v budúcnosti.

1. Uistite sa, že lopatka brzdy spätného nárazu je nastavená do polohy .
2. Odskrutkujte **maticu lišty (A-17)** proti smeru hodinových ručičiek, aby ste zložili **zostavu bočného krytu (A-18)**.
3. Položte reťaz píly do slučky na rovnú plochu a vyrovnajte prípadné zalomenia. (Obr. B1)
4. Umiestnite **vodiace články (B-1)** do **drážky (B-2)** vodiacej lišty a reťaz dajte do slučky na zadnej strane vodiacej lišty. (Obr. B2)
5. Pridržte reťaz na vodiacej lište a umiestnite slučku okolo **ozubeného kolesa (B-3)** pohonnej hlavy a skontrolujte nasledujúce položky (obr. B3).
 - a) Vodiace články reťaze zapadajú do zubov reťazového kolesa (B-3).
 - b) **Napínacia skrutka (B-4)** a **vodiaca skrutka (B-5)** sa nachádzajú v drážke vodiacej lišty. **Napínací čap (B-6)** zapadá do otvoru vodiacej lišty.

POZNÁMKA: Dbajte na to, aby smer šípok na zuboch reťaze píly smeroval vždy dopredu (obr. B3).

6. Prečítajte si časť „NAPNUTIE REŤAZE PÍLY“, aby ste sa ubezpečili, že je reťaz správne namontovaná bez uviaznutia.
7. Zarovnajte dve **vodiace tyčky (B-7)** zostavy bočného krytu s príslušnými **otvormi (B-8)** v pile a potom namontujte zostavu bočného krytu. (obr. B4)
8. Dotiahnite maticu lišty.

B-1	Vodiace články	B-5	Vodiaca skrutka
B-2	Drážka	B-6	Napínací čap
B-3	Ozubené koleso reťaze	B-7	Vodiace tyčky
B-4	Napínacia skrutka	B-8	Otvory

POZNÁMKA: Ak je potrebné vodiacu lištu vymeniť, demontujte zostavu bočného krytu a namontujte ju späť s novou vodiacou lištou, ako je to znázornené na obrázku C.

OBSLUHA

Pred každým použitím skontrolujte celý výrobok na poškodené, chýbajúce alebo uvoľnené diely, ako sú skrutky, matice atď. Utiahnite všetky upevňovacie prvky a uzávery a nepoužívajte tento výrobok, kým nie sú vymenené všetky chýbajúce alebo poškodené diely.

VAROVANIE: Niektoré národné predpisy môžu obmedziť používanie stroja.

VAROVANIE: Nepoužívajte stroj, ak ste unavení, chorí, pod vplyvom alkoholu alebo iných omamných látok.

POZNÁMKA: Ak sa stroj dostane mimo kontrolu, napríklad pri spätnom ráze, okamžite vypnite napájanie.

POUŽITIE

Výrobok sa môže používať v daždi.

- Táto reťazová píla je navrhnutá špeciálne na rezanie a údržbu stromov.



Túto pílu smú používať iba osoby, ktoré sú špeciálne zaškolené na práce súvisiace so starostlivosťou o stromy.

POZNÁMKA: Odporúčame, aby si začiatočník minimálne precvičil rezanie guľatiny na koze alebo kolíske.

NAPNUTIE REŤAZE PÍLY

VAROVANIE: Nikdy sa nedotýkajte ani neprestavujte reťaz, keď je zapnutý motor. Reťaz píly je veľmi ostrá. Pri vykonávaní údržby na reťazi používajte vždy ochranné rukavice.

Reťaz píly sa pri bežnej prevádzke rozťahuje alebo sťahuje. Výsledkom je zmena napnutia reťaze. Počas prevádzky pravidelne kontrolujte napnutie reťaze, prípadne ju upravte.

1. Vypnite reťazovú pílu, zatiahnite brzdzu reťaze a odpojte napájaciu zástrčku.
2. Uvoľnite maticu lišty, aby sa vodiaca lišta mohla voľne pohybovať pre ďalšie nastavenie.
3. Podržte nos lišty hore a nastavujte napínanie skrutku, kým nebudú platiť nasledujúce body:
 - a) Previs reťaze v strede lišty je približne: 1 - 2 mm (obr. D)
 - b) Uvoľnite brzdzu reťaze, uistite sa, že je možné reťaz ťahať dvoma prstami pozdĺž lišty.

POZNÁMKA: Tento krok vykonajte opatrne, aby ste predišli zraneniu. Pretože tento jednosmerný motor obsahuje magnetický materiál, tak v porovnaní s bežnou benzínovou reťazovou pilou pocítite určitý odpor, keď budete reťaz ťahať dvoma prstami. Nie je to taký hladký pohyb ako pri benzínovej reťazovej pile.

SK

4. Podržte nos lišty hore a dotiahnite maticu lišty.

POZNÁMKA: Ak previs reťaze v strede lišty nie je 1 - 2 mm, upravte napnutie reťaze.

DOPLNENIE OLEJOVEJ NÁDRŽE

1. Odpojte akumulátor od reťazovej pily.
2. Položte reťazovú pilu na bok na pevný, rovný povrch tak, aby uzáver olejovej nádrže smeroval nahor. Otvorte uzáver olejovej nádrže. Ak je príliš utiahnutý, uvoľnite ho kombinovaným kľúčom (súčasť dodávky) pomocou štrbiny uzávère (obr. E).
3. Opatrne nalejte olej do olejovej nádrže. Naplňte po spodok plniaceho hrdla. Poutierajte prebytočný olej a zatvorte uzáver.

POZNÁMKA:

- Pri kúpe nie je v reťazovej pile olej. Je nevyhnutné, aby ste pred použitím naplnili nádrž olejom. Reťaz je počas používania automaticky mazaná olejom.
- Je špeciálne navrhnutý na nízke trenie a rýchlejšie rezy.
- Nikdy nepoužívajte olej alebo iné mazivá, ktoré nie sú špeciálne určené pre lišty a reťaze. Môže to viesť k upchatiu olejového systému, čo môže spôsobiť predčasnú opotrebenie lišty a reťaze.

NASTAVENIE PRIETOKU OLEJA (obr. F)

- Táto píla je vybavená skrutkou na **nastavenie prietoku oleja (F-1)**, ktorá sa nachádza na spodnej časti náradia a slúži na nastavenie prietoku oleja na mazanie reťaze, tyče a rezného systému. Zvýšte alebo znížte prietok oleja v smere šípok vyznačených na kryte.

LED KONTROLKA NA REŤAZOVEJ PÍLE

Reťazová píla je vybavená 2 LED kontrolkami, ktoré indikujú stav oleja a úroveň nabitia akumulátorov.

LED kontrolka	Význam	Akcia	
Kontrolka nízkej hladiny oleja (A-8)	Bliká červená	Nedostatok oleja	Naplňte olejovú nádrž.
	Nesvieti	Má olej	/
Kontrolka batérie (A-7)	Svieti zelená	Akumulátor je nabitý	/
	Bliká zelená	Akumulátor je takmer vybitý a je potrebné ho okamžite nabiť.	Nabite akumulátor.

PRÍPEVNENIE PUZDRA NA AKUMULÁTOR NA LEZECKÝ POSTROJ

Táto reťazová píla sa dodáva s puzdrom na akumulátor, ktoré slúži na prenášanie akumulátora a ktoré je možné pripievať na lezecký stroj (nie je súčasťou dodávky).

POZNÁMKA: Pred použitím lezeckého stroja pevne pripievajte puzdro na akumulátor k lezeckému stroju.

VAROVANIE: Horolezecký stroj s funkciou rýchleho uvoľnenia je potrebné pripraviť, aby sa zabránilo vzniku núdzovej situácie.

1. Nájdite vhodné miesto pre zavesenie tohto puzdra na akumulátor na lezeckom stroji. Puzdro na akumulátor zaveste na lezecký stroj pomocou **remeňového háku (G-1)**. (Obr. G1)
2. Omotajte remeň okolo lezeckého stroja, aby ste upevnili puzdro na akumulátor na jeho miesto (obr. G2 a G3).
3. Prípojte dva **krúžky (G-2)** poistného remeňa k lezeckému stroju pomocou dvoch karabín (nie sú súčasťou dodávky), ako je to znázornené na obr. G4.

G-1	Remeňový hák	G-2	Krúžky
-----	--------------	-----	--------

POZNÁMKA:

- Pri lezení na strom pripievajte krúžok 1 a 2 poistného remeňa k lezeckému stroju pomocou karabín (nie sú súčasťou dodávky) (obr. G5).
- Keď sa náradie používa, odpojte krúžok 2 od lezeckého stroja a pílu držte dvoma rukami, aby ste mohli rezať (obr. G6).

UPEVNENIE PÍLY K PUZDRU NA AKUMULÁTOR

Pripievajte **hák pily (H-2)** poistného remeňa na **očko (H-1)**. (Obr. H).

H-1	Očko	H-2	Hák Pily
-----	------	-----	----------

INŠTALÁCIA/VYBRATIE AKUMULÁTORA

POZNÁMKA: Pred prvým použitím akumulátor úplne nabite.

Inštalácia (obr. I1)

Zarovnajrebrovanie akumulátora s montážnymi drážkami a potom akumulátor zasuňte do puzdra, kým nezapadne na miesto.

Vybratie (obr. I2)


Stlačte palcom tlačidlo pre uvoľnenie akumulátora a vytiahnite ho von.

ZAPNUTIE/ZASTAVENIE REŤAZOVEJ PÍLY

Zapnutie

1. Zarovnajte značky „▲“ na **napájacej zástrčke (J-2)** a **elektrickej zásuvke (J-1)** reťazovej pily, potom zasuňte

zástrčku do reťazovej píly, kým ZELENÉ tesnenie na zástrčke ÚPLNE nezmisne v zásuvke (obr. J1).

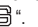
- Zatlačte prepínač „ON/OFF“ (ZAP/VYP) do polohy „ON“ (ZAP, obr. J2).
- Potiahnite lopatku brzdy spätného nárazu smerom k hlavnej rukoväti do polohy .
- Posuňte **uzamykací jazýček (J-3)** smerom dopredu a potom stlačte **páčku nastavenia premenlivej rýchlosti (J-4)**. Čím viac stlačíte páčku nastavenia premenlivej rýchlosti, tým vyššia je rýchlosť otáčania reťaze (obr. J3).

J-1	Elektrická zásuvka	J-3	Uzamykací jazýček
J-2	Napájacia zástrčka	J-4	Páčka nastavenia premenlivej rýchlosti

Zastavenie

- Uvoľnite páčku nastavenia premenlivej rýchlosti, aby ste zastavili reťazovú pílu.

POZNÁMKA: Po uvoľnení páčky nastavenia premenlivej rýchlosti sa pilová reťaz bude ešte chvíľu otáčať. Dajte pozor, aby ste sa po uvoľnení páčky nastavenia premenlivej rýchlosti a odstavení motorovej píly nedotkli reťaze.

- Lopatku brzdy spätného nárazu zatlačte dopredu do zabrzdenej polohy „“.
- Prepnite prepínač „ON/OFF“ (ZAP/VYP) do polohy „OFF“ (VYP).

VAROVANIE: Počas pracovných prestávok a po ukončení práce vždy odpojte napájaciu zástrčku od píly.

PRÍPRAVA NA REZANIE:

Správne uchopenie rukovätí (obr. K)

- Noste protišmykové rukavice s cieľom maximalizovať uchopenie a ochranu.
- Vždy uchopte prednú rukoväť ľavou rukou a hlavnú rukoväť pravou rukou.
- Prsty by mali obopínať rukoväť s palcom pod prednou rukoväťou.

VAROVANIE: Nikdy používajte úchop ľavou rukou (s prekříženými rukami) alebo akýkoľvek postoj, ktorý by posunul vaše telo alebo ruku do dráhy reťaze.

VAROVANIE: Nespúšťajte hlavný vypínač ľavou rukou, pričom pravou rukou držíte prednú rukoväť. Počas práce s reťazovou pilou nikdy nedovoľte, aby sa ktorákoľvek časť vášho tela nachádzala v dráhe reťaze (obr. L).

KONTROLA MAZANIA REŤAZE (obr. M)

POZNÁMKA: Uistite sa, že olejová nádrž reťazovej píly bola naplnená správnym objemom reťazového oleja.

- Vodiacu lištu držte nad svetlozafarbeným povrchom.
- Zapnite pílu. Ak mazanie reťaze funguje správne, po 1 minúte uvidíte na svetlozafarbenom povrchu zreteľnú vrstvu oleja.
- Ak olej na reťazi stále nie je viditeľný na svetlozafarbenom povrchu, upravte ho podľa časti „NASTAVENIE PRIETOKU OLEJA“.

PRÁCA NA STROME

VAROVANIE: Pri práci alebo lezení sa odporúča použiť pomocnú operu, ako je napr. nožný strmeň, nastaviteľné lano, ktoré zabráni hojdaniu alebo porezaniu.

Pred použitím skontrolujte nasledujúce body:

- Skontrolujte stopy opotrebovania **ozubeného kolesa (N-1)**. Ak sú stopy opotrebovania hlbšie ako 0,5 mm: obráťte sa na servisného predajcu EGO a požiadajte ho o výmenu reťazového kolesa.
- Skontrolujte tiež brzdový systém. Ak sú známky opotrebovania na **brzdovom obložení (N-2)** nerovnomerné, obráťte sa na servisného predajcu EGO a požiadajte ho o výmenu brzdového obloženia. (Obr. N)

N-1	Ozubené koleso reťaze	N-2	Brzdové obloženie
-----	-----------------------	-----	-------------------

- Skontrolujte vodiacu lištu v príslušnej časti: **ÚDRŽBA VODIACEJ LIŠTY**
- Skontrolujte reťaz píly v príslušnej časti: **ÚDRŽBA REŤAZE**
- Testovanie brzdy reťaze nájdete v príslušnej časti: **BEZPEČNOSTNÉ ZARIADENIA NA OCHRANU PRED SPÁTNÝM NÁRAZOM NA TEJTO**

REŤAZOVEJ PÍLE

- Skontrolujte ovládacie prvky v príslušnej časti: **ZAPNUTIE/ZASTAVENIE REŤAZOVEJ PÍLY**
- Skontrolujte mazanie reťaze v príslušnej časti: **KONTROLA MAZANIA REŤAZE**

ÚDRŽBA

ČISTENIE

- Po každom použití odstráňte nečistoty z reťaze a vodiacej lišty použitím mäkkej kefy. Utrite povrch reťazovej píly čistou handričkou navlhčenou v slabom mydlovom roztoku.

SK

- Ak chcete vykonať hĺbkové čistenie, demontujte zostavu bočného krytu, zložte vodiacu lištu a reťaz píly a potom pomocou mäkkej kefy dôkladne odstráňte zvyšky z vodiacej lišty, reťaze píly a hnacieho ozubeného kolesa na pohonnej hlave reťazovej píly.
- Pri výmene reťaze vždy odstráňte drevnú štiepku, piliny a nečistoty z drážky vodiacej lišty.

ODSTRÁNENIE PILÍN

1. Odpojte napájaciu zástrčku, nechajte reťazovú pílu vychladnúť a utiahnite uzáver olejovej nádrže.
2. Zaisťte brzdu píly.
3. Pomocou kombinovaného kľúča (súčasť dodávky) uvoľníte skrutku **krytu vývodu pilín (O-1)** a otvorte ho (obr. O1).
4. Piliny a triesky nahradené v chladiacom rebrovaní vyčistíte stlačeným suchým vzduchom a vyfúkajte z **prívodu vzduchu (O-2)** na opačnej strane. (Obr. O2)

O-1	Kryt vývodu pilín	O-2	Prívod vzduchu
-----	-------------------	-----	----------------

ÚDRŽBA VODIACEJ LIŠTY

Keď vodiaca lišta vykazuje známky opotrebovania, demontujte ju z pohonnej hlavy reťazovej píly a pretočte ju na opätovnú montáž (obr. P1). V takom prípade sa opotrebovanie rozdelí rovnomerne pre maximálnu životnosť lišty.

Lišta sa má čistiť (vrátane **koľajnic lišty (P-1)** a **mazacieho otvoru (P-2)**) každý deň používania a skontrolovať na opotrebovanie a poškodenie (obr. P2). Rozstrapkanie alebo tvorenie drsných okrajov na koľajniciach lišty je bežný jav pri opotrebovaní lišty. Tieto nedokonalosti treba vyhladiť pomocou pilníka hneď, ako sa objavia. Lištu, ktorá vykazuje nasledujúce nedostatky, je potrebné vymeniť.

Opotrebovanie vo vnútri koľajnic lišty umožňuje, aby sa reťaz dostala cez bočné strany.

- Zohnutá vodiaca lišta.
- Prasknuté alebo zlomené koľajnice.
- Rozšírené koľajnice.

Vodiaca lišta má na svojej špičke ozubené koleso. Ozubené koleso treba mazať raz za týždeň mazacou striekačkou, aby sa predĺžila životnosť vodiacej lišty (obr. P3 a P4). Otáčajte **nosové ozubené koleso (P-3)** a súčasne vtláčajte priesvitný žltý, **priesvitný červený alebo priesvitný tuk do mazacieho otvoru (P-4)**, až kým nebude celé ozubené koleso premazané. Do otvoru nezatačte nečistoty.

P-1	Lištové koľajnice	P-3	Ozubené koleso
P-2	Otvor na mazanie	P-4	Otvor na mazanie

ÚDRŽBA REŤAZE

Na túto pílu používajte iba reťaze s nízkym spätným nárazom. Táto rýchlovezná reťaz zaisťuje zníženie spätného nárazu, ak je udržiavaná v dobrom stave.

Dobre naostrená reťaz píly prereže drevo bez námahe, a to aj pri veľmi malom prítlaku. Nikdy nepoužívajte tupé alebo poškodené reťaze. Tupé čepele reťazovej píly vedú k zvýšenej fyzickej námahe, zvýšenému zaťažaniu vibráciami, neuspokojivým výsledkom pílenia a zvýšenému opotrebovaniu.

Pre plynulé a rýchle rezanie je potrebné reťaz správne udržiavať. Ak sú drevné štiepky malé a prachovité, alebo reťaz musí byť počas rezania pretlačená cez drevo, či reťaz reže do jednej strany, tak je potrebné ju naostriť. Pri údržbe reťaze zvažte nasledujúce skutočnosti:

- Nesprávny vstupný uhol bočnice môže zvýšiť riziko vážneho spätného nárazu.
- Výška podpery (hĺbkomera). Ak je príliš nízka, vzniká nebezpečenstvo vzniku spätného nárazu. Nedostatočne nízka zase znižuje rezacie schopnosti.
- Nechajte reťaz nabrúsiť kvalifikovaným servisným technikom, ak rezacie zuby narazia na tvrdé predmety, napríklad kĺnce a kamene, alebo boli obrúsené bľatom či pieskom na dreve.

POZNÁMKA: Odporúčame, aby ste brúsenie a údržbu **pílovej reťaze** nechali vykonať v autorizovanom servise.

PREPRAVA A SKLADOVANIE

- Reťazovú pílu neskladujte ani neprepravujte, ak je zapnutý motor. Pred skladovaním alebo prepravou vždy odpojte napájaciu zástrčku.
- Pred skladovaním alebo prepravou reťazovej píly umiestnite na vodiacu lištu kryt. Nedotýkajte sa ostrých zubov reťaze.
- Pred skladovaním reťazovú pílu dôkladne vyčistite. Skladujte reťazovú pílu v interiéri, na suchom mieste, ktoré je uzamknuté a/alebo mimo dosahu detí.
- Chráňte pred agresívnymi látkami, ako sú záhradné chemikálie a rozmrazovacie soli.

Ochrana životného prostredia



WEEE (Odpad z elektrických a elektronických zariadení) Nevyhadzujte elektrické zariadenia, nabíjačku a použité akumulátory do domového odpadu! Tento výrobok odnesie na autorizované recyklačné miesto a poskytnite ho na separovaný zber. Elektrické náradie sa musí odovzdať do príslušného zariadenia na ekologicky šetrnú recykliáciu.

ODSTRAŇOVANIE PORÚCH

PROBLÉM	PRÍČINA	RIEŠENIE
Motor neštartuje.	<ul style="list-style-type: none"> ■ Napájacia zástrčka puzdra na akumulátor nie je pripojená k reťazovej pile. ■ Žiadny elektrický kontakt medzi puzdrom a akumulátorom. ■ Uzamykací jazýček nie je vyklopený. ■ Prepínač „ON/OFF“ (ZAP/VYP) je v polohe „OFF“ (VYP). ■ Brzda reťaze je aktívna. 	<ul style="list-style-type: none"> ■ Zapojte napájaciu zástrčku puzdra na akumulátor k reťazovej pile. ■ Odpojte akumulátor, skontrolujte kontakty a akumulátor nainštalujte naspäť. ■ Pred spustením sklopte uzamykací jazýček. ■ Prepnite prepínač „ON/OFF“ (ZAP/VYP) do polohy „ON“ (ZAP). ■ Potiahnite lopatku brzdy spätného nárazu reťaze dozadu smerom k hornej rukoväti do prevádzkovej polohy.
Reťazová píla sa zastaví počas práce.	<ul style="list-style-type: none"> ■ Akumulátor alebo reťazová píla sú príliš horúce. ■ Reťazová píla je preťažená. ■ Príliš veľa kusov dreva blokuje ventilačný otvor. ■ Akumulátor je vybitý. 	<ul style="list-style-type: none"> ■ Nechajte vychladnúť akumulátor alebo reťazovú pílu ■ Znížte zaťaženie. ■ Vyčistite piliny, pozrite si ČASŤ „ODSTRÁNENIE PILÍN“. ■ Nabite akumulátor
Brzda reťaze nezaberá	<ul style="list-style-type: none"> ■ Nečistoty bránia úplnému pohybu rukoväte brzdy spätného nárazu reťaze. ■ Možná chyba brzdy reťaze 	<ul style="list-style-type: none"> ■ Očistite špinu z vonkajšieho brzdového mechanizmu reťaze ■ Pre opravy kontaktujte zákaznický servis EGO.
Pri rezaní nedochádza k mazaniu olejom.	<ul style="list-style-type: none"> ■ Olejová nádrž reťaze je prázdna. ■ Vývod oleja reťazovej lišty je zablokovaný ■ Tuhnutie oleja pri nízkej teplote 	<ul style="list-style-type: none"> ■ Doplníte mazivo lišty a reťaze. ■ Odstráňte piliny na výstupe oleja. ■ Vymeňte za vhodný mazací olej (vhodný pre nízku teplotu)
Kontrolka nízkej hladiny oleja bliká červenou farbou alebo ukazuje neobvyklé svetlo, keď je olejová nádrž naplnená olejom.	<ul style="list-style-type: none"> ■ Špeciálny uhol použitia nástroja, ktorý spôsobuje, že olej z olejovej nádrže netečie do olejového rozvodu. ■ Neodporúčaná kategória a farba oleja. ■ Kontrolka nízkej hladiny oleja stále bliká načerveno. 	<ul style="list-style-type: none"> ■ Reťazovú pílu umiestnite na plochu a skúste to znova. ■ Použite odporúčaný priesvitný žltý, priesvitný červený alebo priesvitný olej ■ Pre opravy kontaktujte zákaznický servis EGO.
Kontrolka nízkej hladiny oleja neoznamuje málo oleja v olejovej nádrži.	<ul style="list-style-type: none"> ■ Nie je možné identifikovať kategóriu a farbu oleja. ■ V olejovej nádrži alebo olejovom vedení stále zostáva malé množstvo oleja ■ Kontrolka nízkej hladiny oleja stále nefunguje z vyššie uvedených dôvodov. 	<ul style="list-style-type: none"> ■ Použite odporúčaný priesvitný žltý, priesvitný červený alebo priesvitný olej ■ Chvíľu používajte motorovú pílu a potom opäť pozorujte kontrolku nízkej hladiny oleja ■ Pre opravy kontaktujte zákaznický servis EGO.

SK

ZÁRUKA

ZÁRUČNÁ POLITIKA EGO

Navštívte webové stránky egopowerplus.eu pre úplné podmienky záručnej politiky spoločnosti EGO.

OLVASSA EL AZ ÖSSZES UTASÍTÁST!



OLVASSA EL A HASZNÁLATI ÚTMUTATÓT

BIZTONSÁGI SZIMBÓLUM

A biztonsági szimbólumok célja, hogy felhívják a figyelmet az esetleges veszélyekre. Nagyon figyeljen a biztonsági szimbólumokra és magyarázatokra, ill. ezek megértésére. A szimbólumok figyelmeztetéseit önmagukban nem hártják el a veszélyeket. Az utasítások és figyelmeztetések nem helyettesítik a megfelelő balesetmegelőző intézkedéseket.

▲ FIGYELMEZTETÉS: A szerszám használata előtt feltétlenül olvassa el a jelen használati útmutató minden biztonsági utasítását, a **"VESZÉLY"**, **"FIGYELMEZTETÉS"**, és **"FIGYELEM"** biztonsági szimbólumokat is. Az alább felsorolt utasítások be nem tartása áramütést, tűzveszélyt és/vagy súlyos személyi sérülést idézhet elő.

SZIMBÓLUM JELENTÉSE

Ezen az oldalon olyan biztonsági szimbólumok láthatók és olvashatók, amelyek megjelenhetnek a terméken. Az összeszerelés vagy működtetés előtt olvassa el, értse meg és tartsa be a gép minden utasítását.

BIZTONSÁGI SZIMBÓLUMOK



Biztonsági figyelmeztetés



Viseljen tartós anyagból készült, erős munkakesztyűt



Viseljen csúszásmentes biztonsági lábbelit



Ügyeljen a visszarúgásra - figyeljen arra, hogy a láncvezető hegye ne érintkezzen semmilyen tárggyal



Láncvezető hegy visszarúgása - A hegy használata esetében a láncvezető hirtelen felfelé vagy hátrafelé ugorhat, ami súlyos sérülést okozhat.

UK
CA

Ez a termék megfelel az alkalmazandó brit jogszabályoknak.



Garantált hangteljesítményszint.



A termék megfelel az érvényes EK irányelveknek.

IPX5

Vízszugár elleni védelem



A sérülések kockázatának csökkentése érdekében a használónak a termék használata előtt el kell olvasnia és meg kell értenie a használati útmutatót.



Viseljen testhezálló ruházatot. Ne viseljen sálát, nyakendőt vagy ékszereket



Viseljen szorosan záródó védőszemüveget, füldugót vagy fülvédőt, és állszíjjal ellátott kemény védősisakot



Kétkezes tartás - Mindig használja mindkét kezét, amikor a láncfűrésztestet működteti.



Információ a láncvezetőről.



Az elhasznált elektromos termékek nem helyezhetők a háztartási hulladékok közé. Vigye hivatalos újrahasznosító telephelyre.

V

Volt



Egyenáram

JELLEMZŐK

Feszültség	56 V	
Javasolt működési hőmérséklet:	-15°C - 40°C	
Javasolt tárolási hőmérséklet:	-40°C - 70°C	
Optimális töltési hőmérséklet	5°C - 40°C	
Vágási hossz	300 mm	
Lánc sebessége	20 m/s	
Lánc fogosztása	3/8" (9,5 mm)	
Lánc idom	1,1 mm	
Fűrészlánc típusa	AC1200 (ajánlott) AC1400/AC1401 (kompatibilis) AC1600/AC1601 (kompatibilis)	
Láncvezető típusa	AG1200 (ajánlott) AG1400/AG1401 (kompatibilis) AG1600/AG1601 (kompatibilis)	
Lánc fogosztása	3/8" (9,5 mm)	
Lánc idom	1,1 mm	
A lánckerék meghatározott fogszáma	6	
Lánc olajtartály kapacitása	250 ml	
Súly (akkumulátoregység és lánc tok nélkül)	3,5 kg	
Mért hangteljesítményszint L_{WA}	98,8 dB(A) K=3 dB(A)	
Hangnyomásszint munkahelyzetben L_{PA}	88,1 dB(A) K=3 dB(A)	
Garantált hangteljesítményszint L_{WA} (2000/14/EK szerint)	102 dB(A)	
Vibráció a_h	Elülső fogantyú	1,73 m/s ² K= 1,5 m/s
	Fő fogantyú	2,21 m/s ² K= 1,5 m/s

- A névleges rezgési összérték mérése standard bevizsgálási módszerrel történt, és használatával a szerszámok egymással összehasonlíthatók.
- A névleges rezgési összérték a kockázat előzetes

felméréséhez is felhasználható.

MEGJEGYZÉS: A rezgés-kibocsátás az elektromos szerszám aktuális használata közben eltérhet attól a névleges értéktől, amellyel a szerszámot használják: a kezelő védelme érdekében a használónak kesztyűt és hallásvédőt kell használnia működtetés közben.

LEÍRÁS

ISMERJE MEG A LÁNCFŰRÉSzt (A1 ábra)

1. Fűrészlánc
2. Lánc visszarágás elleni fékfogantyú
3. Rögzítőnyelv
4. Főfogantyú
5. Állítható sebességszabályozó kapcsoló
6. Fűzőszem
7. Akkumulátor indikátor
8. Alacsony olaj indikátor
9. Elülső fogantyú
10. Olajtartály sapka
11. Láncvezető
12. Olajozó nyílás
13. Láncvezető
14. Láncfeszítő csavar
15. Biztonsági BE-KI kapcsoló
16. Láncvezető csap
17. Láncvezető csavar
18. Oldalsó burkolat
19. Olajáramlás beállító csavar burkolat
20. Poreltávolító burkolat
21. Kioldó mechanizmus
22. Elektromos érintkezők
23. Akkumulátor kioldógomb
24. Szijs kampó
25. Kapocs
26. Szijs
27. Elektromos kábel burkolatban
28. Gyűrű 1
29. Fűrész kampó
30. Csatlakozódugó
31. Gyűrű 2
32. Lánc tok
33. Kombinált kulcs

A CSOMAG TARTALMA (A1 ÁBRA)

ÖSSZESZERELÉS

A LÁNCVEZETŐ ÉS A LÁNC ÖSSZESZERELÉSE/ SZÉTSZERELÉSE

⚠ FIGYELMEZTETÉS: Szerelés vagy a termék kabantartása előtt mindig húzza ki az elektromos

csatlakozódugót, és viseljen védőkesztyűt.

▲ FIGYELMEZTETÉS: Olvassa el az elektromos kéziszerszámhoz mellékelt összes biztonsági figyelmeztetést, utasítást, ábrát és specifikációt. Az alább felsorolt utasítások be nem tartása áramütést, tűzveszélyt és/vagy súlyos sérülést idézhet elő.

▲ FIGYELMEZTETÉS: Feltétlenül rendelje meg a kézikönyvben felsorolt láncvezetőt és fűrészláncot. Ennek elmulasztása súlyos sérülést eredményezhet.

Őrizzen meg minden figyelmeztetést és utasítást, hogy később is elő tudja majd venni.

1. Ügyeljen arra, hogy a lánc visszarúgás elleni fékfogantyú állásban legyen
2. Csavarja ki a **láncvezető csavart (A-17)** az óramutató járásával ellentétes irányban, ekkor levehető az **oldalsó burkolat (A-18)**.
3. Helyezze a fűrészláncot hurok alakban sima felületre, és egyenesítse ki az esetleges megtöréseket. (B1 ábra)
4. Helyezze a **láncajtó szemeket (B-1)** a láncvezető **hornyába (B-2)**, és a láncvezető hátoldalán a lánc egy hurkot képezzen. (B2 ábra)
5. Tartsa pozícióban a láncot a láncvezetőn, és helyezze a hurkot a meghajtójfé **lánckerékre (B-3)** és ellenőrizze a következő tételeket (B3 ábra):
 - a) A láncajtó szemek beilleszkednek a **lánckerék (B-3)** fogaiba.
 - b) A **láncfeszítőcsavar (B-4)** és a **láncvezető csap (B-5)** a láncvezető a hornyában található. A **feszítőcsap (B-6)** a láncvezető lyukában helyezkedik el.

MEGJEGYZÉS: Győződjön meg arról, hogy a fűrészlánc fogain lévő nyilak előre felé mutatnak (B3 ábra).

6. A „**FÜRÉSZLÁNC MEGFESZÍTÉSE**” című részben nézzen utána, hogy a lánc megfelelően legyen összeszerelve kötés nélkül.
7. Illessze össze az oldalsó burkolaton lévő két **láncvezető rudak (B-7)** a fűrészben lévő megfelelő **lyukakkal (B-8)**, majd illessze rá az oldalsó burkolatot. (B4 ábra)
8. Húzza meg a láncvezető csavart.

B-1	Láncajtó szemek	B-5	Láncvezető csap
B-2	Horony	B-6	Láncfeszítő csap
B-3	Lánckerék	B-7	Láncvezető rudak
B-4	Láncfeszítő csavar	B-8	Lyukak

MEGJEGYZÉS: Ha a láncvezetőt ki kell cserélni, akkor szerelje le az oldalsó burkolatot és szerelje vissza az új láncvezetővel a C ábrán látható módon.

MŰKÖDTETÉS

Minden használat előtt ellenőrizze a terméket, hogy nem sérült-e, nincsenek-e hiányzó vagy laza alkatrészek, például csavarok, anyák, alátétek, stb. Biztonságosan húzzon meg minden rögzítőt és kupakot, és ne működtesse a terméket, amíg minden hiányzó vagy sérült alkatrész ki nincs cserélve.

▲ FIGYELMEZTETÉS: Egyes országokban a gép használatát korlátozó előírások lehetnek érvényben.

▲ FIGYELMEZTETÉS: Ha fáradt, beteg, illetve alkohol vagy egyéb drogok hatása alatt áll, ne működtesse a gépet.

MEGJEGYZÉS: Ha a gép irányíthatatlan, például visszarúg, azonnal kapcsolja le az áramellátást.

ALKALMAZÁS

A termék esőben is használható.

- Ez a láncfűrész kifejezetten arboristák számára, a fák karbantartására készítettük.



Ez a láncfűrész csak olyan személyek használhatják, akik különleges gyakorlattal rendelkeznek a fák karbantartásának területén.

MEGJEGYZÉS: Javasoljuk, hogy a láncfűrész elõször használó személy elõször fűrészbakon vagy vágóállványon gyakorolja a fatörzsek vágását.

A FÜRÉSZLÁNC MEGFESZÍTÉSE

▲ FIGYELMEZTETÉS: Soha ne érjen a lánchoz, és ne állítsa be, amikor jár a motor. A fűrészlánc nagyon éles; mindig viseljen védőkesztyűt, amikor karbantartást végez a láncan.

A fűrészlánc a normális fűrészelési művelet során kinyúlik vagy összehúzódik. Ennek eredményeképpen megváltozik a lánc feszültsége. Munka közben rendszeresen ellenőrizze a lánc feszítését, és ha szükséges, állítsa újra be.

1. Kapcsolja ki a láncfűrész, húzza be a láncféket és húzza ki az elektromos csatlakozódugót.
2. Lazítsa meg a láncvezető csavart úgy, hogy a láncvezető szabadon mozoghasson, ekkor lehet finombeállítást végezni.

3. Tartsa felfelé a láncvezető hegyét, és állítson mindaddig a feszítőcsavaron, míg a következő pontokat el nem éri:

- a) A lánc belógása a láncvezető közepén körülbelül: 1-2 mm (D ábra).

- b) Engedje ki a láncféket, és győződjön meg arról, hogy a láncot két ujjal el lehet húzni a láncvezetőn.

MEGJEGYZÉS: Ezt a lépést óvatosan hajtsa végre, hogy elkerülje a személyi sérüléseket, amelyeket az okozna, hogy ez az egyenáramú motor mágneses anyagokat tartalmaz; a hagyományos üzemanyag-hajtású láncfűrészhez képest egy bizonyos fokú ellenállást kell éreznie, amikor két ujjal elhúzza a láncot. Ez nem meg olyan könnyen, mint az üzemanyag-hajtású láncfűrész esetében.

4. Tartsa felfelé a láncvezető hegyét, és húzza meg erősen a láncvezető csavart.

MEGJEGYZÉS: Ha a lánc belógása a láncvezető közepén nem 1-2 mm körül van, állítsa ismét be a láncfeszítést.

AZ OLAJTARTÁLY FELTÖLTÉSE

- Válassza le az akkumulátoregységet a láncfűrészről.
- Fektesse a láncfűrész az oldalára egy stabil, sima felületen úgy, hogy az olajtartály sapkája felfelé álljon. Nyissa ki az olajtartály sapkáját. Ha túl szorosan zár, használjon egy laposfejű kombinált kulcsot (mellékeltve) a meglazítására (E ábra).
- Óvatosan öntse az olajat az olajtartályba. Töltse fel a betöltőnyak aljáig. Törölje le felesleges olajat, és zárja vissza a sapkát.

MEGJEGYZÉS:

- A láncfűrész a vásárláskor nincs feltöltve olajjal. Használat előtt fel kell tölteni a tartályt olajjal. A lánc működés közben automatikusan bekenésre kerül a láncolajjal.
- Ez speciálisan alacsony sűrűdűdűdhöz és gyorsabb vágásra készült.
- Soha ne használjon olyan olajat vagy egyéb kenőanyagot, amelyeket nem specifikusan a lánckerékhez és a lánchoz terveztek. Ez az olajrendszer eltömődéséhez vezethet, ami a lánckerék és a lánc idő előtti kopását okozhatja.

AZ OLAJÁRAMLÁS SZABÁLYOZÁSA (F ábra)

- Ez a fűrész egy **olajáramlás-beállító csavarral (F-1)** rendelkezik, ami a szerszám alján helyezkedik el; ez a lánc, a lánckerék és a vágórendszer kenését biztosító olaj áramlását szabályozza. A burkolaton meg van jelölve a nyílak irányával, hogyan lehet az olajáramlást növelni vagy csökkenteni.

LED JELZŐLÁMPA A LÁNCFÜRÉSEN

A láncfűrész 2 LED jelzőlámpával van felszerelve, hogy jelezzék az olajállapotot és az akkumulátoregység(ek) töltési

szintjét.

LED jelzőlámpa		Jelentés	Művelet
Alacsony olajsint jelzőlámpa (A-8)	Pirosan villog	Olajhiány	Töltse fel az olajtartályt
	Kialudt	Olaj rendben	/
Akkumulátor jelzőlámpa (A-7)	Zölden világít	Akkumulátor rendben	/
	Villogó zöld	Az akkumulátoregység majdnem lemerült, és azonnal fel kell tölteni.	Töltse fel az akkumulátort

AZ AKKUMULÁTOR-TARTÓ FELSZERELÉSE AZ EMELŐHEVEDERRE

Ez a láncfűrész akkumulátor-tartóval van ellátva, ennek segítségével lehet vinni az akkumulátoregységet, és ezzel lehet felszerelni egy emelőhevederre (nem tartozék).

MEGJEGYZÉS: Szerelje fel erősen az akkumulátor-tartót az emelőhevederre, mielőtt felvenné az emelőhevedert.

⚠ FIGYELMEZTETÉS: A gyorskioldó funkcióval rendelkező hegymászó hevedereket elő kell készíteni a vészhelyzet bekövetkezésének megakadályozására.

- Keressen egy alkalmas pontot, ahol felkötheti ezt az akkumulátor-tartót az emelőhevederre; az emelőhevederen lévő akkumulátor-tartót a **szíjkampóval (G-1)** teheti fel. (G1 ábra)
- Kösse a szíjat az emelőheveder köré, ezzel rögzíti a helyén az akkumulátor-tartót (G2 és G3 ábra).
- Kösse rá a biztonsági heveder két **gyűrűjét (G-2)** az emelőhevederhez két karabiner segítségével (nem tartozék), a G4 ábrán látható módon.

G-1	Szíj kampó	G-2	Gyűrűk
-----	------------	-----	--------

MEGJEGYZÉS:

- Amikor egy fára mászik, kösse rá a biztonsági heveder 1 és 2 jelű gyűrűjét az emelőhevederhez két karabiner segítségével (nem tartozék), a G5 ábrán látható módon.
- Amikor használatban van a szerszám, kapcsolja le a 2 jelű gyűrűt az emelőhevederről, és tartsa a fűrész két kézzel, így végezze el a vágási műveletet (G6 ábra).

A FÜRÉSZ RÖGZÍTÉSE AZ AKKUMULÁTOR-TARTÓHOZE

Kösse rá a biztonsági heveder **fűrész kampóját (H-2)** a **fűzőszemre (H-1)**. (H ábra)

HU

H-1	Fűzőszem	H-2	Fűrész Kampó
-----	----------	-----	--------------

AZ AKKUMULÁTOREGYSÉG BERAKÁSA/KIVÉTELE

MEGJEGYZÉS: Az első használat előtt teljesen töltsse fel az akkumulátoregységet.

Berakás (I1 ábra)

Illesse össze az akkumulátoregység bordáit a szerelőnyílásokkal, majd csúsztassa be az akkumulátoregységet az akkumulátor-tartóba, míg be nem áll a helyére.

Kivétel (I2 ábra)

Az akkumulátoregység eltávolításához nyomja meg az akkumulátor kioldógombot a hüvelykujjával.

A LÁNCFŰRÉSZ INDÍTÁSA/LEÁLLÍTÁSA

Indítás

- Illesse össze az „▲” jelöléseket az **elektromos csatlakozódugón (J-2)** és a láncfűrész **elektromos aljzatán (J-1)**, majd dugja be a dugót a láncfűrészbe annyira, hogy a dugón lévő ZÖLD bélyeg TÖKÉLETESEN eltűnjön az aljzatban (J1 ábra).
- Nyomja a biztonsági „BE/KI” kapcsolót **“BE”** állásba (J2 ábra).
- Húzza a visszarúgás elleni fékfogantyút a főfogantyú felé a ☞ állásba.
- Tolja előre a **rögítőnyelvet (J-3)**, majd nyomja meg az **állítható sebességszabályozó kapcsolót (J-4)**. Minél jobban húzza felfelé az állítható sebességszabályozó kapcsolót, annál nagyobb lesz a fűrészlánc forgási sebessége (J3 ábra).

J-1	Elektromos aljzat	J-3	Rögítőnyelv
J-2	Csatlakozódugó	J-4	Állítható sebességszabályozó kapcsoló

Leállítás

- Engedje ki az állítható sebességszabályozó kapcsolót a láncfűrész megállítása céljából.

MEGJEGYZÉS: A fűrészlánc még egy kis ideig forogni fog azután is, hogy eleresztette az állítható sebességszabályozó kapcsolót. Ügyeljen arra, hogy ne érintse meg a fűrészláncot az állítható sebességszabályozó kapcsoló kiengedése után és a láncfűrész letevése során.

- Tolja a visszarúgás elleni fékfogantyút előre a fékezési állás ☞ felé.
- Fordítsa a “BE-KI” kapcsolót **“KI”** állásba.

▲ FIGYELMEZTETÉS: Mindig csatlakoztassa le az elektromos dugót a láncfűrészről a munkaszünetek során és

a munka befejezésekor.

VÁGÁS ELŐKÉSZÍTÉSE

A fogantyúk helyes megfogása (K ábra)

- Viseljen csúszásgátló kesztyűt a legjobb fogás és védelem érdekében.
- Az elülső fogantyút mindig a bal kezével, a fő fogantyút pedig a jobb kezével fogja.
- Az ujjai fogják körbe a fogantyút, a hüvelykujja az első fogantyú alatt legyen.

▲ FIGYELMEZTETÉS: Soha ne használjon balkezes fogást (fordított fogás), és ne vegyen fel olyan testhelyzetet, amelyben láncfűrész a teste vagy a karja vonalában van.

▲ FIGYELMEZTETÉS: Ne működtesse a sebességszabályozó kapcsolót a bal kezével, és miközben az elülső fogantyút a jobb kezével tartja. Sohase engedje, hogy bármely testrésze egy vonalban legyen a láncsal, amikor működteti a láncfűrész (L ábra).

A LÁNCKENÉS ELLENŐRZÉSE (M ábra)

MEGJEGYZÉS: Győződjön meg arról, hogy a láncfűrész olajtartálya megfelelő mennyiségű láncolajat tartalmaz.

- Tartsa a láncvezetőt a világos színű felület fölött.
- Kapcsolja be a fűrész. A világos színű felületen jól lehet látni az olajsínt 1 perc után, ha a lánckenés megfelelően működik.
- Ha nem látja a világos színű felületen az olajsínt, nézzen utána az **“OLAJÁRAMLÁS BEÁLLÍTÁSA”** című részben és állítsa be.

MŰKÖDTETÉS A FÁBAN

▲ FIGYELMEZTETÉS: ha dolgozik vagy mászik, ajánlatos egy kiegészítő támasztékot használni, például egy lábtartó kengyelt vagy állítható lábtartó kötelet, ami megakadályozza lengést és a vágási baleseteket.

Mielőtt használná, ellenőrizze a következő pontokat:

- Ellenőrizze a **láncvezetőn (N-1)** lévő kopási jeleket; ha a kopási jelek 0,5 mm-nél mélyebbek, lépjen kapcsolatba az EGO szervizzel a láncvezető kicserélése érdekében.
- Ellenőrizze a fékrendszert is, ha a kopási jelek a **fékbetéten (N-2)** egyenlőtlenek, lépjen kapcsolatba az EGO szervizzel a fékbetét kicserélése érdekében. (N ábra)

N-1	Lánckerék	N-2	Fékbetét
-----	-----------	-----	----------

- A láncvezető ellenőrzése, lásd a vonatkozó szakaszt: **A LÁNCVEZETŐ KARBANTARTÁSA**
- A fűrészlánc ellenőrzése, lásd a vonatkozó szakaszt: **A LÁNC KARBANTARTÁSA**
- A láncfék ellenőrzése, lásd a vonatkozó szakaszt: **VISSZARÚGÁS ELLENI BIZTONSÁGI ESZKÖZÖK**

EZEN A LÁNCFŰRÉSZEN

- A szabályozók ellenőrzése, lásd a vonatkozó szakaszt: **A LÁNCFŰRÉSZ INDÍTÁSA/LEÁLLÍTÁSA**
- A lánckenés ellenőrzése, lásd a vonatkozó szakaszt: **A LÁNCKENÉS ELLENŐRZÉSE**

KARBANTARTÁS

TISZTÍTÁS

- Minden használat után tisztítsa le a szennyeződést a láncról és a láncvezetőről egy puha kefével. Törölje le a láncfűrész felületét egy tiszta, kímélő szappanos oldattal megnedvesített ruhával.
- Az alaposabb tisztításhoz távolítsa el az oldalsó burkolatot, vegye le a láncvezetőt és a fűrészláncot, majd egy puha kefe segítségével alaposan távolítsa el a hulladékot a láncvezetőből, a fűrészlánccról és a láncfűrész elektromos részéről, a hajtásrészről.
- Mindig tisztítsa le a faforgácsokat, fűrészport és szennyeződést a láncvezető burkolatról, amikor kicseréli a fűrészláncot.

PORELTÁVOLÍTÁS

1. Húzza ki a hálózati dugót, hagyja lehűlni a láncfűrész, és húzza meg az olajtartály sapkáját.
2. A fűrészfék kiengedése
3. A **poireltávolító burkolat (O-1)** csavarjának meglazítására használjon egy kombinált kulcsot (mellékelve) (O1 ábra).
4. Sűrített levegő használatával távolítsa el a hűtőszármában felgyülemlett fűrészport és faforgácsot, a **levegőbemenet (O-2)** ellenkező oldaláról befújva. (O2 ábra).

O-1	Poireltávolító burkolat	O-2	Levegőbemenet
-----	-------------------------	-----	---------------

A LÁNCVEZETŐ KARBANTARTÁSA

Ha a láncvezető kopás jeleit mutatja, akkor szerelje le a láncfűrész fejről, és a visszaszereléshez fordítsa meg (P1 ábra); ebben az esetben a láncvezető kopása megoszlik a maximális élettartam érdekében.

A láncvezetőt (a **lánc-sínekkel együtt (P-1)** és a **kenőnyílást (P-2)** minden nap a használat után meg

kell tisztítani, és ellenőrizni kell a kopást, valamint a sérüléseket (P2 ábra). A láncvezető sínek lesimítása és sorjázatlantása normál folyamat a láncvezető kopása esetén. Az ilyen hibákat akkor kell lecsiszolni egy reszelővel, amikor jelentkeznek. A láncvezetőt a következő hibák esetén ki kell cserélni.

Kopás a láncvezető síneken, ami lehetővé teszi, hogy a lánc az oldalára feküdjön.

- Elgörbült láncvezető.
- Megrepedt vagy törött sínek.
- Szétnyílt sínek.

A láncvezető végén a láncrerek a csúcán áll. A láncrerek hetente be kell kenni zsíró fecskendővel a láncvezető élettartamának meghosszabbítása érdekében (P3 és P4 ábra). Fordítsa meg az **orr-láncrereket (P-3)**, miközben **áttetsző sárga, áttetsző vörös vagy áttetsző** zsírt pumpál a **kenőnyílásba (P-4)**, míg az egész láncrerek fel nem telik az új zsírral. Ne nyomja be a piszkot a nyílásba.

P-1	Láncvezető sínek	P-3	Láncvezető
P-2	Olajozó nyílás	P-4	Olajozó nyílás

A LÁNC KARBANTARTÁSA

Csak alacsony visszarúgású fűrészláncot használjon ehhez a láncfűrészhez. A gyors vágólánc csökkenti a visszarúgást, ha megfelelően van karbantartva.

A megfelelően éles fűrészlánc könnyedén átvágja a fát kis nyomással is. Soha ne használjon tompa vagy sérült fűrészláncot. A tompa fűrészlánc nagyobb fizikai terhelést jelent, megnöveli a vibrációs terhelés, a vágás eredménye nem kielégítő, és erősebb a kopás.

A könnyű és gyors vágáshoz a láncot megfelelően kell karbantartani. A láncot meg kell élezni, ha a faforgácsok kicsik és porszerűek, a láncot át kell erőtteni a fán vágás közben, vagy a lánc az egyik oldalon jobban vág. A lánc karbantartása alatt vegye figyelembe a következőket:

- Az oldallapok nem megfelelő dőlési szöge megnöveli a visszarúgás esélyét.
- Mélységkorlátozó mozgásteret. A túl alacsony megnöveli a visszarúgás esélyét. A nem elég alacsony csökkenti a vágásképességet.
- Ha a fogak kemény tárgyakba ütköznek, például kapcsokba vagy kövekbe, vagy a fán lévő iszap vagy homok kidörzsölte, akkor a láncot szakképzett szerviztechnikusnak kell megéleznie.

FIGYELMEZTETÉS: javasoljuk, hogy a **fűrészlánc** élezését és karbantartását szakszervizben végeztessék el.

SZÁLLÍTÁS ÉS TÁROLÁS

- Működés közben ne szállítsa a láncfűrész. Tárolás

HU

- vagy szállítás előtt mindig húzza ki a csatlakozódugót.
- Mindig helyezze a láncevezető tokot a láncevezetőre, mielőtt elteszi vagy szállítja a lánCFűrész. Legyen elővigyázatos, ne érjen a lánC éles fogaihoz.
 - Tárolás előtt alaposan tisztítsa meg a lánCFűrész. A lánCFűrész beltéren, olyan száraz helyen tárolja, amely le van zárva, és/vagy amelyhez gyermekek nem tudnak hozzáférni.
 - Tartsa távol maró hatású szerektől, például kerti vegyszerektől, és jégmentesítő sótól.

Környezetvédelem



WEEE (Elektromos és elektronikus berendezések hulladékai) Ne dobja az elektromos felszerelést, az elhasznált akkumulátort és a töltőt a háztartási hulladékok közé! Vigye hivatalos újrahasznosító telephelyre, és tegye hozzáférhetővé a szelektív gyűjtéshez. Az elektromos szerszámokat környezetbarát újrahasznosító üzembe kell vinni.

HIBAELHÁRÍTÁS

PROBLÉMA	OK	MEGOLDÁS
A motor nem indul el.	<ul style="list-style-type: none"> Az akkumulátor-tartó elektromos csatlakozó dugója nem csatlakoztatva a láncfűrészhez. Nincs elektromos kapcsolat az akkumulátor-tartó és az akkumulátor között. A rögzítőnyelv nincs felhajtva. A "BE-KI" kapcsoló "KI" állásban van. A láncfék nem illeszkedik. 	<ul style="list-style-type: none"> Dugja be az akkumulátor-tartó elektromos csatlakozó dugóját a láncfűrészbe. Vegye ki az akkumulátort, ellenőrizze az érintkezőket, és helyezze vissza az akkumulátoregységet. Hajtsa fel a rögzítőnyelvet indítás előtt. Állítsa a "BE-KI" kapcsolót "BE" állásba. Húzza hátrafelé a lánc visszarúgás elleni fékfogantyút az első fogantyú felé, hogy működési helyzetbe kerüljön.
A láncfűrész munka közben leáll.	<ul style="list-style-type: none"> Az akkumulátoregység vagy láncfűrész túl forró. A láncfűrész túlterhelt. Túl sok faforgács elzárja a szellőző csatornát. Az akkumulátoregység lemerült. 	<ul style="list-style-type: none"> Hűtse le az akkumulátoregységet vagy a láncfűrész. Csökkentse a terhelést. A por kitisztítása, lásd a "POR ELTÁVOLÍTÁSA" részt. Töltse fel az akkumulátoregységet
A láncfék nem illeszkedik	<ul style="list-style-type: none"> A szennyeződés megakadályozza a visszarúgás elleni fékfogantyú teljes mozgását. A láncfék esetleg meghibásodott. 	<ul style="list-style-type: none"> Tisztítsa meg a szennyeződésektől a külső láncfék mechanizmust. A javításhoz forduljon az EGO ügyfélszolgálatához.
Vágás közben nincs olajkenés.	<ul style="list-style-type: none"> A lánc olajtartály üres. A láncvezető olaj-kimenete el van dugulva. Megdermedt az olaj alacsony hőmérsékleten. 	<ul style="list-style-type: none"> Láncvezető és lánc kenőanyag feltöltése. Távolítsa el a port az olaj-kimenetből. Cserélje ki megfelelő kenőolajra (ami alkalmas alacsonyabb hőmérsékletekhez)
Az alacsony olajszintet mutató lámpa piros színben villog, vagy szokatlan fényt mutat akkor, amikor az olajtartály fel van töltve olajjal.	<ul style="list-style-type: none"> A szerszám speciális használati szöge miatt az olajtartályban lévő olaj nem tud belépni az olajvezetékbe. Az olaj kategóriája és színe nem az ajánlott. Az alacsony olajszint jelzőlámpa még mindig pirosan villog. 	<ul style="list-style-type: none"> Tegye le a láncfűrész egy vízszintes részre, majd próbálja meg újra. Használja az ajánlott áttetsző sárga, áttetsző vörös vagy áttetsző olajat. A javításhoz forduljon az EGO ügyfélszolgálatához
Az alacsony olajszintet mutató lámpa nem működik akkor, amikor az olajtartályban nincs elég olaj.	<ul style="list-style-type: none"> Az olaj kategóriája és színe nem azonosítható. Még egy kis mennyiségű olaj van az olajtartályban vagy az olajvezetékben. Az alacsony olajszintet mutató lámpa nem működik a fenti okok következtében. 	<ul style="list-style-type: none"> Használja az ajánlott áttetsző sárga, áttetsző vörös vagy áttetsző olajat. A láncfűrész működtesse egy kis ideig, majd figyelje meg újból az olajszint-jelzőt Contact EGO Customer Service for repair.

HU

GARANCIA

EGO GARANCIÁLIS FELTÉTELEK

Kérjük, látogasson el az egopowerplus.eu oldalra, ahol megtalálja a részletes EGO garanciális feltételeket.

CITIȚI TOATE INSTRUCȚIUNILE!



CITIȚI MANUALUL DE INSTRUCȚIUNI

SIMBOL DEEE

Scopul simbolurilor privind siguranța este să vă atragă atenția asupra pericolelor posibile. Simbolurile privind siguranța și explicațiile furnizate cu acestea merită atenția și înțelegerea dumneavoastră. Avertizările simbolurilor nu elimină, prin ele însele, niciun pericol. Instrucțiunile și avertizările pe care le oferă acestea nu pot înlocui măsurile adecvate de prevenire a accidentelor.

⚠️ AVERTISMENT: Asigurați-vă că ați citit și înțelegiți toate instrucțiunile privind siguranța din acest Manual de utilizare, inclusiv toate simbolurile de alertă privind siguranța precum „PERICOL”, „AVERTIZARE” și „ATENȚIE” înainte de a utiliza această sculă. Nerespectarea tuturor instrucțiunilor enumerate mai jos poate duce la electrocutare, incendii și/sau vătămări corporale grave.

SEMNIȚAȚIA SIMBOLURILOR

Această pagină descrie simbolurile de siguranță ce pot apărea pe acest produs. Citiți, înțelegiți și respectați toate instrucțiunile de pe mașină înainte de a o asambla și de a o utiliza.

SIMBOLURI PRIVIND SIGURANȚA



Alertă privind siguranța



Purtați mănuși de lucru rezistente din material durabil



Purtați încălțăminte de protecție antiderapantă



Fiiți conștienți de recul - Evitați contactul vârfului șinei de ghidare cu vreun obiect



Reculul vârfului șinei de ghidare - Contactul vârfului poate cauza deplasarea bruscă în sus și înapoi a șinei de ghidare, putând cauza vătămări grave.



Acest produs este în conformitate cu legislația aplicabilă din Marea Britanie.



Nivel de putere acustică garantat.



Acest produs este în conformitate cu directivele europene aplicabile.

IPX5

Protecție împotriva jeturilor de apă



Pentru a reduce riscul de vătămare, utilizatorul trebuie să citească și să înțeleagă manualul de instrucțiuni înainte de a utiliza acest produs.



Purtați îmbrăcăminte potrivită. Nu purtați eșarfă, cravată sau bijuterii.



urtați ochelari de protecție, antifoaie de protecție a auzului sau căști exterioare și o cască de protecție cu curea pentru bărbie.



Țineți cu două mâini - Utilizați întotdeauna ambele mâini când utilizați ferăstrăul cu lanț.



Informația privind șina de ghidare.



Deșeurile produselor electrice nu trebuie să fie eliminate împreună cu deșeurile menajere. Predați-le unui punct de reciclare autorizat.

V

Volt



Curent continuu

RO

SPECIFICAȚII

Tensiune	56 V	
Temperatură de funcționare recomandată:	-15°C-40°C	
Temperatură de depozitare recomandată:	-40°C-70°C	
Temperatură optimă de încărcare	5°C-40°C	
Lungime de tăiere	300 mm	
Viteza lanțului	20 m/s	
Pasul lanțului	3/8" (9,5 mm)	
Adâncime dinte lanț	1,1 mm	
Tip de lanț de ferăstrău	AC1200 (Recomandat) AC1400/AC1401 (Compatibil) AC1600/AC1601 (Compatibil)	
Tip șină de ghidare	AG1200 (Recomandat) AG1400/AG1401 (Compatibil) AG1600/AG1601 (Compatibil)	
Pas lanț	3/8 inchi (9,5 mm)	
Ecartament lanț	1,1 mm	
Numărul specificat de dinți ai pinionului de angrenare	6	
Capacitate rezervor ulei pentru lanț	250 ml	
Greutate (fără set de acumulatori, teacă de lanț)	3,5 kg	
Nivel de putere sonoră măsurată L_{WA}	98,8 dB(A) K=3 dB(A)	
Nivel de presiune sonoră în poziția operatorului L_{PA}	88,1 dB(A) K=3 dB(A)	
Nivel de putere sonoră garantată L_{WA} (conform directivei 2000/14/CE)	102 dB(A)	
Vibrații a_h	Mâner frontal	1,73 m/s ² K= 1,5 m/s
	Mâner principal	2,21 m/s ² K= 1,5 m/s

■ Valoarea totală declarată a vibrațiilor a fost măsurată în conformitate cu o metodă standard de testare și poate fi utilizată pentru compararea sculelor între ele;

■ Valoarea totală declarată poate fi utilizată în evaluarea preliminară a expunerii.

OBSERVAȚIE: Vibrațiile emise în timpul utilizării efective a sculei electrice pot diferi față de valoarea celor declarate pentru scula utilizată; Pentru protejarea operatorului, utilizatorul trebuie să poarte mănuși și protecții auditive în timpul utilizării efective a produsului.

DESCRIERE

DESCRIEREA FERĂSTRĂULUI DUMNEAVOASTRĂ CU LANȚ (Fig. A1)

1. Lanț ferăstrău
2. Pedală de frână pentru recul
3. Manetă de blocare
4. Mâner principal
5. Declanșator cu viteză variabilă
6. Ochet
7. Indicator de acumulator
8. Indicator de nivel scăzut de ulei
9. Mâner frontal
10. Capac rezervor de ulei
11. Șină de ghidare
12. Orificiu de lubrifiere
13. Roată dințată
14. Șurub de tensionare a lanțului
15. Comutator de siguranță ON-OFF (pomit-oprit)
16. Bolț de ghidare
17. Piuliță pentru șină
18. Ansamblul apărătorii laterale
19. Capac de șurub de reglare a debitului de ulei
20. Capac de îndepărtare a prafului
21. Mecanism de ejectare
22. Contacte electrice
23. Buton de detașare a acumulatorului
24. Cârlig de centură
25. Caramă
26. Curea
27. Cablu cu husă
28. Inelul 1
29. Cârlig pentru ferăstrău
30. Fișă de alimentare
31. Inelul 2
32. Teacă pentru lanț
33. Cheie combinată

RO

LISTA COMPONENTELOR (FIG. A1)

ASAMBLARE


ASAMBLAREA/DEMONTAREA ȘINEI DE GHIDARE ȘI A LANȚULUI

⚠️ AVERTISMENT: Deconectați întotdeauna fișa de alimentare și purtați mănuși de protecție înainte de a asambla sau de a întreține produsul.

⚠️ AVERTISMENT: Citiți toate instrucțiunile, avertizările de siguranță, ilustrațiile și specificațiile livrate împreună cu această sculă electrică. Nerespectarea tuturor instrucțiunilor enumerate mai jos se poate solda cu șoc electric, incendiu și/sau vătămare corporală gravă.

⚠️ AVERTISMENT: Asigurați-vă că comandați șina și lanțul de ferăstrău enumerate în acest manual. Nerespectarea acestuia poate duce la vătămări grave.

Păstrați toate avertizările și instrucțiunile pentru consultare ulterioară.

- Asigurați-vă că pedala frânei de recul este setată pe poziția 
- Deșurubați **piulița pentru șină (A-17)** în sens invers acelor de ceasornic pentru a scoate **ansamblul capacului lateral (A-18)**.
- Așezați lanțul de ferăstrău într-o buclă pe o suprafață dreaptă și îndreptați orice răsuciri. (Fig. B1)
- Amplasați **verigile de antrenare (B-1)** pe **canelura șinei de ghidare (B-2)** și efectuați o buclă din lanț pe spatele șinei. (Fig. B2)
- Mențineți lanțul poziționat pe șina de ghidare și amplasați bucla lanțului în jurul **roții de lanț (B-3)** de pe capul de antrenare și verificați următoarele elemente (Fig. B3):
 - Verigile de antrenare a lanțului sunt așezate în dinții **roții de lanț (B-3)**.
 - Șurubul de tensionare (B-4)** și **șurubul de ghidare (B-5)** se află în fanta șinei de ghidare. **Știftul de tensionare (B-6)** este cuplat în gaura șinei de ghidare.

OBSERVAȚIE: Asigurați-vă că direcția săgeților de pe dinții lanțului de ferăstrău este întotdeauna orientată înainte (Fig. B3).

- Consultați secțiunea „TENSIONAREA LANȚULUI DE FERĂSTRĂU” pentru a vă asigura că lanțul este asamblat corespunzător, fără să fie blocat.
- Aliniați două **tije de ghidare (B-7)** ale ansamblului capacului lateral cu **orificiile respective (B-8)** din ferăstrău, apoi montați ansamblul capacului lateral. (Fig. B4)

- Strângeți piulița pentru șină.

B-1	Verigile de antrenare a lanțului	B-5	Bolț de ghidare
B-2	Canelură	B-6	Știft de tensionare a lanțului
B-3	Roată de lanț	B-7	Tije de ghidare
B-4	Șurub de tensionare a lanțului	B-8	Orificii

OBSERVAȚIE: În cazul care șina de ghidare trebuie înlocuită, demontați ansamblul capacului lateral și reasamblați-l pe noua șină de ghidare conform ilustrațiilor din Fig. C.

FUNȚIONARE

Înainte de fiecare utilizare, inspecțiți întregul produs pentru a identifica piese deteriorate, lipsă sau slăbite, cum ar fi șuruburi, piulițe, șuruburi etc. Strângeți bine toate elementele de fixare și capacele și nu utilizați acest produs până când toate piesele lipsă sau deteriorate nu sunt înlocuite.

⚠️ AVERTISMENT: Unele reglementări naționale pot restricționa utilizarea mașinii.

⚠️ AVERTISMENT: Când sunteți obosit, bolnav sau sub influența alcoolului sau a altor droguri, vă rugăm să nu utilizați mașina.

NOTĂ: Dacă aparatul este scăpat de sub control, cum ar fi recul, vă rugăm să opriți imediat alimentarea.

APLICARE

Produsul poate fi utilizat pe timp de ploaie.

- Acest ferăstrău cu lanț este conceput special pentru tăierea și întreținerea arborilor.



Acest ferăstrău trebuie utilizat numai de persoane care sunt special instruite în lucrările de întreținere a copacilor.

OBSERVAȚIE: Se recomandă ca utilizatorul să practice prima dată cel puțin tăierea buștenilor pe o capră sau pe un suport.

TENSIONAREA LANȚULUI DE FERĂSTRĂU

⚠️ AVERTISMENT: Nu atingeți și nu reglați niciodată lanțul în timp ce motorul funcționează. Lanțul de ferăstrău este foarte ascuțit. Purtați întotdeauna mănuși de protecție când efectuați orice operație de întreținere a lanțului.

Lanțul de ferăstrău se extinde sau se contractă în timpul funcționării normale a ferăstrăului. Ca urmare, tensiunea în lanț se schimbă. Verificați în mod regulat tensiunea lanțului în timpul funcționării și reglați-o dacă este necesar.

1. Opriți ferăstrăul cu lanț, cuplați frâna de lanț și deconectați fișa de alimentare.
2. Slăbiți piulița șinei, astfel încât șina de ghidare să se poată mișca liber pentru reglarea viitoare.
3. Țineți vârful șinei în sus și reglați șurubul de tensiune până când se aplică următoarele puncte:
 - a) Săgeata lanțului în centrul șinei este în aproximativ: 1 - 2 mm (Fig. D).
 - b) Decuplați frâna de lanț, asigurați-vă că lanțul poate fi tras de-a lungul șinei cu două degete.

OBSERVAȚIE: Efectuați cu atenție acest pas pentru a evita vătămările corporale. Datorită faptului că acest motor de curent continuu conține material magnetic, comparați cu ferăstrăul cu lanț convențional pe benzină, atunci când mișcați lanțul de ferăstrău cu două degete, ați simți o anumită rezistență. Nu se mișcă la fel de ușor ca la ferăstrăul cu lanț pe benzină.

4. Țineți vârful șinei în sus și strângeți piulița pentru șină.

OBSERVAȚIE: Dacă săgeata lanțului în centrul șinei nu este de 1-2 mm, reglați tensiunea lanțului.

UMPLEREA REZERVORULUI DE ULEI

1. Deconectați acumulatorul de la ferăstrău cu lanț.
2. Poziționați ferăstrăul cu lanț pe partea laterală pe o suprafață fermă și plană, astfel încât capacul rezervorului de ulei să fie orientat în sus. Deschideți capacul rezervorului de ulei. Dacă este prea strâns, folosiți capul crestat al cheii combinate (furnizate) pentru a-l slăbi (Fig. E).
3. Se toamnă cu grijă uleiul în rezervorul de ulei. Umpleți până la partea de jos a găutului de umplere. Ștergeți orice exces de ulei și închideți capacul.

OBSERVAȚIE:

- În momentul cumpărării, ferăstrăul cu lanț nu este umplut cu ulei. Este esențial să umpleți rezervorul cu ulei înainte de utilizare. Lanțul este uns automat cu ulei de lanț în timpul funcționării.
- Este special concepută pentru a oferi frecare redusă și tăieri mai rapide.
- Nu folosiți niciodată ulei sau alți lubrifianți care nu sunt proiectați special pentru a fi folosiți pe șină și lanț. Acest lucru poate duce la un sistem înfundat de ulei, care poate provoca uzura prematură a șinei și a lanțului.

REGLAREA DEBITULUI DE ULEI (Fig. F)

- Acest ferăstrău este echipat cu un **șurub de reglare a debitului de ulei (F-1)**, situat pe partea inferioară a sculei, este utilizat pentru a regla debitul de ulei pentru

lubrifierea lanțului, a șinei și a sistemului de tăiere. Creșteți sau reduceți debitul de ulei în direcția săgeților așa cum este marcat pe carcasă.

INDICATOR CU LED PE FERĂSTRĂUL CU LANȚ

Ferăstrăul cu lanț este echipat cu 2 indicatoare LED pentru a indica starea uleiului și nivelul de încărcare a acumulatorului (bateriilor).

Indicator cu LED		Semnificație	Acțiune
Indicator de nivel scăzut de ulei (A-8)	Roșu intermitent	Lipsă de ulei	Umpleți rezervorul de ulei.
	Oprit	Are ulei	/
Indicator de acumulator (A-7)	Luminează verde	Setul de acumulatori este încărcat	/
	Verde intermitent	Setul de acumulatori este aproape descărcat și trebuie încărcat imediat.	Încărcați acumulatorul.

FIXAREA TOCULUI PENTRU ACUMULATOR DE HAMUL DE ALPINISM

Acest ferăstrău cu lanț este dotat cu un toc pentru acumulator. Este folosit pentru a transporta setul de acumulatori și permite să fie atașat de hamul de alpinism (nu este furnizat).

OBSERVAȚIE: Fixați ferm tocul acumulatorului pe hamul de alpinism, înainte de a vă echipa cu hamul de siguranță.

⚠️ AVERTISMENT: Hamul de lucru la înălțime cu funcție de eliberare rapidă trebuie să fie pregătit pentru a preveni apariția urgenței.

1. Căutați un punct preferabil pentru a suspenda acest toc pentru acumulator pe hamul de alpinism, suspendați tocul pentru acumulator de hamul de alpinism folosind **cârligul de centură (G-1)**. (Fig. G1)
2. Înfășurați centura în jurul hamului de alpinism pentru a fixa tocul pentru acumulator în poziție (Fig. G2 și G3).
3. Atașați două **inele (G-2)** pe cablul cu husă de siguranță la hamul de alpinism utilizând două carabinere (nu sunt furnizate), așa cum se arată în Fig G4.

G-1	Cârlig de centură	G-2	Inele
-----	-------------------	-----	-------

OBSERVAȚIE:

- Când urcați în copac, atașați inelul 1 și 2 pe cablul cu husă de siguranță de hamul de alpinism folosind carabinere (nu sunt furnizate) (Fig. G5)

RO

- Când se utilizează scula, desprindeți inelul 2 de hamul de alpinism, țineți ferăstrăul cu două mâini pentru a efectua tăierea (Fig. G6).

ASIGURAREA FERĂSTRĂULUI DE TOCUL PENTRU ACUMULATOR

Atașați **cârligul ferăstrăului (H-2)** al cablului cu husă de siguranță de **ochet (H-1)**. (Fig. H)

H-1	Orificiu	H-2	Cârlig pentru ferăstrău
-----	----------	-----	-------------------------

INSTALAREA/ÎNDEPĂRTAREA SETULUI DE ACUMULATORI

OBSERVAȚIE: Reîncărcați complet setul de acumulatori înainte de prima utilizare.

Instalarea (Fig. I1)


Aliniați nervurile reliefate ale setului de acumulatori cu fantele de montare, apoi glesați setul de acumulatori în toc până când se fixează în poziție.

Scoaterea (Fig. I2)

Apăsăți cu degetul mare pe butonul de detașare al setului de acumulatori și scoateți setul de acumulatori.

PORNIREA/OPRIREA FERĂSTRĂULUI CU LANȚ

Pornirea

1. Aliniați marcajele "▲" de pe **fișa de alimentare (J-2)** și **priza electrică** a ferăstrăului cu lanț (**J-1**), apoi introduceți fișa în ferăstrăul cu lanț până când sigiliul VERDE de pe fișă dispăre **COMPLET** în priză (Fig. J1).
2. Împingeți comutatorul pornit/oprit în poziția **"ON"** (pornit) (Fig. J2).
3. Trageți pedala de frână pentru recul spre mânerul principal în poziția .
4. Deplasați **maneta de blocare (J-3)** în direcția înainte și apoi apăsați pe **declanșatorul cu viteză variabilă (J-4)**. Cu cât trageți mai mult declanșatorul cu viteză variabilă, cu atât este mai mare viteza de rotație a lanțului de ferăstrău (Fig. J3).


J-1	Priză electrică	J-3	Manetă de blocare
J-2	Fișă de alimentare	J-4	Declanșator cu viteză variabilă

Oprirea

1. Eliberați declanșatorul cu viteză variabilă pentru a opri ferăstrăul cu lanț.

OBSERVAȚIE: Lanțul de ferăstrău va continua să se rotească pentru o scurtă perioadă de timp după ce declanșatorul de viteză variabilă este eliberat. Aveți grijă să evitați contactul după ce ați eliberat declanșatorul cu viteză

variabilă și când așezați ferăstrăul cu lanț.

2. Împingeți pedala de frână pentru recul înapoi în poziția de frână "  ".
3. Rotiți comutatorul „ON-OFF” (pornit-oprit) în poziția „OFF” (oprit).

▲ AVERTISMENT: Deconectați întotdeauna fișa de alimentare de la ferăstrăul cu lanț în timpul pauzelor de lucru și după terminarea lucrului.

PREGĂTIREA PENTRU TĂIERE

Apucarea corectă a mânerelor (Fig. K)

- Purtați mănuși antiderapante pentru aderență maximă și protecție.
- Apucați întotdeauna mânerul frontal cu mâna stângă și mânerul principal cu mâna dreaptă.
- Degetele trebuie să cuprindă mânerul, cu degetul mare înfășurat sub mânerul frontal.

▲ AVERTISMENT: Nu utilizați niciodată o poziție stângace (cu brațele încrucișate) sau orice altă poziție care v-ar poziționa corpul sau brațul peste linia lanțului.

▲ AVERTISMENT: Nu acționați butonul de declanșare cu mâna stângă și țineți mânerul frontal cu mâna dreaptă. Nu permiteți niciodată unei părți a corpului să se situeze pe linia lanțului în timp ce acționați un ferăstrău cu lanț (Fig. L).

VERIFICAREA LUBRIFIERII LANȚULUI (Fig. M)

OBSERVAȚIE: Asigurați-vă că rezervorul de ulei al ferăstrăului cu lanț a fost umplut cu un volum adecvat de ulei pentru lanț.

1. Țineți șina de ghidare deasupra unei suprafețe de culoare deschisă.
2. Porniți ferăstrăul. Veți vedea o linie clară de ulei pe suprafața de culoare deschisă după 1 minut, dacă lubrifierea lanțului funcționează corect.
3. Dacă uleiul de lanț nu este încă vizibil pe suprafața de culoare deschisă, consultați secțiunea **"REGLAREA DEBITULUI DE ULEI"** pentru a-l regla.

FUNCȚIONAREA ÎN COPAC

▲ AVERTISMENT: când lucrați sau urcați, se recomandă utilizarea suportului suplimentar, cum ar fi etrierul de picior, șnurul reglabil, pentru a preveni balansarea sau un accident de tăiere.

Înainte de a-l utiliza, vă rugăm să verificați următoarele puncte:

- Verificați semnele de uzură de pe **roata de lanț (N-1)**. Dacă semnele de uzură sunt mai adânci de 0,5 mm:

contactați distribuitorul de service EGO pentru a înlocui roata de lanț.

- Verificați și sistemul de frânare, dacă urmele de uzură ale **garniturii de frână (N-2)** sunt inegale, contactați distribuitorul de service EGO pentru a înlocui garnitura de frână. (Fig. N)

N-1	Roată de lanț	N-2	Garnitură de frână
-----	---------------	-----	--------------------

- Pentru verificarea șinei de ghidare, consultați secțiunea aferentă: **ÎNTREȚINEREA ȘINEI DE GHIDARE**
- Pentru verificarea lanțului de ferăstrău, consultați secțiunea aferentă: **ÎNTREȚINEREA LANȚULUI**
- Pentru testarea frânei de lanț, consultați secțiunea aferentă: **DISPOZITIVE DE SIGURANȚĂ PENTRU REcul DE PE ACEST**

FERĂSTRĂU CU LANȚ

- Pentru verificarea comenzilor, consultați secțiunea aferentă: **PORNIREA/OPRIREA FERĂSTRĂULUI CU LANȚ**
- Pentru verificarea lubrifierii lanțului, consultați secțiunea aferentă: **VERIFICAREA LUBRIFIERII LANȚULUI**

ÎNTREȚINERE

CURĂȚARE

- După fiecare utilizare, îndepărtați reziduurile de pe lanț și de pe șina de ghidare cu ajutorul unei perii moi. Ștergeți suprafața ferăstrăului cu o cârpă curată, umezită cu o soluție ce conține un detergent slab.
- Pentru curățare profundă, scoateți ansamblul capacului lateral, scoateți șina de ghidare și lanțul de ferăstrău și apoi utilizați o perie moale pentru a îndepărta temeinic resturile de pe șina de ghidare, lanțul de ferăstrău și roata de antrenare de pe capul de antrenare al ferăstrăului cu lanț.
- Îndepărtați întotdeauna așchiile, rumegușul și murdăria de pe canelura șinei de ghidare când înlocuiți lanțul ferăstrăului.

ÎNDEPĂRTAREA PRAFULUI

- Deconectați fișa de alimentare, lăsați ferăstrăul cu lanț să se răcească și strângeți capacul rezervorului de ulei.
- Aționați frâna ferăstrăului
- Folosiți cheia combinată (furnizată) pentru a slăbi șurubul **capacului de îndepărtare a prafului (O-1)** pentru a-l deschide (Fig. O1).
- Curățați rumegușul și așchiile acumulate în nervurile de răcire folosind aer uscat comprimat, suflați-le din **orificiul de admisie a aerului (O-2)** de pe partea opusă. (Fig. O2).

O-1	Capac de îndepărtare a prafului	O-2	Admisie de aer
-----	---------------------------------	-----	----------------

ÎNTREȚINEREA ȘINEI DE GHIDARE

Când șina de ghidare prezintă semne de uzură, demontați-o de pe blocul motor al ferăstrăului și inversați-o pentru a o reasambla (Fig. P1), în care caz uzura va fi distribuită pentru o durată maximă de viață a șinei de ghidare.

Șina de ghidare trebuie curățată, inclusiv **șinele acesteia (P-1)** și **orificiul de lubrifiere (P-2)** în fiecare zi de utilizare și trebuie verificată pentru depistarea uzurii și a deteriorării (Fig. P2). Eflurajul sau bavurarea șinelor face parte din procesul normal de uzură al șinei. Astfel de defecte pot fi netezite cu o pilă imediat după ce au loc. O șină cu următoarele defecte trebuie înlocuită.

Uzură în interiorul șinelor ce permite lanțului să stea în lateralul șinei.

- Șină de ghidare îndoită.
- Șine crăpate sau sparte.
- Șine întinse.

Șina de ghidare are o roată dințată în vârf. Roata dințată trebuie unsă săptămânal cu o seringă cu vaselină pentru a prelungi durata de viață a șinei de ghidare (Fig. P3 & P4). Rotiți **roata dințată din vârf (P-3)** în timp ce pompați vaselina **translucidă de culoare galbenă, translucidă de culoare roșie sau translucidă în orificiul de lubrifiere (P-4)** până când întreaga roată are vaselină nouă. Nu împingeți murdăria în orificiu.

P-1	Șine ale șinei de ghidare	P-3	Roată dințată
P-2	Orificiu de lubrifiere	P-4	Orificiu de lubrifiere

ÎNTREȚINEREA LANȚULUI

Cu acest ferăstrău utilizați numai lanțuri cu risc redus de recul. Acest lanț de tăiere rapidă va reduce reculul dacă este întreținut corect.

Un ferăstrău ascuțit corect va secționa lemnul fără efort, chiar și cu forță de apăsare foarte mică. Nu utilizați niciodată un lanț tocit sau deteriorat. Un lanț tocit de ferăstrău are tendința să apese mai tare, duce la creșterea încălzirii vibratorii, la rezultate de tăiere nesatisfăcătoare și la uzură sporită.

Pentru tăiere uniformă și rapidă, lanțul trebuie întreținut corespondent. Lanțul trebuie ascuțit când așchiile de lemn sunt mici și prăfoase, când lanțul trebuie forțat prin lemn în timpul tăierii sau dacă lanțul taie într-o parte. În timpul întreținerii lanțului, luați în considerare următoarele:

- Un unghi necorespondent de pilire al plăcii laterale poate crește riscul de recul sever.
- Distanța limitatorului de adâncime. Prea mică, va crește

RO

potențialul de recul. Insuficient de mică, descrește capacitatea de tăiere.

- Dacă dinții de tăiere lovesc obiecte tari precum cuiile și pietrele, sau dacă s-au murdărit de noroi sau nisip de pe lemn, dați lanțul la ascuțit unui tehnician de service autorizat.

OBSERVAȚIE: se recomandă ca ascuțirea și întreținerea lanțului de ferăstrău să fie efectuate de centre de service autorizate.

TRANSPORTAREA ȘI DEPOZITAREA

- Nu depozitați sau transportați ferăstrăul cu lanț când acesta este în funcțiune. Deconectați întotdeauna fișa de alimentare înainte de depozitare sau transport.
- Plasați întotdeauna teaca de șină pe șina de ghidare și lanț înainte de a depozita sau transporta ferăstrăul. Fiți precaut pentru a evita dinții ascuțiți ai lanțului.
- Curățați bine ferăstrăul înainte de a-l depozita. Depozitați ferăstrăul cu lanț în interior, într-un loc uscat care este închis cu cheia și/sau inaccesibil copiilor.
- Țineți-l la distanță de agenți corozivi, precum substanțele chimice de grădină și sărurile de dezghețare.

Protejarea mediului înconjurător



DEEE (Deșeuri de echipamente electrice și electronice) - Nu eliminați echipamentul electric, acumulatorul epuizat și încărcătorul de acumulator împreună cu deșeurile menajere! Predați acest produs unui punct de reciclare autorizat și puneți-l la dispoziția colectării separate. Sculele electrice trebuie returnate unui centru de reciclare ecologic.

DEPANARE

PROBLEMĂ	CAUZĂ	SOLUȚIE
Motorul nu pornește.	<ul style="list-style-type: none"> ■ Fișa de alimentare a tocului pentru acumulator nu este atașată la ferăstrăul cu lanț. ■ Nu există contact electric între tocul pentru acumulator și acumulator. ■ Maneta de blocare nu este ridicată. ■ Comutatorul „ON-OFF” (pornit-oprit) este poziționat pe „OFF” (oprit). ■ Frâna de lanț este activată. 	<ul style="list-style-type: none"> ■ Introduceți fișa de alimentare a tocului pentru acumulator în ferăstrăul cu lanț. ■ Îndepărtați acumulatorul, verificați contactele și reinstalați setul de acumulatori. ■ Ridicați maneta de blocare înainte de a porni. ■ Rotiți comutatorul „ON-OFF” (pornit-oprit) în poziția „ON” (pornit). ■ Trageți pedala frânei de recul a lanțului în spate, spre mânerul superior în poziția de funcționare.
Ferăstrăul cu lanț se oprește în timpul funcționării.	<ul style="list-style-type: none"> ■ Setul de acumulatori sau ferăstrăul sunt prea calde. ■ Ferăstrăul cu lanț este suprasolicitat. ■ Prea multe bucățele de lemn blochează canalul de ventilație. ■ Setul de acumulatori este descărcat. 	<ul style="list-style-type: none"> ■ Lăsați să se răcească setul de acumulatori sau ferăstrăul. ■ Reduceți sarcina. ■ Curățați praful, consultați partea „ÎNDEPĂRTAREA PRAFULUI”. ■ Încărcați setul de acumulatori.
Frâna de lanț nu se activează	<ul style="list-style-type: none"> ■ Resturi împiedică mișcarea completă a mânerului frânei de recul a lanțului. ■ Este posibil ca frâna de lanț să nu funcționeze corect 	<ul style="list-style-type: none"> ■ Curățați resturile de pe mecanismul extern al frânei lanțului. ■ Contactați Serviciul clienți EGO pentru reparații.
Absența lubrifierii cu ulei la tăiere.	<ul style="list-style-type: none"> ■ Rezervorul de ulei de lanț este gol. ■ Orificiul de evacuare a uleiului de pe șina lanțului este blocat ■ Solidificarea uleiului la temperatură scăzută 	<ul style="list-style-type: none"> ■ Umplerea cu lubrifiant de șină și de lanț. ■ Curățați praful din orificiul de evacuare a uleiului. ■ Schimbați uleiul de ungere adecvat (potrivit pentru temperatură scăzută)
Indicatorul de nivel scăzut de ulei clipește în culoarea roșie sau arată o lumină anormală în timp ce rezervorul de ulei este plin cu ulei.	<ul style="list-style-type: none"> ■ Unghiul de utilizare specială a mașinii face ca uleiul din rezervorul de ulei să nu intre în conducta de ulei. ■ Nu se recomandă categoria și culoarea uleiului. ■ Indicatorul de nivel scăzut de ulei încă luminează intermitent în roșu. 	<ul style="list-style-type: none"> ■ Așezați ferăstrăul cu lanț în poziție orizontală și încercați din nou. ■ Utilizați uleiul galben translucid, roșu translucid sau uleiul translucid recomandat. ■ Contactați Serviciul clienți EGO pentru reparații.
Indicatorul de nivel scăzut de ulei nu funcționează în timp ce rezervorul de ulei nu are ulei.	<ul style="list-style-type: none"> ■ Categoria și culoarea uleiului nu pot fi identificate. ■ O cantitate mică de ulei este încă în rezervorul sau conducta de ulei ■ Indicatorul de nivel scăzut de ulei încă nu funcționează din motivele de mai sus. 	<ul style="list-style-type: none"> ■ Utilizați uleiul galben translucid, roșu translucid sau uleiul translucid recomandat. ■ Folosiți ferăstrăul cu lanț o perioadă de timp și apoi observați din nou indicatorul de nivel scăzut de ulei. ■ Contactați Serviciul clienți EGO pentru reparații.

RO



GARANȚIE

POLITICA PRIVIND GARANȚIA EGO

Vă rugăm să consultați site-ul egopowerplus.eu pentru termenii și condițiile complete ale politicii privind garanția EGO.

RO

PREBERITE VSA NAVODILA!



PREBERITE PRIROČNIK Z NAVODILI ZA UPORABO

VARNOSTNI SIMBOL

Namen varnostnih simbolov je, da vas opozorijo na morebitne nevarnosti. Bodite pozorni na varnostne simbole in njihova pojasnila ter jih poskušajte razumeti. Opozorilni simboli sami ne odpravljajo nobene nevarnosti. Navodila in opozorila ne nadomeščajo ustreznih ukrepov za preprečevanje nesreč.

⚠ OPOZORILO: poskrbite, da pred uporabo tega orodja preberete in razumete vsa varnostna navodila v tem priročniku za uporabo, vključno z vsemi simboli za varnostna opozorila, kot so »NEVARNOST«, »OPOZORILO«, in »SVARILO«. Zaradi neupoštevanja spodaj navedenih navodil lahko pride do električnega udara, požara in/ali resnih telesnih poškodb.

POMEN SIMBOLA

Na tej strani so prikazani in opisani varnostni simboli, ki se lahko pojavijo na tem izdelku. Preberite in osvojite navodila na napravi ter jih upoštevajte, preden se lotite sestavljanja in upravljanja stroja.

VARNOSTNI SIMBOLI



Varnostno opozorilo



Nosite vzdržljive delovne rokavice iz trpežnega materiala.



Nosite obutev z neдрсеčim podplatom.



Pazite na povratni udarec - kontaktu meča s katerim koli predmetom se je treba izogniti.



Povratni udarec konice meča - kontakt konice lahko povzroči, da se meč nenadoma premakne navzgor in nazaj, kar lahko povzroči resno poškodbo.



Ta izdelek je v skladu z veljavno zakonodajo Združenega kraljestva.



Zajamčena raven zvočnega tlaka.



Ta izdelek je skladen z veljavnimi direktivami ES.

IPX5

Zaščita pred vodnimi curki



Za zmanjšanje nevarnosti telesnih poškodb je pomembno, da uporabnik pred uporabo tega izdelka prebere priročnik za uporabo in se z njim seznaní.



Nosite tesno prilegajoča oblačila. Ne nosite šala, kravate ali nakita.



Nosite zaščitna očala, čepke za ušesa ali naušnike in zaščitno čelado, ki se pritrí pod brado.



Prijem z obema rokama - pri upravljanju veržne žage vedno uporabljajte dve roki.



Informacije o meču.



Odpadnih električnih izdelkov ne odlagajte med gospodinjne odpadke. Odnosite jih na pooblaščen obrat za recikliranje.

V

Napetost



Enosmerni tok

SL

TEHNIČNI PODATKI

Napetost	56 V	
Priporočena delovna temperatura:	Od -15°C do 40°C	
Priporočena temperatura za shranjevanje:	Od -40°C do 70°C	
Optimalna temperatura polnjenja	Od 5°C do 40°C	
Dolžina žaganje	300 mm	
Hitrost verige	20 m/s	
Delitev verige	3/8" (9,5 mm)	
Širina utora	1,1 mm	
Vrsta rezalne verige	AC1200 (priporočeno) AC1400/AC1401 (družljivo) AC1600/AC1601 (družljivo)	
Vrsta vodila meča	AG1200 (priporočeno) AG1400/AG1401 (družljivo) AG1600/AG1601 (družljivo)	
Korak verige	3/8" (9,5 mm)	
Merilnik verige	1,1 mm	
Določeno število zob gonilnega zobnika	6	
Kapaciteta rezervoarja za olje za verigo	250 ml	
Teža (brez baterijskega sklopa, pokrova verige)	3,5 kg	
Izmerjena raven zvočne moči L_{WA}	98,8 dB(A) K=3 dB(A)	
Raven zvočnega tlaka v delovnem položaju L_{PA}	88,1 dB(A) K=3 dB(A)	
Zajamčena raven zvočnega tlaka L_{WA} (v skladu z 2000/14/ES)	102 dB(A)	
Tresljaji a_h	Sprednji ročaj	1,73 m/s ² K= 1,5 m/s
	Glavni ročaj	2,21 m/s ² K= 1,5 m/s

- Nazivna skupna vrednost tresljajev je bila izmerjena v

skladu s standardno preskusno metodo in jo je mogoče uporabiti za primerjavo enega orodja z drugim.

- Nazivno skupno vrednost tresljajev je mogoče uporabiti tudi za predhodno oceno izpostavljenosti.

OPOMBA: oddajanje tresljajev med dejansko uporabo električnega orodja se lahko razlikuje od nazivne vrednosti, v kateri se uporablja orodje. Upravljaavec se lahko zaščiti tako, da uporablja rokavice in nausnike, primerne dejanskim pogojem uporabe.

OPIS

SPOZNAJTE SVOJO VERIŽNO ŽAGO (sl. A1)

1. Rezalna veriga
2. Ročaj zavore verige ob povratnem udarcu
3. Zaklepni jeziček
4. Glavni ročaj
5. Sprožilec spreminjanja hitrosti
6. Vstavitvena odprtina
7. Indikator akumulatorja
8. Indikator nizke ravni olja
9. Sprednji ročaj
10. Pokrov rezervoarja za olje
11. Vodilo meča
12. Luknja za mazanje
13. Veržnik
14. Napenjalni vijak
15. Varnostno stikalo VKLOP/IZKLOP
16. Vodilo sornika
17. Matica
18. Sestavljanje stranskega pokrova
19. Držalo vijakov za prilagajanje pretoka olja
20. Pokrov za odstranjevanje prahu
21. Mehanizem za izmet
22. Električni kontakti
23. Gumb za sprostitvev baterije
24. Kavelj za pas
25. Zaponka
26. Trak
27. Jermen z žico
28. Obroč 1
29. Kavelj za žago
30. Električni vtičič
31. Obroč 2
32. Pokrov verige
33. Kombiniran ključ

VSEBINA PAKETA (SL. A1)

SESTAVLJANJE

NAMEŠČANJE/RAZSTAVLJANJE DRAGA IN VERIGE


SL

⚠ OPOZORILO: pred sestavljanjem ali vzdrževanjem izdelka vedno izklopite električni vtičnik in nosite zaščitne rokavice.

⚠ OPOZORILO: preberite vsa varnostna opozorila, navodila, slike in tehnične podatke, ki so priloženi temu električnemu orodju. Zaradi neupoštevanja spodaj navedenih navodil lahko pride do električnega udara, požara in/ali hudih telesnih poškodb.

⚠ OPOZORILO: Zagotovite, da boste naročili sabljo in verigo žage, ki sta navedeni v tem priročniku. Če tega ne upoštevate, lahko pride do resnih telesnih poškodb.

Vsa opozorila in navodila shranite za kasnejšo uporabo.

- Poskrbite, da je ročaj zavore verige ob povratnem udarcu nastavljen na položaj .
- Odvijte **matico (A-17)** v nasprotni smeri urnega kazalca, da odstranite **stranski pokrov (A-18)**.
- Rezalno verigo v obliki zanke položite na ravno površino in okrepite vse vozle (sl. B1).
- Člene gonila (B-1)** namestite v **utor (B-2)** na vodilu meča in na zadnji strani vodila meča oblikujte verigo v zanko (sl. B2).
- Verigo držite v položaju na vodilu meča in zanko namestite okoli **zobnika verige (B-3)** pogonske enote in preverite sledeče elemente (sl. B3):
 - Členi gonila so nameščeni v zobeh **zobnika verige (B-3)**.
 - Napenjalni vijak (B-4) in vodilo vijaka (B-5)** sta v reži vodila meča. Napenjalni zatič (B-6) je aktiviran v odprtini vodila meča.

OPOMBA: poskrbite, da so zobci rezalne verige vedno obrnjeni naprej (sl. B3).

- Oglejte si poglavje »NAPENJANJE REZALNE VERIGE«, da zagotovite pravilno sestavljanje verige brez vezave.
- Uskladite dva **vzmetna vodila (B-7)** stranskega pokrova z ustreznima **odprtinama (B-8)** v žagi, nato namestite stranski pokrov. (sl. B4)
- Privijte matice.

B-1	Členi gonila	B-5	Vodilo sornika
B-2	Utor	B-6	Napenjalni zatič
B-3	Zobnik verige	B-7	Vzmetna vodila
B-4	Napenjalni vijak	B-8	Odprtine

OPOMBA: če je treba zamenjati vodilo meča, razstavite stranski pokrov in ga ponovno sestavite z novim vodilom meča, kot prikazuje slika C.

UPRAVLJANJE

Pred vsako uporabo celoten izdelek preglejte za morebitne poškodovane, manjkajoče ali razrahljane dele, kot so vijaki, matice, sorniki itd. Varno privijte vse pritrdilne elemente in pokrovčke ter izdelka ne uporabljajte, dokler ne zamenjate vseh manjkajočih ali poškodovanih delov.

⚠ OPOZORILO: Nekateri nacionalni predpisi lahko omejujejo uporabo stroja.

⚠ OPOZORILO: Kadar ste utrujeni, bolni oziroma pod vplivom alkohola ali drugih snovi, stroja ne uporabljajte.

OPOMBA: Če delovanja stroja ne morete nadzorovati, na primer zaradi povranega udara, nemudoma izklopite napajanje.

UPORABA

Izdelek se lahko uporablja v dežju.

- Verižna žaga je namenjena samo obrezovanju in vzdrževanju dreves.



To žago lahko uporabljajo samo osebe, ki so usposobljene za vzdrževanje dreves.

OPOMBA: neizkušenim uporabnikom priporočamo, da najprej vadijo žaganje debel na stolici ali posebni opori za žaganje.

NAPENJANJE REZALNE VERIGE

⚠ OPOZORILO: medtem ko motor teče, se ne dotikajte ali prilagajajte verige. Rezalna veriga je zelo ostra; med vzdrževanjem verige vedno nosite zaščitne rokavice.

SL

Med upravljanjem žage se rezalna veriga razteza ali krči. Posledično se spremeni napetost verige. Med upravljanjem redno preverjajte napetost verige in jo po potrebi prilagajajte.

- Izklopite verižno žago, vklopite verižno zavoro in izklopite električni vtičnik.
- Zrahljajte matico, da se vodilo meča lahko prosto giblje za prihodnje prilagoditve.
- Dvignite prijemalno čeljust in prilagodite napenjalni vijak, dokler se ne zgodi sledeče:
 - Povešenost verige na sredini droga je okrog: 1–2 mm (slika D).
 - Sprostite zavoro verige in poskrbite, da verigo lahko povlečete ob drogu z dvema prstoma

OPOMBA: ta korak izvedite previdno, da se izognete telesnim poškodbam. V primerjavi z običajno bencinsko verižno žago ta enosmerni motor vsebuje magnetni material, ko rezalno verigo zaženete z dvema prstoma, čutite določeno količino upora. Ni tako tekoče kot pri

bencinski verižni žagi.

4. Dvignite prijemalno čeljust in privijte matico.

OPOMBA: če povešenost verige na sredini droga ni 1–2 mm, ponovno prilagodite napetost verige.

POLNJENJE REZERVOARJA ZA OLJE

1. Baterijski sklop izklopite iz motorne žage.
2. Verižno žago položite na stran na trdo, ravno površino, tako da je pokrov rezervoarja za olje obrnjen navzgor. Odprite pokrov rezervoarja za olje. Če je pretesen, uporabite utorno glavo kombiniranega ključa (priložen), da ga zrahljate (sl. E).
3. Previdno nalijte olje v rezervoar. Napolnite do dna polnilne odprtine rezervoarja. Obrišite odvečno olje in zaprite pokrov rezervoarja.

OPOMBA:

- Ob nakupu v verižni žagi ni olja. Izjemno pomembno je, da pred uporabo rezervoar napolnite z oljem. Med delovanjem je veriga samodejno namazana z oljem za verigo.
- To olje je posebej zasnovano za zagotavljanje manjšega trenja in hitrejšega rezanja.
- Nikoli ne uporabljajte olja ali drugih maziv, ki niso namenjena specifično drogovom in verigam. To lahko vodi k zamašitvi oljnega sistema, zaradi česar se lahko drog in veriga predčasno obrabita.

PRILAGAJANJE PRETOKA OLJA (sl. F)

- Žaga je opremljena z vijakom za prilagajanje pretoka olja (F-1), ki se nahaja na dnu orodja in se uporablja pri prilagajanju pretoka olja za mazanje verige, droga ali rezalnega sistema. Povečujte in zmanjšujte pretok olja v smeri puščic, kot je prikazano na ohišju.

INDIKATOR LED NA VERIŽNI ŽAGI

Verižna žaga je opremljena z 2 indikatorjema LED, ki nakazuje status olja in nivo napoljenosti baterijskega sklopa.

Indikator LED	Pomen	Dejanje
Indikator nizke ravni olja (A-8)	Utripa rdeče	Pomanjkanje olja
	Ne sveti	Ima olje
Indikator akumulatorja (A-7)	Sveti zeleno	Baterijski sklop ima moč
	Utripa zeleno	Baterijski sklop je izprazen in ga je treba takoj napolniti.

PRITJEVANJE ETUIJA ZA AKUMULATOR NA PLEZALNI PAS

Verižni žagi je priložen etui za akumulator, ki se uporablja za nošenje baterijskega sklopa in se lahko pritrdi na plezalni pas (ni priložen).

OPOMBA: čvrsto pritrdite etui za akumulator na plezalni pas, preden ga oblečete.

⚠ OPOZORILO: Da preprečite nesreče, je treba pripraviti plezalno vrv s funkcijo hitre sprostitve.

1. Poiščite najboljše mesto na plezalnem pasu, kamor lahko obesite etui za akumulator, in ga obesite na plezalni pas s **kavljem za pas (G-1)** (sl. G1).
2. Pas ovijte okrog plezalnega pasu, da pritrdite etui za akumulator na eno mesto (sl. G2 & G3).
3. **Obroč (G-2)** varnostnega jermena z žico pritrdite na plezalni pas z uporabo dveh vponk (nista priloženi), kot prikazuje sl. G4.

G-1	Kavelj za pas	G-2	Obroč
-----	---------------	-----	-------

OPOMBA:

- Med plezanjem na drevo pritrdite obroča 1 & 2 varnostnega jermena z žico na plezalni pas z uporabo vponk (nista priloženi) (sl. G5).
- Med uporabo orodja odprite obroč 2 od plezalnega pasu in žagajte tako, da držite žago z dvema rokama (sl. G6).

PRITRJEVANJE ŽAGE NA ETUI ZA AKUMULATOR

Kavelj za žago (H-2) varnostnega jermena z žico pritrdite v **vstavitveno odprtino (H-1)**. (slika H)

H-1	Vstavitvena odprtina	H-2	Kavelj za žago
-----	----------------------	-----	----------------

NAMEŠČANJE/ODSTRANJEVANJE BATERIJSKEGA SKLOPA

OPOMBA: pred prvo uporabo popolnoma napolnite baterijski sklop.

Namestitev (slika I1)

Uskladite rebra baterijskega sklopa z režami za montažo, nato spustite baterijski sklop v etui za akumulator, dokler ne skoči v pravi položaj.

Odstranjevanje (slika I2)

S palcem pritisnite gumb za sprostitve baterije, da odstranite baterijski sklop.

ZAGON/ZAUSTAVITEV VERIŽNE ŽAGE

Zagon

- Uskladite oznake » ▲ « na električnem vtiakaču (J-2) in električni vtičnici (J-1) verižne žage, nato vstavite vtičač v verižno žago, dokler ZELENI pečat na vtiakaču POPOLNOMA ne izgine v vtičnici (sl. J1).
- Stikalo »VKLOP/IZKLOP« nastavite na »VKLOP« (sl.J2).
- Ročaj zavore verige ob povratnem udarcu potegnite proti glavnemu ročaju v položaju .
- Zaklepni jeziček (J-3) potisnite naprej, nato pritisnite sprožilec spreminjanja hitrosti (J-4). Bolj kot vlečete sprožilec spreminjanja hitrosti navzgor, večje je vrtilna hitrost rezalne verige (sl. J3).

J-1	Električna vtičnica	J-3	Zaklepni jeziček
J-2	Električni vtičač	J-4	Sprožilec spreminjanja hitrosti

Zaustavitev

- Sprostite sprožilec spreminjanja hitrosti, da zaustavite verižno žago.

OPOMBA: ko sprostite sprožilec spreminjanja hitrosti, se bo verižna žaga kratek čas še vedno vrtela. Pazite, da se po sprostitvi sprožilca spreminjanja hitrosti in med odložitvijo verižne žage izogibate stiku.

- Potisnite ročaj zavore verige ob povratnem udarcu naprej proti položaju zavore » «.
 - Stikalo za »VKLOP/IZKLOP« nastavite na »IZKLOP«.
- ▲ OPOZORILO:** Med delovnimi odmori in po končanem delu iz verižne žage vedno odstranite električni vtičač.

PRIPRAVA ZA REZANJE

Primeren oprijem na ročajih (slika K)

- Za najboljši prijem in zaščito nosite protizdrzne rokavice.
- Sprednji ročaj vedno primite z levo roko, glavnega pa z desno roko.
- Prsti morajo obkrožiti ročaj, palec pa mora biti ovit pod sprednjim ročajem.

▲ OPOZORILO: nikoli ne uporabljajte levoročnega prijema (prekrižanih rok) ali položaja, ob katerem bi bila vaše telo ali roka preko linije verige.

▲ OPOZORILO: sprožilca stikala ne upravljajte z levo roko in ne držite sprednjega ročaja z desno roko. Med upravljanjem verižne žage nikoli ne dovolite, da bi bil kateri koli del vašega telesa v liniji verige.

PREVERJANJE NAOLJENOSTI VERIGE (sl. M)

OPOMBA: poskrbite, da je rezervoar za olje napolnjen z ustrežno količino olja za verigo.

- Vodilo meča držite nad svetlo površino.
- Vklopite žago. Po 1 minuti boste na svetli površini zagledali jasno črto olja, če naoljenost verige deluje pravilno.
- Če olje za verigo še vedno ni vidno na svetli površini, si oglejte poglavje o „PRILAGAJANJE PRETOKA OLJA“, da ga prilagodite.

UPRAVLJANJE V DREVESIH

▲ OPOZORILO: med delom ali plezanjem je priporočljiva uporaba dodatne podpore kot na primer streme za nogo in nastavljen pas, da preprečite nihanje ali da se ne porežete.

Pred uporabo, prosimo, da preverite sledeče točke:

- Preverite, če so sledi obrabe na zobniku verige (N-1) globlje kot 0,5 mm: pokličite svojega serviserja EGO za menjavo zobnika verige.
- Preverite tudi zavorni sistem. Če so sledi obrabe na zavorni oblogi (N-2) neenakomerne, pokličite svojega serviserja EGO za menjavo zavorne obloge (slika N).

N-1	Zobnik verige	N-2	Zavorna obloga
-----	---------------	-----	----------------

- Preverite vodilo meča, sledite ustreznemu poglavju: **VZDRŽEVANJE VODILA MEČA**
- Preverite rezalno verigo, sledite ustreznemu poglavju: **VZDRŽEVANJE VERIGE**
- Testiranje zavore verige, sledite ustreznemu poglavju: **VARNOSTNE NAPRAVE NA VERIŽNI ŽAGI PROTI POVRTNEMU UDARCU**

VERIŽNA ŽAGA

- Preverite stikalno ploščo, sledite ustreznemu poglavju: **ZAGON/ZAUSTAVITEV VERIŽNE ŽAGE**
- Preverite naoljenost verige, sledite ustreznemu poglavju: **PREVERJANJE NAOLJENOSTI VERIGE**

VZDRŽEVANJE

ČIŠČENJE

- Po vsaki uporabi z mehko krtačo z žage in vodila meča odstranite delce. Površino verižne žage obrišite s čisto in vlažno krpo ter nekaj mile čistilne raztopine.

SL

- Za globoko čiščenje odstranite sestavljanje stranskega pokrova, umaknite vodilo meča in verižno žago ter nato z mehko krtačko temeljito odstranite nečistočo z vodila meča, verižne žage in pogonskega zobnika na pogonski enoti verižne žage.
- Pri čiščenju verige vedno očistite delce lesa, žagovino in umazanijo iz utora vodila meča.

ODSTRANITE PRAH

1. Odstranite električni vtičak, počakajte, da se verižna žaga ohladi in privijte pokrov rezervoarja za olje.
2. Vključite zavoro žage.
3. S kombiniranim ključem (priložen) zrahljajte vijak s **pokrova za odstranjevanje prahu (O-1)** in ga odprite (sl. O1).
4. S stisnjem suhim zrakom počistite žagovino in delčke, ki so se nabrali v hladilnem rebro. Pihajte z nasprotni strani **dovoda zraka (O-2)** (sl. O2).

O-1	Pokrov za odstranjevanje prahu	O-2	Dovod zraka
-----	--------------------------------	-----	-------------

VZDRŽEVANJE VODILA MEČA

Če je vodilo meča obrabljeno, ga razstavite s pogonske enote verižne žage in ga obrnite ter ponovno sestavite (slika P1), s čimer boste porazdelili obrabo in podaljšali življenjsko dobo meča.

Drog je treba očistiti (vključno s **tirnicami meča (P-1)** in **luknjo za mazanje (P-2)**) vsak dan uporabe in ga preveriti za obrabo in poškodbe (sl. P2). Na tirmah meča se lahko pojavijo nitke oziroma igle, kar je normalen proces obrabe. Takšne napake je treba zgladiti s pilo takoj, ko se pojavijo. Meč, s katero izmed naslednjih napak, je treba zamenjati.

- Obraba znotraj tirnic meča, ki dovoljuje verigi, da je nameščena preko stranic.
- Zvito vodilo meča.
- Počene tirnice.
- Razširjene tirnice.

Meč ima na konici zobnik. Zobnik je treba tedensko mazati z mastjo iz brizgalke, da podaljšate življenjsko dobo vodila meča (sliki P3 & P4). Obrnite **nosni zobnik (P-3)**, medtem ko v **luknjo za mazanje (P-4)** črpate prozorno rumeno, prozorno rdečo ali prozorno mast, dokler celoten zobnik nima nove masti. V odprtino ne potiskajte umazanije.

P-1	Tirnice meča	P-3	Verižnik
P-2	Luknja za mazanje	P-4	Luknja za mazanje

VZDRŽEVANJE VERIGE

S to žago uporabljajte le verige z nizkim povratnim udarcem. Ob pravilnem vzdrževanju bo ta žaga, ki omogoča hitro žaganje, zagotavljala zmanjšanje povratnega udarca.

Primerno nabrušena veriga reže skozi les brez napora tudi z zelo malo pritiska. Nikoli ne uporabljajte tope ali poškodovane verige. Topo rezilo verige vodi k povečani fizični obremenitvi, povečani obremenitvi zaradi vibracij, slabšim rezultatom žaganja in povečani obrabi.

Za gladko in hitro žaganje je treba verigo pravilno vzdrževati. Veriga zahteva ostrenje, kadar so lesni delci majhni in prašni, kadar je treba žago s silo potiskati skozi les med žaganjem ali če veriga reže na eno stran. Med vzdrževanjem svoje verige upoštevajte sledeče:

- Nepravilen kot piljenja stranske plošče lahko poveča tveganje za močan udarec nazaj.
- Razdalja merilnika globine. Premajhna razdalja poveča možnost za povratni udarec. Če razdalja ni dovolj nizka, zmanjša sposobnost žaganja.
- Če so zobje rezila zadeli ob trde predmete, kot so žebli in kamni, ali pa sta jih zdrsala blato ali pesek na lesu, naj verigo nabrusi kvalificiran serviser.

OPOMBA: priporočljivo je, da **rezalno žago** nabrusi in vzdržuje kvalificiran serviser.

PREVOZ IN SHRANJEVANJE

- Verižne žage ne prenašajte ali shranjujte kadar je v teku. Pred skladiščenjem ali transportom vedno odstranite električni vtičak.
- Na vodilo meča in verigo pred skladiščenjem ali transportom verižne žage vedno namestite pokrov. Bodite previdni, da se izognete ostrim zobem verige.
- Pred skladiščenjem verižno žago temeljito očistite. Verižno žago skladiščite v notranjem prostoru, ki je zaklenjen in/ali nedostopen otrokom.
- Orodja ne shranjujte v bližini korozivnih sredstev, kot so vrtna kemikalije in soli za topljenje ledu.

Varovanje okolja



Odpadna električna in elektronska oprema: električne opreme, rabljene baterije in polnilnika ne odvrzite med gospodinske odpadke. Izdelek odnesite v pooblaščen obrat za recikliranje in ga zavrzite ločeno. Električna orodja je treba odnesti na obrat za recikliranje in ga reciklirati na okolju prijazen način.

ODPRAVLJANJE TEŽAV

TEŽAVA	VZROK	REŠITEV
Motorja ni mogoče zagnati.	<ul style="list-style-type: none"> ■ Baterijski sklop etuija za akumulator ni pritrjen na verižno žago. ■ Med etuijem za akumulator in baterijo ni električnega stika. ■ Zaklepni jeziček ni zložen. ■ Stikalo za »VKLOP/IZKLOP« je nastavljen na »IZKLOP«. ■ Zavora verige je aktivirana. 	<ul style="list-style-type: none"> ■ Vstavite električni vtičak etuija za akumulator v verižno žago. ■ Odstranite baterijo, preverite kontakte in znova namestite baterijski sklop. ■ Pred začetkom zložite zaklepni jeziček. ■ Stikalo za »VKLOP/IZKLOP« preklopite na »VKLOP«. ■ Ročaj zavore verige ob povratnem udarcu potegnite nazaj proti zgornjemu ročaju v položaj za delovanje.
Verižna žaga se ustavi med delom.	<ul style="list-style-type: none"> ■ Baterijski sklop ali verižna žaga je prevroča. ■ Verižna žaga je preobremenjena. ■ Preveliko delcev lesa blokira prezračevalni kanal. ■ Baterijski sklop je izpraznjen. 	<ul style="list-style-type: none"> ■ Ohladite baterijski sklop ali verižno žago. ■ Zmanjšajte obremenitev. ■ Očistite delce lesa in si oglejte poglavje „ODSTRANITE DELCE LESA“. ■ Napolnite baterijski sklop.
Zavora verige se ne aktivira.	<ul style="list-style-type: none"> ■ Delci preprečujejo popolno premikanje ročaja zavore verige ob povratnem udarcu. ■ Možna je okvara zavore verige. 	<ul style="list-style-type: none"> ■ Odstranite delce iz zunanega mehanizma zavore verige. ■ Za popravilo se obrnite na podporo za kupce izdelkov EGO.
Med žaganjem ni mazalnega olja.	<ul style="list-style-type: none"> ■ Rezervoar za olje je prazen. ■ Odprtina za olje meča verige je blokirana. ■ Zgostitev olja pri nizkih temperaturah, 	<ul style="list-style-type: none"> ■ Polnjenje maziva za meč in verigo. ■ Očistite delce lesa v odprtini za olje. ■ Zamenjajte ustrezno olje za mazanje (primerno za nizke temperature).
Indikator nizke ravni olja utripa rdeče ali kaže neobičajno svetlobo, medtem ko je posoda za olje napolnjena z oljem.	<ul style="list-style-type: none"> ■ Posebna uporaba kota naprave onemogoča olju v posodi za olje vstop v rezervoar za olje. ■ Kategorija in barva olja ni priporočljiva. ■ Indikator nizke ravni olja še vedno utripa rdeče. 	<ul style="list-style-type: none"> ■ Verižno žago položite na ravno površino in poskusite znova. ■ Uporabite priporočeno prozorno rumeno, prozorno rdeče ali prozorno olje. ■ Za popravilo se obrnite na podporo za kupce izdelkov EGO.
Indikator nizke ravni olja ne deluje, medtem ko posodi za olje primanjkuje olja.	<ul style="list-style-type: none"> ■ Kategorije in barve olja ni mogoče identificirati. ■ Majhna količina olja še vedno v posodi ali rezervoarju za olje. ■ Indikator nizke ravni olja še vedno ne deluje zaradi zgornjih razlogov. 	<ul style="list-style-type: none"> ■ Uporabite priporočeno prozorno rumeno, prozorno rdeče ali prozorno olje. ■ Nekaj časa uporabljajte verižno žago, potem pa ponovno pogledajte indikator nizke ravni olja. ■ Za popravilo se obrnite na podporo za kupce izdelkov EGO.

SL

GARANCIJA

GARANCIJSKA POLITIKA DRUŽBE EGO

Za popolne pogoje garancijske politike družbe EGO obiščite spletno mesto egopowerplus.eu.

PERSKAITYKITE VISĄ INSTRUKCIJĄ!



PERSKAITYKITE VISĄ INSTRUKCIJĄ!

SAUGOS SIMBOLIS

Saugos simbolių paskirtis – atkreipti dėmesį į galimus pavojus. Gerai susipažinkite su saugos simboliais bei jų paaiškinimais ir juos įsidėmėkite. Simbolių įspėjimai patys savaime negali apsaugoti nuo pavojų. Jais žymimi nurodymai ir įspėjimai neatstoja tinkamų nelaimingų atsitikimų prevencijos priemonių.

⚠ ĮSPĖJIMAS: Prieš pradėdami naudoti šį įrankį, perskaitykite visus šioje naudojimo instrukcijoje pateiktus saugos nurodymus, taip pat susipažinkite su visais saugos įspėjamaisiais simboliais, tokiais kaip „PAVOJUS“, „ĮSPĖJIMAS“ ir „DĖMESIO“ ir įsitikinkite, ar juos supratote. Nesilaikant visų toliau išdėstytų nurodymų galima patirti elektros smūgį, sukelti gaisrą ir (ar) sunkiai susižaloti.

SIMBOLIO REIKŠMĖ

Šiame puslapyje pavaizduoti ir aprašyti saugos simboliai, kurie gali būti nurodyti ant šio gaminio. Prieš bandydami surinkti ir naudoti įrankį, perskaitykite visus ant jo pateiktus nurodymus, įsitikinkite, ar juos supratote, ir jais vadovaukitės.

SAUGOS SIMBOLIAI



Saugos įspėjimas



Mūvėti tvirtas darbinės pirštines iš patvarios medžiagos.



Avėti neslidžią apsauginę avalynę.



Saugotis atatrankos – vengti pjovimo juostos viršūnės prisilietimo prie bet kokios kliūtis.



Pjovimo juostos viršūnės atatranka – viršūne prielietus kliūti, pjovimo juosta gali staiga atsokti aukštyn ir atgal ir sunkiai sužaloti.



Šis gaminys atitinka jam taikomus JK reglamentus.



Garantuojamas garso galios lygis.



Šis gaminys atitinka taikomas EB direktyvas.

IPX5

Apsauga nuo vandens srovių



Kad sumažintų susižalojimo pavojų, prieš naudodamas šį gaminį naudotojas turi perskaityti naudojimo instrukciją ir įsitikinti, kad ją suprato.



Dėvėti aptemptus drabužius. Nenaudoti šalikų, kaklajuosčių ar papuošalų.



Užsidėti glaudžiai priglundančius apsauginius akinius, kietą apsauginį galvos apdangalą su smarko dirželiu ir naudoti ausų kamščius ar ausines.



Laikymas abiem rankomis – grandininis pjūklą visada reikia laikyti abiem rankomis.



Informacija apie pjovimo juostą.



Netinkamas naudoti elektros prietaisus draudžiama išmesti kartu su būtinėmis atliekomis. Perduoti įgaliotam perdirbėjui.

V

Voltai



Nuolatinė elektros srovė

LT

TECHNINIAI DUOMENYS

Įtampa	56 V	
Rekomenduojama darbinė temperatūra:	Nuo -15°C iki 40°C	
Rekomenduojama sandėliavimo temperatūra:	Nuo -40°C iki 70°C	
Optimali įkrovimo temperatūra	Nuo 5°C iki 40°C	
Pjovimo ilgis	300 mm	
Grandinės greitis	20 m/s	
Grandinės žingsnis	3/8 colio (9,5 mm)	
Pjovimo gylio ribotuvas	1,1 mm	
Pjūklo grandinės tipas	AC1200 (Rekomenduojama) AC1400/AC1401 (Suderinama) AC1600/AC1601 (Suderinama)	
Pjovimo juostos tipas	AG1200 (Rekomenduojama) AG1400/AG1401 (Suderinama) AG1600/AG1601 (Suderinama)	
Grandinės žingsnis	3/8 colio (9,5 mm)	
Grandinės pjovimo gylis	1,1 mm	
Nurodytas varančiosios žvaigždutės dantukų skaičius	6	
Grandinės alyvos bakelio talpa	250 ml	
Svoris (be sudėtinės baterijos ir grandinės užmovos)	3,5 kg	
Išmatuotas garso galios lygis L_{WA}	98,8 dB(A) K=3 dB(A)	
Garso slėgio lygis darbinėje padėtyje L_{PA}	88,1 dB(A) K=3 dB(A)	
Garantuojamas garso galios lygis L_{WA} (išmatuotas pagal 2000/14/EB)	102 dB(A)	
Vibracija a_h	Priekinė rankena	1,73 m/s ² K= 1,5 m/s
	Pagrindinė rankena	2,21 m/s ² K= 1,5 m/s

- Nurodyta bendroji vibracijos vertė išmatuota taikant standartinį bandymo metodą, todėl pagal ją galima palyginti skirtingus įrankius.

- Nurodytą bendrąją vibracijos vertę taip pat galima naudoti pirminiam poveikio vertinimui.

PASTABA: Naudojant įrenginį realiomis sąlygomis, skleidžiamos vibracijos stiprumo vertė gali skirtis nuo nurodytos. Kad apsaugotų dirbdamas realiomis sąlygomis, naudotojas turi mėvėti pirštines ir naudoti klausos apsaugos priemones.

APRAŠYMAS

PAŽINKITE SAVO GRANDININĮ PJŪKLĄ (A1 PAV.)

- Pjūklo grandinė
- Atatrankos stabdymo mentė
- Fiksavimo liežuvelis
- Pagrindinė rankena
- Greičio reguliavimo jungiklis
- Aša
- Baterijos indikatorius
- Žemo alyvos lygio indikatorius
- Priekinė rankena
- Alyvos bakelio dangtelis
- Pjovimo juosta
- Tepimo anga
- Žvaigždutė
- Įtempimo varžtas
- Įjungimo ir išjungimo apsauginis jungiklis
- Kreipiamasis varžtas
- Juostos veržlė
- Šoninis gaubtas
- Alyvos srauto reguliavimo varžto dangtelis
- Dulkių šalinimo skyriaus dangtelis
- Išstūmimo mechanizmas
- Elektros kontaktai
- Baterijos atjungimo mygtukas
- Diržo kablys
- Sagtis
- Juosta
- Kabelis su apsaugine įmaute
- 1 žiedas
- Pjūklo kablys
- Maitinimo kabelio kištukas
- 2 žiedas
- Grandinės užmova
- Universalus raktas

PAKUOTĖS TURINIO SĄRAŠAS (A1 PAV.)

SURINKIMAS

PJOVIMO JUOSTOS IR GRANDINĖS MONTAVIMAS IR IŠĀRDYMAS

⚠ ĮSPĖJIMAS: Prieš pjūklą montuodami ar vykdydami jo techninės priežiūros procedūras, visada atjunkite


LT

maitinimo kabelio kištuką ir užsimaukite apsaugines pirštines.

⚠️ ĮSPĖJIMAS: Perskaitykite ir peržiūrėkite visus su šiuo elektriniu įrankiu pateiktus saugos nurodymus, instrukcijas, iliustracijas ir specifikacijas. Nesilaikant visų toliau išdėstytų nurodymų galima patirti elektros smūgį, sukelti gaisrą ir (ar) sunkiai susižaloti.

⚠️ ĮSPĖJIMAS: užsakydami juostą ir grandinę nurodykite šiame vadove pateiktus numerius. Priešingu atveju galite sunkiai susižaloti.

Išsaugokite visas instrukcijas su įspėjimais, nes jų gali prireikti ateityje.

1. Atatrankos stabdymo mentė turi būti  padėtyje.
2. Atsukite juostos veržlę (A-17) prieš laikrodžio rodyklę ir nuimkite šoninį gaubtą (A-18).
3. Paguldykite pjūklo grandinės kilpą ant lygaus paviršiaus ir ištiesinkite sulenktas vietas (B1 pav.).
4. Įstatykite grandinės varančiuosius narelius (B-1) į kreipiamosios juostos griovelį (B-2) ir palikite grandinės kilpą kreipiamosios juostos gale (B2 pav.).
5. Laikykite grandinę tokioje padėtyje ant kreipiamosios juostos ir uždėkite kilpą ant variklio galvutės grandinės žvaigždutės (B-3); po to patikrinkite šias dalis (B3 pav.):
 - a) Ar grandinės varantieji nareliai uždėti ant grandinės žvaigždutės (B-3) dantukų;
 - b) Ar įtempimo varžtas (B-4) ir kreipiamasis varžtas (B-5) įstatyti į kreipiamosios juostos plyšį; Ar įtempimo kaištis (B-6) įstatytas į kreipiamosios juostos angą.

PASTABA: Rodyklės ant pjūklo grandinės dantukų visada turi būti nukreiptos į priekį (B3 pav.).

6. Kaip tinkamai uždėti grandinę, kad ji nekliūtų, skaitykite skyriuje „PJŪKLO GRANDINĖS ĮTEMPIMAS“.
7. Abu šoninio gaubto kreipiamuosius strypelius (B-7) įtaikykite į atitinkamas pjūklo angas (B-8) ir uždėkite šoninį gaubtą (B4 pav.).
8. Priveržkite juostos veržlę.

B-1	Varantieji nareliai	B-5	Kreipiamasis varžtas
B-2	Griovelis	B-6	Įtempimo kaištis
B-3	Grandinės žvaigždutė	B-7	Kreipiamieji strypeliai
B-4	Įtempimo varžtas	B-8	Angos

PASTABA: Jeigu kreipiamąją juostą reikia keisti, nuimkite šoninį gaubtą ir pritvirtinkite jį prie naujos kreipiamosios juostos, kaip parodyta C pav.

DARBAS

Kiekvieną kartą prieš naudodami gaminį patikrinkite, ar jis nepažeistas ir ar netrūksta ir neatsipalaidavę dalys, pavyzdžiui, sraigčiai, veržlės, varžtai ir pan. Tvirtai priveržkite visus tvirtinimo elementus ir gaminio nenaudokite, kol nepakeitėte visų trūkstamų ar sugadintų dalių.

⚠️ ĮSPĖJIMAS: kai kuriose šalyse šio įrankio naudojimas gali būti apribotas.

⚠️ ĮSPĖJIMAS: nenaudokite šio įrankio, jei esate pavargę, sergate ar jus veikia alkoholis ar narkotikai.

PASTABA: jei įrankio nesuvaldote, pavyzdžiui, atatrankos metu, nedelsdami jį išjunkite.

PASKIRTIS

Šį gaminį galima naudoti lyjant lietuviškai.

- Šis grandininis pjūklas yra skirtas medžiams genėti ir prižiūrėti.



Šį pjūklą gali naudoti tik asmenys, kurie yra specialiai apmokyti genėti ir prižiūrėti medžius.

PASTABA: Pirmą kartą pjūklą naudojančiam asmeniui rekomenduojama jį išbandyti pjaustant rastgalius ant ožio.

PJŪKLO GRANDINĖS ĮTEMPIMAS

⚠️ ĮSPĖJIMAS: Niekada nelieskite ir nereguliuokite grandinės, kai paleistas variklis. Pjūklo grandinė yra labai aštri; vykdydami grandininio pjūklo priežiūros darbus būtina mūvėkite apsaugines pirštines.

Įprasto pjovimo darbo metu pjūklo grandinė įsitempia arba susitraukia. Dėl to keičiasi grandinės įtempimas. Darbo metu reguliariai tikrinkite grandinės įtempimą ir sureguliuokite, kai reikia.

1. Išjunkite grandininį pjūklą, įjunkite grandinės stabdį ir atjunkite maitinimo kabelio kištuką.
2. Atlaisvinkite juostos veržlę, kad reguliuojama kreipiamoji juosta galėtų laisvai judėti.
3. Laikykite nukreipę juostos viršūnę į viršų ir sukite įtempimo varžtą, kol:
 - a) grandinės įlinkis juostos centre bus apie 1–2 mm (D pav.);
 - b) išjunge grandinės stabdį patikrinkite, ar galite dviem pirštais patraukti grandinę ant juostos.

PASTABA: Šią patikros procedūrą vykdykite atsargiai, kad nesusižalotumėte. Kadangi šio pjūklo nuolatinės srovės variklyje yra magnetinės medžiagos, traukdami grandinę dviem pirštais jausite didesnį pasipriešinimą, lyginant su įprastais benzininiais grandininiais pjūklais. Grandinė nejudės taip lengvai, kaip benzininiame grandiniame

pjūkle.

- Laikydami nukreipę juostos viršūnę į viršų priveržkite juostos veržlę.

PASTABA: Jeigu grandinės įlinkis juostos centre nėra 1–2 mm, grandinės įtempimą sureguliuokite iš naujo.

ALYVOS BAKELIO PRIPILDYMAS

- Atjunkite sudėtinę bateriją nuo grandininio pjūklo.
- Paguldykite grandininį pjūklą ant šono ant tvirto ir lygaus paviršiaus taip, kad alyvos bakelio dangtelis būtų viršuje. Atsukite alyvos bakelio dangtelį. Jeigu jis labai priveržtas, atsukite naudodami pridedamą universalų raktą (E pav.).
- Į alyvos bakelį atsargiai įpilkite alyvos. Pripilkite iki bakelio kakliuko apačios. Nušluostykite alyvos perteklių ir užsukite dangtelį.

PASTABA:

- Įsigytas naujas grandininis pjūklas neužpildytas alyva. Prieš naudojant pjūklą, bakelį būtina pripildyti alyvos. Dirbant grandinė automatiškai tepama grandinių alyva.
- Ji specialiai skirta trinčiai sumažinti ir pjovimui paspartinti.
- Niekada nenaudokite alyvos ar kitų tepimo priemonių, kurios nėra skirtos juostai ir grandinei tepti. Priešingu atveju tepimo sistema gali užsikimšti, ir tuomet greičiau sudils juosta ir grandinė.

ALYVOS SRAUTO REGULIAVIMAS (F PAV.)

- Šio pjūklo apačioje yra **alyvos srauto reguliavimo varžtas (F-1)**, kuriuo galima reguliuoti grandinės, juostos ir pjovimo sistemos tepimo alyvos srautą. Srautas didinamas ir mažinamas sukant šį varžtą rodyklės ant korpuso nurodyta kryptimi.

LED INDIKATORIAI ANT GRANDININIO PJŪKLO

Ant grandininio pjūklo yra 2 LED indikatoriai, kurie rodo alyvos lygio būseną ir sudėtinės baterijos (-ų) įkrovos būseną.

LED indikatorius	Reikšmė	Veiksmas	
Žemo alyvos lygio indikatorius (A-8)	Mirksi raudonas	Trūksta alyvos	Papildyti alyvos bakelį
	Išjungtas	Alyvos pakanka	/
Baterijos indikatorius (A-7)	Dega žalias	Sudėtinė baterija įkrauta	/
	Mirksi žalias	Sudėtinė baterija beveik išseikvota ir ją reikia nedelsiant įkrauti.	Įkrauti bateriją

BATERIJOS DĒKLO PRIKABINIMAS PRIE LAIPIOJIMO DIRŽŲ

Šio grandininio pjūklo komplekte yra baterijos dėklas baterijai įdėti, kurį galima prikabinti prie laipiojimo diržų (komplekte nėra).

PASTABA: Prieš užsidėdami laipiojimo diržus, tvirtai prikabininkite prie jų baterijos dėklą.

⚠ ĮSPĖJIMAS: reikia paruošti lipimo diržus su greito atkabavimo funkcija, kuri reikalinga nelaimingo atsitikimo atveju.

- Susiraskite tinkamą vietą baterijos dėklui ant laipiojimo diržų prikabinti ir prikabininkite diržo kabliu (G-1) (G1 pav.).
- Apsukite juostą aplink laipiojimo diržus, kad pritvirtintumėte baterijos dėklą (G2 ir G3 pav.).
- Dviem karabinais (komplekte nėra) prikabininkite prie laipiojimo diržų abu kabelio su apsaugine įmaute žiedus (G-2), kaip parodyta G4 pav.

G-1	Diržo kablys	G-2	Žiedai
-----	--------------	-----	--------

PASTABA:

- Lipdami į medį prikabininkite 1 ir 2 kabelio su apsaugine įmaute žiedus prie laipiojimo diržų karabinais (komplekte nėra) (G5 pav.).
- Kai pjaunate pjūklą, atkabinkite 2 žiedą nuo laipiojimo diržų, o pjūklą laikykite abiem rankomis (G6 pav.).

PJŪKLO TVIRTINIMAS PRIE BATERIJOS DĒKLO

Prikabininkite kabelio su apsaugine įmaute **pjūklo kablį (H-2)** prie ašos (H-1) (H pav.).

H-1	Aša	H-2	Pjūklo kablys
-----	-----	-----	---------------

LT

SUDĖTINĖS BATERIJOS ĮSTATYMAS IR IŠĖMIMAS

PASTABA: Prieš naudodami sudėtinę bateriją pirmą kartą visiškai ją įkraukite.

Įstatymas (I1 pav.)

Įtaikykite sudėtinės baterijos iškyšas į baterijos dėklo griovelius ir stumkite žemyn, kol baterija užsifiksuos.


Išėmimas (I2 pav.)

Nykščiu nuspauskite baterijos atjungimo mygtuką ir ištraukite sudėtinę bateriją.

GRANDININIO PJŪKLO PALEIDIMAS IR IŠJUNGIMAS

Paleidimas

- Sulyginkite „▲“ žymes ant maitinimo kabelio kištuko (J-2) ir grandininio pjūklo maitinimo lizdo (J-


- 1) ir stumkite kištuką gilyn į lizdą, kol ŽALIAS kištuko tarpiklis VISIŠKAI pasislėps lizde (J1 pav.).
2. Įjungimo ir išjungimo jungiklį nustatykite į „ON“ padėtį (J2 pav.).
3. Patraukite atatrankos stabdymo mentę link pagrindinės rankenos į  padėtį.
4. Pastumkite **fiksavimo liežuvelį (J-3)** į priekį ir tuomet paspauskite **greičio reguliavimo jungiklį (J-4)**. Kuo stipriau spausite greičio reguliavimo jungiklį, tuo didesniu greičiu suksis pjūklo grandinė (J3 pav.).

J-1	Maitinimo lizdas	J-3	Fiksavimo liežuvelis
J-2	Maitinimo kabelio kištukas	J-4	Greičio reguliavimo jungiklis

Sustabdymas

1. Atleiskite greičio reguliavimo jungiklį ir grandininį pjūklą sustabdykite.

PASTABA: Atleidus greičio reguliavimo jungiklį, grandininis pjūklas dar kurį laiką suksis. Saugokitės, kad neprisiliestumėte prie grandinės iš karto po jungiklio atleidimo ar padėdami grandininį pjūklą.

2. Atatrankos stabdymo mentę pastumkite į priekį į stabdymo padėtį .
3. Įjungimo ir išjungimo jungiklį nustatykite į „OFF“ padėtį.

⚠️ ĮSPĖJIMAS: Darydami pertraukas arba baigę dirbti, visada nuo grandininio pjūklo atjunkite maitinimo kabelio kištuką.

LT

PASIRUOŠIMAS PJAUTI

Tinkamas rankenų laikymas (K pav.)

Mūvėkite neslidžias pirštines, užtikrinančias tvirtiausią sugriebimą ir apsaugą.

Kairiąja ranka visada laikykite priekinę rankeną, o dešiniąją – pagrindinę rankeną.

Pirštai turi apimti rankeną. Priekinės rankenos apačioje turi būti nykštys.

⚠️ ĮSPĖJIMAS: Niekada nelaikykite pagrindinės rankenos kairiąja ranka (nesukryžiuokite rankų) ir nestovėkite taip, kad kūnas arba ranka kirstų grandinės plokštumą.

⚠️ ĮSPĖJIMAS: Greičio reguliavimo jungiklio nespauskite kaire ranka, o priekinės rankenos nelaikykite dešine ranka. Pjaudami grandininio pjūklo niekada nestovėkite taip, kad kūnas arba ranka kirstų grandinės plokštumą (L pav.).

GRANDINĖS TEPIMO TIKRINIMAS (M PAV.)

PASTABA: Grandininio pjūklo alyvos bakelis turi būti pripildytas pakankamu grandinės alyvos kiekiu.

1. Laikykite kreipiamąją juostą virš šviesios spalvos paviršiaus.
2. Įjunkite pjūklą. Jei grandinės tepimo sistema veikia tinkamai, po 1 minutės ant šviesios spalvos paviršiaus pamatysite aiškią alyvos liniją.
3. Jeigu alyvos linijos ant paviršiaus nesimato, sureguliuokite grandinės tepimą pagal nurodymus skyriuje „ALYVOS SRAUTO REGULIAVIMAS“.

DARBAS MEDYJE

⚠️ ĮSPĖJIMAS: pjaunant arba lipant į medį rekomenduojama naudoti papildomą atramą, pvz., apkabas pėdoms ar reguliuojamą diržą, kad jūsų kūnas nesiūbuotų ir neišsijautumėte.

Prieš pradėdami darbą patikrinkite šias dalis:

Patikrinkite dilimo žymes ant **grandinės žvaigždutės (N-1)**; jei išdiliimas viršija 0,5 mm, kreipkitės į „EGO“ techninės priežiūros centrą, kad žvaigždutę pakeistų.

Patikrinkite stabdymo sistemą; jei **stabdžio įdėklas (N-2)** išdilęs nelygiai, kreipkitės į „EGO“ techninės priežiūros centrą, kad įdėklą pakeistų (N pav.).

N-1	Grandinės žvaigždutė	N-2	Stabdžio įdėklas
-----	----------------------	-----	------------------

- Patikrinkite kreipiamąją juostą, žr. atitinkamą skyrių **KREIPIAMOSIOS JUOSTOS TECHNINĖ PRIEŽIŪRA**
- Patikrinkite pjūklo grandinę, žr. atitinkamą skyrių **GRANDINĖS TECHNINĖ PRIEŽIŪRA**
- Išbandykite grandinės stabdį, žr. atitinkamą skyrių **APSAUGOS NUO ATATRANKOS ĮTAISAI ŠIAME**

GRANDININIAME PJŪKLE

- Patikrinkite pjūklo valdymo įtaisus, žr. atitinkamą skyrių **GRANDININIO PJŪKLO PALEIDIMAS IR IŠJUNGIMAS**
- Patikrinkite grandinės tepimą, žr. atitinkamą skyrių **GRANDINĖS TEPIMO TIKRINIMAS**

TECHNINĖ PRIEŽIŪRA

VALYMAS

- Kaskart panaudoję, minkštu šepetėliu nuvalykite nešvarumus nuo grandinės ir kreipiamosios juostos. Grandininio pjūklo paviršių valykite švaria šluoste, sudrėkinta mažos koncentracijos muilo tirpalu.

- Jei norite išvalyti iš pagrindų, nuimkite šoninį gaubtą, kreipiamąją juostą ir juostos grandinę. Minkštu šepetėliu nuvalykite šiukšles nuo kreipiamosios juostos, pjūklo grandinės ir varančiosios žvaigždutės ant variklio galvutės.
- Keisdami pjūklo grandinę iš pjovimo juostos griovelio būtina išvalykite medienos skiedras, pjūvenas ir nešvarumus.

DULKIŲ IŠVALYMAS

- Atjunkite maitinimo kabelio kištuką, palaukite, kol grandininis pjūklas atvės, ir priveržkite alyvos bakelio dangtelį.
- Įjunkite pjūklo stabdį.
- Pridedamu universaliu raktu atsukite **dulkių šalinimo skyriaus dangtelio (O-1)** varžtą ir atidarykite skyrių (O1 pav.).
- Iš priešingos **oro įsiurbimo angai (O-2)** pusės sausu suslėgtuoju oru iš aušinimo grotelių išpūskite pjūvenas ir medienos atplaišas (O2 pav.).

O-1	Dulkių šalinimo skyriaus dangtelis	O-2	Oro įsiurbimo anga
-----	------------------------------------	-----	--------------------

KREIPIAMOSIOS JUOSTOS TECHNINĖ PRIEŽIŪRA

Kai ant kreipiamosios juostos pasirodo nudilimo požymiai, nuimkite ją nuo grandininio pjūklo variklio galvutės, apverskite ir vėl uždėkite (P1 pav.): tokiu būdu maksimaliai pratęsite jos eksploataavimo trukmę.

Kiekvieną dieną, kai dirbate su įrankiu, reikia nuvalyti juostą (įskaitant **juostos bėgelius (P-1)** ir **tepimo angą (P-2)**) ir patikrinti, ar ji nesudilusi ir nepažeista (P2 pav.). Juostos bėgelių šiaušimasis arba šerpetų atsiradimas juose yra normalūs juostos dilimo požymiai. Atsiradusius tokius nelygumus galima pašalinti su dilde. Kreipiamąją juostą, kurioje yra toliau nurodytų defektų, reikia pakeisti.

Išdilimas juostos bėgelyje, leidžiantis grandinei pakrypti.

- Ilenka pjovimo juosta.
- Įtrūkė arba sulūžę bėgeliai.
- Išsiplėtę bėgeliai.

Juostos viršūnėje yra žvaigždutė. Žvaigždutę reikia kas savaitę sutepti tepimo švirkštu, kad prailgintumėte kreipiamosios juostos eksploataavimo trukmę (P3 ir P4 pav.). Sukite **viršūnės žvaigždutę (P-3)**, švirkšdami **permatomą geltoną, permatomą raudoną ar permatomą tepalą į tepimo angą (P-4)**, kol nauju tepalu sutepsite visą žvaigždutę. Neįstumkite į tepimo angą nešvarumų.

P-1	Juostos bėgeliai	P-3	Žvaigždutė
P-2	Tepimo anga	P-4	Tepimo anga

GRANDINĖS TECHNINĖ PRIEŽIŪRA

Šiam pjūklui naudokite tik nuo atatrakos saugančias grandines. Tinkamai prižiūrint šią greitą pjovimo grandinę, ji sumažina atatraką.

Su tinkamai išgalšta grandine galima be didelių pastangų ir labai silpnai spaudžiant pjauti medį. Niekada nenaudokite atšipusios arba pažeistos grandinės. Dėl atšipusių pjūklo grandinės pjovimo narelių išauga fizinė įtampa, padidėja vibracija, pjūklas prasčiau pjauna ir greičiau dyla.

Kad grandinė pjautų sklandžiai ir greitai, ją reikia tinkamai prižiūrėti. Grandinę reikia pagalšti, kai medžio pjūvenos tampa smulkios ir panašios į miltelius, kai pjaunant reikia stipriai spausti grandinę į medį arba kai grandinė pjudama krypsta į šoną. Vykdydami pjūklo grandinės techninės priežiūros darbus, atsižvelkite į toliau nurodytus dalykus:

Netinkamas šoninės plokštelės galandimo kampas gali padidinti pavojų, kad įvyks stipri atatranka.

- Pjovimo gylis ribotovo tarpelis: per mažas tarpelis padidina atatrakos tikimybę; nepakankamai mažas tarpelis sumažina pjovimo našumą.
- Jei pjovimo narelių dantukai kliudę kietą daiktą, pvz., vėlinis arba akmenis, arba atbuko nuo purvo ir smėlio, esančio ant medienos, pasirūpinkite, kad grandinę pagalštų kvalifikuotas techninės priežiūros specialistas.

PASTABA: rekomenduojama, kad **pjūklo grandinę** galastų ir techniškai prižiūrėtų įgalioto techninės priežiūros centro specialistai.

GABENIMAS IR LAIKYMAS

- Nepalikite laikymo vietoje ir nešėkite įjungto grandininio pjūklo. Prieš padėdami į laikymo vietą arba gabendami visada išimkite sudėtinę bateriją.
- Visada uždėkite užmovą ant pjovimo juostos prieš palikdami grandininį pjūklą laikymo vietoje arba gabendami. Būkite atsargūs, kad nepaliestumėte aštrių grandinės dantukų.
- Kruopščiai nuvalykite grandininį pjūklą prieš palikdami jį laikymo vietoje. Grandininį pjūklą laikykite patalpoje, kuri yra sausa, rakinama ir (ar) vaikams neprieinama.
- Laikykite toliau nuo šaldančių medžiagų, pvz., sodo chemikalų ir ledo tirpymo druskų.

Aplinkos apsauga



WEEE (elektrinės ir elektroninės įrangos atliekos). Neišmeskite elektros įrangos, panaudotų baterijų ir įkroviklio kartu su buitinėmis atliekomis! Šias atliekas reikia pristatyti į jų surinkimo vietą ar įgaliotam perdirbėjui. Elektrinius įrankius reikia gražinti į atitinkamą perdirbimo įmonę.

LT

TRIKČIŲ ŠALINIMAS

PROBLEMA	PRIEŽASTIS	SPRENDIMAS
Neįsijungia variklis.	<ul style="list-style-type: none"> ■ Baterijos dėklo maitinimo kabelio kištukas neprijungtas prie grandininio pjūklo. ■ Nėra elektrinio kontakto tarp baterijos dėklo ir sudėtinės baterijos. ■ Nepakeltas aukštyrų fiksavimo liežuvelis. ■ Įjungimo ir išjungimo jungiklis nustatytas į „OFF“ padėtį. ■ Įjungtas grandinės stabdys. 	<ul style="list-style-type: none"> ■ Įkiškite baterijos dėklo maitinimo kabelio kištuką į grandininio pjūklo maitinimo lizdą. ■ Išimkite bateriją, patikrinkite kontaktus ir vėl įstatykite sudėtinę bateriją. ■ Prieš paleidimą palenkite į viršų fiksavimo liežuvelį. ■ Nustatykite įjungimo ir išjungimo jungiklį į „ON“ padėtį. ■ Patraukite grandinės atitranskos stabdymo mentę link viršutinės rankenos į darbinę padėtį.
Grandinė sustoja darbo metu.	<ul style="list-style-type: none"> ■ Sudėtinė baterija arba grandininis pjūklas pernelyg įkaitę. ■ Grandininio pjūklo perkrova. ■ Vėdinimo angas užkimšo pjūvenos. ■ Sudėtinė baterija visiškai išsikrovusi. 	<ul style="list-style-type: none"> ■ Atvėsinkite sudėtinę bateriją arba grandininį pjūklą. ■ Sumažinkite apkrovą. ■ Išvalykite dulkes, žr. skyrių „DULKIŲ IŠVALYMAS“. ■ Įkraukite sudėtinę bateriją.
Neįsijungia grandinės stabdys.	<ul style="list-style-type: none"> ■ Dėl šiukšlių grandinės atitranskos stabdymo mentė negali laisvai judėti. ■ Galimas grandinės stabdžio gedimas. 	<ul style="list-style-type: none"> ■ Nuvalykite nešvarumus nuo išorinio grandinės stabdžio mechanizmo. ■ Kreipkitės į „EGO“ klientų aptarnavimo tarnybą dėl remonto.
Pjovimo metu grandinė netepama.	<ul style="list-style-type: none"> ■ Grandinės alyvos bakelis yra tuščias. ■ Užkimšta grandinės juostos alyvos ištekėjimo anga. ■ Žemoje temperatūroje alyva sutirštėjo. 	<ul style="list-style-type: none"> ■ Įpilkite pjovimo juostos ir grandinės alyvos. ■ Nuvalykite dulkes nuo alyvos ištekėjimo angos. ■ Pakeiskite alyvą į tinkamo tipo alyvą (tinkančią žemai temperatūrai).
Raudonas žemo alyvos lygio indikatorius mirksi arba neįprastai dega pilant į alyvos bakelį alyvą.	<ul style="list-style-type: none"> ■ Dėl neįprasto įrankio pakreipimo kampo alyva iš bakelio negali ištekėti į alyvos vamzdelį. ■ Naudojama netinkamo tipo ir spalvos alyva. ■ Vis dar mirksi raudonas žemo alyvos lygio indikatorius. 	<ul style="list-style-type: none"> ■ Išlyginkite grandininį pjūklą ir bandykite dar kartą. ■ Naudokite rekomenduojamą permatomą geltoną, permatomą raudoną ar permatomą alyvą. ■ Kreipkitės į „EGO“ klientų aptarnavimo tarnybą dėl remonto.
Žemo alyvos lygio indikatorius nešviečia, nors alyvos bakelyje trūksta alyvos.	<ul style="list-style-type: none"> ■ Negalima nustatyti alyvos tipo ir spalvos. ■ Alyvos bakelyje arba vamzdyje dar liko nedidelis alyvos kiekis. ■ Žemo alyvos lygio indikatorius neveikia dėl pirmiau aprašytų priežasčių. 	<ul style="list-style-type: none"> ■ Naudokite rekomenduojamą permatomą geltoną, permatomą raudoną ar permatomą alyvą. ■ Papjunkite dar kurį laiką grandininį pjūklą ir vėl patikrinkite žemo alyvos lygio indikatorius. ■ Kreipkitės į „EGO“ klientų aptarnavimo tarnybą dėl remonto.

LT

GARANTIJA

EGO GARANTINĖ POLITIKA

Jei norite sužinoti visas „EGO“ garantinės politikos sąlygas, apsilankykite interneto svetainėje egopowerplus.eu.

IZLASIET VISAS INSTRUKCIJAS!



IZLASIET LIETOTĀJA ROKASGRĀMATU

DROŠĪBAS APZĪMĒJUMS

Drošības apzīmējumi ir paredzēti, lai pievērstu jūsu uzmanību iespējamiem apdraudējumiem. Pievērsiet uzmanību drošības apzīmējumiem un to skaidrojumiem, un izprotiet tos. Brīdinājumu apzīmējumi paši par sevi nenovērš apdraudējumu. Tajos ietvertie norādījumi un brīdinājumi neaizstāj atbilstošu negadījumu novēršanas pasākumu īstenošanu.

▲ BRĪDINĀJUMS! Pirms šī instrumenta lietošanas izlasiet un izprotiet visus šajā lietotāja rokasgrāmatā iekļautos drošības norādījumus, tostarp visus drošības brīdinājuma apzīmējumus, piemēram, „**BĪSTAMI!**”, „**BRĪDINĀJUMS!**” un „**UZMANĪBU!**”. Visu turpmāk uzskaitīto norādījumu neievērošana var izraisīt elektriskās strāvas triecienu, aizdegšanos un/ vai smagus miesas bojājumus.

SIMBOLA NOZĪME

Šajā lapaspusē ir parādīti un aprakstīti drošības apzīmējumi, kas var būt norādīti uz šī izstrādājuma. Pirms iekārtas montāžas un lietošanas izlasiet, izprotiet un ievērojiet visus uz iekārtas sniegtos norādījumus.

DROŠĪBAS APZĪMĒJUMI



Drošības brīdinājums



Valkāt izturīgus darba cimdus, kas izgatavoti no izturīga materiāla



Valkāt neslidošus drošības apavus



Uzmanieties no atsitiena — sliedes augšējais gals nedrīkst saskarties ar nevienu priekšmetu



Vadsliedes gala atsitiena — gala saskare var izraisīt pēkšņu vadsliedes kustību uz augšu un atpakaļ, kā rezultātā varat gūt nopietnus ievainojumus.

UK
CA

Šis produkts atbilst spēkā esošajiem Apvienotās Karalistes tiesību aktiem.



Garantētais skaņas intensitātes līmenis.



Šis izstrādājums atbilst piemērojamām EK direktīvām.

IPX5

Aizsardzība pret ūdens strūkļām



Lai mazinātu traumu rašanās bīstamību, pirms šī izstrādājuma lietošanas tā lietotājam jāizlasa un jāizprot lietošanas rokasgrāmata.



Valkāt cieši pieguļošu apģērbu. Nevalkāt šalli, kaklasaiti vai rotaslietas



Valkāt cieši pieguļošas aizsargbrilles, ausu ieliktnus vai austiņas un aizsargcepuri ar zoda siksnu



Turēt ar abām rokām — ķēdes zāģi vienmēr darbiniet ar abām rokām.



Vadotnes sliedes informācija.



Elektrisko izstrādājumu atkritumus nedrīkst izmest kopā ar sadzīves atkritumiem. Nogādāt uz pilnvarotu pārstrādes punktu.

V

Volti



Līdzstrāva

LV

SPECIFIKĀCIJAS

Spriegums	56 V	
Ieteicamā darba temperatūra:	-15°C-40°C	
Ieteicamā uzglabāšanas temperatūra:	-40°C-70°C	
Optimālā uzlādes temperatūra	5°C-40°C	
Griešanas garums	300 mm	
Ķēdes ātrums	20 m/s	
Ķēdes solis	3/8" (9,5 mm)	
Ķēdes mērinstruments	1,1 mm	
Zāģa ķēdes veids	AC1200 (Ieteiktais) AC1400/AC1401 (Saderīgais) AC1600/AC1601 (Compatible)	
Vadslīdes veids	AG1200 (Ieteiktais) AG1400/AG1401 (Saderīgais) AG1600/AG1601 (Saderīgais)	
Ķēdes solis	3/8" (9,5 mm)	
Ķēdes savienojuma posms	1,1 mm	
Norādītais piedziņas ķēdes rata zobu skaits	6	
Ķēdes eļļas tvertnes tilpums	250ml	
vars (bez akumulatora, ķēdes pārvalka)	3,5 kg	
Izmērītais skaņas intensitātes līmenis L_{WA}	98,8 dB(A) K=3 dB(A)	
Trokšņa spiediena līmenis operatora vietā L_{PA}	88,1 dB(A) K=3 dB(A)	
Garantētais skaņas intensitātes līmenis L_{WA} (saskaņā ar Direktīvu Nr. 2000/14/EK)	102 dB(A)	
Vibrācijas a_n	Priekšējais rokturis	1,73 m/s ² K= 1,5 m/s
	Galvenais rokturis	2,21 m/s ² K= 1,5 m/s

- Norādītā vibrāciju kopējā vērtība ir izmērīta saskaņā ar standarta pārbaudes metodi un var tikt izmantota, lai

salīdzinātu vairākus instrumentus.

- Deklarēto vibrāciju emisijas vērtību var arī lietot iepriekšējai vibrāciju iedarbības novērtēšanai.

PIEZĪME! Vibrāciju emisijas faktiskajā elektroinstrumenta darbināšanas laikā var atšķirties no norādītās vērtības. Lai pasargātu operatoru, lietotājam jāvalkā cimdi un dzirdes aizsarglīdzekļi atbilstoši patiesajiem darba apstākļiem.

APRAKSTS

PĀRZINIET SAVU ĶĒDES ZĀĢI (A1 att.)

1. Zāģa ķēde
2. Atsītieta bremzes rokturis
3. Fiksācijas mēlīte
4. Galvenais rokturis
5. Regulējama ātruma slēdzis
6. Actiņa
7. Akumulatora indikators
8. Zema eļļas līmeņa indikators
9. Priekšējais rokturis
10. Eļļas tvertnes vāciņš
11. Vadslīde
12. Eļļošanas atvere
13. Ķēdesrats
14. Spriegošanas skrūve
15. IESL./IZSL. drošības slēdzis
16. Vadotnes bultskrūve
17. Slīdes uzgrieznis
18. Samontēts sānu pārsegs
19. Eļļas plūsmas regulēšanas skrūves vāciņš
20. Putekļu iztukšošanas vāciņš
21. Izeviešanas mehānisms
22. Elektriskie kontakti
23. Akumulatora atbrīvošanas poga
24. Siksnas āķis
25. Sprādze
26. Sikсна
27. Štrope
28. 1. gredzens
29. Zāģa āķis
30. Strāvas kontaktdakša
31. 2. gredzens
32. Ķēdes pārvalks
33. Kombinētā atslēga

IEPAKOJUMA SATURA SARAKSTS (A1 ATT.)

MONTĀŽA

SLIEDES UN ĶĒDES MONTĀŽA/IZJAUKŠANA

▲ BRĪDINĀJUMS! Pirms izstrādājuma montāžas vai apkopes vienmēr izvelciet no barošanas avota strāvas kontaktdakšu un valkājiet aizsargcimdus.

LV

⚠ BRĪDINĀJUMS! Izlasiet visus ar šo elektroinstrumentu saistītos drošības brīdinājumus, norādījumus, specifiskācijas un aplūkojiet attēlus. Visu turpmāk uzskaitīto norādījumu neievērošana var izraisīt elektriskās strāvas triecienu, aizdegšanos un/vai nopietnas traumas.

⚠ BRĪDINĀJUMS! Obligāti pasūtiet šajā rokasgrāmatā norādīto sliedi un zāģa ķēdi. Šo norādījumu neievērošana var radīt nopietnas traumas.

Saglabājiet visus brīdinājumus un instrukcijas turpmākai atsaucei.

1. Pārliedziniet, vai atsītienu bremzes rokturis ir iestatīts stāvoklī.
2. Lai noņemtu **samontēto sānu pārsegu (A-18)**, atskrūvējiet **sliedes uzgriezni (A-17)** pretēji pulksteņrādītāja kustības virzienam.
3. Novietojiet zāģa ķēdi cilpā uz līdzenas virsmas un iztaisojiet visus mezglus. (B1 att.)
4. Ievietojiet ķēdes piedziņas posmus (B-1) vadsliedes gropē (B-2) un novietojiet ķēdi tā, lai cilpa atrastos vadsliedes aizmugurē. (B2 att.)
5. Turiet ķēdi tās vietā uz vadsliedes un uzlieciet cilpu apkārt instrumentgalvas ķēdesratam (B-3) un pārbaudiet šādus punktus (B3 att.):
 - a) ķēdes piedziņas posmi ir iekļāvušies **ķēdes rata (B-3)** zobos;
 - b) **spriegošanas skrūve (B-4)** un **vadotnes bulskrūve (B-5)** atrodas vadotnes spraugā; **spriegošanas tapa (B-6)** ir iespiesta vadsliedes atverē.

PIEZĪME! Bultiņu virzienam uz zāģa ķēdes zobiem vienmēr ir jābūt vērstam virzienā uz priekšu (B3. att.).

6. Lai pārliedzinātos, vai ķēde ir pareizi samontēta un neķeras, izlasiet sadaļu „ZĀĢA ĶĒDES SPRIEGOŠANA”.
7. Salāgojiet abus samontētā sānu pārsega **vadstienus (B-7)** ar attiecīgajiem zāģa **caurumiem (B-8)**, pēc tam uzstādiet samontēto sānu pārsegu. (B4 att.)
8. Pievelciet sliedes uzgriezni.

B-1	Piedziņas posmi	B-5	Vadotnes bulskrūve
B-2	Rieva	B-6	Spriegošanas tapa
B-3	Ķēdes rata pārsegs	B-7	Vadstieņi
B-4	Spriegošanas skrūve	B-8	Montāžas caurumi

PIEZĪME! Ja ir jānomaina vadsliede, demontējiet vadsliedei samontēto sānu pārsegu un uzstādiet jaunajai vadsliedei, kā parādīts C. attēlā.

EKSPLUATĀCIJA

Pirms katras lietošanas pārbaudiet visu ierīci, vai tā nav bojāta, vai tai nav trūkstošu vai atskrūvējušos daļu, piemēram, skrūves, uzgriežņi, bulskrūves utt. Stingri pievelciet visus stiprinājumus un vāciņus un nedarbiniet šo ierīci, līdz visas trūkstošās vai bojātās daļas nav nomainītas.

⚠ BRĪDINĀJUMS! Daži valsts noteikumi var ierobežot iekārtas izmantošanu.

⚠ BRĪDINĀJUMS! Nekādā gadījumā nelietojiet iekārtu, ja esat noguris, slims vai atrodaties alkohola vai apreibinošo vielu iedarbībā.

PIEZĪME. Ja iekārta kļūst nekontrolējama, piemēram, atsītienu gadījumā, nekavējoties atslēdziet no barošanas avota.

PIELIETOJUMS

Produktu var lietot lietus laikā.

- Šis ķēdes zāģis ir īpaši paredzēts koku apkopšanai un formas uzturēšanai.



Šo zāģi drīkst izmantot tikai personas, kas ir īpaši apmācītas veikt koku kopšanas darbus.

PIEZĪME! Lietotājam, kas pirmo reizi sāk lietot zāģi, baļķu zāģēšanai ieteicams obligāti izmantot steķi vai citu ierīci, uz kuras novietot un zāģēt kokmateriālu.

ZĀĢA ĶĒDES SPRIEGOŠANA

⚠ BRĪDINĀJUMS! Nekad nepieskarieties vai neregulējiet ķēdi, kamēr darbojas zāģa dzinējs. Zāģa ķēde ir ļoti asa; veicot ķēdes apkopi, vienmēr valkājiet aizsargcimdus.

Zāģa ķēde parastas darbības laikā paplašinās vai saraujas. Tā rezultātā mainās ķēdes spriedze. Zāģēšanas laikā regulāri pārbaudiet ķēdes spriegojumu un, ja nepieciešams, noregulējiet.

1. Izslēdziet ķēdes zāģi, ieslēdziet ķēdes bremzi un atvienojiet no barošanas avota strāvas kontaktdakšu.
2. Atskrūvējiet sliedes uzgriezni, lai vadstieni varētu brīvi pārvietot noregulēšanas vajadzībām.
3. Turiet sliedes galu uz augšu un noregulējiet spriegošanas skrūvi, līdz tiek sasniegti sekojošais:
 - a) ķēdes nokare sliedes vidusdaļā ir apmēram: 1 - 2 mm (D att.).
 - b) Atvienojiet ķēdes bremzi, pārliedziniet, vai ķēdi var pavilkt ap sliedi ar diviem pirkstiem.

PIEZĪME! Rūpīgi veiciet šo darbību, lai izvairītos no miesas bojājumiem. Šis līdzturības motors atšķirībā no parastā benzīna ķēdes zāģa motora satur magnētisko materiālu, tāpēc, velkot zāģa ķēdi ar diviem pirkstiem, var

sajust zināmu pretestību. Vilkšana nebūs tik vienmērīga, kā tas ir benzīna ķēdes zāģa gadījumā.

4. Turiet sliedes galu uz augšu un pievelciet sliedes uzgriezni.

PIEZĪME! Ja ķēdes nokare sliedes vidusdaļā nav 1 - 2 mm, vēlreiz noregulējiet ķēdes spriegojumu.

EĻĻAS TVERTNES UZPILDĪŠANA

1. Atvienojiet akumulatora bloku no ķēdes zāģa.
2. Nolieciet ķēdes zāģi uz sāniem uz cietas un līdzenas virsmas tā, lai eļļas tvertnes vāciņš būtu vērstis uz augšu. Atveriet eļļas tvertnes vāciņu. Ja tas ir pārāk cieši aizskrūvēts, izmantojiet kombinēto uzgriežņu atslēgu (iekļauta komplektā), lai atskrūvētu. (E att.)
3. Uzmaniģi ielejiet eļļas tvertnē eļļu. Aizpildiet līdz aizpildīšanas kakliņa apakšējai daļai. Noslaukiet visu notecējušo eļļu un aizveriet ciet.

PIEZĪME!

- Iegādes brīdī ķēdes zāģī nav iepildīta eļļa. Pirms lietošanas tvertnē noteikti ir jāiepilda eļļa. Darbības laikā ķēde tiek automātiski ieeļļota ar ķēdes eļļu.
- Tā ir speciāli izstrādāta zemas berzes un ātrākas griešanas nodrošināšanai.
- Nekad nelietojiet eļļu vai citas smērvielas, kas nav īpaši paredzētas lietošanai uz sliedes un ķēdes. Tas var aizsērēt eļļas sistēmu, izraidojot priekšlaicīgu sliedes un ķēdes nodilumu.

EĻĻAS PLŪSMAS REGULĒŠANA (F att.)

- Šis zāģis ir aprīkots ar eļļas plūsmas regulēšanas skrūvi (F-1), kas atrodas instrumenta apakšā. Skrūvi izmanto eļļas plūsmas regulēšanai ķēdes, sliedes un griešanas sistēmas eļļošanas nolūkā. Eļļas plūsmu palielina vai samazina bultiņu virzienā, kas norādīts uz korpusa.

ĶĒDES ZĀĢA LED INDIKATORS

Ķēdes zāģis ir aprīkots ar 2 LED indikatoriem, kas norāda eļļas statusu un akumulatora(-u) uzlādes līmeni.

LED indikators	Nozīme	Rīcība	
Zema eļļas līmeņa indikators (A-8)	Mirgo sarkanā gaisma	Trūkst eļļas	Uzpildiet tvertnē eļļu
	Nedeg	Ir eļļa	/

Akumulatora indikator (A-7)	Deg zaļā krāsā	Akumulatoru bloks ir uzlādēts	/
	Mirgo zaļā gaisma	Akumulatoru bloks ir gandrīz izlādējies, un to ir nekavējoties jāuzlādē.	Uzlādējiet akumulatoru

AKUMULATORA IETVARA PIESTIPRINĀŠANA KĀPŠANAS DROŠĪBAS JOSTAI

Šim ķēdes zāģim ir akumulatora ietvars, ko izmanto akumulatora pārnēsāšanai, un ko var piestiprināt pie kāpšanas drošības jostas (komplektācijā nav iekļauta).

PIEZĪME! Stingri piestipriniet akumulatora ietvaru kāpšanas drošības jostai pirms tās uzvilkšanas.

BRĪDINĀJUMS! Lai nepieļautu, ka rodas ārkārtas situācija, jāsaģatavo kāpšanai paredzētās drošības jostas ar ātrās atbrīvošanas sistēmu.

1. Atrodiet uz kāpšanas drošības jostas nepieciešamo punktu, kur iekarināt akumulatora ietvaru, pēc tam iekariniet, izmantojot **siksna āķi (G-1)**. (G1 att.)
2. Aptiniet siksnu ap kāpšanas drošības jostu, lai nostiprinātu akumulatora ietvaru (G2 un G3 att.).
3. Piestipriniet kāpšanas drošības jostai divus drošības štropes **gredzenus (G-2)**, izmantojot divas karabīnes (komplektā nav iekļautas), kā tas parādīts G4 att.

G-1	Siksna āķis	G-2	Gredzeni
-----	-------------	-----	----------

PIEZĪME!

- Kāpjot kokā, piestipriniet drošības štropes 1. un 2. gredzenu pie kāpšanas drošības jostas, izmantojot karabīnes (komplektā nav iekļautas) (G5 att.)
- Instrumenta izmantošanas laikā atvienojiet 2. gredzenu no kāpšanas drošības jostas, un griešanas laikā turiet zāģi ar abām rokām (G6 att.).

ZĀĢA PIESTIPRINĀŠANA AKUMULATORA IETVARAM

Piestipriniet drošības štropes **zāģa āķi (H-2)** pie cilpiņas (H-1). (H att.)

H-1	CILPIŅA	H-2	ZĀĢA ĀĶIS
-----	---------	-----	-----------

AKUMULATORU BLOKA IEVIETOŠANA/IZŅEMŠANA

PIEZĪME! Pirms pirmās lietošanas reizes uzlādējiet akumulatora bloku pilnībā.

ievietošana (I1 att.)

Salāgojiet akumulatoru bloka ribas kopā ar montāžas

atverēm, pēc tam iebīdiēt akumulatoru bloku akumulatora ietvarā, līdz tas nofiksējas.

Izņemšana (I2 att.)

Lai izņemtu akumulatoru bloku, ar īkšķi nospiediet akumulatora atbrīvošanas pogu.

ĶĒDES ZĀGA IESLĒGŠANA/IZSLĒGŠANA

Iedarbināšana

- Salāgojiet "▲" atzīmes uz **strāvas kontaktdakšas (J-2)** ar ķēdes zāga **elektriskās kontaktlīdzdas atzīmēm (J-1)**, pēc tam iespraudiet kontaktdakšu ķēdes zāgī, līdz **ZALĀ** blīve uz kontaktdakšas **PILNĪGĀ** nodziest (J1 att.).
- Nospiediet IESL./IZSL. slēdži pozīcijā „ON” (ieslēgts) (J2 att.).
- Pavelciet ķēdes atsītienu bremzes rokturi galvenā roktura virzienā stāvoklī.
- Pabīdiēt **fiksācijas mēlīti uz (J-3)** virzienā uz priekšu, un tad nospiediet **regulējamā ātruma slēdzi (J-4)**. Jo stingrāk piespiedīsiet regulējamā ātruma slēdzi, jo lielāks būs zāga ķēdes ātrums (J3 att.).

J-1	Elektriskā kontaktlīdzda	J-3	Fiksācijas mēlīte
J-2	Strāvas kontaktdakša	J-4	Regulējamā ātruma slēdzis

Apthurēšana

- Lai izslēgtu ķēdes zāgi, atlaidiet regulējamā ātruma slēdzi.

PIEZĪME! Pēc regulējamā ātruma slēdža atlaišanas zāga ķēde vēl īsu brīdi turpinās griezties. Pēc regulējamā ātruma slēdža atlaišanas un ķēdes zāga novietošanas laikā rīkojieties uzmanīgi, lai ķēde ne pie kā nepieskartos.

- Nospiediet atsītienu bremžu rokturi virzienā uz priekšu bremžu stāvoklī .
- Pagrieziet IESL./IZSL. slēdži pozīcijā „ON” (ieslēgts)."

▲ BRĪDINĀJUMS! Vienmēr darba pārtraukumos un pēc darbu pabeigšanas izvelciet strāvas kontaktdakšu no ķēdes zāga.

SAGATAVOŠANA GRIEŠANAS DARBIEM

Pareizs rokturu satvēriens (k att.)

- Lai nodrošinātu maksimālu satvērienu un aizsardzību, valkājiet neslīdošus cimdus.
- Vienmēr satveriet priekšējo rokturi ar kreiso roku un galveno rokturi ar labo roku.
- Pirkstiem jāaptver rokturis tā, lai īkšķis atrastos zem

priekšējā roktura.

▲ BRĪDINĀJUMS! Nekad neturiet zāgi satvērienā, kur vadošā ir kreisā roka (apgrieztais satvēriens), kā arī nestāviet tā, lai kāda jūsu ķermeņa daļa vai roka varētu atrasties virs ķēdes līnijas.

▲ BRĪDINĀJUMS! Nespiediet ieslēgšanas slēdzi ar kreiso roku un turiet priekšējo rokturi ar labo roku. Darbojoties ar ķēdes zāgī, nekad neļaujiet nevienai ķermeņa daļai atrasties ķēdes līnijā (L att.).

ĶĒDES EĻĻAS PĀRBAUDE (M att.)

PIEZĪME! Pārliedcinieties, vai ķēdes zāga eļļas tvertnē ir piepildīts pareizs ķēdes eļļas daudzums.

- Turiet vadsliedi virs gaišās krāsas virsmas.
- Ieslēdziet zāgi. Ja ķēdes eļļošanas sistēma darbojas pareizi, pēc 1 minūtes uz gaišās krāsas virsmas būs redzama caurspīdīga eļļas līnija.
- Ja ķēdes eļļa joprojām nav redzama uz gaišās krāsas virsmas, izlasiet nodaļā „**EĻĻAS PLŪSMAS REGULĒŠANA**” informāciju par tās pielāgošanu.

ZĀGĒŠANA, ATRODOTIES KOKĀ

▲ BRĪDINĀJUMS! Strādājot vai kāpjot kopā, ieteicams izmantot papildu atbalstu, piemēram, kāpšļus, regulējamu auklu, lai novērstu šūpošanos vai sagriešanās draudus.

Pirms izmantošanas pārbaudiet šādus punktus:

- Pārbaudiet, vai uz ķēdesrata (N-1) nav redzamu nodiluma pazīmju. Ja nodiluma pazīmes ir dziļākas par 0,5 mm: sazinieties ar EGO servisa pakalpojumu sniedzēju, lai nomainītu ķēdesratu.
- Pārbaudiet arī bremžu sistēmu. Ja nodiluma pazīmes uz **bremžu uzlikām (N-2)** ir nevienmērīgas, sazinieties ar EGO servisa pakalpojumu sniedzēju, lai nomainītu bremžu uzlikas. (N att.)

N-1	Ķēdesrats	N-2	Bremžu uzlikas
-----	-----------	-----	----------------

- Pārbaudiet vadsliedi, apskatiet ar to saistīto nodaļu: **VADSLIEDES APKOPE**
- Pārbaudiet zāga ķēdi, apskatiet ar to saistīto nodaļu: **ĶĒDES APKOPE**
- Ķēdes bremzes pārbaude, apskatiet ar to saistīto nodaļu: **ŠIM ĶĒDES ZĀGIM UZSTĀDĪTĀS ATSĪTIENA AIZSARDZĪBAS**

IERĪCES

- Pārbaudiet vadības ierīces, apskatiet ar to saistīto nodaļu: **ĶĒDES ZĀGA IESLĒGŠANA/IZSLĒGŠANA**
- Pārbaudiet ķēdes eļļošanu, apskatiet ar to saistīto

APKOPE

TĪRĪŠANA

- Pēc katras lietošanas reizes ar mīkstu suku iztīriet no ķēdes un vadslīdes gružus. Noslaukiet ķēdes zāga virsmu ar tīru drānu, kas samitrināta ar maigu ziepju šķīdumu.
- Pamatīgas tīrīšanas nolūkā noņemiet samontēto sānu pārsegu, noņemiet vadslīdi un zāga ķēdi un pēc tam ar mīkstu birstīti rūpīgi notīriet no vadslīdes, zāga ķēdes un ķēdes zāga instrumentgalvas piedziņas ķēzrta gružus.
- Vienmēr, kad maināt zāga ķēdi, iztīriet koka skaidas, zāgskaidas un neftīrus no vadslīdes rievas.

PUTEKĻU NOTĪRĪŠANA

1. Izvelciet strāvas kontaktdakšu, ļaujiet ķēdes zāģim atdzist un aizskrūvējiet eļļas tvertnes vāciņu.
2. Zāģa bremzes ieslēgšana
3. Lai to atvērtu, izmantojiet kombinēto uzgriežņu atslēgu (iekļauta komplektācijā), lai atskrūvētu **putekļu iztukšošanas vāciņa skrūvi (O-1)**, (O1 att.).
4. Izmantojot saspiestu sauso gaisu, iztīriet dzesēšanas režģi sakrājušās zāgskaidas un kokskaidas, un izpūtiet to no pretējās puses **gaisa ieplūdes (O-2)**. (O2. att.)

O-1	Putekļu iztukšošanas vāciņš	O-2	Gaisa ieplūde
-----	-----------------------------	-----	---------------

VADSLĪDES APKOPE

Kad vadslīdei rodas nodiluma pazīmes, demontējiet to no ķēdes zāģa instrumentgalvas, apgrieziet otrādi un uzlieciet atpakaļ (P1 att.); šādā gadījumā ķēde nodils vienmērīgi, nodrošinot maksimālu slīdes kalpošanas laiku.

Katrā lietošanas dienā slīde ir jānoņirā un jāpārbauda (ieskaitot **slīdes līnijas (P-1)** un **eļļošanas atveri (P-2)**), vai uz tās nav redzamas nodiluma pazīmes un bojājumi. Slīdes līniju atstarpošanās un atskabargu veidošanās ir normāls slīdes nodilšanas process. Šādas nepilnības jānolīdzina ar vīli tiklīdz tās tiek konstatētas. Slīdi, kurai ir kāds no šiem bojājumiem, jānomaina:

Nodilums slīdes līnijās, kuras ļauj uzlikt ķēdi sāniski;

- Saliekta vadslīde;
- Izplaisājušas vai saplīsušas slīdes līnijas;
- Izpletušās slīdes līnijas.

Vadslīdes galā ir ķēdesrats. Šis ķēdesrats ir jāieeļļo ar eļļas šļirci reizi nedēļā, lai pagarinātu vadslīdes kalpošanas laiku (P3 un P4 att.). Pagrieziet **uzgāja**

ķēdesratu (P-3), vienlaikus iesūknējot **caurspīdīgo dzelteno, caurspīdīgo sarkano vai caurspīdīgo** smērvielu **eļļošanas atverē (P-4)**, līdz jaunā smērviela ir izklāta pa visu ķēdesratu. Neiestumiet neftīrus atverē.

P-1	Slīdes līnijas	P-3	Ķēdesrats
P-2	Eļļošanas atvere	P-4	Eļļošanas atvere

KĒDES APKOPE

Šim zāģim lietojiet tikai ķēdes ar zemu atsitienu. Pareizi uzturot un apkopjot, šī ātri zāģējošā ķēde nodrošinās atsitienu ietekmes samazināšanu.

Pareizi uzasināta zāģa ķēde vienkārši spēj iziet cauri kokam, pat piemērojot pavisam maz spēka. Nekad nelietojiet trulu vai bojātu ķēdes zāģi. Truls zāģa ķēdes griezējs rada papildu fizisko slodzi, palielina vibrācijas, sniedz neapmierinošus zāģēšanas rezultātus un palielina nodilumu.

Lai zāģēšana būtu gluda un ātra, ķēdi nepieciešams pareizi uzturēt un apkopt. Ja koka skaidas ir mazas un pūderveida, zāģēšanas laikā ķēdi nepieciešams ar spēku spiest cauri kokam vai zāģē tikai viena ķēdes puse, ķēdi nepieciešams uzasināt. Veicot ķēdes apkopi, ņemiet vērā šādus aspektus.

Nepareizs sānu plāksnes vīlēšanas leņķis var palielināt smaga atsitienu risku.

- Dziļummēra klīrens. Pārāk zems novietojums palielina atsitienu iespējamību. Nepietiekami zems novietojums samazina zāģēšanas stabilitāti.
- Ja griezēja zobi ir sadūrušies ar citiem priekšmetiem, piemēram, naglām vai akmeņiem, vai tos noberzuši uz koka esošie dubļi vai smiltis, lūdziet kvalificētam servisa tehniķim uzasināt ķēdi.

Uzmanību! Zāģa ķēdes asināšanu un apkopi ieteicams veikt pilnvarotā servisa centrā.

TRANSPORTĒŠANA UN UZGLABĀŠANA

- Neuzglabājiet vai netransportējiet ķēdes zāģi, kamēr tas darbojas. Vienmēr pirms novietošanas glabāšanā vai transportēšanas izvelciet no rozetes strāvas kontaktdakšu.
- Vienmēr pirms ķēdes zāģa novietošanas glabāšanā vai transportēšanas uzlieciet vadslīdei un ķēdei vadslīdes pārvalku. Rīkojieties uzmanīgi, lai izvairītos no asajiem ķēdes zobiem.
- Pirms uzglabāšanas rūpīgi notīriet ķēdes zāģi. Uzglabājiet ķēdes zāģi iekštelpās, sausā un aizslēgtā vai bērniem nepieejamā vietā.
- Sargājiet no kodīgām vielām, piemēram, dārzā lietojamajām ķīmikālijām un atledošanas sāls.

Apkārtējās vides aizsardzība



Direktīva par elektrisko un elektronisko iekārtu atkritumiem (EEIA) Neutilizējiet elektrisko aprīkojumu, izlietoto akumulatoru un lādētāju sadzīves atkritumos.

Nogādājiet šo produktu uz pilnvarotu pārstrādes punktu un sagatavojiet atkritumu šķirošanai. Elektriskos instrumentus jānogādā videi nekaitīgā pārstrādes rūpnīcā.

KĻŪDU NOVĒRŠANA

PROBLĒMA	CĒLONIS	RISINĀJUMS
Nedarbojas motors.	<ul style="list-style-type: none"> ■ Kēdes zāģī nav ievietota akumulatora ietvara strāvas kontaktdakša. ■ Starp akumulatoru un tā ietvaru nav elektriskā savienojuma. ■ Nav uzlocīta fiksācijas mēlīte. ■ „IESL./IZSL.” slēdzis atrodas pozīcijā „OFF” (izslēgts). ■ Ieslēgta kēdes bremze. 	<ul style="list-style-type: none"> ■ Iespraudiet kēdes zāģī akumulatora ietvara strāvas kontaktdakšu. ■ Atvienojiet akumulatoru, pārbaudiet kontaktus un ievietojiet atpakaļ. ■ Pirms iedarbināt mašīnu uzlociet fiksācijas mēlīti. ■ Pagrieziet „IESL./IZSL.” slēdzi pozīcijā „ON” (ieslēgts). ■ Atvelciet kēdes atsītienu bremzes rokturi atpakaļ augšējā roktura virzienā, nonākot darba stāvoklī.
Zāģēšanas laikā laikā kēdes zāģis pārstāj darboties.	<ul style="list-style-type: none"> ■ Akumulators vai kēdes zāģis ir pārāk karsts. ■ Kēdes zāģa pārslodze. ■ Pārāk daudz koka gabaliņu aizsprostojuši ventilācijas kanālu. ■ Akumulatoru bloks ir izlādējies. 	<ul style="list-style-type: none"> ■ Atdzesējiet akumulatoru vai kēdes zāģi ■ Samaziniet slodzi. ■ Izfīriet putekļus, apskatiet nodaļu „PUTEKĻU NOTĪRĪŠANA”. ■ Uzlādējiet akumulatoru bloku
Nedarbojas kēdes bremze	<ul style="list-style-type: none"> ■ Gruži kavē pilnīgu kēdes atsītienu bremzes roktura kustību. ■ Iespējami kēdes bremzes darbības traucējumi. 	<ul style="list-style-type: none"> ■ Izfīriet gruzus no ārējā kēdes bremzes mehānisma ■ Ja nepieciešams veikt labošanas darbus, sazinieties ar EGO klientu apkalpošanas nodaļu.
Neēļot griešanas laikā.	<ul style="list-style-type: none"> ■ Kēdes eļļas tvertne ir tukša. ■ Aizsērējusi kēdes slīdes eļļas izplūdes atvere ■ Zemā temperatūrā sacietējusi eļļa 	<ul style="list-style-type: none"> ■ Uzpildiet slīdes un kēdes smērvielu. ■ Izfīriet putekļus no eļļas izplūdes atveres. ■ Nomainiet ar pareizo smērēļu (piemērota zema temperatūrai)
Zema eļļas līmeņa indikators mirgo sarkanā krāsā vai deg neparastā gaismā, kamēr eļļas tvertnē ir piepildīta eļļa.	<ul style="list-style-type: none"> ■ Mašīnas īpašā izmantošanas leņķa dēļ eļļa no eļļas tvertnes neieplūst eļļas caurulē. ■ Eļļas kategorija un krāsa nav ieteicama. ■ Zema eļļas līmeņa indikators joprojām mirgo sarkanā krāsā. 	<ul style="list-style-type: none"> ■ Novietojiet kēdes zāģi uz plakana pamata un mēģiniet vēlreiz. ■ Izmantojiet ieteicamo caurspīdīgo dzelteno, caurspīdīgo sarkano vai caurspīdīgo eļļu ■ Ja nepieciešams veikt labošanas darbus, sazinieties ar EGO klientu apkalpošanas nodaļu
Zema eļļas līmeņa indikators nedeg, kad eļļas tvertnē trūkst eļļas.	<ul style="list-style-type: none"> ■ Eļļas kategoriju un krāsu nevar noteikt. ■ Neliels eļļas daudzums joprojām atrodas eļļas tvertnē vai eļļas caurulē. ■ Zema eļļas līmeņa indikators joprojām nedarbojas iepriekš minēto iemeslu dēļ. 	<ul style="list-style-type: none"> ■ Izmantojiet ieteicamo caurspīdīgo dzelteno, caurspīdīgo sarkano vai caurspīdīgo eļļu ■ Padarbiniet kēdes zāģi kādu laiku un pēc tam vēlreiz apskatiet zemā eļļas līmeņa indikatoru ■ Ja nepieciešams veikt labošanas darbus, sazinieties ar EGO klientu apkalpošanas nodaļu.

LV

GARANTĪJA

EGO GARANTĪJAS POLITIKA

Lūdzu, apmeklējiet tīmekļa vietni egopowerplus.eu, kur pieejama pilna EGO garantijas politikas noteikumu un nosacījumu versija.

158

ΔΙΑΒΑΣΤΕ ΟΛΕΣ ΤΙΣ ΟΔΗΓΙΕΣ!



ΔΙΑΒΑΣΤΕ ΤΟ ΕΓΧΕΙΡΙΔΙΟ ΧΡΗΣΗΣ

ΣΥΜΒΟΛΟ ΑΣΦΑΛΕΙΑΣ

Ο σκοπός των συμβόλων ασφαλείας είναι να σας επιστήσουν την προσοχή σε ενδεχόμενους κινδύνους. Προσέξτε και κατανοήστε τα σύμβολα ασφαλείας και τις εξηγήσεις που τα συνοδεύουν. Τα σύμβολα προειδοποίησης από μόνα τους δεν εξαιρούν κανέναν κίνδυνο. Οι οδηγίες και οι προειδοποιήσεις που παρέχουν δεν υποκαθιστούν τα κατάλληλα μέτρα πρόληψης ατυχημάτων.

▲ ΠΡΟΕΙΔΟΠΟΙΗΣΗ: Βεβαιωθείτε ότι έχετε διαβάσει και κατανοήσει όλες τις οδηγίες ασφαλείας στο παρόν εγχειρίδιο χρήσης, συμπεριλαμβανομένων όλων των συμβόλων ασφαλείας, όπως «**ΚΙΝΔΥΝΟΣ**», «**ΠΡΟΕΙΔΟΠΟΙΗΣΗ**» και «**ΠΡΟΣΟΧΗ**», προτού να χρησιμοποιήσετε αυτό το ηλεκτρικό εργαλείο. Η μη τήρηση όλων των παρακάτω οδηγιών μπορεί να οδηγήσει σε ηλεκτροπληξία, πυρκαγιά και/ή σοβαρό τραυματισμό.

ΕΠΕΞΗΓΗΣΗ ΣΥΜΒΟΛΩΝ

Αυτή η σελίδα απεικονίζει και περιγράφει τα σύμβολα ασφαλείας που μπορεί να υπάρχουν επάνω στο προϊόν. Διαβάξτε, κατανοήστε και τηρείτε όλες τις οδηγίες επάνω στη μηχανή, προτού επιχειρήσετε να τη συναρμολογήσετε και να τη χρησιμοποιήσετε.

ΣΥΜΒΟΛΑ ΑΣΦΑΛΕΙΑΣ



Προειδοποίηση ασφαλείας



Φοράτε γάντια για βαριές εργασίες από ανθεκτικό υλικό.



Φοράτε αντολισθητικά υποδήματα.



Λαμβάνετε υπόψη το λάκτισμα – Πρέπει να αποφεύγεται οποιαδήποτε επαφή της οδηγητικής μπάρας με οποιοδήποτε αντικείμενο



Λάκτισμα άκρης οδηγητικής μπάρας – Η επαφή της άκρης μπορεί να προκαλέσει ξαφνική κίνηση της οδηγητικής μπάρας προς τα επάνω και πίσω, με συνέπεια σοβαρό τραυματισμό.



Αυτό το προϊόν συμμορφώνεται με την ισχύουσα νομοθεσία του ΗΒ.



Εγγυημένη στάθμη ηχητικής ισχύος.



Αυτό το προϊόν συμμορφώνεται με τις εφαρμοστές οδηγίες της ΕΚ.

IPX5

Προστατευόμενο από πίδακες νερού χαμηλής πίεσης από οποιαδήποτε κατεύθυνση



Προκειμένου να μειωθεί ο κίνδυνος τραυματισμού, ο χρήστης πρέπει να διαβάσει και να κατανοήσει το εγχειρίδιο χρήσης προτού να χρησιμοποιήσει αυτό το προϊόν.



Φοράτε ρούχα με στενή εφαρμογή. Μη φοράτε φουλάρι, γραβάτα ή κοσμήματα.



Φοράτε γυαλιά ασφαλείας με στενή εφαρμογή, υγροασπίδες ή ωτοπροστασία, και κράνος με μίαντα για το σαγόνι.



Κράτημα με τα δυο χέρια – Να κρατάτε πάντα το αλυσσπρίονο και με τα δυο σας χέρια όταν το χρησιμοποιείτε.



Πληροφορίες για την οδηγητική μπάρα.



Τα απόβλητα ειδών ηλεκτρικού και ηλεκτρονικού εξοπλισμού δεν πρέπει να απορρίπτονται στα οικιακά απορρίμματα. Παραδώστε τα σε εξουσιοδοτημένη μονάδα ανακύκλωσης.


V Volt



Συνεχές ρεύμα

GR

ΤΕΧΝΙΚΕΣ ΠΡΟΔΙΑΓΡΑΦΕΣ

Τάση	56 V 	
Συνιστώμενη θερμοκρασία λειτουργίας:	-15°C-40°C	
Συνιστώμενη θερμοκρασία αποθήκευσης:	-40°C-70°C	
Βέλτιστη θερμοκρασία φόρτισης	5°C-40°C	
Μήκος κοπής	300 mm	
Ταχύτητα αλυσίδας	20 m/s	
Βήμα αλυσίδας	9,5 mm (3/8")	
Ένδειξη αλυσίδας	1,1 mm	
Τύπος αλυσίδας αλυσοπριονίου	AC1200 (Συνιστάται) AC1400/AC1401 (Συμβατό) AC1600/AC1601 (Συμβατό)	
Τύπος οδηγητικής μπάρας	AG1200 (Συνιστάται) AG1400/AG1401 (Συμβατό) AG1600/AG1601 (Συμβατό)	
Βήμα αλυσίδας	9,5 mm (3/8")	
Ένδειξη αλυσίδας	1,1 mm	
Καθορισμένος αριθμός οδοντώσεων οδοντοτροχού οδήγησης	6	
Χωρητικότητα ρεζερβουάρ λαδιού	250 ml	
Βάρος (χωρίς συστοιχία μπαταριών, θήκη αλυσίδας)	3,5 kg	
Μετρημένη στάθμη ηχητικής ισχύος L_{WA}	98,8 dB(A) K=3 dB(A)	
Στάθμη ηχητικής πίεσης στη θέση εργασίας L_{PA}	88,1 dB(A) K=3 dB(A)	
Εγγυημένη στάθμη ηχητικής ισχύος L_{WA} (κατά 2000/14/EK)	102 dB(A)	
a_h Κραδασμοί	Μπροστινή χειρολαβή	1,73 m/s ² K= 1,5 m/s
	Κύρια χειρολαβή	2,21 m/s ² K= 1,5 m/s

- Η δηλωθείσα συνολική τιμή κραδασμών έχει μετρηθεί σύμφωνα

με πρότυπη μέθοδο ελέγχου και μπορεί να χρησιμοποιηθεί για τη σύγκριση ενός εργαλείου με κάποιο άλλο.

- Η αναφερόμενη συνολική τιμή κραδασμών μπορεί να χρησιμοποιηθεί, επίσης, για προκαταρκτική αξιολόγηση έκθεσης.

ΣΗΜΕΙΩΣΗ: Οι εκπομπές κραδασμών κατά τη διάρκεια της πραγματικής χρήσης του ηλεκτρικού εργαλείου μπορεί να διαφέρουν από τη δηλωμένη τιμή στην οποία χρησιμοποιείται το εργαλείο. Για την προστασία του χειριστή, πρέπει να χρησιμοποιούνται γάντια και προστασία της ακοής στις πραγματικές συνθήκες χρήσης.

ΠΕΡΙΓΡΑΦΗ

ΓΝΩΡΙΣΤΕ ΤΟ ΑΛΥΣΟΠΡΙΟΝΟ ΣΑΣ (Εικ. A1)

1. Αλυσίδα αλυσοπριονίου
2. Πτερύγιο φρένου λακτίσματος
3. Γλωπίδια ασφάλισης
4. Κύρια χειρολαβή
5. Σκανδάλη μεταβλητής ταχύτητας
6. Οφθαλμίδιο
7. Ένδειξη συστοιχίας μπαταριών
8. Ένδειξη χαμηλής στάθμης λαδιού
9. Μπροστινή χειρολαβή
10. Καπάκι δοχείου λαδιού
11. Οδηγητική μπάρα
12. Οπή λίπανσης
13. Οδοντοτροχός
14. Βίδα τάνυσης
15. Διακόπτης ασφαλείας ON-OFF
16. Κοχλίας οδήγησης
17. Παζιμάδι μπάρας
18. Διάταξη πλευρικού καλύμματος
19. Καπάκι βίδας ρύθμισης ροής λαδιού
20. Καπάκι απομάκρυνσης σκόνης
21. Μηχανισμός εκτόξευσης
22. Ηλεκτρικές επαφές
23. Κουμπί αποδέσμευσης της συστοιχίας μπαταριών
24. Άγκιστρο ζώνης
25. Αγκράφα
26. Ίμάντας
27. Καλώδιο
28. Δακτύλιος 1
29. Άγκιστρο πριονιού
30. Βύσμα ισχύος
31. Δακτύλιος 2
32. Θήκη αλυσίδας
33. Συνδυαστικό μηχανικό κλειδί

ΚΑΤΑΛΟΓΟΣ ΕΞΑΡΤΗΜΑΤΩΝ ΣΥΣΚΕΥΑΣΙΑΣ (ΕΙΚ. A1)

GR

ΣΥΝΑΡΜΟΛΟΓΗΣΗ

ΣΥΝΑΡΜΟΛΟΓΗΣΗ/ΑΠΟΣΥΝΑΡΜΟΛΟΓΗΣΗ ΜΠΑΡΑΣ ΚΑΙ ΑΛΥΣΙΔΑΣ

⚠️ ΠΡΟΕΙΔΟΠΟΙΗΣΗ: Αποσυνδέετε πάντα το βύσμα ισχύος και φοράτε προστατευτικά γάντια προτού να συναρμολογήσετε ή να πραγματοποιήσετε συντήρηση στο προϊόν.

⚠️ ΠΡΟΕΙΔΟΠΟΙΗΣΗ: Μελετήστε όλες τις προειδοποιήσεις ασφάλειας, τις οδηγίες, τις εικόνες και τις προδιαγραφές που συνοδεύουν αυτό το ηλεκτρικό εργαλείο. Εάν δεν τηρηθούν όλες οι οδηγίες που αναφέρονται παρακάτω, μπορεί να προκληθεί ηλεκτροπληξία, πυρκαγιά και/ή σοβαρός τραυματισμός.

⚠️ ΠΡΟΕΙΔΟΠΟΙΗΣΗ: Βεβαιωθείτε ότι θα παραγγείλετε την μπάρα και την αλυσίδα αλυσοπρίονου που αναφέρονται σε αυτό το εγχειρίδιο. Στην αντίθετη περίπτωση, υπάρχει κίνδυνος σοβαρού τραυματισμού.

Φυλάξτε όλες τις προειδοποιήσεις και τις οδηγίες για μελλοντική αναφορά.

- Βεβαιωθείτε ότι το πτερύγιο φρένου λακτίσματος βρίσκεται στη θέση .
- Ξεβιδώστε το **παξιμάδι μπάρας (A-17)** αριστερόστροφα για να αφαιρέσετε τη **διάταξη πλευρικού καλύμματος (A-18)**.
- Απλώστε την αλυσίδα αλυσοπρίονου σε μια θηλιά σε μια επίπεδη επιφάνεια και ισιώστε οποιοσδήποτε διπλώσεις. (Εικ. B1)
- Τοποθετήστε τους **συνδέσμους οδηγού (B-1)** μέσα στην **εγκοπή (B-2)** της οδηγητικής μπάρας και κάντε θηλιά στην αλυσίδα στο πίσω μέρος της οδηγητικής μπάρας. (Εικ. B2)
- Κρατήστε την αλυσίδα στην θέση της πάνω στην οδηγητική μπάρα και τοποθετήστε την θηλιά γύρω από τον **οδοντοτροχό (B-3)** της κεφαλής ισχύος, και ελέγξτε τα ακόλουθα στοιχεία (Εικ. B3):
 - Οι σύνδεσμοι οδηγού αλυσίδας εφάπτονται στις οδοντώσεις του **οδοντοτροχού αλυσίδας (B-3)**.
 - Η **βίδα τάνσης (B-4)** και ο **κοχλίας οδήγησης (B-5)** βρίσκονται στην υποδοχή της οδηγητικής μπάρας. Η **περόνη τάνσης (B-6)** είναι δεσμευμένη στην οπή της οδηγητικής μπάρας.

ΣΗΜΕΙΩΣΗ: Βεβαιωθείτε ότι η κατεύθυνση των βελών επάνω στις οδοντώσεις της αλυσίδας αλυσοπρίονου είναι πάντοτε προς τα εμπρός (Εικ. B3).

- Ανατρέξτε στην ενότητα «ΤΑΝΥΣΗ ΤΗΣ ΑΛΥΣΙΔΑΣ ΑΛΥΣΟΠΡΙΟΝΟΥ» για να βεβαιωθείτε ότι η αλυσίδα

έχει συναρμολογηθεί σωστά χωρίς να μαγκώνει.

- Ευθυγραμμίστε τις **δύο ράβδους οδήγησης (B-7)** διάταξης πλευρικού καλύμματος με τις αντίστοιχες **οπές (B-8)** του αλυσοπρίονου και, στη συνέχεια, τοποθετήστε τη διάταξη πλευρικού καλύμματος. (Εικ. B4)
- Συσφίξτε το παξιμάδι μπάρας.

B-1	Σύνδεσμοι οδηγού	B-5	Κοχλίας οδήγησης
B-2	Εγκοπή	B-6	Περόνη τάνσης
B-3	Οδοντοτροχός αλυσίδας	B-7	Ράβδοι οδήγησης
B-4	Βίδα τάνσης	B-8	Οπές

ΣΗΜΕΙΩΣΗ: Σε περίπτωση που απαιτηθεί αντικατάσταση της οδηγητικής μπάρας, αποσυναρμολογήστε τη διάταξη πλευρικού καλύμματος και συναρμολογήστε την εκ νέου με τη νέα οδηγητική μπάρα, σύμφωνα με την Εικ. C.

ΛΕΙΤΟΥΡΓΙΑ

Πριν από κάθε χρήση, ελέγχετε ολόκληρο το προϊόν για ζημιά, έλλειψη ή χαλάρωση εξαρτημάτων, όπως, βιδών, παξιμαδιών, κτλ. Συσφίγγετε καλά όλους τους σφιγκτήρες και τα καπάκια και μην χρησιμοποιήσετε το προϊόν προτού να αποκατασταθούν όλα εξαρτήματα που λείπουν ή παρουσιάζουν ζημιά.

⚠️ ΠΡΟΕΙΔΟΠΟΙΗΣΗ: Ορισμένοι εθνικοί κανονισμοί ενδέχεται να περιορίζουν τη χρήση της μηχανής.

⚠️ ΠΡΟΕΙΔΟΠΟΙΗΣΗ: Μην χρησιμοποιείτε τη μηχανή όταν είστε κουρασμένοι, άρρωστοι ή υπό την επήρεια αλκοόλ ή άλλων ουσιών.

ΣΗΜΕΙΩΣΗ: Σε περίπτωση απώλειας ελέγχου, όπως λακτίσματος, αποσυνδέετε αμέσως τη παροχή ρεύματος.

ΕΦΑΡΜΟΓΗ

Το προϊόν μπορεί να χρησιμοποιηθεί στη βροχή.

- Αυτό το αλυσοπρίονο έχει σχεδιαστεί ειδικά για το κλάδεμα και τη συντήρηση δέντρων.



Αυτό το αλυσοπρίονο μπορεί να χρησιμοποιηθεί μόνο από άτομα που έχουν εκπαιδευτεί για εργασίες συντήρησης δέντρων.

ΣΗΜΕΙΩΣΗ: Ο αρχάριος χρήστης συνιστάται να κάνει εξάσκηση στην κοπή κούτσουρων σε υποστάτη ξυλοουργό ή σε φανίνο.

ΤΑΝΥΣΗ ΤΗΣ ΑΛΥΣΙΔΑΣ ΑΛΥΣΟΠΡΙΟΝΟΥ

⚠️ ΠΡΟΕΙΔΟΠΟΙΗΣΗ: Ποτέ μην αγγίζετε ή ρυθμίζετε την αλυσίδα ενώ λειτουργεί ο κινητήρας. Η αλυσίδα αλυσοπρίονου είναι εξαιρετικά αιχμηρή. Φοράτε πάντα προστατευτικά γάντια όταν πραγματοποιείτε συντήρηση στην

GR

αλυσίδα.

Η αλυσίδα διαστέλλεται και συστέλλεται κατά τη διάρκεια της φυσιολογικής λειτουργίας του αλυσοπρίονου. Αυτό έχει ως αποτέλεσμα να μεταβάλλεται η τάνυση της αλυσίδας. Ελέγχετε τακτικά την τάνυση αλυσίδας κατά τη διάρκεια της λειτουργίας και προσαρμόστε την εφόσον απαιτηθεί.

1. Απενεργοποιήστε το αλυσοπρίονο, βάλτε το φρένο αλυσίδας και αποσυνδέστε το βύσμα ισχύος.
2. Ξεβιδώστε το παξιμάδι μπάρας, έτσι ώστε η οδηγητική μπάρα να μπορεί να κινηθεί απρόσκοπτα για την επικείμενη ρύθμιση.
3. Κρατήστε τη μύτη της μπάρας προς τα επάνω και ρυθμίστε τη βίδα τάνυσης μέχρι να ισχύσουν τα ακόλουθα:
 - a) Η κοιλιά της αλυσίδας στο κέντρο της μπάρας είναι περίπου: 1 - 2 mm (Εικ. D).
 - b) Αποδεσμεύστε το φρένο αλυσίδας και βεβαιωθείτε ότι η αλυσίδα μπορεί να τραβηχτεί κατά μήκος της μπάρας με δυο δάχτυλα.

ΣΗΜΕΙΩΣΗ: Εκτελέστε αυτό το βήμα με προσοχή, ώστε να αποφευχθεί οποιοσδήποτε τραυματισμός. Επειδή αυτός ο κινητήρας συνεχούς ρεύματος περιέχει μαγνητικό υλικό, σε αντίθεση με τα συμβατικά αλυσοπρίονα βενζίνης, όταν τραβάτε την αλυσίδα με δυο δάχτυλα θα νιώσετε κάποια αντίσταση. Δεν είναι τόσο ήπια όσο στα αλυσοπρίονα βενζίνης.

4. Διατηρήστε τη μύτη της μπάρας προς τα επάνω και συσφίξτε το παξιμάδι μπάρας.

ΣΗΜΕΙΩΣΗ: Εάν η κοιλιά της αλυσίδας στο κέντρο της μπάρας δεν είναι 1 - 2 mm, επαναλάβετε τη ρύθμιση της τάνυσης.

GR

ΠΛΗΡΩΣΗ ΡΕΖΕΡΒΟΥΑΡ ΛΑΔΙΟΥ

1. Αποσυνδέστε τη συστοιχία μπαταριών από το αλυσοπρίονο.
2. Τοποθετήστε το αλυσοπρίονο με το πλάι επάνω σε μια γερή, επίπεδη επιφάνεια, έτσι ώστε το καπάκι ρεζερβουάρ λαδιού να έχει κατεύθυνση προς τα επάνω. Ανοίξτε το καπάκι ρεζερβουάρ λαδιού Εάν είναι υπερβολικά σφιχτό, χρησιμοποιήστε την κεφαλή επίπεδου κατσαβιδιού του συνδυαστικού μηχανικού κλειδιού για να το ξεσφίξετε (Εικ. Ε).
3. Συμπληρώστε με προσοχή λάδι στο ρεζερβουάρ λαδιού. Γεμίστε μέχρι τη βάση του λαιμού πλήρωσης. Σκουπίστε τυχόν υπερβάλλον λάδι και κλείστε το καπάκι ρεζερβουάρ λαδιού.

ΣΗΜΕΙΩΣΗ:

- Το αλυσοπρίονο δεν έχει λάδι μέσα κατά την αγορά

του. Είναι απαραίτητο να γεμίσετε το ρεζερβουάρ με λάδι πριν από τη χρήση. Η αλυσίδα λιπαίνεται αυτόματα με λάδι αλυσίδας κατά τη διάρκεια της λειτουργίας.

- Έχει σχεδιαστεί ειδικά για να παρέχει χαμηλή τριβή και ταχύτερες κοπές.
- Μη χρησιμοποιείτε ποτέ λάδι ή άλλα λιπαντικά που δεν έχουν σχεδιαστεί ειδικά για χρήση στην μπάρα και την αλυσίδα. Αυτό μπορεί να οδηγήσει σε βούλωμα του συστήματος λαδιού, προκαλώντας πρόωρη φθορά της μπάρας και της αλυσίδας.

ΡΥΘΜΙΣΗ ΡΟΗΣ ΛΑΔΙΟΥ (Εικ. F)

- Το αλυσοπρίονο είναι εξοπλισμένο με **βίδα ρύθμισης ροής λαδιού (F-1)**, η οποία βρίσκεται στο κάτω μέρος του ηλεκτρικού εργαλείου, και χρησιμοποιείται για τη ρύθμιση της ροής λαδιού για τη λίπανση της αλυσίδας, της μπάρας και του συστήματος κοπής. Αυξήστε ή μειώστε τη ροή λαδιού σύμφωνα με την κατεύθυνση των βελών που υπάρχουν επάνω στο πλαίσιο.

ΕΝΔΕΙΞΗ LED ΕΠΑΝΩ ΣΤΟ ΑΛΥΣΟΠΡΙΟΝΟ

Το αλυσοπρίονο είναι εξοπλισμένο με 2 ενδείξεις LED που επισημαίνουν τη στάθμη λαδιού και το επίπεδο φόρτισης της συστοιχίας μπαταριών.

Ένδειξη LED	Επεξήγηση	Ενέργεια	
Ένδειξη χαμηλής στάθμης λαδιού (A-8)	Αναβοσβήνει κόκκινη	Έλλειψη λαδιού	Συμπληρώστε λάδι στο ρεζερβουάρ λαδιού
	Σβηστή	Υπάρχει λάδι	/
Ένδειξη συστοιχίας μπαταριών (A-7)	Ανάβει πράσινη	Η συστοιχία μπαταριών είναι φορτισμένη	/
	Αναβοσβήνει πράσινη	Η συστοιχία μπαταριών έχει σχεδόν αδειάσει και πρέπει να φορτιστεί αμέσως.	Φορτίστε τη συστοιχία μπαταριών

ΠΡΟΣΑΡΤΗΣΗ ΤΗΣ ΘΗΚΗΣ ΣΥΣΤΟΙΧΙΑΣ ΜΠΑΤΑΡΙΩΝ ΣΤΟΝ ΙΜΑΝΤΑ ΑΝΑΡΡΙΧΗΣΗΣ

Αυτό το αλυσοπρίονο συνοδεύεται από μια θήκη συστοιχίας μπαταριών που χρησιμοποιείται για τη μεταφορά της συστοιχίας μπαταριών και μπορεί να προσαρτηθεί στον ιμάντα αναρρίχησης (δεν περιλαμβάνεται).

ΣΗΜΕΙΩΣΗ: Συσφίξτε τη θήκη συστοιχίας μπαταριών γερά επάνω στον ιμάντα αναρρίχησης προτού να

φορέσετε τον ιμάντα αναρρίχησης.

▲ ΠΡΟΕΙΔΟΠΟΙΗΣΗ: Η ζώνη αναρρίχησης με λειτουργία γρήγορης αποδέσμευσης πρέπει να έχει προετοιμαστεί για την αποφυγή έκτακτης ανάγκης.

1. Επιλέξτε το επιθυμητό σημείο για το κρέμασμα της θήκης συστοιχίας μπαταριών στον ιμάντα αναρρίχησης και κρεμάστε τη θήκη στον ιμάντα με τη βοήθεια του **άγκιστρου ζώνης (G-1)**. (Εικ. G1)
2. Τυλίξτε τη ζώνη γύρω από τον ιμάντα αναρρίχησης για να σταθεροποιήσετε τη θήκη συστοιχίας μπαταριών στη θέση της (Εικ. G2 & G3).
3. Προσαρτήστε τους δύο **δακτυλίους (G-2)** του καλωδίου ασφαλείας στον ιμάντα αναρρίχησης, χρησιμοποιώντας δύο καραμπίνερ (δεν παρέχονται), σύμφωνα με την Εικ. G4.

G-1	Άγκιστρο ζώνης	G-2	Δακτύλιοι
-----	----------------	-----	-----------

ΣΗΜΕΙΩΣΗ:

- Όταν σκαρφώνετε σε δέντρο, προσαρτάτε τους δακτυλίους 1 και 2 του καλωδίου ασφαλείας στον ιμάντα αναρρίχησης με τη βοήθεια καραμπίνερ (δεν περιλαμβάνονται) (Εικ. G5).
- Όταν το ηλεκτρικό εργαλείο χρησιμοποιείται, αφαιρείτε το δακτύλιο 2 από τον ιμάντα αναρρίχησης, και κρατάτε το αλυσοπρίονο και με τα δύο χέρια για να κόψετε (Εικ. G6).

ΑΣΦΑΛΙΣΗ ΤΟΥ ΑΛΥΣΟΠΡΙΟΝΟΥ ΣΤΗ ΘΗΚΗ ΣΥΣΤΟΙΧΙΑΣ ΜΠΑΤΑΡΙΩΝ

Προσαρτήστε το **άγκιστρο πριονιού (H-2)** του καλωδίου ασφαλείας στο **οφθαλμίδιο (H-1)**. (Εικ. H)

H-1	οφθαλμίδιο	H-2	άγκιστρο πριονιού
-----	------------	-----	-------------------

ΤΟΠΟΘΕΤΗΣΗ/ΑΦΑΙΡΕΣΗ ΤΗΣ ΣΥΣΤΟΙΧΙΑΣ ΜΠΑΤΑΡΙΩΝ

ΣΗΜΕΙΩΣΗ: Φορτίζετε πλήρως τη συστοιχία μπαταριών πριν από την πρώτη χρήση.

Τοποθέτηση (Εικ. I1)


Ευθυγραμμίστε τις νευρώσεις της συστοιχίας μπαταριών με τις υποδοχές τοποθέτησης και, στη συνέχεια, ωθήστε τη συστοιχία μπαταριών μέσα στη θήκη συστοιχίας μπαταριών, μέχρι να ασφαλίσει στη θέση της.

Αφαίρεση (Εικ. I2)

Πιέστε το κουμπί αποδέσμευσης συστοιχίας μπαταριών με τον αντίχειρά σας για να αφαιρέσετε τη συστοιχία μπαταριών.

ΕΝΕΡΓΟΠΟΙΗΣΗ/ΑΠΕΝΕΡΓΟΠΟΙΗΣΗ ΤΟΥ ΑΛΥΣΟΠΡΙΟΝΟΥ

Ενεργοποίηση


1. Ευθυγραμμίστε τις ενδείξεις «▲» επάνω στο **βύσμα ισχύος (J-2)** και την **πρίζα** του αλυσοπριονίου (**J-1**) και, στη συνέχεια, συνδέστε το βύσμα με το αλυσοπρίονο, ώσπου να εξαφανιστεί ΤΕΛΕΙΩΣ η ΠΡΑΣΙΝΗ σφράγιση επάνω στην πρίζα (Εικ. J1).
2. Ωθήστε το διακόπτη «ON/OFF» στη θέση «ON» (Εικ. J2).
3. Τραβήξτε το περύγιο φρένου λακτίσματος προς την κύρια λαβή στη θέση .
4. Μετακινήστε τη **γλωττίδα ασφάλισης (J-3)** προς τα εμπρός και μετά πιέστε τη **σκανδάλη μεταβλητής ταχύτητας (J-4)**. Όσο πιο πολύ τραβάτε τη σκανδάλη μεταβλητής ταχύτητας προς τα επάνω, τόσο μεγαλύτερη ταχύτητα περιστροφής αποκτά το αλυσοπρίονο (Εικ. J3).

J-1	Πρίζα	J-3	Γλωττίδα ασφάλισης
J-2	Βύσμα ισχύος	J-4	Σκανδάλη μεταβλητής ταχύτητας

Απενεργοποίηση

1. Αποδεσμεύστε τη σκανδάλη μεταβλητής ταχύτητας για να σταματήσετε το αλυσοπρίονο.

ΣΗΜΕΙΩΣΗ: Η αλυσίδα αλυσοπριονίου θα εξακολουθήσει να περιστρέφεται για σύντομο χρονικό διάστημα μετά την αποδέσμευση της σκανδάλης μεταβλητής ταχύτητας. Αποφεύγετε την επαφή αφού αποδεσμεύσετε τη σκανδάλη μεταβλητής ταχύτητας και όταν αποθέτετε το αλυσοπρίονο.

2. Ωθήστε το περύγιο φρένου λακτίσματος προς τα εμπρός στη θέση «».
3. Περιστρέψτε το διακόπτη «ON-OFF» στη θέση «OFF».

▲ ΠΡΟΕΙΔΟΠΟΙΗΣΗ: Αποσυνδέετε πάντοτε το βύσμα ισχύος από το αλυσοπρίονο κατά τη διάρκεια διαλειμμάτων και μετά την ολοκλήρωση της εργασίας.

ΠΡΟΕΤΟΙΜΑΣΙΑ ΓΙΑ ΤΗΝ ΚΟΠΗ

Σωστό πάσιμο των χειρολαβών (Εικ. K)

- Φοράτε αντιολισθητικά γάντια για μέγιστο κράτημα και προστασία.
- Πιάνετε πάντα την μπροστινή χειρολαβή με το αριστερό χέρι και την κύρια χειρολαβή με το δεξιό χέρι.
- Τα δάχτυλα πρέπει περικλείουν τη χειρολαβή, με τον αντίχειρα τυλιγμένο κάτω από την μπροστινή χειρολαβή.

⚠️ ΠΡΟΕΙΔΟΠΟΙΗΣΗ: Ποτέ μη χρησιμοποιείτε αριστερό κράτημα (διασταύρωση χεριών) ή οτιδήποτε μπορεί να θέσει το σώμα ή το βραχιόνιό σας εγκάρσια της γραμμής κοπής της αλυσίδας.

⚠️ ΠΡΟΕΙΔΟΠΟΙΗΣΗ: Μη λειτουργείτε το διακόπτη-σκανδάλη με το αριστερό χέρι και κρατάτε την μπροστινή χειρολαβή με το δεξί χέρι. Φροντίστε ώστε κανένα μέρος του σώματός σας να μη βρίσκεται στη γραμμή κοπής της αλυσίδας κατά τη διάρκεια χρήσης του αλυσοπριονίου (Εικ. L).

ΕΛΕΓΧΟΣ ΛΙΠΑΝΣΗΣ ΑΛΥΣΙΔΑΣ (Εικ. M)

ΣΗΜΕΙΩΣΗ: Βεβαιωθείτε ότι το ρεζερβουάρ λαδιού του αλυσοπριονίου διαθέτει την κατάλληλη ποσότητα λαδιού αλυσίδας.

1. Κρατήστε την οδηγητική μπάρα πάνω από μια ανοιχτόχρωμη επιφάνεια.
2. Ενεργοποιήστε το αλυσοπρίονο. Μετά από 1 λεπτό θα δείτε μια καθαρή γραμμή λαδιού πάνω στην ανοιχτόχρωμη επιφάνεια, εφόσον η λίπανση αλυσίδας λειτουργεί σωστά.
3. Σε περίπτωση που στην ανοιχτόχρωμη επιφάνεια δε φαίνεται λάδι, ανατρέξτε στην ενότητα «**ΡΥΘΜΙΣΗ ΡΟΗΣ ΛΑΔΙΟΥ**» για οδηγίες ρύθμισης.

ΚΛΑΔΕΜΑ ΔΕΝΤΡΟΥ

⚠️ ΠΡΟΕΙΔΟΠΟΙΗΣΗ: Όταν εργάζεστε ή σκαρφαλώνετε, συνιστάται η χρήση επιπρόσθετης υποστήριξης, όπως αναβολέα ή αναδέτη, για την αποτροπή αιώρησης ή απυχήματος κοπής.

Πριν από τη χρήση, ελέγξτε τα ακόλουθα σημεία:

- Ελέγξτε τα σημάδια φθοράς στον **οδοντοτροχό αλυσίδας (N-1)**. Εάν τα σημάδια φθοράς είναι βαθύτερα από 0,5 mm, επικοινωνήστε με τον αντιπρόσωπο σέρβις της EGO για την αντικατάσταση του οδοντοτροχού.
- Ελέγξτε επίσης το σύστημα φρένων. Εάν τα σημάδια στην **επένδυση φρένων (N-2)** είναι ανομοιόμορφα, επικοινωνήστε με τον αντιπρόσωπο σέρβις της EGO για την αντικατάσταση της επένδυσης φρένων. (Εικ. N)

N-1	Οδοντοτροχός αλυσίδας	N-2	Επένδυση φρένων
-----	-----------------------	-----	-----------------

- Ελέγξτε την οδηγητική μπάρα, ανατρέχοντας στην αντίστοιχη ενότητα: **ΣΥΝΤΗΡΗΣΗ ΟΔΗΓΗΤΙΚΗΣ ΜΠΑΡΑΣ**
- Ελέγξτε την αλυσίδα αλυσοπριονίου, ανατρέχοντας στην αντίστοιχη ενότητα: **ΣΥΝΤΗΡΗΣΗ ΑΛΥΣΙΔΑΣ**
- Ελέγξτε το φρένο αλυσίδας, ανατρέχοντας στην αντίστοιχη ενότητα: **ΣΥΣΚΕΥΕΣ ΑΣΦΑΛΕΙΑΣ**

ΛΑΚΤΙΣΜΑΤΟΣ ΣΕ ΑΥΤΟ ΤΟ

ΑΛΥΣΟΠΡΙΟΝΟ

- Ελέγξτε τα κουμπιά και τους διακόπτες, ανατρέχοντας στην αντίστοιχη ενότητα: **ΕΝΕΡΓΟΠΟΙΗΣΗ/ ΑΠΕΝΕΡΓΟΠΟΙΗΣΗ ΤΟΥ ΑΛΥΣΟΠΡΙΟΝΟΥ**
- Ελέγξτε τη λίπανση αλυσίδας, ανατρέχοντας στην αντίστοιχη ενότητα: **ΕΛΕΓΧΟΣ ΛΙΠΑΝΣΗΣ ΑΛΥΣΙΔΑΣ**

ΣΥΝΤΗΡΗΣΗ

ΚΑΘΑΡΙΣΜΟΣ

- Μετά από κάθε χρήση, καθαρίζετε τα υπολείμματα από την αλυσίδα και την οδηγητική μπάρα με μια μαλακή βούρτσα. Σκουπίζετε την επιφάνεια του αλυσοπριονίου με ένα καθαρό πανί βρεγμένο με ήπια σαπουνάδα.
- Για βαθύ καθαρισμό, αφαιρέστε τη διάταξη πλευρικού καλύμματος, κατεβάστε την οδηγητική μπάρα και την αλυσίδα αλυσοπριονίου, και χρησιμοποιήστε μια μαλακή βούρτσα για τη διεξοδική απομάκρυνση βρομιάς από την οδηγητική μπάρα, την αλυσίδα και τον οδοντοτροχό οδήγησης στην ηλεκτρική κεφαλή του αλυσοπριονίου.
- Καθαρίζετε πάντα τα ροκανίδια, τη σκόνη πριονίσματος και τους ρύπους από την εγκοπή οδηγητικής μπάρας όταν αντικαθιστάτε την αλυσίδα αλυσοπριονίου.

ΑΠΟΜΑΚΡΥΝΣΗ ΣΚΟΝΗΣ

1. Αποσυνδέστε το βύσμα ισχύος, αφήστε το αλυσοπρίονο να κρυώσει και συσφίξτε το καπάκι ρεζερβουάρ λαδιού.
2. Βάλτε το φρένο του αλυσοπριονίου
3. Χρησιμοποιήστε το συνδυαστικό μηχανικό κλειδί (παρέχεται) για να ξεβιδώσετε τη βίδα του **καπακιού απομάκρυνσης σκόνης (O-1)** ώστε να το ανοίξετε (Εικ. O1).
4. Καθαρίστε τη σκόνη κοπής και τα ροκανίδια που έχουν συσσωρευτεί στον ανεμιστήρα ψύξης, χρησιμοποιώντας πεπιεσμένο κρύο αέρα και φυσώντας από την **είσοδο αέρα (O-2)** στην αντίθετη πλευρά. (Εικ. O2).

O-1	Καπάκι απομάκρυνσης σκόνης	O-2	Είσοδος αέρα
-----	----------------------------	-----	--------------

ΣΥΝΤΗΡΗΣΗ ΟΔΗΓΗΤΙΚΗΣ ΜΠΑΡΑΣ

Όταν η οδηγητική μπάρα παρουσιάζει σημάδια φθοράς, αποσυναρμολογήστε την από την κεφαλή ισχύος αλυσοπριονίου και αντιστρέψτε την για επανατοποθέτηση (Εικ. P1). Με αυτόν τον τρόπο η φθορά θα καταμεριστεί

ομοιόμορφα για μεγαλύτερη διάρκεια ζωής της μπάρας. Η μπάρα [συμπεριλαμβανομένων **ραγών μπάρας (P-1)** και **οπής λίπανσης (P-2)**] πρέπει να καθαρίζεται κάθε ημέρα χρήσης και να ελέγχεται για φθορά και ζημιές (Εικ. P2). Σφύνωμα ή γρέζια στις ράγες μπάρας είναι φυσιολογικά σημάδια φθοράς της μπάρας. Τέτοια ίχνη πρέπει να λειαίνονται με μια λίμα μόλις εμφανιστούν. Μια μπάρα με κάποιο από τα ακόλουθα σημάδια πρέπει να αντικατασταθεί.

Φθορά στο εσωτερικό των ραγών μπάρας που επιτρέπει στην αλυσίδα να τρέχει λοξά.

- Λυγισμένη οδηγητική μπάρα.
- Ραγισμένες ή σπασμένες ράγες.
- Ανοιγμένες ράγες.

Η οδηγητική μπάρα έχει έναν οδοντοτροχό στην άκρη. Ο οδοντοτροχός πρέπει να λιπαίνεται κάθε εβδομάδα με μια σύριγγα με γράσο για την επιμήκυνση της διάρκειας ζωής της μπάρας (Εικ. P3 & P4). Περιστρέψτε τη **μύτη οδοντοτροχού (P-3)** καθώς αντλείτε **διάφανο κίτρινο, διάφανο κόκκινο ή διάφανο γράσο στην οπή λίπανσης (P-4)**, ώσπου να γεμίσει ολόκληρος ο οδοντοτροχός με νέο γράσο. Μην ωθείτε βρομιές μέσα στην οπή.

P-1	Ράγες μπάρας	P-3	Οδοντοτροχός
P-2	Οπή λίπανσης	P-4	Οπή λίπανσης

ΣΥΝΤΗΡΗΣΗ ΑΛΥΣΙΔΑΣ

Χρησιμοποιείτε μόνο αλυσίδες αλυσοπρίονου χαμηλού λακτίσματος σε αυτό το αλυσοπρίονο. Αυτή η αλυσίδα γρήγορης κοπής παρέχει μείωση λακτίσματος εφόσον συντηρείται σωστά.

Μια σωστά τροχισμένη αλυσίδα αλυσοπρίονου κόβει άνετα ξύλο, ακόμα και με πολύ λίγη πίεση. Ποτέ μη χρησιμοποιείτε στομωμένη ή φθαρμένη αλυσίδα αλυσοπρίονου. Η στομωμένη διάταξη κοπής αλυσίδας αλυσοπρίονου οδηγεί σε αυξημένη σωματική καταπόνηση, σε αυξημένο φορτίο κραδασμών, σε μη ικανοποιητικά αποτελέσματα κοπής και σε αυξημένες φθορές.

Για ήπια και γρήγορη κοπή, η αλυσίδα χρειάζεται σωστή συντήρηση. Η αλυσίδα απαιτεί τρόχισμα όταν τα ροκανίδια ξύλου είναι μικρά και μοιάζουν με σκόνη, η αλυσίδα πρέπει να εισέρχεται με δύναμη στο ξύλο κατά την κοπή αλλιώς η αλυσίδα θα κόψει στη μια πλευρά. Κατά τη συντήρηση της αλυσίδας, λαμβάνετε υπόψη τα εξής:

- Μια ακατάλληλη γωνία πλήρωσης της πλευρικής πλάκας μπορεί να αυξήσει τον κίνδυνο σοβαρού λακτίσματος.
- Κενό ρυθμιστή βάθους κοπής. Πολύ χαμηλό, αυξάνει την πιθανότητα λακτίσματος. Όχι αρκετά χαμηλό,

μειώνει την ικανότητα κοπής.

- Εάν οι οδοντώσεις κόφτη έχουν χτυπήσει σε σκληρά αντικείμενα όπως καρφιά και πέτρες ή έχουν τριφτεί από λάσπη ή άμμο στο ξύλο, τότε ένας εξειδικευμένος τεχνικός σέρβις πρέπει να ακονίσει την αλυσίδα.

ΣΗΜΕΙΩΣΗ: Συνιστάται το ακόνισμα και η συντήρηση της **αλυσίδας αλυσοπρίονου** σε εξουσιοδοτημένα κέντρα σέρβις.

ΜΕΤΑΦΟΡΑ ΚΑΙ ΑΠΟΘΗΚΕΥΣΗ

- Μην αποθηκεύετε ή μεταφέρετε το αλυσοπρίονο όταν αυτό βρίσκεται σε λειτουργία. Αποσυνδέετε πάντα το βύσμα ισχύος πριν την αποθήκευση ή τη μεταφορά.
- Τοποθετείτε πάντα τη θήκη οδηγητικής μπάρας στην οδηγητική μπάρα και την αλυσίδα αλυσοπρίονου προτού αποθηκεύσετε ή μεταφέρετε το αλυσοπρίονο. Να είστε προσεκτικοί και να αποφεύγετε την αιχμηρή οδόντωση της αλυσίδας.
- Καθαρίστε το αλυσοπρίονο επιμελώς πριν από την αποθήκευση. Αποθηκεύστε το αλυσοπρίονο σε εσωτερικό, στεγνό χώρο που κλειδώνει και όπου δεν πλησιάζουν παιδιά.
- Να διατηρείται μακριά από διαβρωτικές ουσίες, όπως χημικές ουσίες και αποπαγωγικά άλατα κήπου.

Προστασία του περιβάλλοντος



ΑΗΠΕ (Απόβλητα ειδών ηλεκτρικού και ηλεκτρονικού εξοπλισμού) – Μην απορρίπτετε ηλεκτρικό εξοπλισμό, παλιές μπαταρίες και φορτιστές στα οικιακά απορρίμματα! Μεταφέρετε αυτό το προϊόν σε εξουσιοδοτημένο κέντρο ανακύκλωσης και παραδώστε το για ξεχωριστή συλλογή. Τα ηλεκτρικά εργαλεία πρέπει να επιστρέφονται σε περιβαλλοντικά συμβατή μονάδα ανακύκλωσης.

GR

ΑΝΤΙΜΕΤΩΠΙΣΗ ΠΡΟΒΛΗΜΑΤΩΝ

ΠΡΟΒΛΗΜΑ	ΑΙΤΙΑ	SOLUTION
Ο κινητήρας δεν ενεργοποιείται.	<ul style="list-style-type: none"> ■ Το βύσμα ισχύος της θήκης συστοιχίας μπαταριών δεν έχει προσαρτηθεί στο αλυσοπρίονο. ■ Δεν υπάρχει ηλεκτρική επαφή μεταξύ θήκης συστοιχίας μπαταριών και συστοιχίας μπαταριών. ■ Η γλωπίδα ασφάλισης δεν είναι διπλωμένη. ■ Ο διακόπτης «ON-OFF» βρίσκεται στη θέση «OFF». ■ Το φρένο αλυσίδας έχει πιάσει. 	<ul style="list-style-type: none"> ■ Συνδέστε το βύσμα ισχύος της θήκης συστοιχίας μπαταριών στο αλυσοπρίονο. ■ Αφαιρέστε τη συστοιχία μπαταριών, ελέγξτε τις επαφές και εγκαταστήστε τη συστοιχία μπαταριών εκ νέου. ■ Διπλώστε τη γλωπίδα ασφάλισης προτού ξεκινήσετε. ■ Περιστρέψτε το διακόπτη «ON-OFF» στη θέση «ON». ■ Τραβήξτε το περὺγιο φρένου λακτίσματος αλυσίδας προς τα πίσω, προς την επάνω χειρολαβή, μέχρι τη θέση λειτουργίας.
Το αλυσοπρίονο σταματά να λειτουργεί κατά την εργασία.	<ul style="list-style-type: none"> ■ Η συστοιχία μπαταριών ή η αλυσίδα αλυσοπρίονου είναι υπερβολικά ζεστά. ■ Το αλυσοπρίονο έχει υπερφορτωθεί. ■ Υπάρχουν υπερβολικά πολλά ροκανίδια μέσα στο κανάλι εξερισμού. ■ Η συστοιχία μπαταριών έχει αδειάσει. 	<ul style="list-style-type: none"> ■ Αφήστε τη συστοιχία μπαταριών ή την αλυσίδα να κρυώσει. ■ Μειώστε το φορτίο. ■ Καθαρίστε τη σκόνη, ανατρέχοντας στην ενότητα «ΑΠΟΜΑΚΡΥΝΣΗ ΣΚΟΝΗΣ». ■ Φορτίστε τη συστοιχία μπαταριών
Το φρένο αλυσίδας δεν πιάνει.	<ul style="list-style-type: none"> ■ Βρωμιές εμποδίζουν την πλήρη κίνηση της λαβής φρένου λακτίσματος αλυσίδας ■ Πιθανή δυσλειτουργία του φρένου αλυσίδας 	<ul style="list-style-type: none"> ■ Καθαρίστε τα υπολείμματα από τον εξωτερικό μηχανισμό φρένου αλυσίδας ■ Επικοινωνήστε με την εξυπηρέτηση πελατών της EGO για επισκευή.
Δεν υπάρχει λίπανση κατά την κοπή.	<ul style="list-style-type: none"> ■ Το ρεζερβουάρ λαδιού είναι άδειο. ■ Η έξοδος λαδιού της μπάρας αλυσίδας είναι φραγμένη ■ Στερεοποίηση λαδιού σε χαμηλή θερμοκρασία 	<ul style="list-style-type: none"> ■ Συμπλήρωση λιπαντικού σε μπάρα και αλυσίδα. ■ Καθαρίστε τη σκόνη στην έξοδο λαδιού. ■ Αντικαταστήστε το λιπαντικό λάδι (με κατάλληλο για χαμηλές θερμοκρασίες)
Η ένδειξη χαμηλής στάθμης λαδιού αναβοσβήνει κόκκινη ή προβάλλει κάποιο ασυνήθιστο φως όταν το ρεζερβουάρ λαδιού γεμίζει με λάδι.	<ul style="list-style-type: none"> ■ Εάν η μηχανή χρησιμοποιηθεί υπό συγκεκριμένη γωνία χρήσης, αυτό θα εμποδίσει το λάδι στο ρεζερβουάρ λαδιού να μπει στο σωλήνα λαδιού. ■ Η κατηγορία και το χρώμα του λαδιού δε συνιστώνται. ■ Η ένδειξη χαμηλής στάθμης λαδιού εξακολουθεί να αναβοσβήνει κόκκινη. 	<ul style="list-style-type: none"> ■ Τοποθετήστε το αλυσοπρίονο επίπεδα και δοκιμάστε ξανά. ■ Χρησιμοποιήστε το συνιστώμενο διάφανο κίτρινο, διάφανο κόκκινο ή διάφανο λάδι ■ Επικοινωνήστε με την εξυπηρέτηση πελατών της EGO για επισκευή
Η ένδειξη χαμηλής στάθμης λαδιού δε λειτουργεί όταν υπάρχει έλλειψη λαδιού στο ρεζερβουάρ λαδιού.	<ul style="list-style-type: none"> ■ Η κατηγορία και το χρώμα του λαδιού δεν μπορούν να διαπιστωθούν. ■ Υπάρχει ακόμα μια μικρή ποσότητα λαδιού στο ρεζερβουάρ ή στο σωλήνα λαδιού ■ Η ένδειξη χαμηλής στάθμης λαδιού δε λειτουργεί για τους παραπάνω λόγους. 	<ul style="list-style-type: none"> ■ Χρησιμοποιήστε το συνιστώμενο διάφανο κίτρινο, διάφανο κόκκινο ή διάφανο λάδι ■ Χρησιμοποιήστε το αλυσοπρίονο για λίγο και ελέγξτε εκ νέου την ένδειξη χαμηλής στάθμης λαδιού ■ Επικοινωνήστε με την εξυπηρέτηση πελατών της EGO για επισκευή.

GR

ΕΓΓΥΗΣΗ

ΠΟΛΙΤΙΚΗ ΕΓΓΥΗΣΗΣ EGO

Επισκεφθείτε την ιστοσελίδα egopowerplus.eu για όλους τους όρους και τις προϋποθέσεις της πολιτικής εγγύησης EGO.

TÜM TALIMATLARI OKUYUN!



KULLANIM KILAVUZUNU OKUYUN

GÜVENLİK SEMBOLÜ

Güvenlik sembollerinin amacı olası tehlikelere dikkatinizi çekmektir. Güvenlik sembolleri ve yanlarındaki açıklamalar özel dikkat ve anlayış göstermenizi gerektirir. Uyarı sembolleri kendi başlarına herhangi bir tehlikeyi gidermez. Belirttikleri talimatlar ve uyarılar uygun kaza önleme tedbirlerinin yerine geçmez.

⚠ UYARI: Bu aleti kullanmadan önce, "TEHLİKE", "UYARI" ve "DİKKAT" gibi tüm güvenlik uyarı ve sembollerini içeren bu Kullanım Kılavuzu içerisindeki tüm güvenlik talimatlarını okuyup anladığınızdan emin olun. Aşağıdaki talimatların tamamına uyulmaması elektrik çarpması, yangın ve/veya ciddi yaralanma ile sonuçlanabilir.

SEMBOLÜN ANLAMI

Bu sayfada, bu ürün üzerinde görülebilecek güvenlik sembolleri gösterilmekte ve açıklanmaktadır. Makineyi monte etmeye ve kullanmaya başlamadan önce, makineye ilişkin tüm talimatları okuyup anlayın ve bu talimatlara uyun.

GÜVENLİK SEMBOLLERİ



Güvenlik Uyarısı



Dayanıklı malzemeden yapılmış ağır iş çalışma eldivenleri takın



Kaymayan koruyucu ayakkabı giyin



Geri Tepmeye Dikkat Edin - Pala ucunu herhangi bir nesneye temas ettirmekten kaçının



Pala Ucu Geri Tepmesi - Ucunun temas etmesi palanın aniden yukarı ve aşağı hareket etmesine ve ciddi yaralanmalara neden olabilir.



Bu ürün, yürürlükteki Birleşik Krallık yasalarına uygundur.



Garanti edilen ses gücü seviyesidir.



Bu ürün, yürürlükteki AB yönetmeliklerine uygundur.

IPX5

Su jetlerine karşı koruma



Yaralanma riskini azaltmak için kullanıcı bu ürünü kullanmadan önce kullanım kılavuzunu okuyup anlamalıdır.



Üzerinize oturan kıyafetler giyin. Atkı, kravat veya takı takmayın.



Düzgünce oturan güvenlik gözlüğü, kulak içi kulaklık veya gürültü önleyici kulaklıklar ve miğfer kayışlı güvenlik kasketi kullanın.



İki Elle Tutun - Testereyi daima iki elinizle tutarak kullanın.



Pala hakkında bilgi.



Atık elektrikli ürünler, evsel atıklar ile birlikte bertaraf edilmemelidir. Yetkili bir geri dönüşüm merkezine teslim edilmelidir.

V


Volt



Doğru Akım

TR

TEKNİK ÖZELLİKLER

Voltaaj	56 V 	
Önerilen Çalışma Sıcaklığı:	-15°C-40°C	
Önerilen Depolama Sıcaklığı:	-40°C-70°C	
Optimum Şarj Sıcaklığı	5°C-40°C	
Kesme Uzunluğu	300 mm	
Zincir Hızı	20 m/s	
Zincir Adımı	3/8" (9,5 mm)	
Zincir Ölçüsü	1,1 mm	
Zincir Tipi	AC1200 (Önerilen) AC1400/AC1401 (Uyumlu) AC1600/AC1601 (Uyumlu)	
Pala Tipi	AG1200 (Önerilen) AG1400/AG1401 (Uyumlu) AG1600/AG1601 (Uyumlu)	
Zincir Adımı	9,5 mm (3/8")	
Zincir Ölçüsü	1,1 mm	
Belirtilen tahrik dişlisi sayısı	6	
Zincir Yağı Deposu Kapasitesi	250 ml	
Ağırlık (akü ve zincir kapağı hariç)	3,5 kg	
Ölçülen ses gücü seviyesi L _{WA}	98,8 dB(A) K=3 dB(A)	
Çalışma pozisyonundaki ses gücü seviyesi L _{PA}	88,1 dB(A) K=3 dB(A)	
Garanti edilen ses gücü seviyesi L _{WA} (2000/14/EC uyarınca)	102 dB(A)	
Titreşim a _h	Ön Tutma Kolu	1,73 m/s ² K= 1,5 m/s
	Ana Tutma Kolu	2,21 m/s ² K= 1,5 m/s

TR

- Beyan edilen toplam titreşim değeri standart bir test yöntemine göre ölçülmüştür ve bir ürünün diğeri ile karşılaştırmak için kullanılabilir.
- Beyan edilen toplam titreşim değeri, maruz kalma seviyesinin ilk değerlendirmesi için de kullanılabilir.

DİKKAT: Elektrikli aletin fiili kullanımı sırasında oluşan titreşim emisyonu değeri aletin kullanım şekline bağlı olarak beyan edilen değerden farklı olabilir; Aletin kullanıcıyı korumak için fiili kullanım koşullarında eldiven ve kulak koruması takmalıdır.

AÇIKLAMA

ELEKTRİKLİ TESTERENİZİ TANIYIN (Şek. A1)

1. Testere Zinciri
2. Geri Tepme Fren Kolu
3. Kilitleme Dili
4. Ana Tutma Kolu
5. Değişken Hız Tetiği
6. Delik Halka
7. Akü Göstergesi
8. Düşük Yağ Göstergesi
9. Ön Tutma Kolu
10. Yağ Deposu Kapağı
11. Pala
12. Yağlama Deliği
13. Zincir Dişlisi
14. Germe Vidası
15. Açma-Kapatma Güvenlik Anahtarı
16. Pala Cıvatası
17. Pala Somunu
18. Yan Kapak Aksaması
19. Yağ Akışı Ayar Vidası Kapağı
20. Toz Alma Kapağı
21. Çıkarma Mekanizması
22. Elektrik Kontakları
23. Akü Çıkarma Düğmesi
24. Kemer Kancası
25. Kemer Tokası
26. Kayış
27. Güç Kabloşu Kayışı
28. Halka 1
29. Testere Kancası
30. Fiş
31. Halka 2
32. Zincir Kapağı
33. Çok Amaçlı Anahtar

AMBALAJ İÇERİĞİ (ŞEK. A1)

MONTAJ


PALA VE ZİNCİRİN MONTAJI/SÖKÜLMESİ

⚠ UYARI: Ürünü monte etmeden veya bakım yapmadan önce her zaman fişini çekin ve koruyucu eldiven takın.

⚠ UYARI: Bu elektrikli alet ile birlikte verilen tüm güvenlik uyarılarını, talimatları, çizimleri ve teknik özellikleri okuyun. Aşağıdaki talimatların tamamına uyulmaması elektrik çarpması, yangın ve/veya ciddi yaralanma ile sonuçlanabilir.

⚠ UYARI: Bu kılavuzda listelenen palayı ve testere zincirini sipariş ettiğinizden emin olun. Aksi halde ciddi yaralanmalar meydana gelebilir.

Tüm uyarı ve talimatları gelecekte başvuru amacıyla muhafaza edin.

1. Geri tepme fren kolunun  konumuna ayarlandığından emin olun.
2. **Yan kapak aksamını (A-18)** çıkarmak için **pala somununu (A-17)** saat yönünün tersine çevirin.
3. Testere zincirini halka halinde düz bir yüzey üzerine yerleştirin ve kıvrılmış yerleri düzeltin. (Şek. B1)
4. **Tahrik bağlantılarını (B-1)** pala üzerindeki **yivlere (B-2)** yerleştirin ve zinciri palanın arkasında bir halka haline getirin. (Şek. B2)
5. Zinciri pala üzerindeki konumunda tutun ve halkayı güç başlığındaki **zincir dişlisinin (B-3)** etrafına yerleştirin, ardından aşağıdakileri kontrol edin (Şek. B3):
 - a) Zincir tahrik bağlantıları, **zincir dişlisinin (B-3)** dişlerine oturmalıdır.
 - b) **Germe vidası (B-4)** ve **pala civatası (B-5)** paladaki yuvalarına takılmış olmalıdır. **Germe pimi (B-6)** paladaki deliğe geçmiş olmalıdır.

DİKKAT: Testere zinciri dişlerindeki okların yönünün her zaman ileriye baktığından emin olun (Şek. B3).

6. Zincirin zorlanma olmadan düzgün bir şekilde takıldığından emin olmak için "TESTERE ZİNCİRİNİ GERME" bölümüne bakın.
7. Yan kapak aksamındaki iki **kılavuz çubuğunu (B-7)** testeredeki ilgili **deliklere (B-8)** hizalayın ve ardından yan kapak aksamını takın. (Şek. B4)
8. Pala somununu sıkın.

B-1	Tahrik Bağlantıları	B-5	Pala Civatası
B-2	Yiv	B-6	Germe Pimi
B-3	Zincir Dişlisi	B-7	Kılavuz Çubuklar
B-4	Germe Vidası	B-8	Delikler

DİKKAT: Palanın değiştirilmesi gerekirse yan kapak aksamını sökün ve Şek. C'de gösterildiği gibi yeni pala ile birlikte tekrar monte edin.

ÇALIŞTIRMA

Her kullanımdan önce hasar, eksiklik veya vida, somun, civata gibi parçalarda gevşeklik olup olmadığını görmek için ürünün tamamını kontrol edin. Tüm bağlantı parçalarını ve kapakları güvenli bir şekilde sıkın ve tüm eksik veya hasarlı parçaları

değiştirilene kadar bu ürünü çalıştırmayın.

⚠ UYARI: Bazı ulusal düzenlemeler makinenin kullanımını kısıtlayabilir.

⚠ UYARI: Yorgun, hasta veya alkol ya da başka ilaçların etkisi altındayken lütfen makineyi çalıştırmayın.

NOT: Geri tepme gibi makinenin kontrolden çıkması halinde lütfen gücü hemen kapatın.

UYGULAMA

Ürün yağmurda kullanılabilir.

- Bu elektrikli testere özellikle ağaçların budanması ve bakımı için tasarlanmıştır.



Bu testere sadece ağaç bakımı konusunda özel eğitim almış kişiler tarafından kullanılmalıdır.

DİKKAT: Testereyi ilk kez kullanacakların en azından bir testere tezgahı veya kızıya üzerinde kütük kesme alıştırmaları yapması önerilir.

TESTERE ZİNCİRİNİN GERDİRİLMESİ

⚠ UYARI: Motor çalışırken asla zincire dokunmayın veya zinciri ayarlamayın. Testere zinciri çok keskindir; zincir üzerinde herhangi bir bakım işlemi yaparken daima koruyucu eldiven takın.

Normal testere çalışması sırasında testere zinciri genişler ve daralır. Sonuç olarak zincir gerginliği değişir. Çalışma sırasında zincir gerginliğini düzenli olarak kontrol edin ve gerekirse tekrar ayarlayın.

1. Elektrikli testereyi kapatın, zincir frenini devreye alın ve fişini çekin.
2. Pala somununu gevşetin böylece yapılacak ayarlama için pala serbestçe dönebilir.
3. Pala ucunu yukarı tutun ve aşağıdakileri sağlayacak şekilde germe vidasını ayarlayın:
 - a) Palanın ortasındaki zincir sarkması yaklaşık 1 - 2 mm olmalıdır (Şek. D).
 - b) Zincir frenini bırakın, zinciri iki parmağınızla paladan çekebilirsiniz.

DİKKAT: Yaralanmamak için bu adımı dikkatli bir şekilde gerçekleştirin. Geleneksel benzinle çalışan motorlu testerele karşılaştırıldığında buradaki DC motor manyetik parçalar içerdiği için testere zincirini iki parmağınızla oynattığınızda belirli bir miktar direnç hissedebilirsiniz. Bu işlem, benzinli testere ile yaptığınız kadar kolay değildir.

1. Pala ucunu yukarı tutun ve pala somununu sıkın.

DİKKAT: Palanın ortasındaki zincir sarkması 1-2 mm

TR

değiştirilirse zincir gerginliğini yeniden ayarlayın.

YAĞ DEPOSUNUN DOLDURULMASI

1. Aküyü testereden ayırın.
2. Yağ deposu kapağı yukarı bakacak şekilde elektrikli testereyi sağlam ve düz bir yüzeye yan tarafı üstüne yerleştirin. Yağ deposu kapağını açın. Kapak çok sıkıysa gevşetmek için ürünle birlikte verilen çok amaçlı anahtar kullanın (Şek. E).
3. Yağı, yağ deposuna dikkatlice dökün. Doldurma ağzının altına kadar doldurun. Taşan yağı silin ve kapağı kapatın.

DİKKAT:

- Satın alındığında elektrikli testerede yağ bulunmaz. Kullanmadan önce deponun yağ ile doldurulması gerekir. Çalışma sırasında zincir otomatik olarak zincir yağı ile yağlanır.
- Düşük sürtünme ve hızlı kesim sağlamak üzere özel olarak tasarlanmıştır.
- Pala ve zincir üzerinde kullanmak için özel olarak tasarlanmamış yağları veya diğer sıvıları asla kullanmayın. Aksi halde yağ sistemi tıkanabilir ve bu da pala ve zincirin erken aşınmasına neden olabilir.

YAĞ AKIŞININ AYARLANMASI (Şek. F)

- Bu testerede, aletin altında yer alan bir **Yağ Akışı Ayarlama Vidası (F-1)** vardır. Bu vida zinciri, palayı ve kesme sistemini yağlamak üzere yağ akışının ayarlanmasında kullanılır. Yağ akışı, gövde üzerinde işaretlendiği gibi okların yönünde artırılır veya azaltılır.

ELEKTRİKLİ TESTEREDEKİ LED GÖSTERGELER

Elektrikli testere, yağ durumunu ve akünün şarj seviyesini gösteren 2 adet LED gösterge ile donatılmıştır.

LED gösterge	Anlamı	Eylem
Düşük yağ göstergesi (A-8)	Yanıp sönen kırmızı	Yağı eksik
	Kapalı	Yağı var
Akü göstergesi (A-7)	Parlak yeşil	Aküde güç var
	Yanıp sönen yeşil	Akü bitmek üzere ve bir an önce şarj edilmelidir.

AKÜ KILIFININ TIRMANMA EMNİYET KEMERİNE TAKILMASI

Bu elektrikli testere ile birlikte bir akü kılıfı verilir. Kılıf, aküyü taşımak için kullanılır ve tırmanma emniyet kemere (ürünle birlikte verilmeyen) takılabilir.

DİKKAT: Tırmanma emniyet kemeri takmadan önce akü kılıfını emniyet kemere sıkıca bağlayın.

⚠ UYARI: Acil durumların oluşmasını önlemek için hızlı çıkarma işlevine sahip tırmanma emniyet kemeri hazırlanması gerekir.

1. Bu akü kılıfını tırmanma emniyet kemere asmak için uygun bir nokta bulun ve kemer **kancasını (G-1)** kullanarak akü kılıfını emniyet kemere takın. (Şek. G1)
2. Akü kılıfını yerine sabitlemek için kemeri tırmanma emniyet kemeri etrafına sarın (Şek. G2 ve G3).
3. Güç kablosu güvenlik kayışındaki iki **halkayı (G-2)** iki karabina (ürünle birlikte verilmeyen) kullanarak Şek. G4'te gösterildiği gibi tırmanma emniyet kemere takın.

G-1	Kemer Kancası	G-2	Halkalar
-----	---------------	-----	----------

DİKKAT:

- Ağaca tırmanırken güç kablosu güvenlik kayışındaki 1. ve 2. halkaları, karabinalar (ürünle birlikte verilmeyen) kullanarak tırmanma emniyet kemere takın (Şek. G5).
- Alet kullanılırken 2. halkayı tırmanma emniyet kemeri üzerinden çıkarın ve kesim yapmak için testereyi iki elinizle tutun (Şek. G6).

TESTERENİN AKÜ KILIFINA SABİTLENMESİ

Güç kablosu güvenlik kayışının **testere kancasını (H-2)**, **delik halkaya (H-1)** takın. (Şek. H)

H-1	Delik halka	H-2	Testere kancası
-----	-------------	-----	-----------------

AKÜNÜN TAKILMASI/ÇIKARILMASI

DİKKAT: İlk kullanımdan önce aküyü tamamen şarj edin.

Takmak için (Şek. I1)

Akü üzerindeki çıkıntıları montaj yuvalarına hizalayıp ardından aküyü yerine oturana kadar akü kılıfının içine kaydırın.


Çıkarmak için (Şek. I2)

Aküyü çıkarmak için başparmağınızla akü çıkarma düğmesine basın.

ELEKTRİKLİ TESTERENİN ÇALIŞTIRILMASI/ DURDURULMASI

Çalıştırmak için

1. **Fişteki (J-2)** ve testerenin **elektrik soketindeki (J-1)** "▲" işaretlerini hizalayıp ardından fiş üzerindeki **YEŞİL** yalıtım soket içinde **TAMAMEN** kaybolana kadar fişi testeredeki sokete takın (Şek. J1).
2. "AÇMA/KAPATMA" düğmesine basarak "AÇIK" (ON) konuma getirin (Şek. J2).


3. Geri tepme fren kolunu ana tutma koluna doğru çekerek  konumuna getirin.
4. **Kilitleme dilini (J-3)** ileri doğru itin ve ardından **değişken hız tetiğine (J-4)** basın. Değişken hız tetiğini ne kadar çok çekerseniz testere zincirinin dönme hızı o kadar artar (Şek. J3).

J-1	Elektrik Soketi	J-3	Kilitleme Dili
J-2	Fiş	J-4	Değişken Hız Tetiği

Durdurmak için

1. Elektrikli testereyi durdurmak için değişken hız tetiğini serbest bırakın.

DİKKAT: Değişken hız tetiği bırakıldıktan sonra testere zinciri kısa bir süre daha dönmeye devam eder. Değişken hız tetiğini bıraktıktan sonra ve elektrikli testereyi bir yere koyarken zincire temas etmemeye dikkat edin.

2. Geri tepme fren kolunu ileri doğru iterek  konumuna getirin.
3. "AÇMA/KAPATMA" düğmesini "KAPALI" (OFF) konuma getirin.

UYARI: Mola verdiğinizde ve işi bitirdikten sonra daima testerenin fişini çekin.

KESMEYE HAZIRLIK

Tutma Kollarını Doğru Tutuş Şekli (Şek. K)

- Maksimum düzeyde tutuş ve koruma için kaymayan eldiven takın.
- Her zaman ön tutma kolunu sol elinizle ve ana tutma kolunu sağ elinizle tutun.
- Baş parmağınızı ön tutma kolunun alt kısmına getirip parmaklarınızla tutma kolunu sıkıca kavramalısınız.

UYARI: Asla sol elinizle (çapraz tutuş) tutmayın veya vücudunuzu ya da kolunuzu zincir hattına sokacak bir şekilde durmayın.

UYARI: Tetiği sol elinizle çalıştırmayın ve ön tutma kolunu sağ elinizle tutmayın. Elektrikli testereyi kullanırken asla vücudunuzun hiçbir bölümünü zincir hattına sokmayın (Şek. L).

ZİNCİR YAĞLAMASININ KONTROLÜ (Şek. M)

DİKKAT: Elektrikli testerenin yağ deposunun uygun miktarda zincir yağı ile dolu olduğundan emin olun.

1. Palayı açık renkli bir yüzeyin üzerinde tutun.
2. Testereyi çalıştırın. Zincirin yağlanması düzgün bir şekilde gerçekleşirse 1 dakika sonra açık renkli yüzeyde temiz bir yağ çizgisi görürsünüz.

3. Açık renkli yüzey üzerinde zincir yağını hala göremiyorsanız ayarlamak için "YAĞ AKIŞININ AYARLANMASI" bölümüne bakın

AĞAÇTA ÇALIŞMA

UYARI: çalışırken veya tırmanırken sallanma veya kesme kazası olmasını önlemek için ayak dayama yeri veya ayarlanabilir lanyard gibi ek destek kullanılması önerilir.

Testereyi kullanmadan önce lütfen aşağıdaki hususları kontrol edin:

- **Zincir dişlisi (N-1)** üzerindeki aşınma işaretlerini kontrol edin, aşınma işaretleri 0,5 mm'den daha derinse zincir dişlisini değiştirmek için EGO servisi ile iletişime geçin.
- Fren sistemini de kontrol edin, **fren balatası (N-2)** üzerindeki aşınma işaretleri düzgün değilse EGO servisi ile iletişime geçerek fren balatasını mutlaka değiştirin. (Şek. N)

N-1	Zincir Dişlisi	N-2	Fren Balatası
-----	----------------	-----	---------------

- Palanın kontrolü için ilgili bölüme bakın:

PALANIN BAKIMI

- Testere zincirinin kontrolü için ilgili bölüme bakın: **ZİNCİR BAKIMI**
- Zincir freninin kontrolü için ilgili bölüme bakın: **BU ELEKTRİKLİ TESTEREDEKİ GERİ TEPME GÜVENLİĞİ**

AYGITLARI

- Kontrol etmek için ilgili bölüme bakın: **ELEKTRİKLİ TESTERENİN ÇALIŞTIRILMASI/ DURDURULMASI**
- Zincir yağlaması kontrolü için ilgili bölüme bakın: **ZİNCİR YAĞLAMASININ KONTROLÜ**

BAKIM

TEMİZLİK

- Her kullanımdan sonra yumuşak bir fırça ile zincir ve paladaki talaşları temizleyin. Elektrikli testerenin yüzeyini, hafif sabunlu bir solüsyonla nemlendirilmiş temiz bir bezle silin.
- Derin temizlik için yan kapak aksamını çıkarın, palayı ve testere zincirini sökün ve daha sonra pala, testere zinciri ve elektrikli testerenin güç başlığındaki tahrik dişlisi üzerindeki talaşları iyice temizlemek için yumuşak bir fırça kullanın.
- Testere zincirini değiştirirken daima pala yivlerindeki ahşap talaşları, tozu ve kirleri temizleyin.

TOZ GİDERME

1. Fişi çekin, testerenin soğumasını bekleyin ve yağ

- deposunun kapağını sıkın.
2. Testere frenini devreye alın
 3. **Toz alma kapağının (O-1)** vidasını gevşetmek için çok amaçlı anahtar (ürünle birlikte verilir) kullanın (Şek. O1).
 4. **Hava girişinin (O-2)** karşı tarafından basınçlı kuru hava uygulayarak soğutma kanadında biriken talaş ve kıymık parçalarını temizleyin. (Şek. O2).

O-1	Toz Alma Kapağı	O-2	Hava Girişi
-----	-----------------	-----	-------------

PALANIN BAKIMI

Aşınma belirtileri gösterdiğinde palayı elektrikli testerenin güç başlığından söküp ve ters çevirip yeniden monte edin (Şek. P1), böylece aşınma her yere dağıtılarak maksimum pala ömrü sağlanır.

Kullanıldığı her gün pala (**pala rayları (P-1)** ve **yağlama deliği (P-2)** dahil) temizlenmeli, aşınma ve hasar olup olmadığı kontrol edilmelidir (Şek. P2). Pala raylarında tüylenme veya çapaklanma oluşması, palanın aşınma sürecinde normaldir. Bu tür bozulmalar oluşur oluşmaz bir eğe ile düzeltilmelidir. Aşağıdaki bozukluklardan herhangi biri bulunan pala değiştirilmelidir.

Pala raylarının içinde, zincirin yanlara doğru kaymasına neden olan aşınma.

- Eğik pala.
- Çatlak veya kırık raylar.
- Ayrık raylar.

Palanın ucunda bir zincir dişlisi bulunmaktadır. Palanın ömrünü uzatmak için bir yağ enjektörüyle zincir dişlisinin her hafta yağlanması gerekir (Şek. P3 ve P4). Tüm zincir dişlisi yeni yağla yağlanana kadar **yarı saydam sarı, yarı saydam kırmızı veya yarı saydam yağı yağlama deliğine (P-4)** pompalarken **uçtaki zincir dişlisini (P-3)** döndürün. Deliğe pislik sokmayın.

TR

P-1	Pala rayları	P-3	Zincir Dişlisi
P-2	Yağlama Deliği	P-4	Yağlama Deliği

ZİNCİR BAKIMI

Bu testerede sadece düşük geri tepmeli zincirleri kullanın. Doğru şekilde bakım yapılırsa hızlı kesim zinciri geri tepmeyi azaltır.

Düzenli bilinenmiş bir testere zinciri, çok az basınçla dahi ahşabı kolayca kesebilir. Asla körelmiş veya hasarlı bir testere zincirini kullanmayın. Kör bir testere zincirinin kesici ucu fiziksel gerilimi, titreşim yükünü artırır, başarısız kesim sonuçlarına yol açar ve aşınmayı çoğaltır.

Sorunsuz ve hızlı bir kesim için zincir bakımı doğru şekilde

yapılmalıdır. Ahşap talaşları küçük ve tozlu ise zincirin bilenmesi gerekir. Kesim sırasında zincir ahşabın içinden geçirilmelidir, aksi halde zincir tek taraftan kesim yapar. Zincirin bakımı sırasında, aşağıdaki hususlara dikkat edilmelidir:

- Yan plakanın hatalı açıyla eğelenmesi ciddi geri tepme riskini artırabilir.
- Derinlik ölçüğü aralığı. Çok alçak olması geri tepme potansiyelini artırır. Yeterince alçak olmaması kesim becerisini azaltır.
- Kesici dişler çivi ve taş gibi sert cisimlere çarpmışsa veya ahşap üzerindeki çamur veya kum nedeniyle aşınmışsa zincirin yetkili bir servis teknisyeni tarafından bilenmesini sağlayın.

DİKKAT: testere zincirinin bilenme ve bakım işlerinin yetkili servis merkezlerinde gerçekleştirilmesi önerilir.

TAŞIMA VE DEPOLAMA

- Elektrikli testereyi çalışır durumdayken depolamayın veya taşımayın. Depolamadan veya taşımadan önce daima fişini çekin.
- Elektrikli testereyi taşımadan veya depolamadan önce daima pala ve zincirin üzerine pala kapağını takın. Zincirin keskin dişlerine karşı dikkatli olun.
- Elektrikli testereyi depolamadan önce tamamen temizleyin. Elektrikli testereyi kilitli ve/veya çocukların ulaşamayacağı, kapalı ve kuru bir yerde depolayın.
- Bahçe kimyasalları ve eritici tuzlar gibi aşındırıcı maddelerden uzak tutun.

Çevre koruması



WEEE (Atık Elektrikli ve Elektronik Cihazlar) Elektrikli cihazları, kullanılmış aküyü ve şarj cihazını evsel atıklarla bertaraf etmeyin! Bu ürünü yetkili bir geri dönüşüm merkezine götürün ve ayrı bir şekilde toplanmasını sağlayın. Elektrikli aletler çevreyle uyumlu bir geri dönüşüm tesisine götürülmelidir.

SORUN GİDERME

SORUN	NEDENİ	ÇÖZÜM
Motor çalışmıyor.	<ul style="list-style-type: none"> Akü kılıfının fişi elektrikli testereye takılı değildir. Akü kılıfı ile akü arasında elektrik bağlantısı yoktur. Kilitleme dili katlanmamıştır. “AÇMA-KAPAMA” anahtarı “KAPALI” (OFF) konumundadır. Zincir freni devrededir. 	<ul style="list-style-type: none"> Akü kılıfının fişini elektrikli testereye takın. Aküyü çıkarın, kutup noktalarını kontrol edin ve aküyü yeniden takın. Çalıştırmadan önce kilitleme dilini kapatın. “AÇMA-KAPATMA” düğmesini “AÇIK” (ON) konumuna getirin. Zincir geri tepme fren kolunu üst tutma koluna doğru geri çekerek çalışma konumuna getirin.
Elektrikli testere çalışma esnasında duruyor.	<ul style="list-style-type: none"> Akü veya elektrikli testere çok sıcaktır. Elektrikli testere aşırı yükliüdür. Çok fazla tahta parçası havalandırma kanalını tıkanmıştır. Akü boşalmıştır. 	<ul style="list-style-type: none"> Aküyü veya elektrikli testereyi soğutun. Yükü azaltın. “TOZ GİDERME” bölümüne bakarak tozu temizleyin. Aküyü şarj edin.
Zincir freni devreye girmiyor.	<ul style="list-style-type: none"> Zincir geri tepme fren kolunun tam hareketi talaş artıkları tarafından engelliyor. Muhtemel zincir freni arızası vardır. 	<ul style="list-style-type: none"> Dış zincir freni mekanizmasındaki talaş artıklarını temizleyin. Tamir için EGO Müşteri Hizmetleri ile irtibata geçin.
Kesme sırasında yağlama olmuyor.	<ul style="list-style-type: none"> Zincir yağı deposu boştur. Zincirin yağ çıkışı tıkanmıştır. Düşük sıcaklıkta yağ katılaşması vardır. 	<ul style="list-style-type: none"> Pala ve zincir yağını doldurun. Yağ çıkışındaki tozu temizleyin. Uygun yağlama yağı (düşük sıcaklıklar için uygun) ile değiştirin.
Yağ deposu yağla doluyken düşük yağ göstergesi kırmızı renkte yanıp sönüyor veya anormal ışık gösteriyor.	<ul style="list-style-type: none"> Makinenin özel bir açıda kullanılması yağ deposundaki yağı, yağ borusuna girmemesine neden oluyordur. Yağ kategorisi ve rengi önerilen türde değildir. Düşük yağ göstergesi kırmızı renkte yanıp sönmeye devam ediyordur. 	<ul style="list-style-type: none"> Elektrikli testereyi düz tutun ve yeniden deneyin. Önerilen yarı saydam sarı, yarı saydam kırmızı veya yarı saydam yağı kullanın. Tamir için EGO Müşteri Hizmetleri ile irtibata geçin.
Yağ deposunda yağ azaldığında düşük yağ göstergesi çalışmıyor.	<ul style="list-style-type: none"> Yağın kategorisi ve rengi tanımlanamamıştır. Yağ deposunda veya yağ borusunda küçük miktarda yağ kalmıştır. Düşük yağ göstergesi yukarıdaki nedenlerle hala çalışmıyor. 	<ul style="list-style-type: none"> Önerilen yarı saydam sarı, yarı saydam kırmızı veya yarı saydam yağı kullanın. Elektrikli testereyi bir süre kullanın ve ardından düşük yağ göstergesini tekrar gözlemleyin. Tamir için EGO Müşteri Hizmetleri ile irtibata geçin.

TR

GARANTİ

EGO GARANTİ POLİTİKASI

EGO Garanti Politikasına ilişkin tüm hükümler ve koşullar için lütfen egopowerplus.eu adresindeki web sitemizi ziyaret edin.

LUGEGE KÕIKI JUHISEID!



LUGEGE KASUTUSJUHENDIT

OHUTUSSÜMBOL

Ohutussümbolite eesmärk on pöörata tähelepanu võimalikele ohtudele. Ohutussümbolitele ja nende juures olevatele seletustele tuleb korralikult tähelepanu pöörata ja need endale selgeks teha. Ohutussümbolid iseenesest ei kõrvalda ohtu. Nendega kaasnevad juhendid ja hoiatused ei asenda asjakohaseid õnnetuste ennetamise meetmeid.

⚠ HOIATUS: Enne käesoleva seadme kasutamist lugege kindlasti läbi ja tehke endale selgeks kõik kasutusjuhendis toodud ohutusjuhised, sh kõik ohutussümbolid nagu „OHT,” „HOIATUS,” ja „ETTEVAATUST”. Kui allpool loetletud juhiseid ei järgita, võib tagajärjeks olla elektrilöökk, tulekahju ja/või tõsised isikuvigastused.

SÜMBOLITE TÄHENDUSED

Sel lehel on kujutatud ja kirjeldatud ohutussümbolite, mida võib käesolevalt tootelt leida. Enne seadme kokkupanemist ja kasutamist lugege, tehke omale selgeks ja järgige kõiki juhiseid.

OHUTUSSÜMBOLID



Ohutusteade



Kandke vastupidavat materjalist töökindaid



Kandke libisemiskindlaid turvajalanõusid



Arvestage tagasilöögiga- Vältige juhtlatti tipu kokkupuudet teiste objektidega.



Juhtlatti tipu tagasilöökk- Tipu kokkupuutel teiste objektidega võib juhtlatti järsult üles ja tahapoole liikuda ning raskeid vigastusi põhjustada.



See toode vastab asjakohastele UK seadustele.



Garanteeritud helivõimsuse tase.



Toode vastab rakendatavatele EÜ direktiividele.

IPX5

Kaitse veejuga eest



Vigastuste ohu vähendamiseks peab kasutaja enne toote kasutamist lugema kasutusjuhendit ja selle endale selgeks tegema.



Kandke ümber keha hoidvaid riideid. Ärge kandke salli, lipsu ega ehteid



Kandke hästiistuvaid kaitseprille, kõrvatroppe või -klappe ning löuarihmaga kiivrit



Kahe käe haare- Mootorsaega töötades kasutage alati kaht kätt.



Teave juhtlatti kohta.



Elektriseadmete jäätmeid ei tohi visata olmejäätmete hulka. Viige volitatud taaskäitleja juurde.



V Volti



Alalisvool

ET

SPETSIFIKATSIOONID

Pinge	56 V	
Soovituslik töökeskkonna temperatuur:	-15°C-40°C	
Soovituslik hoiustamise temperatuur:	-40°C-70°C	
Optimaalne laadimistemperatuur	5°C-40°C	
Lõikepikkus	300 mm	
Saeketi kiirus	20 m/s	
Ketisamm	3/8" (9,5 mm)	
Keti mõõdik	1,1 mm	
Saeketi tüüp	AC1200 (Soovitatud) AC1400/AC1401 (ühilduv) AC1600/AC1601 (ühilduv)	
Juhtlatti tüüp	AG1200 (Soovitatud) AG1400/AG1401 (ühilduv) AG1600/AG1601 (ühilduv)	
Ketisamm	3/8" (9,5 mm)	
Keti mõõdik	1,1 mm	
Ketiratta hammaste määratud arv	6	
Ketiõlipaagi mahutavus	250 ml	
Mass (ilma akuploki ja keti kaitseta)	3,5 kg	
Möödetud helivõimsuse tase L_{WA}	98,8 dB(A) K=3 dB(A)	
Helirõhk seadme tööasendis L_{PA}	88,1 dB(A) K=3 dB(A)	
Garanteeritud helirõhk L_{WA} (2000/14/EC kohaselt)	102 dB(A)	
Vibratsioon a_h	Eesmine käepide	1,73 m/s ² K= 1,5 m/s
	Põhikäepide	2,21 m/s ² K= 1,5 m/s

- Esitatud vibratsioonitaseme näit on möödetud standardsete testmeetodite kohaselt ja seda võidakse kasutada erinevate tööriistade võrdlemiseks.

- Esitatud vibratsioonitaseme näitu võib kasutada ka algse kokkupuutehinnangu andmiseks.

MÄRKUS! Tegelikul kasutamisel tekkiv vibratsioonitase võib esitatust erineda; turvalisuse eesmärgil peaks seadme kasutaja tegelikes kasutustingimustes kandma kindaid ja kuulmiskaitseid.

KIRJELDUS

TUNNE OMA KETTSAAGI (joon. A1)

1. Saekett
2. Tagasilöögiduri hooob
3. Lukustuskeel
4. Põhikäepide
5. Kiiruse reguleerimise päästik
6. Auguke
7. Aku täituvuse märgutuli
8. Madala õlitaseme märgutuli
9. Eesmine käepide
10. Õlimahuti kork
11. Juhtlatti
12. Määrdeava
13. Ketiratas
14. Pingutuskruvi
15. Toitelüliti (On-Off)
16. Juhtpolt
17. Lati mutter
18. Küljekatte moodul
19. Õlioolu reguleerimise kruvi kate
20. Tolmueemaldussüsteemi kate
21. Väljutusmehhanism
22. Klemmid
23. Akuvabastusnupp
24. Rihma konks
25. Vööklamber
26. Rihm
27. Turvarihm
28. Rõngas 1
29. Sae konks
30. Pistik
31. Rõngas 2
32. Keti kaitse
33. Kombivõti

ET

PAKENDI LOEND (JOON. A1)

KOKKUPANEK


LATI JA KETI KOKKUPANEK/LAHTIVÕTMINE

⚠ HOIATUS! Enne toote kokkupanekut või hooldamist eemaldage alati pistik vooluvõrgust ja kandke kaitsekindaid.

⚠ HOIATUS! Lugege läbi kõik elektritööriistaga kaasas olevad hoiatused, juhised, joonised ja andmed. Alltoodud juhiste eiramine võib põhjustada elektrilööki, tulekahju ja/või tõsisid vigastusi.

⚠ HOIATUS! Veenduge, et telliksite siin juhendis märgitud juhtlatti ja saeketi. Selle nõude eiramine võib põhjustada tõsisid vigastusi.

Säilitage hoiatused ja juhised hilisemaks kasutuseks.

1. Kontrollige, et tagasilöökipiduri hoob on seatud  asendisse
2. Keerake **lati mutter (A-17)** vastupäeva lahti ja eemaldage **küljekatte moodul (A-18)**.
3. Seadke saekett siledal pinnal silmuseks ja tõmmake väänded jms sirgeks. (joon. B1)
4. Asetage **keti veolülid (B-1)** juhtlatti **soone (B-2)** sisse ja tehke juhtlatti tagaosas ketist silmus. (joon. B2)
5. Hoidke ketti juhtlattel ja asetage silmus ümber tööriistapea **ketiratta (B-3)** ning kontrollige järgnevat (joon. B3).

Keti veolülid asuvad **ketiratta (B-3)** hammastel.

Pingutuskruvi (B-4) ja **juhtpolt (B-5)** asuvad juhtlatti avas. **Ketipinguti tihvt (B-6)** asub juhtlatti avas.

MÄRKUS! Kontrollige, et saeketi hammastel olevad nooled on alati ettepoole suunatud (joon. B3).

6. Lugege jaotist „SAEKETI PINGUTAMINE“ ja kontrollige, et kett on korrektselt kokku pandud, et see kinni ei kiiluks.
7. Joondage küljekatte mooduli kaks **juhtvarrast (B-7)** sae vastavate **avadega (B-8)** ja seejärel paigaldage küljekatte moodul. (joon. B4)
8. Keerake lati mutter tugevamalt kinni.

B-1	Veolülid	B-5	Juhtpolt
B-2	Soon	B-6	Ketipinguti tihvt
B-3	Ketiratas	B-7	Juhtvardad
B-4	Pingutuskruvi	B-8	Avad

JMÄRKUS! Kui juhtlatti on vaja välja vahetada, siis võtke küljekatte moodul lahti ja pange see uue juhtlatti uuesti kokku, nagu on näidatud joon. C.

SEADME KASUTAMINE

Kontrollige enne iga kasutuskorda, et tootel ei oleks ühtegi kahjustatud, kadunud ega lahtist osa, nagu kruvid, mutrid, poldid jne. Pingutage kõiki kinniteid ja sulgureid ning ärge kasutage seda toodet, kuni kõik kahjustatud või kadunud

osad on asendatud.

⚠ HOIATUS! Mõned riiklikud eeskirjad võivad seadme kasutamist piirata.

⚠ HOIATUS! Ärge kasutage seadet, kui olete väsinud, haige või alkoholi või muude uimastavate ainete mõju all.

MÄRKUS! Kui seade pole kontrollitav, näiteks esineb sellel tagasilöök, lülitage selle toide kohe välja.

RAKENDUSALAD

Toodet võib kasutada vihmas.

- See kettsaag on mõeldud konkreetselt puude hoolduseks puude otsas.



Saagi tohivad kasutada vaid isikud, kes on läbinud spetsiaalse puude hooldamise koolituse.

MÄRKUS! Soovitame, et esmakordne kasutaja peaks harjutama vähemalt palkide lõikamist saagimispukil või samasel tugiraamil.

SAEKETI PINGUTAMINE

⚠ HOIATUS! Ärge puudutage ega reguleerige ketti, kui mootor töötab. Saekett on väga terav; kandke ketihooldustöid tehes alati kaitsekindaid.

Sae tavapärasel kasutamisel saekett paisub või tõmbub kokku. Selle tulemusel muutub ka keti pinge. Kasutamise ajal kontrollige keti pinget regulaarselt ja vajadusel reguleerige seda.

1. Lülitage kettsaag välja, rakendage ketipidur ja eemaldage seade vooluvõrgust.
2. Keerake lati mutrit lahti nii, et juhtlatt saab edasise reguleerimise ajal vabalt liikuda.
3. Suunake juhtlatti tipp üles ja reguleerige pingutuskruvi, kuni järgnevad punktid on täidetud.
 - a) Keti lõtk juhtlatti keskosas on umbes 1-2 mm (joon. D).
 - b) Vabastage ketipidur ja kontrollige, et ketti saab kahe sõrme abil juhtlatti pidi liigutada.

MÄRKUS! Isikuvigastuste vältimiseks olge sellel sammul hoolikas ja ettevaatlik. Kuna see alalisvoolumootor sisaldab magnetilist materjali, siis võrreldes tavapärase bensiinimootoriga saaga tunnete kahe sõrmega saeketti liigutades veidi rohkem takistust. See liikumine ei ole nii sujuv kui bensiinimootoriga kettsae puhul.

4. Hoidke juhtlatti tippu üleval ja keerake lati mutter kinni.

MÄRKUS! Kui keti lõtk juhtlatti keskosas ei ole vahemikus 1-2 mm, siis reguleerige keti pinget.

ÖLIPAAGI TÄITMINE

1. Ühendage akuplokk kettsae küljest lahti.

2. Pange kettsaag küllili kindlale tasasele pinnale nii, et õlipaagi kork on suunatud ülespoole. Avage õlipaagi kork. Kui see on liiga kõvasti kinni, kasutage selle vabastamiseks kombivõtme (komplektis) pilupeatsa (joon. E).
3. Valage õli ettevaatlikult õlipaaki. Täitke paak kuni täitekaela alumise osani. Pühkige üleliigne õli ära ja sulgege õlipaak.

MÄRKUS!

- Ostetud saag ei ole algselt õliga täidetud. Enne esmakasutust tuleb õlipaak kindlasti täita. Ketti õlitatakse töö käigus ketiõliga automaatselt.
- See on loodud eesmärgiga vähendada hõõrdumist ja võimaldada kiiremat lõikamist.
- Ärge kunagi kasutage õli või teisi määrdeaineid, mis ei ole mõeldud juhtlati ja keti määrimiseks. Vale määrdeaine kasutamine võib tekitada õlisüsteemi ummistuse, mille tagajärjeks on juhtlati ja keti enneaegne kulumine.

ÕLIVOOLU REGULEERIMINE (joon. F)

- Saag on varustatud õlivoolu reguleerimise kruviga (F-1), mis asub tööriista all. Seda kasutatakse keti, juhtlati ja lõikesüsteemi määrimiseks vajaliku õlivoolu reguleerimiseks. Õlivoolu saab suurendada või vähendada vastavalt tööriista korpusele märgitud noolte suunale.

KETSAE LED-MÄRGUTULI

Kettsael on kaks LED-märgutuld, mis näitavad õli taset ja akuplokkide laetuse taset.

LED-märgutuli	Tähendus	Toiming	
Madala õlitaseme märgutuli (A-8)	Vilkuv punane	Õli on vähe	Täitke õlipaak
	Väljas	Õli on olemas	/
Aku täitvuse märgutuli (A-7)	Põlev roheline	Akuplokk on laetud	/
	Vilkuv roheline	Akuplokk hakkab tühjaks saama ja seda tuleb viivitamatult laadida.	Laadige akut

AKUHOIDIKU KINNITAMINE RONIMISRAKMETE KÜLGE

Sellel kettsael on akuhoidik, mida kasutatakse akuploki kandmiseks ja mida on võimalik kinnitada ronimisrakmete külge (ei ole komplektis).

MÄRKUS! Kinnitage akuhoidik kindlalt ronimisrakmete külge enne ronimisrakmete enda külge panemist.

⚠ HOIATUS! Hädaolukordade ennetamiseks tuleb valmistada ette kiirvabastusfunktsiooniga ronimisrakmed.

1. Otsige ronimisrakmetelt akuhoidiku kinnitamiseks sobiv koht ja riputage akuhoidik ronimisrakmete **rihma konksu (G-1)** abil. (joon. G1)
2. Akuhoidiku paika kinnitamiseks tõmmake rihm ümber ronimisrakmete (joon. G2 ja G3).
3. Kinnitage turvarihma kaks **rõngast (G-2)** ronimisrakmete külge kahe karabiiniga (ei ole komplektis), nagu on näidatud joon. G4.

G-1	Rihma konks	G-2	Rõngad
-----	-------------	-----	--------

MÄRKUS!

- Puu otsa ronimisel tuleb kinnitada turvarihma rõngad 1 ja 2 karabiinidega (ei ole komplektis) ronimisrakmete külge (joon. G5).
- Tööriista kasutamiseks eemaldage rõngas 2 ronimisrakmete küljest ja lõigake, hoides saagi kahe käega (joon. G6).

SAE KINNITAMINE AKUHOIDIKU KÜLGE

Kinnitage turvarihma **sae konks (H-2) augukese (H-1)** külge. (joon. H)

H-1	Auguke	H-2	Sae konks
-----	--------	-----	-----------

AKUPLOKI PAIGALDAMINE/EEMALDAMINE

MÄRKUS! Enne esimest kasutuskorda laadige akuplokk täiesti täis.

Paigaldamiseks (joon. I1)

Joondage akuploki sakid paigaldussoontega ja seejärel libistage akuplokk akuhoidikusse nii, et see klõpsatusega kinnitub.

Eemaldamiseks (joon. I2)

Akuploki eemaldamiseks vajutage akuvabastusnuppu pöidlaga.

KETSAE KÄIVITAMINE/SEISKAMINE

Käivitamiseks

1. Joondage "▲" märgised **pistikul (J-2)** kettsae **pistikupesaga (J-1)**, seejärel ühendage pistik kettsaaga nii, et pistiku ROHELINE osa läheb TÄIES ULATUSES pistikupesa sisse (joon. J1).
2. Seadke toitelüliti (On-Off) asendisse „ON“ (joon. J2).
3. Tõmmake tagasilöögiduri hooba põhikäpideme poole tööasendisse.

ET

4. Liigutage **lukustuskeelt (J-3)** ettepoole ja seejärel vajutage **kiiruse reguleerimise päästikut (J-4)**. Mida kaugemale kiiruse reguleerimise päästikut tõmmata, seda suuremaks saeketi kiirus läheb (joon. J3).

J-1	Pistikupesa	J-3	Lukustuskeel
J-2	Pistik	J-4	Kiiruse reguleerimise päästik

Peatamiseks

1. Vabastage kiiruse reguleerimise päästik ja peatage kettsaag.

MÄRKUS! Kiiruse reguleerimise päästiku vabastamise järel liigub saekett veel veidi aega edasi. Ettevaatust! Vältige kokkupuudet saeketiga kiiruse reguleerimise päästiku vabastamise järel ning kettsae maha panemisel.

2. Lükake tagasilöögipiduri hoob ettepoole pidurdusasendisse "☺".

3. Seadke toitelüliti (On-Off) asendisse „OFF“

⚠ HOIATUS! Tööpauside ajal ja pärast töö lõpetamist eemaldage alati pistik kettsae küljest.

ETTEVALMISTUS LÕIKAMISEKS

Korrektne käepidemetest hoidmise viis (joon. K)

- Võimalikult tugeva haarde ja turvalisuse tagamiseks kasutage mittelibisevast materjalist kindaid.
- Hoidke alati vasaku käega eesmisest käepidemest ja parema käega põhikäepidemest.
- Asetage sõrmed ümber käepideme nii, et põial on eesmise käepideme all.

⚠ HOIATUS! Ärge kunagi töötage vasakukäelise haardega (käed risti) ega niisuguse hoiakuga, mille puhul teie keha või käsi jääb saeketi liikumistrajektorile.

⚠ HOIATUS! Ärge vajutage päästikut vasaku käega ega hoidke eesmist käepidet parema käega. Kettsae kasutamisel jälgige, et mitte ükski teie kehaosa ei jääks saeketi liikumistrajektorile (joon. L).

KETI MÄÄRDE KONTROLLIMINE (joon. M)

MÄRKUS! Kontrollige, et kettsae õlipaagis on korrektne kogus ketiõli.

1. Hoidke juhtlati heleda pinna kohal.
2. Lülitage saag sisse. Kui keti määrimine toimib korrektselt, siis ühe minuti pärast peaksite nägema heledal pinnal selget õlijoont.
3. Kui ketiõli ei ole heledal pinnal näha, siis lugege jaotist "ÕLIVOO LU REGULEERIMINE" ja reguleerige õlivoolu.

SEADME KASUTAMINE PUU OTSAS

⚠ HOIATUS! Töötamisel või ronimisel soovime kasutada täiendavat toetust, nt. jaluseid, reguleerivat trossi, mis aitavad ennetada kukkumist või lõikamisega seotud õnnetusi.

Enne seadme kasutamist kontrollige järgnevat.

- Kontrollige **ketiratta (N-1)** kulumismärke. Kui kulumismärgid on suuremad kui 0,5 mm, siis võtke ühendust EGO hoolduskeskusega, kus ketiratas välja vahetatakse.
- Kontrollige ka pidurdussüsteemi. Kui **piduri hõõrdkate (N-2)** on ebaühtlane, siis võtke ühendust EGO hoolduskeskusega, kus piduri hõõrdkate välja vahetatakse. (joon. N)

N-1	Ketiratas	N-2	Piduri hõõrdkate
-----	-----------	-----	------------------

- Kontrollige juhtlati - vt. asjakohast jaotist. **JUHTLATI HOOLDAMINE**
- Kontrollige saeketi - vt. asjakohast jaotist. **KETI HOOLDUS**
- Kontrollige ketipidurit - vt. asjakohast jaotist. **TAGASILÖÖGIGA SEOTUD TURVASEADMED SELLEL**

KETTSAE

- Kontrollige juhtseadiseid - vt. asjakohast jaotist. **KETTSAE KÄIVITAMINE/SEISKAMINE**
- Kontrollige keti määret - vt. asjakohast jaotist. **KETI MÄÄRDE KONTROLLIMINE**

HOOLDUS

PUHASTAMINE

- Pärast iga kasutuskorda puhastage kett ja juhtlat pehme harjaga. Pühkige sae pind puhta, lahja seebilahusega niisutatud lapiga puhtaks.
- Sügavpuhastuse eemaldage küljekatte moodul, juhtlat ja saekett ning seejärel eemaldage pehme harjaga kogu mustus nii juhtlatilt, saeketilt kui kettsae tööriistapeal olevalt ketirattalt.
- Saeketi vahetamisel eemaldage juhtlati soonest alati puidutükid, saepuru ja mustus.

TOLMU EEMALDAMINE

1. Eemaldage pistik vooluvõrgust, laske kettsael jahtuda ja keerake õlipaagi kork tugevamalt kinni.
2. Rakendage sae pidur
3. Kasutage kombivõtit ja keerake lahti

tolmueemaldussüsteemi kate (O-1) krui ning avage see (joon. O1).

- Eemaldage jahutusvõresse kogunenud saepuru ja puidutükid suruõhuga **õhu sissevõtuava (O-2)** teiselt poolelt. (joon. O2).

O-1	Tolmueemaldussüsteemi kate	O-2	Õhu sissevõtuava
-----	----------------------------	-----	------------------

JUHTLATI HOOLDAMINE

Kui juhtlatt on kulunud, eemaldage see kettsae tööriistapea küljest ja pange see teistpidi tagasi (joon. P1) - nii saab kulumist jaotada ja seega lati maksimaalset eluiga ära kasutada.

Juhtlati tuleks igapäevaselt puhastada (kaasa arvatud **leti relse (P-1)** ja **määrdeava (P-2)**) ning pärast puhastamist kontrollida kulumist ja kahjustumist. Lati relsside narmastumine või karestumine on normaalne kulumisprotsess. Sellised vead tuleks ilmnenisel kohe viiliga siluda. Allpool mainitud vigadega latt tuleb välja vahetada.

Lati relsside niisugune kulumine, mille tõttu võib kett küllili minna.

- Paindunud juhtlatt.
- Mõranenud või katkised relsid.
- Laiali vajunud relsid.

Juhtlati tipu juures asub ketiratas. Juhtlati tööea pikendamiseks tuleb ketiratas igal nädalal õlisüstla abil õlitada (joon. P3 ja P4). Keerake **ketiratta ninaosa (P-3)** ja samal ajal pumbake **poolläbipaistvat kollast, poolläbipaistvat punast või poolläbipaistvat määrdeainet määrdeavasse (P-4)** seni, kuni kogu ketiratas on kaetud uue määrdeainega. Ärge mustust avasse lükake.

P-1	Keti relsid	P-3	Ketiratas
P-2	Määrdeava	P-4	Määrdeava

KETI HOOLDUS

Selle saega tohib kasutada ainult nõrga tagasilöögiga kette. Õigesti hooldatud kiire saekett vähendab tagasilööki.

Korralikult teritatud saekett lõikab puitu väheses vaevaga ka siis, kui rakendada väga väikest jõudu. Ärge kasutage nūri või kahjustatud saeketti. Nūri saekett põhjustab suuremat füüsilist pinget, tugevamat vibratsiooni, mitterahuldavaid lõikamistulemusi ja suuremat kulumist.

Sujuvaks ja kiireks lõikamiseks tuleb ketti korralikult hooldada. Kett vajab teritamist, kui saagimise tulemusena tekkiiv saepuru koosneb väikestest ja pulbrilistest tükkidest, ketti peab lõikamise ajal puidust läbi suruma või kett lõikab ühelt küljelt. Keti hooldamise käigus pidage silmas järgnevat.

- Vale nurga all paigaldatud külgplaat võib tekitada tugeva tagasilöögi õhu.
- Räsa (sügavusmõõdiku) kliirens. Liiga väike kliirens suurendab tagasilöögi tõenäosust. Liiga suur kliirens vähendab lõikevõimet.
- Kui lõikehambad puutuvad vastu kõvasid objekte, näiteks vastu naelu või kivisid, või kuluvad puul oleva muda või liivaga kokku puutumise tulemusena, laske kvalifitseeritud hooldustehnikul ketti teritada.

MÄRKUS! Soovitame lasta **saeketti** teritada ja hooldada vaid volitatud hoolduskeskustes.

TRANSPORTIMINE JA HOIUSTAMINE

- Ärge transportige ega hoiustage töötavat kettsaagi. Hoiustamise ja transportimise ajaks eemaldage seade alati vooluvõrgust.
- Enne kettsae hoiustamist ja transportimist pange juhtlati ja keti peale alati juhtlati kaitse. Olge ettevaatlik ja vältige keti teravaid hambaid.
- Enne hoiustamist puhastage saag hoolikalt. Hoidke saagi sisetingimustes, kuivas, lukustatud ja lastele kättesaamatus kohas.
- Hoidke seda emal korrodeerivatest ainetest (nt aiakemikaalid ja jääsalatussoolad).

Keskkonnakaitse



Elektri- ja elektroonikaseadmetest tekkinud jäätmete direktiiv (WEEE). Ärge visake elektriseadmeid, kasutatud akut ega laadijat olmeprügi hulka! Viige toode volitatud taaskäitleja juurde ja võimaldage selle komponendid sorteerituna kõrvaldada. Elektritööriistad viige keskkonnakaitseasutusse järgivasse jäätmekäitluskeskusesse.

ET

TÖRKEOTSING

PROBLEEM	PÕHJUS	LAHENDUS
Mootor ei käivitu.	<ul style="list-style-type: none"> ■ Akuhoidiku pistik pole kettsaega ühendatud. ■ Akuhoidiku ja aku vahel puudub elektriline ühendus. ■ Lukustuskeel ei ole üles volditud. ■ Toitelüliti "ON-OFF" on asendis "OFF". ■ Ketipidur on aktiivne. 	<ul style="list-style-type: none"> ■ Ühendage akuhoidiku pistik kettsaega. ■ Eemaldage aku, kontrollige ühendusi ja pange akuplokk tagasi. ■ Enne alustamist voltige lukustuskeel üles. ■ Seadke toitelüliti "ON-OFF" asendisse "ON". ■ Tõmmake keti tagasilöögiduri hooba pealmise käepideme poole tööasendisse.
Kettsaag seiskub töö käigus.	<ul style="list-style-type: none"> ■ Akuplokk või kettsaag on liiga kuum. ■ Kettsaag on ülekoormatud. ■ Ventilatsioonikanal on liigse puiduga blokeeritud. ■ Akuplokk on tühi. 	<ul style="list-style-type: none"> ■ Laske akuplokil või kettsael jahtuda. ■ Vähendage koormust. ■ Tolmu eemaldamise kohta lugege jaotisest "TOLMUEEMALDUS". ■ Laadige akuplokki.
Ketipidur ei tööta.	<ul style="list-style-type: none"> ■ Mustus takistab keti tagasilöögiduri hoova täies ulatuses liikumist. ■ Võimalik ketipiduri rike 	<ul style="list-style-type: none"> ■ Eemaldage väliselt ketipidurit mustus. ■ Küsige abi EGO hoolduskeskusest.
Lõikamisel määrdeaine lisandumist ei toimu.	<ul style="list-style-type: none"> ■ Ketiõli paak on tühi. ■ Ketiõli väljalase on blokeeritud. ■ Õli on madalal temperatuuril tahkemaks muutunud. 	<ul style="list-style-type: none"> ■ Lati ja keti määrdeaine lisamine. ■ Eemaldage tolm õli väljalaskest. ■ Asendage see õige määrdeainega (mis sobib madalate temperatuuride puhul).
Madala õlitaseme märgutuli vilgub punaselt või on ebanormaalselt värvi, samas kui õlipaak on õli täis.	<ul style="list-style-type: none"> ■ Seadme kasutusnurk põhjustab olukorra, kus õli ei jõua õlipaagist õlivoolikusse. ■ Kasutatakse mittesoovitatud kategooria ja värviga õli. ■ Madala õlitaseme märgutuli vilgub ikka punaselt. 	<ul style="list-style-type: none"> ■ Keerake kettsaag tasaseks ja proovige uuesti. ■ Kasutage soovitatud poolläbipaistvat kollast, poolläbipaistvat punast või poolläbipaistvat õli. ■ Remontimisel küsige abi EGO hoolduskeskusest.
Madala õlitaseme märgutuli ei tööta, kuigi õlipaagis on vähe õli.	<ul style="list-style-type: none"> ■ Kasutatava õli kategooria ja värvi ei ole määratletavad. ■ Õlipaagis või õlivoolikus on ikka väike kogus õli. ■ Madala õlitaseme märgutuli ei tööta ikka veel ülaltoodud põhjustel. 	<ul style="list-style-type: none"> ■ Kasutage soovitatud poolläbipaistvat kollast, poolläbipaistvat punast või poolläbipaistvat õli. ■ Kasutage kettsaagi vähese aja jooksul ja seejärel vaadake uuesti madala õlitaseme märgutuld. ■ Küsige abi EGO hoolduskeskusest.

ET

GARANTII

EGO GARANTIIPÕHIMÕTTED

Täielikud EGO garantiitingimused leiate veebilehelt egopowerplus.eu.

ПРОЧИТАЙТЕ ВСІ ІНСТРУКЦІЇ



ПРОЧИТАЙТЕ ПОСІБНИК З ЕКСПЛУАТАЦІЇ

СИМВОЛ БЕЗПЕКИ

Мета символів, пов'язаних із безпекою, – привернути вашу увагу до можливих небезпек. Символи безпеки та їхнє пояснення заслуговують на вашу пильну увагу та розуміння. Символи попереджень самі по собі не усувають будь-якої небезпеки. Інструкції та попередження, які вони надають, не замінюють належних заходів щодо запобігання аваріям.

▲ ПОПЕРЕДЖЕННЯ. Перш ніж користуватися цим інструментом, обов'язково ознайомтеся з усіма інструкціями з безпеки, наведеними в цьому посібнику користувача, зокрема з усіма символами попереджень, такими як «**НЕБЕЗПЕКА**», «**ПОПЕРЕДЖЕННЯ**» та «**ЗАСТЕРЕЖЕННЯ**». Недотримання наведених нижче вказівок може спричинити ураження електричним струмом, пожежу та/або серйозні травми.

ЗНАЧЕННЯ СИМВОЛУ

На цій сторінці зображено та описано символи, пов'язані з безпекою, які можуть відображатись на цьому виробі. Перш ніж намагатися зібрати та експлуатувати його, ознайомтеся з усіма інструкціями на інструменті та дотримуйтесь їх.

СИМВОЛИ, ЩО СТОСУЮТЬСЯ БЕЗПЕКИ



Попередження щодо безпеки



Надягайте цупкі робочі рукавички з міцного матеріалу.



Надягайте нековзане захисне взуття



Остерігайтеся віддачі – необхідно уникати контакту кінчика напрямної шини з будь-яким предметом



Віддача кінчика напрямної шини – контакт із кінчиком може призвести до того, що напрямна шина може раптово рухатися вгору і назад, що може спричинити серйозну травму.



Цей продукт відповідає чинному законодавству Великобританії.



Гарантований рівень звукової потужності.



Цей виріб відповідає чинним директивам ЄС.

IPX5

Захист від струменів води



Щоб зменшити ризик травми, користувач повинен ознайомитися з інструкцією користувача перед використанням цього виробу.



Носіть облягаючий одяг. Не носіть шарф, краватку або прикраси.



Носіть припасовані захисні окуляри, беруші або навушники та захисну каску з ремінцем на підборідді.



Тримайте обома руками – під час роботи з ланцюговою пилою завжди тримайте її обома руками.



Інформація про напрямну шину



Відходи електричних виробів не слід викидати разом із побутовим сміттям. Зверніться до авторизованого пункту переробки.

V

Вольти



Постійний струм

UK

ТЕХНІЧНІ ХАРАКТЕРИСТИКИ

Напруга	56 В
Діапазон рекомендованих робочих температур:	-15°C-40°C
Діапазон рекомендованих температур зберігання:	-40°C-70°C
Оптимальна температура заряджання	5°C-40°C
Довжина різання	300 мм
Швидкість ланцюга	20 м/с
Крок ланцюга	3/8" (9,5 мм)
Калібр ланцюга	1,1 мм
Тип пильного ланцюга	AC1200 (рекомендований) AC1400/AC1401 (сумісний) AC1600/AC1601 (сумісний)
Тип напрямної шини	AG1200 (рекомендований) AG1400/AG1401 (сумісний) AG1600/AG1601 (сумісний)
Крок ланцюга	3/8 дюйма (9,5 мм)
Калібр ланцюга	1,1 мм
Зазначена кількість зубів провідної зірочки	6
Ємність масляного бака ланцюга	250 мл
Вага (без акумулятора, футляра ланцюга)	3,5 кг
Вимірний рівень звукової потужності L_{WA}	98,8 дБ(A) K=3 дБ(A)
Рівень звукового тиску на робочому місці L_{PA}	88,1 дБ(A) K=3 дБ(A)
Гарантований рівень звукової потужності L_{WA} (відповідно до стандарту 2000/14/ЄС)	102 дБ(A)

UK

Вібрація a_h	Передня ручка	1,73 м/с ² K= 1,5 м/с
	Основна ручка	2,21 м/с ² K= 1,5 м/с

- Вказане загальне значення вібрації виміряне за стандартним методом тестування і може використовуватися для порівняння одного інструмента з іншим;
- Заявлене сумарне значення вібрації може також використовуватися для попередньої оцінки впливу.

ПРИМІТКА. Емісія вібрації під час фактичного використання електроінструмента може відрізнятися від заявленої величини, у якій використовується інструмент. Щоб захистити оператора, користувач повинен одягати рукавички та захисні навушники в реальних умовах використання.

ОПИС

ОЗНАЙОМЛЕННЯ З ЛАНЦЮГОВОЮ ПИЛОЮ (рис. А1)

1. Пильний ланцюг
2. Ручка гальма віддачі ланцюга
3. Запірний язичок
4. Основна ручка
5. Пусковий перемикач зі змінною швидкістю
6. Вушко
7. Індикатор заряду акумулятора
8. Індикатор низького рівня мастила
9. Передня ручка
10. Кришка бачка для мастила
11. Напрямна шина
12. Змашувальний отвір
13. Зірочка
14. Гвинт натягу
15. Захисний вимикач
16. Напрямний болт
17. Гайка шини
18. Бічна кришка в зборі
19. Кришка гвинта регулювання потоку масла
20. Кришка для видалення пилу
21. Механізм викидання
22. Електричні контакти
23. Кнопка звільнення батареї
24. Гачок для ременя
25. Пряжка
26. Ремінь
27. Стропа
28. Кільце 1
29. Гачок пили
30. Електрична вилка
31. Кільце 2

32. Футляр ланцюга
33. Комбінований ключ

ПАКУВАЛЬНИЙ СПИСОК (РИС. А1) ЗБИРАННЯ


ЗБИРАННЯ/РОЗБИРАННЯ ШИНИ ТА ЛАНЦЮГА

⚠ ПОПЕРЕДЖЕННЯ. Завжди відключайте шнур живлення і надягайте захисні рукавички перед збиранням або обслуговуванням виробу.

⚠ ПОПЕРЕДЖЕННЯ. Прочитайте всі попередження безпеки, інструкції, ілюстрації та характеристики, надані з цим електроінструментом. Недотримання наведених нижче вказівок може спричинити ураження електричним струмом, пожежу та/або серйозні травми.

⚠ ПОПЕРЕДЖЕННЯ. Обов'язково замовляйте шину та ланцюг пили, зазначені в цьому посібнику. Недотримання цього правила може призвести до серйозних травм.

Зберігайте всі попередження та інструкції для використання у майбутньому.

1. Переконайтеся , що ручка гальма віддачі встановлена в положення
2. Відкрутіть **гайку шини (А-17)** проти годинникової стрілки, щоб зняти **бічну кришку в зборі (А-18)**.
3. Розкладіть пильний ланцюг по колу на рівну поверхню і вирівняйте будь-які перекручування. (Рис. В1)
4. Установіть **приводні ланки (В-1)** в **паз (В-2)** напрямної шини та з'єднайте ланцюг колом ззаду напрямної шини. (Рис. В2)
5. Тримайте ланцюг у положенні на напрямній шині та розсташуйте петлю навколо **зірочки ланцюга приводної головки (В-3)** та перевірте такі елементи (рис. В3):
 - a) Ланки привода ланцюга вставлені на зубці **зірочки ланцюга (В-3)**.
 - b) **Натяжний гвинт (В-4)** і **напрямний болт (В-5)** перебувають у прорізі напрямної шини. **Натяжний штифт (В-6)** входить в отвір напрямної шини.

ПРИМІТКА. Стежте за тим, щоб стрілки на зубцях пильного ланцюга завжди дивилися вперед (Рис. В3).

6. Зверніться до розділу «**НАТЯГ ПИЛЬНОГО ЛАНЦЮГА**», щоб переконатися, що ланцюг правильно зібраний без зайдань.

7. Сумістіть два **напрямні стрижні (В-7)** бічної кришки в зборі з відповідними **отворами (В-8)** в пилі, потім установіть бічну кришку в зборі. (Рис. В4)
8. Затягніть гайку шини.

В-1	Приводні ланки	В-5	Напрямний болт
В-2	Паз	В-6	Натяжний штифт
В-3	Зірочка ланцюга	В-7	Напрямні стрижні
В-4	Гвинт натягу	В-8	Отвори

ПРИМІТКА. Якщо необхідно замінити напрямну шину, зніміть бічну кришку в зборі та встановіть її з новою напрямною шиною, як показано на рис. С.

ЕКСПЛУАТАЦІЯ

Перед кожним використанням перевіряйте весь виріб на наявність пошкоджених, відсутніх або незакріплених деталей, таких як гвинти, гайки, болти тощо. Надійно затягніть усі кріплення та кришки й не використовуйте цей виріб, доки не буде замінено всі відсутні або пошкоджені деталі.

⚠ ПОПЕРЕДЖЕННЯ. Деякі національні правила можуть обмежувати використання інструмента.

⚠ ПОПЕРЕДЖЕННЯ. Якщо ви втомилися, хворі або перебуваєте під впливом алкоголю чи інших наркотиків, будь ласка, не працюйте з інструментом.

ПРИМІТКА. Якщо інструмент вийшов із-під контролю, наприклад, через віддачу, негайно вимкніть живлення.

ЗАСТОСУВАННЯ

Виріб можна використовувати під дощем.

- Ця ланцюгова пила розроблена спеціально для обрізання дерев і догляду за ними.



Цією пилою повинні користуватися тільки особи, які пройшли спеціальну підготовку з догляду за деревами.

ПРИМІТКА. Рекомендація про те, що досвідчений користувач повинен прийнятні попрактикуватися в розпилюванні колод на козлах або платформах.

НАТЯГ ПИЛЬНОГО ЛАНЦЮГА

⚠ ПОПЕРЕДЖЕННЯ. Ніколи не торкайтеся ланцюга й не регулюйте його, коли мотор працює. Ланцюг пили дуже гострий, завжди надягайте захисні рукавички під час обслуговування ланцюга.

Пильний ланцюг розширюється або стискається під час нормальної роботи пили. У результаті змінюється натяг ланцюга. Регулярно перевіряйте натяг ланцюга під час роботи та за необхідності відрегулюйте.

1. Вимкніть бензопилу, увімкніть гальмо ланцюга та від'єднайте шнур.
2. Послабте гайку шини, щоб напрямна шина могла вільно рухатися для майбутнього регулювання.
3. Утримуючи носок шини вгорі, відрегулюйте натяжний гвинт, доки не будуть виконані такі вимоги:
 - a) Провисання ланцюга в центрі шини становить близько: 1–2 мм (рис. D).
 - b) Вимкніть гальмо ланцюга і переконайтеся, що ланцюг можна протягнути по шині двома пальцями.

ПРИМІТКА. Виконайте цей крок обережно, щоб уникнути травм. Оскільки цей мотор постійного струму містить магнітний матеріал, порівняно зі звичайною бензопилою, коли ви запускаєте пильний ланцюг двома пальцями, ви відчуваєте певний опір. Це не так гладко, як з бензопилою.

4. Підніміть носок шини вгору та затягніть гайку шини.

ПРИМІТКА. Якщо провисання ланцюга в центрі шини не становить 1–2 мм, відрегулюйте натяг ланцюга.

ЗАПОВНЕННЯ БАЧКА ДЛЯ МАСТИЛА

1. Від'єднайте акумуляторну батарею від ланцюгової пили.
2. Покладіть ланцюгову пилу на бік на тверду плоску поверхню так, щоб кришка бачка для мастила була звернена вгору. Відкрийте кришку бачка для мастила. Якщо вона занадто туга, використовуйте шліцеву головку комбінованого ключа (входить у комплект), щоб послабити її (рис. E).
3. Обережно залийте мастило в бачок. Заповніть до нижньої частини заливної горловини. Протріть надлишок мастила і закрийте.

UK

ПРИМІТКА.

- Ланцюгова пила не наповнена мастилом у момент покупки. Перед використанням необхідно заповнити бачок мастилом. Ланцюг автоматично змачується мастилом для ланцюга під час роботи.
- Воно спеціально розроблене, щоб забезпечити низьке тертя і швидше різання.
- Ніколи не використовуйте мастило або інші мастильні матеріали, не призначені спеціально для використання на шині та ланцюзі. Це може призвести до засмічення масляної системи, що може

спричинити передчасний знос шини і ланцюга.

РЕГУЛЮВАННЯ ПОТОКУ МАСТИЛА (рис. F)

- Ця пила оснащена гвинтом регулювання потоку мастила (F-1), розташованим у нижній частині інструмента, він використовується для регулювання потоку мастила для змащення ланцюга, шини і ріжучої системи. Збільшення або зменшення потоку мастила в напрямку, зазначеному стрілками на корпусі.

СВІТЛОДІЮЩИЙ ІНДИКАТОР НА ЛАНЦЮГОВІЙ ПИЛІ

Ланцюгова пила оснащена 2 індикаторами, які вказують стан мастила та рівень заряду акумулятора(-ів).

Світлодіючий індикатор		Значення	Дія
Індикатор низького рівня мастила (A-8)	Блимає червоним	Брак мастила	Наповніть бачок для мастила
	Вимкнений	Є мастило	/
Індикатор заряду акумулятора (A-7)	Світлиться зеленим	Акумулятор заряджено	/
	Блимає зеленим	Акумуляторна батарея майже розряджена, і її потрібно негайно зарядити.	Зарядіть акумулятор

ПРИКРІПЛЕННЯ ФУТЛЯРА АКУМУЛЯТОРА ДО СТРАХУВАЛЬНИХ РЕМЕНІВ

Ця ланцюгова пила поставляється з футляром для акумулятора, він використовується для перенесення акумуляторної батареї і дає змогу прикріпити її до страхувальних ременів (не в комплекті).

ПРИМІТКА. Надійно закріпіть футляр акумулятора на страхувальному реміні перед тим, як надягнути його.

▲ ПОПЕРЕДЖЕННЯ. Для запобігання виникненню аварійної ситуації необхідно підготувати страхувальні ремені з функцією швидкого від'єднання.

1. Знайдіть найкраще місце для підвішування футляра для акумулятора на страхувальному реміні, повісьте футляр для акумулятора на страхувальному реміні за допомогою **гачка для ременя (G-1)**. (Рис. G1)
2. Обгорніть ремінь навколо страхувального ременя, щоб зафіксувати футляр для акумулятора на місці

(рис. G2 і G3).

- Прикріпіть два **кільця (G-2)** страховального ремня до страховальної прив'язі за допомогою двох карабінів (не входять у комплект), як показано на рис. G4.

G-1	Гачок для ремня	G-2	Кільця
-----	-----------------	-----	--------

ПРИМІТКА.

- Під час підйому на дерево прикріпіть кільця 1 і 2 страховального ремня до страховальної прив'язі за допомогою карабінів (не входять у комплект) (рис. G5)
- Коли інструмент використовується, від'єднайте кільце 2 від страховального ремня, візьміться за пилку двома руками, щоб виконати різання (рис. G6).

КРИПЛЕННЯ ПИЛИ ДО ФУТЛЯРА ДЛЯ АКУМУЛЯТОРА

Прикріпіть **гачок пили (H-2)** запобіжної стропи до **вушка (H-1)**. (Рис. H)

H-1	вушко	H-2	гачок пили
-----	-------	-----	------------

УСТАНОВЛЕННЯ/ВИЙМАННЯ АКУМУЛЯТОРНОЇ БАТАРЕЇ

ПРИМІТКА. Повністю зарядіть акумулятор перед першим використанням.

Установлення (рис. I1)

Вирівняйте ребра акумуляторної батареї з отворами для кріплення, а потім засуньте акумуляторну батарею у футляр для акумулятора, доки вона не зафіксується на своєму місці.

Зняття (рис. I2)

Натисніть кнопку звільнення акумулятора та витягніть акумуляторну батарею.

ЗАПУСК/ЗУПИНКА ЛАНЦЮГОВОЇ ПИЛИ

Запуск

- Сумістіть мітки «▲» на **електричній вилці (J-2)** та **роз'ємі живлення (J-1)** ланцюгової пили, потім вставте вилку в ланцюгову пилу, доки **ЗЕЛЕНИЙ** ущільнювач на вилці **ПОВНІСТЮ** не зникне в роз'ємі (рис. J1).
- Установіть перемикач «ON/OFF» у положення «**ON**» (рис. J2).
- Потягніть ручку гальма віддачі в напрямку основної рукоятки в робоче положення.
- Перемістіть **запірний язичок (J-3)** вперед, потім

натисніть **пусковий перемикач зі змінною швидкістю (J-4)**. Що сильніше ви натискаєте на пусковий перемикач зі змінною швидкістю, то вище швидкість обертання пильного ланцюга (рис. J3).

J-1	Електричний роз'єм	J-3	Запірний язичок
J-2	Електрична вилка	J-4	Пусковий перемикач зі змінною швидкістю

Зупинка

- Відпустіть пусковий перемикач зі змінною швидкістю, щоб зупинити ланцюгову пилу.

ПРИМІТКА. Пильний ланцюг буде продовжувати обертатися протягом короткого часу після відпускання пускового перемикача зі змінною швидкістю. Будьте обережні, щоб уникнути контакту після відпускання пускового перемикача зі змінною швидкістю, а також коли кладете ланцюгову пилу.

- Перемістіть ручку гальма віддачі вперед у положення гальмування. «».

- Установіть перемикач «ON/OFF» у положення «**OFF**»

▲ ПОПЕРЕДЖЕННЯ. Завжди від'єднайте акумуляторну батарею від ланцюгової пили під час перерв у роботі та після закінчення роботи.

ПІДГОТОВКА ДО ОБРІЗАННЯ

Правильне тримання ручок (рис. K)

- Носіть нековзні рукавички для максимального зчеплення і захисту.
- Завжди тримайте передню ручку лівою рукою, а основну ручку – правою.
- Пальці мають охоплювати ручку, великий палець має бути під передньою ручкою.

▲ ПОПЕРЕДЖЕННЯ. Ніколи не беріться лівою рукою за ручку (не перехресуйте руки) і не приймайте положення, при якому ваше тіло або рука перетинало б лінію ланцюга.

▲ ПОПЕРЕДЖЕННЯ. Не натискайте на пусковий перемикач лівою рукою і тримайтеся правою рукою за передню ручку. У жодному разі не допускайте, щоб будь-яка частина вашого тіла перебувала на лінії ланцюга під час роботи з ланцюговою пилою (рис. L).

ПЕРЕВІРКА ЗМІЩЕННЯ ЛАНЦЮГА (рис. M)

ПРИМІТКА. Переконайтеся, що мастильний бачок ланцюгової пили заповнений потрібним об'ємом мастила для ланцюга.

1. Тримайте напрямну шину над світлою поверхнею.
2. Увімкніть пилу. Через 1 хвилину ви побачите чітку лінію мастила на світлій поверхні, якщо змащення ланцюга працює правильно.
3. Якщо мастила все ще не видно на світлій поверхні, зверніться до розділу «РЕГУЛЮВАННЯ ПОТОКУ ОЛІЇ», щоб відрегулювати.

РОБОТА НА ДЕРЕВІ

▲ ПОПЕРЕДЖЕННЯ: під час роботи або лазіння рекомендується використовувати додаткову опору, таку як стремено для ніг, регульований шнурок, щоб запобігти розгойдуванню та щоб не порізатися.

Перед використанням перевірте таке:

- Перевірте сліди зносу на **зірочці ланцюга (N-1)**. Якщо сліди зносу глибше 0,5 мм: зверніться до дилера EGO для заміни зірочки.
- Також перевірте гальмівну систему. Якщо сліди зносу на **гальмівній накладці (N-2)** нерівні, зверніться до дилера EGO для заміни гальмівної накладки. (Рис. N)

N-1	Зірочка ланцюга	N-2	Гальмівна накладка
-----	-----------------	-----	--------------------

- Перевірте напрямну шину, див. відповідний розділ: **ДОГЛЯД ЗА НАПРЯМНОЮ ШИНОЮ**
- Перевірте пильний ланцюг, див. відповідний розділ: **ОБСЛУГОВУВАННЯ ЛАНЦЮГА**
- Перевірка гальма ланцюга, див. відповідний розділ: **ЗАПОБІЖНІ ПРИСТРОЇ, ЩО ЗАХИЩАЮТЬ ВІД ВІДДАЧІ, УСТАНОВЛЕНІ НА ЦІЙ**

ЛАНЦЮГОВІЙ ПИЛИ

- Перевірте елементи керування, див. відповідний розділ: **ЗАПУСК/ЗУПИНКА ЛАНЦЮГОВОЇ ПИЛИ**
- Перевірте змащення ланцюга, див. відповідний розділ: **ПЕРЕВІРКА ЗМІЩЕННЯ ЛАНЦЮГА**

ОБСЛУГОВУВАННЯ

ЧИЩЕННЯ

- Після кожного використання очистьте сміття з ланцюга та напрямної шини м'якою щіткою. Протріть поверхню ланцюгової пили чистою тканиною, змоченою м'яким розчином мила.
- Для глибокого очищення зніміть бічну кришку в зборі, зніміть напрямну шину та пильний ланцюг, а потім використовуйте м'яку щітку, щоб ретельно видалити сміття з напрямної шини, пильного ланцюга і ведучої зірочки на приводний головці ланцюгової пили.
- Завжди вищайчайте деревну стружку, пил і бруд із паза

напрямної шини під час заміни пильного ланцюга.

ВИДАЛЕННЯ ПИЛУ

1. Від'єднайте кабель живлення, дайте ланцюговій пилі охолонути та закрутіть кришку масляного бака.
2. Увімкніть гальмо пили
3. Використовуйте комбінований ключ (входить у комплект), щоб послабити гвинт **кришки пилословлювача (O-1)** і відкрити її (рис. O1).
4. Видаліть тирсу і стружку, що зібралася в охолоджувальному ребрі, використовуючи стиснене сухе повітря, продіть його через **вхідний отвір для повітря на протилежній стороні (O-2)**. (Рис. O2).

O-1	Кришка для видалення пилу	O-2	Отвір для входу повітря
-----	---------------------------	-----	-------------------------

ДОГЛЯД ЗА НАПРЯМНОЮ ШИНОЮ

Коли на напрямній шині з'являються ознаки зносу, зніміть її з приводної головки пили і переверніть її для повторного розбирання та збирання (рис. P1), У цьому випадку знос буде розподілено для максимального строку служби шини.

Слід очищати шину (включно з **напрямними шини (P-1)** і **отвір для змащування (P-2)** кожен день, коли пила використовується, а також потрібно перевіряти її на знос і пошкодження (рис. P2). Утворення нальоту або задирок на рейках шини є нормальним процесом її зносу. Такі дефекти слід згладжувати напилком, щойно вони з'являться. Шину з будь-якими з наведених нижче дефектів слід замінити.

Знос всередині рейок шини, що дає ланцюгу змогу лягати на бік.

- Зігнута напрямна шина
- Тріснуті або зламані рейки.
- Рейки, що розійшлися.

Напрямна шина має зірочку на кінці. Зірочку потрібно змащувати щотижня за допомогою масляного шприца, щоб продовжити термін служби напрямної шини (рис. P3 та P4). Поверніть **носову зірочку (P-3)**, перекачуючи **напівпрозоре жовте, напівпрозоре червоне або напівпрозоре мастило в мастильний отвір (P-4)**, доки вся зірочка не отримає нове мастило. Не заштовхуйте бруд в отвір.

P-1	Напрямні шини	P-3	Зірочка
P-2	Змащувальний отвір	P-4	Змащувальний отвір

ОБСЛУГОВУВАННЯ ЛАНЦЮГА

Використовуйте з цією пилою ланцюги з низькою віддачею. Цей швидкий різальний ланцюг забезпечить зменшення віддачі за умови правильного обслуговування.

Правильно заточений пильний ланцюг розрізає дерево без зусиль, навіть у разі дуже невеликого тиску. Ніколи не

використовуйте тупий або пошкоджений пильний ланцюг. Тупий різальний ланцюг приводить до збільшення фізичного навантаження, збільшення вібраційного навантаження, незадовільного результату різання та підвищеного зносу.

Для плавного і швидкого різання ланцюг необхідно обслуговувати належним чином. Ланцюг вимагає загострення, коли тирса дрібна і порошкоподібна, ланцюг необхідно силою проводити по дереву під час різання або ланцюг ріже з однієї сторони. Під час обслуговування ланцюга необхідно враховувати таке:

ПОПЕРЕДЖЕННЯ: рекомендується проводити заточування та обслуговування **пильного ланцюга** в авторизованих сервісних центрах.

ТРАНСПОРТУВАННЯ ТА ЗБЕРІГАННЯ

- Не зберігайте та не переміщуйте ланцюгову пилу, коли вона працює. Перед зберіганням або транспортуванням завжди від'єднуйте шнур живлення.
- Завжди накладайте захисну оболонку на напрямну шину та ланцюг, перш ніж зберігати або транспортувати ланцюгову пилу. Будьте обережні, щоб уникати гострих зубців ланцюга.
- Перед зберіганням слід ретельно очистити ланцюгову пилу. Зберігайте ланцюгову пилу в місці, недоступному для дітей.
- Тримайте подалі корозійні агенти, такі як садові хімікати та солі проти ожеледі.

Захист довкілля



WEEE (відходи електричного та електронного устаткування) Не викидайте електричне обладнання, акумулятор і зарядний пристрій у побутові відходи! Віднесіть цей виріб авторизованому переробнику й надайте його для роздільного збирання. Електроінструменти необхідно повернути в підприємство, що займається екологічно безпечною переробкою.

УСУНЕННЯ НЕСПРАВНОСТЕЙ

НЕСПРАВНІСТЬ	ПРИЧИНА	ВИРІШЕННЯ
Мотор не запускається.	<ul style="list-style-type: none"> ■ Штекер футляра акумулятора не прикріплений до ланцюгової пили. ■ Немає електричного контакту між футляром акумулятора та акумулятором. ■ Запірний язичок не загнутий. ■ Перемикач «ON-OFF» перебуває в положенні «OFF». ■ Гальмо ланцюга задіяне. 	<ul style="list-style-type: none"> ■ Вставте штекер футляра акумулятора в ланцюгову пилу. ■ Від'єднайте акумулятор, перевірте контакти та знову встановіть акумулятор. ■ Перед запуском відкиньте фіксувальний язичок. ■ Установіть перемикач «ON-OFF» у положення «ON» ■ Потягніть ручку гальма віддачі назад у напрямку верхньої ручки в робоче положення.
Ланцюгова пила зупиняється під час роботи.	<ul style="list-style-type: none"> ■ Акумулятор або ланцюгова пила занадто гарячі. ■ Ланцюгова пила перевантажена. ■ Занадто багато шматків дерева блокують вентиляційний канал. ■ Акумуляторна батарея розряджена. 	<ul style="list-style-type: none"> ■ Остудіть акумулятор або ланцюгову пилу ■ Зменште навантаження. ■ Очистіть пил, див. розділ «ВИДАЛЕННЯ ПИЛУ». ■ Зарядіть акумуляторну батарею
Гальмо ланцюга не задіюється	<ul style="list-style-type: none"> ■ Сміття заважає повному руху ручки гальма віддачі ланцюга ■ Можлива несправність гальма ланцюга 	<ul style="list-style-type: none"> ■ Приберіть сміття з механізму гальма зовнішнього ланцюга ■ Зверніться до клієнтської служби EGO для ремонту.
Під час різання змащення не відбувається.	<ul style="list-style-type: none"> ■ Бачок мастила для ланцюга пустий. ■ Вихід мастила з пильної шини заблокований ■ Затвердіння масла при низькій температурі 	<ul style="list-style-type: none"> ■ Додавання мастила для шини та ланцюга. ■ Приберіть пил з отвору для випуску мастила. ■ Замініть на відповідне мастило (яке підходить для низьких температур)
Індикатор низького рівня мастила блимає червоним кольором або світиться, коли мастильний бачок заповнений мастилом.	<ul style="list-style-type: none"> ■ Особливий кут використання інструмента, під яким мастило в бачку не потрапляє в мастилопровід. ■ Не рекомендовані категорія та колір мастила. ■ Індикатор низького рівня мастила все ще блимає червоним. 	<ul style="list-style-type: none"> ■ Покладіть ланцюгову пилу рівно та спробуйте знову. ■ Використовуйте рекомендоване напівпрозоре жовте, напівпрозоре червоне або напівпрозоре масло. ■ Зверніться до клієнтської служби EGO для ремонту
Індикатор низького рівня мастила не працює, коли в мастильному бачку бракує мастила.	<ul style="list-style-type: none"> ■ Категорія і колір мастила не можуть бути визначені. ■ В мастильному бачку або мастилопроводі залишилася невелика кількість мастила. ■ Індикатор низького рівня мастила все ще не працює з вищезгаданих причин. 	<ul style="list-style-type: none"> ■ Використовуйте рекомендоване напівпрозоре жовте, напівпрозоре червоне або напівпрозоре масло. ■ Трохи попрацюйте ланцюговою пилою, а потім знову перевірте індикатор низького рівня мастила. ■ Зверніться до клієнтської служби EGO для ремонту.

UK

ГАРАНТІЯ

ПРАВИЛА ГАРАНТІЇ EGO

Відвідайте веб-сайт egopowerplus.eu для отримання повного тексту умов гарантійної політики EGO.

188

56-ВОЛЬТНА ЛІТІЙ-ІОННА АКУМУЛЯТОРНА ЛАНЦЮГОВА ПИЛА З ВЕРХНЬОЮ РУКОЯТКОЮ — CSX3000

ПРОЧЕТЕТЕ ВСИЧКИ ИНСТРУКЦИИ!



ПРОЧЕТЕТЕ РЪКОВОДСТВОТО НА ОПЕРАТОРА

СИМВОЛ ЗА БЕЗОПАСНОСТ

Целта на символите за безопасност е да привличат вниманието към възможни опасности. Символите за безопасност и обясненията към тях заслужават вашето повишено внимание и осъзнаване. Символите за безопасност сами по себе си не елиминират каквато и да е опасност. Инструкциите и предупрежденията, които предоставят не са заместители за подходящите мерки за предотвратяване на инцидент.

▲ ПРЕДУПРЕЖДЕНИЕ: Уверете се, че сте прочели и осъзнали всички инструкции за безопасност в това Ръководство на оператора, включително всички известяващи символи за безопасност, като **“ОПАСНОСТ,”** **“ПРЕДУПРЕЖДЕНИЕ”** и **“ВНИМАНИЕ”** преди да използвате този инструмент. Неспазването на всички инструкции изброени долу може да доведе до електрически удар, пожар и/или сериозно нараняване.

ЗНАЧЕНИЕ НА СИМВОЛИТЕ

Тази страница изобразява и описва символите за безопасност, които може да се появят по този продукт. Прочетете, осъзнайте и следвайте всички инструкции по машината преди предприемане на сглобяване и работа.

СИМВОЛИ ЗА БЕЗОПАСНОСТ



Сигнал за безопасност



Носете дебели работни ръкавици направени от устойчив материал



Носете нехлъзгащи се предпазни обувки



Внимавайте за откат - трябва да бъде избягван контакт на върха на водещата шина с някой обект



Откат на върха на водещата шина - контакт на върха може да причини внезапно движение нагоре и назад на водещата шина, което може да причини сериозно нараняване.



Този продукт е в съответствие с приложимото законодателство на Великобритания.



Гарантирано ниво на мощност на звука.



Този продукт е в съответствие с приложимите директиви на ЕС.

IPX5

Защита срещу водни струи



За намаляване на опасността от нараняване, потребителят трябва да прочете и разбере ръководството на оператора преди използването на този продукт.



Носете плътно прилепнало облекло. Не носете шалове, огърлици или бижута



Носете плътно поставени предпазни очила, антифони или тапи за уши и предпазна каска с ремък за брадичката



Дръжте с две ръце - винаги използвайте две ръце, когато работите с верижния трион.



Информация за водещата шина



Отпадъчните електрически продукти не трябва да бъдат изхвърляни заедно с домакинския отпадък. Отнесете го до утълномощено място за рециклиране.

V

Волт



Постоянен ток

BG

СПЕЦИФИКАЦИИ

Напрежение	56 V	
Препоръчителна работна температура	-15°C-40°C	
Препоръчителна температура на съхранение	-40°C-70°C	
Оптимална температура на зареждане	5°C-40°C	
Дължина на рязане	300mm	
Скорост на веригата	20m/s	
Стъпка на веригата	3/8" (9,5mm)	
Измервателен уред за веригата	1,1 mm	
Вид верига за трион	AC1200 (препоръчителна) AC1400/AC1401 (съвместима) AC1600/AC1601 (съвместима)	
Вид на водещата шина	AG1200 (препоръчителна) AG1400/AG1401 (съвместима) AG1600/AG1601 (съвместима)	
Стъпка на веригата	3/8" (9,5 mm)	
Дебелина на веригата	1,1 mm	
Указан брой зъби на верижното зъбно колело	6	
Вместимост на резервоара за верижно масло	250 ml	
Тегло (без акумулаторна батерия, капак на веригата)	3,5 kg	
Измерено ниво на сила на звука L_{WA}	98,8 dB(A) K=3 dB(A)	
Ниво на звуково налягане в работна позиция L_{PA}	88,1 dB(A) K=3 dB(A)	
Гарантирано ниво на сила на звука L_{WA} (съгласно 2000/14/ЕС)	102dB(A)	
Вибрации при n	Предна ръкохватка	1,73 m/s ² K= 1,5 m/s
	Главна ръкохватка	2,21 m/s ² K= 1,5 m/s

- Декларираният общ размер на вибрации е измерен в съответствие със стандартния метод за тест и може да бъде използван за сравнение между два инструмента;
- Декларираният общ размер на вибрации може също така да бъде използван за предварителна оценка на влиянието.

БЕЛЕЖКА: Вибрационните емисии по време на действителната употреба на електрическия инструмент може да се различава от декларираната стойност. С цел да се защити оператора, потребителят трябва да носи ръкавици и антифони в действителни условия на работа.

ОПИСАНИЕ

ЗАПОЗНАЙТЕ СЕ С ВАШИЯ ВЕРИЖЕН ТРИОН (Фиг. А1)

1. Верига за трион
2. Спирачка за откат на веригата
3. Заклучващо езиче
4. Главна ръкохватка
5. Спусък за променлива скорост
6. Ухо
7. Индикатор за акумулаторната батерия
8. Индикатор за ниско ниво на маслото
9. Предна ръкохватка
10. Капачка за маслен резервоар
11. Водеща шина
12. Отвор за смазване
13. Верижно зъбно колело
14. Винт за обтягане
15. Предпазен превключвател за ВКЛ.-ИЗКЛ.
16. Водещ болт
17. Гайка на шината
18. Възел на страничния капак
19. Капак на регулиращия винт за масления поток
20. Капак за отстраняване на прах
21. Механизъм за изваждане
22. Електрически контакти
23. Бутон за освобождаване на батерията
24. Кука за ремък
25. Катарам
26. Лента
27. Усилено въже
28. Пръстен 1
29. Кука на триона
30. Щепсел
31. Пръстен 2
32. Капак на веригата
33. Комбиниран гаечен ключ

BG

ОПАКОВЪЧЕН ЛИСТ (ФИГ. А1)

МОНТАЖ


МОНТАЖ/ДЕМОНТАЖ НА ШИНАТА И ВЕРИГАТА

▲ ПРЕДУПРЕЖДЕНИЕ: Винаги изваждайте щепсела и носете предпазни ръкавици, преди да сглобявате или извършвате поддръжка на продукта.

▲ ПРЕДУПРЕЖДЕНИЕ: Прочетете всички предупреждения за безопасност, инструкции, илюстрации и спецификации предоставени с този електрически инструмент. Неспазването на всички инструкции изброени долу може да доведе до токов удар, пожар и/или сериозно нараняване.

▲ ПРЕДУПРЕЖДЕНИЕ: Непременно поръчайте шината и веригата за трион посочени в това ръководство. Неспазването на това може да доведе до сериозно нараняване.

Запазете всички предупреждения и инструкции за бъдеща справка.

1. Уверете се, че спирачката за откат на веригата е поставена в позиция .
2. Развийте **гайката на шината (А-17)** обратно на часовниковата стрелка и снемете **възела на страничния капак (А-18)**.
3. Поставете веригата за трион в затворен кръг върху равна повърхност и изправете всички прегъвания. (Фиг. В1)
4. Поставете **заддвижващите звена (В-1)** в **жлеба (В-2)** на водещата шина и направете ухо на веригата в задната част на водещата шина. (Фиг. В2)
5. Дръжте веригата на позиция върху водещата шина и поставете ухото около **верижното зъбно колело (В-3)** на хранващата глава и проверете следното (Фиг. В3):
 - а) Заддвижващите звена на веригата са легнали на зъбите на **верижното зъбно колело (В-3)**.
 - б) **Винтът за обтягане (В-4)** и **водещият болт (В-5)** се намират в прореза на водещата шина. **Щифтът за обтягане (В-6)** е зацепен в отвора на водещата шина.

БЕЛЕЖКА: Уверете се, посоката на стрелките на зъбите на верижния трион винаги е насочена напред (Фиг. В3).

6. Вижте раздела „ОБТЯГАНЕ НА ВЕРИГАТА НА ТРИОНА“ за да се уверите, че веригата е правилно монтирана без огъване.
7. Подравнете двата **водещи щифта (В-7)** на възела на страничния капак със съответните **отвори**

(**В-8**) в триона, след това поставете възела на страничния капак. (Фиг. В4)

8. Затегнете гайката на шината.

В-1	Заддвижващи звена	В-5	Водещ болт
В-2	Жлеб	В-6	Щифт за обтягане
В-3	Верижно зъбно колело	В-7	Водещи щифтове
В-4	Винт за обтягане	В-8	Отвори

БЕЛЕЖКА: Ако водещата шина трябва да бъде заменена, демонтирайте възела на страничния капак и го монтирайте отново с новата водеща шина, както е показано на Фиг. С.

ЕКСПЛОАТАЦИЯ

Преди всяка употреба инспектирайте целия продукт за повредени, липсващи или разхлабени части като винтове, гайки, болтове и др. Затегнете сигурно всички закрепващи елементи и капачки и не работете с продукта, докато не бъдат заменени всички липсващи или повредени части.

▲ ПРЕДУПРЕЖДЕНИЕ: Някои национални регулации може да ограничават употребата на машината.

▲ ПРЕДУПРЕЖДЕНИЕ: Когато сте уморени, болни или под въздействието на алкохол или други опии, моля, не работете с машината.

ЗАБЕЛЕЖКА: Ако машината е извън контрол, като при откат, моля, изключете захранването незабавно.

ПРИЛОЖЕНИЕ

Продуктът може да бъде използван в дъжд.

- Този верижен трион е проектиран специално за санитарна сеч и поддръжка.



Този трион трябва да бъде използван само от лица, които са специално обучени в работата по поддръжане на гори.

БЕЛЕЖКА: Препоръки, които начинаещият потребител трябва като минимум да изпълнява при рязане на дървета върху магаре или люлка.

ОБТЯГАНЕ НА ВЕРИЖНИЯ ТРИОН

▲ ПРЕДУПРЕЖДЕНИЕ: Никога не докосвайте или регулирайте веригата, докато моторът работи. Веригата на триона е много остра, винаги носете предпазни ръкавици, когато извършвате поддръжка на веригата.

Веригата на триона се разтяга или свива по време на

нормално рязане. Обтягането на веригата в резултат на това се променя. Проверявайте обтягането на веригата периодично по време на работа и го регулирайте отново, ако е необходимо.

1. Изключете верижния трион, задействайте спирачката на веригата и извадете захранващия щепсел.
2. Разхлабете гайката на шината, така че водещата шина да може да се движи свободно за бъдеща настройка.
3. Дръжте носа на шината нагоре и регулирайте винта за обтягане, докато бъдат изпълнени следните точки:
 - a) Провисването на веригата в средата на шината е около: 1 - 2 mm (Фиг. D).
 - b) Освободете спирачката на веригата и се уверете, че веригата може да бъде издърпана по шината с два пръста.

БЕЛЕЖКА: Внимателно изпълнете тази стъпка, за да избегнете наранявания на хора. Поради това, че този постоянноотков двигател съдържа магнитен материал, в сравнение с обикновения бензинов верижен трион, когато движите веригата с два пръста, ще усетите определено съпротивление. Тя не е така плавна като при бензинов верижен трион.

4. Задръжте носа на шината нагоре и затегнете гайката на шината.

БЕЛЕЖКА: Ако провисването на веригата в средата на шината не е 1 - 2 mm, регулирайте отново обтягането на веригата.

НАПЪЛВАНЕ НА МАСЛЕНИЯ РЕЗЕРВОАР

1. Разкачете акумулаторната батерия от верижния трион.
2. Поставете верижния трион странично върху твърда, равна повърхност, така че капачката на масления резервоар да е насочена нагоре. Отворете капачката на масления резервоар. Ако тя е твърде затегната, използвайте главата с прорез на комбинирания гаечен ключ (предоставен) и я разхлабете (Фиг. E)
3. Внимателно напълнете масло в масления резервоар. Напълнете до дъното на гърловината за пълнене. Избършете всяко излишно масло и я затворете.

БЕЛЕЖКА:

- Верижният трион не е напълнен с масло по времето на покупката. Изключително важно е да напълните резервоара с масло преди употреба. Веригата се

смазва автоматично с верижно масло по време на работа.

- То е специално проектирано за да предостави ниско триене и по-бързо рязане.
- Никога не използвайте масло или други смазочни средства, които не са специално проектирани за употреба на шината и веригата. Това може да доведе до запушване на маслената система, което може да причини преждевременно износване на шината и веригата.

РЕГУЛИРАНЕ НА МАСЛЕНИЯ ПОТОК (Фиг. F)

- Този трион е оборудван с **винт за регулиране на масления поток (F-1)**, намиращ се на дъното на инструмента, който се използва за регулиране на масления поток за смазване на веригата, шината и системата за рязане. Увеличаване или намаляване на масления поток в посоката на стрелките маркирани върху корпуса.

СВЕТОДИОДЕН ИНДИКАТОР НА ВЕРИЖНИЯ ТРИОН

Верижният трион е оборудван с 2 светодиодни индикатора за показване на състоянието на заряда на акумулаторната(ите) батерия(и).

Светодиоден индикатор	Значение	Действие	
Индикатор за ниско ниво на маслото (A-8)	Мигащо червено	Недостиг на масло	Напълнете масления резервоар
	Изкл.	Има масло	/
Индикатор за акумулаторната батерия (A-7)	Светещо зелено	Акумулаторната батерия е заредена	/
	Мигащо зелено	Акумулаторната батерия близо до изтощаване и трябва да се зареди незабавно.	Заредете акумулаторната батерия

ЗАКРЕПВАНЕ НА НОСАЧА НА БАТЕРИЯТА КЪМ КОЛАН ЗА КАТЕРЕНЕ

Верижният трион се доставя с носач на батерията, който се използва за пренасяне на акумулаторната батерия и позволява закрепването му към колан за катерене (не е доставен).

БЕЛЕЖКА: Закрепете носача на батерията стабилно към колана за катерене, преди да поставите колана за катерене.

▲ ПРЕДУПРЕЖДЕНИЕ: Коланът за катерене с функция бързо освобождаване трябва да бъде подготвен за предотвратяване на възникване на авария.

1. Потърсете предпочитаната точка за окачване на този носач за батерия на колана за катерен и окачете носача за батерия върху колана за катерене с **куката за ремък (G-1)**. (Фиг. G1)
2. Увийте ремъка около колана за катерене, за да фиксирате носача на батерията на място (Фиг. G2 и G3).
3. Закрепете два **пръстена (G-2)** на предпазното усилено въже към колана за катерене като използвате две карабинни куки (не са предоставени), както е показано на Фиг. G4.

G-1	Кука за ремък	G-2	Пръстени
-----	---------------	-----	----------

БЕЛЕЖКА:

- Когато се катерите по дървото, закрепете пръстена 1 и 2 на предпазното усилено въже към колана за катерене като използвате карабинни куки (не са предоставени) (Фиг. G5)
- Когато използвате инструмента, откачете пръстен 2 от колана за катерене, като държите триона с две ръце, за да извършвате рязане (Фиг. G6).

ЗАКРЕПВАНЕ НА ТРИОНА КЪМ НОСАЧА НА БАТЕРИЯТА

Закрепете **куката на триона (H-2)** на предпазното усилено въже към **ухото (H-1)**. (Фиг. H)

H-1	Ухо	H-2	Кука на триона
-----	-----	-----	----------------

МОНТИРАНЕ/ИЗВАЖДАНЕ НА АКУМУЛАТОРНАТА БАТЕРИЯ

БЕЛЕЖКА: Заредете напълно акумулаторната батерия преди нейната първа употреба.

За да монтирате (Фиг. I1)

Подравнете повдигнатите ребра на акумулаторната батерия с монтажните прорези, след което приплъзнете акумулаторната батерия в носача на батерията, докато се фиксира на място.

За да извадите (Фиг. I2)

Натиснете бутона за освобождаване на батерията с палец и издърпайте акумулаторната батерия навън.

СТАРТИРАНЕ/СПИРАНЕ НА ВЕРИЖНИЯ ТРИОН

За да стартирате

1. Подравнете маркировките „▲“ на **щепсела (J-2)** и **електрическия контакт (J-1)** на верижния трион, след което вкарайте щепсела във верижния трион, докато ЗЕЛЕНОТО уплътнение на щепсела НАПЪЛНО се скрие в контакта (Фиг. J1).
2. Натиснете превключателя за „ВКЛ./ИЗКЛ.“ в позиция **“ON”** (ВКЛ.) (Фиг. J2).
3. Издърпайте спирачната ръкохватка за откат на веригата в посока към главната ръкохватка в позиция .
4. Преместете **заключващото езиче (J-3)** напред и след това натиснете **спусъка за променлива скорост (J-4)**. Колкото повече издърпвате спусъка за променлива скорост, толкова по-високи са оборотите на въртене на верижния трион (Фиг. J3).

J-1	Електрически контакт	J-3	Заключващо езиче
J-2	Щепсел	J-4	Спусък за променлива скорост

За да спрете

1. Освободете спусъка за променлива скорост, за да спрете верижния трион.

БЕЛЕЖКА: Вижният трион ще продължи да се върти за кратко след освобождаване на спусъка за променлива скорост. Бъдете внимателни, за да избегнете контакт след освобождаване на спусъка за променлива скорост и когато оставяте верижния трион.

2. Натиснете спирачката за откат на веригата напред към спирачна позиция .
3. Натиснете превключателя за „ВКЛ./ИЗКЛ.“ в позиция **“OFF”** (ИЗКЛ.)

▲ ПРЕДУПРЕЖДЕНИЕ: Винаги изваждайте щепсела от верижния трион по време на работни прекъсвания и след завършване на работата.

ПОДГОТОВКА ЗА РЯЗАНЕ

Правилен захват на ръкохватките (фиг. K)

- Носете неплъзгащи се ръкавици за максимален захват и защита.
- Винаги хващайте предната ръкохватка с лявата ръка и главната ръкохватка с дясната ръка.
- Пръстите трябва да обхващат ръкохватката, като палецът е обвит под предната ръкохватка.

▲ ПРЕДУПРЕЖДЕНИЕ: Никога не използвайте захват за лява ръка (кръстосани ръце) или каквато и да е поза, която ще постави вашето тяло или ръка над

линията на веригата.

⚠ ПРЕДУПРЕЖДЕНИЕ: Не работете с превключателния спусък с лявата си ръка и дръжте предната ръкохватка с дясната си ръка. Не позволявайте никога част от тялото ви да е в линията на веригата, когато работите с верижния трион (Фиг. L).

ПРОВЕРКА НА СМАЗВАНЕТО НА ВЕРИГАТА (Фиг. M)

БЕЛЕЖКА: Уверете се, че масленият резервоар на верижния трион е пълен с подходящия обем верижно масло.

1. Дръжте водещата шина над светло оцветената повърхност.
2. Включете триона. Ще видите ясна линия на маслото в светло оцветената повърхност след 1 минута, ако смазването на веригата функционира правилно.
3. Ако верижното масло все още не се вижда в светло оцветената повърхност, вижте раздел „РЕГУЛИРАНЕ НА МАСЛЕНИЯ ПОТОК“, за да го регулирате.

РАБОТА В ДЪРВОТО

⚠ ПРЕДУПРЕЖДЕНИЕ: когато работите или се катерите, препоръчваме да използвате допълнителна опора като например стреме, регулируем колан, за да предотвратите люлеене или злополука при рязане.

Преди да го използвате, мола, проверете следните точки:

- Проверете маркировките за износване на **верижното зъбно колело (N-1)**. Ако маркировките за износване са по-дълбоки от 0,5 mm: свържете се със своя сервизен представител на EGO, за да замени верижното зъбно колело.
- Проверете също и спирачната система, ако маркировките на **спирачната накладка (N-2)** са неравномерни, свържете се със своя сервизен представител на EGO, за да замени спирачната накладка. (Фиг. N)

BG

N-1	Верижно зъбно колело	N-2	Спирачна накладка
-----	----------------------	-----	-------------------

- За проверка на водещата шина вижте съответния раздел: **ПОДДРЪЖКА НА ВОДЕЩАТА ШИНА**
- За проверка на веригата на триона вижте съответния раздел: **ПОДДРЪЖКА НА ВЕРИГАТА**
- За тестване на верижната спирачка вижте съответния раздел: **УСТРОЙСТВА ЗА**

БЕЗОПАСНОСТ ПРИ ОТКАТ НА ТОЗИ

ВЕРИЖЕН ТРИОН

- За проверка на средствата за управление вижте съответния раздел: **СТАТИРАНЕ/СПИРАНЕ НА ВЕРИЖНИЯ ТРИОН**
- За проверка на смазването на веригата вижте съответния раздел: **ПРОВЕРКА НА СМАЗВАНЕТО НА ВЕРИГАТА**

ПОДДРЪЖКА

ПОЧИСТВАНЕ

- След всяка употреба почистете натрупванията от веригата и водещата шина с мека четка. Избършете повърхността на верижния трион с мека кърпа навлажнена с мек сапунен разтвор.
- За дълбоко почистване отстранете възела на страничния капак, снемете водещата шина и веригата на триона и след това използвайте века четка, за да отстраните цялостно натрупванията по водещата шина, веригата на триона и задвижващото зъбно колело на захранващата глава на верижния трион.
- Винаги почиствайте дървените стърготини, праха от рязане и мръсотията от жлеба на водещата шина, когато подмените веригата на триона.

ОТСТРАНЕТЕ ПРАХА

1. Извадете щепсела, позволете на верижния трион да се охлади и затегнете капачката на масления резервоар.
2. Задействане на спирачката на триона
3. Използвайте комбинирания ключ (доставен), за да развиете винта на **капака за отстраняване на прах (O-1)**, за да го отворите (Фиг. O1).
4. Почистете праха от рязането и стърготините събрали се в охлаждащите ребра като използвате сух състен въздух, продухайте от срещуположната страна **входа за въздух (O-2)**. (Фиг. O2).

O-1	Капак за отстраняване на прах	O-2	Вход за въздух
-----	-------------------------------	-----	----------------

ПОДДРЪЖКА НА ВОДЕЩАТА ШИНА

Когато водещата шина покаже признаци на износване, демонтирайте я от захранващата глава на верижния трион и я обърнете за повторен монтаж (Фиг. P1), в който случай тя ще разпредели износването за максимален живот на шината.

Шината трябва да бъде почиствана (включително **релсите на шината (P-1)** и **отвора за смазване (P-2)**) при всеки ден в употреба и да бъде проверявана за износване и повреди (Фиг. P2). Изтъняване или изстъргване на релсите на шината е нормален процес на износване на шината. Такива дефекти, трябва да бъдат загладени с пила веднага след като се случат. Шина с някой от следните дефекти трябва да бъде подменена.

Износване от вътрешната страна на релсите на шината, което позволява на веригата да лежи на страни.

- Изкривена водеща шина.
- Напукани или счупени релси.
- Раздалечени релси.

Водещата щанга има зъбно колело на върха си. Верижното зъбно колело трябва да бъде ежедневно смазвано с гресорка за да се удължи живота на водещата шина (Фиг. P3 и P4). Завъртете **зъбното колело на носа (P-3)**, докато изпомпвате **полупрозрачната жълта, полупрозрачна червена или полупрозрачна грес в отвора за смазване (P-4)**, докато по цялото зъбно колело има нова грес. Не вкарвайте замърсявания в отвора.

P-1	Релси на шината	P-3	Верижно зъбно колело
P-2	Отвор за смазване	P-4	Отвор за смазване

ПОДДРЪЖКА НА ВЕРИГАТА

Използвайте единствено вериги със слаб откат за този трион. Тази верига за бързо рязане ще предостави намаляване на отката, когато е правилно поддържана.

Правилно заточена верига за трион, реже без усилие през дървото, дори с много малко усилие. Никога не използвайте затъпена или повредена верига за трион. Затъпените резци на веригата за трион водят до повишено физическо натоварване, увеличено излагане на вибрации, незадоволителни резултати от рязането и повишено износване.

За гладко и бързо рязане, веригата трябва да бъде правилно поддържана. Необходимо е заточване на веригата, когато дървените стърготини са малки и разпраснати, веригата трябва да бъде водена със сила

през дървото по време на рязане или когато веригата реже от едната страна. По време на поддръжка на вашата верига имайте предвид следното:

- Неправилен ъгъл на подаване на страничната пластина, може да увеличи риска от сериозен откат.
- Клиренс на дълбочината на зъбите. Твърде ниско повишава потенциала за откат. Недостатъчно ниско намалява способността за рязане.
- Ако режещите зъби ударят твърд предмет, като пирон или камък или са били изтрети от калта или пясъка по дървото, дайте веригата за заточване на квалифициран сервизен техник.

БЕЛЕЖКА: препоръчва се заточването и поддръжката на **верижния трион** да се извършват от упълномощени сервизни центрове.

ТРАНСПОРТИРАНЕ И СЪХРАНЕНИЕ

- Не оставяйте или транспортирайте верижния трион, когато работи. Винаги изваждайте щепсела преди съхранение или транспортиране.
- Винаги поставяйте капака на водещата шина преди да съхранявате или транспортирате верижния трион. Бъдете внимателни за да избегнете острите зъби на веригата.
- Почистете изцяло верижния трион преди съхраняване. Съхранете верижния трион на закрито, на сухо място, което е заключено и/или недостъпно за деца.
- Пазете я от корозивни препарати като градински химикали и сол за обезледяване.

Опазване на околната среда



WEEE (Отпадъчно електрическо и електронно оборудване) Не изхвърляйте електрическо оборудване, използвана батерия или зарядно устройство в домакинския отпадък! Отнесете продукта до упълномощена фирма за рециклиране и го предоставете за разделно събиране. Електрическите инструменти трябва да бъдат връщани в съоръжения за рециклиране съвместими с околната среда.

ОТСТРАНЯВАНЕ НА ПРОБЛЕМИ

ПРОБЛЕМ	РЕШЕНИЕ ЗА ПРИЧИНАТА	РЕШЕНИЕ
Моторът не стартира.	<ul style="list-style-type: none"> ■ Щепселът на носача на батерията не е свързан към верижния трион. ■ Няма електрически контакт между носача на батерията и батерията. ■ Заклучващото езиче не е завъртяно нагоре. ■ Превключвателят “ON-OFF” (ВКЛ.-ИЗКЛ.) е в позиция “OFF” (ИЗКЛ.). ■ Спирачката за веригата е активирана. 	<ul style="list-style-type: none"> ■ Вкарайте щепсела на носача на батерията във верижния трион. ■ Извадете батерията, проверете контактите и поставете наново акумулаторната батерия. ■ Завъртете нагоре заключващото езиче преди стартиране. ■ Завъртете превключвателя “ON-OFF” (ВКЛ.-ИЗКЛ.) на “ON” (ВКЛ.). ■ Издърпайте спирачната ръкохватка за откат на веригата в посока назад към горната ръкохватка до работната позиция.
Верижният трион спира по време на работа.	<ul style="list-style-type: none"> ■ Акумулаторната батерия или верижният трион са твърде горещи. ■ Верижният трион е претоварен. ■ Твърде много дървени стърготини блокират вентилационния канал. ■ Акумулаторната батерия е изтощена. 	<ul style="list-style-type: none"> ■ Охладете акумулаторната батерия или верижния трион ■ Намалете натоварването. ■ Почистете праха като направите справка с раздел „ОТСТРАНЕТЕ ПРАХА“. ■ Заредете акумулаторната батерия
Спирачката за веригата не се активира.	<ul style="list-style-type: none"> ■ Отпадъците пречат на пълното движение на спирачната ръкохватка за откат на веригата ■ Възможна неизправност на спирачката на веригата. 	<ul style="list-style-type: none"> ■ Почистете отпадъците от външния механизъм на спирачката на веригата ■ Свържете се с обслужване на клиенти на EGO за ремонт.
Няма смазване с масло по време на рязане.	<ul style="list-style-type: none"> ■ Резервоарът за верижно масло е празен. ■ Масленият изход на верижния трион е блокиран ■ Втвърдяване на маслото при ниска температура 	<ul style="list-style-type: none"> ■ Напълнете смазка за шината и веригата. ■ Почистете праха в изходния отвор за маслото. ■ Сменете с подходящо смазочно масло (подходящо за ниски температури)
Индикаторът за ниско ниво на маслото мига в червен цвят или показва необичайна светлина, докато масленият резервоар е пълен с масло.	<ul style="list-style-type: none"> ■ Употреба на машината под определен ъгъл не позволява на маслото в масления резервоар да влезе в маслената тръба. ■ Категорията и цветът на маслото не са препоръчителни. ■ Индикаторът за ниско ниво на маслото още мига в червено. 	<ul style="list-style-type: none"> ■ Поставете на равна повърхност верижния трион и опитайте отново. ■ Използвайте препоръчителното полупрозрачно жълто, полупрозрачно червено или полупрозрачно масло ■ Свържете се с обслужване на клиенти на EGO за ремонт

ПРОБЛЕМ	РЕШЕНИЕ ЗА ПРИЧИНАТА	РЕШЕНИЕ
Индикаторът за ниско ниво на маслото не работи, докато в масления резервоар маслото е свършило.	<ul style="list-style-type: none"> ■ Категорията и цветът на маслото не могат да бъдат идентифицирани. ■ Все още има малко количество масло в масления резервоар или маслената тръба ■ Индикаторът за ниско ниво на маслото все още не работи поради горните причини. 	<ul style="list-style-type: none"> ■ Използвайте препоръчителното полупрозрачно жълто, полупрозрачно червено или полупрозрачно масло ■ Използвайте верижния трион за малко и след това погледнете отново индикатора за ниско ниво на маслото ■ Свържете се с обслужване на клиенти на EGO за ремонт.

ГАРАНЦИЯ

ГАРАНЦИОННА ПОЛИТИКА EGO

Моля, посетете уебсайта egopowerplus.eu за пълните срокове и условия по гаранционната политика на EGO.

PROČITAJTE UPUTE U CIJELOSTI



PROČITAJTE PRIRUČNIK ZA RUKOVATELJE

SIMBOL O SIGURNOSTI

Svrha simbola o sigurnosti je skretanje pozornosti na moguće opasnosti. Simboli o sigurnosti i njihova objašnjenja zahtijevaju vašu potpunu pozornost i razumijevanje. Simboli upozorenja ne isključuju opasnost sami po sebi. Upute i upozorenja koja pružaju nisu zamjena za propisne mjere zaštite od nezgode.

⚠ UPOZORENJE: Prije korištenja ovog alata, s razumijevanjem pročitajte sve sigurnosne upute u ovom priručniku za rukovatelja, uključujući sve sigurnosne simbole kao što su „OPASNOST“, „UPOZORENJE“ i „OPREZ“. Zanemarivanje uputa navedenih u nastavku može rezultirati električnim udarom, požarom i/ili teškim tjelesnim ozljedama.

ZNAČENJE SIMBOLA

Na ovoj stranici slikovno su prikazani i objašnjeni simboli sigurnosti koji se mogu pojaviti na ovom proizvodu. Prije sastavljanja i rukovanja, s razumijevanjem pročitajte sve upute na stroju i pridržavajte ih se.

SIMBOLI O SIGURNOSTI



Upozorenje u vezi sigurnosti



Nosite rukavice za teške uvjete rada koje su izrađene od izdržljivog materijala



Nosite sigurnosnu protukliznu obuću



Vodite računa o mogućem povratnom udarcu - dodir vrha vodilice pile s bilo kojim predmetom mora se izbjegavati



Povratni udarac vrha vodilice - dodir vrha vodilice može dovesti do naglog pomicanja pile prema gore ili prema dolje, što može dovesti do ozbiljne ozljede.



Ovaj proizvod sukladan je važećim zakonima u UK.



Zajamčena razina snage zvuka.



Ovaj proizvod je u skladu s važećim direktivama EU.

IPX5 Zaštita od mlaza vode



Radi smanjenja opasnosti od ozljeda, prije uporabe ovog proizvoda korisnik treba s razumijevanjem pročitati ovaj korisnički priručnik.



Nosite odjeću koja po mjeri za vas. Nemojte nositi šal, kravatu ili nakit.



Nosite sigurnosne naočale po mjeri, čepove za uši ili štitičke za uši i zaštitnu kacigu s remenom za vezanje ispod brade.



Držanje s dvije ruke - lančanu pilu upotrebljavajte s pomoću dvije ruke.



Podaci o vodilici



Otpadni električni proizvodi ne smiju se odlagati s otpadom iz kućanstva. Odnosite ih u ovlaštenu centar za recikliranje.



V Volt

— — — Istosmjerna struja

HR

TEHNIČKI PODACI

Napon	56 V
Preporučena radna temperatura:	-15°C-40°C
Preporučena temperatura skladištenja:	-40°C-70°C
Optimalna temperatura punjenja	5°C-40°C
Duljina reza	300mm
Brzina lanca	20m/s
Debljina lanca	3/8" (9,5mm)
Debljina karike lanca	1,1 mm
Tip lanca pile	AC1200 (preporučuje se) AC1400/AC1401 (kompatibilan) AC1600/AC1601 (kompatibilan)
Tip vodilice	AG1200 (preporučuje se) AG1400/AG1401 (kompatibilna) AG1600/AG1601 (kompatibilna)
Korak lanca	3/8" (9,5 mm)
Kalibar lanca	1,1 mm
Propisani broj zuba pogonskog lančanika	6
Volumen spremnika za ulje lanca	250 ml
Težina (bez baterijskog modula, navlaka za lanac)	3,5 kg
Izmjerena razina zvučne snage L_{WA}	98,8 dB(A) K=3 dB(A)
Razina zvučnog tlaka ne mjestu rada L_{PA}	88,1 dB(A) K=3 dB(A)
Zajamčena razina zvučne snage L_{WA} (izmjereno u skladu s 2000/14/EZ)	102dB(A)

Vibracija a_h	Prednja drška	1,73 m/s ² K= 1,5 m/s
	Glavna drška	2,21 m/s ² K= 1,5 m/s

- Deklarirane ukupne vrijednosti vibracija izmjerene su u skladu sa standardnom metodom ispitivanja i mogu se koristiti za usporedbu jednog alata sa drugim.
- Deklarirane ukupne vrijednosti vibracija mogu se koristiti i u preliminarnoj procjeni izloženosti.

OBAVIJEST: Emisija vibracija tijekom aktualnog korištenja električnog alata može se razlikovati od deklarirane vrijednosti u kojoj se alat koristio; Radi zaštite rukovatelja korisnik treba nositi rukavice i štitnike za uši u aktualnim uvjetima korištenja.

OPIS

UPOZNAJTE SE S LANČANOM PILOM (sl. A1)

- Lanac pile
- Ručica kočnice povratnog udara
- Jezičak za fiksiranje
- Glavna drška
- Okidač s regulacijom brzine
- Ušica
- Indikator baterije
- Indikator niske razine ulja
- Prednja drška
- Čep spremnika s uljem
- Vodilica
- Otvor za podmazivanje
- Lančanik
- Vijak za zatezanje
- Sigurnosna sklopka za uključivanje/isključivanje
- Vijak vodilice
- Matica vodilice
- Sklop bočnog poklopca
- Poklopac vijka za podešavanje protoka ulja
- Poklopac za uklanjanje prašine
- Mehanizam za izbacivanje
- Električni kontakti
- Gumb za oslobađanje baterije
- Kuka za remen
- Kopča
- Remen
- Štrop
- Prsten 1
- Kuka pile
- Električni utikač
- Prsten 2
- Zaštitna navlaka za lanac

33. Kombinirani ključ

SADRŽAJ PAKIRANJA (SL. A1)

SASTAVLJANJE


MONTAŽA/DEMONTAŽA VODILICE I LANCA

⚠ UPOZORENJE: Obavezno odvojite električni utikač i navucite zaštitne rukavice prije montaže ili održavanja proizvoda.

⚠ UPOZORENJE: Pročitajte sva upozorenja, upute, ilustracije u vezi sigurnosti i tehničke podatke isporučene s ovim električnim alatom. Zanemarivanje svih uputa navedenih u nastavku može rezultirati strujnim udarom, požarom i/ili teškim ozljedama.

⚠ UPOZORENJE: pazite da naručite vodilicu i lanac koji su navedeni u ovom priručniku. U protivnom može doći do ozbiljne ozljede.

Sačuvajte sva upozorenja i sve upute za buduće potrebe.

- Pazite da ručica kočnice povratnog udarca bude u položaju .
- Odvrnite maticu vodilice (A-17) ulijevo kako biste skinuli sklop bočnog poklopca (A-18).
- Lanac pile položite kružno na ravnu površinu i ispravite eventualne pregibe. (Sl. B1)
- Stavite pogonske karike (B-1) lanca u žlijeb vodilice (B-2) tako da se na stražnjoj strani vodilice napravi petlja. (Sl. B2)
- Držite lanac u položaju na vodilici i stavite petlju oko lančanika lanca (B-3) pogonske glave i provjerite sljedeće (sl. B3):
 - Pogonske karike lanca leže u zubima lančanika lanca (B-3).
 - Vijak za zatezanje (B-4) i vijak za vođenje (B-5) nalazi se u utoru vodilice. Zatik za zatezanje (B-6) nalazi se u rupi vodilice.

OBAVIJEST: Pazite da smjer strelica na zubima lančane pile bude okrenut prema naprijed (Sl. B3).

- Pogledajte odjeljak „ZATEZANJE LANČANE PILE“ kako biste bili sigurni da je lanac propisno montiran i da ne zapinje.
- Poravnajte dvije šipke za vođenje (B-7) sklopa bočnog poklopca s odgovarajućim rupama (B-8) na pili, zatim montirajte sklop bočnog poklopca. (Sl. B4)
- Stegnite maticu vodilice.

B-1	Pogonske karike	B-5	Vijak vodilice
B-2	Žlijeb	B-6	Zatik za zatezanje

B-3	Lančanik lanca	B-7	Vodeće šipke
B-4	Vijak za zatezanje	B-8	Rupe

OBAVIJEST: Ako je vodilicu treba zamijeniti, skinite sklop bočnog poklopca i ponovno je montirajte s novom vodilicom kako je prikazano na sl. C.

RAD

Prije svake upotrebe, pregledajte cijeli proizvod i da na njemu nema izgubljenih ili olabavljenih dijelova kao što su vijci, matice, svornjaci itd. Čvrsto stegnite sve vijke i čepove i nemojte upotrebljavati proizvod dok ne zamijenite sve dijelove koji nedostaju ili su oštećeni.

⚠ UPOZORENJE: neki nacionalni propisi mogu ograničiti upotrebu stroja.

⚠ UPOZORENJE: kada ste umorni, bolesni ili pod utjecajem alkohola ili drugih opijata, nemojte raditi sa strojem.

NAPOMENA: ako je stroj izvan kontrole, poput povratnog udarca, odmah isključite napajanje.

PRIMJENA

Proizvod se smije upotrebljavati na kiši.

- Ova lančana pila predviđena je za rezove u drvetu i održavanje.



Pilu smiju upotrebljavati samo osobe koje su posebno obučene za radove održavanja.

OBAVIJEST: Preporuka za korisnika koji prvi put koristi ovaj uređaj – debla režite na konju za piljenje ili ležištu.

ZATEZANJE LANCA PILE

⚠ UPOZORENJE: Nemojte dodirivati ili podešavati lanac dok motor radi. Lanac pile vrlo je oštar; pri obavljanju radova održavanja na lancu obavezno nosite zaštitne rukavice.

Lanac pile se za vrijeme normalnog rada širi i skuplja. Posljedica toga je promjena napetosti lanca. Redovito provjeravajte napetost lanca i po potrebi ju podesite.

- Isključite lančanu pilu, aktivirajte kočnicu lanca i odvojite električni utikač.
- Otpustite maticu vodilice tako da se vodilica može pomicati slobodno radi budućeg podešavanja.
- Vrh vodilice pile držite gore i podešavajte vijak za podešavanje napetosti dok ne postignete sljedeće:
 - Provjes pile u sredini vodilice treba biti oko: 1 - 2 mm (Sl. D).
 - Deaktivirajte kočnicu lanca i provjerite da se lanac može vući s dva prsta duž vodilice.

OBAVIJEST: Pažljivo provedite ovaj korak kako biste izbjegli tjelesne ozljede. Budući da istosmjerni motor sadrži magnetski materijal, osjetit ćete određeni otpor pri povlačenju lanca s dva prsta u usporedbi s klasičnom benzinskom pilom. Povlačenje neće teći glatko kao kod benzinske pile.

4. Podignite vrh vodilice gore i zategnite maticu vodilice.

OBAVIJEST: Ako je provjes lanca na sredini vodilice nije 1 - 2 mm, podesite napetost lanca.

PUNJENJE SPREMNIKA ZA ULJE

1. Odvojite baterijski modul od lančane pile.
2. Položite lančanu pilu na bočnu stranu, na čvrstu i ravnu površinu tako da čep spremnika za ulje bude okrenut gore. Otvorite čep spremnika s uljem. Ako je prejako zategnut, učinite to odgovarajućim viličastim ključem (koji je isporučen) (sl. E).
3. Pažljivo ulijte ulje u spremnik za ulje. Napunite do donjeg ruba vrata uljevnika. Obrišite višak ulja i zatvorite čep spremnika ulja.

OBAVIJEST:

- Lančana pila nije napunjena uljem u vrijeme kupnje. Spremnik je prije uporabe potrebno napuniti uljem. Tijekom rada, lanac se automatski podmazuje uljem za lanac.
- To ulje posebno je koncipirano za malo trenje i brže rezove.
- Nemojte upotrebljavati ulje i druga maziva koja nisu konkretno predviđena za upotrebu na vodilici i lancu. To može dovesti do začepljenja sustava za ulje što može dovesti do ubrzanog trošenja vodilice i lanca.

PODEŠAVANJE PROTOKA ULJA (SI. F)

- Pila je opremljena vijkom za podešavanje protoka ulja (F-1) koji se nalazi na donjem dijelu alata i upotrebljava se za podešavanje protoka ulja za podmazivanje lanca, vodilice i sustava za rezanje. Podešavanje i smanjivanje protoka ulja vrši se u skladu sa smjerovima strelica na kućištu.

LED INDIKATOR NA LANČANOJ PILI

Lančana pila opremljena s 2 LED indikatora koji označavaju stanje ulja i razinu napunjenosti baterijskog modula.

LED indikator	Značenje	Radnja
---------------	----------	--------

Indikator niske razine ulja (A-8)	Trepće crveno	Manjak ulja	Napunite spremnik za ulje
	Isključen	Ulja ima dovoljno	/
Indikator baterije (A-7)	Svijetli zeleno	Baterijski modul je napunjen	/
	Trepće zeleno	Baterijski modul skoro je ispražnjen i potrebno ga je odmah napuniti.	Napunite bateriju

PRIČVRŠČIVANJE DRŽAČA BATERIJE NA UPRTAČE ZA PENJANJE

Lančana pila dolazi s držačem baterije koji se upotrebljava za nošenje baterijskog modula i omogućuje pričvršćivanje baterijskog modula na uprtache za penjanje (nisu isporučeni).

OBAVIJEST: Čvrsto pričvrstite držač baterije na uprtache za penjanje prije zakopčavanja uprtacha za penjanje.

⚠ UPOZORENJE: potrebno je pripremiti uprtache za uspinjanje s funkcijom brzog oslobađanja radi prevencije u hitnim stanjima.

1. Potražite poželjno mjesto za pričvršćivanje držača baterije na uprtache za penjanje, zakvačite držač baterije na uprtache za penjanje s pomoću **kuke za remen (G-1)**. (Sl. G1)
2. Omotajte remen oko uprtacha za penjanje kako biste držač baterije učvrstili ne njegovom mjestu (Sl. G2 i G3).
3. Pričvrstite dva **prstena (G-2)** sigurnosnog štopa na uprtache za penjanje s pomoću dva karabina (ne isporučuju se), kako je prikazano na Sl. G4.

G-1	Kuka za remen	G-2	Prsteni
-----	---------------	-----	---------

OBAVIJEST:

- Prilikom penjanja na drvo, pričvrstite prsten 1 i 2 sigurnosnog štopa na uprtache za penjanje s pomoću karabina (ne isporučuju se) (Sl. G5)
- Kada se alat upotrebljava, odvojite prsten 2 od uprtacha za penjanje, držite pilu s dvije ruke kako biste izveli rez (Sl. G6).

PRIČVRŠČIVANJE PILE NA DRŽAČ BATERIJE

Pričvrstite **kuku pila (H-2)** sigurnosnog štopa na **ušicu (H-1)**. (Sl. H)

H-1	ušica	H-2	kuka pile
-----	-------	-----	-----------

UGRADNJA/UKLANJANJE BATERIJSKOG MODULA

OBAVIJEST: Komplet baterija napunite do kraja prije prve uporabe.

Ugradnja (sl. I1)

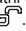
Utere za ugradnju centrirajte s rebrima na baterijskom modulu i zatim gurajte baterijski modul sve dok ne uskoči na svoje mjesto.

Uklanjanje (Sl. I2)

Pritisnite gumb za oslobađanje baterije kako biste izvukli baterijski modul.

POKRETANJE/ZAUSTAVLJANJE LANČANE PILE

Pokretanje

- Centrirajte oznake "▲" na **električnom utikaču (J-2)** i na **električnom utikaču lančane pile (J-1)**, zatim utaknite utikač u lančanu pilu tako da ZELENA brtva na utikači POTPUNO nestane u utičnici (Sl. J1).
- Pritisnite sklopku za UKLJUČIVANJE/ ISKLJUČIVANJE u položaj „UKLJUČENO“ (Sl. J2).
- Ručicu kočnice za povratni udar lanca povucite prema glavnoj dršci u položaj .
- Pomaknite **jezičak za fiksiranje (J-3)** prema naprijed i zatim **okidač s regulacijom brzine (J-4)**. Što više povlačite okidač s regulacijom brzine, to će biti veća brzina vrtnje lančane pile (Sl. J3).

J-1	Električna utičnica	J-3	Jezičak za fiksiranje
J-2	Električni utikač	J-4	Okidač s regulacijom brzine

Zaustavljanje

- Otpustite okidač s regulacijom brzine ako želite zaustaviti rad lančane pile.

OBAVIJEST: Lančana pila će se nastaviti okretati još kratko vrijeme nakon otpuštanja okidača s regulacijom brzine. Pazite da nakon otpuštanja okidača s regulacijom brzine i odlaganja lančane pile ne dođete u kontakt s lančanom pilom.

- Pritisnite naprijed ručicu kočnice za povratni udarac u položaj "☹".
- Isključite sklopku za UKLJUČIVANJE/ ISKLJUČIVANJE u položaj „OFF“.

⚠ UPOZORENJE: Za vrijeme prekida rada i nakon završetka rada, iskopčajte električni utikač pile.

PRIPREMA ZA REZANJE

Propisno držanje na drškama (Sl. K)

- Za maksimalni prihvat i zaštitu nosite neklizajuće rukavice.
- Prednju dršku uhvatite lijevom rukom, a glavnu dršku uhvatite desnom rukom.

- Prsti moraju okružiti dršku i palac mora biti podvinut ispod prednje drške.

⚠ UPOZORENJE: Ne koristite lijevoručni rukohvat (s križanjem ruku) ili bilo koji položaj u kojemu će tijelo ili ruka prijeći preko crte lanca.

⚠ UPOZORENJE: Nemojte pritiskati okidačku sklopku lijevom rukom i prednju dršku držite desnom rukom. Pazite da za vrijeme rada s pilom nijedan dio tijela ne dođe u pravac kretanja lanca (Sl. L).

PROVJERA PODMAZIVANJA LANCA (Sl. M)

OBAVIJEST: Pazite da spremnik lančane pile za ulje bude napunjen propisanom količinom ulja za lanac.

- Držite vodilicu iznad svijetlo obojene površine.
- Uključite pilu. Vidjet ćete prozirnu crtu ulja na svijetlo obojenoj površini nakon 1 minute ako podmazivanje lanca radi kako treba.
- Ako se ulje lanca ne još ne vidi na svijetlo obojenoj površini, pogledajte „podešavanje protoka ulja“ radi podešavanja.

UPOTREBA U DRVETU

⚠ UPOZORENJE: kada radite ili se penjete, preporučuje se da koristite dodatni oslonac kao što je stremen za stopalo, podesivo sigurnosno uže kako ne bi došlo do ljuljanja ili nezgode s posjeklinom.

Prije upotrebe, provjerite sljedeće:

- Provjerite oznake istrošenosti na **lančaniku lanca (N-1)**, ako su oznake istrošenosti dublje od 0,5 mm, obratite se serviseru tvrtke EGO radi zamjene lančanika lanca.
- Također, provjerite sustav kočenja, ako su **oznake na oblogama kočnice (N-2)** nejednake, obratite se serviseru tvrtke EGO radi obvezne zamjene obloge kočnice. (Sl. N)

N-1	Lančanik lanca	N-2	Obloga kočnice
-----	----------------	-----	----------------

- Provjerite vodilicu lanca u odgovarajućem odjeljku: **ODRŽAVANJE VODILICE**
- Provjerite lanac pile u sljedećem odjeljku: **ODRŽAVANJE LANCA**
- Ispitajte kočnicu lanca u odgovarajućem odjeljku: **SIGURNOSNI UREĐAJI ZA ZAŠTITU OD POVRATNOG UDARCA**

NA OVOJ LANČANOJ PILI

- Provjerite upravljačke dijelove u sljedećem odjeljku: **POKRETANJE/ZAUSTAVLJANJE LANČANE PILE**
- Provjerite podmazivanje lanca u sljedećem odjeljku: **PROVJERA PODMAZIVANJA LANCA**

ODRŽAVANJE

ČIŠĆENJE

- Nakon svake uporabe, mekanom četkom očistite naslage s lanca i vodilice. Površinu lančane pile obrišite čistom krpom navlaženom u blagoj sapunici.
- Prilikom dubinskog čišćenja, uklonite sklop poklopca, skinite vodilicu i lanac pile i zatim mekom četkom temeljito odstranite ostatke s vodilice, lanca pile i pogonskog lančanika na pogonskoj glavi lančane pile.
- Pri zamjeni lanca pile iz žlijeba vodilice uvijek očistite drvno iverje, prašinu od pile i nečistoću.

UKLANJANJE PRAŠINE

1. Odvojite električni utikač, pričekajte da se lančana pila ohladi i zatim pritegnite čep spremnika ulja.
2. Aktivirajte kočnicu pile.
3. Kombiniranim viličastim ključem (isporučeno) otpustite vijak **poklopca za uklanjanje prašine (O-1)** kako biste ga otvorili (Sl. O1).
4. Očistite prašinu pile i strugotine koje se nakupljaju na rebriima za hlađenje komprimiranim zrakom, ispušite ih sa suprotne strane **otvora za ulaz zraka (O-2)**. (Sl. O2).

O-1	Poklopac za uklanjanje prašine	O-2	Ulaz za zrak
-----	--------------------------------	-----	--------------

ODRŽAVANJE VODILICE

Kada se na vodilici pojave znakovi istrošenosti, skinite je s pogonske glave lančane pile i okrenite je naopako za ponovno postavljanje (Sl. P1), čime ćete raspodijeliti trošenje radi maksimalnog radnog vijeka vodilice.

Vodilicu je potrebno čistiti, uključujući **vodilice pile (P-1)** i **otvor za podmazivanje (P-2)** svaki dan kada se upotrebljava i provjeriti da nema znakova istrošenosti i oštećenja (Sl. P2). Stanjivanje vodilice ili pojava oštrih rubova normalan je proces pri trošenju vodilice. Takvi nedostaci mogu se izravnati turpijom čim se pojave. Vodilica s bilo kojim od sljedećih nedostataka mora se odmah zamijeniti.

Istrošenost unutar vodilica koja omogućuje klizanje lanca po bočnim stranicama.

- Savijena vodilica.
- Napuknute ili polomljene vodilice.
- Raširene vodilice.

Vodilica na vrhu ima lančanik. Lančanik se mora svakog tjedna podmazivati mazalicom radi produženja radnog vijeka vodilice (sl. P3 i P4). Okrećite **prednji lančanik (P-3)** za vrijeme pumpanja **prozirno žute, prozorno crvene ili prozirne masti u otvor za podmazivanje (P-4)** sve dok nova mast ne bude na cijelom lančaniku. Nemojte gurati prljavštinu u rupu.

P-1	Vodilice pile	P-3	Lančanik
P-2	Otvor za podmazivanje	P-4	Otvor za podmazivanje

ODRŽAVANJE LANCA

Na ovoj pili koristite samo lance s niskom silom povratnog udara. Kada se propisno montira, ovaj brzorezni lanac osigurat će smanjenu silu povratnog udara.

Propisno naoštren lanac pile reže drvo bez napora čak i uz vrlo mali pritisak. Ne upotrebljavajte oštećen ili zatupljen lanac pile. Zatupljena oštrica lanca pile dovodi do povećanja fizičkog naprezanja, povećanih vibracija, loših rezultata rezanja i povećanog habanja.

Propisno održavanje lanca osigurat će lako i brzo rezanje. Lanac treba naoštriti kada je strugotina drveta mala i praškasta, kada se lanac mora forsirati pri rezu kroz drvo ili kada lanac reže samo na jednoj strani. Za vrijeme održavanja lanca vodite računa o sljedećem:

- Nepropropisni kut punjenja bočne ploče može povećati rizik od jakog povratnog udara.
- Zazor mjeraca dubine. Premali razmak povećava mogućnost povratnog udara. Ako nije dovoljno mali razmak, smanjuje se sposobnost rezanja.
- Ako rezni zub udari u tvrdi predmet kao što je čavao ili kamen ili je oštećen blatom ili pijeskom na drvetu, odnesite lanac kvalificiranom serviseru na oštrenje.

OBAVIJEST: preporučuje se da oštrenje i održavanje lanca pile prepustite samo ovlaštenim servisnim centrima.

TRANSPORT I SKLADIŠTENJE

- Lančanu pilu ne skladištite i ne transportirajte kada radi. Prije skladištenja ili transporta obavezno odvojite električni utikač.
- Prije skladištenja ili transporta priključka lančane pile na vodilicu i lanac navucite zaštitnu navlaku. Budite oprezni kako biste izbjegli oštre zube lanca.
- Lančanu pilu dobro očistite prije skladištenja. Lančanu pilu pohranite na suhom mjestu koje je zaključano i nije dostupno djeci.
- Držite dalje od korozivnih sredstava kao što su vrtno kemikalije i soli za odleđivanje.

Zaštita okoliša



OEEO (Otpadna električna i elektronička oprema) Električnu opremu, iskorištenu bateriju i punjač nemojte odlagati u otpad iz kućanstva! Ovaj proizvod odnesite u ovlašteni centar za reciklažu i time omogućite odvojeno sakupljanje. Električne alate potrebno je vratiti u ekološki prihvatljiv pogon za reciklažu.

OTKLANJANJE SMETNJI

PROBLEM	UZROK	RJEŠENJE
Motor se ne pokreće.	<ul style="list-style-type: none"> ■ Električni utikač držača baterije nije pričvršćen na lančanu pilu. ■ Nema električnog kontakta između držača baterije i baterije. ■ Jezičak za fiksiranje nije preklopljen gore. ■ Sklopka za „UKLJUČIVANJE/ ISKLJUČIVANJE” nalazi se u položaju „OFF”. ■ Kočnica lanca je aktivirana. 	<ul style="list-style-type: none"> ■ Električni utikač držača baterije ukopčajte u lančanu pilu. ■ Odvojite bateriju, provjerite kontakte i ponovno stavite baterijski modul. ■ Preklopite jezičak za fiksiranje prema gore prije početka rada. ■ Okrenite sklopku za „UKLJUČIVANJE/ ISKLJUČIVANJE” u položaj „ON”. ■ Ručicu kočnice lanca za povratni udar povucite natrag prema gornjem rukohvatu u radni položaj.
Lančana pila prestaje raditi tijekom rada.	<ul style="list-style-type: none"> ■ Baterijski modul ili pila su prevrući. ■ Lančana pila je preopterećena. ■ Previše komadića drveta začepilo je kanal za ventilaciju. ■ Baterijski modul je ispražnjen. 	<ul style="list-style-type: none"> ■ Ohladite baterijski modul ili lančanu pilu ■ Smanjite opterećenje. ■ Očistite prašinu, pogledajte poglavlje “UKLANJANJE PRAŠINE”. ■ Napunite baterijski modul
Kočnica lanca ne ulazi u zahvat	<ul style="list-style-type: none"> ■ Otpad onemogućuje puni hod drške kočnice povratnog udarca lanca ■ Moguća neispravnost kočnice lanca 	<ul style="list-style-type: none"> ■ Očistite otpad s vanjskog mehanizma kočnice lanca ■ Za popravak se obratite centru korisničke službe proizvođača EGO.
Nema ulja za podmazivanje za vrijeme rezanja.	<ul style="list-style-type: none"> ■ Spremnik ulja za lanac prazan je. ■ Izlaz za ulje vodilice lanca je začepljen. ■ Zgušnjavanje ulja na niskim temperaturama 	<ul style="list-style-type: none"> ■ Dopunite mazivo za vodilicu i lanac. ■ Očistite prašinu s izlaza za ulje. ■ Upotrijebite propisano ulje za podmazivanje (primjereno za niske temperature)
Trepće crveni indikator niske razine ulja ili se prikazuje svjetlo nepravilnosti za vrijeme punjenja spremnika uljem.	<ul style="list-style-type: none"> ■ Upotreba stroja pod posebnim kutom dovodi do toga da ulje u spremniku ulja ne ulazi u cijev za ulje. ■ Kategorija i boje ulja koja nije preporučena. ■ Indikator niske razine još uvijek trepće. 	<ul style="list-style-type: none"> ■ Odložite lančanu pilu na ravnu površinu i pokušajte opet. ■ Upotrijebite preporučeno prozirno žutom, prozirno crveno ili prozirno ulje. ■ Za popravak se obratite centru korisničke službe proizvođača EGO
Indikator niske razine ulja ne radi kada je u spremniku smanjena količina ulja.	<ul style="list-style-type: none"> ■ Kategorija i boje ulja ne može se prepoznati. ■ U spremniku za ulje ili u cijevi za ulje postoji mala količina ulja ■ Indikator niske razine ulja i dalje ne radi zbog gore navedenih uzroka. 	<ul style="list-style-type: none"> ■ Upotrijebite preporučeno prozirno žutom, prozirno crveno ili prozirno ulje. ■ Nakratko pokrenite lančanu pilu i zatim opet provjerite indikator niske razine ulja. ■ Za popravak se obratite centru korisničke službe proizvođača EGO.

HR JAMSTVO

JAMSTVENA POLITIKA PROIZVOĐAČA EGO

Cjelokupne uvjete i odredbe jamstvene politike proizvođača EGO potražite na internetskoj stranici egopowerplus.eu.

სრულად გაეცანით ინსტრუქციას!



გაეცანით მომხმარებლის ინსტრუქციას

უსაფრთხოების წესის სიმბოლოები

უსაფრთხოების წესის სიმბოლოების მიზანია მიაქციოთ ყურადღება შესაძლო საფრთხეებს. ყურადღებით გაეცანით და შეისწავლეთ უსაფრთხოების წესის სიმბოლოები და მათი შესაბამისი განმარტებები. უსაფრთხოების წესის სიმბოლოების მინიშნებები თავისთავად არ ანიჭებენ რაიმე საფრთხის არსებობის რისკს. მათ მიერ მოწოდებულ ინსტრუქციებზე და გაფრთხილებებზე არ არიან შემთხვევის თავიდან აცილების სწორი პროცედურის შემცველობები.

▲ გაფრთხილება: ხელსაწყო გამოყენებამდე დაწვრილებით გაეცანით და შეისწავლეთ ყველა უსაფრთხოების წესი ოპერატორის ამ ინსტრუქციაში, მათ შორის ყველა უსაფრთხოების წესის სიმბოლო „სამშრომელა“, „გაფრთხილება“ და „ყურადღება“. ქვემოთ ჩამოთვლილი ყველა ინსტრუქციის უსაფრთხოების შესაძლო გამოიწვევის ელექტრო შოკი, ხანძარი და/ან მოგაყენოთ სხეულის სერიოზული ტრავმა.

სიმბოლოების მნიშვნელობა

ეს გვერდი აჩვენებს და აღწერს იმ უსაფრთხოების წესის სიმბოლოებს, რომლებიც შესაძლოა აღბეჭდილია მოცემულ პროდუქტზე. წაიკითხეთ, შეისწავლეთ და მიეცეთ ხელსაწყო ყველა ინსტრუქციას მის აწყობამდე და ჩართვამდე.

უსაფრთხოების წესის სიმბოლოები



უსაფრთხოების გაფრთხილება



დაზიანების რისკის შესამცირებლად, მომხმარებელმა უნდა წაიკითხოს და გაიკოს ხელსაწყო მუშაობის ინსტრუქცია, მის გამოყენებამდე.



ჩაიცვით გამძლე მასალისგან დამზადებული სამუშაო ხელთათმანები.



ჩაიცვით მჭიდროდ მორგებული ტანსაცმელი. არ ატაროთ შარვი, ჰალსტუხი ან სამკაულები



ჩაიცვით მოცურების საწინააღმდეგო ლანჩის მქონე უსაფრთხოების დამცავი ფეხსაცმელი



გაიკეთეთ მჭიდროდ მორგებული უსაფრთხოების სათვალე, სმენის დამხმობი ან სმენის დამცავი ყურსასმენი და მყარი უსაფრთხოების ჩაფხუტი ნიკაპზე მორგებული თასმით.



ერიდეთ ხერხის უკუქმვას - მოერიდეთ ძელის წვეტის შეხებას სხვა საგანთან.



ორი ხელით დაიჭირეთ ხერხი - გამოიყენეთ ორივე ხელი ჯაჭვური ხერხით სარგებლობისას.



ხერხის ძელის წვეტიდან უკუქმვა - სხვა საგანთან წვეტის შეხებამ შესაძლოა გამოიწვიოს ძელის უცაბედი მოძრაობა ზევით ან ქვევით, რამაც შეიძლება მოგაყენოთ სერიოზული ზიანი.



ინფორმაცია ხერხის ძელზე.



ეს პროდუქტი შეესაბამება დიდი ბრიტანეთის მოქმედ კანონმდებლობას.



ელექტრო ხელსაწყოების უტილიზაცია არ უნდა მოხდეს საყოფაცხოვრებო ნარჩენებთან ერთად. წაიღეთ ხელსაწყო ავტორიზებულ ნარჩენების გადამამუშავებელთან.



გარანტირებული ხმის სიმძლავრის დონე.

V

ვოლტი



ხელსაწყო შეესაბამება ევროკავშირის მიერ წამოყენებულ რეგულაციებს.




მუდმივი დენი

IPX5

წყლის ჭავლისგან დაცვა

KA

სპეციფიკაციები

ძაბვა	56 ვოლტი 
რეკომენდირებული საექსპლუატაციო ტემპერატურა:	-15°C-40°C
რეკომენდირებული დასაწყობების ტემპერატურა:	40°C-70°C
ოპტიმალური დამუხტვის ტემპერატურა	5°C-40°C
ჭრის სიგრძე	300 მმ
ჯაჭვის სიჩქარე	20 მ/წმ
ჯაჭვის ბოჯი	3/8" (9.5 მმ)
ჯაჭვის სისქე	1.1 მმ
ხერხის ჯაჭვის ტიპი	AC1200 (რეკომენდირებული) AC1400/AC1401 (თავსებადი) AC1600/AC1601 (თავსებადი)
ძელის ტიპი	AG1200 (რეკომენდირებული) AG1400/AG1401 (თავსებადი) AG1600/AG1601 (თავსებადი)
ჯაჭვის ბოჯი	3/8" (9.5 მმ)
ჯაჭვის კალიბრი	1.1 მმ
ამბრავი ვარსკვლავას კბილების მითითებული რაოდენობა	6
ჯაჭვის ზეთის ავზის ტევადობა/მოცულობა	250 მლ
წონა (აკუმულატორისა და ჯაჭვის შალითას გარეშე)	3.5 კგ
გაზომილი ხმის სიმძლავრის დონე L_{WA}	98.8 დბ(A) K=3 დბ(A)
ბგერის წწევის დონე მომხმარებლის პოზიციაზე L_{PA}	88.1 დბ(A) K=3 დბ(A)
გარანტირებული ხმის სიმძლავრის დონე L_{WA} (2000/14/EC რეგულაციის მიხედვით)	102 დბ(A)

ვიბრაცია a_h	წინა სახელური	1.73 მ/წმ ² K=1.5 მ/წმ
	მთავარი სახელური	2.21 მ/წმ ² K=1.5 მ/წმ

- მითითებული ვიბრაციის სრული მნიშვნელობა გაზომილია სტანდარტული ტესტირების მეთოდით და შესაძლოა გამოყენებულ იქნას ერთი ხელსაწყოს მეორესთან შედარებისას.
- მითითებული ვიბრაციის სრული მნიშვნელობა ასევე შესაძლოა გამოყენებულ იქნას ზემოქმედების პირველადი შეფასებისას.

შენიშვნა: ელექტრული ხელსაწყო ვიბრაციის ემისია გამოყენებისას შესაძლოა განსხვავდებოდეს მითითებული ოდენობისგან; მომხმარებელმა ხელსაწყოთი სარგებლობისას საჭიროა გამოიყენოს ხელთათმანები და ყურის დამცავი საშუალებები.

აღწერა

შესწავლეთ თქვენი ჯაჭვური ხერხი (ნახ. A1)

1. ხერხის ჯაჭვი
2. ხერხის უკუცემის მუხრუჭის ლაფოტი
3. ჩამკეტი ენაკი
4. მთავარი სახელური
5. ტრიგერი სიჩქარის რეგულირებით
6. ხერხელი
7. აკუმულატორის ინდიკატორი
8. ზეთის ინდიკატორი
9. წინა სახელური
10. ზეთის საცავის ხუფი
11. ხერხის ძელი
12. შესაზეთი ნასვრეტი
13. კბილანა
14. დამჭიმავი ხრახნი
15. ჩართვა-გათიშვის უსაფრთხის დილაკი
16. ძელის ჭანჭიკი
17. ძელის ქანჩი
18. გვერდითა ხუფი
19. ზეთის მიწოდების რეგულირების ჩანჭიკის ხუფი
20. მტერის მოსაცილებელი ხუფი
21. ამოგდების მექანიზმი
22. ელექტრო კონტაქტები
23. აკუმულატორის მოხსნის დილაკი
24. ღვედის სამაგრი
25. ღვედის ბალთა
26. ღვედი
27. ელექტროსადენის შალითა

KA

28. რგოლი #1
29. ხერხის კაუჭი
30. ელექტრო ჩანგალი
31. რგოლი #2
32. ჯაჭვის შალითა
33. კომბინირებული ქანჩის გასაღები

შეფუთვის ჩამონათვალი (სურ. A1)

აწყობა

ძელის და ჯაჭვის დამაგრების/მოხსნის წესი

▲ გაფრთხილება: ყოველთვის ამორთეთ დენის ჩანგალი, ციაცვით დამცავი ხელთათმანები, სანამ ააწყობთ ან ჩაუტარებთ რემონტს ხელსაწყოს.

▲ გაფრთხილება: გაეცანით ამ ელექტრო ხელსაწყოსთან დაკავშირებულ ყველა უსაფრთხოების მითითებას, ინსტრუქციას, ილუსტრაციას და სპეციფიკაციას. ქვემოთ ჩამოთვლილი ყველა ინსტრუქციის უგულვებელყოფამ შესაძლოა გამოიწვიოს ელექტრული შოკი, ხანძარი და/ან მოგაყენოთ სერიოზული ზიანი.

▲ გაფრთხილება: დარწმუნდით, რომ შეუკვეთეთ ამ სახელმძღვანელოში მითითებული ძელი და ჯაჭვური ხერხი. ამ წესის შეუსრულებლობამ შეიძლება გამოიწვიოს სერიოზული ტრავმა/დაზიანება.

შეინახეთ ყველა მითითება და ინსტრუქცია სამომავლოდ გამოყენებისთვის.

1. დარწმუნდით რომ ხერხის უკუყვების მუხრუჭის ლაფოტი გადაყვანილია **☑** პოზიციამში.
2. დატრიალეთ ძელის ქანჩი (A-17) საათის ისრის საწინააღმდეგო მიმართულებით, რათა მოხსნათ გვერდითა ხუფი (A-18).
3. მოათავსეთ ჯაჭვის მარყუჭი ბრტყელ ზედაპირზე და გაასწორეთ ნებისმიერი გადახლართვა. (ნახ. B1)
4. მოათავსეთ ჯაჭვის მამომრავებელი რგოლები (B-1) ძელის სიღრუხში (B-2) და დარწმუნდით რომ ჯაჭვი შემოევლება ძელს უკანა მხრიდან. (ნახ. B2)
5. დაიჭირეთ ჯაჭვი ძელზე ამ პოზიციამში და ჩამოცივით მარყუჭი ელექტრული თავის ხერხის კბილანას (B-3) და შემოწმეთ შემდეგი (Fig. B3):
 - a) ჯაჭვის მამომრავებელი რგოლები მოთავსებულია ხერხის კბილანას (B-3) წვეტებზე.

- b) დამჭიმავი ხრახნი (B-4) და ძელის ჭანჭიკი (B-5) მოთავსებულია ხერხის ძელის ნასვრეტში. დამჭიმავი წვირი (B-6) ჩასმულია ხერხის ძელის სიღრუხში.

შენიშვნა: დარწმუნდით, რომ ისრის მიმართულება ხერხის ჯაჭვის კბილებზე ყოველთვის მიუთითებს წინ (ნახ. B3).

6. იხილეთ სექცია „ხერხის ჯაჭვის მოჭიმვის ინსტრუქცია“, რათა დარწმუნდეთ რომ ჯაჭვი სწორადაა აწყობილი გახლართვის გარეშე.
7. გაუსწორეთ გვერდითა ხუფის ორი ძელის ჭოკი (B-7) ხერხზე არსებულ შესაბამის ნასვრეტებს (B-8), შემდეგ მოარგეთ გვერდითა ხუფი ხელსაწყოს. (ნახ. B4)
8. მოუჭირეთ ძელის ქანჩი.

B-1	მამომრავებელი რგოლები	B-5	ძელის ჭანჭიკი
B-2	სიღრუხი	B-6	დამჭიმავი წვირი
B-3	ჯაჭვის კბილანა	B-7	ძელის ჭოკი
B-4	დამჭიმავი ხრახნი	B-8	ნასვრეტები

შენიშვნა: თუ ხერხის ძელი საჭიროებს შეცვლას, მოხსენით მას გვერდითა ხუფი და ხელახლა ააწყვეთ ის ახალი ძელით, როგორც ნახ. C-ზე არის ნაჩვენები.

ექსპლუატაცია

ყოველი გამოყენების წინ შეამოწმეთ, მთლიანად დანადგარი ხომ არ არის დაზიანებული, დაკარგული ან მოშვებული ნაწილები, როგორცაა ხრახნები, ქანჩები, ჭანჭიკები და ა.შ. მჭიდროდ მოუჭირეთ ყველა სამაგრ დეტალს და ხუფს და არ გამოიყენოთ ეს პროდუქტი, სანამ ყველა დაკარგული ან დაზიანებული ნაწილი არ შეიცვლება.

▲ გაფრთხილება: დანადგარის გამოყენება შესაძლოა იზღუდებოდეს ცალკეული ეროვნული რეგულაციების შესაბამისად.

▲ გაფრთხილება: ნუ გამოიყენებთ/მართავთ დანადგარს დაღლილობისას, ავადმყოფობისას, ალკოჰოლის ან მედიკამენტების ზემოქმედების ქვეშ.

შენიშვნა: თუ დანადგარი კონტროლს არ ექვემდებარება, მაგალითად უკუდარტყმის შემთხვევაში, გთხოვთ, დაუყოვნებლივ გამორთოთ იგი დენის წყაროდან.

გამოყენება

KA

პროდუქტის გამოყენება შესაძლებელია წვიმაში

- ხერხის ძელი სპეციფიურად განკუთვნილია ხის მცირე ზომის ტოტების ჭრისთვის და მოვლისთვის.



ეს ხერხი მხოლოდ იმ პირების მიერ შეიძლება იქნას გამოყენებული, რომელთაც გავლილი აქვთ შესაბამისი მომზადება.

შენიშვნა: რეკომენდებულია, რომ პირველ ჯერზე გამოუცდელმა მომხმარებელმა, სულ მინიმუმ მაინც, სცადონ მორეზის გახერხვა სახერხ ხარაჩოზე.

ხერხის ჯაჭვის მოჭიმვის ინსტრუქცია

▲ გაფრთხილება: არასოდეს შეეხოთ ან დაარეგულიროთ ჯაჭვი როცა მოტორი მუშაობს. ხერხის ჯაჭვი ძალიან ბასრია; ყოველთვის გაიკეთეთ დამცავი ხელთათმანები მასზე სერვისის ჩატარებისას.

ხერხის ჯაჭვი ფართოვდება ან იკუმშება ნორმალური გამოყენებისას. შედეგად იცვლება ჯაჭვის დაჭიმულობა. რეგულარულად შეამოწმეთ ჯაჭვის დაჭიმულობა ხელსაწყოს გამოყენებისას და დაარეგულიროთ ის.

1. გამორთეთ ხერხი, ჩართეთ ჯაჭვის მუხრუჭი და ამორთეთ დენის ჩანგალი.
2. მოუშვით ძელის ქანჩი ისე, რომ ხერხის ძელი თავისუფლად მოძრაობდეს შემდგომი დარეგულირებისას.
3. დაიჭირეთ ძელი ცხვირით ზევით და დაარეგულიროთ დამჭიმავი ხრახნი, სანამ შემდეგი პირობები არ დაკმაყოფილდება:
 - a) ჯაჭვის ჩამოშლა ძელის ცენტრში არის დაახლოებით: 1 - 2 მმ (ნახ. D)
 - b) ამორთეთ ჯაჭვის მუხრუჭი, მოკიდეთ ორი თითი და დარწმუნდით რომ ჯაჭვი ტრიალებს ძელის გარშემო.

შენიშვნა: ფრთხილად შეასრულეთ ეს ნაბიჯი პირადი დაზიანებების თავიდან ასაცილებლად. მუდმივი დენის ამ ძრავის შემადგენლობაში არის დამაგნტებული ელემენტები, რომელიც ჩვეულებრივი ბენზინზე მომუშავე ჯაჭვის ხერხთან შედარებით მოგცემთ შემდეგ განსხვავებას: როდესაც ხერხის ჯაჭვს დაატრიალებთ ორი თითით, იგრძნობთ გარკვეულ წინაღობას. ეს მოძრაობა ისეთივე დაუბრკოლებელი არაა, როგორც ჩვეულებრივი ბენზინზე მომუშავე ჯაჭვის ხერხისთვის.

4. დაიჭირეთ ძელი ცხვირით ზევით და დაუჭირეთ ძელის ქანჩი.

შენიშვნა: თუ ჯაჭვის ჩამოშლა ძელის ცენტრში

არ არის 1 - 2 მმ, შეცვალეთ დაჭიმვის დონე.

ზეთის საცავის ავსების ინსტრუქცია

1. გამოაერთეთ აკუმულატორის ბლოკი ჯაჭვური ხერხიდან.
2. ჯაჭვური ხერხი მოათავსეთ გვერდზე მყარ, ბრტყელ ზედაპირზე, ისე, რომ ზეთის ავზის ხუფი ზემოთ იყოს მოთავსებული. მოხსენით ზეთის საცავის ხუფი. თუ ის ძალიან დაჭერილია, გამოიყენეთ კომბინირებული ქანჩის გასაღების (თანდართულია) თავი, რათა მოუშვათ ის (ნახ. E)
3. ფრთხილად ჩაასხით ზეთი საცავში. შეავსეთ ზეთით შემესვები ყელის ბოლომდე. მოწმინდეთ ნარჩენი ზეთი და დაუჭირეთ ზეთის საცავის ხუფი.

შენიშვნა:

- ჯაჭვური ხერხი არ არის ზეთით საცვებ შექმნის მომენტში. აუცილებელია ავზის შევსება ზეთით ხელსაწყოს გამოყენებამდე. ჯაჭვი ავტომატურად იპოხება ზეთით მუშაობის პროცესში.
- იგი სპეციალურად განკუთვნილია ხახუნის შესამცირებლად და სწრაფი ხერხისთვის.
- არასოდეს გამოიყენოთ ზეთი ან სხვა საპოხი მასალები, რომლებიც სპეციალურად არ არის შექმნილი ძელისა და ჯაჭვისთვის. ამან შეიძლება გამოიწვიოს ზეთოვანი სისტემის დაზიანება, რაც ძელისა და ჯაჭვის ნადრევი ცვეთის საწინდარია.

ზეთის დენის რეგულირება (ნახ. F)

- ეს ხერხი აღჭურვილია **ზეთის დენის მარეგულირებელი ხრახნით (F-1)**, რომელიც მოთავსებულია ამ ხელსაწყოს ქვედა ნაწილში. იგი განკუთვნილია ზეთის დენის რეგულირებისთვის, რომელიც უზრუნველყოფს ჯაჭვის, ძელის და მჭრელი სისტემის შეზეთვას. გაზარდეთ ან შეამცირეთ ზეთის დენა იმ ისრების მიმართულებით დატრიალებით, რომლებიც დატანილია კორპუსზე.

ჯაჭვური ხერხის LED ინდიკატორი

ჯაჭვურ ხერხს აქვს 2 LED ინდიკატორი, რომელიც მიუთითებს ზეთის რაოდენობას და აკუმულატორის დამუხტვის დონეს.

LED ინდიკატორი		წიშენალობა	მოქმედება
ზეთის გამოღვის ინდიკატორი (A-8)	მოციმციმე წითელი შუქი	ზეთის მცირე რაოდენობა	შეავსეთ ზეთის საცავი
	გათიშული	ზეთის საკმარისი რაოდენობა	/
აკუმულატორის ინდიკატორი (A-7)	მუდმივი მწვანე შუქი	აკუმულატორს აქვს საკმარისი მუხტი	/
	მოციმციმე მწვანე შუქი	აკუმულატორი თითქმის დაცლილია და საჭიროებს დაუყოვნებლივ დამუხტვას.	დატენეთ აკუმულატორი

აკუმულატორის შალითის მიმაგრება სიმაღლეზე ცოცვისთვის განკუთვნილ ღვედებზე

ამ ჯაჭვური ხერხის კომპლექტში არის აკუმულატორის შალითა, რომელიც განკუთვნილია აკუმულატორის სატარებლად და ერგება სიმაღლეზე ცოცვისთვის განკუთვნილ ღვედებს (არ არის კომპლექტში).

შენიშვნა: მჭიდროდ მთარგეთ აკუმულატორის შალითა სიმაღლეზე ცოცვისთვის განკუთვნილ ღვედებს, მათ ტანზე მორგებამდე.

▲ გაფრთხილება: საჭიროა სწრაფი გამსხნელი დილაკით აღჭურვილი აცოცვისთვის განკუთვნილი უსაფრთხოების ღვედების მომზადება წინასწარ, რათა თავიდან აიცილოთ სახიფათო ინციდენტები.

1. იპოვეთ სასურველი ადგილი აკუმულატორის შალითის ჩამოსაკიდებლად და მთარგეთ იგი ღვედებს შესაბამისი **სამაგრის (G-1)** საშუალებით. (ნახ. G1)
2. დაახვეთ ქამარი სიმაღლეზე ცოცვისთვის განკუთვნილ ღვედებს, რათა ადგილზე დააფიქსიროთ შალითა (ნახ. G2 და G3).
3. მთარგეთ ორი **რგოლი (G-2)** ელექტროსადენის დამცავ შალითას ორი კარაბინის საშუალებით (არ არის კომპლექტში), როგორც ნაჩვენებია ნახ. G4.

G-1	ღვედის სამაგრი	G-2	რგოლები
-----	----------------	-----	---------

შენიშვნა:

- ხეზე აცოცვებამდე მთარგეთ ელექტროსადენის დამცავ შალითას

რგოლი #1 და #2 სიმაღლეზე ცოცვისთვის განკუთვნილ ღვედს კარაბინების (არ არის კომპლექტში) საშუალებით (ნახ. G5)

- როდესაც იყენებთ ხელსაწყოს, მოხსენით რგოლი #2 ღვედს და დაიჭირეთ ხერხი ორივე ხელით ჭრის დაწყებამდე (ნახ. G6).

ხერხის მიმაგრება აკუმულატორის შალითაზე

მიამაგრეთ ელექტროსადენის დამცავ შალითაზე მორგებულ **ხერხის კაუჭი (H-2)** შესაბამის **ნასვრეტს (H-1)**. (ნახ. H)

H-1	ნასვრეტი	H-2	ხერხის კაუჭი
-----	----------	-----	--------------

აკუმულატორის დამონტაჟება/მოხსნა

შენიშვნა: სრულად დატენილ აკუმულატორი პირველ ჯერზე სარგებლობამდე.

დასამონტაჟებლად (ნახ. I1)

გაუსწორეთ აკუმულატორის სამაგრები მოწყობილობის ნასვრეტებს; ჩასვით აკუმულატორი შალითაში, სანამ არ გაიგებთ წკაპს.

მოსახსნელად (ნახ. I2)

დააჭირეთ აკუმულატორის გამშვებ დილაკს ცერით და ამოიღეთ აკუმულატორი.

ჯაჭვური ხერხის ჩართვა/გამორთვა

ჩასართავად

1. გაუსწორეთ **▲** “ნიშნები ელექტრულ ჩანგალებზე (J-2) ჯაჭვის ხერხის ელექტრულ ბუდეს (J-1), შემდეგ ჩასვით ჩანგალი ჯაჭვურ ხერხში, სანამ მწვანე ნიშნული სრულად არ ჩაჯდება ბუდეში (ნახ. J1).
2. დააჭირეთ ჩამრთველს “ON/OFF” და გადაიყვანეთ ჩამრთველი **“ON”** პოზიციამდე (ნახ. J2).
3. მოქაჩეთ ხერხის უკუცემის მუხრუჭის ლაფეტი ხერხის წინა სახელურისკენ პოზიციამდე.
4. გადაიყვანეთ **ჩამკეტი ენაკი (J-3)** წინა პოზიციამდე, ხოლო შემდეგ კი დააწეოთ **სიჩქარის მარეგულირებელ ტრიგერს (J-4)**. რაც უფრო მეტად დააწეოთ სიჩქარის ტრიგერს, მით უფრო იმატებს ხერხის ჯაჭვის ბრუნვის სიჩქარე (ნახ. J3).

J-1	ელექტრული ბუდე	J-3	ჩამკეტი ენაკი
J-2	ელექტრო ჩანგალი	J-4	ტრიგერი სიჩქარის რეგულირებით

KA

გასაჩერებლად

1. ხელი აუშვით სიჩქარის ტრიგერს, რათა გამორთოთ ჯაჭვური ხერხი.

შენიშვნა: ჯაჭვური ხერხი მცირე ხნით ისევ იტრიალებს სიჩქარის მარეგულირებელ ტრიგერზე ხელის აშვების შემდეგ. იზრუნეთ, რომ თავიდან აიცილოთ შეხება ხელსაწყოთან ტრიგერიდან ხელის აშვებიდან ჯაჭვის დადებამდე.

2. დააჭირეთ ხერხის უკუცემის მუხრუჭის ლაფეტს და მოათავსეთ სამუხრუჭე პოზიციაში “**☒**”.

3. დააჭირეთ ჩამრთველს “ON/OFF” და გადაიყვანეთ ჩამრთველი “OFF” პოზიციაში

▲ გაფრთხილება: ყოველთვის ამორთეთ აკუმულატორი ჯაჭვური ხერხიდან შესვენებისას ან სამუშაოს დამთავრებისთანავე.

ჭრისთვის მზადება

სწორად ჩაჭიდება სახელურებზე (ნახ. K)

- ჩაიცვით მოცურების საწინააღმდეგო ხელთათმანები მაქსიმალური მოჭიდებისა და უსაფრთხოებისთვის.
- ყოველთვის ჩაჭიდეთ წინა სახელურს მარცხენა ხელი და ძირითად სახელურს - მარჯვენა.
- თითები უნდა შემოეჭდოს სახელურს, ცერა თითი წინა სახელურის ქვედა მხარეს.

▲ გაფრთხილება: არასოდეს გამოიყენოთ მარცხენა-ხელის (გადანაცვლებული) დაჭერა ან ნებისმიერი სხვა პოზიცია, რომელიც მოაყოლებს თქვენს სხეულს ან მკლავს ჯაჭვის ხაზის გასწვრივ.

▲ გაფრთხილება: არ მოათავსოთ ტრიგერზე მარცხენა ხელი, ხოლო წინა სახელურზე კი - მარცხენა. არასოდეს დაუშვათ თქვენი სხეულის რომელიმე ნაწილის ჯაჭვის პირისპირ მოთავსება ხერხის გამოყენებისას (ნახ. L).

ჯაჭვის შეზეთვის შემოწმება (ნახ. M)

შენიშვნა: დარწმუნდით, რომ ჯაჭვური ხერხის ზეთის საცავი სავსეა ზეთის სათანადო მოცულობით.

1. დაიჭირეთ ძელი ღია ფერის მქონე ზედაპირის პირისპირ.
2. ჩართეთ ხერხი. ღია ფერის ზედაპირზე 1 წუთის შემდეგ დაინახავთ ზეთის გამჭირვალე ზოლს, თუ ჯაჭვის შეზეთვის პროცესი გამართულია.
3. თუ ჯაჭვის ზეთის ზოლი ჯერ კიდევ არ ჩანს ღია ფერის ზედაპირზე, მიმართეთ

სექციას „**ზეთის დენის რეგულირება**“, რათა გაასწოროთ ზეთის მიწოდება.

ხერხის გამოყენება ხეზე ასვლის შემთხვევაში

▲ გაფრთხილება: მუშაობისას ან ცოცვისას გირჩევთ გამოიყენოთ დამატებითი საყრდენი, მაგალითად, ფეხის უზანგი, რეგულირებადი ღვედი, რათა თავიდან აიცილოთ არასაჭირო ქანაობა ან ჭრის დროს ზიანის მიყენება.

გამოყენებამდე გათხოვთ, შეამწოთ შემდეგი რამ:

- შეამოწმეთ **ჯაჭვის კბილანაზე (N-1)** არსებული ცვეთის ნიშნები. თუ ისინი 0.5 მმ-ზე მეტი სიღრმისაა: დაუკავშირდით თქვენს EGO მომსახურების ცენტრს ჯაჭვის კბილანის შესაცვლელად.
- ასევე შეამოწმეთ სამუხრუჭე სისტემა, თუ **სამუხრუჭო ნაფენის (N-2)** ცვეთის ნიშნები არათანაბარია, დაუკავშირდით თქვენს EGO მომსახურების ცენტრს, რათა შეცვალოს ნაფენი. (ნახ. N)

N-1	ჯაჭვის კბილანა	N-2	სამუხრუჭო ნაფენი
-----	----------------	-----	------------------

- ხერხის ძელის შესამოწმებლად იხილეთ შემდეგი სექცია: **ხერხის ძელის ექსპლუატაცია**
- ხერხის ჯაჭვის შესამოწმებლად იხილეთ შემდეგი სექცია: **ჯაჭვის მოვლის წესი**
- ხერხის ჯაჭვის მუხრუჭის შესამოწმებლად იხილეთ შემდეგი სექცია: **არსებული უკუცემის უსაფრთხოების მოწყობილობები ამ ჯაჭვურ ხერხზე**

■ სამართავი დილაკების შესამოწმებლად იხილეთ შემდეგი სექცია: **ჯაჭვური ხერხის ჩართვა/გამორთვა**

■ ჯაჭვის შეზეთვის ხარისხის შესამოწმებლად იხილეთ შემდეგი სექცია: **ჯაჭვის შეზეთვის შემოწმება**

მოვლა

გაწმენდა

- ყოველი გამოყენების შემდეგ მოაცილეთ ნარჩენი ჯაჭვს და ძელს რბილი ფუნჯით. გადაწმინდეთ ჯაჭვური ხერხის ზედაპირი სუფთა, ნოტიო ქსოვილით და რბილი სარეცხი საშუალებით.
- საფუძვლიანი წმენდის მიზნით, მოხსენით ხერხს გვერდითა ხუფი, ძელი და ხერხის ჯაჭვი და შემდეგ გამოიყენეთ რბილი ფუნჯი, რათა საფუძვლიანად მოაცილოთ ნარჩენები ძელიდან, ხერხის ჯაჭვიდან და

ხერხზე არსებული კბილანიდან.

- ყოველთვის ამოწმინდეთ ნაფოტები, ნახერხი და ჭუჭყი ძელის სიდრულედან, როდესაც ცვლით ხერხის ჯაჭვს.

მტვრისგან გასუფთავება

1. მოხსენით აკუმულატორი, აცადეთ ხერხს გაგრილება და დაუჭირეთ ზეთის საცავის ხუფს.
2. ჩართეთ ხერხის მუხრუჭი
3. გამოიყენეთ კომბინირებული ქანჩის გასაღები (არის კომპლექტში), რათა მოუშვათ ხრახნი **მტვრის მოსაცილებელი ხუფზე (O-1)** და გახსნათ ის (ნახ. O1).
4. გაწმინდეთ გამაგრილებელ ვენტილატორში დაგროვილი მტვერი და ნახერხი შეკუმშული მშრალი ჰაერის გამოყენებით, დაუბრეთ მოპირდაპირე მხარეს მდებარე **ჰაერის ჭავლის შესავალიდან (O-2)**. (ნახ. O2).

O-1	მტვრის მოსაცილებელი ხუფი	O-2	ჰაერის ჭავლის შესავალი
-----	--------------------------	-----	------------------------

ხერხის ძელის ექსპლუატაცია

როდესაც ხერხის ძელს დაეტყობა ცვეთის ნიშნები, მოხსენით ის ჯაჭვური ხერხის ელექტრულ თავს და მოაბრუნეთ ხელახალი აწყობისთვის (ნახ. P1), რის შედეგადაც ცვეთა გადანაწილდება მის სრულ არეზე და გაიზრდება მისი მუშა ციკლი.

ხერხის ძელი (**ძელის რელსების (P-1) და შესაზეთი ნასვრეტის (P-2)** ჩათვლით) უნდა გაიწმინდოს ყოველ დღე სარგებლობისას და შემოწმდეს ცვეთასა და დაზიანებაზე (ნახ. P2). ხერხის ძელის რელსზე ცალმხრივი ცვეთა და უსწორმასწორობები არის ძელის ცვეთის ნორმალური პროცესი. მსგავსი ტიპის უსწორმასწორობები უნდა გაიკლიბოს მათი გამოჩენისთანავე. ქვევით ჩამოთვლილი პრობლემების მქონე ძელი უნდა შეიცვალოს.

ძელის რელსების შიგნით არსებული ცვეთა, რომელიც საშუალებას აძლევს ჯაჭვს მობრუნდეს.

- გაღუწული ხერხის ძელი.
- გაზზარული ან გატეხილი რელსები.
- გამლილი რელსები.

ძელს გააჩნია კბილანა მის წვერთან. კბილანის შეზეთვა საჭიროა ყოველკვირეულად ზეთანი შპრიცით, რათა გაზზარდოთ ძელის სიცოცხლის ხანგრძლიობა (ნახ P3 და P4). დაატრიალეთ **ცხვირის კბილანა (P-3)**, როდესაც ასხავთ

გამჭირვალე ცვითელ, გამჭირვალე წითელ ან გამჭირვალე ზეთს შესაზეთი ნასვრეტში (P-4), სანამ მთლიანი კბილანა სრულად არ შეიზეთება. არ ჩატენოთ ჭუჭყი შესაზეთი ნასვრეტში.

P-1	ძელის რელსები	P-3	კბილანა
P-2	შესაზეთი ნასვრეტი	P-4	შესაზეთი ნასვრეტი

ჯაჭვის მოვლის წესი

გამოიყენეთ მხოლოდ მცირე უკუცემის მქონე ჯაჭვები ამ ხერხზე. სწრაფად მჭრელი ჯაჭვი შეამცირებს უკუცემას სწორი ექსპლუატაციის შემთხვევაში.

სწორად გალესილი ხერხის ჯაჭვი ხერხავს ხეს ძალისხმევის გარეშე, მცირე დაწოლის შემთხვევაშიც კი. არასოდეს გამოიყენოთ ბლავეი ან დაზიანებული ხერხის ჯაჭვი. ბლავეი კბილები ხერხის ჯაჭვზე ზრდიან ფიზიკურ დატვირთვას, ვიბრაციას, იწვევენ არადაამაყოფილებელ ჭრის შედეგებს და იწვევენ ცვეთას.

გლუვი და სწრაფი ხერხვისთვის, საჭიროა ჯაჭვის რეგულარული სწორი სერვისი. ჯაჭვი საჭიროებს გალესვას როცა ნახერხი არის მცირე და მტვრის მსგავსი, ხერხზე საჭიროა ძალის დატანება ჭრისას ან ჯაჭვი ჭრის მხოლოდ ერთ მხარეს. თქვენი ჯაჭვის სერვისის დროს დაითვალისწინეთ შემდეგი:

- გვერდითა ფილის არასწორმა დამაგრებამ შესაძლოა გაზზარდოს სერიოზული უკუცემის რისკი.
- სიღრმის ნიშნულებიდან დაშორება. ძალიან მცირე დაშორება ზრდის უკუცემის რისკს. არასაკმარისად მცირე დაშორება ამცირებს ხერხვის უნარს.
- თუ მჭრელი კბილები შეეჯახა მყარ საგნებს, როგორცაა ლურსმანი ან ქვა, ან გაიხეხა ხეზე არსებული ტალახის ან ქვიშის მიერ, გაალესინეთ ჯაჭვი კვალიფიციურ სერვისის ტექნიკოსს.

შენიშვნა: რეკომენდებულია **ხერხის ჯაჭვის** გალესვისა და მოვლის პროცედურის ჩატარება უფლებამოსილი სერვისცენტრების მიერ.

ტრანსპორტირება და შენახვა

- არ შეინახოთ ან არ მოახდინოთ ჯაჭვური ხერხის ტრანსპორტირება ჩართულ მდგომარეობაში. ყოველთვის მოხსენით დენის ჩანაგალი შენახვამდე ან ტრანსპორტირებამდე.

KA

- ყოველთვის გაუკეთეთ ძელის და ჯაჭვის შალითა ხერხს მის შენახვამდე ან ტრანსპორტირებამდე. გამოიჩინეთ სიფრთხილე ჯაჭვის მჭრელ რგოლებთან მიმართებაში.
- საგულდაგულოდ გაწმინდეთ ჯაჭვური ხერხი შენახვამდე. შეინახეთ ჯაჭვური ხერხი შენობაში მშრალ, დაკეტილ და/ან ბავშვებისთვის მიუწვდომელ ადგილას.
- მოაცილეთ კოროზიის გამომწვევი ნივთიერებები, როგორცაა სოფლის მეურნეობაში გამოყენებული ქიმიკატები და მოყინვის საწინააღმდეგო ტექნიკური მარილი.

გარემოს დაცვა



WEEE (ელექტრული მოწყობილობების ნარჩენების მართვა). არ მოათავსოთ ელექტრული მოწყობილობა, დამტენი და აკუმულატორი / მისი ბატარეები საყოფაცხოვრებო ნაგავში! მიუტანეთ ისინი ავტორიზირებულ ნარჩენების გადამამუშავებელს და მოახდინეთ ასეთი ნარჩენის განცალკევებულად შეგროვება. ელექტრული ხელსაწყოები უნდა ჩაბარდეს ნარჩენების გადამამუშავებელ ორგანოს გარემოს დაცვის ნორმების გათვალისწინებით.

გაუმართაობის დიაგნოსტიკა

პრობლემა	მიზეზი	გადაჭრის გზა
მოტორი არ ირთვება.	<ul style="list-style-type: none"> აკუმულატორის შალითის დენის ჩანგალი არ არის შეერთებული ხერხზე. აკუმულატორის შალითასა და აკუმულატორს შორის არ არის ელექტრული კონტაქტი. ჩამკეტი ენაკი არ არის აკეცილი. “ON-OFF” ჩამრთველი “OFF” პოზიციაშია. ჯაჭვის მუხრუჭი ჩართულია. 	<ul style="list-style-type: none"> შეერთეთ აკუმულატორის შალითის დენის ჩანგალი ხერხზე. მოხსენით აკუმულატორი, შეამოწმეთ კონტაქტები და კვლავ მოათავსეთ იგი უკან. ჩართვამდე აკეციეთ ჩამკეტი ენაკი. დააჭირეთ ჩამრთველს “ON/OFF” და გადაიყვანეთ “ON” პოზიციაში. მოქაჩეთ ხერხის უკუცემის მუხრუჭის ლაფეტი ხერხის წინა სახელურისკენ, რათა მოათავსოთ იგი სამუშაო პოზიციაში.
ჯაჭვური ხერხი ჩერდება მუშაობის პროცესში.	<ul style="list-style-type: none"> აკუმულატორი ან ხერხი ზედმეტად გაცხელებულია. ხერხი გადატვირთულია. ზედმეტად ბევრი ნახერხი ბლოკავს სავენტილაციო არხს. აკუმულატორის ბლოკი დაცლილია. 	<ul style="list-style-type: none"> გააგრილეთ აკუმულატორი ან ხერხი. შეამცირეთ დატვირთვა. გაასუფთავეთ მტვერისგან. იხილეთ სექცია “მტვერისგან გასუფთავება”. დატენეთ აკუმულატორი.
ჯაჭვის მუხრუჭი არ ფუნქციონირებს	<ul style="list-style-type: none"> უცხო სხეულები უშლის ხერხის უკუცემის მუხრუჭის სახელურს სრულ გადაადგილებას შესაძლოა ჯაჭვის მუხრუჭის ფუნქციონირების დარღვევა 	<ul style="list-style-type: none"> მოაცილეთ უცხო სხეულები ჯაჭვის მუხრუჭის მექანიზმს. მიმართეთ EGO-ს კლიენტთა მომსახურების ცენტრს შეკვეთებისთვის.
ჭრის დროს ხერხის შეზღუდვა არ ხდება.	<ul style="list-style-type: none"> ჯაჭვის ზეთის საცავი ცარიელია. ჯაჭვის ძელის ზეთის გამოსასვლელი დახშულია. ზეთის გამყარება დაბალ ტემპერატურაზე. 	<ul style="list-style-type: none"> ძელის და ჯაჭვის ზეთის ავსება. მოაცილეთ მტვერი ზეთის გამოსავალს. შეცვალეთ შესაბამისი ტიპის ზეთით (დაბალ ტემპერატურაზე მუშაობისთვის).

პრობლემა	მიზეზი	გადაჭრის გზა
ზეთის სიმცირის ინდიკატორი წიმციმებს წითელი შუქით ან ანათებს არასათანადო შუქით, როცა ზეთის საცავი ზეთით არის სავსე.	<ul style="list-style-type: none"> ზეთის კონკრეტული კუთხით დაჭერა აფერხებს ზეთის საცავიდან ზეთის მიღში მის გადასვლას. ზეთის ეს კატეგორია და ფერი არ არის რეკომენდებული. ზეთის სიმცირის ინდიკატორი კვლავ წითლად ციმციმებს. 	<ul style="list-style-type: none"> მოათავსეთ ხერხი ჰორიზონტალურ ბრტყელ ზედაპირზე და კიდევ სცადეთ. გამოიყენეთ რეკომენდებული გამჭვირვალე ყვითელი, გამჭვირვალე წითელი ან გამჭვირვალე ზეთი. მიმართეთ EGO-ს კლიენტთა მომსახურების ცენტრს შეკვეთებისთვის
ზეთის სიმცირის ინდიკატორი არ ფუნქციონირებს, როცა ზეთის საცავში ცოტა ზეთია დარჩენილი.	<ul style="list-style-type: none"> ზეთის კატეგორიისა და ფერის იდენტიფიცირება ვერ მოხდა. ზეთის მცირე ოდენობა ისევ არის დარჩენილი ზეთის საცავსა ან მილში. ზეთის სიმცირის ინდიკატორი კვლავ არ მუშაობს ზემოთ ჩამოთვლილი მიზეზების გამო. 	<ul style="list-style-type: none"> გამოიყენეთ რეკომენდებული გამჭვირვალე ყვითელი, გამჭვირვალე წითელი ან გამჭვირვალე ზეთი. მცირე ხნით ისევ გამოიყენეთ ხერხი და დააკვირდით ზეთის სიმცირის ინდიკატორს მიმართეთ EGO-ს კლიენტთა მომსახურების ცენტრს შეკვეთებისთვის.

გარანტია

EGO-ს გარანტიის მომსახურების წესი

გთხოვთ ეწვიოთ ვებ-გვერდს egopowerplus.eu, რათა მიიღოთ EGO-ს საგარანტიო მომსახურების სრული პირობები.

PROČITAJTE SVA UPUTSTVA!



PROČITAJTE PRIRUČNIK ZA RUKOVAOCA

SIGURNOSNI SIMBOL

Svrha sigurnosnih simbola je da vam skrenu pažnju na moguće opasnosti. Sigurnosni simboli i objašnjenja uz njih zaslužuju vašu pognu pažnju i shvatanje. Simboli upozorenja, sami po sebi, ne eliminišu nikakve opasnosti. Uputstva i upozorenja koja oni daju nisu zamena za odgovarajuće mere sprečavanja nezgoda.

▲ UPOZORENJE: Obavezno pročitajte i shvatite sva sigurnosna uputstva u ovom Priručniku za rukovaoca, obuhvatajući i sve simbole sigurnosnih upozorenja poput „OPASNOST“, „UPOZORENJE“, i „OPREZ“ pre korišćenja ovog alata. Nepridržavanje svih dolenavedenih uputstava može da dovede do strujnog udara, požara i/ili ozbiljne telesne povrede.

ZNAČENJE SIMBOLA

Ova stranica prikazuje i opisuje sigurnosne simbole koji mogu da se pojave na ovom proizvodu. Pročitajte, shvatite i sledite sva uputstva na mašini pre no što pokušate da je sklopite i da rukujete njom.

SIGURNOSNI SIMBOLI



Simbol upozorenja



Nosite radne rukavice napravljene od izdržljivog materijala



Nosite sigurnosnu obuću koja se ne klizi



Budite svesni povratnog udarca - kontakt vrha vodilice sa bilo kakvim predmetom treba izbegavati



Povratni udarac vrha vodilice - kontakt vrha može da izazove iznenadno pomeranje vodilice nagore i unazad, što može da izazove ozbiljnu povredu.



Ovaj proizvod je u skladu sa primenjivim zakonima u UK.



Zagarantovani nivo zvučne snage.



Ovaj proizvod je u skladu sa primenjivim Direktivama EU.

IPX5

Zaštita od mlazova vode



Da bi smanjio rizik od povreda, korisnik pre korišćenja ovog proizvoda mora pročitati i shvatiti priručnik za rukovaoca.



Nosite odeću koja nije labava. Ne nosite šal, kravatu ili nakit



Nosite zaštitne naočare koje dobro prijanjaju, čepove za uši ili štitnike za uši i sigurnosni šlem sa kaišem za bradu



Dvoručna drška - uvek koristite obe ruke kad rukujete motornom testerom.



Informacije o vodilici.



Otpadni električni proizvodi ne smeju da se odlažu sa otpadom iz domaćinstva. Odnosite ih u ovlašćeni pogon za reciklažu.

V

Voit



Jednosmerna struja

SR

SPECIFIKACIJE

Voltaža	56 V	
Preporučena radna temperatura:	Od -15 °C do +40 °C	
Preporučena temperatura skladištenja:	Od -40 °C do +70 °C	
Optimalna temperatura punjenja	Od 5 °C do 40 °C	
Dužina sečenja	300 mm	
Brzina lanca	20 m/s	
Korak lanca	3/8" (9,5 mm)	
Dubina lanca	1,1 mm	
Tip lanca	AC1200 (preporučeno) AC1400/AC1401 (kompatibilno) AC1600/AC1601 (kompatibilno)	
Tip vodilice	AG1200 (preporučeno) AG1400/AG1401 (kompatibilno) AG1600/AG1601 (kompatibilno)	
Korak lanca	3/8" (9,5 mm)	
Dubina lanca	1,1 mm	
Deklarisani broj zuba pogonskog zupčanika	6	
Kapacitet rezervoara ulja za lanac	250 mL	
Težina (bez baterije, navlake za lanac)	3,5 kg	
Izmereni nivo zvučne snage L_{WA}	98,8 dB(A) K=3 dB(A)	
Nivo zvučnog pritiska na mestu rada L_{PA}	88,1 dB(A) K=3 dB(A)	
Garantovan nivo jačine zvuka L_{WA} (prema 2000/14/EC)	102dB(A)	
Vibracije a_n	Prednja drška	1,73 m/s ² K= 1,5 m/s
	Glavna drška	2,21 m/s ² K= 1,5 m/s

SR

- Deklarisana ukupna vrednost vibracije je izmerena u skladu sa standardnim metodom testiranja i može se koristiti za upoređivanje jednog alata sa drugim;

- Deklarisana ukupna vrednost vibracije može se koristiti i u preliminarnoj proceni izlaganja.

NAPOMENA: Emisija vibracija tokom stvarne upotrebe električnog alata može da se razlikuje od deklarisanе vrednosti u kojoj se alat koristi. Da bi se rukovalac zaštitio, korisnik bi trebalo da nosi rukavice i štitnike za uši u stvarnim uslovima korišćenja.

OPIS

UPOZNAJTE SVOJU MOTORNU TESTERU (slika A1)

1. Lanac
2. Lopatica kočnice povratnog udarca
3. Jezičak za zaključavanje
4. Glavna drška
5. Okidač varijabilne brzine
6. Rupica
7. Indikator baterija
8. Indikator niskog nivoa ulja
9. Prednja drška
10. Poklopac rezervoara za ulje
11. Vodilica
12. Rupica za podmazivanje
13. Lančanik
14. Vijak za zatezanje
15. Sigurnosni prekidač ON-OFF
16. Zavrtanj vodilice
17. Navrtanj vodilice
18. Sklop bočnog poklopca
19. Poklopac vijka za podešavanje protoka ulja
20. Poklopac za uklanjanje prašine
21. Mehanizam za izbacivanje
22. Električni kontakti
23. Dugme za oslobađanje baterije
24. Kukica za pojas
25. Kopča
26. Kaiš
27. Uže
28. Prsten 1
29. Kukica testere
30. Utikač napajanja
31. Prsten 2
32. Navlaka za lanac
33. Kombinovani ključ

POPIS PAKOVANJA (SLIKA A1)

SASTAVLJANJE


SKLAPANJE/RASKLAPANJE VODILICE I LANCA

⚠ UPOZORENJE: Uvek odvojite utikač napajanja i stavite zaštitne rukavice pre sklapanja ili održavanja proizvoda.

⚠ UPOZORENJE: Pročitajte sva sigurnosna upozorenja, uputstva, ilustracije i specifikacije priložene uz ovaj električni alat. Nepridržavanje svih dole navedenih uputstava može da dovede do strujnog udara, požara i/ili ozbiljne povrede.

⚠ UPOZORENJE: Obavezno naručite vodilicu i lanac testere koji su navedeni u ovom priručniku. Ako to ne uradite, to može dovesti do ozbiljne povrede.

Sačuvajte sva upozorenja i uputstva za buduću upotrebu.

- Vodite računa da lopatica kočnice povratnog udara bude u položaju .
- Odvrnite **navrtanj vodilice (A-17)** suprotno kazaljki na satu da biste skinuli **sklop bočnog poklopca (A-18)**.
- Položite lanac testere u petlju na ravnu površinu i izravnajte sve vijuge. (slika B1)
- Stavite **pogonske alke (B-1)** u **žleb (B-2)** na vodilici i napravite petlju od lanca na zadnjoj strani vodilice. (slika B2)
- Držite lanac na njegovom mestu na vodilici i stavite petlju oko **lančanika (B-3)** pogonske glave pa proverite sledeće stavke (slika B3):
 - Pogonske alke lanca su smeštene u zubima **lančanika (B-3)**.
 - Vijak za zatezanje (B-4)** i **zavrtnaj vodilice (B-5)** se nalaze u prerezu vodilice. **Igla za zatezanje (B-6)** je zakačena u rupici na vodilici.

NAPOMENA: Vodite računa da smer strelica na zubima lanca testere uvek bude okrenut unapred (slika B3).

- Pogledajte odeljak „**ZATEZANJE LANCA TESTERE**“ da biste osigurali da lanac bude pravilno sklopjen bez sputavanja.
- Poravnajte dve **šipke vodilice (B-7)** na sklopu bočnog poklopca sa odgovarajućim **rupicama (B-8)** na testeri, a zatim namestite sklop bočnog poklopca. (slika B4)
- Zategnite navrtanj vodilice.

B-1	Pogonske alke	B-5	Zavrtnaj vodilice
B-2	Žleb	B-6	Igla za zatezanje
B-3	Lančanik	B-7	Šipke vodilice
B-4	Vijak za zatezanje	B-8	Rupice

NAPOMENA: Ako vodilicu treba zameniti, rasklopite sklop bočnog poklopca i ponovo ga sklopite sa novom vodilicom, kako je prikazano na slici C.

UKOVANJE

Pre svake upotrebe, pregledajte ceo proizvod da nema oštećenih, nedostajućih ili labavih delova poput vijaka, matica, navrtanja itd. Čvrsto zategnite sve učvršćivače i kapice i ne rukujte ovim proizvodom dok svi nedostajući ili oštećeni delovi ne budu zamenjeni.

⚠ UPOZORENJE: Neki nacionalni propisi možda ograničavaju upotrebu ove mašine.

⚠ UPOZORENJE: Kad ste umorni, bolesni ili pod uticajem alkohola, droga ili lekova, ne rukujte ovom mašinom.

NAPOMENA: Ako je mašina van kontrole, kao kod povratnog udara, odmah isključite napajanje.

PRIMENA

Proizvod se može koristiti po kiši.

- Ova motorna testera je dizajnirana specifično za sečenje i održavanje u krošnj.



Ovu testeru treba da koriste samo osobe koje su specijalno kvalifikovane za rad održavanja drveća.

NAPOMENA: Preporučuje se da početnici treba, kao minimum, da uvežbavaju sečenje trupaca na nogarima.

ZATEZANJE LANCA TESTERE

⚠ UPOZORENJE: Nikad ne dodirujte ili podešavajte lanac dok motor radi. Lanac testere je veoma oštar; uvek nosite zaštitne rukavice kad radite održavanje na lancu.

Lanac testere se širi ili skuplja tokom normalnog rukovanja testerom. Zategnutost lanca se menja kao posledica toga. Tokom rada redovno proveravajte zategnutost lanca i podesite je ako je neophodno.

- Isključite motornu testeru, aktivirajte kočnicu lanca i odvojite utikač napajanja.
- Olabavite navrtanj vodilice, tako da vodilica može slobodno da se kreće za buduće podešavanje.
- Držite nos vodilice gore, pa podesite vijak za zatezanje dok se ne dese sledeće stvari:
 - Lanac u sredini vodilice visi oko 1-2 mm (slika D).
 - Deaktivirajte kočnicu lanca, osigurajte da lanac može da se povuče duž vodilice koristeći dva prsta.

NAPOMENA: Pažljivo uradite ovaj korak da biste izbegli telesne povrede. Pošto ovaj DC motor sadrži magnetni materijal, za razliku od konvencionalne benzinske motore testere, kad pokrećete lanac testere pomoću dva prsta, osetićete izvesnu količinu otpora. Neće ići tako glatko kao kod benzinske motore testere.

4. Držite nos vodilice gore i zategnite navrtanj vodilice.

NAPOMENA: Ako lanac u sredini vodilice ne visi 1-2 mm, podesite zategnutost lanca.

PUNJENJE REZERVOARA ZA ULJE

1. Odvojite bateriju od motorne testere.
2. Postavite motornu testeru na bočnu stranu na čvrstu, ravnu površinu, tako da kapica rezervoara za ulje bude okrenuta nagore. Otvorite kapicu rezervoara za ulje. Ako je previše zategnuta, koristite prorez na (priloženom) kombinovanom ključu da je odmete (slika E)
3. Pažljivo sipajte ulje u rezervoar za ulje. Napunite do donjeg dela grlića. Obrišite eventualni višak ulja i zatvorite.

NAPOMENA:

- U motornoj testeri nema ulja u vreme kupovine. Suštinski je važno napuniti rezervoar uljem pre upotrebe. Lanac se automatski podmazuje uljem tokom rada.
- Ona je specifično dizajnirana da pruži nisko trenje i brže sečenje.
- Nikad ne koristite ulje ili druge lubrikante koji nisu specifično dizajnirani za korišćenje na vodilici i lancu. To može da dovede do zapušanja u sistemu za ulje, što može da izazove prevremeno habanje vodilice i lanca.

PODEŠAVANJE PROTOKA ULJA (slika F)

- Ova testera je opremljena vijkom za podešavanje protoka ulja (F-1), koji se nalazi na donjem delu alata i koristi se za podešavanje protoka ulja za podmazivanje lanca, vodilice i sistema sečenja. Povećajte ili smanjite protok ulja u smeru strelica, kako je označeno na kućištu.

LED INDIKATOR NA MOTORNOJ TESTERI

Motorna testera je opremljena sa 2 LED indikatora koji pokazuju status ulja i nivo napunjenosti baterija.

LED indikator		Značenje	Akcija
ator niskog nivoa ulja (A-8)	Bljeska crveno	Nestašica ulja	Napunite rezervoar za ulje
	Isključeno	Ima ulja	/
Indikator baterije (A-7)	Svetli zeleno	Baterija ima napajanje	/
	Bljeska zeleno	Baterija je skoro ispražnjena i treba odmah da se puni.	Napunite bateriju

SR

PRIČVRŠĆIVANJE FUTROLE BATERIJE NA REMENE ZA PENJANJE

218

Ova motorna testera se isporučuje sa futrolom za bateriju koja se koristi za nošenje baterije i omogućava pričvršćivanje na remene za penjanje (nisu priloženi).

NAPOMENA: Čvrsto pričvrstite futrolu za bateriju na remene za penjanje, pre navlačenja remena za penjanje na sebe.

UPOZORENJE: Da bi se sprečila pojava hitnih slučajeva, moraju se pripremiti remeni za penjanje sa funkcijom brzog oslobađanja.

1. Potražite odgovarajuće mesto za kačenje ove futrole za bateriju na remene za penjanje; okačite futrolu za bateriju na remene za penjanje pomoću **kukice za pojas (G-1)**. (slika G1)
2. Omotajte pojas oko remena za penjanje da biste fiksirali futrolu za bateriju na njenom mestu (slika G2 i G3).
3. Pričvrstite dva **prstena (G-2)** sigurnosnog užeta na remene za penjanje pomoću dva karabinera (nisu priloženi), kako je prikazano na slici G4.

G-1	Kukica za pojas	G-2	Prstenovi
-----	-----------------	-----	-----------

NAPOMENA:

- Kad se penjete na drvo, pričvrstite prsten 1 i 2 sigurnosnog užeta na remene za penjanje pomoću karabinera (nisu priloženi) (slika G5).
- Kad je alat u upotrebi, odvojite prsten 2 od remena za penjanje i držite testeru sa obe ruke da biste izvršili sečenje (slika G6).

PRIČVRŠĆIVANJE TESTERE NA FUTROLU ZA BATERIJU

Pričvrstite **kukicu testere (H-2)** na sigurnosnom užetu na **rupicu (H-1)**. (slika H)

H-1	rupica	H-2	kukica testere
-----	--------	-----	----------------

INSTALIRANJE/VAĐENJE BATERIJE

NAPOMENA: Potpuno napunite bateriju pre prve upotrebe.

Za instalaciju (slika I1)

Poravnajte rebra na bateriji sa montažnim prorezima a zatim gurnite bateriju u futrolu za bateriju dok ne škljocne na svoje mesto.

Za uklanjanje (slika I2)

Pritisnite dugme za otključavanje baterije palcem da biste izvadili bateriju.

POKRETANJE/ZAUSTAVLJANJE MOTORNE TESTERE

Za pokretanje

1. Poravnajte oznake „▲“ na **utikaču napajanja (J-2)** sa **strujnom utičnicom (J-1)** na motornoj testeri, a zatim umetnite utikač u motornu testeru dok ZELENA zaptivka na utikaču POTPUNO ne nestane u utičnici (slika J1).
2. Pritisnite prekidač „ON/OFF“ u položaj „ON“ (slika J2).
3. Povucite lopaticu kočnice povratnog udarca prema glavnoj drški u položaj .
4. Pomerite **jezičak za zaključavanje (J-3)** unapred a zatim pritisnite **okidač varijabilne brzine (J-4)**. Što više povlačite okidač varijabilne brzine nagore, to je veća rotaciona brzina lanca testere (slika J3).

J-1	Strujna utičnica	J-3	Jezičak za zaključavanje
J-2	Utikač napajanja	J-4	Okidač varijabilne brzine

Za zaustavljanje

1. Pustite okidač varijabilne brzine da biste zaustavili motornu testeru.

NAPOMENA: Lanac testere će nastaviti da se rotira još kratko vreme posle puštanja okidača varijabilne brzine. Vodite računa da izbegavate kontakt nakon puštanja okidača varijabilne brzine i prilikom spuštanja motorne testere na tlo.

2. Gurnite lopaticu kočnice povratnog udarca unapred u položaj kočenja „“.
3. Prebacite prekidač „ON-OFF“ u položaj „OFF“

⚠ UPOZORENJE: Uvek odvojite utikač napajanja od motorne testere tokom pauza u radu i posle završetka rada.

PRIPREMA ZA SEČENJE

Pravilan hvat na drškama (slika K)

- Nosite rukavice koje se ne klizu zbog maksimalnog hvata i zaštite.
- Uvek hvatajte prednju dršku levom rukom a glavnu dršku desnom rukom.
- Prsti treba da obuhvata dršku a palac da se savije ispod prednje drške.

⚠ UPOZORENJE: Nikad ne koristite levoruki (ukršteni) hvat ili bilo koji stav koji bi postavio vaše telo ili ruku preko linije lanca.

⚠ UPOZORENJE: Ne rukujte okidačem pomoću leve ruke dok desnom rukom držite prednju dršku. Nikad ne dozvolite da vam bilo koji deo tela bude u liniji lanca dok rukujete motornom testerom (slika L).

PROVERAVANJE PODMAZANOSTI LANCA (slika M)

NAPOMENA: Osigurajte da je rezervoar za ulje na motornoj testeri napunjen odgovarajućom količinom ulja za lanac.

1. Držite vodilicu iznad površine svetle boje.
2. Uključite testeru. Videćete proziru liniju ulja na površini svetle boje posle 1 minuta ako podmazivanje lanca funkcioniše pravilno.
3. Ako ulje za lanac i dalje nije vidljivo na površini svetle boje, pogledajte odeljak „PODEŠAVANJE PROTOKA ULJA“ da biste ga podesili.

RAD U KROŠNJI

⚠ UPOZORENJE: dok radite ili se penjete, preporučuje se korišćenje dodatne potpore, poput stremena za stopala, podesivog konopca, da bi se sprečilo ljuljanje ili nezgoda sa sečenjem.

Pre upotrebe, proverite sledeće stavke:

- Proverite znake habanja na **lančaniku (N-1)**. Ako su znaci habanja dublji od 0,5 mm: obratite se servisu EGO dilera radi zamene lančanika.
- Takođe proverite sistem kočenja. Ako su znaci habanja na **oblozi kočnice (N-2)** neravnomerni, obratite se servisu EGO dilera jer se obloga kočnice mora zameniti. (slika N)

N-1	Lančanik	N-2	Obloga kočnice
-----	----------	-----	----------------

- Za proveru vodilice, pogledajte odgovarajući odeljak: **ODRŽAVANJE VODILICE**
- Za proveru lanca testere, pogledajte odgovarajući odeljak: **ODRŽAVANJE LANCA**
- Za testiranje kočnice lanca, pogledajte odgovarajući odeljak: **SIGURNOSNI UREĐAJI ZA POVRATNI UDARAC NA OVOJ**

MOTORNOJ TESTERI

- Za proveru kontrola, pogledajte odgovarajući odeljak: **POKRETANJE/ZAUSTAVLJANJE MOTORNE TESTERE**
- Za proveru podmazanosti lanca, pogledajte odgovarajući odeljak: **PROVERAVANJE PODMAZANOSTI LANCA**

ODRŽAVANJE

ČIŠĆENJE

- Nakon svake upotrebe, očistite prjavištinu sa lanca i vodilice pomoću meke četke. Obrisite površinu motorne testere čistom krpom navlaženom rastvorom blagog sapuna.

- Za dubinsko čišćenje, uklonite sklop bočnog poklopca, skinite vodilicu i lanac testere i zatim pomoću meke četke temeljno uklonite prljavštinu sa vodilice, lanca testere i pogonskog lančanika na pogonskoj glavi motorne testere.
- Uvek očistite iverje, piljevinu i zemlju iz žleba vodilice kad zamenjujete lanac.

UKLANJANJE PRAŠINE

1. Odvojite utikač napajanja, pustite da se motorna testera ohladi i zategnite kapicu rezervoara za ulje.
2. Aktivirajte kočnicu testere
3. Pomoću (priloženog) kombinovanog klučka olabavite vijak na **poklopcu za uklanjanje prašine (O-1)** da biste ga otvorili (slika O1).
4. Očistite piljevinu i iverje koji su se nagomilali u rashladnom peraju pomoću komprimovanog suvog vazduha; duvajte sa suprotne strane **ulaza vazduha (O-2)**. (slika O2).

O-1	Poklopac za uklanjanje prašine	O-2	Ulaz vazduha
-----	--------------------------------	-----	--------------

ODRŽAVANJE VODILICE

Kad vodilica pokaže znake habanja, rasklopite je sa pogonske glave motorne testere i obrnite je za ponovno sklapanje (slika P1), što će rasporediti habanje radi maksimalnog radnog veka vodilice.

Vodilicu treba čistiti (obuhvatajući i **šine vodilice (P-1)** i **rupicu za podmazivanje (P-2)** svakog dana kad se koristi i proveravati da li ima habanja i oštećenja (slika P2). Krivljenje ili deformisanje šina vodilice je normalan proces habanja vodilice. Takve nedostatke treba izravnati turpijom čim se pojave. Vodilicu sa bilo kojim od sledećih nedostataka treba zameniti.

Habanje unutar šina vodilice koje omogućava lancu da leži bočno.

- Savijena vodilica.
- Napukle ili polomljene šine.
- Raširene šine.

Vodilica ima lančanik na vrhu. Lančanik se mora svake nedelje podmazivati špricom za mazivo da bi se produžio radni vek vodilice (slika P3 i P4). Okrećite **nos lančanika (P-3)** dok pumpate **prozirno žuto, prozirno crveno ili prozirno mazivo u rupicu za podmazivanje (P-4)** dok ceo lančanik ne dobije novo mazivo. Ne gurajte prljavštinu u rupicu.

P-1	Šine vodilice	P-3	Lančanik
P-2	Rupica za podmazivanje	P-4	Rupica za podmazivanje

ODRŽAVANJE LANCA

Na ovoj testeru koristite samo lance sa malim povratnim udarcem. Ovaj brzi lanac za sečenje će omogućiti smanjenje povratnog udarca ako se pravilno održava.

Pravilno naoštren lanac seče drvo bez napora, čak i sa veoma malo pritiska. Nikad ne koristite tup ili oštećen lanac. Tup zub lanca testere dovodi do povećanog fizičkog naprezanja, povećanih vibracija, nezadovoljavajućih rezultata sečenja i povećanog habanja.

Za glatko i brzo sečenje, lanac treba pravilno održavati. Lancu je potrebno oštrenje kad je iverje sitno i praškasto, kad se lanac mora siliti kroz drvo tokom sečenja ili kad lanac seče na jednu stranu. Tokom održavanja lanca, uzmite u obzir sledeće:

- Nepravilan ugao turpjanja bočne ploče može da poveća rizik od ozbiljnog povratnog udarca.
- Zazor merača dubine. Suviše nizak povećava potencijal za povratni udarac. Nedovoljno nizak smanjuje sposobnost sečenja.
- Ako zubi udare tvrde predmete, poput eksera i kamenja, ili ako su izjedeni blatom ili peskom na drvetu, odnesite lanac na oštrenje kod kvalifikovanog servisnog tehničara.

NAPOMENA: preporučuje se da oštrenje i održavanje **lanca testere** radi ovlašćeni servisni centar.

TRANSPORTOVANJE I SKLADIŠTENJE

- Ne skladištite ili transportujte motornu testeru dok radi. Uvek odvojite utikač napajanja pre skladištenja ili transporta.
- Uvek stavite navlaku za vodilicu na vodilicu i lanac pre skladištenja ili transportovanja motorne testere. Budite oprezni da biste izbegli oštre zube lanca.
- Temeljno očistite motornu testeru pre no što je uskladištite. Skladištite motornu testeru u zatvorenom prostoru, na svom mestu koje je zaključano i/ili nije dostupno deci.
- Držite dalje od korozivnih sredstava poput baštenskih hemikalija i soli za odmrzavanje.

Zaštita životne sredine



WEEE (otpadna električna i elektronska oprema): ne odlazite električnu opremu, potrošene baterije i punjače u kućni otpad! Odnosite ovaj proizvod u ovlašćeni pogon za reciklažu ili ga odvojite od ostalog smeća radi zasebnog prikupljanja. Električni alati moraju se odneti u ekološki prihvatljiv pogon za reciklažu.

REŠAVANJE PROBLEMA

PROBLEM	UZROK	REŠENJE
Motor se ne pokreće.	<ul style="list-style-type: none"> ■ Utikač napajanja iz futrole za bateriju nije spojen na motornu testeru. ■ Nema električnog kontakta između futrole za bateriju i baterije. ■ Jezičak za zaključavanje nije preklapljen nagore. ■ Prekidač „ON-OFF“ je postavljen na „OFF“. ■ Kočnica lanca je aktivirana. 	<ul style="list-style-type: none"> ■ Umetnite utikač napajanja iz futrole za bateriju u motornu testeru. ■ Odvojite bateriju, proverite kontakte i ponovo instalirajte bateriju. ■ Preklopote jezičak za zaključavanje nagore pre pokretanja. ■ Prebacite prekidač „ON-OFF“ na „ON“. ■ Povucite lopaticu kočnice povratnog udarca lanca unazad prema gornjoj drški da bi došla u radni položaj.
Motorna testera prestaje da radi tokom rukovanja.	<ul style="list-style-type: none"> ■ Baterija ili motorna testera su prevrući. ■ Motorna testera je preopterećena. ■ Previše komadića drveta blokira ventilacioni kanal. ■ Baterija je prazna. 	<ul style="list-style-type: none"> ■ Ohladite bateriju ili motornu testeru ■ Smanjite opterećenje. ■ Očistite prašinu. Pogledajte odeljak „UKLANJANJE PRAŠINE“. ■ Napunite bateriju
Kočnica lanca se ne aktivira	<ul style="list-style-type: none"> ■ Prijavština sprečava potpuno kretanje ručice kočnice povratnog udarca lanca ■ Moguć kvar kočnice lanca 	<ul style="list-style-type: none"> ■ Očistite prijavštinu sa spoljašnjeg mehanizma kočnice lanca ■ Obratite se EGO korisničkoj službi za popravku.
Nema podmazivanja uljem tokom sečenja.	<ul style="list-style-type: none"> ■ Rezervoar ulja za lanac je prazan. ■ Izlaz ulja ka vodilici lanca je blokiran ■ Očvršćavanje ulja na niskoj temperaturi 	<ul style="list-style-type: none"> ■ Sipajte mazivo za vodilicu i lanac. ■ Očistite prašinu iz izlaza ulja. ■ Zamenite odgovarajućim uljem za podmazivanje (prikladnim za nisku temperaturu)
Indikator niskog nivoa ulja bljeska u crvenoj boji ili pokazuje abnormalno svetlo kad je rezervoar za ulje napunjen uljem.	<ul style="list-style-type: none"> ■ Specijalan ugao korišćenja mašine sprečava da ulje iz rezervoara za ulje ulazi u cev za ulje. ■ Kategorija i boja ulja nisu preporučene. ■ Indikator niskog nivoa ulja i dalje bljeska crveno. 	<ul style="list-style-type: none"> ■ Postavite motornu testeru ravno i pokušajte ponovo. ■ Koristite preporučeno prozirnno žuto, prozirnno crveno ili prozirnno ulje ■ Obratite se EGO korisničkoj službi za popravku.
Indikator niskog nivoa ulja ne radi dok u rezervoaru za ulje nema ulja.	<ul style="list-style-type: none"> ■ Kategorija i boja ulja se ne mogu identifikovati. ■ Mala količina ulja još uvek u rezervoaru za ulje ili cevi za ulje ■ Indikator niskog nivoa ulja i dalje ne radi zbog gornjih razloga. 	<ul style="list-style-type: none"> ■ Koristite preporučeno prozirnno žuto, prozirnno crveno ili prozirnno ulje ■ Koristite motornu testeru neko vreme i onda ponovo proverite indikator niskog nivoa ulja ■ Obratite se EGO korisničkoj službi za popravku.

GARANCIJA

EGO POLITIKA GARANCIJE

Posetite veb-lokaciju egopowerplus.eu za potpune uslove i odredbe EGO politike garancije.

SR

PROČITAJTE UPUTSTVO U CIJELOSTI!



PROČITAJTE KORISNIČKI PRIRUČNIK.

SIGURNOSNI SIMBOL

Svrha sigurnosnih simbola je skretanje pažnje na moguće opasnosti. Sigurnosni simboli i njihova objašnjenja zahtijevaju vašu potpunu pažnju i razumijevanje. Simboli upozorenja sami po sebi ne isključuju opasnost. Uputstva i upozorenja koja simboli pružaju nisu zamjena za propisne mjere za prevenciju nesreća.

⚠ UPOZORENJE! Prije upotrebe ovog alata pobrinite se da sva sigurnosna uputstva u ovom korisničkom priručniku, uključujući sve sigurnosne simbole kao što su **“OPASNOST,” “UPOZORENJE,”** i **“OPREZ”** pročitate s razumijevanjem. Zanemarivanje svih uputstava navedenih u nastavku može rezultirati strujnim udarom, požarom i/ili teškim tjelesnim povredama.

ZNAČENJE SIMBOLA

Na ovoj stranici slikovno su prikazani i objašnjeni sigurnosni simboli koji se mogu pojaviti na ovom proizvodu. Prije pokušaja sastavljanja i rukovanja, s razumijevanjem pročitajte sva uputstva na proizvodu i pridržavajte ih se.

SIGURNOSNI SIMBOLI



Simbol upozorenja



Nosite rukavice za teške uslove rada izradene od postojećeg materijala.



Nosite neklizajuću sigurnosnu obuću.



Čuvajte se povratnog udara. - Potrebno je izbjegavati kontakt vrha vodilice s predmetima.



Povratni udar na vrhu vodilice - Kontakt s vrhom može uzrokovati iznenadno pomjeranje vodilice prema gore i nazad, što može rezultirati teškim povredama.



Ovaj proizvod je u skladu s važećim zakonodavstvom Ujedinjenog Kraljevstva.



Zagarantovani nivo zvučne snage.



Ovaj proizvod je u skladu s primjenjivim Direktivama EU.

IPX5

Zaštita od vodenih mlazova



Radi smanjenja opasnosti od povreda, prije upotrebe ovog proizvoda korisnik treba s razumijevanjem pročitati ovaj korisnički priručnik.



Nosite usku odjeću. Nemojte nositi šal, kravatu ili nakit.



Nosite zaštitne naočale uz lice, čepiće za uši ili štitnike za uši i zaštitnu tvrdi kacigu s trakom za bradu.



Držanje objema rukama - Motornom žagom uvijek rukujte objema rukama.



Informacije o vodilici



Otpadni električni proizvodi ne smiju se odlagati s otpadom iz domaćinstva. Odnosite ih u ovlaštenu centar za reciklažu.



V

Volt



Istosmjerna struja

BS

222

TEHNIČKI PODACI

Napon	56 V	
Preporučena radna temperatura:	-15°C-40°C	
Preporučena temperatura skladištenja:	-40°C-70°C	
Optimalna temperatura punjenja	5°C-40°C	
Dužina rezanja	300mm	
Brzina lanca	20m/s	
Korak lanca	3/8" (9,5mm)	
Veličina karike lanca	1,1 mm	
Tip lanca žage	AC1200 (preporučeno) AC1400/AC1401 (kompatibilno) AC1600/AC1601 (kompatibilno)	
Tip vodilice	AG1200 (preporučeno) AG1400/AG1401 (kompatibilno) AG1600/AG1601 (kompatibilno)	
Korak lanca	9,5 mm (3/8")	
Veličina karike lanca	1,1 mm	
Određeni broj zuba pogonskog lančanika	6	
Zapremina spremnika ulja za lanac	250 ml	
Masa (bez kompleta baterija, zaštitne navlake za lanac)	3,5 kg	
Izmjereni nivo zvučne snage L_{WA}	98,8 dB(A) K=3 dB(A)	
Nivo zvučnog pritiska u radnom položaju L_{PA}	88,1 dB(A) K=3 dB(A)	
Zagarantovani nivo zvučne snage L_{WA} (u skladu s Direktivom 2000/14/EZ)	102dB(A)	
Vibracije a_h	Prednji rukohvat	1,73 m/s^2 K= 1,5 m/s
	Glavni rukohvat	2,21 m/s^2 K= 1,5 m/s

- Deklarisane ukupne vrijednosti vibracija izmjerene su u skladu sa standardnom metodom ispitivanja i mogu se primjenjivati za poređenje jednog alata s drugim.

- Deklarisane ukupne vrijednosti vibracija mogu se primjenjivati i u preliminarnoj procjeni izloženosti.

NAPOMENA! Emisija vibracija tokom aktualne upotrebe električnog alata može se razlikovati od deklarirane vrijednosti u kojoj se alat upotrebljavao; Korisnik radi zaštite treba nositi rukavice i štitnike za uši u aktualnim uslovima upotrebe.

OPIS

UPOZNAJTE SVOJU MOTORNU ŽAGU (sl. A1)

1. Lanac žage
2. Ručka kočnice za povratni udar
3. Jezičak za blokadu
4. Glavni rukohvat
5. Okidač za varijabilnu brzinu
6. Ušica
7. Svjetlosni indikator baterije
8. Svjetlosni indikator niskog nivoa ulja
9. Prednji rukohvat
10. Čep spremnika ulja
11. Vodilica
12. Otvor za podmazivanje
13. Lančanik
14. Vijak za zatezanje
15. Sigurnosni prekidač za UKLJUČIVANJE/ ISKLJUČIVANJE
16. Vodeći vijak
17. Matica vodilice
18. Sklop bočnog poklopca
19. Poklopac vijka za podešavanje protoka ulja
20. Poklopac za uklanjanje prašine
21. Mehanizam za izbacivanje
22. Električni kontakti
23. Dugme za oslobađanje baterije
24. Kuka za remen
25. Kopča
26. Traka
27. Sigurnosno uže
28. Prsten 1
29. Kuka za žagu
30. Strujni utikač
31. Prsten 2
32. Zaštitna navlake za lanac
33. Kombinovani ključ

SADRŽAJ PAKOVANJA (SL. A1)

SASTAVLJANJE

POSTAVLJANJE/SKIDANJE VODILICE I LANCA

- UPOZORENJE!** Prije sastavljanja proizvoda ili


BS

obavljanja radova održavanja na proizvodu uvijek odspojite strujni utikač i nosite zaštitne rukavice.

⚠ UPOZORENJE! Pročitajte **sva sigurnosna upozorenja, uputstva, sve ilustracije i specifikacije isporučene s ovim električnim alatom**. Zanemarivanje svih uputstava navedenih u nastavku može rezultirati strujnim udarom, požarom i/ili teškim povredama.

⚠ UPOZORENJE! Vodite računa da naručite vodilicu i lanac žage koji su navedeni u ovom priručniku. Ako to ne učinite, može doći do teških ozljeda.

Sačuvajte sva upozorenja i uputstva za buduće potrebe.

1. Uvjerite se da je ručka kočnice za povratni udar postavljena u položaj .
2. Odmrinite **maticu vodilice (A-17)** u smjeru suprotnom smjeru kretanja kazaljki na satu da skinete **sklop bočnog poklopca (A-18)**.
3. Položite lanac žage kružno na ravnu površinu i ispravite eventualne pregibe. (sl. B1)
4. Stavite pogonske **karike lanca (B-1)** u **žlijeb (B-2)** vodilice tako da se na stražnjoj strani vodilice napravi omča. (sl. B2)
5. Držite lanac u položaju na vodilici i stavite omču oko **lančanika (B-3)** pogonske glave i provjerite sljedeće (sl. B3):
 - a) Pogonske karike lanca naliježu u **zub lančanika (B3)**.
 - b) **Vijak za zatezanje (B-4)** i **vodeći vijak (B-5)** nalaze se u utoru vodilice. **Klin za zatezanje (B-6)** ulegao je u otvor vodilice.

NAPOMENA! Vodite računa da smjerovi strelica na zupcima lanca pile uvijek budu okrenuti prema naprijed (sl. B3).

6. Pogledajte odjeljak "ZATEZANJE LANCA PILE" da budete sigurni da je lanac pravilno sastavljen bez spajanja.
7. Poravnajte dvije **vodeće šipke (B-7)** sklopa bočnog poklopca s odgovarajućim **otvorima (B-8)** na žagi, a zatim pričvrstite sklop bočnog poklopca. (sl. B4)
8. Pritegnite maticu vodilice.

B-1	Pogonske karike	B-5	Vodeći vijak
B-2	Žlijeb	B-6	Klin za zatezanje
B-3	Lančanik	B-7	Vodeće šipke
B-4	Vijak za zatezanje	B-8	Otvori

BS

NAPOMENA! Ako je vodilicu potrebno zamijeniti, skinite sklop bočnog poklopca i ponovo ga postavite s novom vodilicom kako je prikazano na sl. C.

RAD

Prije svake upotrebe pregledajte cijeli proizvod na postojanje oštećenih dijelova, dijelova koji nedostaju ili olabavljenih dijelova, kao što su vijci, matice, matični vijci, itd. Čvrsto pritegnite sve pričvrstne elemente i kapice i nemojte upotrebljavati ovaj proizvod dok se ne zamijene svi dijelovi koji nedostaju ili koji su oštećeni.

⚠ UPOZORENJE! Neki nacionalni propisi mogu ograničiti upotrebu ovog proizvoda.

⚠ UPOZORENJE! Proizvod nemojte upotrebljavati kada ste umorni, bolesni ili pod utjecajem alkohola ili drugih opojnih sredstava.

NAPOMENA! Ako izgubite kontrolu nad proizvodom, na primjer u slučaju povratnog udara, odmah isključite napajanje.

PRIMJENA

Proizvod se može upotrebljavati na kiši.

- Ova motorna žaga posebno je predviđena za rezanje i održavanje drveća.



Ovu žagu smiju upotrebljavati samo osobe koje su posebno obučene za radove održavanja drveća.

NAPOMENA! Preporučujemo da korisnik koji prvi put upotrebljava žagu obaví rezanje trupaca na stalku ili ulagaču za žaganje.

ZATEZANJE LANCA ŽAGE

⚠ UPOZORENJE! Nemojte nikada dodirivati ili podešavati lanac dok motor radi. Lanac žage je vrlo oštar; pri obavljanju radova održavanja na lancu uvijek nosite zaštitne rukavice.

Lanac žage se širi ili skuplja tokom normalnog rada žage. Rezultat toga su promjene u zategnutosti lanca. Tokom rada redovno provjeravajte zategnutost lanca i prema potrebi je prilagodite.

1. Isključite motornu žagu, aktivirajte kočnicu lanca i odspojite strujni utikač.
2. Otпустite maticu vodilice tako da se vodilica može slobodno pomjerati radi predstojećeg podešavanja.
3. Držite vrh vodilice podignut i podešavajte vijak za zatezanje do postizanja sljedećeg:
 - a) Progib lanca na sredini vodilice je oko: 1 - 2 mm (sl. D).
 - b) Deaktivirajte kočnicu lanca i uvjerite se da se lanac može povući duž vodilice s dva prsta.

NAPOMENA! Pažljivo obavite ovaj korak kako biste izbjegli tjelesne povrede. Pošto ovaj istosmjerni motor sadrži magnetski materijal, kada lanac žage pokrenete s dva prsta, osjetit ćete određenu otpornost, u poređenju s konvencionalnom benzinskom motornom žagom. Postupak nije tako lagan kao što slučaj s benzinskom motornom žagom.

4. Držite vrh vodilice podignut i pritegnite maticu vodilice.

NAPOMENA! Ako progib lanca na sredini vodilice nije 1 - 2 mm, ponovo podesite zategnutost lanca.

NAPUNJENJE SPREMNIKA ULJA

1. Odspojite komplet baterija s motorne žage.
2. Motornu žagu položite bočno na čvrstu, ravnu površinu tako da čep spremnika ulja bude okrenut prema gore. Otvorite čep spremnika ulja. Ako je čep previše pritegnut, za otpuštanje čepa upotrijebite glavu s prorezom kombinovanog ključa (u sadržaju isporuke) (sl. E).
3. Pažljivo ulijte ulje u spremnik ulja. Spremnik napunite do donje strane gornjeg ruba. Obrišite višak ulja i zavrnite čep spremnika ulja.

NAPOMENA!

- Motorna žaga nije napunjena uljem u vrijeme kupovine. Prije upotrebe važno je da se spremnik napuni uljem. Tokom rada lanac se automatski podmazuje uljem za lanac.
- To ulje je posebno koncipirano za malo trenje i brže rezove.
- Nemojte nikada upotrebljavati ulja ili druga maziva koji nisu posebno predviđeni za upotrebu za vodilicu i lanac. To može uzrokovati začepljenje sistema ulja, a time i prijevremeno trošenje vodilice i lanca.

PODEŠAVANJE PROTOKA ULJA (sl. F)

- Ova žaga opremljena je **vijkom za podešavanje protoka ulja (F-1)** koji se nalazi na donjoj strani alata i koji se upotrebljava za podešavanje protoka ulja za podmazivanje lanca, vodilice i sistema rezanja. Povećavanje ili smanjivanje protoka ulja obavljajte u smjeru strelica kako je označeno na kućištu.

LED SVJETLOSNI INDIKATOR NA MOTORNOJ ŽAGI

Motorna žaga je opremljena s 2 LED svjetlosna indikatora koji ukazuju na stanje ulja i nivo napunjenosti kompleta baterije.

LED svjetlosni indikator		Značenje	Radnja
Svjetlosni indikator niskog nivoa ulja (A-8)	Treperi crveno.	Nizak nivo ulja	Napunite spremnik ulja.
	Isključeno	Ima ulja.	/
Svjetlosni indikator baterije (A-7)	Svijetli zeleno.	Komplet baterija je napunjen.	/
	Treperi zeleno.	Komplet baterija je skoro prazan i potrebno ga je odmah napuniti.	Napunite bateriju.

PRIČVRŠČIVANJE NOSAČA LEDNE BATERIJE NA POJAS ZA PENJANJE

Ova motorna žaga isporučuje se s nosačem ledne baterije koji se upotrebljava za nošenje kompleta baterija i koji se može pričvrstiti na pojas za penjanje (nije u sadržaju isporuke).

NAPOMENA! Nosač ledne baterije čvrsto pričvrstite na pojas za penjanje prije nego što pojas stavite na sebe.

⚠ UPOZORENJE! Radi izbjegavanja nesreća, potrebno je pripremiti pojas za penjanje s funkcijom brzog otpuštanja.

1. Potražite odgovarajuće mjesto za vješanje nosača ledne baterije na pojas za penjanje. Nosač ledne baterije objesite na pojas za penjanje pomoću **kuke za remen (G-1)** (sl. G1)
2. Omotajte remen oko pojasa za penjanje da pričvrstite nosač ledne baterije (sl. G2 i G3).
3. Pričvrstite dva **prstena (G-2)** sigurnosnog užeta na pojas za penjanje pomoću dvije karabinjer kuke (nisu u sadržaju isporuke), kako je prikazano na sl. G4.

G-1	Kuka za remen	G-2	Prstena
-----	---------------	-----	---------

NAPOMENA!

- Kada se penjete na drvo, pričvrstite prsten 1 i 2 na sigurnosno uže pojasa za penjanje pomoću karabinjer kuka (nisu u sadržaju isporuke) (sl. G5).
- Kada upotrebljavate alat, otkaçite prsten 2 s pojasa za penjanje, držite žagu dvjema rukama i obavite rezanje (sl. G6).

PRIČVRŠČIVANJE ŽAGE NA NOSAČ LEDNE BATERIJE

Pričvrstite **kuku za žagu (H-2)** sigurnosnog užeta na **ušicu (H-1)** (sl. H)

H-1	Ušica	H-2	Kuka za žagu
-----	-------	-----	--------------

POSTAVLJANJE/SKIDANJE KOMPLETA BATERIJA

NAPOMENA! Komplet baterija potpuno napunite prije prve upotrebe.

Postavljanje (sl. I1)

Poravnajte kontakte kompleta baterija s montažnim utorima i komplet baterija zatim gurnite u nosač ledne baterije tako da ulegne u svoje ležište.

Skidanje (sl. I2)

Palcem pritisnite dugme za oslobađanje baterije i skinite komplet baterija.

POKRETANJE/ZAUSTAVLJANJE MOTORNE ŽAGE

Pokretanje

1. Poravnajte oznake "▲" na **strujnom utikaču (J-2)** i **električnoj utičnici motorne žage (J-1)**, a zatim utaknite utikač u motornu žagu tako da ZELENA brtva na utikaču POTPUNO nestane u utičnici (sl. J1).
2. Gurnite prekidač za uključivanje/isključivanje "ON/OFF" u položaj "ON" (sl. J2).
3. Ručku kočnice za povratni udar povucite prema glavnom rukohvatu u položaj
4. Pomjerite **jezičak za blokadu (J-3)** prema naprijed, a zatim pritisnite **okidač za varijabilnu brzinu (J-4)**. Što više povlačite okidač za varijabilnu brzinu, to je brzina rotacije motorne žage viša (sl. J3).

J-1	Električna utičnica	J-3	Jezičak za blokadu
J-2	Strujni utikač	J-4	Okidač za varijabilnu brzinu

Zaustavljanje

1. Za zaustavljanje motorne žage otpustite okidač za varijabilnu brzinu.

NAPOMENA! Motorna žaga nastavit će se okretati kratko vrijeme nakon otpuštanja okidača za varijabilnu brzinu. Vodite računa da izbjegavate kontakt nakon otpuštanja okidača za varijabilnu brzinu i tokom spuštanja motorne žage.

2. Gurnite ručku kočnice za povratni udar naprijed u položaj kočnja "☒".
3. Okrenite prekidač za uključivanje/isključivanje "ON-OFF" u položaj "OFF".

⚠ UPOZORENJE! Strujni utikač uvijek odspojite od motorne žage tokom pauza i nakon završetka radova.

BS

PRIPREMA ZA REZANJE

Propisno držanje rukohvata (sl. K)

- Za maksimalni prihvat i zaštitu nosite neklizajuće rukavice.
- Prednji rukohvat uvijek prihvatite lijevom, a glavni rukohvat desnom rukom.
- Prsti trebaju obuhvatiti rukohvat s palcem savijenim ispod prednjeg rukohvata.

⚠ UPOZORENJE! Nemojte nikada upotrebljavati lijevi (poprečni) prihvat niti položaj koji vaše tijelo ili ruku postavlja preko linije lanca.

⚠ UPOZORENJE! Nemojte rukovati okidnim prekidačem lijevom rukom i držati prednji rukohvat desnom rukom. Kada rukujete motornom žagom nemojte nikada dozvoliti da dio vašeg tijela bude u liniji lanca (sl. L).

PROVJERA SISTEMA PODMAZIVANJA LANCA (sl. M)

NAPOMENA! Provjerite da li je spremnik ulja motorne žage napunjen odgovarajućom količinom ulja za lance.

1. Držite vodilicu iznad svijetle površine.
2. Uključite žagu. Ako sistem podmazivanja lanca propisni radi, na svijetloj površini ćete za 1 minutu vidjeti jasnu liniju ulja.
3. Ako se ulje lanca ne vidi na svijetloj površini, pogledajte odjeljak "PODEŠAVANJE PROTOKA ULJA" kako biste obavili podešavanje.

RAD NA DRVETU

⚠ UPOZORENJE! Kada radite na drvetu ili kada se penjete na drvo, preporučujemo upotrebu pomoćne opreme kao što su nožni stremen i podesiva traka kako biste izbjegli nesreće uslijed njihanja ili prilikom rezanja.

Prije upotrebe provjerite sljedeće:

- Provjerite postoje li tragovi istrošenosti na **lančaniku (N-1)**. Ako su tragovi istrošenosti dublji od 0,5 mm: za zamjenu lančanika obratite se servisnoj službi proizvođača EGO.
- Provjerite i sistem kočnja. Ako su tragovi istrošenosti na **kočionim oblogama (N-2)** neravnomjerni, za zamjenu kočionih obloga koje je potrebno zamijeniti obratite se servisnoj službi proizvođača EGO. (sl. N)

N-1	Lančanik	N-2	Kočiona obloga
-----	----------	-----	----------------

- Pregledajte vodilicu; pogledajte odjeljak **ODRŽAVANJE VODILICE**
- Provjerite lanac žage; pogledajte odjeljak **ODRŽAVANJE LANCA**

- Testirajte kočnicu lanca; pogledajte odjeljak: **SIGURNOSNI UREDAJI ZA ZAŠTITU OD POVRATNOG UDARA NA OVOJ**

MOTORNOJ ŽAGI

- Provjerite upravljačke elemente; pogledajte odjeljak: **POKRETANJE/ZAUSTAVLJANJE MOTORNE ŽAGE**
- Provjerite sistem podmazivanja lanca; pogledajte odjeljak: **PROVJERA SISTEMA PODMAZIVANJA LANCA**

ODRŽAVANJE

ČIŠĆENJE

- Nakon svake upotrebe mekanom četkom očistite naslage s lanca i vodilice. Površinu motorne žage obrišite čistom krpom navlaženom u blagoj sapunici.
- Za temeljito čišćenje uklonite sklop bočnog poklopca, skinite vodilicu i lanac žage, a zatim mekanom četkom temeljito uklonite naslage s vodilice, lanca žage i lančanika na pogonskoj glavi motorne žage.
- Pri zamjeni lanca žage, iz žlijeba vodilice uvijek očistite drveno iverje, prašinu od žage i prljavštinu.

UKLANJANJE PRAŠINE

1. Odspojite strujni utikač, pričekajte da se motorna žaga ohladi, a zatim pritegnite čep spremnika ulja.
2. Aktivirajte kočnicu žage.
3. Upotrijebite kombinovani ključ (u sadržaju isporuke) za otpuštanje vijka **poklopca za uklanjanje prašine (O-1)** da otvorite poklopac (sl. O1).
4. Pomoću komprimiranog suhog zraka očistite piljevinu i iverje koji su se nakupili u rešetki za hlađenje; ispušite ih sa suprotne strane **ulaznog otvora za zrak (O-2)**. (sl. O2)

O-1	Poklopac za uklanjanje prašine	O-2	Ulazni otvor za zrak
-----	--------------------------------	-----	----------------------

ODRŽAVANJE VODILICE

Kada se na vodilici pojave znakovi istrošenosti, skinite je s pogonske glave motorne žage i okrenite je naopako za ponovno postavljanje (sl. P1), čime ćete raspodijeliti trošenje radi maksimalnog radnog vijeka vodilice.

Vodilicu (uključujući i **šine vodilice (P-1)** i **otvor za podmazivanje (P-2)**) je potrebno čistiti svaki dan kada se upotrebljava i provjeriti na postojanje znakova istrošenosti i oštećenja (sl. P2). Stvaranje bridova ili neravnina na šinama vodilice je normalan proces trošenja vodilice. Takve nepravilnosti treba ublažiti turpijom čim se pojave.

Vodilicu s bilo kojim od sljedećih nepravilnosti je potrebno zamijeniti.

Istrošenost unutrašnje strane šina vodilice što omogućuje ležanje lanca sa strana.

- Savijena vodilica.
- Napuknute ili polomljene šine.
- Raširene šine.

Vodilica na vrhu ima lančanik. Lančanik je potrebno sedmično podmazivati mazalicom radi produženja radnog vijeka vodilice (sl. P3 i P4). Okrenite **prednji lančanik (P-3)** kada pumpate **prozirnu žutu, prozirniju crvenu ili prozirniju mast u otvor za podmazivanje (P-4)** dok na cijeli lančanik ne nanese novu mast. U otvor nemojte potiskivati prljavštinu.

P-1	Šine vodilice	P-3	Lančanik
P-2	Otvor za podmazivanje	P-4	Otvor za podmazivanje

ODRŽAVANJE LANCA

Na ovoj žagi upotrebljavajte samo lance s malim povratnim udarom. Lanac s funkcijom brzog rezanja osigurat će smanjenje povratnog udara kada se propisno održava.

Propisno naoštren lanac žage bez napora reže kroz drvo, čak i uz vrlo mali pritisak. Nemojte nikada upotrebljavati tup ili oštećen lanac žage. Tupi rezači lanca žage dovode do povećanog fizičkog naprezanja, povećanog vibracijskog opterećenja, nezadovoljavajućih rezultata rezanja i povećanog trošenja.

Za besprijekorno i brzo rezanje potrebno je propisno održavati lanac. Lanac zahtijeva oštrenje kada je drveno iverje malo i praškasto, kada je lanac potrebno potiskivati kroz drvo tokom rezanja ili kada lanac reže na jednu stranu. Tokom radova održavanja na lancu uzmite u obzir sljedeće:

- Nepravilan ugao turpijanja bočne ploče može povećati rizik od jakog povratnog udara.
- Zazor mjerača dubine. Premala vrijednost povećava mogućnost za povratni udar. Nedovoljno mala vrijednost smanjuje sposobnost rezanja.
- Ako su zubi rezača udarili o tvrde predmete kao što su ekseri ili kamenje ili ako su istrošeni uslijed blata ili pijeska na drvetu, oštrenje lanca prepustite kvalifikovanom servisnom tehničaru.

NAPOMENA! Preporučujemo da radove oštrenja i održavanja **lanca pile** prepustite ovlaštenim servisnim centrima.

TRANSPORT I SKLADIŠTENJE

- Motornu žagu nemojte skladištiti ili transportovati kada

radi. Prije skladištenja ili transporta uvijek odspojite strujni utikač.

- Prije skladištenja ili transporta motorne žage, na vodilicu i lanac uvijek stavite zaštitnu navlaku. Budite oprezni da izbjegnute oštre zube lanca.
- Motornu žagu dobro očistite prije skladištenja. Motornu žagu skladištite u zatvorenim prostorima na suhom mjestu koje je zaključano i/ili nedostupno djeci.
- Pogonsku jedinicu držite podalje od korozivnih sredstava kao što su vrtna hemijska sredstva i soli za odmrzavanje.

Zaštita životne sredine



WEEE (električna i elektronička oprema koja više nije iskoristiva) Električnu opremu, iskorištenu bateriju i punjač nemojte odlagati u kućni otpad! Ovaj proizvod odnesite u ovlašteni centar za reciklažu i time omogućite odvojeno sakupljanje. Električne alate potrebno je vratiti u ekološki prihvatljiv pogon za reciklažu.

OTKLANJANJE PROBLEMA

PROBLEM	UZROK	RJEŠENJE
Motor se ne pokreće.	<ul style="list-style-type: none"> ■ Strujni utikač nosača ledne baterije nije pričvršćen na motornu žagu. ■ Nema električnog kontakta između nosača ledne baterije i baterije. ■ Jezičak za blokadu nije preklapljen. ■ Prekidač za uključivanje/isključivanje "ON-OFF" je u položaju "OFF". ■ Kočnica lanca se aktivira. 	<ul style="list-style-type: none"> ■ Strujni utikač nosača ledne baterije utaknite u motornu žagu. ■ Skinite bateriju, provjerite kontakte i ponovo stavite komplet baterija. ■ Preklopote jezičak za blokadu prije pokretanja. ■ Okrenite prekidač za uključivanje/isključivanje "ON-OFF" u položaj "ON". ■ Ručku kočnice lanca za povratni udar povucite nazad prema gornjem rukohvatu u radni položaj.
Motorna žaga prestaje raditi tokom rada.	<ul style="list-style-type: none"> ■ Komplet baterija je previše vruć ili motorna žaga je previše vruća. ■ Motorna žaga je preopterećena. ■ Previše komadića drveta blokira ventilacijski kanal. ■ Komplet baterija je ispražnjen. 	<ul style="list-style-type: none"> ■ Ohladite komplet baterija ili motornu žagu. ■ Smanjite opterećenje. ■ Očistite prašinu; pogledajte ODJELJAK "UKLANJANJE PRAŠINE". ■ Napunite komplet baterija.
Kočnica lanca se ne aktivira.	<ul style="list-style-type: none"> ■ Naslage sprečavaju puno kretanje ručice kočnice lanca za povratni udar. ■ Mogući kvar kočnica lanca. 	<ul style="list-style-type: none"> ■ Očistite naslage s vanjskog mehanizma kočnice lanca. ■ Za popravak se obratite centru korisničke službe proizvođača EGO.
Nema podmazivanja uljem tokom rezanja.	<ul style="list-style-type: none"> ■ Spremnik ulja za lanac je prazan. ■ Izlazni otvor za ulje vodilice lanca je blokiran. ■ Skrućivanje ulja na niskim temperaturama 	<ul style="list-style-type: none"> ■ Dopunite mazivo za vodilicu i lanac. ■ Očistite prašinu iz ulaznog otvora za ulje. ■ Upotrebljavajte propisno ulje za podmazivanje (prikladno za niske temperature).
Svjetlosni indikator niskog nivoa ulja treperi crveno ili prikazuje neobično svjetlo kada se spremnik ulja puni uljem.	<ul style="list-style-type: none"> ■ Poseban ugao upotrebe motorne žage razlog je zbog čega ulje u spremniku za ulje ne ulazi u cijev za ulje. ■ Kategorija i boja ulja nisu preporučeni. ■ Svjetlosni indikator niskog nivoa ulja i dalje treperi crveno. 	<ul style="list-style-type: none"> ■ Stavite motornu žagu na ravnu površinu i pokušajte ponovo. ■ Upotrebljavajte preporučeno prozirno žuto, prozirno crveno ili prozirno ulje. ■ Za popravak se obratite centru korisničke službe proizvođača EGO.
Svjetlosni indikator niskog nivoa ulja ne radi kada u spremniku ulja nedostaje ulja.	<ul style="list-style-type: none"> ■ Kategoriju i boju ulja nije moguće identificirati. ■ Mala količina ulja i dalje se nalazi u spremniku ulja ili cijevi za ulje. ■ Svjetlosni indikator niskog nivoa ulja i dalje ne iz prethodno navedenih razloga. 	<ul style="list-style-type: none"> ■ Upotrebljavajte preporučeno prozirno žuto, prozirno crveno ili prozirno ulje. ■ Motornu žagu upotrebljavajte izvjesno vrijeme, a zatim ponovo pogledajte svjetlosni indikator niskog nivoa ulja. ■ Za popravak se obratite centru korisničke službe proizvođača EGO.

GARANCIJA

POLITIKA GARANCIJE PROIZVOĐAČA EGO

Za sve odredbe i uslove politike garancije proizvođača EGO posjetite internetsku stranicu egopowerplus.eu.

BS

استكشاف الأخطاء وإصلاحها

المشكلة	السبب	الحل
لا يمكن بدء تشغيل المحرك.	<ul style="list-style-type: none"> ■ قابس الطاقة بجراب البطارية غير مركب في المنشار السلسلي. ■ لا يوجد اتصال كهربائي بين جراب البطارية والبطارية. ■ لسان القفل غير مطوي لأعلى. 	<ul style="list-style-type: none"> ■ أدخل قابس الطاقة بجراب البطارية في المنشار السلسلي. ■ قم بفك البطارية، وافحص التوصيلات، ثم أعد تركيب مجموعة البطارية. ■ اطو لسان القفل لأعلى قبل بدء التشغيل.
	<ul style="list-style-type: none"> ■ مفتاح التشغيل/الإيقاف (ON-OFF) غير مضبوط على وضع الإيقاف «OFF». ■ لم يتم تشييق فرملة السلسلة. 	<ul style="list-style-type: none"> ■ انقل مفتاح التشغيل/الإيقاف (ON-OFF) إلى وضع التشغيل «ON». ■ اسحب ذراع فرملة رد الفعل الارتدادي للسلسلة للخلف ناحية المقبض العلوي إلى أن يصل إلى وضع التشغيل.
المنشار السلسلي يتوقف عن العمل أثناء الاستخدام.	<ul style="list-style-type: none"> ■ مجموعة البطارية أو المنشار السلسلي ساخنان للغاية. ■ هناك حمل زائد على المنشار السلسلي. ■ هناك عدد كبير للغاية من قطع الخشب الصغيرة التي تسد مجرى التهوية. ■ نفذ شحن مجموعة البطارية. 	<ul style="list-style-type: none"> ■ قم بتبريد مجموعة البطارية أو المنشار السلسلي. ■ خفف الحمل. ■ نظف الغبار وفقاً للقسم «إزالة الغبار». ■ اشحن مجموعة البطارية.
لا يتم تشييق فرملة السلسلة	<ul style="list-style-type: none"> ■ العوالق تمنع الحركة الكاملة لمقبض فرملة رد الفعل الارتدادي للسلسلة. ■ خلل وظيفي محتمل في فرملة السلسلة 	<ul style="list-style-type: none"> ■ نظف العوالق عن الآلية الخارجية لفرملة السلسلة. ■ تواصل مع قسم خدمة العملاء بشركة EGO لإصلاح العيب.
لا يوجد تزييت للسلسلة أثناء القطع.	<ul style="list-style-type: none"> ■ خزان زيت السلسلة فارغ. ■ مخرج الزيت بقضيب السلسلة مسدود. ■ الزيت متجمد بفعل انخفاض درجة الحرارة. 	<ul style="list-style-type: none"> ■ التعبئة بزيت القضيب والسلسلة. ■ نظف الغبار الموجود في فتحة الزيت. ■ استخدم زيت التزييت الملائم (المناسب لدرجة الحرارة المنخفضة).
يومض مؤشر انخفاض مستوى الزيت باللون الأحمر أو يضيئ بضوء غير طبيعي بينما خزان الزيت مملوء بالزيت.	<ul style="list-style-type: none"> ■ استخدام الآلة بزواوية معينة قد يتسبب في عدم دخول الزيت الموجود بخزان الزيت إلى أنبوب الزيت. ■ فتحة الزيت ولونه غير موصل بهما. ■ مؤشر انخفاض مستوى الزيت ما زال يومض باللون الأحمر. 	<ul style="list-style-type: none"> ■ ضع المنشار السلسلي على سطح مستوي، وأعد المحاولة. ■ استخدم أحد الزيوت الموصى بها، سواء كان أصفر شفاف أو أحمر شفاف أو شفاف عديم اللون. ■ تواصل مع قسم خدمة العملاء بشركة EGO لإصلاح العيب.
مؤشر انخفاض مستوى الزيت لا يعمل وهناك نقص في مستوى الزيت في خزان الزيت.	<ul style="list-style-type: none"> ■ لا يمكن التعرف على فتحة الزيت ولونه. ■ ما تزال هناك كمية صغيرة من الزيت في خزان الزيت أو أنبوب الزيت. ■ ما زال مؤشر انخفاض مستوى الزيت لا يعمل بفعل الأسباب المذكورة أعلاه. 	<ul style="list-style-type: none"> ■ استخدم أحد الزيوت الموصى بها، سواء كان أصفر شفاف أو أحمر شفاف أو شفاف عديم اللون. ■ استخدم المنشار السلسلي لبعض الوقت، ثم راجع مؤشر انخفاض مستوى الزيت مرة أخرى. ■ تواصل مع قسم خدمة العملاء بشركة EGO لإصلاح العيب.

الضمان

سياسة ضمان EGO

تفضل بزيارة الموقع الإلكتروني egopowerplus.eu للتعرف على الشروط والأحكام الكاملة الخاصة بسياسة ضمان EGO.

النقل والتخزين

- لا تقم بتخزين أو نقل المنشار السلسلي وهو يعمل. احرص دائماً على فصل قابس الطاقة قبل التخزين أو النقل.
- احرص دائماً على وضع غلاف قضيب التوجيه على قضيب التوجيه والسلسلة قبل تخزين المنشار السلسلي أو نقله. تعامل بحذر لتجنب الأسنان الحادة للسلسلة.
- نظف المنشار السلسلي جيداً قبل تخزينه. يكون تخزين المنشار السلسلي داخل المنزل في مكان جاف مغلق و/أو لا يمكن الوصول إليه من قبل الأطفال.
- احتفظ بالمنتج بعيداً عن المواد المسببة للتآكل مثل كيماويات الحديدية وملح إذابة الجليد.

حماية البيئة

- نفايات المعدات الكهربائية والإلكترونية (WEEE) لا تتخلص من المعدات الكهربائية أو البطارية المستهلكة أو الشاحن في النفايات المنزلية! بل توجه بهذا المنتج إلى مركز إعادة تدوير معتمد ليكون متاحاً للفرز بشكل منفرد. تجب إعادة الآلات الكهربائية إلى مرفق إعادة تدوير صديق للبيئة.



P-1	حاجز القضيب	P-3	الترس المسنن
P-2	فتحة التزييت	P-4	فتحة التزييت

صيانة السلسلة

- استخدم سلاسل رد الفعل الارتدادي المنخفض مع هذا المنشار. رد الفعل الارتدادي سيكون أقل مع سلسلة القطع السريعة هذه إذا تمت صيانتها على النحو الملائم.
 - سلسلة المنشار المشحودة جيداً ستقطع الخشب دون عناء، حتى عند تطبيق أقل مستوى من الضغط. لا تستخدم سلسلة منشار غير حادة أو تالفة. لأن القطع بسلسلة منشار غير حادة سيحتاج لجهد بدني أكبر، مع وجود حمل اهتزاز ازي أكبر، ونتائج قطع غير مرضية وتهاالك زائد.
 - للقطع بشكل أكثر سلاسة وسرعة، يجب صيانة السلسلة على النحو الملائم. تحتاج السلسلة للشحذ عندما تكون الرفاقات الخشبية صغيرة وسهلة التقطيت، ويجب دفع السلسلة بالقوة عبر الخشب أثناء القطع، وإلا ستقطع السلسلة على جانب واحد. أثناء صيانة سلسلتك، يجب عليك مراعاة ما يلي:
 - زاوية البرد غير الملائمة للوح الجانبي قد تزيد من خطر حدوث رد فعل ارتدادي عنيف.
 - خلوص مقياس العمق. إذا كان منخفضاً للغاية فهذا يزيد من احتمالية حدوث رد فعل ارتدادي. وإذا لم يكن منخفضاً بما فيه الكفاية سيقلل من قدرة القطع.
 - إذا اصطدمت أسنان القاطع بشيء صلب، مثل المسامير والصخور، أو تأكلت بفعل الطين أو الرمال الموجود على الخشب، يجب شحذ السلسلة بواسطة فني صيانة مؤهل.
- ملاحظة:** من الموصى به أن يكون شحذ سلسلة المنشار وصيانتها من قبل مراكز صيانة معتمدة.

■ افحص تزييت السلسلة وفقاً للقسم ذي الصلة: فحص تزييت السلسلة

الصيانة

التنظيف

- بعد كل استخدام، نظف العوالم عن السلسلة وقضيب التوجيه بفرشاة ناعمة. امسح سطح المشمار السلسلي بقطعة قماش نظيفة مبللة بمحلول صابون خفيف.
- للتنظيف العميق، اخلع تجميعية الغطاء الجانبي، وافصل قضيب التوجيه وسلسلة المشمار، ثم استخدم فرشاة ناعمة لإزالة العوالم تماماً من قضيب التوجيه وسلسلة المشمار والترس المسنن للعمود برأس طاقة المشمار السلسلي.
- احرص دائماً على إزالة الرقاقت الخشبية، وغيار المشمار، والأوساخ عن تجويف قضيب التوجيه أثناء استبدال سلسلة المشمار.

إزالة الغيار

1. أفضل قابس الطاقة، وارك المشمار السلسلي ببرد، ثم اربط غطاء خزان الزيت.
2. تشقق فرملة المشمار
3. استخدم مفتاح الربط ذي الجانبين (مرفق) في فك مسمار غطاء إزالة الغيار (O-1) لفتحه (الشكل O1).
4. نظف غيار المشمار والرقائق المترامية في ريشة التبريد باستخدام الهواء المضغوط الجاف، وأخرجه من مدخل الهواء (O-2) في الجانب المقابل. (الشكل O2).

O-1	غطاء إزالة الغيار	O-2	مدخل الهواء
-----	-------------------	-----	-------------

صيانة قضيب التوجيه

عند ظهور علامات تآكل على قضيب التوجيه، قم بفكّه من رأس طاقة المشمار السلسلي وإعادة تجميعه بشكل عكسي (الشكل P1)، وهو ما سيؤدي إلى توزيع التآكل لتحقيق أقصى عمر للقضيب. يجب تنظيف القضيب (بما في ذلك حواجز القضيب P-1) وفتحة التزييت (P-2) في كل يوم استخدام وفحصه بحثاً عن أي علامات للتآكل والتلف (الشكل P2). تآكل أو ثقب حواجز القضيب من المظاهر الطبيعية لتآكل القضيب. مثل تآكل العيوب يجب تعميمها باستخدام مبرد بمجرد ظهورها. أي قضيب به العيوب التالية يجب استبداله.

تآكل داخل حواجز القضيب تسمح بارتقاء السلسلة للمسارات الجانبية.

■ انثناء قضيب التوجيه.

■ تشقق الحواجز أو انكسارها.

■ تمدد الحواجز.

قضيب التوجيه به ترس مسنن عند طرفه. يجب تشحيم الترسل المسنن أسبوعياً بمحقة تشحيم، وذلك لتمديد عمر قضيب التوجيه (الشكل P3 و P4). أدر الترسل المسنن بالطرف الأمامي (P-3) أثناء ضخ الشمع الأصفر الشفاف أو الأحمر الشفاف أو الشمع الشفاف عديم اللون في فتحة التزييت (P-4) إلى أن يتم تشحيم الترسل المسنن بأكمله بشمع جديد. لا تضع أتربة في الفتحة.

التحضير للقطع

الإمساك السليم بالمقابض (الشكل K)

- احرص على ارتداء قفازات مانعة للانزلاق لتحقيق أقصى قدر من الإمساك والحماية.
- احرص دائماً على الإمساك بالمقبض الأمامي باليد اليسرى، والمقبض الأساسي باليد اليمنى.
- يجب أن تكون الأصابع محيطة بالمقبض، بحيث يكون الإبهام ملتقاً حول المقبض الأمامي.
- ▲ **تحذير:** تجنب الإمساك بالمشمار بقبضة اليد اليسرى (مع تقابل اليدين)، أو اتخاذ أي وضع جسماني قد يجعل جسمك أو ذراعك مقابلاً لخط السلسلة.
- ▲ **تحذير:** لا تقم بتشغيل المفتاح الزنبركي بيدك اليسرى، والإمساك بالمقبض الأمامي بيدك اليمنى. لا تسمح أبداً بتواجد أي جزء من أجزاء جسمك في طريق حركة السلسلة أثناء تشغيل المشمار (الشكل L).

فحص تزييت السلسلة (الشكل M)

ملاحظة: تأكد من ملء خزان زيت المشمار السلسلي بالكمية المناسبة من زيت السلسلة.

1. ثبت قضيب التوجيه فوق سطح فاتح اللون.
2. قم بتشغيل المشمار. سترى خطاً واضحاً من الزيت على السطح فاتح اللون بعد دقيقة واحدة إذا تم تزييت السلسلة كما ينبغي.
3. إذا لم يظهر زيت السلسلة على السطح فاتح اللون، راجع قسم «ضبط تدفق الزيت» لتضبطه على النحو الملائم.

استخدام الآلة في الأشجار

▲ **تحذير:** أثناء العمل أو التسلق، من الموصى به الاستعانة بدعم إضافي، مثل ركاب القدم أو الحبل القصير القابل للضغط لتجنب التعرض لحادث تآرجح أو جروح.

قبل استخدام الآلة، يُرجى مراجعة النقاط التالية:

- افحص علامات التآكل بالترس المسنن للسلسلة (N-1)، فإذا كانت علامات التآكل أعمق عن ٥.٠ مم، تواصل مع وكيل صيانة EGO لاستبدال الترسل المسنن للسلسلة.
- افحص أيضاً نظام الفرامل، فإذا كانت علامات التآكل بوسادة الفرامل (N-2) غير مستوية، تواصل مع وكيل صيانة EGO لاستبدال وسادة الفرامل الواجب تغييرها. (الشكل N)

N-1	الترسل المسنن للسلسلة	N-2	وسادة الفرامل
-----	-----------------------	-----	---------------

■ افحص قضيب التوجيه وفقاً للقسم ذي الصلة: صيانة قضيب التوجيه

- افحص سلسلة المشمار وفقاً للقسم ذي الصلة: صيانة السلسلة
- اختبر فرملة السلسلة وفقاً للقسم ذي الصلة: تجهيزات السلامة ضد رد الفعل الارتدادي بهذا

المتشمار السلسلي

- افحص أدوات التحكم وفقاً للقسم ذي الصلة: بدء تشغيل/إيقاف المتشمار السلسلي

ضبط تدفق الزيت (الشكل F)

■ هذا المنشار مجهز بمسمار لضبط تدفق الزيت (F-1) موجود في الجانب السفلي للألة، وهو يستخدم لضبط تدفق الزيت الخاص بتشحيم السلسلة والقضيب ونظام القطع. يمكنك زيادة تدفق الزيت أو خفضه بحسب اتجاه الأسهم الموضحة على الهيكل.

تثبيت المنشار في جراب البطارية
ركب خطاف المنشار (H-2) الخاص بحزام الأمان المزود بكابل داخلي في الثقب (H-1). (الشكل H)

H-1	ثقب	H-2	خطاف المنشار
-----	-----	-----	--------------

تركيب/خلع مجموعة البطارية

ملاحظة: اشحن مجموعة البطارية بالكامل قبل استخدامها للمرة الأولى.

للتثبيت (الشكل I1)

قم بمحاذاة دعامة مجموعة البطارية مع فتحات التركيب؛ ثم أدخل مجموعة البطارية في الجراب إلى أن ينشك في مكانه.

للخلع (الشكل I2)

اضغط على زر تحرير البطارية بإبهامك لخلع مجموعة البطارية.

بدء تشغيل/إيقاف المنشار السلسلي

لبدء التشغيل

1. قم بمحاذاة علامات «▲» الموجودة في قابس الطاقة (J-2) مع المقبس الكهربائي للمنشار السلسلي (J-1)، ثم أدخل القابس في المنشار السلسلي إلى تختفي العلامة الخضراء بالقابس بأكملها في المقبس (الشكل J1).

2. ادفع مفتاح التشغيل/الإيقاف (ON/OFF) إلى وضع التشغيل «ON» (الشكل J2)

3. اسحب ذراع فرملة رد الفعل الارتدادي للسلسلة ناحية المقبض الأساسي حتى الموضع (J3).

4. حرك لسان القفل (J-3) للأمام، ثم اضغط على الزناد الزنبركي ذو السرعة المتغيرة (J-4). وكلما سحبت الزناد الزنبركي ذو السرعة المتغيرة لأعلى أكثر، كلما زادت سرعة دوران سلسلة المنشار (الشكل J3).

J-1	المقبس الكهربائي	J-3	لسان القفل
J-2	قابس الطاقة	J-4	الزناد الزنبركي ذو السرعة المتغيرة

للإيقاف

1. اترك الزناد الزنبركي ذو السرعة المتغيرة لإيقاف المنشار السلسلي.

ملاحظة: ستواصل سلسلة المنشار دورانها لفترة قصيرة بعد تحرير الزناد الزنبركي ذي السرعة المتغيرة. احرص على تجنب ملامستها بعد تحرير الزناد الزنبركي ذو السرعة المتغيرة، وعند وضع المنشار السلسلي على الأرض.

2. ادفع ذراع فرملة رد الفعل الارتدادي للسلسلة للأمام إلى وضع الفرملة «J3».

3. انقل مفتاح التشغيل/الإيقاف (ON/OFF) إلى وضع الإيقاف «OFF»

تحذير: احرص دائماً على فصل قابس الطاقة من المنشار السلسلي أثناء الاستراحة وبعد الانتهاء من العمل.

مؤشر LED	المعنى	الإجراء
مؤشر انخفاض مستوى الزيت (A-8)	أحمر وامض	نقص في الزيت مطلفاً
مؤشر البطارية (A-7)	أخضر وامض	مجموعة البطارية مشحونة / نفذ شحن مجموعة البطارية تقريباً، واحتاج للشحن على الفور.

تركيب جراب البطارية في ضفيرة الأسلاك الخاصة بالتسليق

يحتوي هذا المنشار السلسلي على جراب بطارية، وهو يستخدم في حمل مجموعة البطارية وينتج للمستخدم تركيب ضفيرة الأسلاك الخاصة بالتسليق (غير مرفقة).

ملاحظة: ثبت جراب البطارية بإحكام في ضفيرة الأسلاك الخاصة بالتسليق قبل ارتداء ضفيرة الأسلاك.

تحذير: يجب تجهيز ضفيرة الأسلاك الخاصة بالتسليق لمنع حدوث أي طوارئ.

1. ابحث عن المكان المناسب لك لتعليق جراب البطارية هذا في ضفيرة الأسلاك الخاصة بالتسليق، ثم قم بتعليقه باستخدام خطاف الحزام (الشكل G-1). (الشكل G1)

2. لف الحزام حول ضفيرة الأسلاك الخاصة بالتسليق لتثبيت جراب البطارية في مكانه (الشكلان G2 و G3).

3. ركب الحلقتين (G-2) بحزام الأمان المزود بكابل داخلي في ضفيرة الأسلاك الخاصة بالتسليق باستخدام حلقيتين معدنيتين مستطيلتين (غير مرفقة)، على النحو الموضح في الشكل G4.

G-1	خطاف الحزام	G-2	الحلقات
-----	-------------	-----	---------

ملاحظة:

■ عند تسليق الشجرة، قم بتركيب الحلقتين 1 و 2 بحزام الأمان المزود بكابل داخلي في ضفيرة الأسلاك الخاصة بالتسليق باستخدام حلقيتين معدنيتين مستطيلتين (غير مرفقة) (الشكل G5).

■ عندما تكون الألة قيد الاستخدام، قم بفك الحلقة 2 من ضفيرة الأسلاك الخاصة بالتسليق، وأمسك المنشار بكلتا يديك لتنفيذ عملية القطع (الشكل G6).

ملاحظة: من الموصى به بالنسبة لمن سيستخدم الآلة للمرة الأولى، كحد أدنى للتدريب، أن يقطع زود الخشب على مسند قطع خشبي أو منجلة.

شد سلسلة المنشار

تحذير: لا تلمس أو تضبط أبدًا السلسلة والمحرك يدور. سلسلة المنشار حادة للغاية؛ ولهذا احرص دائمًا على ارتداء قفازات حماية عند تنفيذ أعمال الصيانة على السلسلة.

تتمدد سلسلة المنشار وتقبض أثناء التشغيل العادي للمنشار. ومن ثم، يتغير شد السلسلة كنتيجة لذلك. افحص شد السلسلة بانتظام أثناء التشغيل، وأعد ضبطه إذا لزم الأمر.

- أوقف تشغيل المنشار السلسلي، وشد قفاز فرملة السلسلة، وافصل قابس الطاقة.
- فك صامولة القضيب، بحيث يمكن لقضيب التوجيه التحرك بحرية كي تنفذ أي عمليات ضبط مطلوبة.
- ارفع طرف القضيب لأعلى، واضبط مسمار الشد إلى أن يحدث ما يلي:
 - ارتخاء السلسلة في منتصف القضيب حوالي: 1 - 2 مم (الشكل D).
 - فك تشييق فرملة السلسلة، مع التأكد من إمكانية شد السلسلة على طول القضيب بإصبعين.

ملاحظة: نفذ هذه الخطوة بعناية لتجنب وقوع إصابات شخصية، فلأن هذا المحرك العامل بالتيار المستمر يحتوي على مواد مغناطيسية، مقارنة بالمنشار السلسلي العادي العامل بالبنزين؛ عند إدراكك لسلسلة المنشار بإصبعين ستشعر بقدر معين من المقاومة. وهذا لن يكون بنفس السلاسة مع المنشار السلسلي العامل بالبنزين.

4. ارفع طرف القضيب لأعلى، وارتبط صامولة القضيب.

ملاحظة: إذا كانت ارتخاء السلسلة في منتصف القضيب ليس 1-2 مم، أعد ضبط شد السلسلة.

ملء خزان الزيت

- افصل مجموعة البطارية من المنشار السلسلي.
- ضع المنشار على جانبه على سطح ثابت مستوي، بحيث يكون غطاء خزان الزيت متجهًا لأعلى. افتح غطاء خزان الزيت. إذا كان محكم الإغلاق، استخدم الرأس المفتوحة لمفتاح الربط ذي الجانبين (مرفق) في فكه (الشكل E).
- صب الزيت برفق في خزان الزيت. املا حتى أسفل عنق الملء. امسح أي كميات زائدة من الزيت، ثم أغلق الفوهة.

ملاحظة:

- المنشار السلسلي لا يكون مملوءًا بالزيت وقت الشراء. من الضروري تعبئة خزان الزيت قبل الاستخدام. يتم تزييت السلسلة تلقائيًا بزيوت السلسلة أثناء التشغيل.
- فهو مصمم خصيصًا لتقليل الاحتكاك والقطع بسرعة أعلى.
- احرص على ألا تستخدم الزيوت أو مواد التشحيم الأخرى غير المصممة خصيصًا للاستخدام مع القضيب والسلسلة. فهذا قد يؤدي إلى انسداد دورة الزيت، وهو ما قد يتسبب في التآكل المبكر للقضيب والسلسلة.

3. ضع سلسلة المنشار في عروة على سطح مستوي، وقم بتسوية أي انثناءات. (الشكل B1)

4. ضع وصلات نقل الحركة (B-1) في تجويف (B-2) قضيب التوجيه، وثبت السلسلة كعروة على الجانب الخلفي لقضيب التوجيه. (الشكل B2)

5. أمسك السلسلة في موضعها على قضيب التوجيه، وضع العروة حول الترس المسمن للسلسلة (B-3) برأس الطاقة، وافحص العناصر التالية (الشكل B3).

a) وصلات نقل حركة السلسلة مستوية على أسنان الترس المسمن للسلسلة (B-3).

b) مسمار الشد (B-4) وقضيب التوجيه (B-5) مثبتان في فتحة قضيب التوجيه. قم بتشييق مسمار الشد (B-6) في فتحة قضيب التوجيه.

ملاحظة: احرص دائمًا على أن يكون اتجاه الأسهم الموجودة بأسنان سلسلة المنشار نحو الأمام (الشكل B3).

6. راجع قسم «شد سلسلة المنشار» للتأكد من تجميع السلسلة كما ينبغي دون وجود انثناءات بها.

7. حاذ عودي التوجيه (B-7) بتجميعة الغطاء الجانبي مع الفتحات (B-8) المعنية في المنشار، ثم ثبت تجميعة الغطاء الجانبي. (الشكل B4)

8. أحكم ربط صامولة القضيب.

B-1	وصلات نقل الحركة	B-5	برغي التوجيه
B-2	تجويف	B-6	مسمار الشد
B-3	الترس المسمن للسلسلة	B-7	أعواد التوجيه
B-4	مسمار الشد	B-8	فتحات

ملاحظة: إذا كنت بحاجة لاستبدال قضيب التوجيه، قم بتفكيك تجميعة الغطاء الجانبي، وأعد تجميعها في قضيب التوجيه الجديد على النحو الموضح في الشكل C.

التشغيل

قبل كل استخدام، افحص المنتج بأكمله بحثًا عن أي علامات للتلف أو عدم وجود أجزاء أو وجود أجزاء مفكوكة، مثل المسامير أو الصواميل أو البراغي أو ما شابه. ارتبط جميع عناصر التثبيت والأغطية بإحكام، ولا تقم بتشغيل هذا المنتج إلا بعد استبدال جميع الأجزاء المقفولة أو التالفة.

تحذير: بعض اللوائح الوطنية قد تحظر استخدام الآلة.

تحذير: عندما تكون متعبًا أو مريضًا أو تحت تأثير المخدرات أو العقاقير الأخرى، يُرجى عدم تشغيل الآلة.

ملاحظة: إذا خرجت الآلة عن السيطرة، مثل حدوث رد فعل ارتدادي، يُرجى إيقاف تشغيلها على الفور.

الاستخدامات

يمكن استخدام هذا المنتج تحت الأمطار.

■ هذا المنشار السلسلي مصمم خصيصًا للجرارات داخل الأشجار وصيانتها.

يجب استخدام هذا المنشار من قبل الأشخاص المدربين خصيصًا على أعمال صيانة الأشجار.



المواصفات

3. لسان القفل
4. المقبض الأساسي
5. الزناد الزنبركي ذو السرعة المتغيرة
6. ثقب
7. مؤشر البطارية
8. مؤشر انخفاض مستوى الزيت
9. المقبض الأمامي
10. غطاء خزان الزيت
11. قضيب التوجيه
12. فتحة التزييت
13. الترس المسنن
14. مسمار الشد
15. مفتاح أمان التشغيل/الإيقاف
16. برغي التوجيه
17. صامولة القضيب
18. تجميع الغطاء الجانبي
19. غطاء مسمار ضبط تدفق الزيت
20. غطاء إزالة الغبار
21. آلية الإخراج
22. الوصلات الكهربائية
23. زر تحرير البطارية
24. خطاف الحزام
25. الإبزيم
26. الحزام
27. الحزام المزود بكابل داخلي
28. الطوق 1
29. خطاف المنشار
30. قابس الطاقة
31. الطوق 2
32. غلاف السلسلة
33. مفتاح ربط جانبيين

قائمة المحتويات (الشكل A1)

التجميع


تجميع/تفكيك القضيب والسلسلة


⚠ تحذير: احرص دائماً على فصل قابس الطاقة، وارتداء قفازات الحماية قبل تجميع المنتج أو إجراء أعمال الصيانة عليه.

⚠ تحذير: اقرأ جميع تحذيرات السلامة والتعليمات والرسوم التوضيحية والمواصفات المرفقة مع هذه الآلة. عدم اتباع جميع التعليمات الواردة أدناه قد يؤدي إلى حدوث صدمة كهربائية أو نشوب حريق أو التعرض للإصابة، أحدها أو جميعها.

⚠ تحذير: احرص على طلب شراء القضيب وسلسلة المنشار المدرج في هذا الدليل. لأن عدم اتباع تلك التعليمات قد يؤدي لإصابات خطيرة.

احتفظ بجميع التحذيرات والتعليمات للرجوع إليها في المستقبل.

1. تأكد من ضبط ذراع فرملة رد الفعل الارتدادي للسلسلة على الوضع .
2. فك صامولة القضيب (A-17) عكس اتجاه عقارب لخلع تجميع الغطاء الجانبي (A-18).

الجهد الكهربائي	56 فولت 
درجة حرارة التشغيل الموصى بها:	15- 40 درجة مئوية
درجة حرارة التخزين الموصى بها:	40- 70 درجة مئوية
درجة حرارة الشحن المثالية	5 - 40 درجة مئوية
طول القفص	300 مم
سرعة السلسلة	20 م/ثانية
المسافة بين أسنان السلسلة	8/3 بوصة (9.5 مم)
مقياس السلسلة	1.1 مم
نوع سلسلة المنشار	AC1200 (موصى به) AC1401/AC1400 (متوافق) AC1601/AC1600 (متوافق)
نوع قضيب التوجيه	AG1200 (موصى به) AG1401/AG1400 (متوافق) AG1601/AG1600 (متوافق)
سلسلة ناسان نيد مقاسها	8/3 بوصة (9.5 مم)
سلسلة سايكم	1.1 مم
دومعل نيسملا سرتنلا ددحملا ددعلا	6
سلسلة تيجر ناخذ ميسد	250 مل
الوزن (بدون مجموعة البطارية، وغطاف السلسلة)	3.5 كجم
مستوى قوة الصوت المُقدَّر L _{WA}	98.8 ديسيبل (A)
مستوى ضغط الصوت في وضع التشغيل L _{PA}	88.1 ديسيبل (A) 3=K ديسيبل (A)
مستوى قوة الصوت المضمنون L _{WA} (وفقاً للمعيار 2000/14/EC)	102 ديسيبل (A)
الاهتزاز a _h	المقبض الأمامي
	المقبض الأساسي
	1.73 م/ثانية ² K=1.5 م/ثانية ² 2.21 م/ثانية ² K=1.5 م/ثانية ²

■ القيمة الكلية للاهتزاز الموضحة تم قياسها وفقاً لطريقة اختبار قياسية وقد تستخدم لمقارنة أداة بأخرى؛

■ كما يمكن استخدام القيمة الكلية للاهتزاز الموضحة في التقييم التمهيدي للتعرض.

ملاحظة: قد تختلف انبعاثات الاهتزاز أثناء الاستخدام الفعلي للألة العاملة بالطاقة عن القيمة المعلنة التي يتم استخدام الآلة فيها؛ ولحماية مشغل الآلة، ينبغي على المستخدم ارتداء قفازات وواقيات للأذن في ظروف الاستخدام الفعلية.

الوصف

تعرف على المنشار السلسلي (الشكل A1)

1. سلسلة المنشار
2. ذراع فرملة رد الفعل الارتدادي للسلسلة

جميع التعليمات!

اقرأ دليل التشغيل



رموز السلامة

الغرض من رموز السلامة هو جذب انتباهك إلى المخاطر المحتملة. رموز السلامة والشروح المصاحبة لها تستحق اهتمامك وفهمك الدقيق. تحذيرات كل رمز، بنفسها، لا تمنع وقوع أي خطر. التعليمات والتحذيرات التي تمنحك إياها لا تعد بديلاً عن تطبيق الإجراءات الملائمة لمنع وقوع الحوادث.

⚠ تحذير: احرص على قراءة وفهم جميع تعليمات السلامة في دليل التشغيل هذا، بما في ذلك جميع رموز تنبيهات السلامة، مثل «خطر»، و«تحذير» و«تنبيه» قبل استخدام هذه الآلة. عدم اتباع جميع التعليمات الواردة أعلاه قد يؤدي إلى حدوث صدمة كهربائية أو نشوب حريق أو التعرض للإصابة الشخصية، أحدها أو جميعها.

معنى الرمز

هذه الصفحة تصف وتشرح رموز السلامة التي قد تظهر على هذا المنتج. اقرأ جميع التعليمات المذكورة على الآلة وافهمها واتبعها قبل محاولة تشغيل الآلة وتشغيلها.

رموز السلامة

للحد من خطر الإصابة، يجب على المستخدم قراءة وفهم دليل التشغيل قبل استخدام هذا المنتج.		تنبيه سلامة
احرص على ارتداء قفازات مخصصة للعمل الشاق مصنوعة من مواد مثبنة		احرص على ارتداء قفازات مخصصة للعمل الشاق مصنوعة من مواد مثبنة
احرص على ارتداء نظارات حماية ثابتة بإحكام، وسدادات أو أغطية للأذن، وقبعة سلامة صلبة مزودة بشرط يمر تحت الذقن.		احرص على ارتداء حذاء سلامة مانع للانزلاق
احرص على ارتداء حذاء سلامة مانع للانزلاق		احذر من رد الفعل الارتدادي - يجب تجنب ملامسة طرف قضيب التوجيه مع أي شيء.
الإسلاك بكتنا الديدن - احرص دائماً على استخدام كلتا يديك عند تشغيل المنشار السلسلي.		رد الفعل الارتدادي لطرف قضيب التوجيه - قد تتسبب ملامسة الطرف في تحرك قضيب التوجيه بشكل مفاجئ لأعلى ولأسفل، وهو ما قد يؤدي إلى وقوع إصابات شخصية.
المعلومات عن قضيب التوجيه.		هذا المنتج متوافق مع تشريعات المملكة المتحدة المعمول بها.
لا يجب التخلص من الأجهزة الكهربائية المستهلكة في النفايات المنزلية. توجه بالجهاز إلى مركز إعادة تدوير معتمد.		مستوى قوة الصوت المضمون.
فولت V		هذا المنتج متوافق مع توجيهات شهادة الجودة الأوروبية (CE) المعمول بها.
تيار مستمر		الحماية ضد نفثات الماء IPX5

איתור וטיפול בבעיות

בעיה	פתרון הסיבה	פתרון
המנוע איננו מתחיל את פעולתו.	<ul style="list-style-type: none"> מתג המתח של נרתיק הסוללה איננו צמוד למסור החשמלי. לא מתבצע חיבור חשמלי בין נרתיק הסוללה לסוללה. לשון הנעילה לא מתקפלת. מתג ה-"הפעלה-כיבוי" נמצא במצב "כבוי". בולם השרשרת פועל. 	<ul style="list-style-type: none"> הכניסו את מתג המתח של נרתיק הסוללה אל תוך המסור החשמלי. נתקו את הסוללה, בדקו את החיבורים והתקינו מחדש את מארז הסוללה. קפלו את לשון הנעילה לפני ההתחלה. העבירו את כפתור ה-"הפעלה-כיבוי" למצב "פועל". משכו את דוושת הבלימה לתגובה חזקה לאחור של השרשרת לאחור אל עבר הידית העליונה כאשר אתם מגיעים אל עמדת ההפעלה.
המסור החשמלי מפסיק את פעולתו בעת ההפעלה.	<ul style="list-style-type: none"> מארז הסוללה או המסור החשמלי חמים מדי. ישנו עומס יתר של המסור החשמלי. מספר גדול מדי של גושי עץ חוסם את תעלת האוורור. קיבולת מארז הסוללה ריקה 	<ul style="list-style-type: none"> קרו את מארז הסוללה או את המסור החשמלי הורידו את העומס. נקו את האבק; עיינו בחלק „הסרת אבק”. הטעינו את מארז הסוללה
בולם השרשרת איננו פועל	<ul style="list-style-type: none"> אשפה מונעת תנועה מלאה של ידית הבלימה לתגובה חזקה לאחור של השרשרת פעולה לא מתאימה אפשרית של בולם השרשרת 	<ul style="list-style-type: none"> נקו שאריות ממנגנון בולם השרשרת החיצוני צרו קשר עם מחלקת שירות הלקוחות של EGO לתיקונים.
ללא סיכת שמן בעת החיתוך.	<ul style="list-style-type: none"> מיכל השמן של השרשרת ריק. יציאת השמן של מוט השרשרת חסומה מיצוק שמן בטמפרטורה נמוכה 	<ul style="list-style-type: none"> סרגל מיליו ושימון השרשרת. נקו את האבק ביציאת השמן. החליפו את שמן הסיכה המתאים (מתאים לטמפרטורה נמוכה)
אינדיקטור כמות השמן הנמוכה מהבהב בצבע אדום או מראה אור לא נורמלי כאשר ממלאים את מיכל השמן בשמן.	<ul style="list-style-type: none"> זווית לשימוש מיוחד של המכשיר גורמת לשמן במיכל השמן לא להיכנס אל צינור השמן. הקטגוריה והצבע של השמן אינם מומלצים. אינדיקטור כמות השמן הנמוכה עדיין מהבהב בצבע אדום. 	<ul style="list-style-type: none"> הניחו את המסור החשמלי על גבי משטח שטוח ונסו שנית. השתמשו בשמן צהוב שקוף, אדום שקוף או שקוף כפי שמומלץ צרו קשר עם מחלקת שירות הלקוחות של EGO לתיקונים
אינדיקטור כמות השמן הנמוכה אינו עובד כאשר ישנה כמות נמוכה של שמן במיכל השמן.	<ul style="list-style-type: none"> לא ניתן לזהות את הקטגוריה והצבע של השמן. כמות קטנה של שמן עדיין נמצאת במיכל השמן או בצינור השמן אינדיקטור כמות השמן הנמוכה עדיין לא עובד בגלל אחת מן הסיבות הבאות. 	<ul style="list-style-type: none"> השתמשו בשמן צהוב שקוף, אדום שקוף או שקוף כפי שמומלץ השתמשו במסור החשמלי לזמן מה ולאחר מכן הסתכלו שוב על אינדיקטור כמות השמן הנמוכה צרו קשר עם מחלקת שירות הלקוחות של EGO לתיקונים.

אחריות

מדיניות האחריות של EGO

אנא בקרו באתר egopowerplus.eu עבור התנאים וההתניות השלמים של מדיניות האחריות של EGO.

הודעה: מומלץ לחדד ולבצע עבודות תחזוקה עבור **שרשרת המסור** באמצעות מרכזי שירות מוסמכים.

הובלה ואחסון

- אל תאחסנו או תובילו את המסור החשמלי כאשר הוא פועל. נתקו תמיד את מתג המתח בעת אחסון או הובלה.
- הניחו תמיד את דן המוט המנחה על המוט המנחה והשרשרת לפני אחסון או הובלה של המסור החשמלי. היו זהירים והימנעו ממגע עם השיניים החדות של השרשרת.
- נקו את המסור החשמלי ביסודיות לפני אחסונו. אחסנו את המסור החשמלי בתוך הבית, במקום יבש אשר רחוק מהישג ידם של ילדים.
- הרחיקו מחומרים הגורמים לקורוזיה כגון כימיקלים לגינה ומלחים מסירי קרח.

הגנה על הסביבה

WEEE (זריקה של ציוד חשמלי ואלקטרוני) - אין לזרוק ציוד חשמלי, מטעני סוללות וסוללות ביחד עם אשפה ביתית! קחו מוצרים אלו למרכז מחזור מוסמך וודאו שהם זמינים לאיסוף בנפרד. יש להחזיר כלים חשמליים אל מתקן מחזור המתאים לסביבה.



תחזוקה של המוט המנחה

כאשר המוט המנחה מראה סימני בלאי, פרקו אותו מראש המתח של המסור החשמלי וסובבו אותו להרכבה מחדש (איור P1) ובמקרה זה הבלאי יופץ לחיי מוט מקסימליים.

יש לנקות את המוט (כולל את **מסילות המוט (P-1)** ואת **חור השימון (P-2)**) בכל יום שימוש ולבדוק עליו סימני בלאי או נזק (איור P2). רפידה או שרפה של מסילות המוט מהווים סימני בלאי נורמליים. כאשר אלו מתרחשים חש לשייף אותם בעזרת פצירה. יש להחליף מוט בעל אחד מן הליקויים הבאים.

סימני בלאי בתוך מסילות המאפשר לשרשרת לעבור מעבר לצדדים.

■ מוט מנחה מעוקל.

■ מסילות סדוקות או שבורות.

■ מסילות אשר התרחבו.

למוט המנחה ישנו גלגל שיניים בקצהו. יש לשמן את גלגל השיניים בכל שבוע עם מזרק חומר סיכה על מנת להאריך את חיי המוט המנחה (איור P3 ו-P4). סובבו את **גלגל שיני האף (P-3)** בעוד אתם מזרמים את **השמן הצהוב השקוף, האדום השקוף או השקוף** אל **תוך חור השימון (P-4)** עד אשר לכל גלגל השיניים יש שמן חדש. אין לדחוף את הלכלוך אל תוך החור.

P-1	מסילות מוט	P-3	גלגל שיניים
P-2	חור שימון	P-4	חור שימון

תחזוקת השרשרת

השתמשו רק בשרשראות בעלות תגובה חזקה לאחר נמוכה עבור מסור זה. השרשרת הותכת במהירות תספק הפחתה של התגובות החזקות לאחר כאשר ישנה תחזוקה מתאימה.

שרשרת מסור מחודדת כראוי חותכת דרך העץ ללא מאמץ, אפילו אם מופעל מעט לחץ. לעולם אין להשתמש בשרשרת ניזוקה או קהה. חיתוך בשרשרת קהה גורם למתח פיזי גבוה מאוד, עומס רטט מוגבר, תוצאות חיתוך לא מספקות ובלאי מוגבר.

לחתוך חלק ומהיר, יש לבצע תחזוקה מתאימה לשרשרת. יש לחדד את השרשרת כאשר חתכי העץ הם קטנים ואבקתיים, יש להפעיל לחץ על השרשרת בעת החיתוך דרך העץ על מנת שהשרשרת לא תחתוך לצד אחד בלבד. בעת ביצוע פעולות תחזוקה לשרשרת המסור, קחו בחשבון את הבאות:

- זווית כריתה לא נכונה של הלוחית הצדדית יכולה להגדיל את הסיכון לתגובה חזקה לאחר חמורה.
- פינוי מד עמוק נמוך מדי מגביר את הפוטנציאל לתגובה חזקה לאחר. לא נמוך מספיק מפחית את יכולת החיתוך.
- אם שיני החותך פגעו בעצמים קשים, כגון מסמרים ואבנים, או אם הן באו במגע עם בוצ' או חול אשר היו על העץ, חדדו את השרשרת בעזרת טכני שירות מוסמך.

לפני השימוש, אגא בדקו את הנקודות הבאות:

■ בדקו את סימני הבלוש על גבי גלגל שיני השרשרת (N-1). אם סימני הבלאי עמוקים יותר מ-0.5 מ"מ, צרו קשר עם סוכן השירות EGO שלכם על מנת להחליף את גלגל השיניים.

■ בדקו גם את מערכת הבלימה, אם סימני הבלאי על קו הבלימה (N-2) אינם שווים, צרו קשר עם סוכן השירות EGO שלכם על מנת להחליף את קו הבלימה. (איור N)

N-1	גלגל שיני השרשרת	N-2	קו הבלימה
-----	------------------	-----	-----------

■ בדקו את המוט המנחה; ראו חלק: תחזוקה של המוט המנחה

■ בדקו את שרשרת המסור; ראו חלק: תחזוקת השרשרת

■ בדקו את בולם השרשרת; ראו חלק: התקני בטיחות לתגובה חזקה לאחר על גבי

מסור חשמלי זה

■ בדקו את הבקורות; ראו חלק: הפעלה/כיבוי של המסור החשמלי

■ בדקו את סיכת השרשרת; ראו חלק: בדיקה של סיכת השרשרת

תחזוקה

ניקיון

■ לאחר כל שימוש נקו את שאריות מן השרשרת והמוט המנחה עם מברשת רכה. נגבו את שטח שרשרת המסור על מטלית נקיה אשר הוטבלה בתמיסת סבון עדינה.

■ עבור ניקיון עמוק, הסירו את מכסה ההרכבה הצדדי, הורידו את המוט המנחה ואת שרשרת המסור ולאחר מכן השתמשו במברשת דקה על מנת להסיר חלקי אבק מן המוט המנחה, שרשרת המסור וגלגל שיני ההנעה על גבי הראש החשמלי של המסור החשמלי.

■ נקו תמיד שאריות ענפים ועץ, נסורת ולכלוך מחריץ המוט המנחה בעת החלפת שרשרת המסור.

הסרת אבק

- נתקו את מתג המתח, אפשרו למסור החשמלי להתקרר והדקו את מכסה מיכל השמן.
- הפעילו את בולם המסור
- השתמשו במברג משולב (ניתן) על מנת לשחרר את הבורג של המכסה להסרת אבק (O-1) על מנת לפתוח אותו (איור O1).
- נקו את האבק ואת שאריות אשר הצטברו בסנפיר הקירור על ידי שימוש באוויר יבש דחוף, נשפו אותו מן הצד הנגדי של פתח כניסת האוויר (O-2). (תמונה O2).

O-1	מכסה הסרת אבק	O-2	פתח כניסת אוויר
-----	---------------	-----	-----------------

J-1	שקע חשמלי	J-3	לשון נעילה
J-2	מתג מתח	J-4	הדק למהירויות מגוונות

ליכוי

1. שחררו את הדק למהירויות מגוונות על מנת לכבות את המכשיר החשמלי.

הודעה: שרשרת המסור תמשיך להסתובב לזמן קצר לאחר השחרור של ההדק למהירויות מגוונות. היזהרו והימנעו ממגע לאחר שחרור ההדק למהירויות מגוונות וכאשר מניחים את המסור החשמלי.

2. דחפו את דושת הבלימה לתגובה חזקה לאחר לעמדת בלימה "S".

3. העבירו את כפתור ההפעלה/כיבוי למצב "כבוי"

⚠ אזהרה: נתקו תמיד את מתג המתח מן המסור החשמלי בעת הפסקות ולאחר סיום העבודה.

הכנה לחיתוך

אחיזה נכונה של הידיות (איור K)

■ לבשו כפפות לא מחליקות לאחיזה והגנה מקסימליות.

■ אייחזו תמיד את הידית הקדמית עם היד השמאלית ואת הידית העיקרית עם היד הימנית.

■ על האצבעות להקיף את הידית, עם האגודל מלופף סביב הידית הקדמית.

⚠ אזהרה: לעולם אין לאחוז באחיזה הפוכה (ימין במקום שמאל), או בכל אחיזה אחרת אשר תעמיד את הידיים או את חלקי הגוף שלכם בקו השרשרת.

⚠ אזהרה: אין להפעיל את מתג ההדק עם היד השמאלית שלכם ולאחוז את הידית הקדמית עם היד הימנית שלכם. לעולם אל תניחו לכל חלק של הגוף שלכם להיות בקו השרשרת בעת הפעלה של המסור החשמלי (איור L).

בדיקה של סיכת השרשרת (איור M)

הודעה: הבטיחו שמיכל הדלק של המסור החשמלי מולא בכמות המתאימה של שמן שרשרת.

- החזיקו את המוט המנחה מעל למשטח הצבוע.
- הפעילו את המסור. אתם תוכלו לראות קו ברור של השמן על המשטח הצבוע קלות לאחר דקה אחת, אם סיכת השרשרת פועלת כהלכה.
- אם שמן השרשרת לא נראה על גבי המשטח הצבוע קלות, עיינו בחלק „כוונון זרם השמן” על מנת לכוונו אותו.

הפעלה בתוך הפעלה

⚠ אזהרה: בעת העבודה או הטיפוס, מומלץ להשתמש בתמיכה הנוספת, כגון משורת כף רגל, הנקשרת בשרוך על מנת למנוע נדנדו או תאונות חיתוך.

3. מזגו בזירות את השמן אל תוך מיכל השמן. מלאו עד לחלק התחתון של צוואר המילוי. נגבו את יתרת השמן וסיגרו אותו.

הודעה:

- בעת הרכישה המסור החשמלי איננו מלא בשמן. חשוב מאוד למלא את מיכל השמן לפני השימוש. השרשרת משומנת באופן אוטומטי עם שמן שרשרת בעת הפעלה.
- הוא מיועד במיוחד לספק חיוך נמוך יותר וחיתוך מהיר יותר.
- לעולם אין להשתמש בשמן או חומרי סיכה אחרים אשר לא עוצבו במיוחד לשימוש על גבי המוט והשרשרת. הדבר עלול להוביל למערכת שמן חסומה, דבר שעלול להוביל לסימני בלאי מוקדם של המוט והשרשרת.

כונן זרם השמן (איור F)

■ מסור זה מצויד בבורג כונן זרם שמן (F-1), הממוקם בחלק התחתון של המכשיר ונעשה בו שימוש לכונן את זרם השמן עבור שימון השרשרת, המוט ומערכת החיתוך. הגדלה או הפחתה של זרם השמן בכיוון החצים כפי שמסומן על גבי תא האחסון.

אינדיקטור לד על גבי המסור החשמלי

המסור החשמלי מצויד בשני אינדיקטורי לד המראים את מצב השמן ואת מצב הטעינה של מארז (י) הסוללה.

אינדיקטור לד		פירוש	פעולה
אינדיקטור כמות שמן נמוכה (A-8)	אור אדום מהבהב	מחסור בשמן	מלאו את מיכל השמן
	כבוי	יש שמן	/
אינדיקטור סוללה (A-7)	אור ירוק	למארז הסוללה יש מתח	/
	אור ירוק מהבהב	מארז סוללה זה כמעט מרוקן ויש להטעין אותו מיד.	הסוללה הטעינו את הסוללה

הצמדת נרתיק הסוללה אל רתמת הטיפוס

מסור חשמלי זה מגיע עם נרתיק סוללה, הוא נועד לנשיאת מארז הסוללה ומאפשר את ההצמדה אל רתמת הטיפוס (לא ניתנת).

הודעה: הדקו את נרתיק הסוללה באופן הדוק אל רתמת הטיפוס לפני הרכישה של רתמת הטיפוס.

▲ אזהרה: יש להכין מראש את רתמת הטיפוס עם פונקציית השחרור המהיר על מנת למנוע מצב חירום.

1. חפשו נקודה מועדפת עבור תליית נרתיק סוללה זה אל רתמת הטיפוס, תלו את נרתיק הסוללה על גבי רתמת הטיפוס על ידי שימוש ב**ו החגורה (G-1)**. (איור G1)

2. סובבו את החגורה מסביב לרתמת הטיפוס על מנת לקבוע את נרתיק הסוללה במקומו (איורים G2-G3).

3. הצמידו את שתי **הטבעות (G-2)** של חבק הבטיחות אל רתמת הטיפוס על ידי שימוש בשתי טבעות חיבור (לא ניתנות), כפי שניתן לראות באיור G4.

G-1	חגורה	G-2	טבעות
-----	-------	-----	-------

הודעה:

- בעת הטיפוס על העץ, הצמידו את טבעות 1 ו-2 של חבק הבטיחות אל רתמת הטיפוס על ידי שימוש בשתי טבעות חיבור (לא ניתנות) (איור G5).
- כאשר המכשיר נמצא בשימוש, הסירו את טבעת 2 מרתמת הטיפוס והחזיקו את המסור בשתי ידיים על מנת לבצע את החיתוך (איור G6).

הבטחת המסור אל נרתיק הסוללה

חברו את **ו המסור (H-2)** של חבק הבטיחות אל העינית (H-1). (איור H)

H-1	עינית	H-2	מסור
-----	-------	-----	------

התקנה/הסרה של מארז הסוללה

הודעה: הטעינו לגמרי את מארז הסוללה לפני השימוש בו בפעם הראשונה.

להתקנה (תמונה I1)


יישרו את העורקים המורמים של מארז הסוללה עם חריצי ההרכבה ולאחר מכן החליקו את מארז הסוללה אל נרתיק הסוללה עד שהוא נמצא בעמדתו.

להסרה (איור I2)

לחצו על כפתור שחרור הסוללה עם האגודל שלכם והוציאו את מארז הסוללה.

הפעלה/כיבוי של המסור החשמלי

הפעלה

1. יישרו את סימני ה- "▲" על **מתג המתח (J-2)** ועל **השקע החשמלי (J-1)** של המסור החשמלי, ואז הכניסו את התקע אל תוך המסור החשמלי עד אשר החותם הירוק על התקע נעלם במלואו אל תוך השקע (איור J1).
2. העבירו את כפתור ההפעלה/כיבוי למצב "פועל" (איור J2).
3. משכו את דוושת הבלימה לתגובה חזקה לאחור לעבר הידית העיקרית אל עמדה .
4. הזיזו את **לשון הנעילה (J-3)** קדימה ולאחר מכן לחצו על **ההדק למהירויות מגוונות (J-4)**. ככל שתמשכו יותר כלפי מעלה את ההדק למהירויות מגוונות, כך תגדל מהירות הסיבוב של שרשרת המסור (איור J3).

הערה: אם המכשיר יצא משליטה, כגון הדף חוזר, יש לכבות אותו מיד.

יישום

ניתן להשתמש במוצר בגשם.

■ המסור החשמלי מיועד במיוחד עבור פעולת עיצוב עצים ועבודות תחזוקה.

המסור יהיה בשימוש רק על ידי אנשים אשר הוכשרו במיוחד לבצע עבודות תחזוקה על עצים.



הודעה: אנו ממליצים למשתמש במסור בפעם הראשונה לבצע לפחות כמה ניסיונות לחיתוך ענפים על גבי מתקן עץ או עריסת עץ.

מתיחת שרשרת המסור

⚠ אזהרה: לעולם אין לגעת או לכוון את השרשרת כאשר המנוע פועל. שרשרת המסור חדה מאד; לבשו תמיד כפפות מגן בעת ביצוע כל עבודות תחזוקה במסור החשמלי. שרשרת המסור מתרחבת או מתכווצת בעת הפעלה רגילה של המסור. כתוצאה מכך, מתח השרשרת משתנה. בדקו באופן סדיר את מתח השרשרת וכוונו אותו בעת הצורך.

1. כבו את המסור החשמלי, הפעילו את בולם השרשרת ונתקו את מתג המתח.
2. שחררו את אום המוט, כך שהמוט המנחה יוכל לנוע בחופשיות לכוון עתיד.
3. החזיקו את אף המוט כלפי מעלה וכוונו את בורג המתח עד לקיומה של אחת מן הנקודות הבאות:
 - a) שקיעת השרשרת במרכז המוט היא בערך: 2-1 מ"מ (איור D).
 - b) שחררו את בולם השרשרת, הבטיחו שניתן למשוך את השרשרת לאורך המוט בשתי אצבעות.

הודעה: בצעו צעד זה בהזירות על מנת למנוע פציעות אישיות, בגלל שמנוע DC זה כולל חומרים ממגנטיים, בניגוד לשרשרת מסור רגילה עם בנזין, כאשר אתם מריצים את שרשרת המסור באמצעות שתי אצבעות, אתם תרגישו מידה מסוימת של התנגדות. זה איננו חלק כפי שקורה בשרשרת מסור עם בנזין.

4. החזיקו את אף המוט והדקו את אום המוט.

הודעה: אם שקיעת השרשרת במרכז המוט איננה 2-1 מ"מ, כווננו מחדש את מתח השרשרת.

מילוי מיכל השמן

1. נתקו את מארז הסוללה מהמסור החשמלי.
2. מקמו את המסור החשמלי על הצד, על גבי משטח מוצק ושטוח כך שמסכה מיכל השמן פונה כלפי מעלה. פתחו את מסכה מיכל השמן. אם הוא הדוק מדי, השתמשו בראש החריץ על מפתח הברגים המשולב (הניתן) על מנת לשחרר אותו (איור E)

שימרו את כל האזהרות וההוראות לעיון עתיד.

1. הבטיחו שדווש הבלימה לתגובה חזקה לאחר נמצאת בעמדה .
 2. הוציאו את אום המוט (A-17) נגד כיוון השעון והסירו את מסכה ההרכבה הצדדי (A-18).
 3. הניחו את שרשרת המסור בלולאה על משטח שטוח ויישרו כל עיקול. (איור B1)
 4. הניחו את קישורי ההנעה (B-1) אל חריץ (B-2) המוט המנחה ועשו מן השרשרת לולאה בצידו האחורי של המוט המנחה. (איור B2)
 5. החזיקו את השרשרת במקומה על גבי המוט המנחה ומקמו את הלולאה מסביב לגלגל שיני השרשרת (B-3) של ראש המתח ובדקו את הפרטים הבאים (איור B3):
 - a) קישורי הנעת השרשרת נמצאים בשיניים של גלגל שיני השרשרת (B-3).
 - b) בורג המתיחה (B-4) והבורג המנחה (B-5) נמצאים בחריץ המוט המנחה. יתד המתיחה (B-6) מופעל בתוך החור של המוט המנחה.
- הודעה:** וודאו שכיוון החצים הנמצאים על גבי שיני השרשרת פונה תמיד קדימה (איור B3).
6. עיינו בחלק „מתיחת שרשרת המסור” על מנת להבטיח שהשרשרת מורכבת כהלכה ללא עטיפות.
 7. יישרו את שני המוטות המנחים (B-7) על גבי מסכה ההרכבה הצדדי עם החורים (B-8) המתאימים במסור ולאחר מכן הרימו את מסכה ההרכבה הצדדי. (איור B4)
 8. הדקו את אום המוט.

B-1	קישורי הנעה	B-5	בריח מנחה
B-2	חריץ	B-6	יתד מתיחה
B-3	גלגל שיני השרשרת	B-7	מוטות מנחים
B-4	בורג מתיחה	B-8	חורים

הודעה: אם יש צורך להחליף את המוט המנחה, פרקו את מסכה ההרכבה הצדדי והרכיבו אותו מחדש עם המוט המנחה החדש כפי שניתן לראות באיור C.

הפעלה

לפני כל שימוש יש לבדוק את המוצר כולו מפני חלקים פגומים, חסרים, או רופפים כגון ברגים, אומים, בריחים וכד'. הדקו היטב את כל המהדקים והמכסים ואל תפעילו את המוצר עד שלל החלקים החסרים או הפגומים יוחלפו.

⚠ אזהרה: תקנות ארציות מסוימות עשויות להגביל את השימוש במכשיר.

⚠ אזהרה: אין להפעיל את המכשיר כאשר אתם עייפים, חולים, או תחת השפעת אלכוהול או סמים אחרים.

מפרטים

תיאור

הכירו את המסור החשמלי שלכם (איור A1)

1. שרשרת מסור
2. דוושית הבלימה לתגובה חזקה לאחור
3. לשון נעילה
4. ידית ראשית
5. הדק למהירות מגוונות
6. עינית
7. אינדיקטור סוללה
8. אינדיקטור כמות שמן נמוכה
9. ידית קדמית
10. מכסה מיכל שמן
11. מוט מנחה
12. חור שימון
13. גלגל שיניים
14. בורג מתיחה
15. מתג בטיחות הפעלה-כיבוי
16. בריח מנחה
17. אום מוט
18. מכסה הרכבה צדדי
19. מכסה בורג כוונן זרם השמן
20. מכסה הסרת אבק
21. מנגנון פליטה
22. חיבורים חשמליים
23. כפתור שחרור הסוללה
24. חגורה
25. אבזם
26. רצועה
27. חבק
28. טבעת 1
29. חוט מסור
30. מתג מתח
31. טבעת 2
32. נדן שרשרת
33. מברג משולב

רשימת אריזה (איור A1)

הרכבה

הרכבה/פירוק של המוט והשרשרת

⚠ אזהרה: תמיד יש לנתק את מתג המתח וללבוש כפפות מגן לפני הרכבה או ביצוע של עבודות תחזוקה על המוצר.

⚠ אזהרה: קראו את כל אזהרות הבטיחות, את ההוראות, התמונות והמפרטים המסופקים ביחד עם מכשיר חשמלי זה. אי מילוי כל ההוראות המופיעות למטה עלול לגרום להלם חשמלי, שרפה ו/או פציעה חמורה.

⚠ אזהרה: הקפידו להזמין את המוט ושרשרת המסור המפורטים במדריך זה. אי הקפדה על כך עשויה לגרום לפציעה חמורה.

וולטז'	56V	
טמפרטורת הפעלה מומלצת:	-15°C-40°C	
טמפרטורת אחסון מומלצת:	-40°C-70°C	
טמפרטורת טעינה אופטימלית	5°C-40°C	
אורך חיתוך	300 מ"מ	
מהירות שרשרת	20 מ'/שנייה	
צובט שרשרת	8/3 אינץ' (9.5 מ"מ)	
מד שרשרת	1.1 מ"מ	
סוג שרשרת מסור	AC1200 (מומלץ) AC1401/AC1400 (מתאים) AC1601/AC1600 (מתאים)	
	סוג מוט מנחה	AG1200 (מומלץ) AG1401/AG1400 (מתאים) AG1601/AG1600 (מתאים)
		תרשר הבוג
תרשר לדוג		1.1 מ"מ
לגלג יניש לש בוקן רפסמ	6	
עינב פיניש		
תרשר נמש לכמ תלוביק	250 ל"מ	
משקל (ללא מארז סוללה, נדן שרשרת)	3.5 ק"ג	
רמת עוצמת קול נמדדת L_{WA}	98.8 dB(A) K=3 dB(A)	
	רמת לחץ קול בעמדת עבודה L_{PA}	88.1 dB(A) K=3 dB(A)
רמת עוצמת קול מבטחת L_{WA} (בהתאם ל-2000/14/EC)	102 dB(A)	
רטר a_n	ידית קדמית	1.73 מ'/שנייה ² K=1.5
	ידית אחורית	2.21 מ'/שנייה ² K=1.5

■ ערך הרטר הכללי המוצהר נמדד בהתאם לשיטת בדיקה סטנדרטית וניתן להשתמש בו על מנת להשוות ציוד אחד עם ציוד אחר;

■ ניתן להשתמש בערך הרטר הכללי המוצהר בהערכה ראשונית של חשיפה.

הודעה: פליטת הרטר בעת השימוש המעשי בכלי יכולה להיות שונה מן הערך המוצהר כאשר הכלי נמצא בשימוש; על מנת להגן על המפעיל, על המשתמש ללבוש כפפות ומגני אוזניים בעת השימוש למעשה.

כל ההוראות!

קראו את מדריך ההוראות

מל בטיחות

מטרתם של סימני הבטיחות היא למשוך את תשומת לבכם אל סכנות אפשריות. סימני הבטיחות וההסברים שלהם דורשים את תשומת הלב וההבנה המלאות שלכם. סימני הבטיחות בעצמם לא ימנעו כל סכנה. ההוראות והאזהרות אותן הם מספקים לא תחלפנה נקיטת אמצעי מניעה מתאימים בעת תאונה.

⚠ אזהרה: וודאו שאתם קוראים ומבינים את כל הוראות הבטיחות המופיעות במדריך זה למשתמש, כולל את כל סימני התרעות הבטיחות כגון **”סכנה”**, **”אזהרה”**, ו- **”זהירות”** לפני השימוש במכשיר זה. אי מילוי אחר כל ההוראות המופיעות למטה יכול לגרום אחריו שוק חשמלי, שרפה ו/או פציעות חמורות.

פירוש הסימן

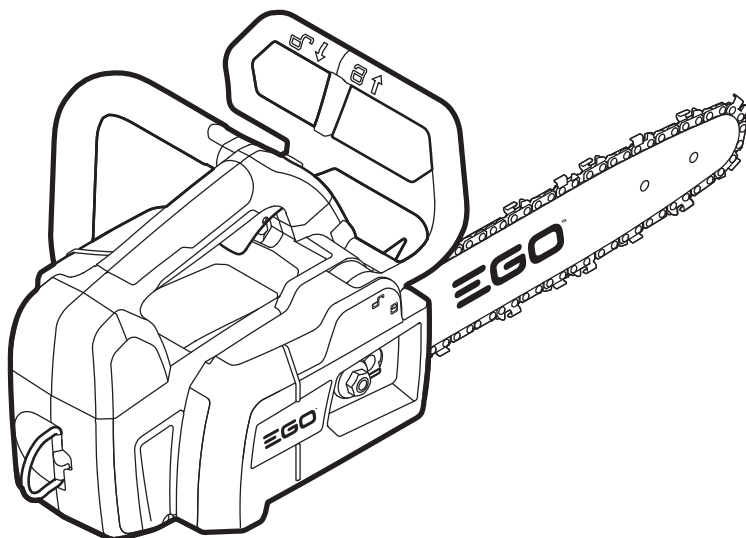
עמוד זה מציין ומתאר את סימני הבטיחות העשויים להופיע על גבי המוצר. קראו, הבינו ועקבו אחר ההוראות המופיעות על המכשיר לפני כל ניסיון להרכיב ולהשתמש בו.

סימני בטיחות

<p>על מנת להפחית את הסיכון לפציעות, על המשתמש לקרוא ולהבין את המדריך למשתמש לפני השימוש במוצר זה.</p>		<p>התראת בטיחות </p>
<p>לבשו בגדים שאינם רופפים. אין ללבוש צעפים, עניבות או תכשיטים</p>		<p>לבשו כפפות לעומס כבד העשויות מחומר בר-קימה </p>
<p>יש ללבוש משקפיים מתאימות, אטמי אזניים או מחממי אזניים וכובע קשה הקשור ברצועת סנטר</p>		<p>נעלו נעליים בטוחות שאינן מחליקות </p>
<p>החזקה בשתי הידיים - תמיד עשו שימוש בשתי הידיים בעת הפעלת המסור החשמלי.</p>		<p>היו זהירים מפני תגובה חזקה לאחור - יש להימנע מכל מגע של כף עצם עם קצה מוט המנחה </p>
<p>המידע של המוט המנחה.</p>		<p>קצה מוט מנחה לתגובה חזקה לאחור - מגע עם הקצה עלול לגרום למוט המנחה לזוז בפתאומיות כלפי מעלה ואחורה, דבר העלול לגרום לפציעה חמורה </p>
<p>אין לזרוק מוצרים חשמליים כחלק מאשפה ביתית. הביאו את המכשיר למרכז מחזור מוסמך.</p>		<p>מוצר זה הוא בהתאם לחוקים הרלוונטיים בבריטניה. </p>
<p>V וולט</p>		<p>רמת עוצמת קול מובטחת. </p>
<p>זרם ישיר</p>		<p>מוצר זה הנו בהתאם לתקנות ה-CE הרלוונטיות. </p>
		<p>הגנה מפני זרנוקי מים IPX5 </p>

EGO™

PRO X



CSX3000

מסור ידית עליונה אלחוטי עם סוללת
ליתיום יון של 56 וולט

HE

المنشار اليدوي العلووي اللاسلكي ببطارية ليثيوم-
أيون 56 فولت

AR

